

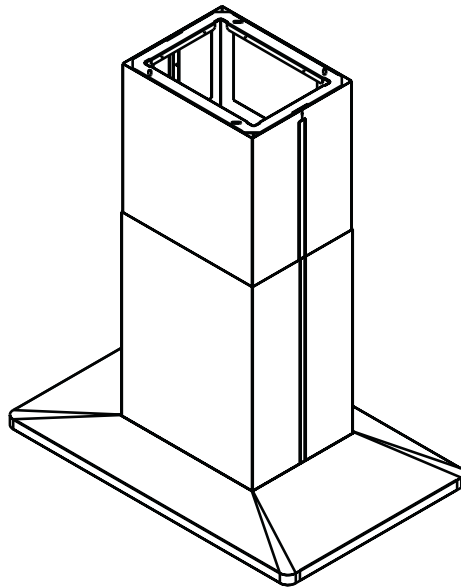


OWNER'S GUIDE - Range Hood

PLHV42P8CC

GUIDE DE L'UTILISATEUR - Hotte de cuisine

MANUAL PARA EL PROPIETARIO - Campana extractora



**READ AND SAVE THESE INSTRUCTIONS
LISEZ ET CONSERVEZ CES INSTRUCTIONS
LEER Y GUARDAR ESTAS INSTRUCCIONES**



| | |
|---------------------------|-----------|
| Contents | 2 |
| Table des matières | 12 |
| Indice | 23 |

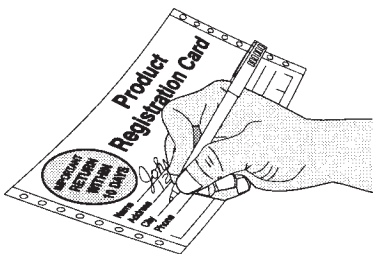
Contents

| | |
|-------------------------------------|-----|
| Product Registration | 2 |
| Important Safety Instructions | 3 |
| Installation | 4-8 |
| Use and Care | 9 |
| Hood Cleaning | 10 |
| Lights Replacement | 10 |
| Warranty | 11 |

Product Registration

Register your Product

The self-addressed **PRODUCT REGISTRATION CARD** should be filled in completely, signed and returned to the Frigidaire Canada.



This Owner's Guide contains general operating instructions for your range hood and feature information for several models. Your range hood **may not** have all the described features.

Note: The instructions appearing in this Owner's Guide are not meant to cover every possible condition and situation that may occur. Common sense and caution must be practiced when installing, operating and maintaining any appliance.

Thank you for choosing this appliance. The information contained within this Owner's Guide will instruct you on how to properly operate and care for your range hood. Please read through the information contained in your literature pack to learn more about your new appliance.

Record Your Model and Serial Numbers

Record in the space provided below the model and serial numbers found on the serial plate located on the right hand side of the range hood.

Model Number: _____

Serial Number: _____

Date of Purchase: _____

Important Safety Instructions

READ AND SAVE THESE INSTRUCTIONS

Take care when using cleaning agents or detergents.
Suitable for use in household cooking area

CAUTION - To reduce risk of fire and to properly exhaust air, be sure to duct air outside – Do not vent exhaust air into spaces within walls or ceilings or into attics, crawl spaces, or garages.

CAUTION - For General Ventilating Use Only. Do Not Use To Exhaust Hazardous Or Explosive Materials And Vapors.

WARNING – TO REDUCE THE RISK OF FIRE, ELECTRIC SHOCK, OR INJURY TO PERSONS, OBSERVE THE FOLLOWING:

- a. Use this unit only in the manner intended by the manufacturer. If you have questions, contact the manufacturer.
- b. Before servicing or cleaning unit, switch power off at service panel and lock the service disconnecting means to prevent power from being switched on accidentally. When the service disconnecting means cannot be locked, securely fasten a prominent warning device, such as a tag, to the service panel.

WARNING – TO REDUCE THE RISK OF A RANGE TOP GREASE FIRE:

- a. Never leave surface units unattended at high settings. Boilovers cause smoking and greasy spillovers that may ignite. Heat oils slowly on low or medium settings.
- b. Always turn hood ON when cooking at high heat or when flambeing food (i.e. Crepes Suzette, Cherries Jubilee, Peppercorn Beef Flambee’).
- c. Clean ventilating fans frequently. Grease should not be allowed to accumulate on fan or filter.
- d. Use proper pan size. Always use cookware appropriate for the size of the surface element.

WARNING – TO REDUCE THE RISK OF INJURY TO PERSONS IN THE EVENT OF A RANGE TOP GREASE FIRE, OBSERVE THE FOLLOWING:

- a. SMOTHER FLAMES with a close-fitting lid, cookie sheet, or metal tray, then turn off the burner. BE CAREFUL TO PREVENT BURNS. If the flames do not go out immediately, EVACUATE AND CALL THE FIRE DEPARTMENT.
- b. NEVER PICK UP A FLAMING PAN – You may be burned.
- c. DO NOT USE WATER, including wet dishcloths or towels – a violent steam explosion will result.
- d. Use an extinguisher ONLY if:
 1. You know you have a Class ABC extinguisher, and you already know how to operate it.
 2. The fire is small and contained in the area where it started.
 3. The fire department is being called.
 4. You can fight the fire with your back to an exit.

WARNING – TO REDUCE THE RISK OF FIRE, ELECTRIC SHOCK, OR INJURY TO PERSONS, OBSERVE THE FOLLOWING:

- a) Installation work and electrical wiring must be done by qualified person(s) in accordance with all applicable codes and standards, including fire-rated construction.
- b) Sufficient air is needed for proper combustion and exhausting of gases through the flue (chimney) of fuel burning equipment to prevent back drafting. Follow the heating equipment manufacturer’s guideline and safety standards such as those published by the National Fire Protection Association (NFPA), and the American Society for Heating, Refrigeration and Air Conditioning Engineers (ASHRAE), and the local code authorities.
- c) When cutting or drilling into wall or ceiling, do not damage electrical wiring and other hidden utilities.
- d) Ducted fans must always be vented to the outdoors.

WARNING - TO REDUCE THE RISK OF FIRE, USE ONLY METAL DUCTWORK.

WARNING - TO REDUCE THE RISK OF FIRE OR ELECTRIC SHOCK, DO NOT USE THIS FAN WITH ANY SOLID-STATE SPEED CONTROL DEVICE.



! WARNING

Electrical Shock Hazard - Can result in serious injury or death.
Disconnect appliance from electric power before servicing.
If equipped, the fluorescent light bulb contains small amounts of mercury which must be recycled or disposed of according to Local, State, and Federal Codes.

Installation

FOR RESIDENTIAL USE ONLY
NOT TO BE INSTALLED OVER GAS GRILLS
PLEASE READ ENTIRE INSTRUCTIONS BEFORE PROCEEDING.
INSTALLATION MUST COMPLY WITH ALL LOCAL CODES.

IMPORTANT: Save these Instructions for the Local Electrical Inspector's use.

INSTALLER: Please leave these Instructions with this unit for the owner.

OWNER: Please retain these instructions for future reference.

Safety Warning: Turn off power circuit at the service entrance and lock out panel, before wiring this appliance.

Requirement: 120 V AC, 60 Hz. 15 or 20 A

Dimensions - Table 1

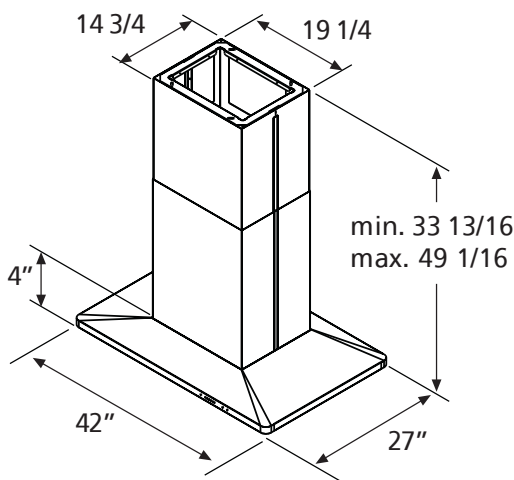


Figure 1*

Weight: 86 pounds

Diameter of Transition 8"

Diameter of exhaust Duct required 8"

Note: All dimensions are shown in inches.

* Dimensions are given from base of hood to ceiling, and include clearance required for installation.

Considerations before installing Hood

1. For the most efficient air flow exhaust, use a straight run or as few elbows as possible.
CAUTION: Vent unit to outside of building, only.
2. If allowed in your area, use metallic flex ducting **only** to connect rigid duct directly to transitions.
3. COLD WEATHER installations should have an additional backdraft damper installed to minimize backward cold air flow and a nonmetallic thermal break to minimize conduction of outside temperatures as part of the ductwork. The damper should be on the cold air side of the thermal break. The break should be as close as possible to where the ducting enters the heated portion of the house.
4. Hood installation height above cooktop is specified in Figure 2. Be sure that your hood model fits your installation.

Installation

Tools required for installation
 Screw driver (pozidrive n°2 , torx 10 and 20)
 Allen spanner 4mm
 Shifting spanner 10mm
 pipe wrench $\frac{3}{8}$
 Electric drill with twist bit \varnothing 10 mm

K = Kitchen Height
 C = Counter Height (36" standard)
 P = Height of Hood Bottom above counter not less than 30"
 A = Canopy Height
 H = Hood height your installation
 $H = K - C - P$
 S = Chimney Structure Height, your installation.
 $S = H - A$

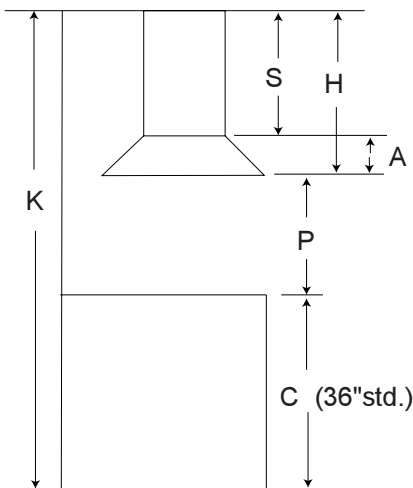


Figure 2

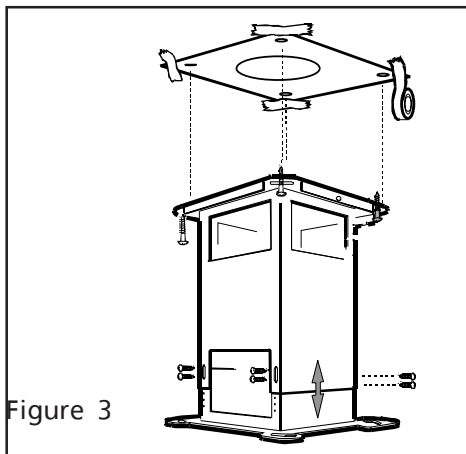


Figure 3

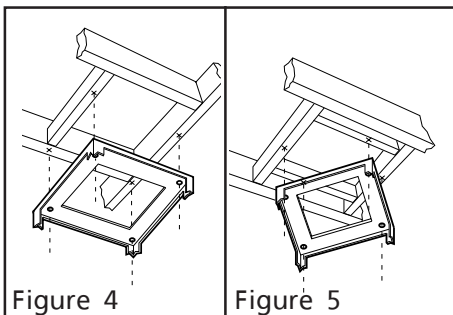


Figure 4

Figure 5

Pre-Installations Calculations (see Figure 2)

1. a) Select a hood preference height P (see Figure 2) that is comfortable for the user not less than 30".
- b) Calculate Hood height your installation H (see Figure 2). $H = K - C - P$.
- c) Confirm that H is within the range of min to max H found for your hood. If not adjust your installation.
- d) Calculate Chimney structure height S (use formulas in Figure 2, and check dimensions of your hood). Save this calculation for use later in the installation.

Preparation of Mounting Surface - Installing supports above ceiling drywall.

Note: Take into consideration the hood depth; your hood could be much deeper than the cooktop.

2. Mark center lines of cooktop or range on ceiling above. Use centerlines marked on ceiling to position the mounting template. Note location of hood front, side, and mounting holes indicated on template.
3. Remove and save template. Cut and remove ceiling drywall. Install suitable length 2" x 4" lumber between joists to provide chimney mounting points as shown in Fig. 4 and 5. Use template for dimensions and required clearance. Make sure to affix the added lumber firmly and level. Consult a professional if you have difficulties or your installation is unique. Consult template and Figures 3, 4, 5.
Note the weight of the appliance. (see Table1).
4. Install an 8" exhaust duct. Female end shall be 4-1/2" below finished ceiling and securely fastened to joists. Do not use duct smaller than the transition.
5. Install 1/2" electrical conduit in location marked on template and extend length S from ceiling.
6. Install drywall around duct and conduit; then refinish ceiling.

Installation

Appliance Installation

(Note: two people may be required for proper installation).

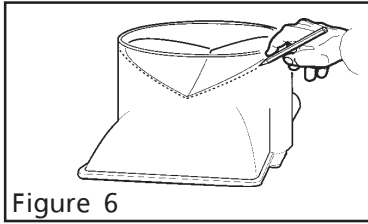


Figure 6

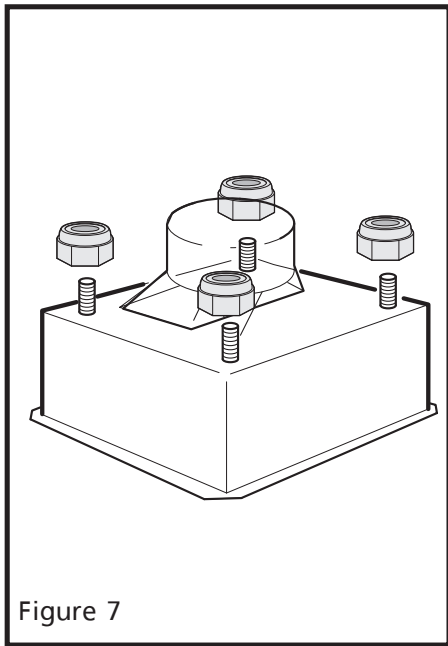


Figure 7

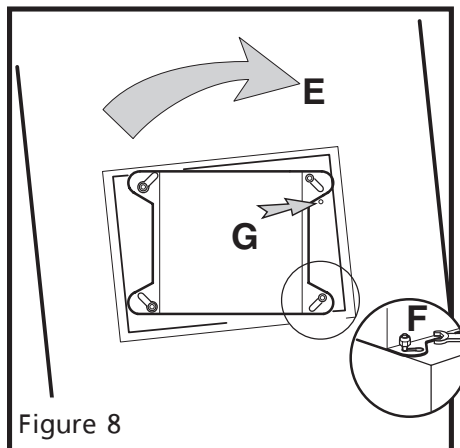


Figure 8

7. Install transition to top of hood (if removed for shipping). Snap damper into transition, foam tape up, with firm pressure at either end. Mark onto exterior of transition the 'V' location of the damper within. See Figure 6.

Note: Duct screws can ONLY go below this line.

8. Adjust chimney mounting structure to **S** dimension as determined in Step 1, page 5. Use 2 screws per attachment leg. Do not fasten to ceiling now.

9. Set chimney mounting structure on top of hood canopy. Attach nuts loosely. See Figure 7 and 8.

10. Fit duct piece on transition so that top end is 5-1/2" below top of chimney structure, male end up.

11. Remove chimney structure from hood canopy.

12. **Install Ducting.** Fasten duct to transition with screws and tape per code. Loosely fasten starter collar (included) flush to top of duct. Note: screws must not hamper the damper (see 8. above for screw location). Loosely fasten starter collar (included) flush to bottom of duct.

13. **To install Chimney Structure** to ceiling, use a 10mm or adjustable wrench or flat head screwdriver. Drill pilot holes into ceiling. Attach mounting structure to joists with the 4 lag screws provided. (Keep 1/2" conduit inside structure.) See Figure 3.

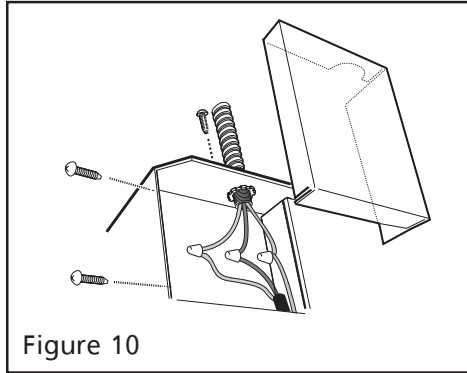
14. **To fasten the canopy** use a 10mm or adjustable wrench. Affix nuts to top of canopy.

Do not tighten. Raise canopy up to chimney structure and twist in place. See Figure 8. Tighten nuts securely.

15. **Ducting for all units:** There should be no more than 1" gap between canopy ducting and house ducting. Adjust starting collar over both ducts. Tighten collar. Fasten duct with screws and tape per code. Make final angular adjustment to unit at ceiling if necessary, then securely tighten 4 ceiling lag screws if not already tightened.

Installation

Wiring to Power Supply



WARNING!
ELECTRICAL GROUNDING INSTRUCTIONS
 THIS APPLIANCE IS FITTED WITH AN ELECTRICAL JUNCTION BOX WITH 3 WIRES, ONE OF WHICH (GREEN/YELLOW) SERVES TO GROUND THE APPLIANCE. TO PROTECT YOU AGAINST ELECTRIC SHOCK, THE GREEN AND YELLOW WIRE MUST BE CONNECTED TO THE GROUNDING WIRE IN YOUR HOME ELECTRICAL SYSTEM, AND IT MUST UNDER NO CIRCUMSTANCES BE CUT OR REMOVED.

Warning: Turn off power circuit at the service panel before wiring this unit. 120 VAC, 15 or 20 Amp circuit required.

16. Remove j-box cover as shown in Figure 10.
17. Remove the knockout and install the strain relief (conduit) connector (1/2") in junction box.
18. Run 3 wires; black, white and green (#16 AWG) in 1/2" conduit from service panel to junction box.
19. Connect black wire from service panel to black or red in junction box, white to white and green to green-yellow. See Figure 10.
20. Close junction box cover, check all light bulbs to make sure they are secure in their sockets, then turn power on in service panel and check lights and blower operation per Care & Use section of this manual and install filters.

Final assembly

For final Chimney Cover installation, DO NOT USE ELECTRIC SCREW DRIVER.

21. Fit the nuts with fixing hooks supplied inside the top and bottom sections of the chimney covers at all the rectangular slots. Figure 11-12.
22. Join the two top sections of the chimney covers to cover the chimney structure. Screw the two sections together with 4 screws (2 each side- see the plan diagram for joining the two sections). Figure 11.
23. Fix the covers to the structure, near the ceiling, with two screws (one each side). Figure 11.

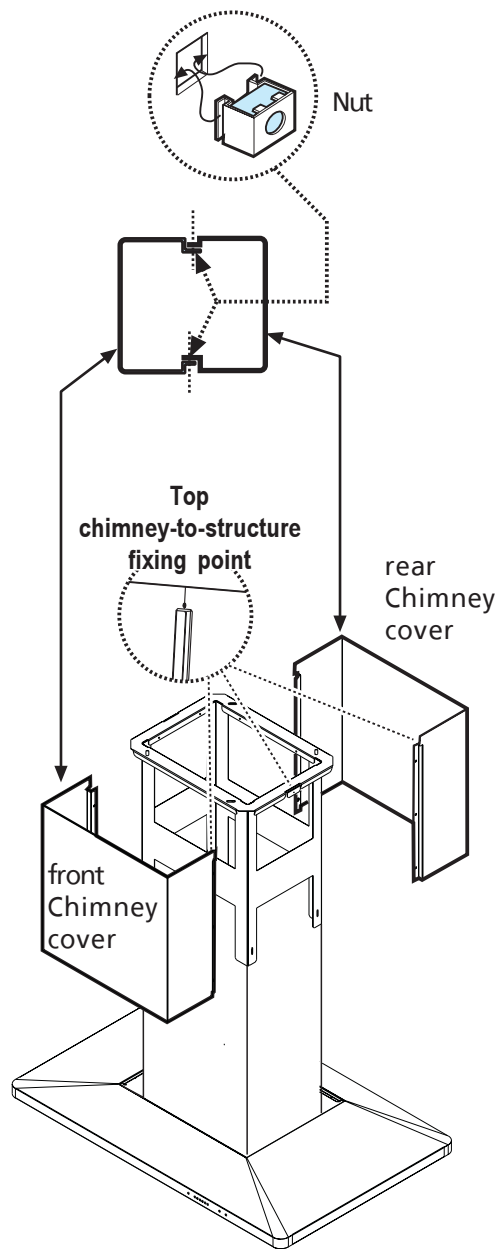


Figure 11

Installation

24. Join the two bottom sections of the chimney covers to cover the chimney structure using 6 screws (3 each side, see the plan diagram for joining the two sections). Figure 12.

25. Slide down the bottom section of the covers in its seat so that it completely covers the motor compartment and electrical connection box. Figure 12.

26. Apply the 2 tabs (supplied) to cover the fixing points of the bottom flue (CAUTION! THE BOTTOM FLUE TABS ARE THE NARROWER AND SHALLOWER ONES).

The wider and deeper tabs are those used for the top flue, and must be cut to size. Figure 13.

Attention!

Tabs must be fixed using the double sided adhesive tape supplied (two segments each tab should be used!):

Cut the e tape into 8 segments, then remove the protection covering from both sides and apply the segments close to the screws that fix the chimney flues to the structure.

NOTE: Do not overtighten and deform metal.

Turn the **main** power on again at the central electrical panel and check for correct hood operation.

27. Make sure to leave this manual for the home owner.

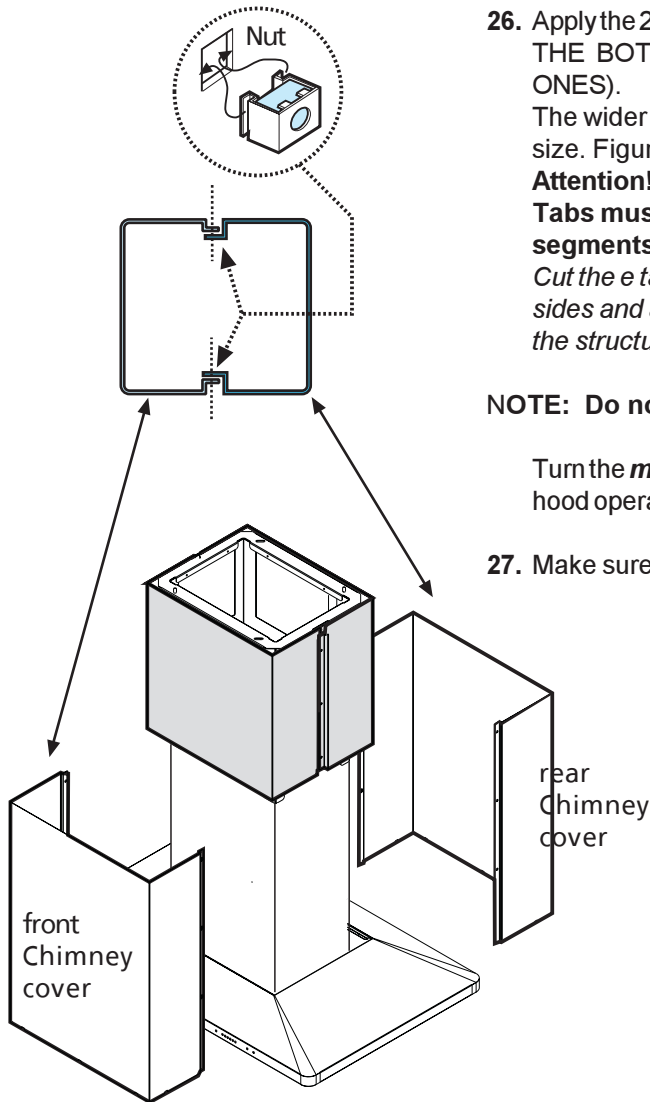


Figure 12

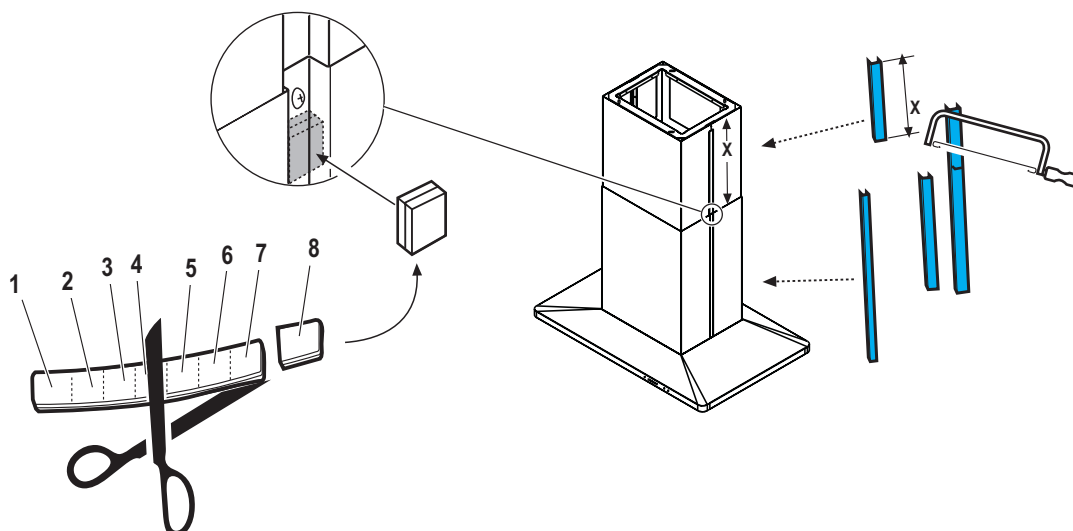


Figure 13

Use and Care Control Pad Functions

READ THE INSTRUCTIONS CAREFULLY BEFORE USING THE HOOD.
For satisfactory use of your hood, become familiar with the various functions of the hood as described below

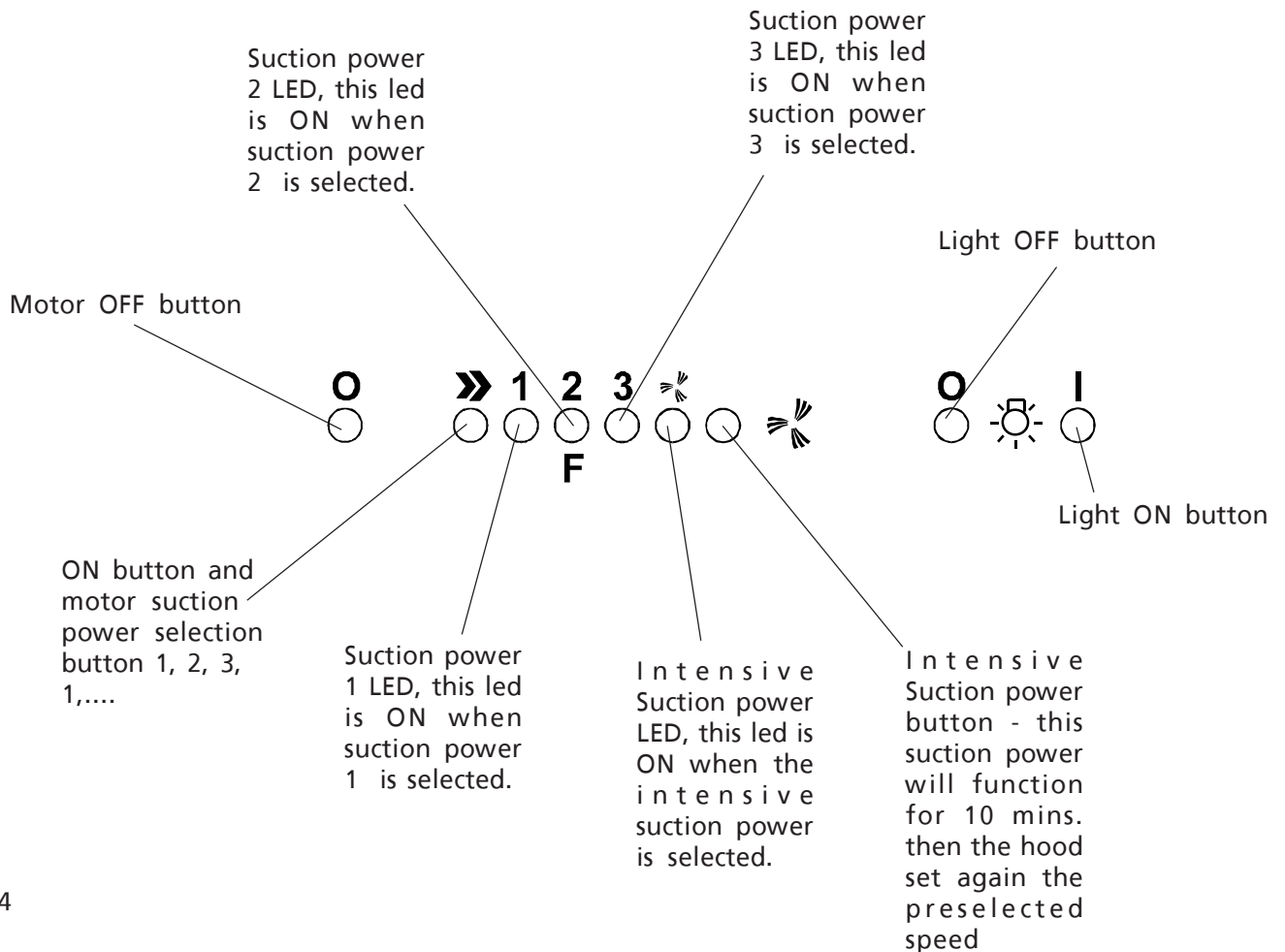


Figure 14

Grease Filter Saturation LED

The **Suction power 2 LED** in Figure 12 is marked with an F. This LED will flash to remind you when the grease filter needs to be cleaned after 40 hours use. Follow the instructions for cleaning filters in this booklet. Once the grease filters have been cleaned, reset the reminder by pressing **Motor OFF button** for about 3 seconds until you hear the signal (beep).

Operating Instructions

The blower should be turned on for about 5 minutes **before** cooking in order to establish air currents upward through the hood. Use the low speeds for normal use and the higher speeds for strong odors or fumes. Minimize cross drafts which will reduce the effectiveness of the hood.

Hood Cleaning

Be sure lights are cool before cleaning the hood.

To Clean Filters

- The metal grease filters will last forever. They are made of anodized aluminum
- It is recommended that the filters be washed at least once a month; they can be washed by hand or in the dishwasher.
- Drain water through edge holes and let each filter dry thoroughly before replacing it.

To Remove The Metal Grease Filters

- Disconnect the hood from electricity.
- Push clips towards the rear and pull the filters downward.
- Disengage each filter from a side and remove it

To Replace The Metal Grease Filters

- Reverse procedure.

To Clean Hood Surface

- For general care, wipe the outside of the stainless steel, white, black or glass hood with sudsy water or household cleaners such as Fantastic® or Formula 409®, rinse well and dry with clean soft cloth to avoid water marks.
- Wipe and dry brushed stainless steel in the same direction as the grain.
- Do not use abrasive products.
- To remove finger prints and give added shine use spray cleaners such as Stainless Steel Magic® and Shimmer®.

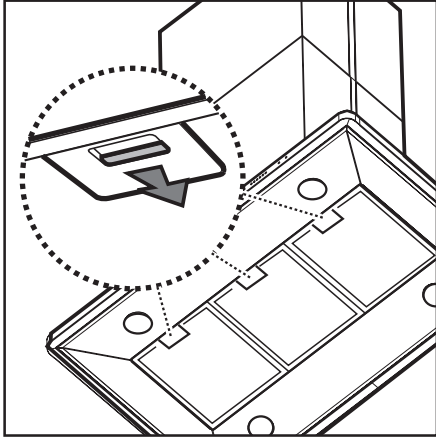


Figure 15

Lights replacement

Turn off electric power to hood before removing light cover.

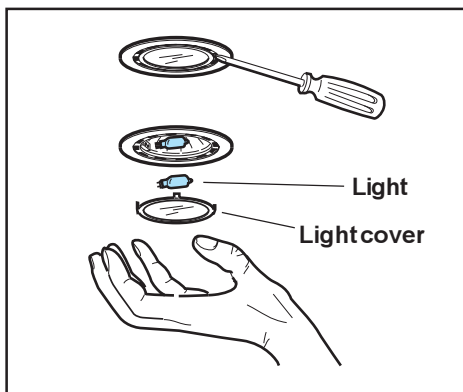


Figure 16

NOTE: Turn blower and lights off. Make sure the lights are cool. If new lights do not operate be sure lights are inserted correctly before calling service.

- Remove the light cover using a little flat screwdriver or similar tool as a lever.
- Remove the damaged light and replace with a new 12 Volt, 20 Watt (maximum) halogen light made for a G-4 base. Follow package directions and do not touch new light with bare hands.
- Reinstall the light cover (snap into position).

| | |
|---------------------------|-----------|
| Contents | 2 |
| Table des matières | 12 |
| Indice | 23 |

Table des matières

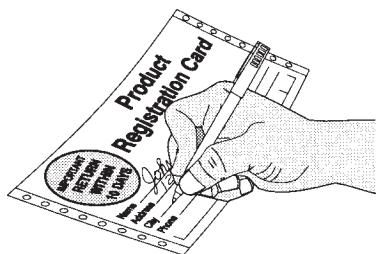
| | |
|--|-------|
| Enregistrement de l'appareil | 12 |
| Informations importantes relatives à la sécurité | 13 |
| Installation | 15-19 |
| Emploi et entretien | 20 |
| Nettoyage de la hotte | 21 |
| Remplacement des lampes | 21 |
| Garantie | 22 |

Enregistrement de l'appareil

Merci d'avoir choisi cet appareil. Les renseignements contenus dans ce guide de l'utilisateur expliquent comment utiliser et entretenir la hotte. Lire les documents qui accompagnent l'appareil pour en savoir davantage sur cette hotte.

Enregistrer l'appareil

La CARTE D'ENREGISTREMENT préalablement adressée doit être remplie en entier, signée et retournée à Frigidaire Canada.



Noter le numéro de modèle et le numéro de série

Noter ci-dessous le numéro de modèle et le numéro de série inscrits sur la plaque signalétique située sur le côté droit du cadre avant, dans le tiroir de rangement.

Numéro de modèle: _____

Numéro de série: _____

Date d'achat: _____

Le présent guide de l'utilisateur décrit le mode d'emploi général de cette hotte ainsi que les caractéristiques de plusieurs autres modèles. Certaines des caractéristiques décrites peuvent donc ne pas s'appliquer à votre hotte.

Remarque: Les directives qui figurent dans ce guide de l'utilisateur ne sauraient couvrir toutes les circonstances et les situations possibles. Il faut donc faire preuve de jugement et de prudence pendant l'installation, l'utilisation et l'entretien de tout appareil électroménager.

Informations importantes relatives à la sécurité

LIRE ET CONSERVER LES PRÉSENTES INSTRUCTIONS

Faire extrêmement attention lors de l'emploi
de substances nettoyantes ou détergentes.

Aptitude à l'emploi dans l'environnement domestique/cuisine

ATTENTION – Afin de réduire le risque d'incendies et de garantir une évacuation de l'air appropriée il faut prévoir une conduite pour l'évacuation de l'air à l'extérieur. Ne pas évacuer l'air dans des espaces délimités par des parois/plafonds, attiques, passages ou garages.

ATTENTION – Uniquement pour la ventilation générale. Ne pas utiliser l'appareil pour l'évacuation de matériaux et vapeurs dangereux ou explosifs.

AVERTISSEMENT – AFIN DE RÉDUIRE LE RISQUE D'INCENDIES, CHOCS ÉLECTRIQUES OU ACCIDENTS, RESPECTER LES PRESCRIPTIONS SUIVANTES:

- a. Utiliser l'appareil sur la base des instructions fournies par le constructeur. En cas de doutes ou pour toute explication ultérieure, s'adresser à la société constructrice.
- b. Avant d'effectuer le nettoyage ou l'entretien, couper l'alimentation du panneau de commandes puis bloquer le dispositif de déconnexion du courant électrique afin d'éviter tout risque d'actionnement involontaire. S'il devait se révéler impossible de bloquer le dispositif de déconnexion, appliquer un signal d'avertissement approprié (par exemple: un panneau), bien visible et en position stable, sur le panneau de commandes.

AVERTISSEMENT – POUR RÉDUIRE LES RISQUES D'INCENDIES PROVOQUÉS PAR LE RENVERSEMENT DE GRAISSE SUR LE PLAN DE LA CUISINE:

- a. Ne jamais laisser sans surveillance les appareils de cuisson réglés au maximum. La cuisson à puissance élevée est susceptible de générer des fumées et de provoquer le renversement de graisse pouvant s'enflammer. Réchauffer lentement et à faible puissance l'huile ou la graisse.
- b. Allumer toujours la hotte (position ON) pendant le réchauffement à température élevée ou la cuisson à la flamme (i.e. *Crepes Suzette, Cherries Jubilee, Peppercorn Beef Flambee*).
- c. Nettoyer fréquemment les rotors de ventilation. Ne pas laisser que la graisse s'accumule sur le rotor de ventilation ou sur le filtre.
- d. Utiliser des poêles ou casseroles de dimensions appropriées. Choisir toujours des outils de cuisine appropriés en fonction des dimensions du plan.

AVERTISSEMENT – POUR RÉDUIRE LES RISQUES D'ACCIDENTS SUITE AUX INCENDIES PROVOQUÉS PAR LE RENVERSEMENT DE GRAISSE SUR LE PLAN DE LA CUISINE, SUIVRE LES INSTRUCTIONS SUIVANTES:

- a. Essayer d'ÉTOUFFER LES FLAMMES au moyen d'un couvercle de petites dimensions, un plateau métallique ou une feuille de papier d'aluminium, puis éteindre le brûleur. EFFECTUER LES OPÉRATIONS NÉCESSAIRES AVEC PRÉCAUTIONS, AFIN D'ÉVITER TOUT RISQUE DE BRÛLURES. Si les flammes ne s'éteignent pas immédiatement, ÉVACUER LES LOCAUX PUIS CONTACTER LES SAPEURS-POMPIERS.
- b. NE JAMAIS SOULEVER UNE CASSEROLE EN FLAMMES: il y a le risque de se brûler.
- c. NE PAS UTILISER DE L'EAU, des torchons ou serviettes mouillés: il existe le risque qu'une violente explosion de vapeur se produise.
- d. Utiliser un extincteur UNIQUEMENT à condition que:
 1. L'on soit sûrs de pouvoir disposer d'un extincteur de Classe ABC, et l'on soit déjà en mesure de l'utiliser.
 2. L'incendie soit réduit et limité à la zone dans laquelle il s'est développé.
 3. L'on ait déjà contacté les sapeurs-pompiers.
 4. L'on puisse utiliser l'extincteur en ayant les épaules tournées vers la sortie.

Informations importantes relatives à la sécurité (suite)

AVERTISSEMENT – POUR RÉDUIRE LES RISQUES D'INCENDIES, CHOCS ÉLECTRIQUES OU ACCIDENTS, SUIVRE LES INDICATIONS SUIVANTES:

- a) Confier l'installation et l'adaptation des connexions électriques à un personnel qualifié qui opère conformément aux normes et aux dispositions établies, y compris aux normes de construction antiincendie.
- b) Dans les installations alimentées avec du combustible, il faut qu'il y ait une quantité d'air suffisante, afin de garantir une combustion appropriée et une correcte évacuation des gaz à travers le carneau montant (cheminée), de façon à éviter le retour des fumées. Suivre les directives fournies par le constructeur de l'appareil de chauffage ainsi que les normes de sécurité émises par des associations telles que la «National Fire Protection Association (NFPA)», la «American Society for Heating», la Refrigeration and Air Conditioning Engineers (ASHRAE), et les autorités locales compétentes.
- c) Lors du percement de parois ou de plafonds, effectuer les opérations nécessaires avec précaution, afin de ne pas endommager les connexions électriques et les autres branchements des services généraux non visibles.
- d) Les rotors de ventilation carénés doivent toujours être équipés d'un système d'évacuation à l'extérieur.

AVERTISSEMENT - POUR RÉDUIRE LES RISQUES D'INCENDIES, UTILISER UNIQUEMENT DES CONDUITES MÉTALLIQUES.

ATTENTION - NE PAS UTILISER CE VENTILLATEUR AVEC AUCUN APPAREIL DE CONTRÔLE VITESSE À L'ÉTAT SOLIDE



Avertissement

Risque de choc électrique. Peut occasionner des blessures sérieuses ou la mort. Débranchez l'appareil de la source d'alimentation avant de procéder au service d'entretien. Si l'appareil est muni d'une lampe fluorescente, celle-ci contient des petites quantités de mercure qui doivent être recyclées ou mises aux rebus conformément aux règlements municipaux ainsi qu'aux lois provinciales et fédérales.

Installation

UNIQUEMENT POUR EMPLOI RÉSIDENTIEL.
NE PAS INSTALLER SUR LES GRILLES AVEC CHAUFFAGE AU GAZ.
AVANT D'UTILISER L'APPAREIL, LIRE ATTENTIVEMENT LES PRÉSENTES INSTRUCTIONS.
L'INSTALLATION DOIT ÊTRE EFFECTUÉE CONFORMÉMENT AUX RÉGLEMENTS LOCAUX.

IMPORTANT: Conserver les présentes instructions pour l'emploi destinées à l'inspecteur de la société électrique.

INSTALLATEUR: Conserver avec l'appareil les présentes instructions pour l'emploi destinées au propriétaire.

PROPRIÉTAIRE: Conserver les présentes instructions pour toute éventuelle consultation à l'avenir.

Avertissements concernant la sécurité: Avant d'effectuer le branchement de l'appareil, couper le circuit d'alimentation et bloquer le panneau de commandes.

Alimentation requise: 120 V C.A., 60 Hz. 15 ou 20 A

Dimensions

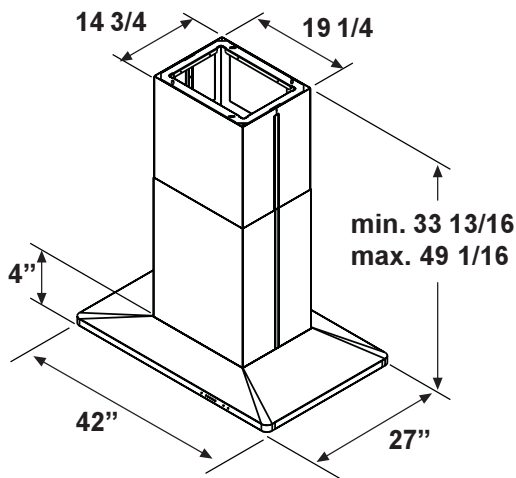


Figure 1*

Poids: 86 pounds

Diamètre de raccordement: 8"

Diamètre requis pour la conduite d'évacuation: 8"

Remarque: Toutes les dimensions sont exprimées en pouces.

* Les dimensions sont calculées en partant de la base de la hotte jusqu'au plafond et elles comprennent l'espace libre requis pour l'installation.

Avant d'effectuer l'installation de la hotte

1. Afin d'obtenir une efficacité maximum d'évacuation de l'air, utiliser une conduite linéaire ou réduire au maximum le nombre des coudes présents.
ATTENTION: Évacuer l'air de l'unité exclusivement à l'extérieur de l'édifice.
2. Utiliser des canalisations flexibles en métal, si autorisées dans votre région, uniquement pour connecter la conduite rigide directement aux dispositifs de raccordement.
3. Les équipements installés dans des régions au CLIMAT FROID doivent avoir un clapet de retenue des fumées pour réduire au maximum l'écoulement de l'air froid de retour, outre à une protection thermique non métallique pour minimiser l'influence de la température externe à travers le réseau des canalisations. Il est opportun d'installer le clapet sur le côté de l'air froid de la protection thermique et de placer la protection le plus près possible du point d'entrée des canalisations dans la partie réchauffée de l'édifice.
4. La hauteur pour l'installation de la hotte sur le plan de la cuisine est indiquée dans la Figure 2. Veiller à ce que le modèle de la hotte choisie soit approprié pour l'installation.

Installation

Outils requis pour l'installation

Toumevis

(pozidrive n°2, torx 10 et 20)

Clé pour vis Allen 4 mm.

Clé universelle 10 mm.

Clé serre-tube $\frac{3}{8}$

Perceuse électrique avec mèche hélicoïdale Ø 10 mm.

K = Hauteur cuisine

C = Hauteur du plan de la cuisine (36" standard)

P = Hauteur entre le plan de la cuisine et le fond de la hotte (minimum 30")

A = Hauteur hotte

H = Hauteur de la hotte par rapport à l'installation

$H = K - C - P$

S = Hauteur de la structure de support par rapport à l'installation.

$S = H - A$

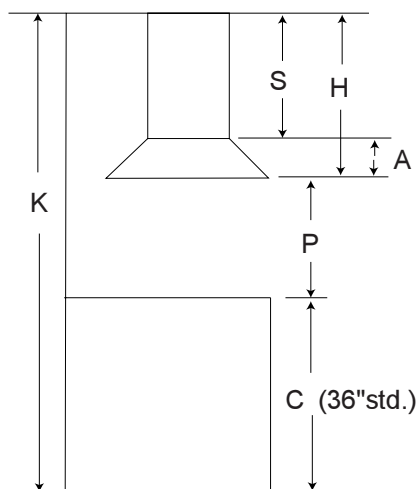


Figure 2

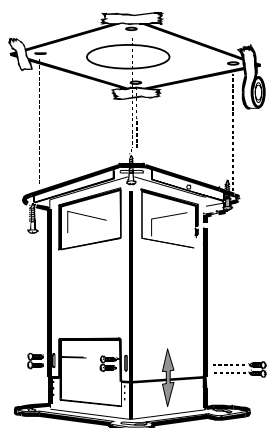


Figure 3

Opérations préliminaires à l'installation (Figure 2)

1. a) Choisir la hauteur souhaitée P de la hotte, de façon à ce qu'elle soit pratique pour l'utilisateur (voir Figure 2) mais non inférieure de 30".
b) Calculer la hauteur de la hotte H par rapport à l'installation (Figure 2). $H = K - C - P$.
c) Veiller à ce que la hauteur H soit comprise dans l'intervalle des valeurs min./max. reportées sur la hotte. Dans le cas contraire, adapter l'installation en fonction des conditions requises.
d) Calculer la hauteur de la structure de support S (en utilisant les formules reportées dans la Figure 2 et en vérifiant les dimensions de la hotte). Conserver les calculs pour une installation ultérieure.

Préparation de la surface de montage – Installation des supports sur le plafond en placoplâtre .

Remarque: Évaluer la profondeur de la hotte, qui pourrait se révéler nettement supérieure à celle du plan de cuisson.

2. Marquer au plafond l'axe de la cuisine ou du plan de cuisson, en utilisant le gabarit de perçage. Prendre note des positions de la partie avant et du côté de la hotte, ainsi que des trous de montage reportés sur le gabarit de perçage.
3. Retirer et conserver le gabarit de perçage. Percer et retirer le placoplâtre. Insérer entre les joints un élément en bois ayant une longueur appropriée (2" x 4") pour l'ancrage de la cheminée, comme illustré dans les Figures C et D. Utiliser le gabarit de perçage pour définir les dimensions et l'espace libre requis. S'assurer que l'élément en bois soit monté solidement et parfaitement à plat. En cas de difficultés ou d'exigences particulières, interpellier un technicien spécialisé. Utiliser en tant que référence le gabarit de perçage et les détails reportés dans les Figures 3, 4 et 5.
Marquer le poids de l'appareil (Tableau 1).
4. Installer la conduite d'évacuation (voir Tableau 1 pour les dimensions). Le côté femelle doit se trouver à une distance de 4-1/2" par rapport au plafond fini et doit être solidement fixé aux soliveaux. Ne pas utiliser une conduite plus petite par rapport au raccord.
5. Installer un tube pour câbles électriques de 1/2" en correspondance du point marqué sur le gabarit de perçage et prolonger la longueur S qui part du plafond.
6. Monter le placoplâtre autour de la conduite et du tube pour les câbles électriques, puis effectuer le finissage du plafond.

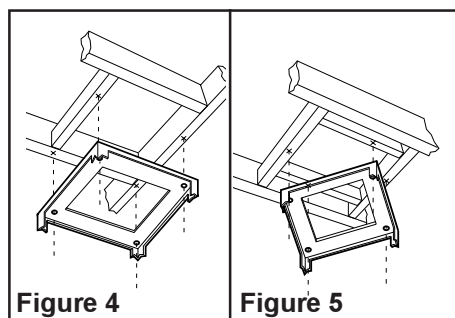


Figure 4

Figure 5

Installation

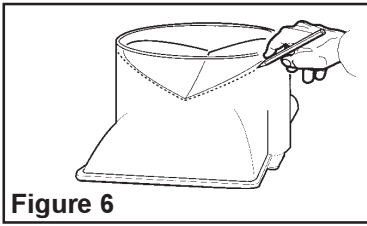


Figure 6

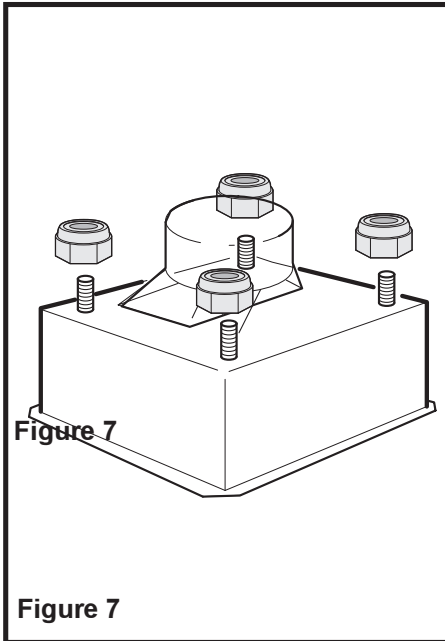


Figure 7

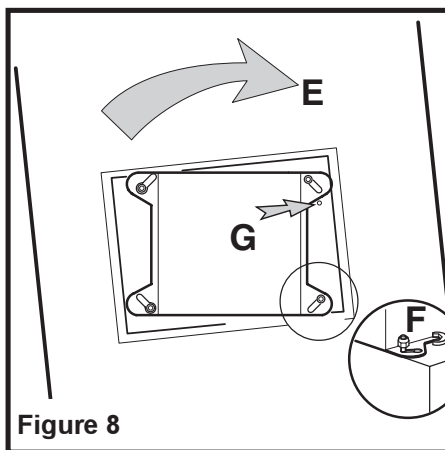


Figure 8

Installation de l'appareil

(Remarque: pour installer correctement, la présence de deux personnes pourrait se révéler nécessaire).

7. Installer le raccord sur la partie la plus haute de la hotte (si précédemment retiré pour le transport). Enclencher la soupape dans le raccord, appliquer le ruban en caoutchouc mousse puis exercer une forte pression sur les deux côtés. À l'extérieur du raccord marquer le point 'V' de la soupape qui se trouve à son intérieur (Figure 6).

Remarque: Les vis de la conduite peuvent être appliquées UNIQUEMENT au-dessous de cette ligne.

8. Adapter la structure de support en fonction de la cote S établie comme décrit au Point 1 à page 16. Utiliser 2 vis pour chaque support de fixation. Ne pas effectuer la fixation au plafond lors de cette phase.
9. Positionner la structure de support au sommet de la hotte. Fixer les écrous sans serrer (Figures 7 et 8).
10. Insérer l'élément de la conduite sur le raccord, de façon à ce que l'extrémité supérieure se trouve sous la partie la plus haute de la structure de support de 5-1/2", et avec le côté mâle orienté vers le haut.

11. Retirer la structure de support de la hotte.

12. Installer la conduite. Effectuer la fixation de la conduite avec le raccord au moyen des vis spécialement prévues puis appliquer le ruban comme prévu par le règlement. Fixer sans serrer le collier de connexion (compris) en le maintenant parfaitement aligné avec la partie la plus haute de la conduite. Remarque: les vis ne doivent pas entraver la soupape (pour la position des vis, voir au point 8. ci-dessus).

Fixer sans serrer le collier de connexion (compris), en le maintenant parfaitement aligné avec le fond de la conduite.

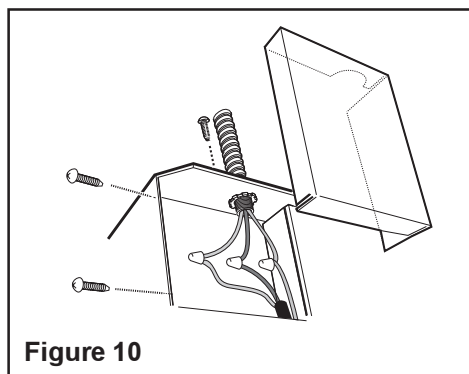
13. Pour installer la structure de support au plafond, utiliser une clé 10 mm. ou une clé réglable, ou bien un tournevis à tête plate. Percer plusieurs trous de guidage au plafond. Accrocher la structure de support aux soliveaux en utilisant les 4 vis d'ancrage fournies avec l'appareil. Maintenir le tube pour câbles électriques de 1/2" à l'intérieur de la structure (Figure 3).

14. Pour fixer la hotte, utiliser une clé 10 mm. ou une clé réglable. Appliquer les écrous sur la partie la plus haute de la hotte.

Ne pas serrer. Soulever la hotte jusqu'à la structure de support puis faire tourner celle-ci pour la fixer dans la position correcte (Figure 8). Serrer les écrous à fond.

15. Conduites pour toutes les unités: il est préférable de ne pas laisser un espace libre supérieur à 1" entre la conduite de la hotte et celle de l'installation domestique. Adapter le collier de fixation pour le montage sur les deux conduites puis serrer ce dernier de façon appropriée. Fixer la conduite au moyen des vis puis appliquer le ruban comme prévu par le règlement. Si nécessaire, régler définitivement la position angulaire de l'unité au plafond, puis serrer avec force les 4 vis d'ancrage fixées au plafond, si cette opération n'a pas encore été effectuée.

Installation



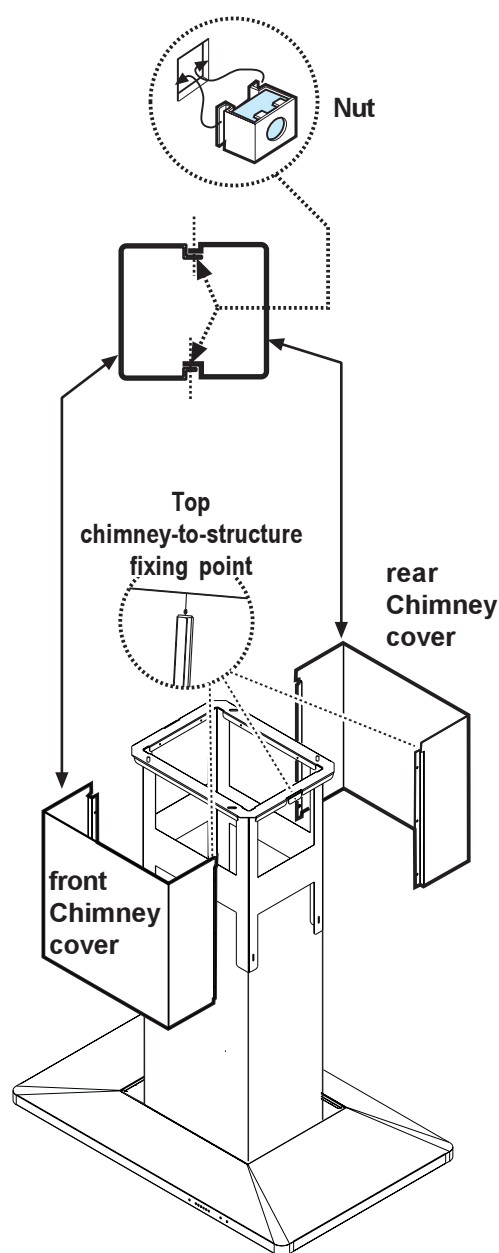
Branchement au réseau d'alimentation électrique

AVERTISSEMENTS!

INSTRUCTIONS POUR LE BRANCHEMENT ÉLECTRIQUE DE TERRE
LE PRÉSENT APPAREIL EST ÉQUIPÉ D'UNE BOÎTE DE CONNEXION ÉLECTRIQUE ÉQUIPÉE DE 3 FILS, DONT UN (VERT/JAUNE) EST DESTINÉ À LA CONNEXION DE TERRE DE L'APPAREIL.

POUR LA PROTECTION CONTRE LE RISQUE DE CHOCS ÉLECTRIQUES, LE FIL VERT ET JAUNE DOIT ÊTRE CONNECTÉ AU FIL DE TERRE DE L'INSTALLATION ÉLECTRIQUE DOMESTIQUE ET IL NE DOIT PAS – POUR QUELQUE RAISON QUE CE SOIT – ÊTRE COUPÉ OU ENLEVÉ.

Avertissement: Avant de préparer les connexions électriques, interrompre le circuit d'alimentation du panneau de commande. Alimentation requise: 120 V C.A., 15 ou 20 Amp.



16. Retirer le couvercle de la boîte des connexions électriques, comme illustré dans la Figure 10.

17. Retirer la partie prédécoupée et installer le serre-câble du tube pour câbles électriques de 1/2" dans la boîte des connexions électriques.

18. Insérer les trois fils noir, blanc et vert (#16 AWG) dans le tube pour câbles électriques de 1/2" entre le panneau de commandes et la boîte des connexions électriques.

19. Connecter le fil noir du panneau de commandes au fil noir ou rouge de la boîte des connexions électriques, le fil blanc au fil blanc et le fil vert au fil vert/jaune (Figure 10).

20. Fermer le couvercle de la boîte des connexions électriques, contrôler toutes les lampes afin de vérifier qu'elles soient correctement fixées aux douilles correspondantes puis brancher l'alimentation depuis le panneau de commandes. Contrôler les lampes et le fonctionnement du rotor de ventilation, sur la base des indications fournies dans la section Emploi et Entretien du présent manuel, puis effectuer l'installation des filtres.

MONTAGE FINAL

NE PAS UTILISER UN TOURNEVIS ÉLECTRIQUE pour effectuer l'installation définitive de la couverture de la cheminée.

21. Fixer les écrous avec les crochets de fixation à l'intérieur des parties supérieure et inférieure des couvertures de cheminée dans toutes les fentes rectangulaires. Figures 11-12

22. Assemblez les deux parties supérieures de la cheminée. Vissez les deux parties à l'aide de 4 vis (2 de chaque côté – voir aussi le schéma en plan pour l'assemblage des deux parties). Figure 11.

23. Fixez l'ensemble cheminée supérieure à la structure, à proximité du plafond, à l'aide de deux vis (une de chaque côté). . Figure 11.

Installation

24. Assemblez les deux parties inférieures de la cheminée de façon qu'elles recouvrent la structure, utilisez 6 vis (3 de chaque côté, voir aussi schéma en plan pour l'assemblage des deux parties).. Figure 12.

25. Faire glisser la partie supérieure des couvertures dans son logement de manière qu'elle couvre le groupe moteur et la boîte de connexions électriques. Figure 12.

26. Appliquez 2 bordures (fournies) afin de recouvrir les points de fixation des parties de la cheminée inférieure (ATTENTION! LES BORDURES DE LA CHEMINÉE INFÉRIEURE SONT RECONNAISSABLES CAR ELLES SONT PLUS ÉTROITES ET MOINS PROFONDES).

Les bordures les plus larges et les plus profondes doivent être utilisées pour la cheminée supérieure et coupées à la mesure désirée. Figure 13.

Attention !

Les bordures doivent être fixées en utilisant le ruban bi-adhésif fourni (pour chaque bordure, deux segments doivent être utilisés).

Couper le ruban en 8 segments, ensuite retirer la bande de protection de chaque côté et appliquer les segments tout près des vis qui fixent les conduits de la cheminée à la structure.

REMARQUE: Ne pas serrer excessivement, afin d'éviter tout risque de déformer le métal.

27. Laisser le présent manuel à la disposition du propriétaire.

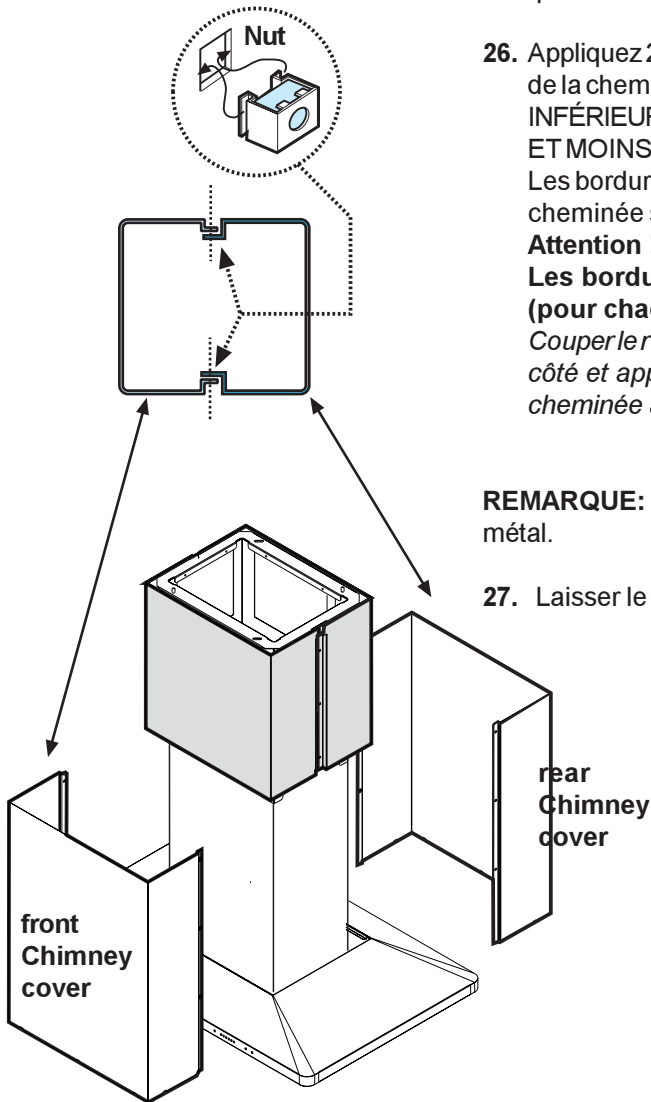


Figure 12

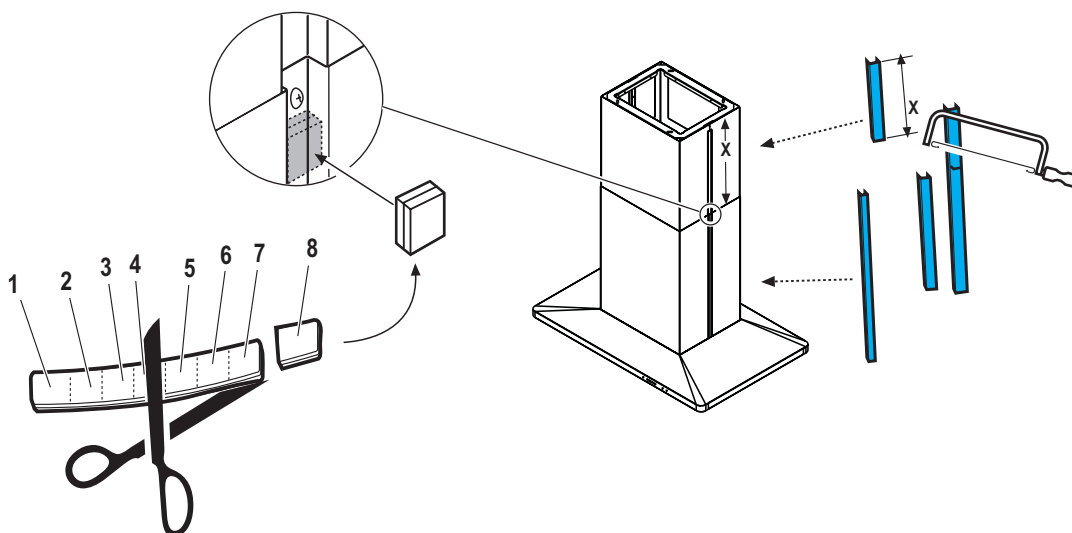


Figure 13

Emploi et Entretien

LIRE ATTENTIVEMENT LES INSTRUCTIONS AVANT D'UTILISER LA HOTTE.
Afin de pouvoir utiliser la hotte de façon satisfaisante il faut se familiariser avec toutes ses fonctions:

Fonctions du panneau des commandes

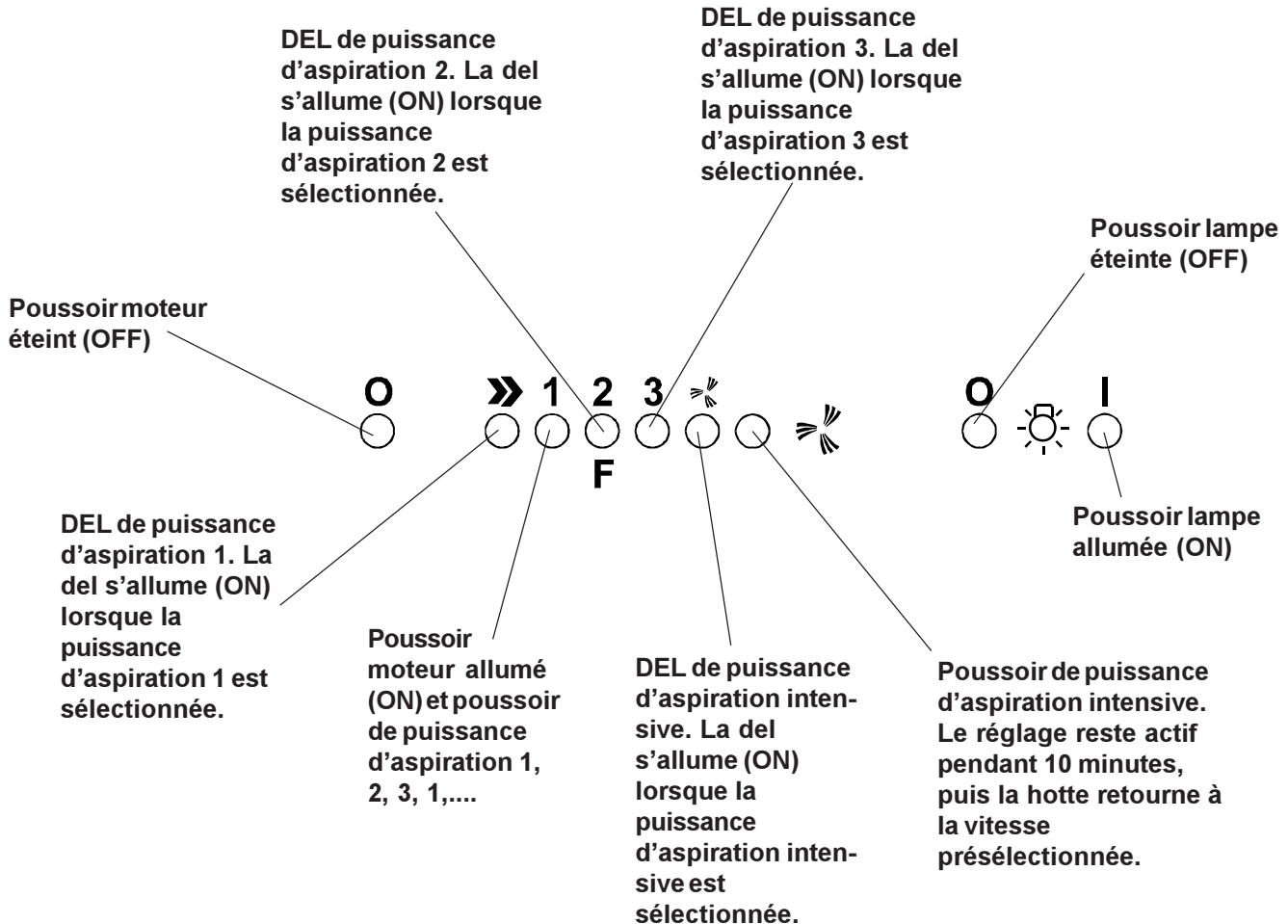


Figure 14

DEL de saturation du filtre anti-graisse

La DEL de puissance d'aspiration 2 illustrée dans la Figure 12 est marquée par la lettre F. La DEL clignote lorsqu'il est nécessaire de nettoyer le filtre anti-graisse (après 40 heures d'emploi). Pour le nettoyage des filtres, suivre les instructions fournies dans le présent manuel. Après avoir nettoyé les filtres anti-graisse, effectuer une remise à l'état initial du dispositif de signalisation en maintenant appuyé le **poussoir d'extinction moteur (OFF)** pendant 3 secondes environ, jusqu'à ce que le signal (bip) soit activé.

Instructions relatives au fonctionnement

Nous conseillons d'allumer le rotor de ventilation environ 5 minutes **avant** de commencer la cuisson, afin d'activer le tirage des courants d'air à travers la hotte.

Définir une vitesse réduite pour les conditions d'emploi normales et une vitesse plus élevée en cas de fumée ou odeurs intenses. **Réduire au maximum les courants de tirage transversaux susceptibles de réduire l'efficacité de la hotte.**

Nettoyage de la Hotte

S'assurer que les lampes se soient refroidies avant d'effectuer le nettoyage de la hotte.

Nettoyage des filtres

- Les filtres métalliques anti-graisse sont réalisés en aluminium anodisé et leur durée de vie est illimitée.
- Nous recommandons de nettoyer les filtres au moins une fois pas mois. Les filtres peuvent être lavés à la main ou au lave-vaisselle.
- Évacuer l'eau à travers les trous sur le bord puis laisser sécher totalement les filtres avant de les remonter.

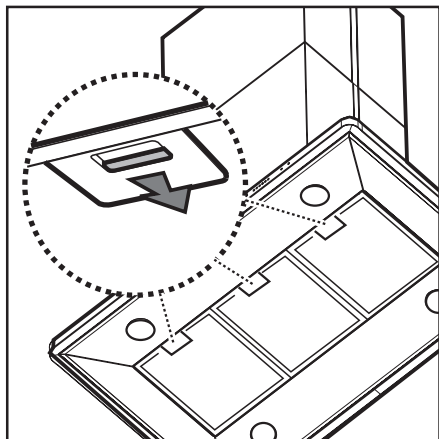


Figure 15

Retrait des filtres métalliques anti-graisse

- Éteindre le rotor de ventilation et les lampes.
- Pousser chaque poignée au milieu et vers le bas (Figure 15).

Remplacement des filtres métalliques anti-graisse

- Suivre la procédure à rebours.

Nettoyage de la surface de la hotte

- Pour le nettoyage général des hottes blanches ou noies, en acier inox ou en verre, passer sur la surface externe un chiffon imbibé d'eau savonneuse ou de détergent pour emploi domestique (type Fantastic®, Formula 409®, etc.), puis rincer avec soin et sécher avec un chiffon souple et sec afin d'éliminer toute trace.
- Nettoyer puis sécher l'acier inox usiné, en suivant le sens de l'usinage.
- Ne pas utiliser des produits abrasifs.
- Pour éliminer les traces d'empreintes et intensifier l'éclat des surfaces, utiliser des sprays détergents, par exemple: Stainless Steel Magic® et Shimmer®.

Remplacement des lampes

Figure 16

Débrancher la hotte avant de sortir la protection de la lampe.

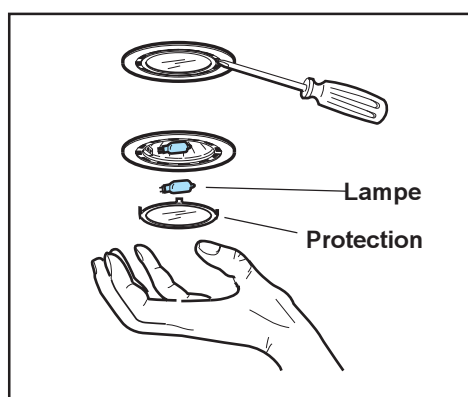


Figure 16

REMARQUE: Éteindre le rotor et les lampes. S'assurer que les lampes soient froides. Si les lampes neuves ne fonctionnent pas, vérifier qu'elles soient insérées correctement avant de contacter le Service après-vente.

- Sortir la protection en utilisant un petit tournevis à lame plate ou tout autre outil similaire.
- Retirer la lampe endommagée et remplacer cette dernière par une lampe halogène 12 Volts, 20 Watt (max.) neuve, pour un socle G-4. Suivre les instructions reportées sur l'emballage. Ne pas toucher la lampe neuve des mains nues.
- Refermer la protection (fixation par encliquetage).

GARANTIE DE LA HOTTE DE CUISINE

La hotte de cuisine que vous avez achetée est couverte par la présente garantie

| | PÉRIODE DE GARANTIE | SERVICES OFFERTS À TRAVERS NOS CENTRES DE SERVICE APRÈS-VENTE AUTORISÉS: | RESPONSABILITÉ DE L'ACHETEUR: |
|--|--|---|---|
| GARANTIE TOTALE D'UNE ANNÉE | Une année à compter de la date d'achat initiale. | Couverture de tous les frais de réparation ou remplacement des pièces de l'appareil qui se révèlent défectueuses au niveau des matériaux ou de l'usinage. | Paiement des frais pour les appels au service après-vente indiqués dans le paragraphe "RESPONSABILITÉS NORMALES DE L'ACHETEUR". |
| GARANTIE LIMITÉE (applicable pour l'Alaska) | Périodes indiquées ci-dessus | Couverture des frais sur la base des clauses des garanties totales et limitées mentionnées ci-dessus et des exclusions de garantie indiquées ci-dessous. | Paiement des frais de déplacement et d'intervention du technicien au domicile de l'acheteur ainsi que les frais de retrait et de livraison de l'appareil pour le service après-vente. |

L'appareil acheté aux États-Unis est couvert par la garantie Electrolux Home Products North America, une division de White Consolidated Industries, Inc. Les soussignés n'autorisent aucune modification ou adjonction aux obligations assumées en vertu de la présente garantie. L'accomplissement des obligations assumées pour le service après-vente et la fourniture de pièces de rechange en vertu de la présente garantie est exclusivement du ressort des soussignés ou d'un centre de service après-vente autorisé par Electrolux Home Products North America. Au Canada, l'appareil acheté est couvert par la garantie WCI Canada, Inc.

*RESPONSABILITÉ DE L'ACHETEUR

La présente garantie concerne uniquement les produits destinés à un emploi normal dans un contexte domestique et elle attribue à l'acheteur les responsabilités suivantes:

1. Emploi correct de l'appareil, conformément aux instructions fournies avec le produit.
2. Installation correcte effectuée par un centre de service après-vente autorisé, conformément aux instructions fournies avec l'appareil et en plein respect des règlements locaux en matière d'installations électriques, hydrauliques et/ou du gaz.
3. Connexion à une source d'alimentation avec mise à la terre ayant une tension appropriée, remplacement des fusibles grillés, réparation des connexions interrompues ou rectification des pannes de l'installation électrique domestique.
4. Frais soutenus afin de garantir l'accès à l'appareil pour les interventions d'entretien ou de réparation, y compris le retrait de fournitures, meubles, armoires suspendues, etc. qui ne font pas partie de l'appareil au moment de la livraison de la part de l'usine de production.
5. Dommages aux finitions à la suite de l'installation.
6. Remplacement des lampes et/ou tubes fluorescents (sur les modèles équipés de ces éléments).

EXCLUSIONS

La présente garantie n'intervient pas dans les cas suivants:

1. DOMMAGES DÉCLARÉS OU INDIRECTS, PARMIS LESQUELS LES DOMMAGES À LA PROPRIÉTÉ, ET LES FRAIS INDIRECTS DÉRIVANT DE LA VIOLATION DE LA PRÉSENTE GARANTIE ÉCRITE OU DE TOUTE AUTRE GARANTIE IMPLICITE.
REMARQUE: Certains Pays n'autorisent pas l'exclusion ou la limitation des dommages déclarés ou indirects par rapport à la garantie. Pour ce motif, ladite exclusion ou limitation peut ne pas concerner l'appareil que vous avez acheté.
2. Appels au service après-vente ne concernant pas le fonctionnement défectueux ou les défauts du matériau/ de l'usinage ou relatifs aux appareils non destinés à l'emploi normal dans le contexte domestique. L'acheteur est tenu de régler le paiement pour lesdits appels au service après-vente.
3. Dommages consécutifs aux prestations des techniciens d'un service après-vente non appartenant à Electrolux Home Products North America ou à ses centres autorisés; emploi de pièces de rechange non originales obtenues dans des centres non appartenant à Electrolux Home Products; causes externes telles que: abus, emploi impropre, installation d'alimentation non appropriée ou causes de force majeure.
4. Produits dont les numéros de série originaux ont été retirés ou altérés et ne pouvant pas être identifiés immédiatement.

SIL'ON DEMANDE ASSISTANCE

Conserver la facture d'achat, le bulletin de livraison ou tout autre reçu attestant le paiement. La date reportée sur la facture établit les termes de la validité de la garantie pour la demande d'assistance. Il est dans vos intérêts d'obtenir et conserver tous les reçus, dans l'éventualité où une intervention du service après-vente devait se révéler nécessaire. La présente garantie écrite vous confère des droits légaux spécifiques. Des droits ultérieurs pourront vous être conférés sur la base de la législation en vigueur dans les différents Pays. pour la demande d'assistance en garantie, s'adresser à Electrolux Home Products:

La présente garantie est valable uniquement dans les 50 Pays qui constituent les États-Unis d'Amérique, au Porto Rico et au Canada. Les caractéristiques et les spécifications techniques décrites ou illustrées pour les produits sont susceptibles de subir des variations, et cela sans préavis. Toutes les garanties offertes sont assurées par Electrolux Home Products North America, une division de White Consolidated Industries, Inc. In Canada, l'appareil bénéficie de la garantie de WCI Canada, Inc.

USA
800-944-9044
 Electrolux Home Products North America
 P.O. Box 212378
 Augusta, GA 30917

Canada
866-213-9397 (Anglais)
866-294-9911 (Français)
 Electrolux Home Products North America
 6150 McLaughlin Road
 Mississauga, Ontario, Canada
 L5R 4C2

| | |
|---------------------------|-----------|
| Contents | 2 |
| Table des matières | 12 |
| Indice | 23 |

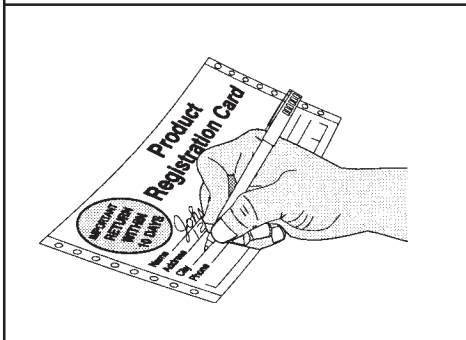
Indice

| | |
|---|-------|
| Registro del aparato | 23 |
| Instrucciones muy importantes para la seguridad | 24 |
| Instalacion | 25-29 |
| Uso y mantenimiento | 30 |
| Limpieza de la campana | 31 |
| Cambio de las lámparas | 32 |

Registro del aparato

Registre su aparato

La tarjeta con la dirección para registrar el aparato tiene que completarla completamente, firmarla y enviarla a ELECTROLUX, CANADA.



Este manual para el propietario contiene las instrucciones generales de funcionamiento para su campana y presenta la información referente y válida para los distintos modelos. Su campana podría no tener todas las características que aparecen descritas.

Nota: las instrucciones que aparecen en este manual para el propietario puede que no indiquen todas las condiciones y situaciones que se pueden encontrar. Hay que tener mucha precaución cuando se instale la campana, durante su funcionamiento y durante las labores de mantenimiento.

Le agradecemos que haya elegido este aparato. La información contenida en este manual para el propietario le dirán cómo utilizar y cuidar de forma adecuada su campana de cocina.

Le aconsejamos que lea la información contenida en el kit de documentación para saber todo lo que se refiere a su nuevo aparato.

Registro de los números del modelo y la serie

Escriba en los espacios los números de modelo y de serie que encontrará en la etiqueta de serie situada en la parte derecha de la campana.

Númro de modelo (código) : _____

Número de serie: _____

Fecha de compra: _____

Instrucciones muy importantes para la seguridad

LEA Y CONSERVE ESTAS INSTRUCCIONES

Tenga cuidado cuando use productos de limpieza o detergentes.

Solamente para uso doméstico.

ATENCIÓN. Para evitar el riesgo de incendio y para que la campana aspire correctamente el aire, asegúrese de que el aire es expulsada al exterior. No expulse el aire aspirada dentro de habitaciones, techos, buhardillas, trasteros o garajes.

ATENCIÓN. Hay que utilizar la campana solamente para aspiración en general. No la utilice para aspirar materiales peligrosos explosivos o para humos.

ADVERTENCIA. PARA REDUCIR EL PELIGRO DE INCENDIO, DE CORTOCIRCUITO O DAÑOS A TERCEROS, SIGA ESTAS NORMAS.

- a. Utilice el aparato solamente como dice el fabricante. Si tiene dudas, consulte a éste.
- b. Antes de reparar o limpiar el aparato desconecte la corriente del cuadro de mandos y bloquee todos los medios de servicio para evitar que la corriente se conecte de forma accidental. riattivata accidentalmente.
Si no se pudieran bloquear, ponga en el cuadro de mandos algo que asome y que pueda avisar del estado del cuadro de mandos como por ejemplo un buril.

ADVERTENCIA. PARA REDUCIR EL PELIGRO DE INCENDIO CAUSADO POR LA GRASA.

- a. No deje nunca el aparato sin vigilancia cuando está funcionando a alta velocidad.
- b. La ebullición excesiva hace que los vapores y la grasa salgan y se puedan incendiar.
Caliente el aceite a fuego lento o medio.
- c. Encienda siempre la campana cuando cocina con fuego alto o cuando preparar alimentos al flambè.
- d. Limpie las aspas periódicamente. No debe acumularse la grasa en ellas o en el filtro.
- e. Utilice cazuelas o sartenes de la medida adecuada. Utilice siempre cazuelas o sartenes de la medida de los quemadores.

ADVERTENCIA. PARA REDUCIR EL PELIGRO DE DAÑOS A LAS PERSONAS EN CASO DE INCENDIO PROVOCADO POR LA GRASA. SIGA ESTAS INSTRUCCIONES:

- a. Apague las llamas con una tapa adherente, una bandeja para dulces o una bandeja de metal y apague el quemador.
ATENCIÓN A LAS QUEMADURAS. Si las llamas no se apagan inmediatamente. LLAME A LOS BOMBEROS.
- b. NO AGARRE UNA SARTEN EN LLAMAS. Corre el riesgo de quemarse.
- c. NO USE NUNCA AGUA, ni siquiera trapos o toallas húmedas, porque causaría una violenta explosión de vapor de agua.
- d. Utilice un extintor SOLAMENTE si:
 - 1) Usted posee un extintor de tipo ABC y sabe cómo utilizarlo.
 - 2) Se trata de un pequeño incendio localizado en la zona donde se ha producido.
 - 3) Ha llamado a los bomberos. i pompieri sono stati chiamati
 - 4) Si puede combatir el fuego teniendo una salida a su espalda.

ADVERTENCIA. PARA REDUCIR EL PELIGRO DE INCENDIO, CORTOCIRCUITO O DAÑOS A TERCEROS SIGA ESTAS NORMAS.

- a. La instalación y la conexión eléctrica tiene que realizarlas personal especializado según todas las normativas aplicables incluida la construcción antiincendio.
- b. Es necesario tener aire suficiente para adecuada combustión y una evacuación de los gases por un conducto (chimenea) del aparato para evitar la salida posterior de los mismos.
Siga las instrucciones del manual de instrucciones del aparato de calefacción del fabricante y las normas de seguridad como las que ha publicado la National Fire Protection Association (NFPA) y por la American Society for Heating, Refrigeration and Air Conditioning Engineers (ASHRAE) ed las normas de las autoridades locales.
- c. No estropee las conexiones eléctricas u otras conexiones útiles que están escondidas, cuando realice taladros en la pared o en el techo.
- d. Las aspas que aspiran tienen que tener un conducto de evacuación al exterior.

ADVERTENCIA. PARA REDUCIR EL PELIGRO DE INCENDIO USE SOLAMENTE TUBOS METÁLICOS.



ADVERTENCIA

Peligro de cortocircuito.- Puede causar daños serios o incluso la muerte.
Desconecte el aparato de la red eléctrica antes de realizar las labores de mantenimiento.
Si la campana contiene lámpara de neón, ésta contiene restos de mercurio que hay que eliminar según las Normas locales Estatales y Federales.

Instalacion

**HAY QUE UTILIZARLA SOLAMENTE PARA INSTALACION FIJA.
NO HAY QUE INSTALARLA ENCIMA DE REJILLAS DE GAS.
POR FAVOR, LEA COMPLETAMENTE LAS INSTRUCCIONES ANTES DE REALIZAR LA
INSTALACION
LA INSTALACION TIENE QUE ADECUARSE A LAS NORMAS LOCALES.**

IMPORTANTE: Conserve estas instrucciones para el Inspector local de la Electricidad.
INSTALADOR: Por favor deje estas instrucciones del aparato para que las pueda usar el propietario.
PROPIETARIO: Por favor conserve estas instrucciones para posibles consultas.
Advertencia de seguridad: apague el circuito eléctrico de entrada de la corriente y apague el cuadro eléctrico antes de conectar el aparato.
Requisitos: 120V AC, 60Hz. 15 o 20 A.

Dimensiones - Figura 1

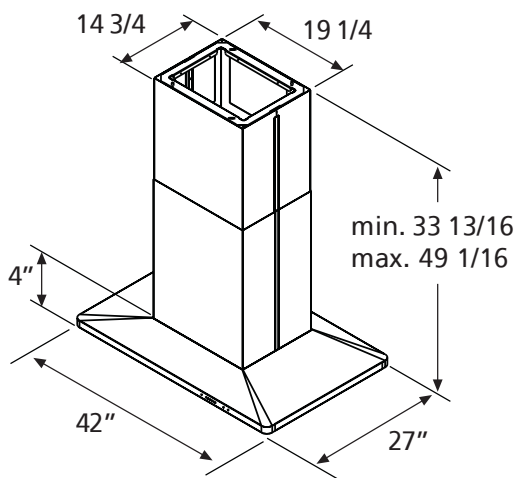


Figura 1*

Peso: 86 lbs

Diámetro para la abrazadera de transición 8"

Diámetro del tubo de aspiración 8"

Nota : todas las dimensiones son en pulgadas.

* Las dimensiones son desde la base de la campana hasta el techo e incluyen la altura requerida para la instalación.

Indicaciones que hay que tener en cuenta antes de instalar la campana.

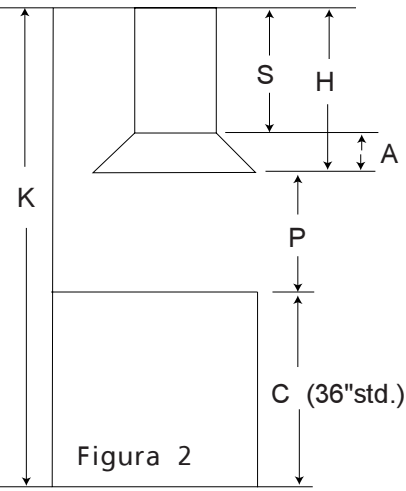
1. Para una mayor aspiración use un conducto de salida del aire recto o use el menor número posible de curvas.
ATENCIÓN: El aparato tiene que expulsar el aire al exterior.
2. Si está permitido en su zona use solamente tubos de metal flexible para conectar el tubo a la junta de transición.
3. Las instalaciones con el FRIO tendrían que incluir una válvula de no retorno posterior adjunta para reducir la cantidad posterior de aire frío y un interruptor térmico no metálico para reducir la conductividad de la temperatura externa en el interior del tubo.
La válvula de no retorno tendría que estar en la parte de entrada del aire frío del interruptor térmico. El interruptor tendría que estar situado lo más cerca posible o donde el entubado entra en contacto con la parte caldeada de la casa.
4. La distancia de la campana a la encimera no está regulada, cada propietario la puede colocar según sus necesidades (vea figura n.2).
Cuanto más cerca esté la campana a la encimera, mayor será su capacidad de aspiración de los humos y grasas.
Asegúrese de que el modelo de campana sea el adecuado a sus propias exigencias.

Instalación

Herramientas necesarias para la instalación

- Destornillador (pozidrive n. 2 e torx 10 e 20)
- Llave hexagonal 4mm
- Llave inglesa 10mm
- Llave de fontanero 3/8
- Troquel eléctrico con punta Ø 10 mm

K= altura de la cocina
 C= altura de la encimera (36" normalmente)
 P= distancia de la campana a la encimera (se aconseja 30"/36")
 A= altura del cuerpo de la campana.altezza del corpo cap-pa
 H= altura de la campana según la propia instalación
 $H=K-C-P$
 S= Altura de la estructura de la chimenea (soporte) según la propia instalación.
 $S= H-A$



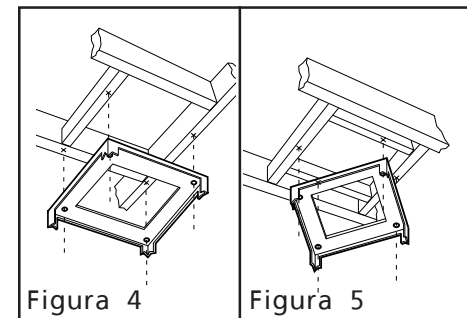
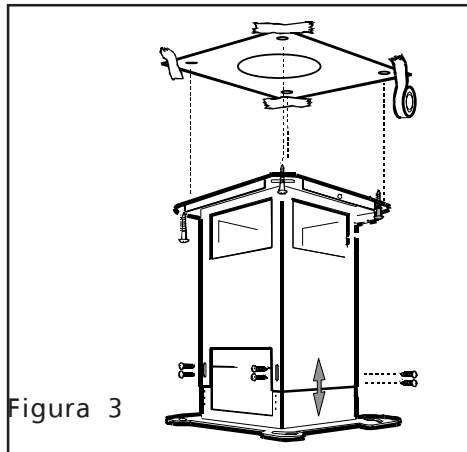
Cálculos que hay que realizar antes de la instalación.

1. a) Elija la altura de la campana P (vea figura n. 2) que sea cómoda para el usuario (permitida 30").
 b) Calcúle la altura H de la campana según su instalación (vea figura n.2).
 $H=K- C-P$
 c) Compruebe que la altura H esté dentro de la altura mínima y de la altura máxima permitidas Si no es así, cambie su instalación.
 d) Calcúle la altura de la estructura de la chimenea(soporte) S (use las formulas de la figura n. 2 y controle las dimensiones de su propia campana. Conserve estos cálculos que tendrá que utilizar durante la instalación.

Preparación de la superficie de instalación – Instalación de los soportes en el techo de cartón yeso.

Nota: Es necesario comprobar la longitud de la campana; su campana tiene que ser más larga que la encimera.

2. Señale el centro de la encimera en el techo. USE estas líneas que señalan el centro de la encimera para colocar correctamente la máscara de taladrar. Señale bien la posición indicada en la máscara de la parte de adelante, la parte de atrás,y de los orificios de sujeción.
3. Quite y conserve la máscara de taladrar . Corte y quite el cartón yeso del techo. Introduzca una tabla de madera de una longitud de 2"x4" entre las traviesas para dar a la chimenea puntos de sujeción como aparece indicado en la figura n. 4 y n. 5. Use la máscar de taladrar para para las dimensiones y los estorbos que se necesiten. Asegúrese de haber sujetado de forma estable la tabla de madera y nivele. Consulte a un profesional si tuviera algún problema con la instalación o se tratara de una instalación especial . Consulte la máscara de taladrar y las figuras n. 3-4-5.
 Tenga en cuenta el peso de la campana . (vea tabla n.1).
4. Instale el tubo de aspiración de 8". Los conectores hembra tienen que ser 4-1/2" por debajo del techo y sujetarlos fuertemente a las traviesas. No utilice nunca tubos más pequeños que la junta de transición.
5. Introduzca un tubo protector para los cables eléctricos en la posición indicada en la máscara de taladrar y mida la distancia S del techo.
6. Introduzca el cartón yeso en torno al tubo de aspiración y al tubo protector; remate después el techo.



Instalacion

Instalación del aparato

(Nota: podrían ser necesarias dos personas para la instalación)

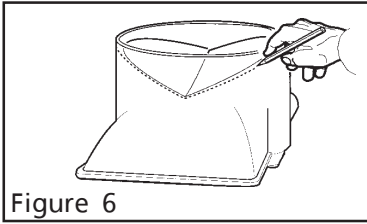


Figure 6

7. Instale la junta en el techo de la campana (si la hubieran quitado para transportar el aparato)
Introduzca (a presión) la válvula de no retorno en la junta
Señale fuera de la junta la posición de V de la válvula de no retorno interna Vea figura n. 6.
Nota: los tornillos del tubo pueden ponerse solamente por debajo de esta línea.

8. 1. Ajuste la altura del soporte a la medida S establecida en el párrafo n.1, página 5.

9. Apoye la estructura para montar la chimenea en la parte superior del cuerpo de la campana.
Coloque las tuercas sin apretarlas., vea figura n.7 y n.8.

10. Coloque el tubo en la junta de transición de tal manera que se encuentre 5-1/2" por debajo de la parte superior de la estructura de la chimenea, termine con el enganche macho.

11. Quite la estructura de la chimenea del cuerpo de la campana.

12. Introduzca el tubo. Sujete éste a la junta de transición con tornillos y cinta adhesiva especial. Sujete sin apretar la banda (adjunta) en plano respecto a la parte superior del tubo. Nota: los tornillos no tiene que obstaculizar o bloquear la válvula de no retorno. (va la figura n. 8 para la posición de los tornillos). Sujete sin apretar la banda (adjunta) en plano respecto a la parte inferior del tubo.

13. Para instalar la estructura de la chimenea (soporte) al techo utilice una llave de 10 mm o un destornillador con la cabeza plana. Realice los orificios de sujeción en el techo con el troquel. Sujete la estructura para montar la chimenea a las traviesas con 4 tornillos para madera con cabeza cuadrada adjuntos (mantenga 1-2" del tubo dentro de la estructura). Vea figura n.3

14. Para montar el cuerpo de la campana use una llave de 10 mm o regulable. Coloque las tuercas en la parte superior del cuerpo de la campana.

No apriete. Levante la campana hasta tocar la estructura que sujeta la chimenea para hacer que coincida. Apriete las tuercas con fuerza.

15. Entubado para todos los aparatos: Podría estar no más de 1" entre el tubo de la campana y el tubo de la casa. Coloque la banda entre los dos tubos. Apriete la banda. Sujete el tubo con los tornillos y con la cinta adhesiva especial. Realice el ajuste angular final a la parte que esta sujeta al techo si es necesario, después atornille con fuerza los 4 tornillos para madera si no lo hubiera hecho anteriormente.

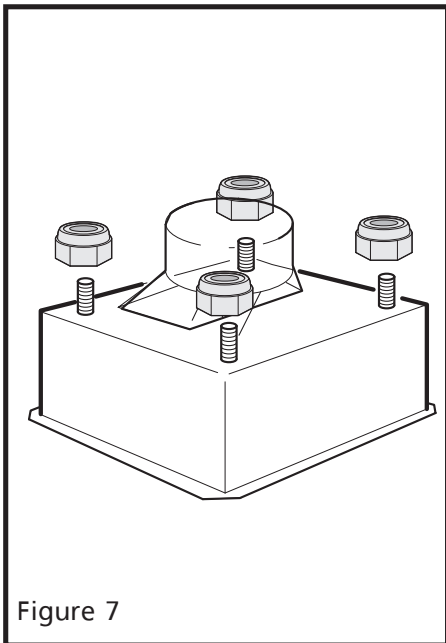


Figure 7

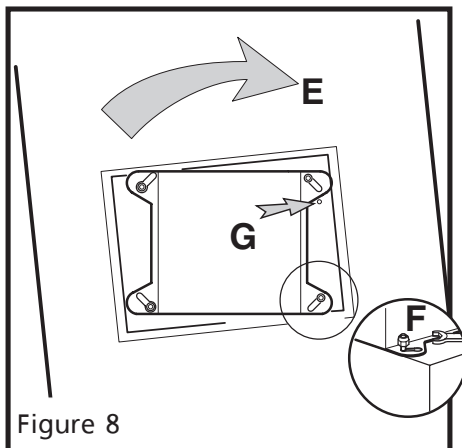
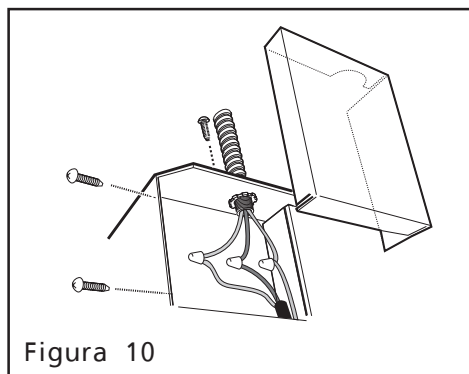


Figure 8

Instalacion



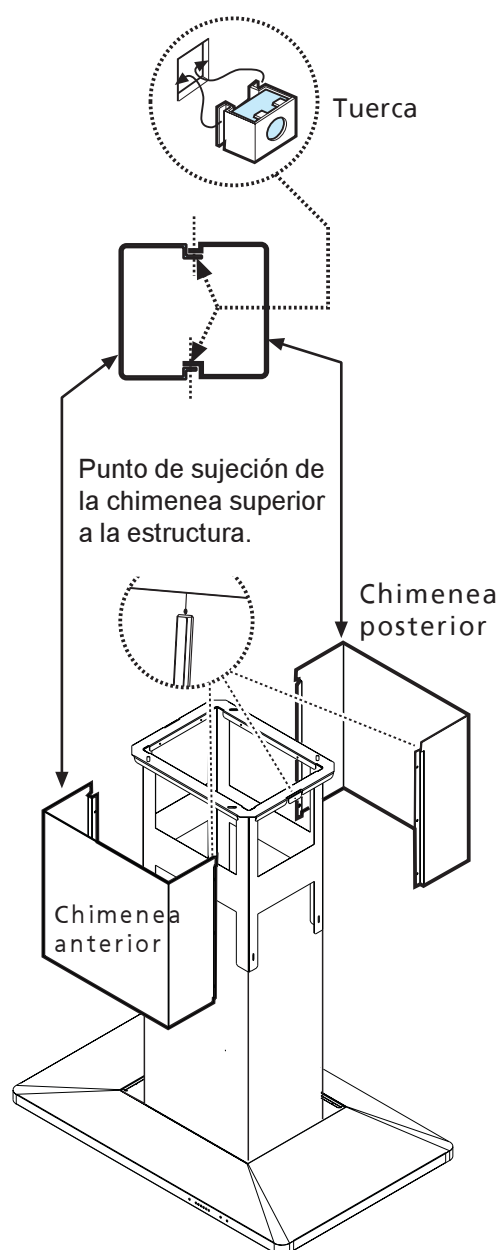
Conexión eléctrica

ATENCIÓN! INSTRUCCIONES PARA LA INSTALACION A TIERRA

ESTE APARATO CONTIENE UNA CAJA DE CONEXIONES CON TRES CABLES, UNO DE ELLOS (AMARILLO\VERDE) SIRVE PARA INSTALARLO A TIERRA. PARA PROTEGERSE DEL PELIGRO DE CORTOCIRCUITO EL CABLE AMARILLO\VERDE TIENE QUE ESTAR CONECTADO AL CABLE DE TIERRA DEL SISTEMA ELECTRICO DE SU CASA Y DE NINGUNA MANERA HAY QUE CORTARLO O QUITARLO.

Atención : corte la corriente del cuadro eléctrico antes de conectar el aparato. Es necesario un circuito derivado a 120VAC, 15 AMP

16. Quite la tapa de la caja para la conexión eléctrica como aparece indicado en la figura n.10.
17. Quite el knockout e introduzca el tubo de protección(1/2") en la caja eléctrica.
18. Coja 3 cables: uno negro, otro blanco y otro verde (#16AWG) e introduzca un tubo de 1/2" del cuadro eléctrico a la caja de conexiones.
19. Conecte el cable negro del cuadro eléctrico al cable rojo o negro de la caja de conexiones, el cable blanco con el blanco y el verde con el amarillo\verde, figura n. 10.
20. Cierre la tapa de la caja para la conexión eléctrica. Compruebe que todas las lámparas estén bien sujetas en el portalámparas. Conecte la corriente en el cuadro eléctrico. Compruebe que las lámparas y el motor funcionen bien siguiendo las instrucciones del capítulo Uso y cuidados de este manual. Instale los filtros.



Montaje final

Para la instalación de la chimenea NO UTILICE DESATORNILLADORES ELECTRICOS.

21. Introduzca las tuercas con los ganchos de sujeción adjuntos en el interior de las parte inferior y superior de las chimeneas en las guías rectangulares. . Figuras n. 11 y n. 12.
22. Una las dos partes de las chimeneas de manera que se cubra la estructura interna (soporte) con 4 tornillos (dos por cada lado – vea el dibujo)Figura n. 11.
23. Sujete las chimeneas a la estructura , cerca del techo, con 2 tornillos.. Figura n. 11

Figura 11

Instalacion

24. Una las dos secciones inferiores de las chimeneas de manera dque se cubra la estructura interna (soporte) con 6 tornillos (tres por cada lado. Vea el dibujo) Figura n. 12.

25. Deslice hacia abajo la parte inferior de las chimeneas a su sitio hasta que el bloque motor y la caja de conexiones queden cubiertos completamente

26. Use dos lenguetas (adjuntas) para cubrir los puntos de sujeción de la chimenea inferior.

ATENCIÓN! LAS LENGUETAS DE LA CHIMENEA INFERIOR SON LAS MAS ESTRECHAS..

Las lenguetas más grandes y más anchas son las de la chimenea superior y hay que cortarlas a medida. Figura n. 13.

Atención!

Las lenguetas hay que sujetarlas utilizando la cinta bi-adesiva adjunta (hay que usar dos trozos para cada lengüeta):

Corte la cinta adhesiva en 8 partes, quite la película protectora de los dos lados y coloque los trozos cerca de los tornillos que sujetan las chimeneas a la estructura.

NOTA: no apriete demasiado para no deformar el metal.

Conecte otra vez la corriente del cuadro eléctrico y compruebe que la campana funcione bien..

27. Asegúrese de que este manual es entregado al propietario.

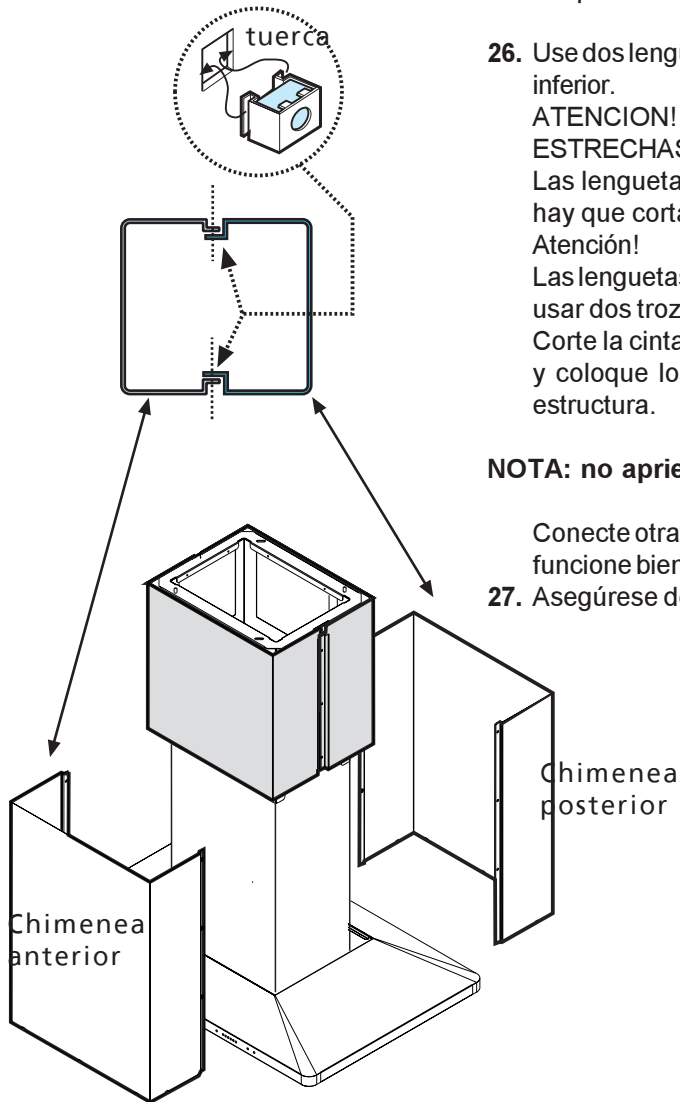


Figura 12

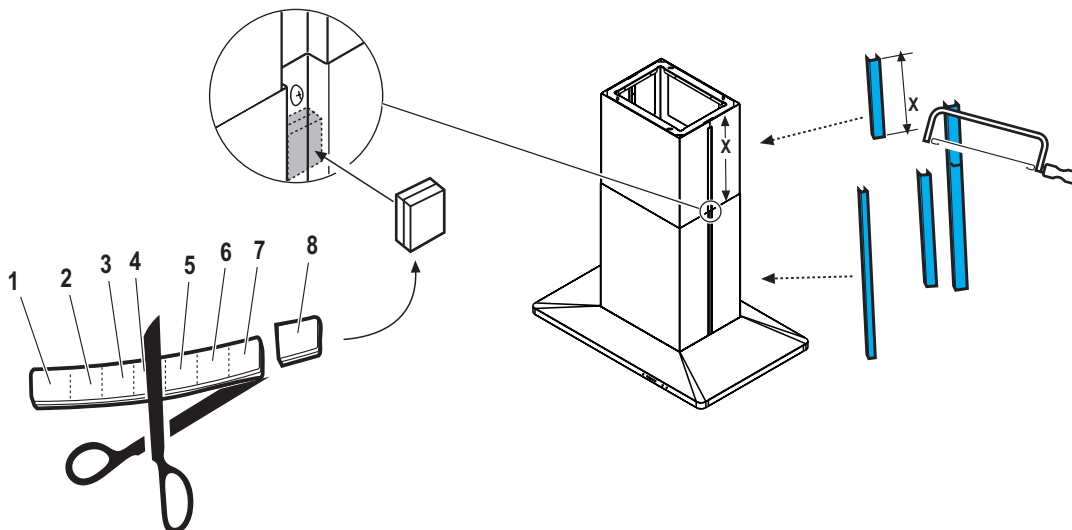


Figura 13

Uso y Mantenimiento

Funciones del panel de mando

LEA ATENTAMENTE LAS INSTRUCCIONES ANTES DE UTILIZAR LA CAMPANA.
Para utilizar de forma correcta su campana es necesario que aprenda las distintas funciones de la misma que aparecen descritas a continuación.

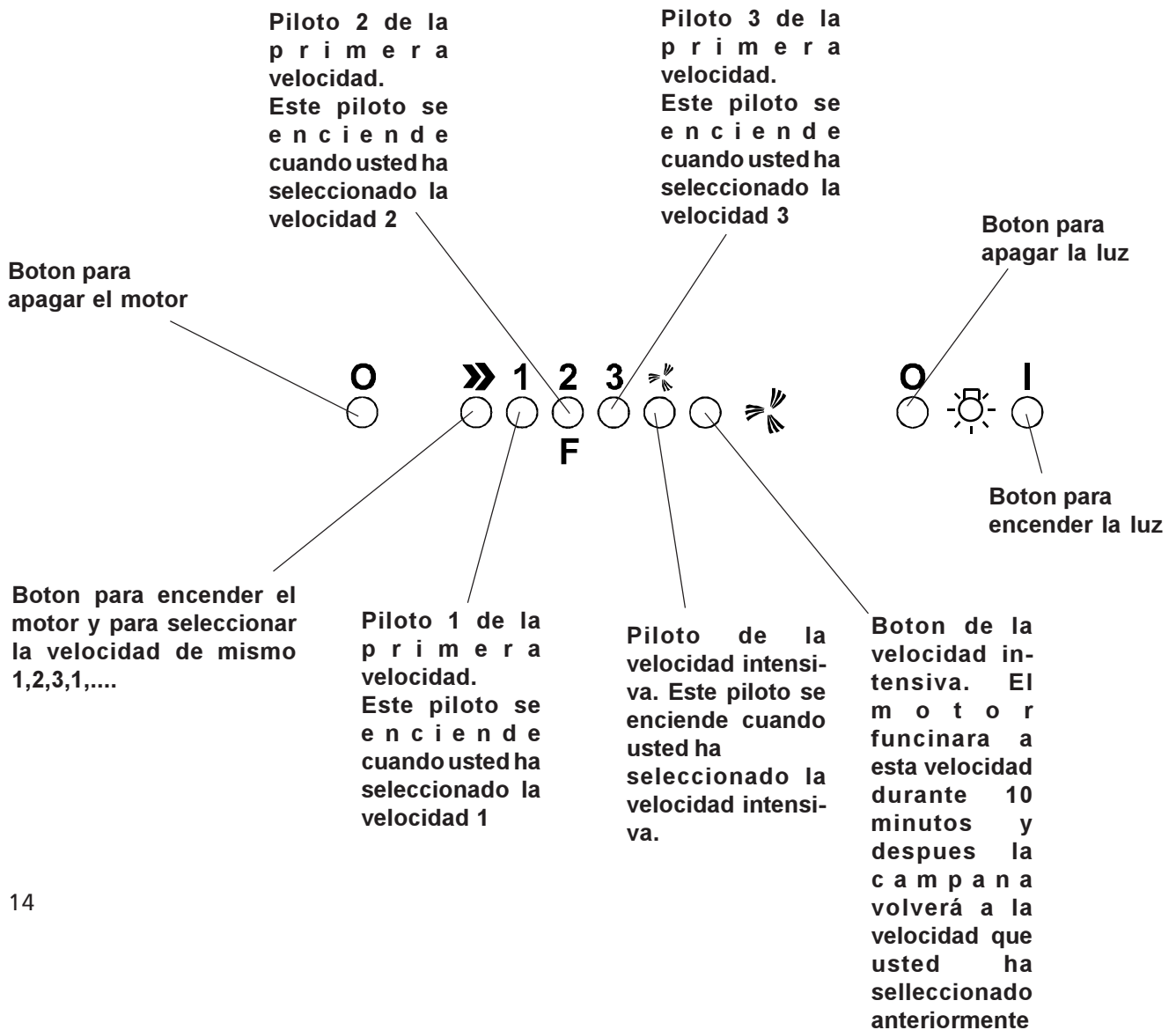


Figura 14

PILOTO que indica la saturación de los filtros.

El LED 2 que indica la segunda velocidad aparece indicado con la letra F. Este PILOTO se pondrá intermitente para indicar cuando hay que limpiar los filtros antigrasa, después de 40 horas de uso. Para limpiar los filtros siga las instrucciones indicadas en este manual. Cuando los filtros estén limpios ponga en reset la función pulsando el botón que apaga el motor durante 3 segundos hasta que no oiga la señal acústica.(bip).

Si el PILOTO 3 que indica la tercera velocidad se pone intermitente pulse al mismo tiempo el botón para encender el motor y el botón de la velocidad intensiva durante más de 3 segundos para interrumpir la luz intermitente.

Instrucciones para el funcionamiento

Tiene que hacer funcionar el motor al menos 5 minutos **antes** de empezar a cocinar para que se establezcan las corrientes de aire hacia arriba en el interior de la campana.

Utilice las velocidades bajas para un uso normal y las velocidades más altas para olores fuertes y humos densos. Reduzca al mínimo las corrientes de aire cruzadas, pues pueden disminuir la eficacia de la campana.

Limpeza de la campana

Asegúrese de que las lámparas se hayan enfriado antes de limpiar la campana.

Limpeza de los filtros.

- Los filtros antigrasa metálicos duran para siempre. Se han realizado en aluminio anodizado.
- Se aconseja lavar los filtros una vez al mes; se pueden lavar a mano o en lavavajillas..
- Saque el agua de los bordes y deje que se seque completamente antes de volver a montarlo.

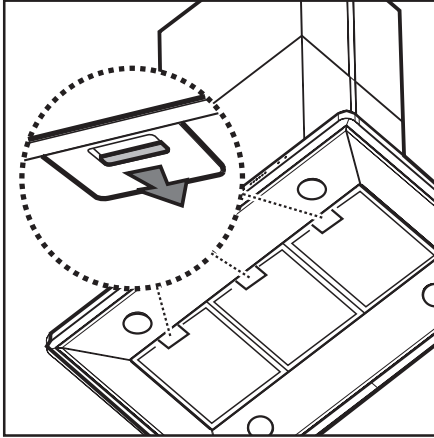


Figure 15

Cómo extraer los filtros antigrasa metálicos

- Desconecte la campana de la red eléctrica.
- Empuje de las asas hacia atrás y tire de los filtros hacia abajo.
- Desenganche los filtros y sáquelos.

Cómo volver a montar los filtros antigrasa metálicos

Siga el procedimiento a la inversa.

Limpeza de la superficie de la campana

- Para la limpieza ordinaria frote las campanas de acero, blanco, negro o de cristal con agua y jabón o con productos para la limpieza de la casa como Fantastic® o Formula 409®, enjuague bien y seque con un paño blando húmedo para evitar las manchas producidas por el agua.
- Frote y deje secar el aluminio cepillado en la misma dirección de las vetas.
- Para quitar las huellas de dedos y dar mayor brillo al acero, utilice productos en spray como por ejemplo Stainless Steel Magic® y Shimmer®.

Cambio de las lámparas

Turn off electric power to hood before removing light cover.

Nota: apague el motor y la luz. Asegúrese de que las lámparas se hayan enfriado. Si las lámparas nuevas no funcionan asegúrese de que estén correctamente instaladas antes de avisar el servicio de asistencia técnica.

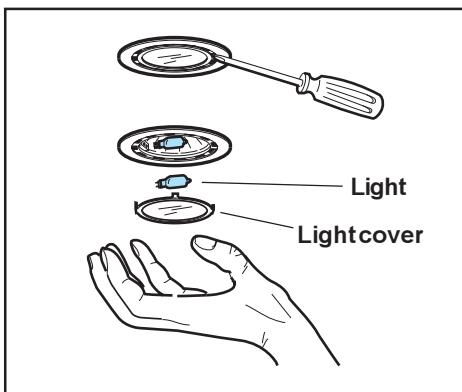


Figure 16

- Quite el cubrelámpara utilizando un destornillador pequeño con la punta plana o una herramienta similar a una palanca.
- Quite la lámpara estropeada y cámbiela por otra nueva halógena de 12 Volt, 20 Watt (máximo) con base G-4. Siga las indicaciones que se encuentran en la caja y no toque la lámpara nueva con las manos desnudas..
- Vuelva a montar el cubrelámpara (apriete hasta que no suene el clic).

