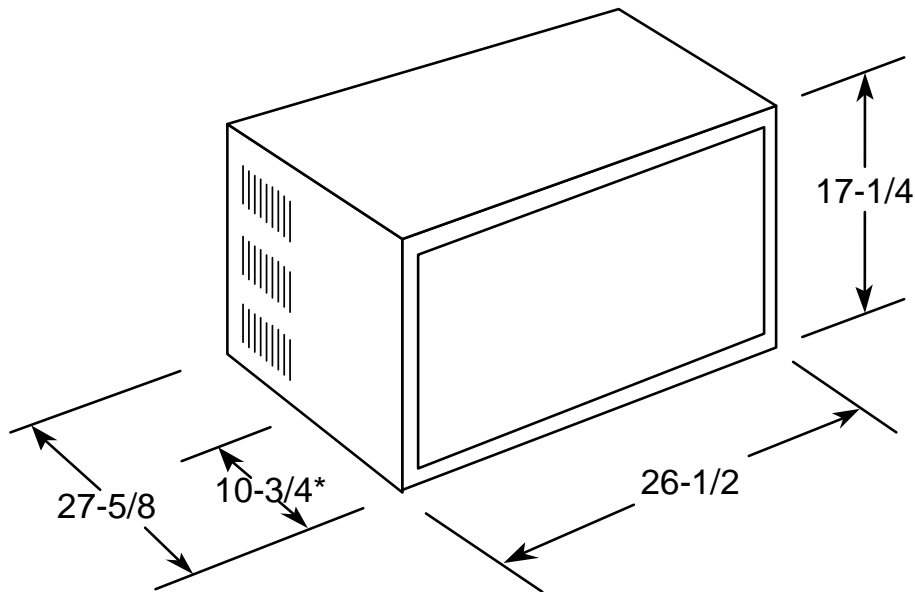




GE Appliances

AVN24DA - GE Quiet-Aire™ 230 Volt Room Air Conditioner

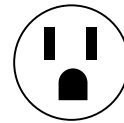
Wall Case Dimensions (in inches)



*Distance from front of case to side louvers (excluding grille).

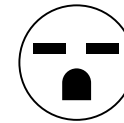
Note: When installing units through-the-wall applications, keep louvers free. Do not restrict air flow areas. Fixed chassis units are not designed for through-the-wall applications.

Parallel



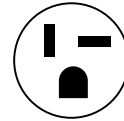
115V
15 Amp

Tandem



230/208V
15 Amp

Perpendicular



230/208V
20 Amp

Wall Outlets: All wiring including installation of receptacle must be made in accordance with local electrical codes and regulations. Electrical outlet should be in reach of line cord.

Note: Aluminum wiring may pose special problems—consult a qualified electrician.

For answers to your Monogram®, GE Profile Performance Series™, GE Profile™ or GE appliance questions, call GE Answer Center® service, 800.626.2000.



Total capacity and E.E.R. ratings are calculated based on the Association of Home Appliance Manufacturers' standards.

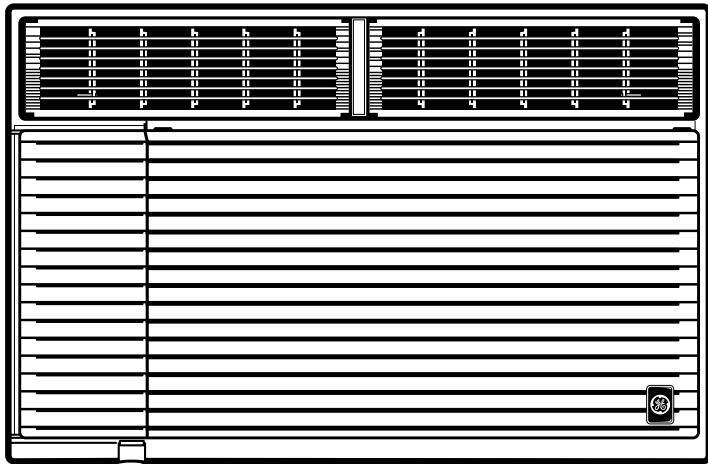


Listed by Underwriters Laboratories



GE Appliances

AVN24DA - GE Quiet-Aire™ 230 Volt Room Air Conditioner



Features and Benefits

- Contemporary White Front
- 23,500/23,000 BTUH / 8.7/8.7 EER / 230/208 Volts
- 8-Position Thermostat
- 2 Cooling / 2 Fan Speeds
- 2,700/2,640 Watts / 13.5/14.4 Amps
- 8.2 Dehumidification (pints/hr)
- 500 CFM
- Slide-Out Chassis
- Energy Saver Switch for Reduced Energy Consumption (2 Speeds)
- Easy Access Rigid Frame, Slide-Out Filter
- Hidden Controls Provide a Clean Contemporary Appearance
- Exhaust for Air Exchange
- Plug Type - Perpendicular
- EZ Mount Window Installation
- Model AVN24DA-White