

Models/Modelos

721.62622

721.62624

721.62629

721.62642

721.62643

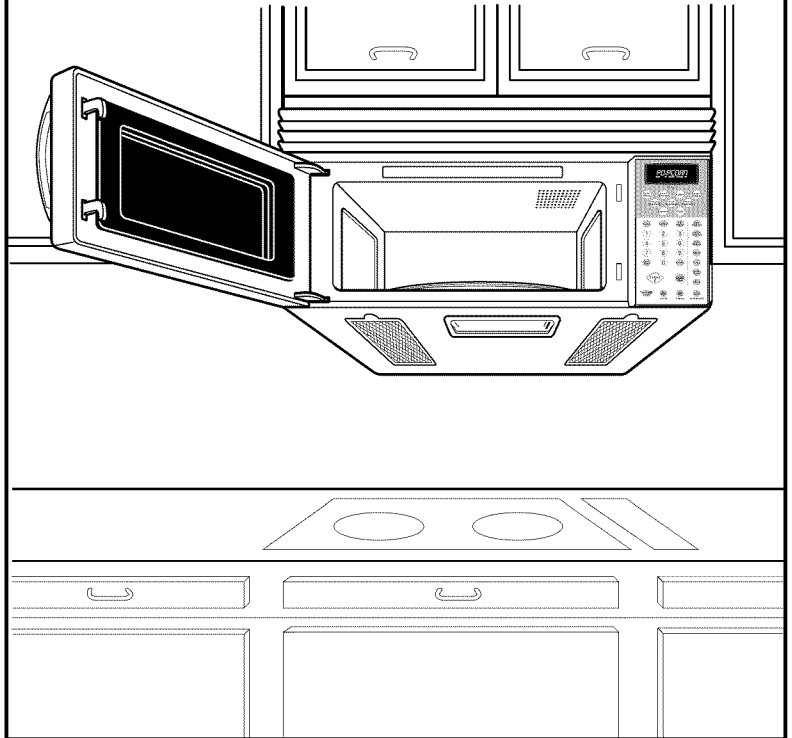
721.62644

721.62649

Read and save these
installation instructions.

Lea y guarde estas
instrucciones de
instalación

INSTALLATION INSTRUCTIONS
INSTRUCCIONES DE INSTALACIÓN



ENGLISH

ESPAÑOL



Microwave Hood Combination
Combinación Microondas Campana

YOUR SAFETY FIRST

BEFORE YOU START

● Proper installation is the installer's responsibility!

- Read the entire manual before you begin.
- The model number label is located on the oven front. See **Figure 1**.
- Mounting plate is located on back side of microwave oven. See **Figure 2**.

BE SURE TO READ THE FOLLOWING SAFETY INSTRUCTIONS:

ENGLISH

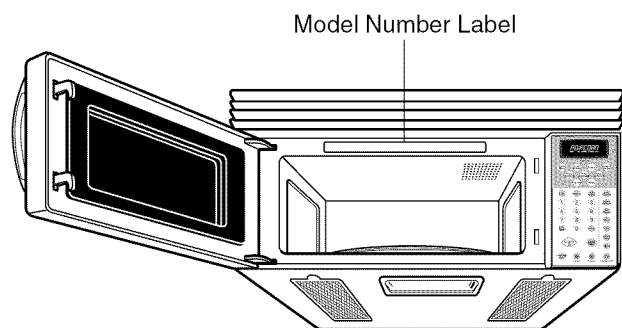
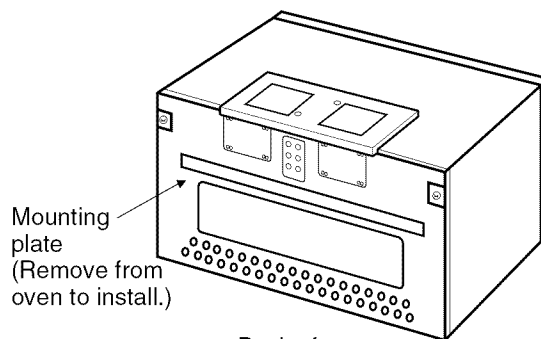


Figure 1



Back of oven

Figure 2

⚠ WARNING ⚠

FOR YOUR SAFETY:

- You will need TWO people to install this oven. It is heavy and could cause personal injury if not handled properly. The dimensions of the oven are as follows:

Height : 16-7/16 inches
Width : 29-15/16 inches
Depth : 15-3/8 inches
Weight : 52 pounds

● AVOID ELECTRICAL SHOCK!

- Before you drill into the wall, note where electrical outlets are and where electrical wires might be concealed behind the wall.
YOU COULD GET AN ELECTRIC SHOCK if you contact electrical wires with your drill bit.
- Locate and disconnect the power of any electrical circuits that could be affected by installing this oven.
IF YOU DO NOT DISCONNECT THE POWER, YOU COULD GET AN ELECTRIC SHOCK.

● ELECTRICAL RATING OF THIS OVEN : 120V, 60Hz.

- 14 Amps / 1500 Watts (Microwave oven + Cooktop Lamp + Ventilation Fan)
- You need a 120V, 60Hz, AC only, 15A or 20A, fused electrical supply (located in the cabinet above the microwave as close as possible to the microwave circuit) serving only the microwave.

YOUR SAFETY FIRST

● THIS APPLIANCE MUST BE GROUNDED!

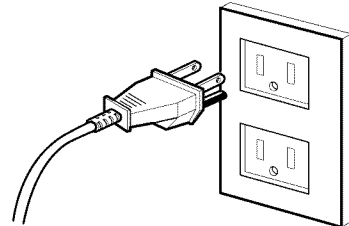
– If there is an electrical short circuit, grounding reduces the risk of electrical shock by providing an escape wire for the electric current. This appliance is equipped with a cord having a grounding wire with a grounding plug.

- Place the plug into a properly installed and grounded outlet. See **Figure 3**.
- Do not use an extension cord.
- Keep the power cord dry and do not pinch or crush it.

● DO NOT, UNDER ANY CIRCUMSTANCES, REMOVE THE POWER SUPPLY CORD GROUNDING PRONG!

This appliance **MUST** be grounded!

PROPERLY POLARIZED AND GROUNDED OUTLET



Three-Pronged (Grounding) plug

Figure 3

▲ WARNING ▲

If you use the grounding plug improperly, you risk electric shock!

- Check with a qualified electrician if you are not sure whether the oven is properly grounded or if you do not completely understand the grounding instructions.
- DO NOT USE A FUSE IN THE NEUTRAL OR GROUNDING CIRCUIT.

▲ WARNING ▲

Improper grounding could result in electric shock or other personal injury.

SAVE THESE INSTRUCTIONS FOR THE LOCAL ELECTRICAL INSPECTOR'S USE.

● DO NOT EXPOSE YOURSELF TO EXCESSIVE MICROWAVE ENERGY!

- DO NOT try to operate the microwave oven with the door open.
- DO NOT tamper with or defeat the safety interlocks.
- DO NOT place objects between the microwave oven front face and the door.
- DO NOT allow soil or cleaner residue to build up on the flat surfaces around the microwave oven door.
- DO NOT operate the microwave oven if it is damaged.
- The microwave oven door must close properly to operate safely.
- DO NOT use the microwave oven:
 - If the door is bent.
 - If the hinges or latches are broken or loose.
 - If the door seals, sealing surfaces or glass is broken.
- DO NOT attempt to adjust or repair the oven yourself!
It should be adjusted and repaired by a qualified technician who can check for microwave leakage after repairing the oven.

▲ WARNING ▲

If you do not use the microwave oven as instructed, you could be exposed to excessive microwave energy.

YOUR SAFETY FIRST

● MAKE SURE YOU HAVE ENOUGH SPACE AND SUPPORT.

- Mount the oven against a flat, vertical wall, so that it is supported by the wall. The wall should be constructed of minimum 2" x 4" wood studding and 3/8" thick drywall or plaster/lath.
- ATTACH AT LEAST ONE of the two lag screws supporting the oven to a vertical, 2" x 4" wall stud.
- DO NOT mount the microwave oven to an island or peninsula cabinet.
- BE SURE the upper cabinet and rear wall structures are able to support 150 lbs., plus the weight of any items you place inside the oven or upper cabinet.
- Locate the oven away from strong draft areas, such as windows, doors, and strong heating vents.
- BE SURE you have enough space. See **Figure 4** below for minimum vertical and horizontal clearance.

▲ WARNING ▲

If you do not mount the oven as instructed, you risk personal injury and/or property damage.

ENGLISH

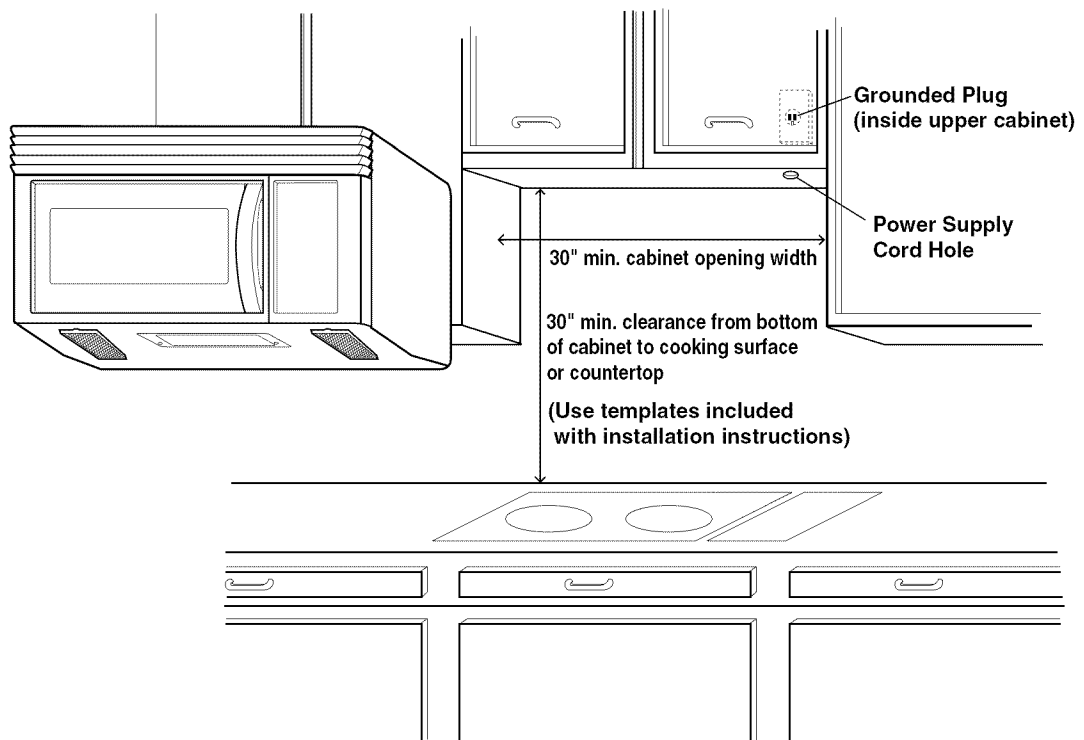


Figure 4

▲ CAUTION ▲

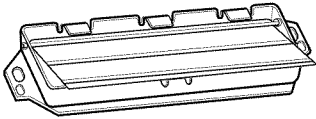
- Before you begin installing the oven, PLACE A PIECE OF THE CARTON OR OTHER HEAVY MATERIAL (a blanket) over the countertop or cooktop to protect it. **Do not use a plastic cover.** Failure to protect these surfaces could result in property damage.

PARTS, TOOLS, MATERIALS

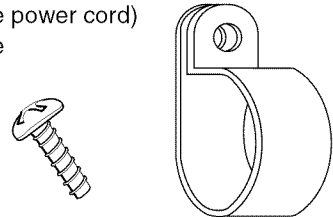
THE FOLLOWING PARTS ARE SUPPLIED WITH THE OVEN:

NOTE: Depending on your ventilation requirements, you may not use all of these parts.

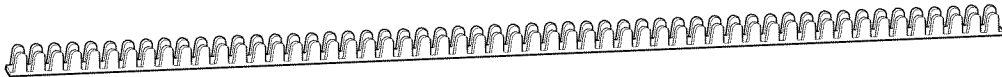
Damper/duct connector
(for roof vented or wall vented installation)
Not Actual Size



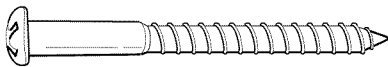
**One power cord clamp and
One dark-colored mounting screw**
(to hold the power cord)
Actual Size



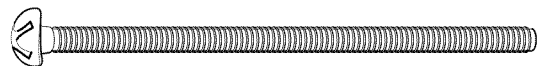
One power cord clamp bushing - Actual Size (for the cord hole in a metal upper cabinet)



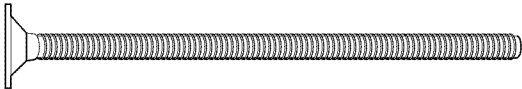
Four 1/4" x 2" lag screws - Actual Size
(for wall stud holes)



Four 1/4" x 3" toggle bolts - Actual Size
(for drywall holes)



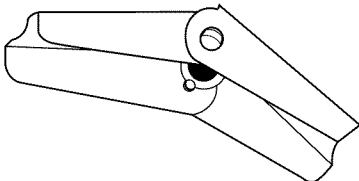
Two 1/4" x 3" bolts - Actual Size
(for securing to the upper cabinet)



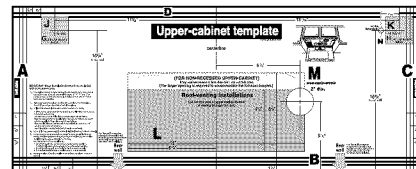
Two tapping screws - Actual Size
(for attaching the damper duct connector)



Four spring toggle heads - Actual Size
(for the toggle bolts)



One upper cabinet template - Not Actual Size



NOTE: You need to install at least one lag screw into a 2" x 4" stud and four anchor bolts into the wall, and the mounting area must meet the 150 lbs. weight requirement.

PARTS, TOOLS, MATERIALS

YOU WILL NEED THE FOLLOWING TOOLS AND MATERIALS FOR THE INSTALLATION:

Carton or other heavy material for covering the counter top.

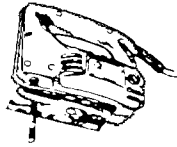
Clear tape
(for taping the templates to the wall)



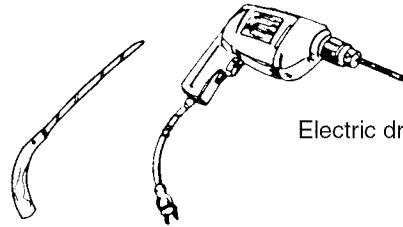
Stud finder or thin nail.



Saber saw (for cutting vent holes for roof or wall venting)



Key hole saw (for the power cord hole)



Electric drill

Phillips screwdriver (for the screws)



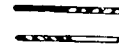
3/8" and 3/4" wood drill bits



Pencil



1/2" and 3/16"
drill bits



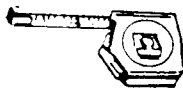
Flat blade screwdriver (for the bolts)



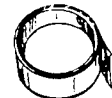
Plumb line



Measuring tape (metal preferred)



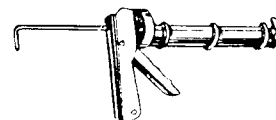
Duct Tape



Small side cutters or tin snips



Caulking gun



- If you have brick or masonry walls, you need special hardware and tools.
- The ductwork you need for the installation is not included. All wall and roof caps must have a back-draft damper.

STEP 1: PREPARE THE ELECTRICAL CONNECTIONS

⚠ WARNING ⚠

AVOID ELECTRICAL SHOCK! THIS APPLIANCE MUST BE GROUNDED!

1. Locate the grounded electric outlet for this oven in the cabinet above the oven, as shown in **Figure 4 Detail**.

NOTE: The outlet should be on a circuit dedicated to the microwave oven 120V, 60Hz., AC only, with a 20ampere fused electrical supply.

IMPORTANT: If you do not have the proper wall outlet, you **MUST** have one installed by a qualified electrician.

2. You will cut the power-supply-cord hole (shown in **Figure 4 Detail**) later when you prepare the wall and upper cabinet in Step 4.

NOTE: Do not use an extension cord.
Keep the power cord dry and do not pinch or crush it.

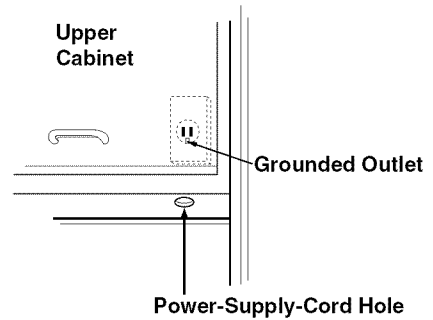


Figure 4 Detail

ENGLISH

⚠ WARNING ⚠

Improper grounding could result in electric shock or other personal injury.

- **DO NOT, UNDER ANY CIRCUMSTANCES, REMOVE THE POWER SUPPLY CORD GROUNDING PRONG!**
- **This appliance MUST be grounded!**

STEP 2: PREPARE THE VENTING SYSTEM

NOTE: The ductwork you need for outside ventilation is not included with your oven. The standard ductwork fittings and length are shown in **Figure 9**, page 9.

⚠ WARNING - FIRE HAZARD ⚠

THIS OVEN MUST BE PROPERLY VENTED!

You may vent your oven in one of three ways:

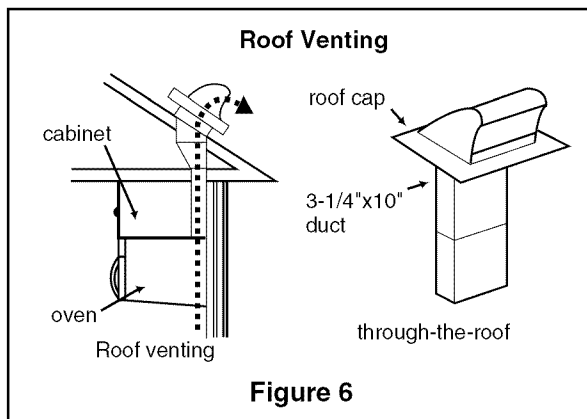
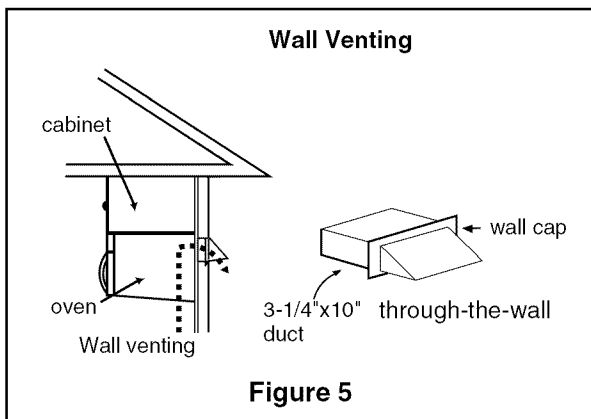
Roof Venting If your oven is located on an outside wall near the roof, as in **Figure 6** (3-1/4" x 10" duct) and **Figure 8** (6" round duct.)

Wall Venting If your oven is located on an outside wall on the first floor of your house, as in **Figure 5** (3-1/4" x 10" duct) and **Figure 8** (6" round duct.)

Room Venting If your oven is located on an inside wall of your house, as in **Figure 7**.

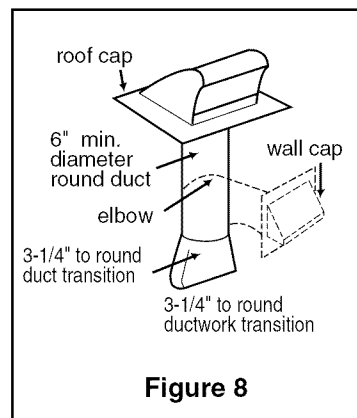
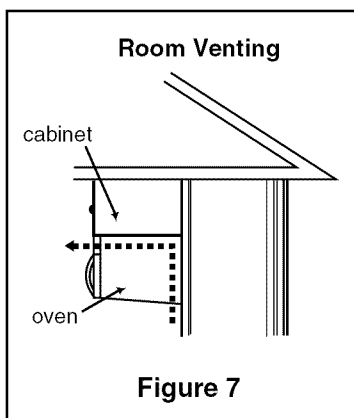
NOTE: If you choose the rear exhaust method (roof or wall venting), be sure there is enough clearance within the wall for the exhaust duct.

ENGLISH



REMEMBER AS YOU INSTALL THE VENTING:

- Keep the length of the ductwork and the number of elbows to a minimum to ventilate your oven efficiently. See examples on page 9.
- Keep the size of the ductwork the same.
- Do not install two elbows together.
- Use duct tape to seal all joints in the duct system.
- Use caulking to seal the exterior wall or roof opening around the cap.



STEP 2: PREPARE THE VENTING SYSTEM

STANDARD FITTINGS

NOTE: If the existing duct is round, you must use a rectangular-to-round adapter, with a rectangular 3" extension duct installed between the damper assembly and the adapter to prevent the exhaust damper sticking.

DUCT LENGTH

The total length of the duct system, including straight duct, elbows, transitions, wall or roof caps **must not exceed the equivalent of 140 feet.**

For best performance, do not use more than three 90 degree elbows.

Below are the standard fittings and their equivalent length in feet.

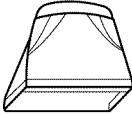
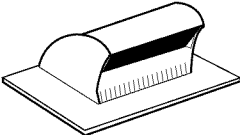
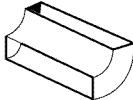

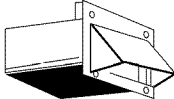
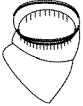
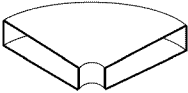
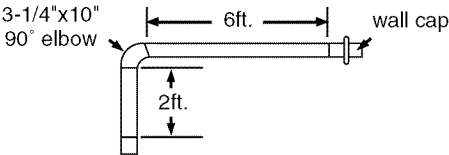
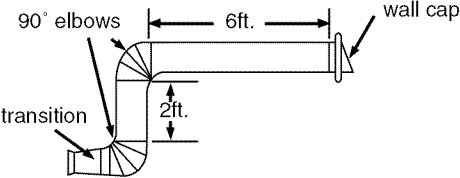
| | | | |
|--|--|---|--|
|  |  |  | |
| 3-1/4"x10" to 6" = 5ft. | 3-1/4"x10" roof cap = 24ft. | 3-1/4"x10" 90° elbow = 25ft. | |
|  |  |  |  |
| 90° elbow = 10ft. | 3-1/4"x10" wall cap = 40ft. | 45° elbow = 5ft. | 3-1/4"x10" flat elbow = 10ft. |

Figure 9

To calculate the equivalent length of each duct piece used, see the examples below.

| Examples | |
|---|--|
| <p>For 3-1/4"x10" SYSTEMS</p>  | <p>For 6" ROUND SYSTEMS</p>  |
| <p>1 3-1/4" x 10" 90° elbow = 25 ft.</p> <p>1 wall cap = 40 ft.</p> <p>8 feet straight duct = 8 ft.</p> <p>TOTAL LENGTH = 73 ft.</p> | <p>1 transition = 5 ft.</p> <p>2 90° elbows = 20 ft.</p> <p>1 wall cap = 40 ft.</p> <p>8 feet straight = 8 ft.</p> <p>TOTAL LENGTH = 73 ft.</p> |

ENGLISH

STEP 3:

PREPARE THE VENTING BLOWER

Your microwave oven is shipped with the blower assembled for room venting (recirculating). You need to adjust the blower if you want wall vented or roof vented installation.

⚠ WARNING ⚠

ELECTRICAL SHOCK HAZARD! UNPLUG UNIT BEFORE WORKING ON IT.

- DO NOT PULL OR STRETCH THE BLOWER WIRING! Pulling and stretching the blower wiring could result in electrical shock.

ENGLISH

REMOVE THE MOUNTING PLATE:

1. Remove any shipping materials and parts from inside the microwave oven.
2. Cover the counter top or cooktop with a thick, protective covering to protect it from damage and dirt. See **Figure 10**.

NOTE: If you have a free-standing range, disconnect it, move it onto a piece of cardboard or hardboard and pull it away from the wall, so that you can get closer to the upper cabinet and back wall for easier measuring and drilling.

3. Remove mounting plate 2 screws from the mounting plate as shown and discard them. (See **Figure 11**.)
4. The mounting plate will also be used to locate and mark the mounting holes on the rear wall.
5. Locate exhaust adaptor, grease filters and hardware packet.
6. At this point, remove any adhesive tape (if there is any), on the exhaust adaptor, the grease filters and the power supply cord.

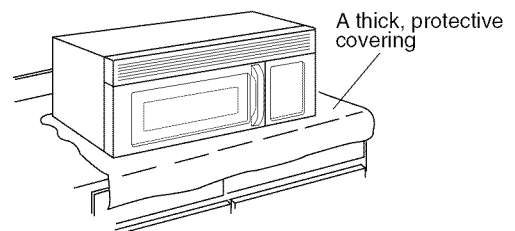


Figure 10

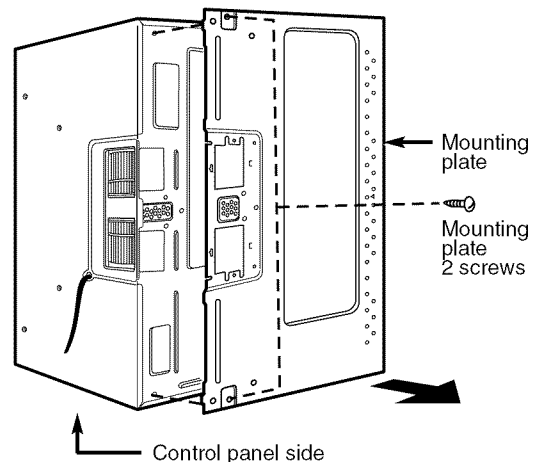


Figure 11

ROOM VENTED INSTALLATION:

Go to **STEP 4, PREPARE THE WALL AND UPPER CABINET FOR INSTALLATION** located on page 13.

STEP 3: PREPARE THE VENTING BLOWER

WALL VENTED INSTALLATION:

1. Remove one blower unit mounting screw and two blower plate screws. Remove the blower plate from cabinet. See **Figure 12**.
2. Carefully lift the blower unit out of the microwave oven. Disconnect the blower wire from connector. See **Figure 13**.
3. Use side cutters or tin snips to cut and remove knockouts "B" from Back plate. Discard knockouts. Be careful not to distort the plate. See **Figure 14**.
4. Rotate the unit so that the exhaust ports face the rear of the cabinet. See **Figure 15**. Before you insert blower unit, blower wire must be like **Figure 15**.
5. Reassemble the blower wire into the connector.
6. Place blower unit back into cabinet. Check that the exhaust ports face towards the rear of the cabinet. See **Figure 16**.
7. Reattach the blower plate to the top of the cabinet as it was originally assembled. Attach with one blower unit mounting screw and then two blower plate mounting screws. See **Figure 17**.
8. Go to **STEP 4, PREPARE THE WALL AND UPPER CABINET FOR INSTALLATION** located on page 13.

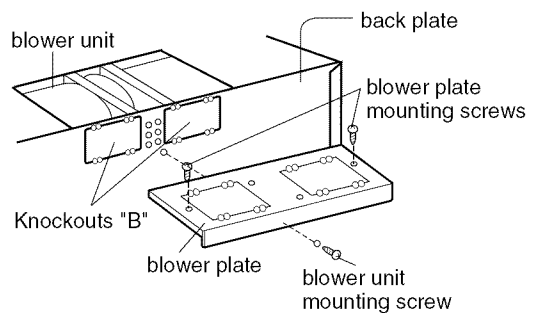


Figure 12

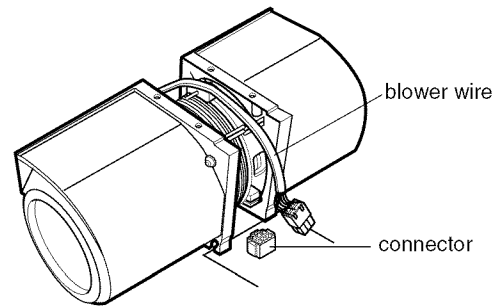


Figure 13

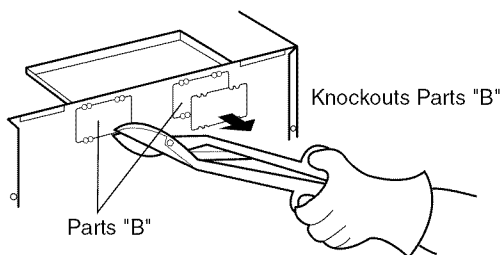


Figure 14

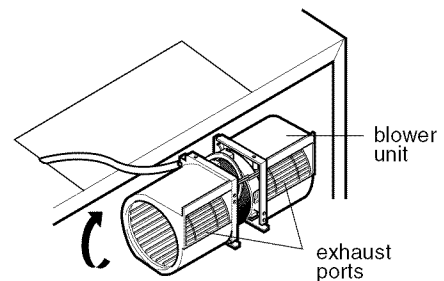


Figure 15

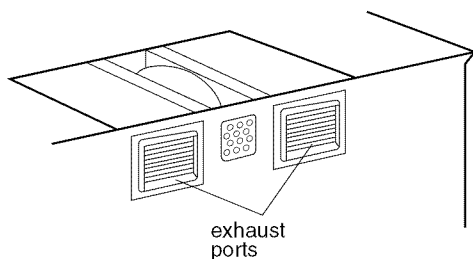


Figure 16

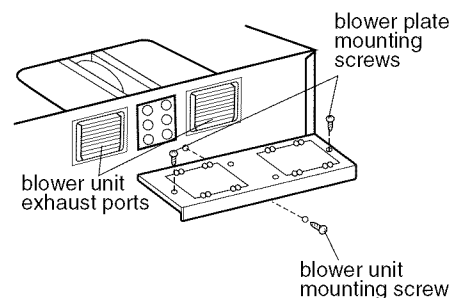


Figure 17

STEP 3: PREPARE THE VENTING BLOWER

ROOF VENTED INSTALLATION:

1. Remove one blower unit mounting screw and two blower plate screws. Remove the blower plate from cabinet. See **Figure 18**.

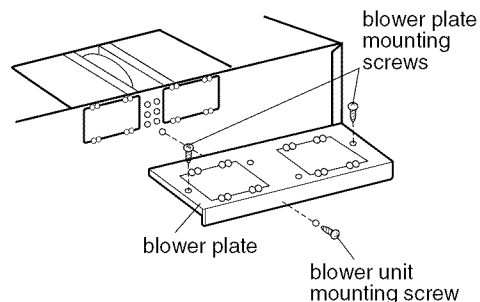


Figure 18

2. Carefully lift the blower unit out of the microwave oven.

3. Rotate blower unit 90° so the exhaust ports face the top of the cabinet. See **Figure 19**.

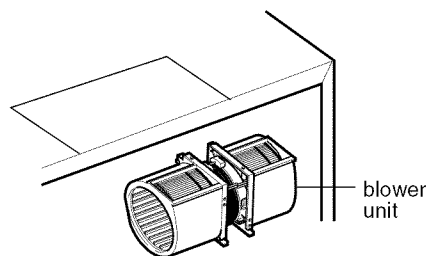


Figure 19

4. Place blower unit back into microwave oven.

5. Use side cutters or tin snips to cut and remove knockouts "A" from blower plate. Discard knockouts. Be careful not to distort the plate. See **Figure 20**.

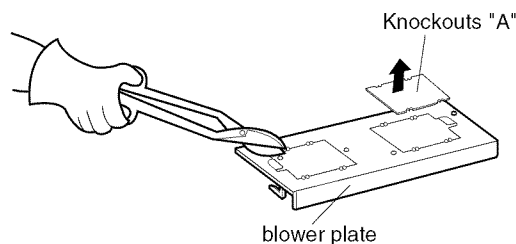


Figure 20

6. Reattach blower plate to microwave oven. Attach with the one blower unit mounting screw and then the two blower plate mounting screws. See **Figure 21**.

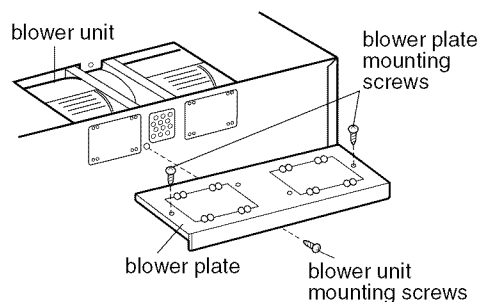


Figure 21

STEP 4: PREPARE THE WALL AND UPPER CABINET FOR INSTALLATION

MEASURE AND TACK / TAPE UP THE TEMPLATE

1. Using a plumb line and (metal) measuring tape, find and mark the vertical center line (V) on the back wall, as in **Figure 22**.
2. Find and mark one or two points where the studs are on the wall (Studs are normally 16 inches apart.) and then measure and mark the stud locations. If you cannot find any wall stud, consult a local building contractor.

⚠ CAUTION ⚠

DO NOT ATTEMPT TO INSTALL THE MICROWAVE OVEN IF YOU CANNOT FIND A WALL STUD.

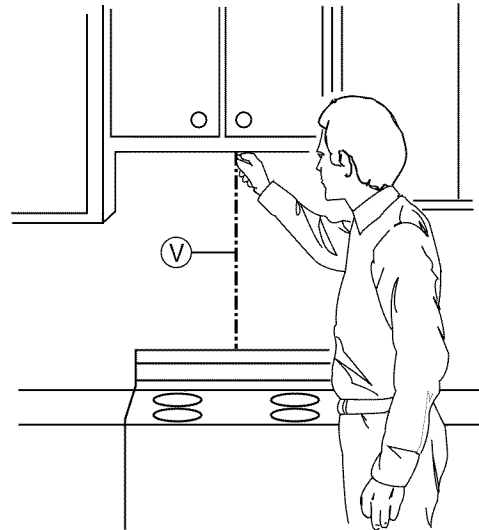


Figure 22

3. Line up the plumb line on the wall with the center line on the mounting plate.

NOTE: Be sure the minimum width is 30 inches and the distance from the top of the mounting plate to the range or counter top is at least 30 inches. See **Figure 4** on page 4.

4. Center mounting plate in opening by lining up the plumb line on wall with centerline on mounting plate. Make sure the minimum width is 30 inches and that the top of the mounting plate is located a minimum of 30 inches above the cooking surface. See **Figure 23**.

NOTE: If the front edge of the cabinet is lower than the back edge, adjust the mounting plate to be level with the cabinet front.

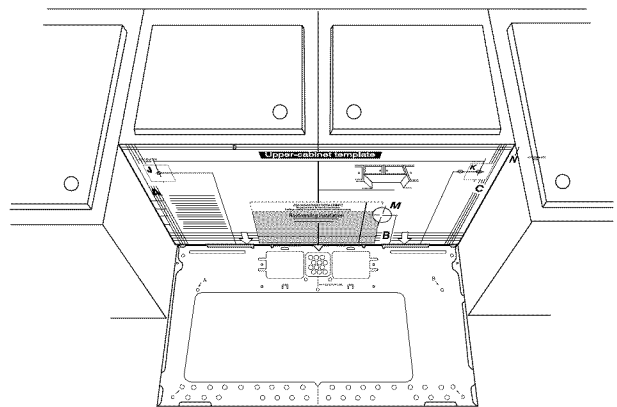


Figure 23

5. Measure the bottom of the upper cabinet frame. Trim the edges "A", "B" and "C" on the upper cabinet template so that the template will fit on the bottom of the upper cabinet. If upper cabinet has a recessed frame, trim template so that it fits inside the recessed area. Align the centerline of the upper cabinet template with the centerline of the mounting plate; then securely tape or tack the upper cabinet template in place. See **Figure 23**.

STEP 4: PREPARE THE WALL AND UPPER CABINET FOR INSTALLATION

DRILL THE HOLES IN THE WALL AND UPPER CABINET.

⚠ WARNING ⚠

BE VERY CAREFUL WHEN DRILLING HOLES INTO THE WALL.

Electrical wires could be concealed behind the wall covering and if the drill hits them you could get an electric shock.

1. Find the points on the mounting plate labeled "A", "B", "C" and "D". Drill a 3/16" diameter hole at any of these points that are in front of a wall stud. Drill a 3/4" diameter hole at any of these points that are over drywall.
2. Drill a 3/8" hole at points "J" and "K" on the upper cabinet template.
NOTE: If the bottom of the upper cabinet is recessed 3/4" or more, you will need 2"x2" filler blocks (not included) to provide additional support for the bolts. See **Figure 24**.
 - Mark the center of each filler block and drill a 3/8" diameter hole at the mark.
 - Align filler blocks over the two openings in the top of the microwave oven cabinet and attach to cabinet with masking tape. See **Figure 25**.
3. Cut or drill a 2" diameter hole at the area marked "M", "power supply cord hole" on the upper cabinet template. If the upper cabinet is metal, you will need to cover the edge of the hole with the power supply cord bushing (supplied) to prevent damage to the cord from the rough metal edge.

⚠ WARNING ⚠

YOU MUST COVER THE EDGE OF THE POWER SUPPLY CORD HOLE IN A METAL CABINET WITH THE POWER SUPPLY CORD BUSHING. FAILURE TO DO SO COULD RESULT IN DAMAGE TO THE CORD AND ELECTRIC SHOCK.

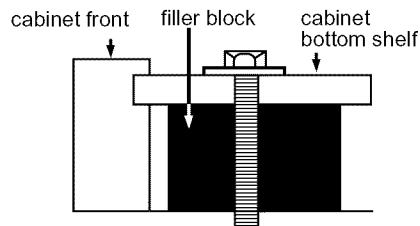


Figure 24

4. Cut out the venting areas (with the saber saw):
 - Roof Venting: cut out the shaded area marked "L" on the upper cabinet template.
 - Wall or Room Venting (Recirculating): go to STEP 5, INSTALL THE MOUNTING PLATE, located on page 15.
5. Use caulking compound to seal the exterior wall or roof opening around the wall cap or roof cap.

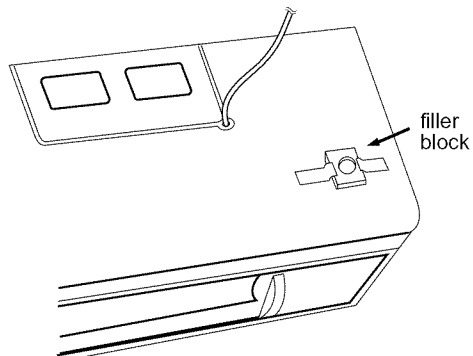


Figure 25

STEP 5: INSTALL THE MOUNTING PLATE TO THE WALL

THE OVEN MUST BE CONNECTED TO AT LEAST ONE WALL STUD.

1. Draw a vertical line on the wall at the center of the 30" wide space.

Use the mounting plate as the template for the rear wall. Place the mounting plate on the wall, making sure that the tabs are against the bottom of the cabinet. Line up the notch and center line on the mounting plate to the center line on the wall.

2. While holding the mounting plate with one hand, draw circles on the wall at holes "A", "B", "C" and "D". Four holes must be used for mounting. If the holes are not used, the installation will not be secure. Installer must use these holes for proper installation. Use toggle bolts through these holes unless one of them lines up with a stud. Use a wood screw for studs. See **Figure 26**.

NOTE: Draw a fifth circle inside area "E", through one of the holes to match the location of a stud.

For wall vented: The oven requires a rear wall cutout opening for the rear wall duct and the exhaust adaptor must be attached to the mounting plate. See the next page on how to prepare the rear wall cutout opening and the exhaust adaptor/mounting plate for wall vented.

3. Drill holes through the circles. If there is a stud, drill a 3/16" hole for lag screws. Two or preferably four lag screws at holes "A" and "C", or "B" and "C" must be used to secure mounting plate to wall. If there is no stud, drill a 3/4" hole for toggle bolts. Make sure to use at least 1 lag screw at holes of area "E" in a stud, and 4 toggle bolts at holes "A", "B", "C" and "D" in the drywall or the plaster.

4. Attach the plate to the wall. To use spring toggle head bolts: Remove the toggle wings from the bolts. Insert the bolts in the mounting plate and replace the spring toggle heads to 3/4" past the bolt ends. Insert the spring toggle heads into the holes in the wall to mount the bracket. You may pull forward on the bracket to help in tightening the toggle bolts. Tighten all bolts. See **Figure 27**.

3/16" Hole on Studs
3/4" Hole on Drywall Only

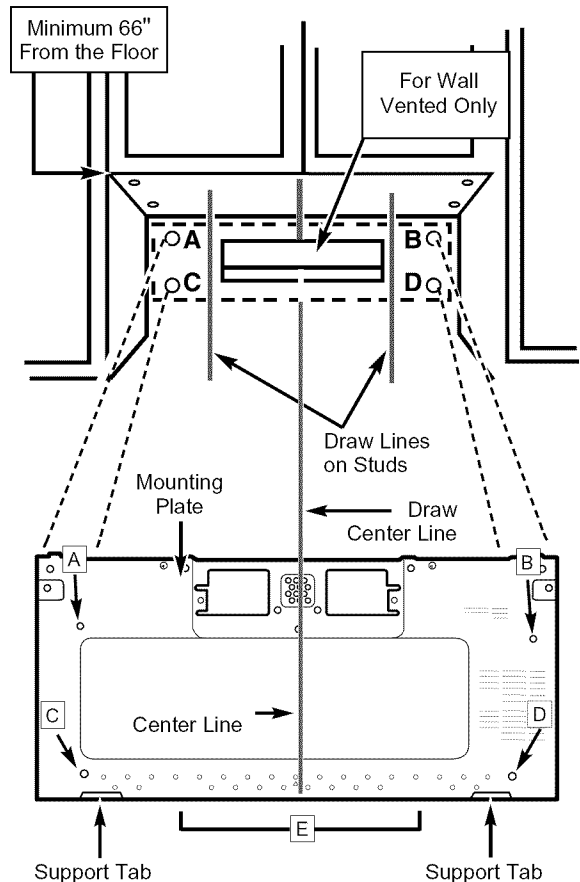


Figure 26

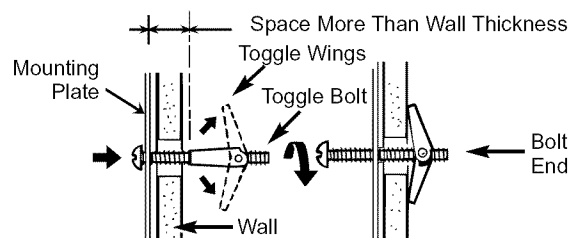


Figure 27

ENGLISH

STEP 5: INSTALL THE MOUNTING PLATE TO THE WALL

TO PREPARE THE REAR WALL CUTOUT OPENING AND EXHAUST ADAPTOR/MOUNTING PLATE FOR WALL VENTING AND ROOF VENTING:

NOTE: If room vented installation is used, skip this step.

1. Place the mounting plate against the rear wall as described in step 5 item 1 (page 15).
2. Using a pencil, put dots through slots "F" and "G", and through holes "H" and "I". Remove the mounting plate and draw lines extending through the points. This will give the location and size of the box cutout for the rear wall duct. See **Figure 28**.

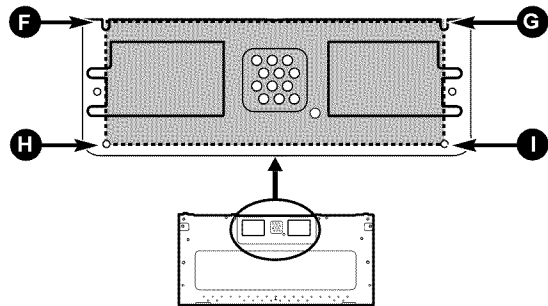


Figure 28

- Attach the exhaust adaptor to the rear mounting plate by sliding it into the guides at the top center of the plate on the wall side. Push in securely until it is past the top locking tabs and in the lower locking tabs. Take care to assure the damper hinge is installed so that it is at the top and that the damper swings freely.

- Carefully guide the exhaust adaptor, now attached to the mounting plate, into the house duct, before using the screws to attach the plate to the wall. This will assure proper alignment for installation. See **Figure 29**.

- Return to step 5, item 3 (page 15) to continue. After completing the installation of the mounting plate, again check the rear damper for free movement to assure it will operate properly.

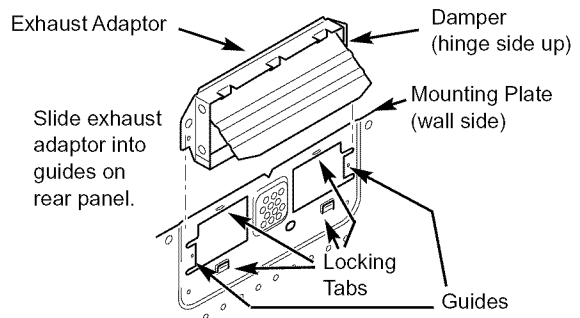


Figure 29

STEP 6: ATTACH THE OVEN TO THE WALL

⚠ WARNING ⚠

You will need two people to lift this microwave. Failure to use more than one person could result in personal injury.

1. Carefully lift microwave oven and hang it on support tabs (See **Figure 26**) at the bottom of the mounting plate. Reaching through upper cabinet, thread power supply cord through the power supply cord hole in the bottom of the upper cabinet. See **Figure 30**.
2. Rotate the microwave oven upward so the top of oven is against the bottom of the upper cabinet or cabinet frame.
3. Then insert a bolt down through each hole in the upper cabinet bottom. See **Figure 31**. Tighten the bolts until the gap between the upper cabinet and microwave oven is closed.
4. If wall vented or room vented installation is used, go to No. 7 on the next page.

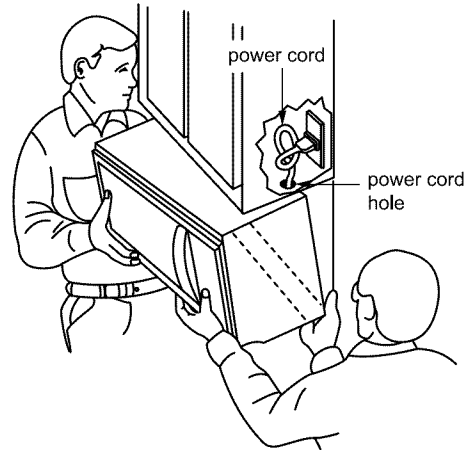


Figure 30

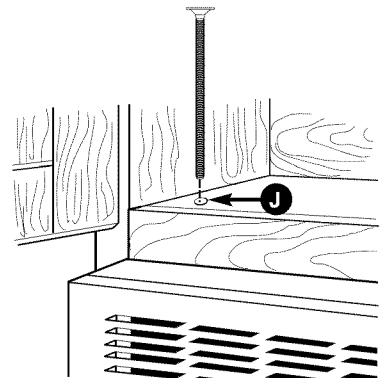


Figure 31

STEP 6: ATTACH THE OVEN TO THE WALL

5. Roof vented installation: See **Figure 32**.
Install ductwork through the vent opening in the upper cabinet. Complete the venting system through the roof according to the method needed. See "PREPARE THE VENTING SYSTEM," STEP 2 on the page 8. Use caulking to seal exterior roof opening around the exhaust cap. See **Figure 6** on page 8.

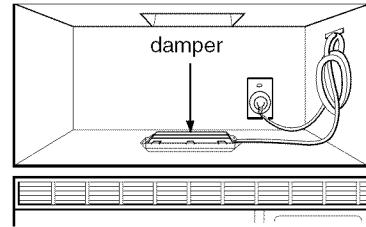


Figure 32

6. Use power supply cord clamp to bundle the power supply cord. Install the power supply cord clamp, using a screw as shown in **Figure 33**, to inside of the cabinet.

7. To install the grease filter: Slide it into the slide slot, then push up and toward oven center to lock. See **Figure 34**.

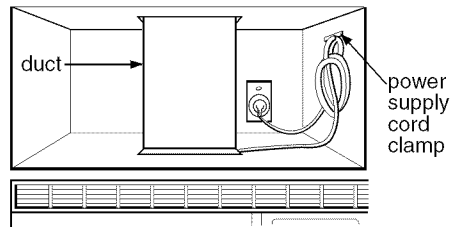


Figure 33

8. Plug in the power supply cord.
9. Read your Owner's Manual, then check the operation of your microwave oven.

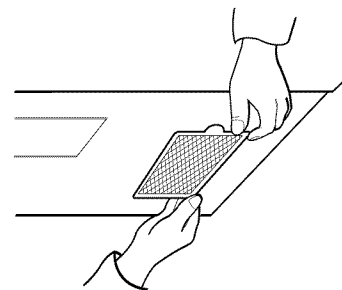


Figure 34

SU SEGURIDAD ESTÁ PRIMERO

ANTES DE EMPEZAR

• ¡La correcta instalación es responsabilidad del instalador!

- Lea el manual completo antes de empezar.
- La etiqueta con el número de modelo está en el frente del horno. Vea la **Figura 1**.
- La placa de montura está en la parte posterior del horno de microonda. Vea la **Figura 2**.

ASEGÚRESE DE LEER LAS SIGUIENTES INSTRUCCIONES DE SEGURIDAD:

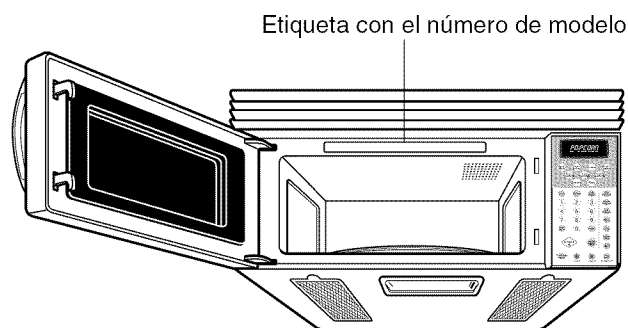


Figura 1

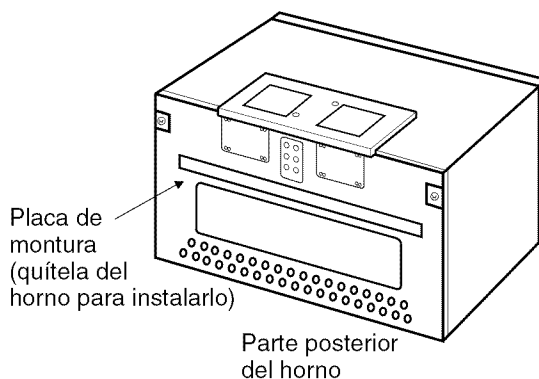


Figura 2

ESPAÑOL

⚠ ADVERTENCIA ⚠

PARA SU SEGURIDAD:

- Necesitará DOS personas para instalar este horno. Es pesado y si no se lo manipula correctamente, podría causar lesiones. Las dimensiones del horno son las siguientes:

| | |
|-------------|-----------------|
| Alto | : 16-7/16 pulg |
| Ancho | : 29-15/16 pulg |
| Profundidad | : 15-3/8 pulg |
| Peso | : 52 libras |

• ¡PREVENGA DESCARGAS ELÉCTRICAS!

- Antes de perforar la pared note donde podrían estar ocultos en la pared las posibles tomas de corriente y cables eléctricos.

SE EXPONE A UNA DESCARGA ELÉCTRICA si la boca de barrena de su taladro eléctrico hace contacto con alguno de estos cables.

- Localice y desconecte la energía eléctrica de cualquier circuito eléctrico que podría verse afectado por la instalación de este horno.

SI NO LOS DESCONECTA SE EXPONE A UNA DESCARGA ELÉCTRICA.

• POTENCIA DE SERVICIO DE ESTE HORNO: 120V, 60Hz.

14 Amps / 1500 Wats (Horno de microondas + Lámpara cocina + ventilador de extracción)

- Usted necesita solamente 120V, 60Hz, sólo CA, 15A o 20A, suministro eléctrico con fusible (ubicado en el gabinete sobre el microondas lo más cerca posible del circuito de microondas) y que sirva sólo al microondas.

SU SEGURIDAD ESTÁ PRIMERO

• ¡ESTE ARTEFACTO DEBE SER CONECTADO A MASA!

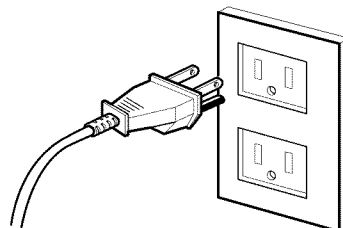
– Si se produce un cortocircuito eléctrico, la conexión a masa reduce el riesgo de descarga eléctrica al proveer un cable de escape para la corriente eléctrica. Este artefacto está equipado con un cable de alimentación que tiene un alambre de masa en el enchufe con clavija de conexión a masa.

- Coloque el enchufe en una toma de corriente correctamente instalada con conexión a masa. Vea la **Figura 3**.
- No use cable de extensión.
- Mantenga el cable de suministro eléctrico seco y que no se pellizque o se aplaste.

• NO quite la clavija de conexión a masa del cable de suministro bajo ninguna circunstancia!

Este artefacto **DEBE** ser conectado a masa.

TOMA DE CORRIENTE
ADECUADAMENTE POLARIZADA
Y CONECTADA A MASA



Enchufe de tres clavijas (a masa)

Figura 3

⚠ ADVERTENCIA ⚠

¡Si usa el enchufe conectado a masa de modo incorrecto, se arriesga a una descarga eléctrica!

- En caso de que usted no esté seguro de que el horno se halle correctamente conectado a masa o en el caso de no entienda completamente las instrucciones para conectar a masa compruébelo con un electricista calificado. **NO USE UN FUSIBLE EN EL CIRCUITO NEUTRO O DE MASA.**

⚠ ADVERTENCIA ⚠

La incorrecta conexión a masa puede dar lugar a una descarga eléctrica u otra lesión personal.

GUARDE ESTAS INSTRUCCIONES PARA EL USO DEL INSPECTOR ELÉCTRICO LOCAL.

• ¡NO SE EXPONGA A LA EXCESIVA ENERGÍA DE MICROONDA!

- NO trate de hacer funcionar el horno de microonda con la puerta abierta.
- NO altere o anule las cerraduras de seguridad.
- NO coloque objetos entre la cara delantera del horno de microonda y la puerta.
- NO permita que se amontone suciedad o residuos en las superficies planas alrededor de la puerta del horno de microonda.
- NO haga funcionar el horno de microonda si está dañado.
- El horno de microonda debe cerrarse correctamente para poder funcionar adecuadamente.
- NO USE EL HORNO DE MICROONDA:
 - Si la puerta está torcida.
 - Si las bisagras o cerrojos están rotos o flojos.
 - Si los sellos herméticos de la puerta, las superficies selladoras o el vidrio están rotos.
- ¡NO TRATE DE REGULAR O REPARAR EL HORNO POR SU CUENTA!
Debe ser regulado y reparado por un técnico calificado que pueda comprobar las pérdidas del horno luego de repararlo.

⚠ ADVERTENCIA ⚠

Si no usa el microondas como se indica, puede exponerse a excesiva energía de microonda.

SU SEGURIDAD ESTÁ PRIMERO

● ASEGÚRESE QUE TIENE SUFICIENTE ESPACIO Y SOPORTE

- Monte el horno contra una pared lisa, vertical, de modo que quede sostenido por esta pared. La pared debe estar construida con un mínimo de entramado de madera de 2" x 4" y un espesor de 3/8" de mampostería o yeso/listones.
- Fije al menos uno de los tornillos de fijación que soportan al horno a un poste de 2" x 4" del entramado de la pared.
- No monte el horno de microondas sobre aislante o caja peninsul.
- Asegúrese que la estructura del gabinete superior y de la pared posterior puedan soportar 150 libras de peso, más el peso de cualquier objeto que coloque dentro del horno o en el gabinete superior.
- Ubique el horno lejos de corrientes de aire fuertes como por ejemplo, ventanas, puertas y respiraderos de calor fuerte.
- ASEGÚRESE que tiene espacio suficiente. Vea la **Figura 4** abajo para informarse del mínimo de holgura vertical y horizontal.

▲ ADVERTENCIA ▲

Si no monta el horno como se indica, se arriesga a lesionarse y/o a dañar su propiedad.

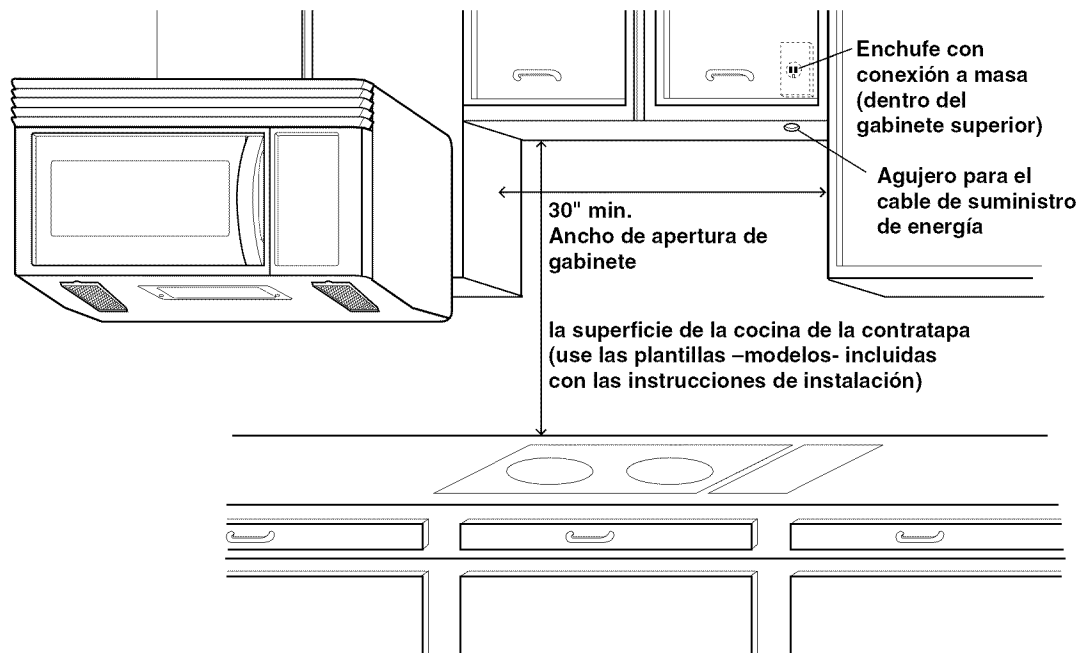


Figura 4

▲ PRECAUCIÓN ▲

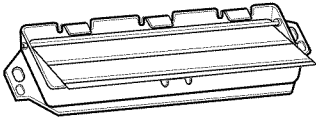
- Antes de comenzar la instalación del horno, COLOQUE UN PEDAZO DE CARTÓN O DE OTRO MATERIAL APTO (una manta) sobre la contratapa o la parte superior de la cocina para protegerlo. **No use una cubierta de plástico.** El no proteger esas superficies puede terminar en daños evitables.

PIEZAS, HERRAMIENTAS, MATERIALES

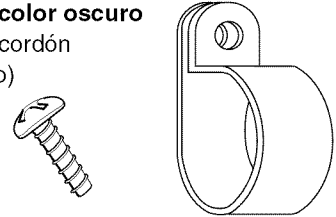
LAS SIGUIENTES PIEZAS SE ENTREGAN CON EL HORNO:

NOTA: Puede que usted no tenga que usarlas todas dependiendo de los requerimientos de ventilación.

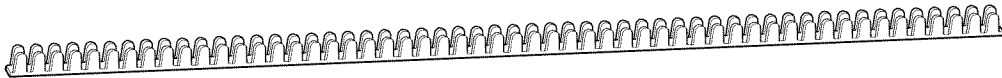
Regulador de tiro / conector del ducto
(para instalación de ventilación de techo o de pared) El tamaño que se presenta no es el real



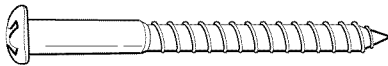
Una abrazadera para cable de suministro de energía y un tornillo de montaje de color oscuro
(para fijar el cordón de suministro)
Tamaño real



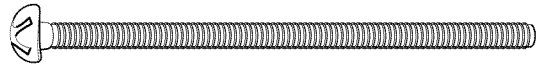
Una grapa portaorificio para el cable de suministro de energía. - Tamaño real
(Para el agujero del cable de suministro en un gabinete superior de metal.)



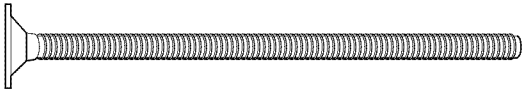
Cuatro tornillos de fijación de 1/4" x 2" -
Tamaño real (para los agujeros en los postes del entramado)



Cuatro pernos de fiadores de 1/4" x 3" -
Tamaño real (para los agujeros en la pared de mampostería)



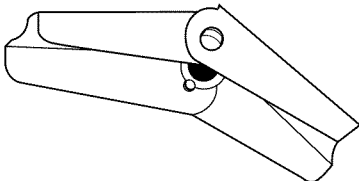
Dos pernos de 1/4" x 3" - Tamaño real.
(Para asegurar al gabinete superior)



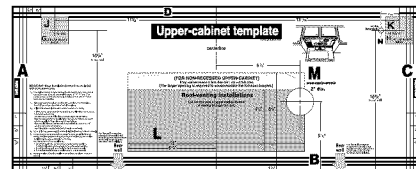
Dos tornillos con rosca - Tamaño real
(para fijar el conector de conducto de humedad)



Fiador con resorte. - Tamaño real.
(para los pernos de palanca)



Modelo de Una Caja Superior - Tamaño no real.



NOTA: Necesita instalar al menos uno de los tornillos de fijación dentro de taco de 2"x 4" y cuatro pernos de anclaje en la pared y el área de montaje debe llenar los requisitos para sustentar las 150 libras de peso.

PIEZAS, HERRAMIENTAS, MATERIALES

NECESITARÁ LAS SIGUIENTES HERRAMIENTAS Y MATERIALES PARA LA INSTALACIÓN:

Cartón u otro material acolchado para cubrir la contratapa.

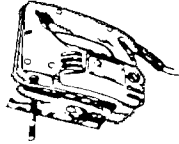
Cinta transparente de pegar
(para pegar las plantillas a la pared)



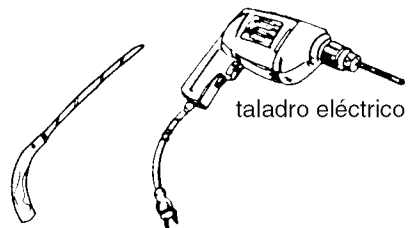
Buscador de taco o clavo fino



Sierra de calar para cortar agujeros de ventilación en el techo o en la pared.



Broca hueca cilíndrica (para el agujero del cable de suministro de energía)

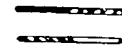


taladro eléctrico

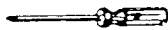
Mechas de perforación para madera de 3/8" y 3/4"



Mechas de perforación de 1/2" y 3/16"



Destornillador Phillips (para los tornillos)



Lápiz



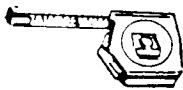
Destornillador de punta plana (para los bulones)



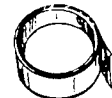
Plomada



Cinta de medir (preferentemente de metal)



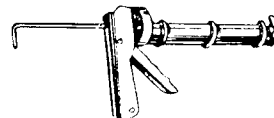
Cinta para el ducto



Cortadoras pequeñas o cizallas de hojalatero



Pistola de calafeteado



- Si tiene paredes de ladrillo o de mampostería necesita equipamiento y herramientas especiales.
- La red de conductos que necesita para la instalación no está incluida. Todos los casquetes en las paredes y techos deben tener un regulador de tiro con escape trasero.

PASO 1: PREPARAR LAS CONEXIONES ELÉCTRICAS ADVERTENCIA

⚠ ADVERTENCIA ⚠

¡PREVENGA DESCARGAS ELÉCTRICAS! ¡ESTE ARTEFACTO DEBE SER CONECTADO A MASA!

1. Ubique la toma de corriente conectada a tierra para este horno en el gabinete encima del horno, como lo muestra el detalle de la **Figura 4**.

NOTA: La toma de corriente debe estar en un circuito dedicado exclusivamente al horno de microonda 120V, 60Hz, sólo CA con un abastecimiento eléctrico de 20 amperes con fusible.

IMPORTANTE: Si no tiene la toma de corriente adecuado, usted **DEBE** hacer instalar uno por un técnico calificado.

2. Más tarde, cortará el orificio para el cable de suministro de energía (que se muestra en el detalle en **Figura 4**) cuando prepare la pared y el gabinete.

NOTA: No use un cable de extensión.
Mantenga seco el cable de suministro de energía.

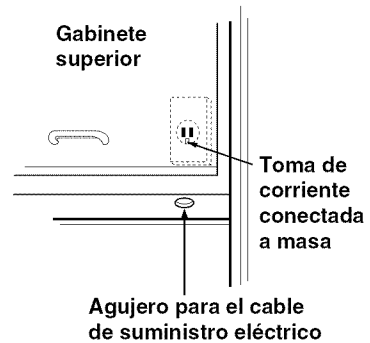


Figura 4 (detalle)

⚠ ADVERTENCIA ⚠

La conexión incorrecta a masa puede resultar en descarga eléctrica u otra lesión.

- **¡NUNCA, BAJO NINGUNA CIRCUNSTANCIA, quite la clavija de masa del cable de suministro de energía!**
- **Este artefacto DEBE ser conectado a masa.**

PASO 2: PREPARAR EL SISTEMA DE VENTILACIÓN

NOTA: La red de conductos que necesita para la ventilación externa no está incluida en el horno. Los dispositivos de la red de conductos y longitud se muestran en la **Figura 9**, página 27.

⚠ ADVERTENCIA DE PELIGRO DE INCENDIO ⚠
¡ESTE HORNO DEBE SER VENTILADO ADECUADAMENTE!

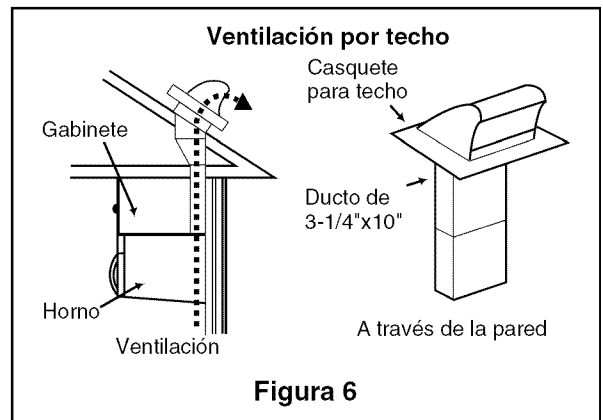
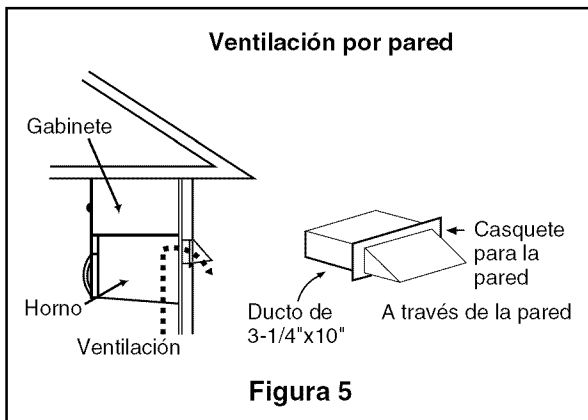
Puede ventilar su horno en una de estas tres formas:

Ventilación por techo Si su horno está ubicado en una pared exterior cerca del techo, como en las **Figura 6** (un ducto de 3-1/4" x 10") y **Figura 8** (ducto redondo de 6").

Ventilación por pared Si su horno está ubicado en una pared exterior en el primer piso de su casa como en las **Figura 5** (un ducto de 3-1/4" x 10") y **Figura 8** (ducto redondo de 6").

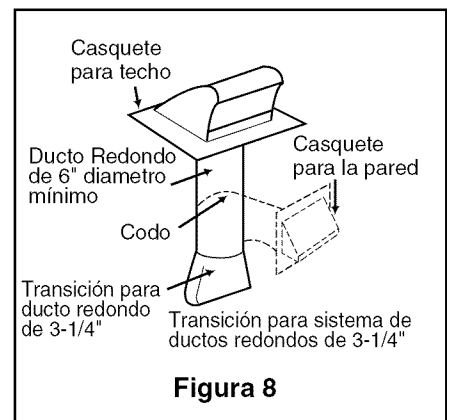
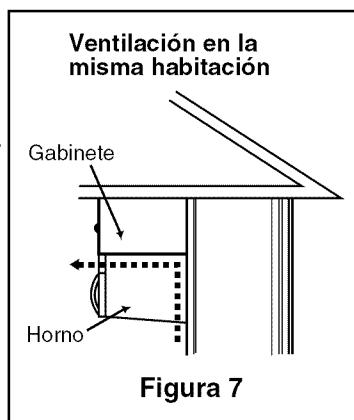
Ventilación en la misma habitación Si su horno está ubicado en una pared interior de su casa, como en la **Figura 7**.

NOTA: Si elige el método de escape (ventilación por techo o por pared) asegúrese de que haya suficiente espacio dentro de la pared para el ducto de ventilación.



RECUERDE CUANDO INSTALE LA VENTILACIÓN:

- Mantenga la longitud de la red de ductos y el número de codos a un mínimo para ventilar eficientemente su horno. Vea ejemplos en página 27.
- Mantenga iguales los tamaños de los conductos.
- No instale dos codos juntos.
- Use la cinta de ductos para sellar todas las juntas del sistema.
- Use calafateado para sellar la pared exterior o la apertura de techo alrededor del casquete.



PASO 2: PREPARAR EL SISTEMA DE VENTILACIÓN

EQUIPOS ESTÁNDAR

NOTA: Si el conducto existente es redondeado, debe usar un adaptador cuadrado a redondo con una extensión de ducto de 3" instalada entre el conjunto de regulador de tiraje y el adaptador para prevenir el bloqueo del regulador del tiraje.

LONGITUD DEL DUCTO

La longitud total del sistema de ductos, incluyendo el ducto recto, los codos las transiciones, casquetes de pared o de techo, **no deben exceder el equivalente de 140 pies.**

Para un rendimiento mejor, no use más de tres codos de 90 grados.

Más abajo se muestran los dispositivos estándar y su longitud equivalente en pies.

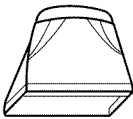
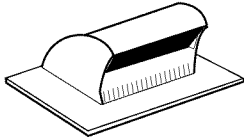
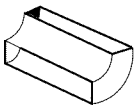

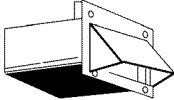
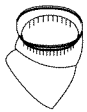
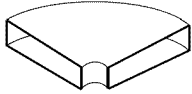
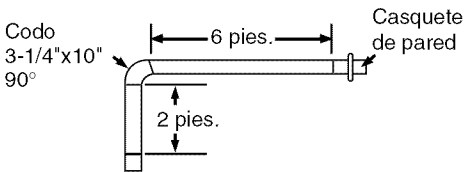
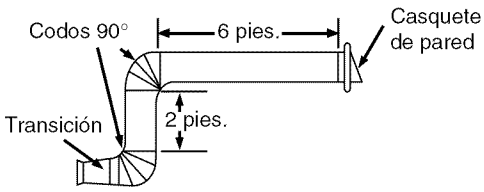
| | | | |
|---|---|---|--|
|  <p>3-1/4"x10" Hasta 6"= 5pies</p> |  <p>Casquete de pared de 3-1/4"x10" = 24 pies.</p> |  <p>Codo 3-1/4"x10" 90° = 25 pies.</p> | |
|  <p>Codo 90° = 10 pies.</p> |  <p>3-1/4"x10" casquete de pared = 40 pies.</p> |  <p>Codo 45° = 5 pies.</p> |  <p>3-1/4"x10" codo plano = 10 pies.</p> |

Figura 9

Para calcular la longitud equivalente de cada pieza de ducto usada, ver los ejemplos de más abajo.

| Ejemplos | |
|---|---|
| <p>Para sistemas de 3-1/4"x10"</p>  <p>Codo 3-1/4"x10" 90°</p> <p>6 pies.</p> <p>2 pies.</p> <p>Casquete de pared</p> <p>Codo 1 3-1/4" x 10" 90° = 25 pies.</p> <p>1 casquete de pared = 40 pies.</p> <p>8 pies de ducto recto = 8 pies.</p> <p>LARGO TOTAL = 73 pies.</p> | <p>Para sistemas redondos de 6"</p>  <p>Codos 90°</p> <p>6 pies.</p> <p>2 pies.</p> <p>Transición</p> <p>Casquete de pared</p> <p>1 transición = 5 pies.</p> <p>2 codos 90° = 20 pies.</p> <p>1 casquete de pared = 40 pies.</p> <p>8 pies de ducto recto = 8 pies.</p> <p>LARGO TOTAL = 73 pies.</p> |

PASO 3: PREPARAR EL SOPLADOR DE VENTILACIÓN

Su horno de microonda se envía con el soplador montado para ventilación en la misma habitación (recirculación). Necesita ajustar el soplador si desea una instalación de ventilación por techo o por pared.

⚠ ADVERTENCIA ⚠

PELIGRO DE DESCARGA ELÉCTRICA! DESENCHUFE LA UNIDAD ANTES DE TRABAJAR EN ELLA.

- NO TIRE O ESTIRE DEL CABLEADO DEL VENTILADOR! Tirar o estirar de los cables del ventilador podría provocar una descarga eléctrica.

QUITE O MONTE LA PLACA:

1. Quite cualquier material de embalaje y piezas de adentro del horno de microonda.
2. Cubra la parte superior o techo de la cocina con una protección gruesa para evitar daños y suciedad. Vea la **Figura 10**.

NOTA: Si tiene espacio suficiente, desconéctelo, muévelo sobre un pedazo de cartón o aglomerado y aléjelo de la pared, de modo que usted pueda acercarse al gabinete superior ya la pared de atrás para perforar y medir más fácilmente.

3. Remueva 2 tornillos del plato de montaje como los muestra y deséchelos. (Vea la **Figura 11**.)
4. El plato de montaje también será usado para ubicar y marcar los hoyos de montaje en la pared trasera.
5. Ubique el adaptador de expulsión, filtros de grasa y paquete de equipamiento.
6. En este punto, quite cualquier cinta adhesiva (si hubiera alguna), sobre el adaptador de expulsión, los filtros de grasa y el cable de suministro de energía.

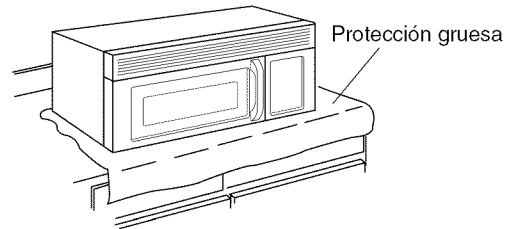


Figura 10

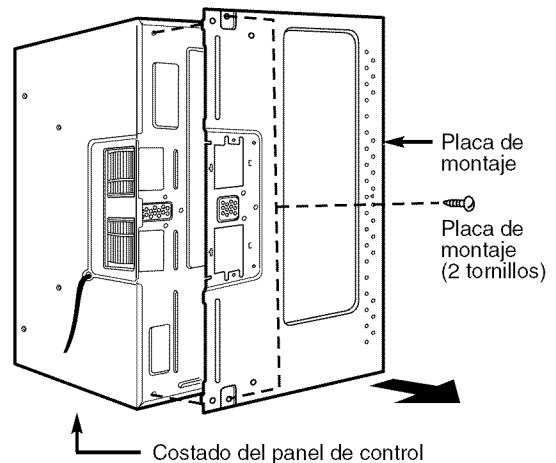


Figura 11

INSTALACIÓN DE VENTILACIÓN EN LA HABITACIÓN:

Vaya al **PASO 4, PREPARE LA PARED Y LA CAJA SUPERIOR PARA LA INSTALACIÓN** ubicado en la página 31.

PASO 3: PREPARAR EL SOPLADOR DE VENTILACIÓN

INSTALACIÓN DE LA VENTILACIÓN A TRAVÉS DE LA PARED:

1. Quite el tornillo de montaje de la unidad del soplador. Saque la placa del soplador del gabinete. Vea la **Figura 12**.
2. Cuidadosamente levante la unidad del soplador hacia afuera del horno de microonda. Desconecte el cable del soplador del conector. Vea la **Figura 13**.
3. Use tijeras o cizallas de hojalata para cortar y quitar los removibles "B" de la placa posterior. Descarte los removibles. Tenga cuidado de no deformar la placa. Vea la **Figura 14**.
4. Rote la unidad de modo que los puertos de expulsión enfrenten la parte posterior del gabinete. Vea la **Figura 15**. Antes de inserte la unidad del soplador, el cable del soplador debe quedar como se ve en la **Figura 15**.
5. Reensamble el cable del soplador dentro del conector.
6. Coloque de vuelta la unidad del soplador en el gabinete. Compruebe que los puertos de expulsión enfrenten la parte posterior del gabinete. Vea la **Figura 16**.
7. Reajuste la placa del soplador a la parte superior de la caja como estaba armado originalmente. Ajuste un tornillo de montaje de la unidad del soplador y luego dos tornillos para la placa del soplador. Vea la **Figura 17**.
8. Vaya al **PASO 4, PREPARE LA PARED Y LA CAJA SUPERIOR PARA LA INSTALACIÓN** ubicado en la página 31.

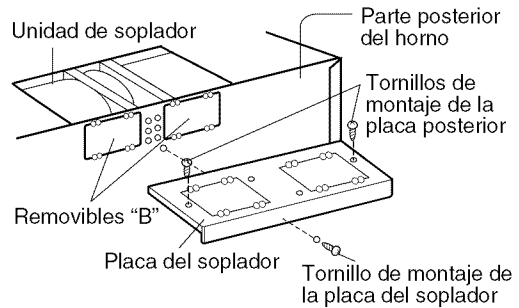


Figura 12

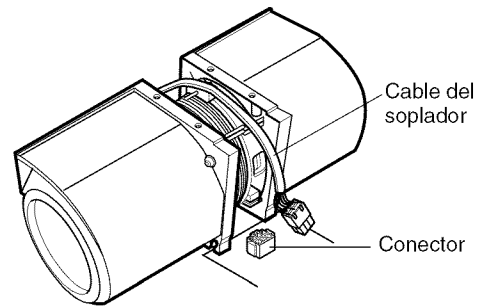


Figura 13

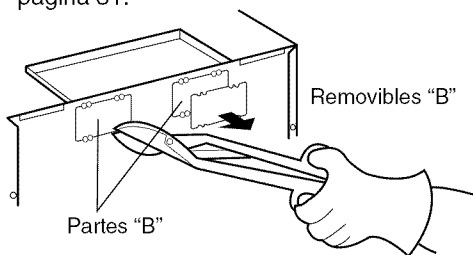


Figura 14

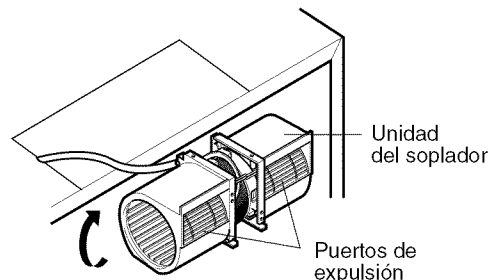


Figura 15

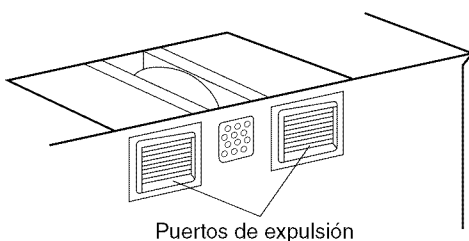


Figura 16

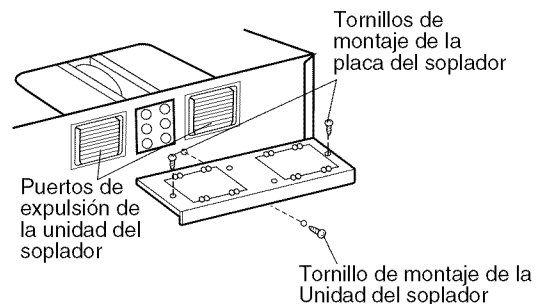


Figura 17

PASO 3: PREPARAR EL SOPLADOR DE VENTILACIÓN

INSTALACIÓN DE LA VENTILACIÓN POR TECHO:

1. Quite un tornillo de montaje de la unidad del soplador y dos tornillos de la placa de montaje. Quite la placa de montaje del gabinete. Vea la **Figura 18**.

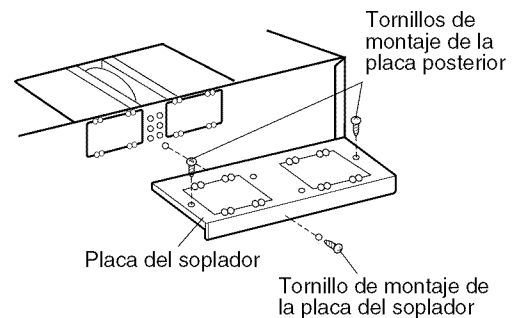


Figura 18

2. Levante cuidadosamente la unidad del soplador fuera del horno de microonda.

3. Rote 90° la unidad del soplador de modo que los puertos de expulsión enfrenten la parte superior del gabinete. Vea la **Figura 19**.

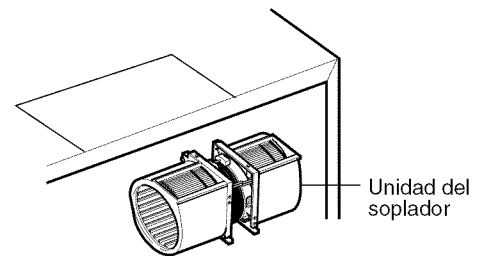


Figura 19

4. Coloque la unidad del soplador nuevamente en el horno de microonda.

5. Use cizallas o tijeras para hojalata para cortar y quitar los removibles "A" de la placa del soplador. Descarte los removibles. Tenga cuidado de no deformar la placa. Vea la **Figura 20**.

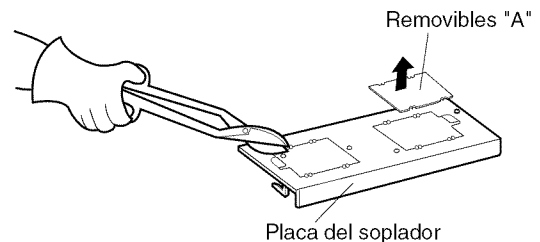


Figura 20

6. Vuelva a unir la placa del soplador al horno de microonda. Únalo por medio del tornillo de montaje de la unidad del soplador y luego los dos tornillos de montaje de la placa del soplador. Vea la **Figura 21**.

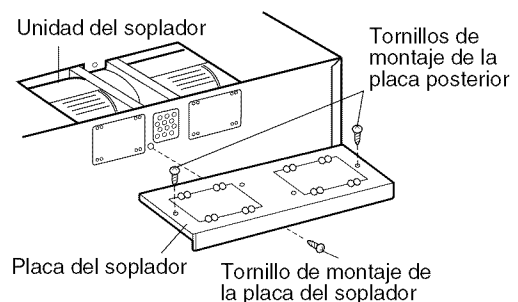


Figura 21

PASO 4: PREPARAR LA PARED Y EL GABINETE SUPERIOR PARA LA INSTALACIÓN

MIDA Y CLAVE / PEGUE CON CINTA LAS PLANTILLA

1. Usando un hilo de plomada y una cinta de medir (metal), busque y marque la línea vertical central (V) en la pared posterior, como se muestra en la **Figura 22**.
2. Busque y marque uno o dos puntos donde están los entramados de la pared (suelen estar a 16 pulgadas de distancia) y luego mida y marque las ubicaciones de los postes. Si no puede encontrar ningún poste en la pared, consulte a un contratista local de edificios.

⚠ PRECAUCIÓN ⚠

NO TRATE DE INSTALAR EL HORNO DE MICROONDA SI NO HALLA UNA PARED DE ENTRAMADO.

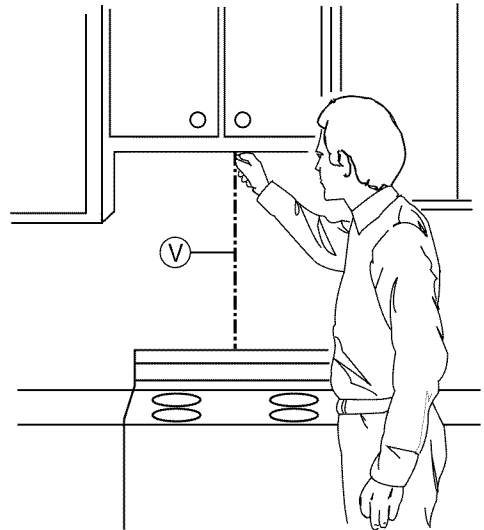


Figura 22

3. Alinee la línea de plomada de la pared con la línea del centro de la placa de montaje.

NOTA: Asegúrese de que el ancho mínimo sea de 30 pulgadas y que la distancia desde la parte superior de la placa de montaje hasta la cara inferior o contratapa sea de al menos 30 pulgadas. Vea la **Figura 4** en página 25.

4. Centre el plato de montaje en la apertura alineando la línea del plomo en la pared con la línea central en el plato de montaje. Asegúrese de que el ancho mínimo sea de 30 pulgadas y de que la parte superior de la placa de montaje se halle al menos a 30 pulgadas por encima de la superficie de la cocina. Vea la **Figura 23**.

NOTA: Si el borde frontal del gabinete está más abajo que el borde posterior, ajuste la placa de montaje para que quede a nivel del frente del gabinete.

5. Mida la parte inferior del marco del gabinete superior. Centre los bordes "A", "B" y "C" de la plantilla del gabinete superior de modo que quede ésta sobre la parte inferior del gabinete superior. Si este gabinete tiene un marco rebajado, ajuste la plantilla de modo que encaje dentro del área rebajada. Alinee la línea central de la plantilla del gabinete superior con la línea central de la placa de montaje, luego asegure firmemente con cinta o clave la plantilla del gabinete superior en su lugar. Vea la **Figura 23**.

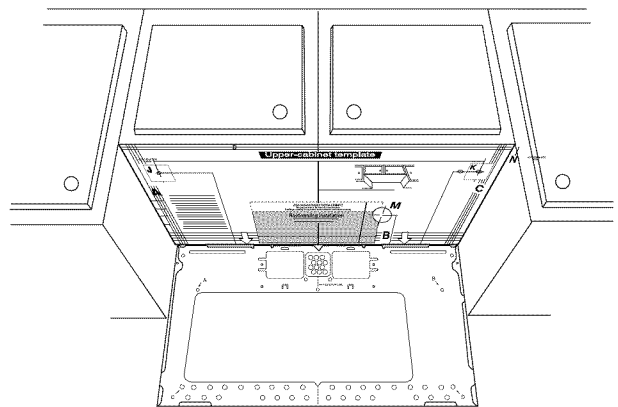


Figura 23

PASO 4: PREPARAR LA PARED Y EL GABINETE SUPERIOR PARA LA INSTALACIÓN

PERFORE LOS AGUJEROS EN LA PARED Y EN EL GABINETE SUPERIOR.

⚠ ADVERTENCIA ⚠

SEA MUY CUIDADOSO CUANDO HAGA LOS AGUJEROS EN LA PARED.

Alambres eléctricos pueden no estar a la vista y embutidos en la pared y si el taladro entra en contacto con ellos, podría recibir una descarga eléctrica.

1. Busque los puntos marcados con “A”, “B”, “C” y “D” en la placa de montaje. Taladre un hoyo de 3/16" de diámetro en cualquiera de esos puntos que hay en frente de una pared montante. Taladre un hoyo de 3/16" de diámetro en cualquiera de esos puntos que hay sobre la pared construído de piedras encajadas sin mezcla cohesiva.
2. Perfore un agujero de 3/8" en los puntos “J” y “K” en la plantilla del gabinete superior.
NOTA: Si la parte inferior del gabinete superior está rebajada en 3/4" o más, necesitará 2"x2" de bloques de relleno (no incluido) para dar soporte adicional a los pernos. Vea la **Figura 24**.
 - Marque el centro de cada bloque de relleno y perfore un agujero de 3/8" de diámetro en las marcas.
 - Alinee los bloques de relleno sobre las dos aperturas en la parte superior del gabinete del horno de microonda y fije al gabinete con cinta adhesiva. Vea la **Figura 25**.
3. Corte o perfore un agujero de 2" de diámetro en el área marcada “M”, “agujero del cable de alimentación” en la plantilla del gabinete superior. Si el gabinete superior es de metal, necesitará cubrir los bordes del agujero con un portaorificio (provisto) para evitar daño en el cable producido por el borde irregular de metal.

ESPAÑOL

⚠ ADVERTENCIA ⚠

EN UN GABINETE DE METAL DEBE CUBRIR EL BORDE DEL AGUJERO PARA EL CABLE DE SUMINISTRO DE ENERGÍA. PARA ELLO USE EL PORTAORIFICIO. NO HACERLO PUEDE RESULTAR EN DAÑOS EN EL CABLE Y DESCARGA ELÉCTRICA.

4. Corte y retire las áreas de ventilación (con la sierra de calar):
 - Ventilado por el techo: Corte y quite las áreas sombreadas marcadas “L” en la plantilla del gabinete superior.
 - Ventilar la habitación o Pared (Recirculación): Vaya al PASO 5, INSTALAR LA PLACA DE MONTAJE, en la página 33.
5. Use un compuesto de calafateado para sellar el agujero en la pared exterior o en el techo alrededor del casquete de pared o de techo.

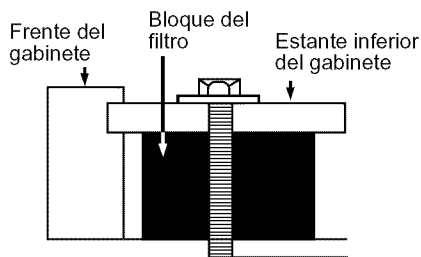


Figura 24

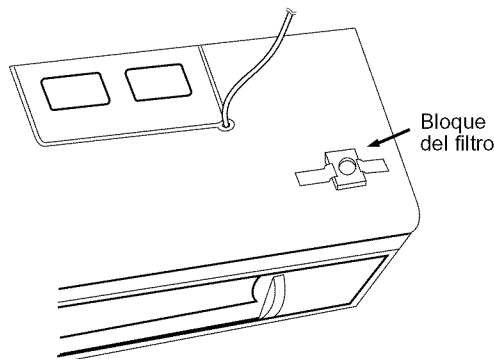


Figura 25

PASO 5: INSTALAR LA PLACA DE MONTAJE EN LA PARED

EL HORNO DEBE ESTAR FIJADO POR LO MENOS A UN POSTE DEL ENTRAMADO DE LA PARED.

1. Trace una línea vertical sobre la pared en el medio del espacio de 30" de ancho.

Use la placa de montaje como plantilla para la pared posterior. Coloque la placa de montaje sobre la pared asegurándose que las aletas queden contra la parte inferior del gabinete. Alinee la ranura y la línea central sobre la placa de montaje sobre la pared.

2. Mientras sostiene la placa de montaje con una mano, marque círculos sobre la pared en los agujeros "A", "B", "C" y "D". Deben usarse 4 agujeros para el montaje. Si no se usan estos agujeros, la instalación puede no ser segura, por lo que el instalador debe usar todos ellos para una instalación correcta. Use pernos de palancas acodadas a través de estos agujeros a menos que uno de ellos esté alineado con un poste del entramado. En ese caso use un tornillo para madera. Vea la **Figura 26**.

NOTA: Trace un quinto círculo dentro del área "E", a través de uno de los agujeros de abajo para ajustarse a la ubicación de un poste del entramado.

Para hornos ventilados a través de la pared: el horno necesita un agujero cortado en la pared posterior para el conducto y para el adaptador de expulsión que debe ser agregado a la placa de montaje. Vea en la próxima página cómo preparar el agujero de la pared posterior y el adaptador expulsor/placa de montaje para ventilación por la pared.

3. Taladre hoyos a través de los círculos. Si encuentra un poste del entramado, perforo un agujero de 3/16" para un tornillo de fijación. Si no encuentra el entramado, perforo un agujero de 3/4" para los pernos de fijador. Deben usarse dos o, preferiblemente, cuatro tornillos en los hoyos "A" y "C" o "B" y "D" de cabeza cuadrada para madera para fijar la placa de montaje de pared. Asegúrese de usar al menos 1 tornillo revestido en los hoyos de la área "E" en un husillo, y coloque 4 tornillos articulados en los hoyos "A", "B", "C" y "D" en la pared construido de piedras encajadas sin mezcla cohesiva o en el parche.

4. Fije la placa a la pared. Para usar los pernos con cabeza del fijador: Quite las cabezas con los fijadores. Inserte los pernos en la placa de montaje y vuelva a colocar las cabezas con los fijadores luego de pasar los pernos por los agujeros de 3/4". Inserte las cabezas con fijadores en la pared para montar la ménsula. Puede tirar hacia delante la ménsula para ayudar a ajustar los fijadores. Ajuste todos los pernos. Vea la **Figura 27**.

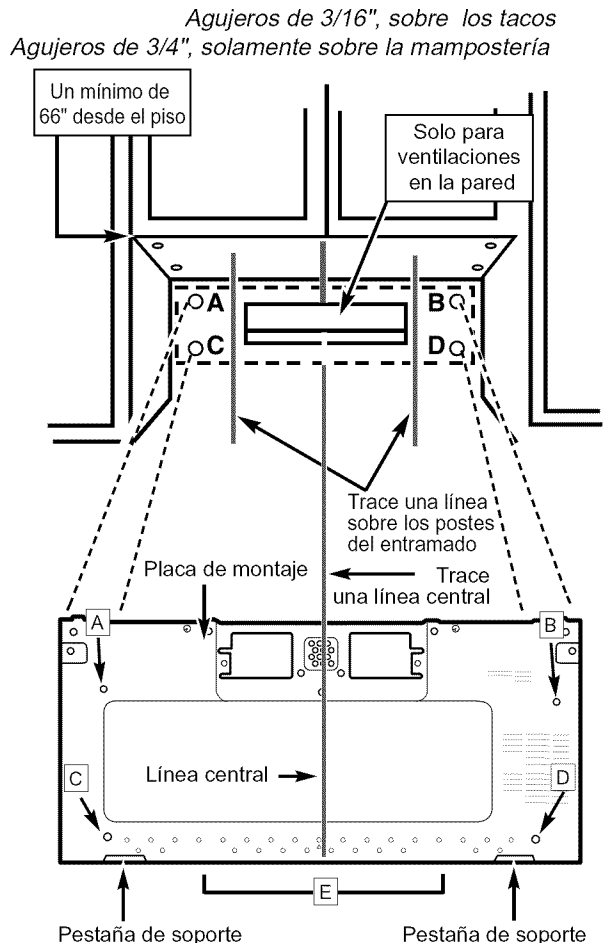


Figura 26

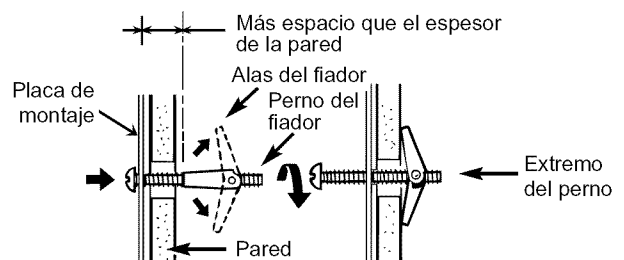


Figura 27

PASO 5: INSTALAR LA PLACA DE MONTAJE EN LA PARED

PARA PREPARAR LA APERTURA DE LA PARED TRASERA Y EXPULSOR ADAPTADOR/ PLACA DE MONTAJE VENTILACIÓN DE LA PARED Y LA VENTILACIÓN DEL TECHO:

NOTA: Si es usado la aislación del techo ventilado, ignore este paso.

1. Coloque la placa de montaje contra la pared posterior como se describe en el PASO 5, ítem 1 (página 33).
2. Con un lápiz, marque con puntos a través de las ranuras “F” y “G” y a través de los agujeros “H” e “I”. Quite la placa de montaje y trace una línea que pase por esos puntos. Esto le precisará el tamaño y ubicación del corte para la caja para el conducto de la parte posterior. Vea la **Figura 28**.

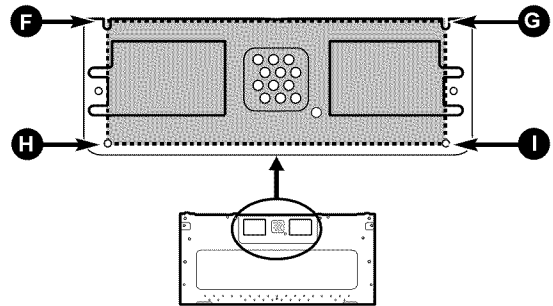


Figura 28

- Conecte el adaptador del expulsor a la placa de montaje posterior deslizando en las guías en los toques centrales de la placa sobre la pared del costado. Empújelo hasta asegurarlo hasta que haya pasado los toques de bloqueo y en la parte inferior en las lengüetas de bloqueo. Tenga cuidado de asegurar que la bisagra del regulador de tiraje quede instalada de modo que se halle en la parte superior y que el regulador se mueva libremente.

- Con cuidado lleve el adaptador del expulsor, ahora agregado a la placa de montaje, en el alojamiento del ducto antes de usar los tornillos para ajustar la placa a la pared. Esto asegurará el correcto alineamiento para la instalación. Vea la **Figura 29**.

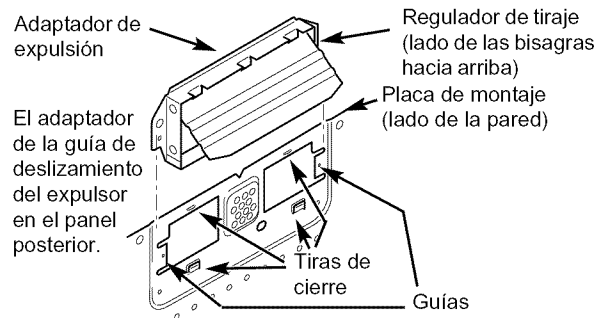


Figura 29

- Vuelva al PASO 5, ítem 3 (página 33) para continuar. Luego de completar la instalación de la placa de montaje, vuelva a comprobar el libre movimiento del regulador de tiraje de la parte posterior, para asegurarse que este funcionará correctamente.

PASO 6: FIJE EL HORNO A LA PARED

⚠ ADVERTENCIA ⚠

Necesitará dos personas para levantar este horno de microonda. El no usar dos personas puede ser causa de lesiones.

1. Levante con cuidado el horno de microonda y cuélguelo de las pestañas de soporte (vea la **Figura 26**) en la parte inferior de la placa de montaje. Vea la **Figura 30**.
2. Gire el horno de microonda hacia arriba de manera que la parte superior del mismo dé contra la parte inferior del gabinete superior o contra el marco del gabinete.
3. Luego inserte el tornillo a través de cada uno de los agujeros en la parte inferior del gabinete superior. Vea la **Figura 31**.
Ajuste los tornillos hasta que se cierre el espacio entre el gabinete superior y el horno de microonda.
4. Si es usado la aislación del techo ventilado o de la pared ventilado, vaya al No. 7 de la siguiente página.

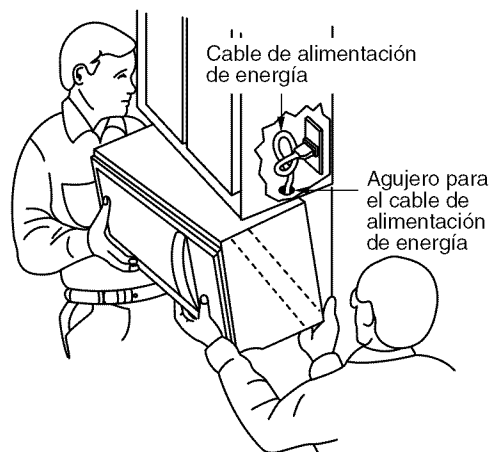


Figura 30

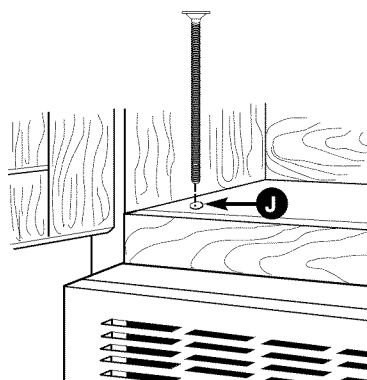


Figura 31

PASO 6: FIJE EL HORNO A LA PARED

5. Instalación de la ventilación por techo: Vea la **Figura 32**. Instale el sistema de ductos a través de la apertura de ventilación en el gabinete superior. Complete el sistema de ventilación a través del techo de acuerdo al método más conveniente. Vea "PREPARAR EL SISTEMA DE VENTILACIÓN", PASO 2. En la página 26. Use material de calafateado para sellar la apertura exterior en el techo alrededor del casquete de expulsión. Vea la **Figura 6** en la página 26.

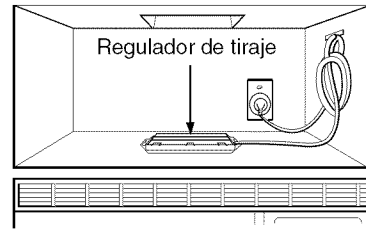


Figure 32

6. Use la abrazadera para cable de suministro de energía para enrollar este cable. Asegure la abrazadera en el interior del gabinete usando el tornillo de montaje como se muestra en la **Figura 33**.

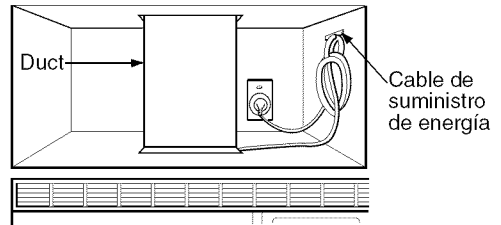


Figure 33

8. Enchufe el cable de provisión de energía eléctrica.

9. Lea su Manual de Usuario, luego controle el funcionamiento de su horno de microonda.

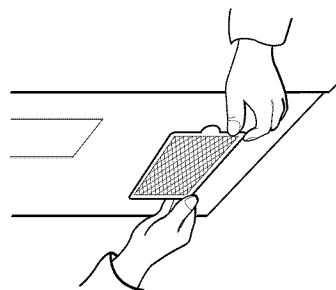


Figure 34

