

# KitchenAid® 30" Freestanding and Slide-In Gas Range

## PRODUCT MODEL NUMBERS

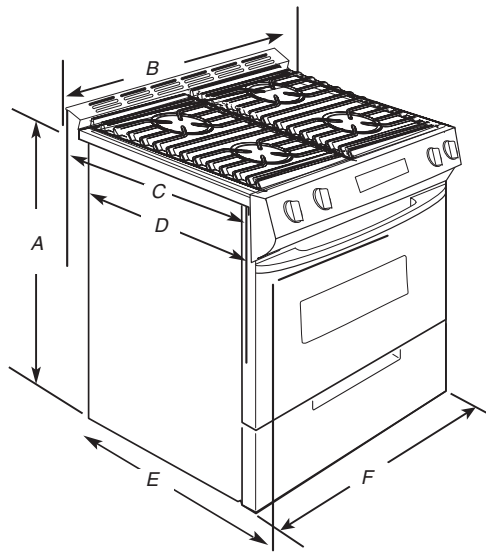
KGRA806P      KGSA906P  
 KGRA807P      KGS1901P  
 KGRI801P  
 KGRK806P

**Gas supply:** Use 3/4" rigid pipe gas supply line to the range location. A smaller size pipe on long runs may result in insufficient gas supply. With L.P. gas, piping or tubing size can be 1/2" minimum. If local codes permit, a new CSA design-certified, 4 - 5 ft (122 - 152.4 cm) long, 1/2" (1.3 cm) or 3/4" (1.9 cm) I.D., flexible metal appliance connector may be used for connecting range to the gas supply line. A 1/2" male pipe thread is needed for connection to pressure regulator female pipe threads. An easily accessible individual manual shutoff valve must be located in the same room, but external to the range.

**Electrical:** 120-volt, 60 Hz, AC-only, 15 amp, fused electrical circuit is required. A separate circuit is recommended. A time-delay fuse or circuit breaker is recommended.

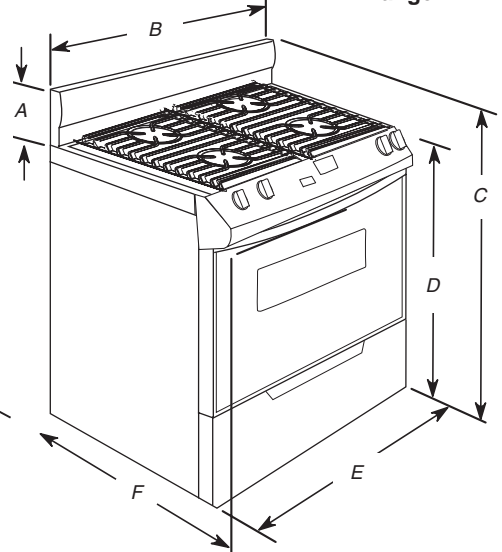
## OVERALL DIMENSIONS

### Slide-in Range



A. 35 5/8" (90.5 cm) cooktop height with leveling legs lowered 1 1/2 turns  
 B. 30 1/16" (77.9 cm)  
 C. 25" (63.5 cm)  
 D. 23 1/2" (59.8 cm)  
 E. \*27" (68.6 cm) to handle  
 F. 30" (76.2 cm)

### Freestanding Range



A. 7 1/8" (20 cm)  
 B. 30" (76.2 cm)  
 C. 43 7/8" (111.4 cm) overall height  
 D. 36" (91.4 cm) cooktop height with leveling legs lowered 1 1/2 turns  
 E. 30" (76.2 cm)  
 F. \*27" (68.6 cm) max. to handle

## SLIDE-IN RANGE COUNTERTOP PREPARATION

The cooktop sides of the slide-in range fit over the cutout edge of your countertop.

If you have a square finish (flat) countertop and the opening width is 30" (76.2 cm), no countertop preparation is required.

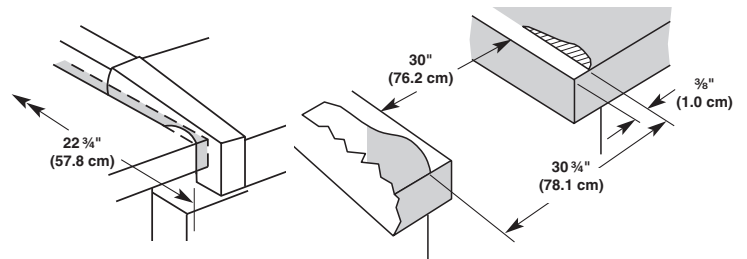
Formed front-edged countertops: Must have molded edge shaved flat 3/8" (1.0 cm) from each front corner of opening.

Tile countertops may need trim cut back

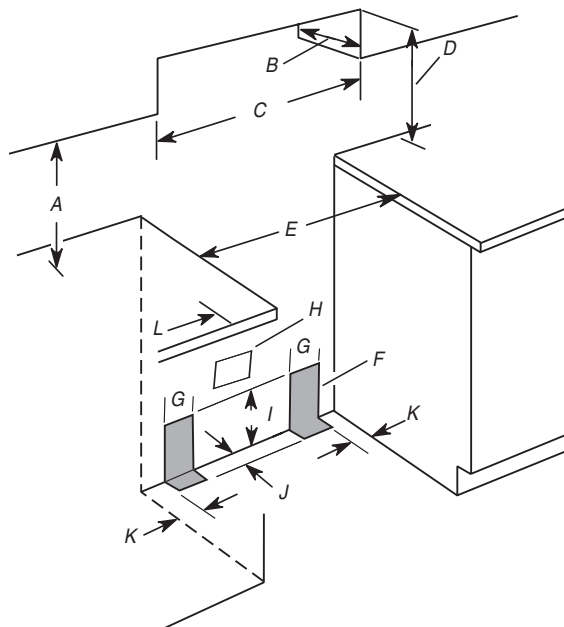
3/8" (1.0 cm) from each front corner and/or rounded edge flattened.

If countertop opening width is greater than 30" (76.2 cm), adjust the 3/8" (1.0 cm) dimension.

Countertop must be level. Place level on countertop, first side to side; then front to back. If countertop is not level, range will not be level. Oven must be level for satisfactory baking conditions.



## CABINET OPENING DIMENSIONS



A. 18" (45.7 cm) upper cabinet to countertop  
 B. 13" (33 cm) max. upper cabinet depth  
 C. 30" (76.2 cm) min. opening width  
 D. For minimum clearance to top of the cooktop, see NOTE.  
 E. 30" (76.2 cm) min. opening width  
 F. This shaded area recommended for installation of rigid gas pipe  
 G. 8" (20.3 cm)  
 H. Grounded outlet  
 I. 17" (43.2 cm)  
 J. 2" (5.1 cm)  
 K. 4 1/2" (11.4 cm)  
 L. 2" (5.1 cm) min. clearance from both sides of the range to the side wall or other combustible material  
 5" (12.7 cm) for the ranges with reversible grate insert (wok ring)

\*NOTE: 24" (61 cm) minimum when bottom of wood or metal cabinet is protected by not less than 1/4" (0.64 cm) flame retardant millboard covered with not less than No. 28 MSG sheet steel, 0.015" (0.4 mm) stainless steel, 0.024" (0.6 mm) aluminum or 0.020" (0.5 mm) copper.

30" (76.2 cm) minimum clearance between the top of the cooking platform and the bottom of an unprotected wood or metal cabinet.