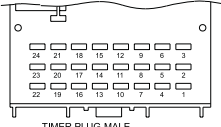
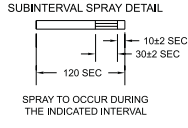
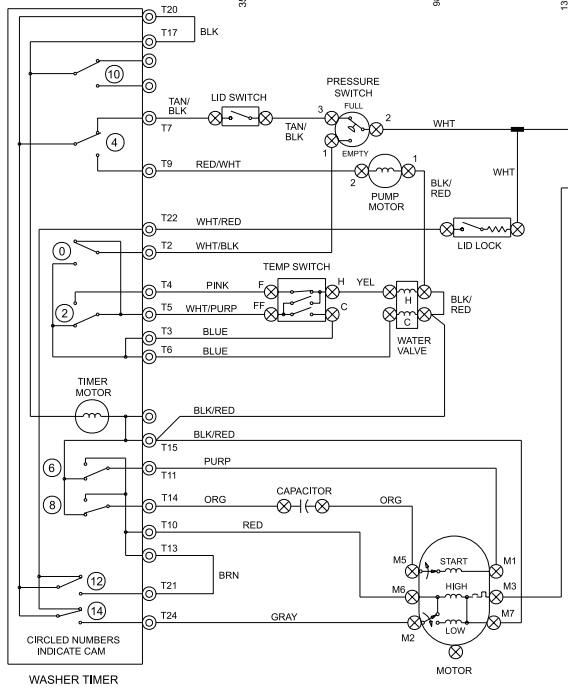


CAUTION: DISCONNECT ELECTRIC CURRENT BEFORE SERVICING

CIRCUIT	TERM. NO.	FUNCTION	REGULAR CYCLE					PERM. PRESS CYCLE					DELICATE CYCLE					SOAK CYCLE				
			WASH (16 MIN.)	PUMP	SPIN	RINSE	PUMP	OFF	WASH (12 MIN.)	PUMP	RINSE	PUMP	OFF	WASH (6 MIN.)	PUMP	RINSE	PUMP	OFF	WASH	SOAK (12 MIN.)	PUMP	OFF
1	1	WATER TEMP.																				
3	3	SI SPRAY																				
4	4	WASH FILL																				
3	3	RINSE FILL																				
7	7	LID SW BYPASS																				
9	9	PUMP																				
10	10	SPIN DIR																				
12	12	AGITATE DIR																				
10	10	AGITATE DIR																				
12	12	SPIN DIR																				
16	16	ADV. SOAK-WASH																				
18	18																					
22	22	P.S. BYPASS																				
21	21	HIGH SPEED MOTOR																				
22	22	P.S. BYPASS																				
24	24	LOW SPEED MOTOR																				



WIRING CODES

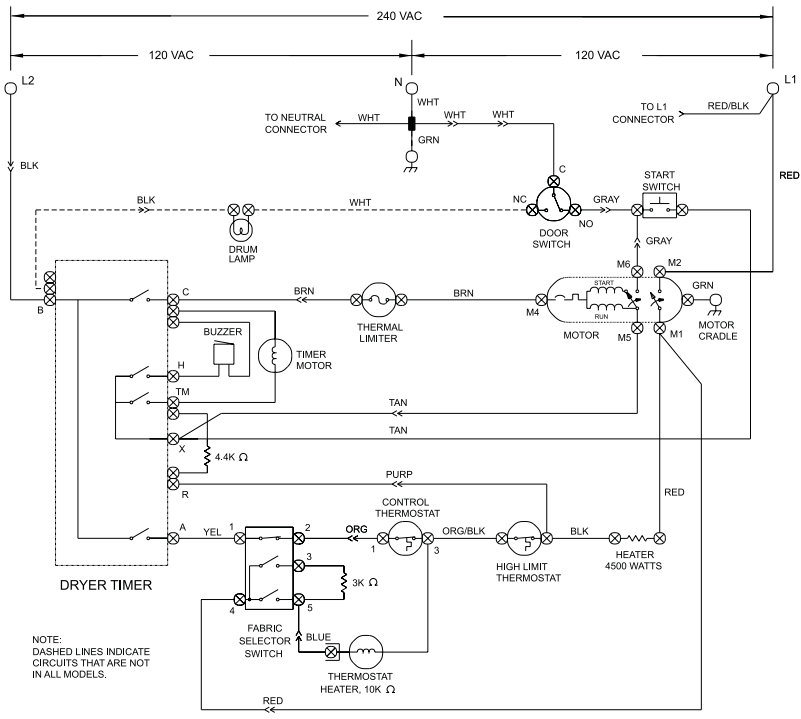
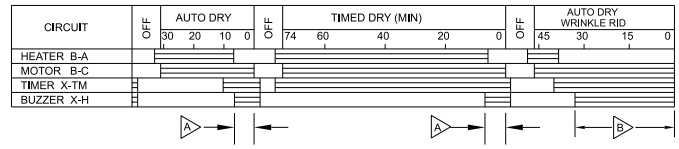
- ⊙ PLUG IN TIMER TERMINAL
- ⊕ QUICK DISCONNECT TERMINAL
- ⊙ SCREW TERMINAL
- ⊕ CONNECTION
- ⊕ NO CONNECTION
- ⊕ MOTOR SWITCH
- ⊕ SPLICE
- ⊕ MOTOR PROTECTOR
- ⊕ CHASSIS (CABINET) GROUND
- ⊕ HARNESS CONNECTOR TERMINAL
- ⊕ INSULATED TERMINAL

TEMPERATURE SWITCH CIRCUIT

	F-H	FF-H	FF-C
WASH/RINSE			
HOT/COLD	X	O	O
WARM/WARM (OPT)	O	X	X
COLD/COLD	O	O	X
WARM/COLD	X	O	X

X=CLOSED O=OPEN

- NOTES:
- ALL WIRING MUST CONFORM TO LOCAL ELECTRICAL CODES.
 - CONNECT DRYER TO 30 AMP INDIVIDUAL BRANCH CIRCUIT.
 - DRYER TIMER SHOWN IN OFF POSITION DOOR SWITCH CLOSED, MOTOR AT REST, AN THERMOSTAT CLOSED, AND FABRIC SELECTOR SWITCH AT HIGH HEAT.
- WASHER TIMER SHOWN IN ON POSITION TEMPERATURE SELECTOR SWITCH AT HOT WASH/COLD RINSE, AND PRESSURE SWITCH FULL.



THE BAR CHART ABOVE REPRESENTS ONE COMPLETE REVOLUTION OF TIMER SHAFT.

SHADED PORTION OF BAR CHART INDICATES THE PROPORTIONAL TIMES THAT INTERNAL TIMER CONTACTS ARE CLOSED.

A PULSER CAM, LOCATED NEXT TO THE BUZZER CAM AND ROTATING AT 12 REVOLUTIONS PER HOUR, ALLOWS CURCUIIT "X-H" TO CLOSE FOR 5 SECONDS (±3 SECONDS)

△ 1 OR 2 TIMES IN THIS AREA
▽ 6 TO 8 TIMES IN THIS AREA

FABRIC SELECTOR SWITCH

POSITION	1-2	3-4	4-5
NO HEAT	O	O	O
LOW HEAT	X	O	X
MEDIUM HEAT	X	X	O
HIGH HEAT	X	O	O

X=CLOSED O=OPEN

E