



cabrio[®]
FABRIC CARE SYSTEM
SYSTÈME DE SOIN DES TISSUS

CABRIO[®] STEAM FABRIC CARE SYSTEM GAS DRYER

Use & Care Guide

For questions about features, operation/performance, parts, accessories or service call: **1-800-253-1301**

In Canada, call: **1-800-807-6777**

or visit our website at

www.whirlpool.com or www.whirlpool.ca

SÉCHEUSE À GAZ CABRIO[®] AVEC SYSTÈME DE SOIN DES TISSUS

Guide d'utilisation et d'entretien

Au Canada, pour assistance, installation ou service, composez le :

1-800-807-6777

ou visitez notre site internet à

www.whirlpool.ca

Table of Contents/Table des matières 2

TABLE OF CONTENTS

DRYER SAFETY	3
INSTALLATION INSTRUCTIONS	5
Tools and Parts.....	5
Location Requirements.....	5
Electrical Requirements.....	6
Gas Supply Requirements.....	7
Venting Requirements.....	8
Plan Vent System.....	9
Install Vent System.....	10
Install Leveling Legs.....	10
Make Gas Connection.....	10
Connect Vent.....	11
Connect Inlet Hose.....	11
Level Dryer.....	12
Reverse Door Swing.....	12
Complete Installation.....	13
DRYER USE	15
Starting Your Dryer.....	15
Stopping, Pausing, or Restarting.....	16
Drying and Cycle Tips.....	16
Status Lights.....	17
Cycles.....	17
Modifiers.....	18
Options.....	19
End of Cycle Signal.....	19
Changing Cycles, Modifiers, and Options.....	19
Drying Rack Option.....	20
DRYER CARE	21
Cleaning the Dryer Location.....	21
Cleaning the Lint Screen.....	21
Cleaning the Dryer Interior.....	21
Removing Accumulated Lint.....	21
Water Inlet Hoses.....	21
Vacation, Storage, and Moving Care.....	21
Changing the Drum Light.....	22
TROUBLESHOOTING	22
Dryer Operation.....	22
Dryer Results.....	23
ASSISTANCE OR SERVICE	24
ACCESSORIES	24
WARRANTY	25

TABLE DES MATIÈRES

SÉCURITÉ DE LA SÈCHEUSE	26
INSTRUCTIONS D'INSTALLATION	29
Outillage et pièces.....	29
Exigences d'emplacement.....	29
Spécifications électriques.....	30
Alimentation en gaz.....	31
Exigences concernant l'évacuation.....	32
Planification du système d'évacuation.....	33
Installation du système d'évacuation.....	34
Installation des pieds de nivellement.....	34
Raccordement au gaz.....	35
Raccordement du conduit d'évacuation.....	35
Raccordement des tuyaux d'alimentation.....	35
Réglage de l'aplomb de la sècheuse.....	36
Inversion du sens d'ouverture de la porte.....	36
Achever l'installation.....	38
UTILISATION DE LA SÈCHEUSE	39
Mise en marche de la sècheuse.....	39
Arrêt, pause ou remise en marche.....	40
Conseils pour le séchage et les programmes.....	41
Témoins lumineux.....	41
Programmes.....	41
Modificateurs.....	43
Options.....	43
Signal de fin de programme.....	44
Changement des programmes, modificateurs et options.....	44
Option de grille de séchage.....	44
ENTRETIEN DE LA SÈCHEUSE	46
Nettoyage de l'emplacement de la sècheuse.....	46
Nettoyage du filtre à charpie.....	46
Nettoyage de l'intérieur de la sècheuse.....	46
Retrait de la charpie accumulée.....	46
Tuyaux d'arrivée d'eau.....	46
Précautions à prendre avant les vacances, un entreposage ou un déménagement.....	46
Changement de l'ampoule d'éclairage du tambour.....	47
DÉPANNAGE	47
Fonctionnement de la sècheuse.....	47
Résultats de la sècheuse.....	48
ASSISTANCE OU SERVICE	50
ACCESSOIRES	50
GARANTIE	51

DRYER SAFETY

Your safety and the safety of others are very important.

We have provided many important safety messages in this manual and on your appliance. Always read and obey all safety messages.



This is the safety alert symbol.

This symbol alerts you to potential hazards that can kill or hurt you and others.

All safety messages will follow the safety alert symbol and either the word “DANGER” or “WARNING.”

These words mean:

 **DANGER**

You can be killed or seriously injured if you don't immediately follow instructions.

 **WARNING**

You can be killed or seriously injured if you don't follow instructions.

All safety messages will tell you what the potential hazard is, tell you how to reduce the chance of injury, and tell you what can happen if the instructions are not followed.



WARNING - “Risk of Fire”

- Clothes dryer installation must be performed by a qualified installer.
- Install the clothes dryer according to the manufacturer’s instructions and local codes.
- Do not install a clothes dryer with flexible plastic venting materials. If flexible metal (foil type) duct is installed, it must be of a specific type identified by the appliance manufacturer as suitable for use with clothes dryers. Flexible venting materials are known to collapse, be easily crushed, and trap lint. These conditions will obstruct clothes dryer airflow and increase the risk of fire.
- To reduce the risk of severe injury or death, follow all installation instructions.
- Save these instructions.

IMPORTANT SAFETY INSTRUCTIONS

WARNING: To reduce the risk of fire, electric shock, or injury to persons when using the dryer, follow basic precautions, including the following:

- Read all instructions before using the dryer.
- Do not place items exposed to cooking oils in your dryer. Items contaminated with cooking oils may contribute to a chemical reaction that could cause a load to catch fire.
- Do not dry articles that have been previously cleaned in, washed in, soaked in, or spotted with gasoline, dry-cleaning solvents, or other flammable or explosive substances as they give off vapors that could ignite or explode.
- Do not allow children to play on or in the dryer. Close supervision of children is necessary when the dryer is used near children.
- Before the dryer is removed from service or discarded, remove the door to the drying compartment.
- Do not reach into the dryer if the drum is moving.
- Do not install or store the dryer where it will be exposed to the weather.
- Do not tamper with controls.
- Do not repair or replace any part of the dryer or attempt any servicing unless specifically recommended in this Use and Care Guide or in published user-repair instructions that you understand and have the skills to carry out.
- Do not use fabric softeners or products to eliminate static unless recommended by the manufacturer of the fabric softener or product.
- Do not use heat to dry articles containing foam rubber or similarly textured rubber-like materials.
- Clean lint screen before or after each load.
- Keep area around the exhaust opening and adjacent surrounding areas free from the accumulation of lint, dust, and dirt.
- The interior of the dryer and exhaust vent should be cleaned periodically by qualified service personnel.
- See installation instructions for grounding requirements.

SAVE THESE INSTRUCTIONS

IMPORTANT: The gas installation must conform with local codes, or in the absence of local codes, with the National Fuel Gas Code, ANSI Z223.1/NFPA 54 or the Canadian Natural Gas and Propane Installation Code, CSA B149.1.

The dryer must be electrically grounded in accordance with local codes, or in the absence of local codes, with the National Electrical Code, ANSI/NFPA 70 or Canadian Electrical Code, CSA C22.1.

WARNING: For your safety, the information in this manual must be followed to minimize the risk of fire or explosion, or to prevent property damage, personal injury, or death.

- Do not store or use gasoline or other flammable vapors and liquids in the vicinity of this or any other appliance.
- **WHAT TO DO IF YOU SMELL GAS:**
 - Do not try to light any appliance.
 - Do not touch any electrical switch; do not use any phone in your building.
 - Clear the room, building, or area of all occupants.
 - Immediately call your gas supplier from a neighbor's phone. Follow the gas supplier's instructions.
 - If you cannot reach your gas supplier, call the fire department.
- Installation and service must be performed by a qualified installer, service agency, or the gas supplier.

WARNING: Gas leaks cannot always be detected by smell.

Gas suppliers recommend that you use a gas detector approved by UL or CSA.

For more information, contact your gas supplier.

If a gas leak is detected, follow the "What to do if you smell gas" instructions.

In the State of Massachusetts, the following installation instructions apply:

- Installations and repairs must be performed by a qualified or licensed contractor, plumber, or gasfitter qualified or licensed by the State of Massachusetts.
- If using a ball valve, it shall be a T-handle type.
- A flexible gas connector, when used, must not exceed 3 feet.

State of California Proposition 65 Warnings:

WARNING: This product contains a chemical known to the State of California to cause cancer.

WARNING: This product contains a chemical known to the State of California to cause birth defects or other reproductive harm.

INSTALLATION INSTRUCTIONS

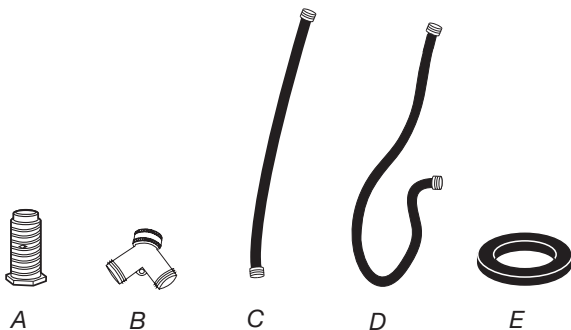
Tools and Parts

Gather the required tools and parts before starting installation. Read and follow the instructions provided with any tools listed here.

- 8" or 10" pipe wrench
- 8" or 10" adjustable wrench (for gas connections)
- Flat-blade screwdriver
- Adjustable wrench that opens to 1" (25 mm) or hex-head socket wrench (for adjusting dryer feet)
- Level
- 1/4" nut driver or socket wrench
- Knife
- Vent clamps
- Pipe-joint compound resistant to LP gas
- Caulking gun and compound (for installing new exhaust vent)
- Pliers

Parts supplied:

Remove parts package from dryer drum. Check that all parts were included.



- A. Leveling legs (4)
- B. "Y" connector
- C. Short inlet hose
- D. Long inlet hose
- E. Rubber washer

Parts needed:

Check local codes and consult gas supplier. Check existing gas supply, electrical supply, and venting, and read "Electrical Requirements," "Gas Supply Requirements," and "Venting Requirements" before purchasing parts.

Mobile home installations require special parts (listed following) that may be ordered by calling the dealer from whom you purchased your dryer. For information on ordering, please refer to the "Assistance or Service" section. You may also contact the dealer from whom you purchased your dryer.

- Mobile home installation kit. Ask for Part Number 346764.
- Metal exhaust system hardware.

Location Requirements

⚠ WARNING



Explosion Hazard

Keep flammable materials and vapors, such as gasoline, away from dryer.

Place dryer at least 18 inches (460 mm) above the floor for a garage installation.

Failure to do so can result in death, explosion, or fire.

You will need

- A location that allows for proper exhaust installation. See "Venting Requirements."
- A separate 30-amp circuit.

- A grounded electrical outlet located within 2 ft (610 mm) of either side of the dryer. See “Electrical Requirements.”
- A sturdy floor to support the total weight (dryer and load) of 200 lbs (90.7 kg). The combined weight of a companion appliance should also be considered.
- Cold water faucets located within 4 ft (1.2 m) of the water fill valves, and water pressure of 20-100 psi (138-690 kPa). You may use the water supply for your washer using the “Y” connector and short hose (if needed) which are provided.
- 20-100 psi (138-690 kPa) for best performance.
- A level floor with a maximum slope of 1" (25 mm) under entire dryer.

Do not operate your dryer at temperatures below 45°F (7°C). At lower temperatures, the dryer might not shut off at the end of an automatic cycle. Drying times can be extended.

The dryer must not be installed or stored in an area where it will be exposed to water and/or weather.

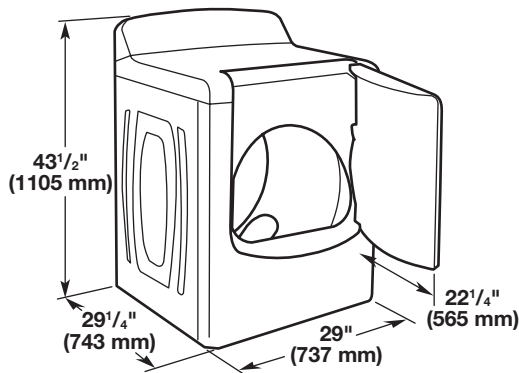
Check code requirements. Some codes limit, or do not permit, installation of the dryer in garages, closets, mobile homes, or sleeping quarters. Contact your local building inspector.

NOTE: No other fuel-burning appliance can be installed in the same closet as a dryer.

Installation Clearances

The location must be large enough to allow the dryer door to open fully.

Dryer Dimensions



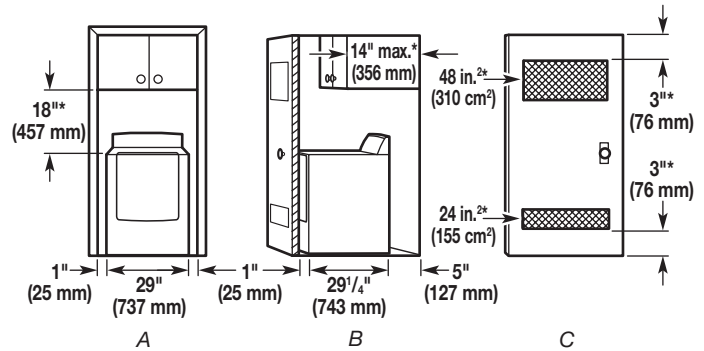
*Most installations require a minimum 5" (127 mm) clearance behind the dryer for the exhaust vent with elbow. See “Venting Requirements.”

Installation spacing for recessed area or closet installation

The following spacing dimensions are recommended for this dryer. This dryer has been tested for spacing of 0" (0 mm) clearance on the sides and rear. Recommended spacing should be considered for the following reasons:

- Additional spacing should be considered for ease of installation and servicing.
- Additional clearances might be required for wall, door, and floor moldings.
- Additional spacing should be considered on all sides of the dryer to reduce noise transfer.
- For closet installation, with a door, minimum ventilation openings in the top and bottom of the door are required. Louvered doors with equivalent ventilation openings are acceptable.
- Companion appliance spacing should also be considered.

- Additional spacing is required if you exhaust out the rear of the dryer to either the right or left side.



A. Recessed area
B. Side view - closet or confined area
C. Closet door with vents

*Required spacing

Mobile home - Additional installation requirements

This dryer is suitable for mobile home installations. The installation must conform to the Manufactured Home Construction and Safety Standard, Title 24 CFR, Part 3280 (formerly the Federal Standard for Mobile Home Construction and Safety, Title 24, HUD Part 280) or Standard CAN/CSA-Z240 MH.

Mobile home installations require:

- Metal exhaust system hardware, which is available for purchase from your dealer.
- Mobile home Installation Kit Part Number 346764. See “Tools and Parts” section for information on ordering.
- Special provisions must be made in mobile homes to introduce outside air into the dryer. The opening (such as a nearby window) should be at least twice as large as the dryer exhaust opening.

Electrical Requirements

⚠ WARNING



Electrical Shock Hazard

Plug into a grounded 3 prong outlet.

Do not remove ground prong.

Do not use an adapter.

Do not use an extension cord.

Failure to follow these instructions can result in death, fire, or electrical shock.

- 120 Volt, 60 Hz., AC only, 15- or 20-amp fused electrical supply is required. A time-delay fuse or circuit breaker is recommended.

It is also recommended that a separate circuit serving only this dryer be provided.

GROUNDING INSTRUCTIONS

■ For a grounded, cord-connected dryer:
This dryer must be grounded. In the event of malfunction or breakdown, grounding will reduce the risk of electric shock by providing a path of least resistance for electric current. This dryer is equipped with a cord having an equipment-grounding conductor and a grounding plug. The plug must be plugged into an appropriate outlet that is properly installed and grounded in accordance with all local codes and ordinances.

WARNING: Improper connection of the equipment-grounding conductor can result in a risk of electric shock. Check with a qualified electrician or service representative or personnel if you are in doubt as to whether the dryer is properly grounded. Do not modify the plug provided with the dryer: if it will not fit the outlet, have a proper outlet installed by a qualified electrician.

SAVE THESE INSTRUCTIONS

Gas Supply Requirements

⚠ WARNING



Explosion Hazard

Use a new CSA International approved gas supply line.

Install a shut-off valve.

Securely tighten all gas connections.

If connected to LP, have a qualified person make sure gas pressure does not exceed 13" (330 mm) water column.

Examples of a qualified person include:

**licensed heating personnel,
authorized gas company personnel, and
authorized service personnel.**

Failure to do so can result in death, explosion, or fire.

Gas Type

Natural Gas:

This dryer is equipped for use with Natural gas. It is design-certified by CSA International for LP (propane or butane) gases with appropriate conversion.

- Your dryer must have the correct burner for the type of gas in your home. Burner information is located on the rating plate in the door well of your dryer. If this information does not agree with the type of gas available, contact your dealer or call the phone numbers referenced on the front page of this manual.

LP gas conversion:

Conversion must be made by a qualified technician.

No attempt shall be made to convert the appliance from the gas specified on the model/serial rating plate for use with a different gas without consulting your gas company. For information on ordering an LP conversion kit, please refer to the "Assistance or Service" section. Ask for Part Number 49572.

Gas Supply Line:

- Must include 1/8" NPT minimum plugged tapping accessible for test gauge connection, immediately upstream of the gas connection to the dryer (see illustration).
 - 1/2" IPS pipe is recommended.
 - 3/8" approved aluminum or copper tubing is acceptable for lengths under 20 ft (6.1 m) if local codes and gas supplier permit.
 - If you are using Natural gas, do not use copper tubing.
 - 3/8" flare x 3/8" NPT adapter fitting between dryer pipe and 3/8" approved tubing.
 - Lengths over 20 ft (6.1 m) should use larger tubing and a different size adapter fitting.
 - If your dryer has been converted to use LP gas, 3/8" LP compatible copper tubing can be used. If the total length of the supply line is more than 20 ft (6.1 m), use larger pipe.
- NOTE:** Pipe-joint compounds that resist the action of LP gas must be used. Do not use TEFLON^{®†} tape.
- Must include a shutoff valve:

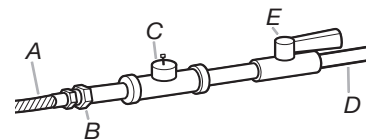
In the U.S.A.:

An individual manual shutoff valve must be installed within six (6) feet (1.8 m) of the dryer in accordance with the National Fuel Gas Code, ANSI Z223.1.

In Canada:

An individual manual shutoff valve must be installed in accordance with the B149.1, Natural Gas and Propane Installation Code. It is recommended that an individual manual shutoff valve be installed within six (6) feet (1.8 m) of the dryer.

The location should be easy to reach for opening and closing.



- A. 3/8" flexible gas connector
- B. 3/8" pipe to flare adapter fitting
- C. 1/8" NPT minimum plugged tapping
- D. 1/2" NPT gas supply line
- E. Gas shutoff valve

Gas supply connection requirements

- Use an elbow and a 3/8" flare x 3/8" NPT adapter fitting between the flexible gas connector and the dryer gas pipe, as needed to avoid kinking.
- Use only pipe-joint compound. Do not use TEFLON^{®†} tape.
- This dryer must be connected to the gas supply line with a listed flexible gas connector that complies with the standard for connectors for gas appliances, ANSI Z21.24 or CSA 6.10.

[†]TEFLON is a registered trademark of E.I. Du Pont De Nemours and Company.

Burner Input Requirements:

Elevations above 10,000 ft (3,048 m):

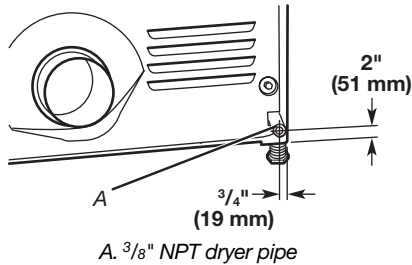
- When installed above 10,000 ft (3,048 m) a 4% reduction of the burner Btu rating shown on the model/serial number plate is required for each 1,000 ft (305 m) increase in elevation.

Gas Supply Pressure Testing

- The dryer must be disconnected from the gas supply piping system during pressure testing at pressures greater than 1/2 psi.

Dryer Gas Pipe

- The gas pipe that comes out through the rear of your dryer has a 1/8" male pipe thread.



Venting Requirements

⚠ WARNING



Fire Hazard

- Use a heavy metal vent.
- Do not use a plastic vent.
- Do not use a metal foil vent.
- Failure to follow these instructions can result in death or fire.

WARNING: To reduce the risk of fire, this dryer MUST BE EXHAUSTED OUTDOORS.

IMPORTANT: Observe all governing codes and ordinances.

The dryer exhaust must not be connected into any gas vent, chimney, wall, ceiling, attic, crawlspace, or a concealed space of a building.

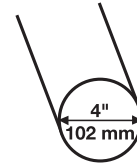
If using an existing vent system

- Clean lint from the entire length of the system and make sure exhaust hood is not plugged with lint.
- Replace any plastic or metal foil vent with rigid heavy metal or flexible metal vent.
- Review Vent system chart. Modify existing vent system if necessary to achieve the best drying performance.

If this is a new vent system

Vent material

- Use a heavy metal vent. Do not use plastic or metal foil vent.
- 4" (102 mm) heavy metal exhaust vent and clamps must be used. DURASAFE™ venting products are recommended.



4" (102 mm) heavy metal exhaust vent

DURASAFE™ vent products can be purchased from your dealer or by calling Whirlpool Parts and Accessories. For more information, see the "Assistance or Service" section.

Rigid metal vent

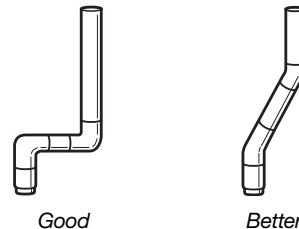
- For best drying performance, rigid metal vents are recommended.
- Rigid metal vent is recommended to avoid crushing and kinking.

Flexible metal vent

- Flexible metal vents are acceptable only if accessible for cleaning.
- Flexible metal vent must be fully extended and supported when the dryer is in its final location.
- Remove excess flexible metal vent to avoid sagging and kinking that may result in reduced airflow and poor performance.
- Do not install flexible metal vent in enclosed walls, ceilings, or floors.
- The total length of flexible metal duct shall not exceed 7 3/4 ft (2.4 m).

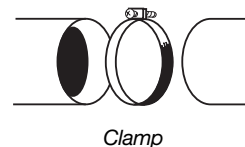
Elbows

45° elbows provide better airflow than 90° elbows.



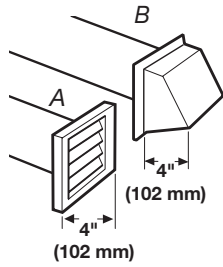
Clamps

- Use clamps to seal all joints.
- Exhaust vent must not be connected or secured with screws or other fastening devices that extend into the interior of the duct and catch lint. Do not use duct tape.



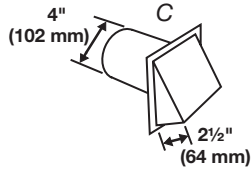
Exhaust

Recommended hood styles are shown here.



A. Louvered hood style
B. Box hood style

The angled hood style (shown here) is acceptable.



- An exhaust hood should cap the vent to keep rodents and insects from entering the home.
- Exhaust hood must be at least 12" (305 mm) from the ground or any object that may be in the path of the exhaust (such as flowers, rocks, or bushes, snow line, etc.).
- Do not use an exhaust hood with a magnetic latch.

Improper venting can cause moisture and lint to collect indoors, which may result in:

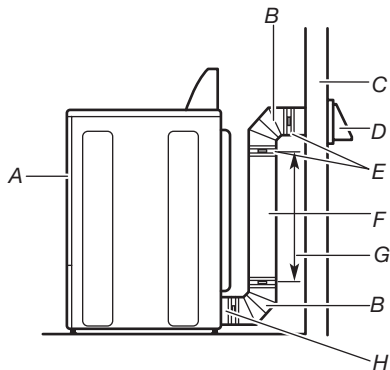
- Moisture damage to woodwork, furniture, paint, wallpaper, carpets, etc.
- Housecleaning problems and health problems.

Plan Vent System

Choose your exhaust installation type

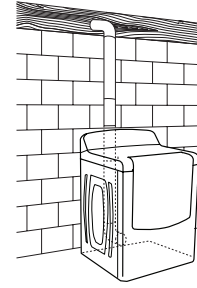
Recommended exhaust installations

Typical installations vent the dryer from the rear of the dryer.



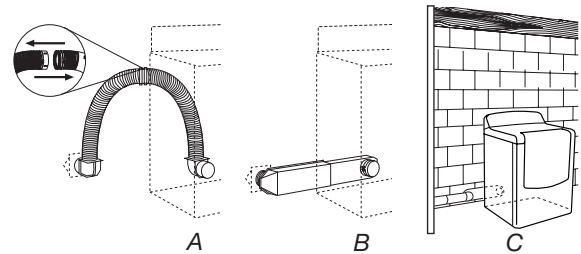
A. Dryer
B. Elbow
C. Wall
D. Exhaust hood
E. Clamps
F. Rigid metal or flexible metal vent
G. Vent length necessary to connect elbows
H. Exhaust outlet

Standard exhaust installation with rigid metal or flexible metal vent



Alternate installations for close clearances

Venting systems come in many varieties. Select the type best for your installation. Two close-clearance installations are shown. Refer to the manufacturer's instructions.



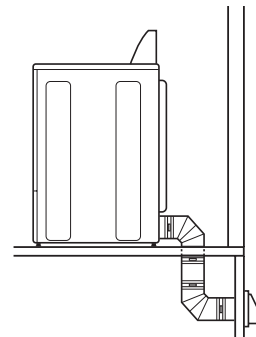
A. Over-the-top installation (also available with one offset elbow)
B. Periscope installation
C. Rear exhaust installation to left or right side

NOTE: The following kits for close clearance alternate installations are available for purchase. Please see the "Assistance or Service" section to order.

- Over-the-Top Installation:
Part Number 4396028
- Periscope Installation (For use with dryer vent to wall vent mismatch):
Part Number 4396037 - 0" (0 mm) to 18" (457 mm) mismatch
Part Number 4396011 - 18" (457 mm) to 29" (737 mm) mismatch
Part Number 4396014 - 29" (737 mm) to 50" (127 mm) mismatch
- Rear exhaust installation to left or right side:
Part Number 49611
- Rear Exhaust installation to left side
Part Numbers 8544761 and 8212504

Special provisions for mobile home installations

The exhaust vent must be securely fastened to a noncombustible portion of the mobile home structure and must not terminate beneath the mobile home. Terminate the exhaust vent outside.



Determine vent path

- Select the route that will provide the straightest and most direct path outdoors.
- Plan the installation to use the fewest number of elbows and turns.
- When using elbows or making turns, allow as much room as possible.
- Bend vent gradually to avoid kinking.
- Use the fewest 90° turns possible.

Determine vent length and elbows needed for best drying performance

- Use the following Vent system chart to determine type of vent material and hood combinations acceptable to use.

NOTE: Do not use vent runs longer than those specified in the Vent system chart. Exhaust systems longer than those specified will:

- Shorten the life of the dryer.
- Reduce performance, resulting in longer drying times and increased energy usage.

The Vent system chart provides venting requirements that will help to achieve the best drying performance.

Vent system chart

NOTE: Performance of rear exhaust to either side of the dryer is equivalent to adding one elbow. To determine maximum exhaust length, add one elbow to the chart.

Number of 90° turns or elbows	Type of vent	Box or Louvered hoods	Angled hoods
0	Rigid metal	64 ft (20 m)	58 ft (17.7 m)
1	Rigid metal	54 ft (16.5 m)	48 ft (14.6 m)
2	Rigid metal	44 ft (13.4 m)	38 ft (11.6 m)
3	Rigid metal	35 ft (10.7 m)	29 ft (8.8 m)
4	Rigid metal	27 ft (8.2 m)	21 ft (6.4 m)

Install Vent System

1. Install exhaust hood. Use caulking compound to seal exterior wall opening around exhaust hood.
2. Connect vent to exhaust hood. Vent must fit inside exhaust hood. Secure vent to exhaust hood with 4" (102 mm) clamp.
3. Run vent to dryer location. Use the straightest path possible. See "Determine vent path" in "Plan Vent System." Avoid 90° turns. Use clamps to seal all joints. Do not use duct tape, screws, or other fastening devices that extend into the interior of the vent to secure vent, because they can catch lint.

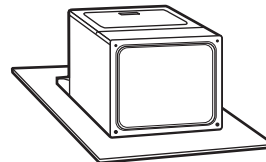
Install Leveling Legs

⚠ WARNING

Excessive Weight Hazard

**Use two or more people to move and install dryer.
Failure to do so can result in back or other injury.**

1. To avoid damaging the floor, use a large flat piece of cardboard from the dryer carton. Place cardboard under the entire back edge of the dryer.
2. Firmly grasp the body of the dryer (not the top or console panel). Gently lay the dryer on the cardboard. See illustration.



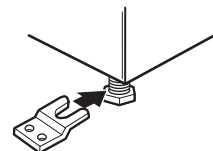
3. Examine the leveling legs. Find the diamond marking.



4. Screw the legs into the leg holes by hand. Use a wrench to finish turning the legs until the diamond marking is no longer visible.
5. Place a carton corner post from dryer packaging under each of the 2 dryer back corners. Stand the dryer up. Slide the dryer on the corner posts until it is close to its final location. Leave enough room to connect the exhaust vent or gas line.

For mobile home use

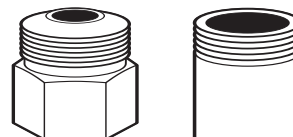
Gas dryers must be securely fastened to the floor.



Mobile home installations require a Mobile Home Installation Kit. See "Tools and Parts" section for information on ordering.

Make Gas Connection

1. Remove the red cap from the gas pipe.
2. Using a wrench to tighten, connect the gas supply to the dryer. Use pipe-joint compound on the threads of all non-flared male fittings. If flexible metal tubing is used, be sure there are no kinks.



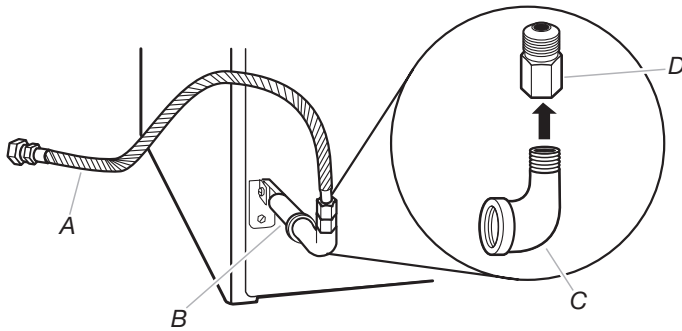
A. Flared male thread

B. Non-flared male thread

NOTE: For LP gas connections, you must use pipe-joint compound resistant to the action of LP gas. Do not use TEFLON^{®†} tape.

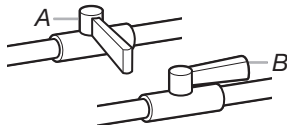
[†]TEFLON is a registered trademark of E.I. Du Pont De Nemours and Company.

A combination of pipe fittings must be used to connect the dryer to the existing gas line. Shown is a recommended connection. Your connection may be different, according to the supply line type, size, and location.



- A. $\frac{3}{8}$ " flexible gas connector
- B. $\frac{3}{8}$ " dryer pipe
- C. $\frac{3}{8}$ " to $\frac{3}{8}$ " pipe elbow
- D. $\frac{3}{8}$ " pipe-to-flare adapter fitting

3. Open the shutoff valve in the supply line. The valve is open when the handle is parallel to the gas pipe.



- A. Closed valve
- B. Open valve

4. Test all connections by brushing on an approved noncorrosive leak-detection solution. Bubbles will show a leak. Correct any leak found.

Connect Vent

1. Using a 4" (102 mm) clamp, connect vent to exhaust outlet in dryer. If connecting to existing vent, make sure the vent is clean. The dryer vent must fit over the dryer exhaust outlet and inside the exhaust hood. Check that the vent is secured to exhaust hood with a 4" (102 mm) clamp.
2. Move dryer into its final location. Do not crush or kink vent.
3. Check that there are no kinks in the flexible gas line.
4. Once the exhaust vent connection is made, remove the corner posts and cardboard.

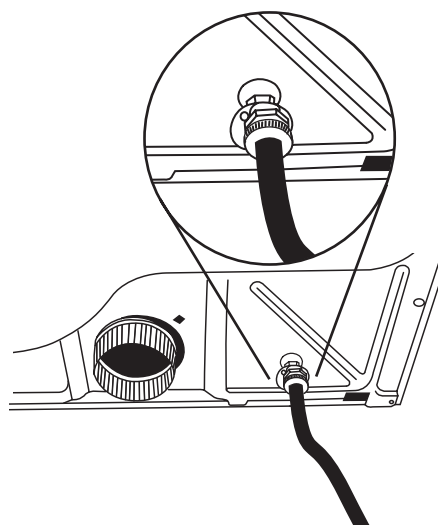
Connect Inlet Hose

The dryer must be connected to the cold water faucet using the new inlet hoses. Do not use old hoses.

1. Turn cold water faucet off and remove washer inlet hose.
2. Remove old rubber washer from inlet hose and replace with new rubber washer provided. If space permits, attach the brass female end of the "Y" connector to the cold water faucet.

NOTE: If "Y" connector can be attached directly to cold water faucet, go to Step 6. If "Y" connector cannot be attached directly to the cold water faucet, the short hose must be used. Continue with Step 3.

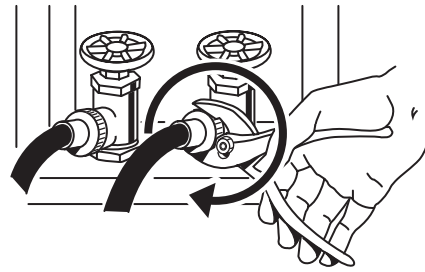
3. Attach short hose to cold water faucet. Screw on coupling by hand until it is seated on faucet.



NOTE: Do not overtighten. Damage to the coupling can result.

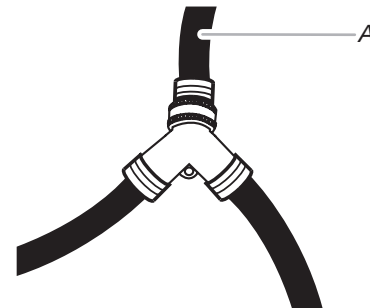
11. Check that the water faucets are on.
12. Check for leaks around "Y" connector, faucet, and hoses.

4. Using pliers, tighten the couplings with an additional two-thirds turn.



NOTE: Do not overtighten. Damage to the coupling can result.

5. Attach "Y" connector to brass male end of small hose. Screw on coupling by hand until it is seated on connector.
6. One end of the long hose has a wire mesh strainer inside the coupling. Attach this end to the "Y" connector.
7. Attach washer cold inlet hose to other end of "Y" connector. Screw on coupling by hand until it is seated on connector.
8. Using pliers, tighten the couplings with an additional two-thirds turn.



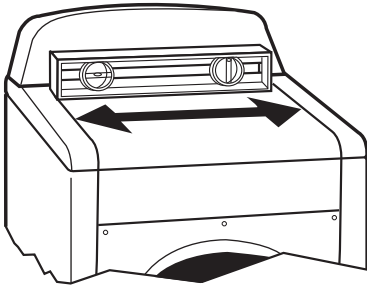
A. Inlet to cold water

NOTE: Do not overtighten. Damage to the coupling can result.

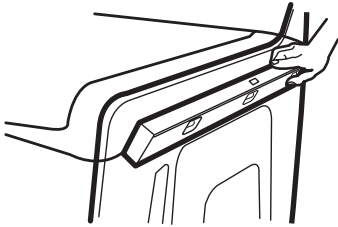
9. Attach other end of long hose to fill valve at bottom of dryer back panel. Screw on coupling by hand until it is seated on fill valve connector.
10. Using pliers, tighten the coupling with an additional two-thirds turn.

Level Dryer

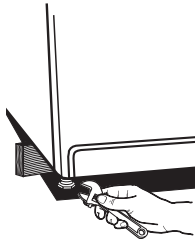
Check the levelness of the dryer by first placing a level on the top of the dryer near the console.



Then, by placing a level in the crease on the side of the dryer between the top of the dryer and the dryer cabinet, check the levelness from front to back.



If the dryer is not level, prop up the dryer using a wood block. Use a wrench to adjust the legs up or down and check again for levelness.



Reverse Door Swing

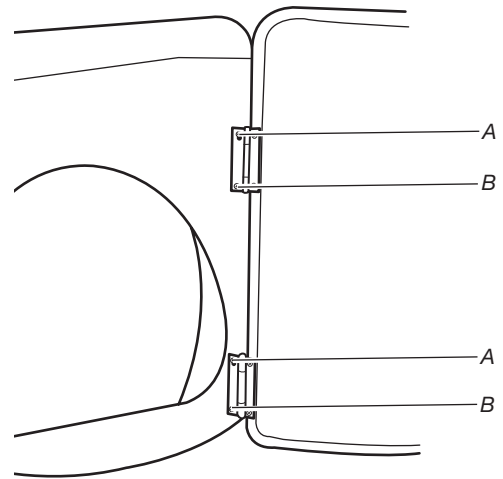
You can change your door swing from a right-side opening to a left-side opening, if desired.

1. Place a towel or soft cloth on top of the dryer or work space to avoid damaging the surface.

Remove the door assembly

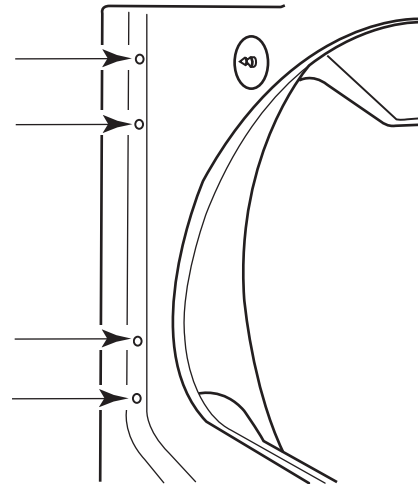
1. Open the dryer door.
2. Remove the bottom screw from each of the 2 hinges that attach the dryer door to the front panel of the dryer.

3. Loosen the top screw from each of the 2 hinges in Step 2.



A. Loosen these screws.
B. Remove these screws.

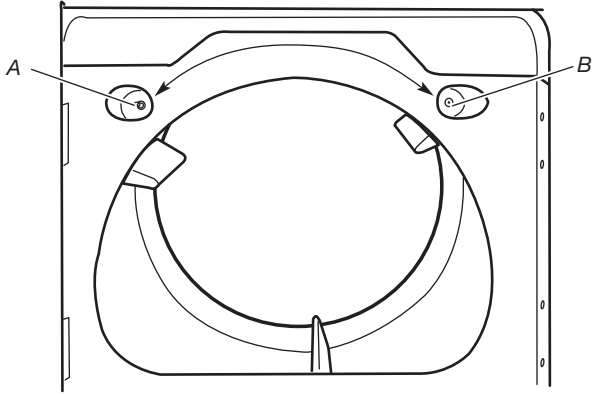
4. Remove the dryer door and the hinges by lifting upward on the door. Lay the door on a flat, protected surface, with the inside of the door facing up. Remove remaining 2 loose screws from dryer front panel.
5. Remove the 4 plastic plugs located outside the dryer door opening.



6. Install 4 plastic plugs into screw holes in the dryer left where the hinges were removed in Step 4.

Reverse the strike

1. Remove the door strike from the dryer door opening.
2. Remove the cosmetic screw opposite the door strike.



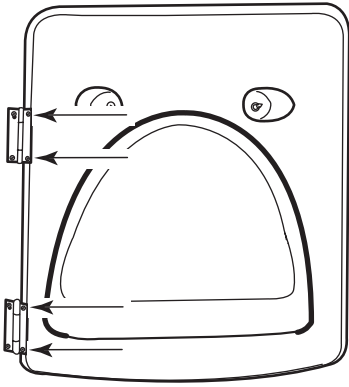
A. Door strike
B. Cosmetic screw

3. Reinstall the door strike and cosmetic screw on the opposite side of the dryer door opening from where they were removed.

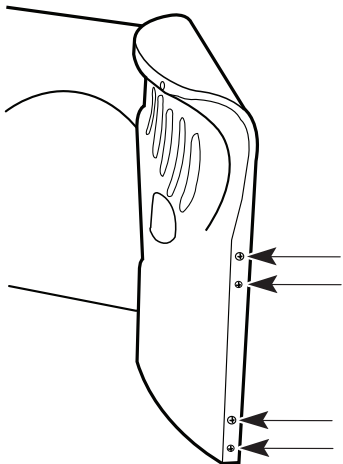
NOTE: Door strike and plugs must be on the same side of the dryer door opening.

Reinstall the door

1. Remove the 4 screws and 2 hinges from the dryer door.
2. Replace the 4 screws in the same holes.

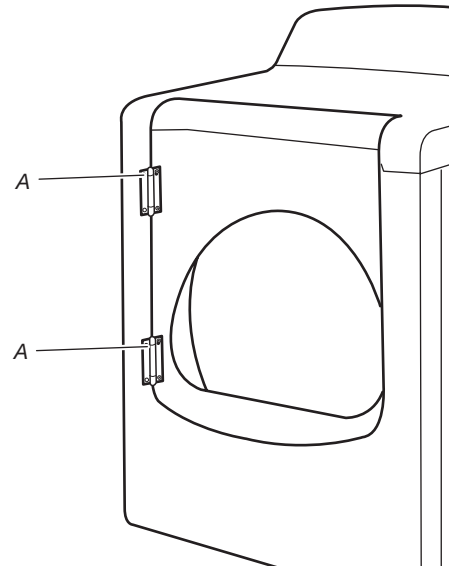


3. Remove the 4 screws from the opposite side of the door.



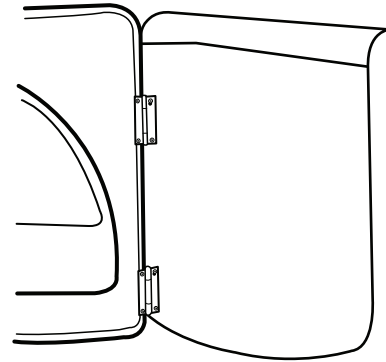
4. Install the 2 hinges to the front panel of the dryer using 4 screws. Use the non-slotted side to attach the hinge to the front panel.

5. Install screws in the top hinge holes in the door. Do not tighten screws. Leave approximately 1/4" (5 mm) of screw exposed.



A. Install these screws first.

6. Hang door by placing screw heads into top slotted holes of hinges and slide door down. Align bottom screw holes in hinge and door. Install two bottom screws. Tighten all hinge screws.




7. Close door to engage door strike.

Complete Installation

1. Check that all parts are now installed. If there is an extra part, go back through the steps to see which step was skipped.
2. Check that you have all of your tools.
3. Dispose of/recycle all packaging materials.
4. Be sure the water faucets are on.
5. Check for leaks around "Y" connector, faucet, and hoses.
6. Check the dryer's final location. Be sure the vent is not crushed or kinked.

7. Check that the dryer is level. See “Level Dryer.”

⚠ WARNING



Electrical Shock Hazard

Plug into a grounded 3 prong outlet.

Do not remove ground prong.

Do not use an adapter.

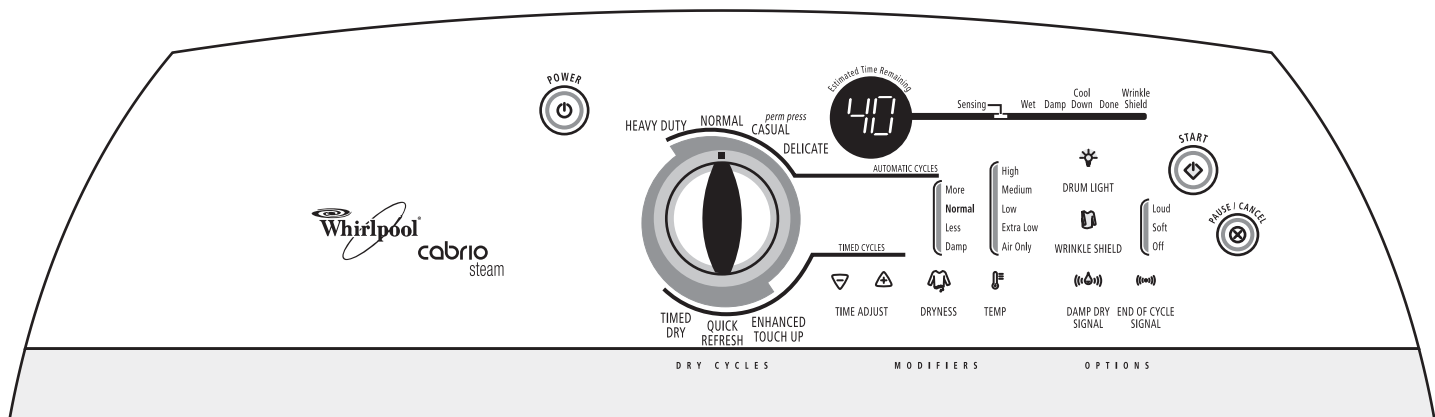
Do not use an extension cord.

Failure to follow these instructions can result in death, fire, or electrical shock.

8. Plug into a grounded 3 prong outlet. Turn on power.
9. Remove any film or tape remaining on the dryer.
NOTE: Glass door models have a film on the window that should be removed.
10. Read “Dryer Use.”
11. Wipe the dryer drum interior thoroughly with a damp cloth to remove any dust.

12. If you live in a hard water area, use of a water softener is recommended to control the buildup of scale through the water system in the dryer. Over time, the buildup of lime scale may clog different parts of the water system, which will reduce product performance. Excessive scale buildup may lead to the need for certain part replacement or repair.
13. Test dryer operation by selecting a Timed Dry heated cycle and starting the dryer. For this test, do not select the Air Only modifier.
If the dryer will not start, check the following:
- Dryer is plugged into a grounded 3 prong outlet.
 - Electrical supply is connected.
 - Household fuse is intact and tight, or circuit breaker has not tripped.
 - Dryer door is closed.
14. When the dryer has been running for 5 minutes, open the dryer door and feel for heat. If you feel heat, cancel cycle and close door. If you do not feel heat, turn off the dryer and check that the gas supply line shutoff valve is open.
- If the gas supply line shutoff valve is closed, open it, then repeat the 5-minute test as outlined above.
 - If the gas supply line shutoff valve is open, contact a qualified technician.

DRYER USE



Starting Your Dryer

WARNING



Explosion Hazard

Keep flammable materials and vapors, such as gasoline, away from dryer.

Do not dry anything that has ever had anything flammable on it (even after washing).

Failure to follow these instructions can result in death, explosion, or fire.

WARNING



Fire Hazard

No washer can completely remove oil.

Do not dry anything that has ever had any type of oil on it (including cooking oils).

Items containing foam, rubber, or plastic must be dried on a clothesline or by using an Air Cycle.

Failure to follow these instructions can result in death or fire.

This manual covers several different models. Your dryer may not have all of the cycles and features described.

Follow these basic steps to start your dryer. Please refer to specific sections of this manual for more detailed information.

1. Clean lint screen before each load. See "Cleaning the Lint Screen."
2. Place laundry into dryer and shut door.
3. Press POWER.
4. Turn the knob to the selected cycle. The preset settings for Automatic Cycles or Timed Cycles will illuminate. The estimated (automatic cycle) or actual (timed) cycle time (in minutes) will show in the display.

NOTE: A default time is displayed when an automatic cycle is selected. During the first few minutes of the drying process, the cycle time may automatically vary from the default time based on the size and fabric type of the load. Toward the end of the drying process, the estimated time display will adjust again, showing the final drying time.

To use an Automatic Cycle

- Press POWER.
- Turn the knob to desired Automatic Cycle.

- Select DRYNESS to adjust how dry you want the load. As the cycle runs, the control senses the dryness of the load and adjusts the time automatically for the selected dryness level.

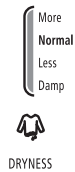
The default dryness setting is Normal when an Automatic Cycle is selected. You can select a different dryness level, depending on your load, by pressing Dryness and choosing More, Less, or Damp. Selecting More, Less, or Damp automatically adjusts the sensed time needed. Once a dryness level is set, it cannot be changed without stopping the cycle.

- Select the desired Options.

To make changes during an Automatic Cycle:

- Press PAUSE/CANCEL.

- Adjust Dryness.



NOTE: Dryness selections can be made only while using Automatic Cycles.

How the AccelerCare® Drying System Works

Moisture-sensing strips and temperature sensors inside the dryer drum monitor how fast the load is drying, how hot the air should be and when clothes are dry. The system automatically stops the cycle to help save time and avoid overdrying.

To use a Timed Cycle

- Turn knob to desired Timed Cycle.
- Press the TIME ADJUST up or down arrows until the desired drying time is displayed. Press the up or down arrows and the time will change by 1-minute intervals. Press and hold the up or down arrows and the time will change by 5-minute intervals.

NOTE: The Time Adjust features can be used only with the Timed Dry and the Enhanced Touch Up cycles.



TIME ADJUST

- Press TEMP until the desired temperature illuminates.



NOTE: The Temp feature can be used only with the Timed Dry and the Enhanced Touch Up cycles.

NOTE: During the Timed Dry Cycle, you can change the settings for Time, Temp, the WRINKLE SHIELD™ setting, and the End of Cycle Signal.

- (OPTIONAL STEP) If desired, select OPTIONS. For more details, see “Options.”
- (OPTIONAL STEP) If desired, press END OF CYCLE SIGNAL. A signal will sound to alert you when a cycle ends. For more details, see “End of Cycle Signal.”
- Press START. Be sure the door is closed.
 - If you do not press Start within 5 minutes of selecting the cycle, the dryer automatically shuts off.
 - If you wish to end your drying cycle after pressing Start, press PAUSE/CANCEL twice.

To use a Steam Cycle (Quick Refresh and Enhanced Touch Up)

- Press POWER.
- Turn the knob to select either the Enhanced Touch Up or the Quick Refresh cycles.

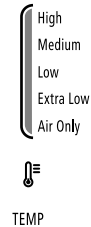
- Press the TIME ADJUST up or down arrows until the desired drying time is displayed. Press the up or down arrows and the time will change by 1-minute intervals. Press and hold the up or down arrows and the time will change by 5-minute intervals.

NOTE: The Time Adjust features can be used only with the Timed Dry and the Enhanced Touch Up cycles.



TIME ADJUST

- Press TEMP until the desired temperature illuminates.



NOTE: The Temp feature can be used only with the Timed Dry and the Enhanced Touch Up cycles. Only the Medium and High temperature settings can be used for the Enhanced Touch Up Cycle.

NOTE: During the Enhanced Touch Up cycle, you can change the settings for Time Adjust and Temp. Open the door or press PAUSE/CANCEL once to pause the cycle, or press PAUSE/CANCEL twice to cancel a cycle.

Stopping, Pausing, or Restarting

To stop or pause your dryer at any time

Open the door or press PAUSE/CANCEL once. Press PAUSE/CANCEL twice to cancel a cycle.

To restart the dryer

Close the door. Press START until dryer starts.

NOTE: Drying will continue from where the cycle was interrupted if you close the door and press Start within 5 minutes. If the cycle is interrupted for more than 5 minutes, the dryer will shut off. Select new cycle settings before restarting the dryer.

Drying and Cycle Tips

Select the correct cycle and dryness level or temperature for your load. If an Automatic Cycle is running, the display shows the estimated cycle time when your dryer is automatically sensing the dryness level of your load. If a Timed Cycle is running, the display shows the exact number of minutes remaining in the cycle.

Cool Down tumbles the load without heat during the last few minutes of all cycles. Cool Down makes the loads easier to handle and reduces wrinkling. The length of the Cool Down depends on the load size and dryness level.

Drying tips

- Follow care label directions when they are available.
- If desired, add a fabric softener sheet. Follow package instructions.
- To reduce wrinkling, remove the load from the dryer as soon as tumbling stops. This is especially important for permanent press, knits, and synthetic fabrics.
- Avoid drying heavy work clothes together with lighter fabrics. This could cause overdrying of lighter fabrics and lead to increased shrinkage or wrinkling.

Cycle tips

- Dry most loads using the preset cycle settings.
 - Refer to the Automatic or Timed Preset Cycle Settings chart (in the “Cycles” section) for a guide to drying various loads.
 - Drying temperature and dryness level are preset when you choose an Automatic Cycle. You can select a different dryness level, depending on your load, by pressing Dryness and choosing More, Normal, Less, or Damp.
- NOTE:** You cannot use the Time Adjust and you cannot choose a Temperature with the Automatic Cycles.
- If you wish to adjust the cycle length of a Timed Cycle, press the Time Adjust up or down arrows. Adjust the temperature of a Timed Cycle by pressing Temp until the desired temperature is selected.
- NOTE:** You cannot choose a dryness level with Timed Cycles.

Status Lights

Follow the progress of your dryer with the drying Status indicator lights.



Sensing

- In an Automatic Cycle, the Sensing light illuminates until a wet item is detected.
- In the Timed Cycle, the Sensing light illuminates at the beginning of a cycle and turns off 5 minutes into the cycle.

Wet

The Wet light illuminates at the beginning of an Automatic Cycle if a wet item is detected.

- In an Automatic Cycle, if a wet item is not detected after approximately 5 minutes, the dryer goes directly into Cool Down and the Cool Down and the WRINKLE SHIELD™ setting indicators illuminate, if selected.
- In a Timed Cycle, wet items are not detected. The dryer will continue to run for the length of time selected, and the Wet light will illuminate. The damp light will not illuminate.
- In the Enhanced Touch Up or the Quick Refresh Steam Cycles, the Wet light comes on after the water has been sprayed into the drum, 5-6 minutes into the cycle. The Wet light illuminates until the dryer goes into Cool Down with 1 minute of time remaining.

Damp

The Damp light illuminates in an Automatic Cycle when the laundry is approximately 80% dry. Damp Dry Signal beeps, if selected. See “Options.”

Cool Down

The Cool Down light illuminates during the cool down part of the cycle. Laundry cools for ease in handling.

Done

The Done light illuminates when the drying cycle is finished. This indicator stays on during the WRINKLE SHIELD™ setting.

WRINKLE SHIELD™ Setting

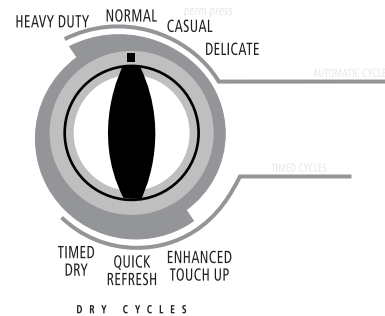
The WRINKLE SHIELD™ setting light illuminates when this option is selected. This indicator stays on during the WRINKLE SHIELD™ setting.

Indicator lights

Other indicator lights show Cycle, Modifiers, Options, and Cycle Signal settings selected. The display shows the estimated or actual time remaining.

Cycles

Select the drying cycle that matches the type of load you are drying. See the Automatic, Steam, or Timed Preset Cycle Settings Charts.



Automatic Cycles

Automatic Cycles allow you to match the cycle to the load you are drying. See the following Automatic Preset Cycle Settings chart. Each cycle dries certain fabrics at the recommended temperature. A sensor detects the moisture in the load and automatically adjusts the drying time for optimal drying.

Heavy Duty

Use this cycle to get high heat for heavyweight mixed loads, cottons, and jeans.

Normal

Use this cycle to get medium heat for drying sturdy fabrics such as work clothes.

Casual

Use this cycle to get low heat for drying no-iron fabrics, such as sport shirts, casual business, clothes, and permanent press blends.

Delicate

Use this cycle to get extra-low heat to gently dry items such as lingerie, blouses, or washable knit fabrics.

Automatic Preset Cycle Settings

Automatic Cycles Load Type	Temperature
HEAVY DUTY Heavyweight mixed loads, cottons, jeans	High
NORMAL Corduroys, work clothes	Medium
CASUAL Business casual clothes, permanent press, synthetics	Low
DELICATE Lingerie, blouses, washable knit fabrics	Extra-Low

Steam Cycles

Use Steam Cycles to help smooth out wrinkles from dry items, such as clothes that have been worn or clothes that have been left in the dryer too long. When a Steam Cycle is selected, the estimated time remaining display shows the actual time remaining in the cycle.

NOTE: Results may vary depending on fabric. 100% cotton garments with wrinkle-free finish may yield better results than those without.

Use of a fabric softener sheet is not recommended with steam cycles as it may cause temporary staining on the clothes.

Quick Refresh

This cycle is best for smoothing out wrinkles and reducing odors from loads consisting of one to four dry items of wrinkle-free cotton, cotton-polyester blend, common knits, and synthetic garments. In this cycle a small amount of water is sprayed into the dryer drum after several minutes of tumbling with heat. The dryer will continue to tumble with heat followed by a brief cool down. The heat level and cycle time are not adjustable.

Enhanced Touch Up

This cycle is best for touching up clothes that have been left in the dryer too long. In this cycle, a small amount of water is sprayed into the dryer drum after several minutes of tumbling with heat. The dryer will continue to tumble with heat followed by a brief cool down. The dry time and temperature can be adjusted for this cycle.

NOTE: Overloading the dryer may not yield the same results.

Steam Preset Cycle Settings

Timed Cycles Load Type	Default Temperature*	Default Time (Minutes)*
QUICK REFRESH Helps to smooth out wrinkles and reduce odors from loads consisting of one to four dry items.	Medium	15
ENHANCED TOUCH UP Helps to smooth out wrinkles in loads left in the dryer for an extended period.	Medium	20

*Temperature and Time Adjust are selectable only for the Enhanced Touch Up Cycle.

NOTE: The Enhanced Touch Up cycle has a minimum dry time of 15 minutes and a maximum dry time of 40 minutes. Only the Medium and High temperature settings can be used for the Enhanced Touch Up cycle.

Timed Cycles

Use Timed Cycles to select a specific amount of drying time and a drying temperature. When a Timed Cycle is selected, the Estimated Time Remaining display shows the actual time remaining in your cycle. You can change the actual time in the cycle by pressing the Time Adjust up or down arrows. See “Changing Cycles, Modifiers, and Options.”

NOTE: Timed Cycles may also be used with the drying rack. See “Drying Rack.”

Timed Dry

Use this cycle to complete drying if items are still damp after an Automatic Cycle. Timed Dry is also useful for drying heavyweight and bulky items, such as bedspreads and work clothes. Lightweight garments, such as exercise wear, can be dried using Timed Dry on a low temperature setting.

Timed Preset Cycle Settings

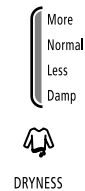
Timed Cycle Load Type	Default Temperature	Default Time (Minutes)
TIMED DRY Heavyweight, bulky items, work clothes	High	40

Modifiers

Automatic Cycle Modifiers

Use the Dryness Modifier to select dryness levels for the Auto Dry Cycles. Press DRYNESS until the desired Dryness setting illuminates.

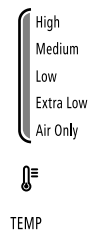
The preset dryness setting is Normal when an Automatic Cycle is selected. You can select a different dryness level, depending on your load, by pressing Dryness and choosing More, Normal, Less, or Damp. Selecting More, Normal, Less, or Damp automatically adjusts the dryness level at which the dryer will shut off. Once a dryness level is set, it cannot be changed without stopping the cycle.



NOTE: Dryness Level selections cannot be used with the Timed Cycles.

Timed Cycle Modifiers

Use the Temperature Modifier to select temperatures for the Timed Cycles. Press TEMP until the desired temperature setting illuminates.



NOTE: Temperature modifiers cannot be used with the Auto Dry Cycles.

Air Only

Use the Air Only Modifier for items that require drying without heat such as rubber, plastic, and heat-sensitive fabrics. This table shows examples of items that can be dried using Air Only.

Type of Load	Time* (Minutes)
Foam rubber - pillows, padded bras, stuffed toys	20 - 30
Plastic - Shower curtains, tablecloths	20 - 30
Rubber-backed rugs	40 - 50
Olefin, polypropylene, sheer nylon	10 - 20

*Reset cycle to complete drying, if needed.

When using Air Only

- Check that coverings are securely stitched.
- Shake and fluff pillows by hand periodically during the cycle.
- Dry item completely. Foam rubber pillows are slow to dry.

NOTE: Air Only is not available with Automatic Cycles.

Options

You can customize your cycles by selecting options.



Drum Light

On some models, select Drum Light to turn on the light inside the dryer drum. During a cycle, if Drum Light is selected, the drum light turns on and will remain on until DRUM LIGHT is pressed again, the door is opened and closed, or the door is left open for 5 minutes.

When the dryer is not running, the drum light will turn on when DRUM LIGHT is pressed or the dryer door is opened, and it will remain on until the dryer door has been open for 5 minutes, the dryer door is closed or DRUM LIGHT is pressed again.

Press DRUM LIGHT at any time to turn the drum light ON or OFF.

WRINKLE SHIELD™ Setting

The WRINKLE SHIELD™ setting helps keep wrinkles from forming when you cannot unload the dryer promptly at the end of a cycle. During this option, the dryer stops tumbling and then tumbles again for a brief period.

- Press the WRINKLE SHIELD™ setting to get up to 120 minutes of heat-free, periodic tumbling at the end of a cycle.
- Stop the WRINKLE SHIELD™ setting at any time by pressing WRINKLE SHIELD™ setting or opening the dryer door.
- For the Perm Press/Casual Cycle, the WRINKLE SHIELD™ setting is preset to ON. The other Automatic Cycles will retain the WRINKLE SHIELD™ setting. For example, if you select the WRINKLE SHIELD™ setting in the Normal cycle, the WRINKLE SHIELD™ setting will be on the next time you select the Normal cycle.

NOTE: If you do not select the WRINKLE SHIELD™ setting, the dryer stops after cool down.

Damp Dry Signal

Select the Damp Dry Signal to alert you that your clothes are approximately 80% dry. This is useful when you want to remove lightweight items in a mixed load to avoid overdrying or remove partially dry items that may need ironing.

The Damp Dry Signal is useful when drying bedsheets/linens in a mixed load. When the signal goes off, open the door to stop the dryer, rearrange the load inside the dryer, close the door, and restart the dryer to finish the drying cycle. Rearranging the load will aid in the drying process.

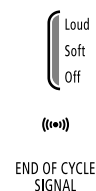
NOTE: The Damp Dry Signal is available only with the Automatic Cycles.

End of Cycle Signal

End of Cycle Signal

The End of Cycle Signal produces an audible sound when the drying cycle is finished. Promptly removing clothes at the end of the cycle reduces wrinkling.

Press END OF CYCLE SIGNAL until the desired volume (Loud, Soft, or Off) is selected.



NOTE: When the WRINKLE SHIELD™ setting is selected and the End of Cycle Signal is on, a tone sounds every 5 minutes until the clothes are removed, or the WRINKLE SHIELD™ setting ends.

Changing Cycles, Modifiers, and Options

You can change Automatic and Timed Cycles, Modifiers, and Options anytime before pressing Start.

- Three short tones sound if an unavailable combination is selected. The last selection will not be accepted.

Changing Cycles after pressing Start

1. Press PAUSE/CANCEL twice.
2. Select the desired cycle and options.
3. Press START. The dryer starts at the beginning of the new cycle.

NOTE: If you do not press Start within 5 minutes of selecting the cycle, the dryer automatically shuts off.

Changing Modifiers and Options after pressing Start

You can change an Option or Modifier anytime before the selected Option or Modifier begins.

1. Press PAUSE/CANCEL once.
2. Select the new Option and/or Modifiers.
3. Press START to continue the cycle.

NOTE: If you happen to press PAUSE/CANCEL twice, the program clears and your dryer shuts down. Restart the selection process.

Changing the Preset Dryness Level Settings

If all of your loads on all Auto Dry cycles are consistently not as dry as you would like, you may change the preset Dryness Level settings to increase the dryness. This change will affect all of your Auto Dry cycles.

Your Dryness Level settings can be adjusted to adapt to different installations, environmental conditions, or personal preference. There are 3 drying settings: 1 (factory preset dryness level), 2 (slightly dryer clothes, approximately 15% more drying time), and 3 (much dryer clothes, approximately 30% more drying time).

1. The Dryness Level settings cannot be changed while the dryer is running.
2. Press and hold the DRYNESS button for 5 seconds. The dryer will beep, and "CF" will be displayed for 1 second followed by the current drying setting.
3. To select a new drying setting, press the DRYNESS button again until the desired drying setting is shown.
NOTE: While cycling through the settings, the current setting will not flash, but the other settings will flash.
4. Press START to save the drying setting.
5. The drying setting you selected will become your new preset drying setting for all Auto Dry cycles.

Drying Rack Option

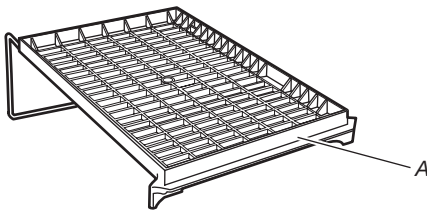
Use the Drying Rack to dry items such as sweaters and pillows without tumbling. The drum turns, but the drying rack does not move.

If your model does not have a drying rack, you may be able to purchase one for your model. To find out whether your model allows drying rack usage and for information on ordering, please refer to the front page of the manual or contact the dealer from whom you purchased your dryer.

NOTE: The drying rack must be removed for normal tumbling. Do not use the automatic cycle with the drying rack.

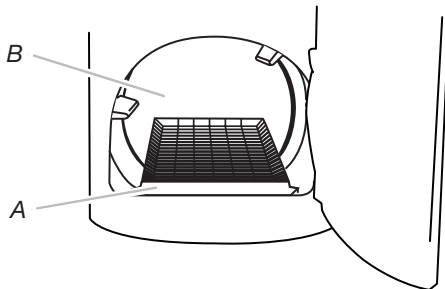
To use the drying rack

1. Open dryer door.



A. Front edge

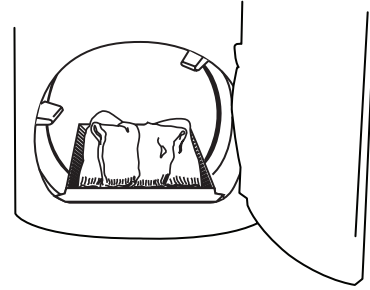
2. Place drying rack inside dryer drum, positioning the back wire on the edge of the inner dryer back panel. Push down on front edge of drying rack to secure at the front of the dryer.



A. Drying rack front edge
B. Dryer back panel

3. Put the wet items on top of the drying rack. Leave space between the items so air can reach all the surfaces.

NOTE: Do not allow items to hang over the edge of the drying rack.



4. Close the door.
5. Press the POWER button.
6. Select Timed Dry Cycle and select a temperature (see following chart). Items containing foam, rubber, or plastic must be dried on a clothesline or by using the Air Only temperature setting.
7. You must select a time by pressing TIME ADJUST Up or Down. Reset time as needed to complete drying. Refer to the following table.
8. Press (and hold) START button (about 1 second).

This chart shows examples of items that can be rack dried and the suggested cycle, temperature setting, and drying time. Actual drying time will depend on the amount of moisture items hold.

Rack Dry	Setting	Temp.	Time*
Wool Sweaters Block to shape and lay flat on the drying rack.	Timed Dry	Low	60
Stuffed toys or pillows Cotton or polyester fiber filled	Timed Dry	Low	60
Stuffed toys or pillows Foam rubber filled	Timed Dry	Air Only (no heat)	90
Sneakers or canvas shoes	Timed Dry	Air Only (no heat)	90

*(Minutes) Reset time to complete drying, if needed.

DRYER CARE

Cleaning the Dryer Location

Keep dryer area clear and free from items that would obstruct the flow of combustion and ventilation air.

! WARNING



Explosion Hazard

Keep flammable materials and vapors, such as gasoline, away from dryer.

Place dryer at least 18 inches (460 mm) above the floor for a garage installation.

Failure to do so can result in death, explosion, or fire.

Cleaning the Lint Screen

Clean the lint screen before each load. A screen blocked by lint can increase drying time.

IMPORTANT:

- Do not run the dryer with the lint screen loose, damaged, blocked, or missing. Doing so can cause overheating and damage to both the dryer and fabrics.
- If lint falls off the screen into the dryer during removal, check the exhaust hood and remove the lint.

Every load cleaning

1. The lint screen is located on the top of the dryer. Pull the lint screen toward you. Roll lint off the screen with your fingers. Do not rinse or wash screen to remove lint. Wet lint is hard to remove.



2. Push the lint screen firmly back into place.

As needed cleaning

1. Roll lint off screen with your fingers.
2. Wet both sides of lint screen with hot water.
3. Wet a nylon brush with hot water and liquid detergent. Scrub lint screen with the brush to remove residue buildup.
4. Rinse screen with hot water.
5. Thoroughly dry lint screen with a clean towel. Insert lint screen back into dryer.

Cleaning the Dryer Interior

1. Apply a liquid, nonflammable household cleaner to the stained area of the drum and rub with a soft cloth until stain is removed.
2. Wipe drum thoroughly with a damp cloth.
3. Tumble a load of clean cloths or towels to dry the drum.

NOTE: Garments that contain unstable dyes, such as denim blue jeans or brightly colored cotton items, may discolor the dryer interior. These stains are not harmful to your dryer and will not stain future loads of clothes. Dry unstable dye items inside out to avoid transfer of dye.

Removing Accumulated Lint

From Inside the Dryer Cabinet

Lint should be removed every 2 years, or more often, depending on dryer usage. Cleaning should be done by a qualified person.

From the Exhaust Vent

Lint should be removed every 2 years, or more often, depending on dryer usage.

Water Inlet Hoses

Replace inlet hoses after 5 years of use to reduce the risk of hose failure. Periodically inspect and replace inlet hoses if bulges, kinks, cuts, wear, or leaks are found.

When replacing your inlet hoses, record the date of replacement.

Vacation, Storage, and Moving Care

Install and store your dryer where it will not freeze. Because some water may stay in the hoses, freezing can damage your dryer. If storing or moving your dryer during freezing weather, winterize it.

Non-Use or Vacation Care

Operate your dryer only when you are at home. If you will be on vacation or not using your dryer for an extended period of time you should:

1. Unplug dryer and disconnect power.
2. Close shutoff valve in gas supply line.
3. Clean lint screen. See "Cleaning the Lint Screen."
4. Turn off the water supply to the dryer. This helps to avoid unintended flooding (due to a water pressure surge) while you are away.

To winterize dryer

1. Unplug dryer or disconnect power.
2. Shut off water faucet.
3. Close shutoff valve in gas supply line.
4. Disconnect water inlet hose from faucet and drain.

To use dryer again

1. Flush water pipes. Reconnect water inlet hose to faucet. Turn on water faucet.
2. Plug in dryer or reconnect power.
3. Open valve to gas supply line.

Moving care

1. Unplug the power supply cord.
2. Shut off water faucet.
3. Disconnect the water inlet hose from faucet, then drain the hose. Transport hose separately.
4. Close shutoff valve in gas supply line.
5. Disconnect gas supply line pipe and remove fittings attached to dryer pipe.
6. Cap the open fuel supply line.
7. Make sure leveling legs are secure in dryer base.
8. Use masking tape to secure dryer door.

Reinstalling the dryer

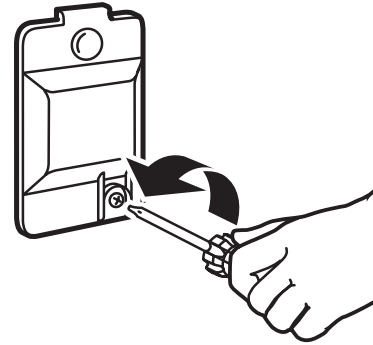
Follow the "Installation Instructions" to locate, level, and connect the dryer.

Changing the Drum Light

The dryer light automatically turns on inside the dryer drum when you open the door.

To change the drum light

1. Unplug dryer or disconnect power.
2. Open the dryer door. Locate the light bulb cover on the back wall of the dryer. Remove the screw located in the lower right corner of the cover. Remove the cover.



3. Turn bulb counterclockwise. Replace the bulb with a 10-watt appliance bulb only. Replace the cover and secure with the screw.
4. Plug in dryer or reconnect power.

TROUBLESHOOTING

First try the solutions suggested here or visit our website and reference FAQs (Frequently Asked Questions) to possibly avoid the cost of a service call...

In U.S.A. www.whirlpool.com/help - In Canada www.whirlpool.ca

Dryer Operation

Dryer will not run

- **Has a household fuse blown, or circuit breaker tripped?**
Replace the fuse or reset the circuit breaker. If the problem continues, call an electrician.
- **Was a regular fuse used?**
Use a time-delay fuse.
- **Is the dryer door firmly closed?**
- **Was the Start button firmly pressed?**
Large loads may require pressing and holding the Start button for 2-5 seconds.

No heat

- **Has a household fuse blown, or has a circuit breaker tripped?**
The drum may be turning, but you may not have heat. Replace the fuse or reset the circuit breaker. If the problem continues, call an electrician.
- **Is the valve open on the gas supply line?**

Unusual sounds

- **Has the dryer had a period of non-use?**
If the dryer hasn't been used for a while, there may be a thumping sound during the first few minutes of operation.

- **Is a coin, button, or paper clip caught between the drum and front or rear of the dryer?**
Check the front and rear edges of the drum for small objects. Clean out pockets before laundering.
- **Is it a gas dryer?**
The gas valve clicking is a normal operating sound.
- **Are the four legs installed, and is the dryer level front to back and side to side?**
The dryer may vibrate if not properly installed. See the Installation Instructions.
- **Is the clothing knotted or balled up?**
When balled up, the load will bounce, causing the dryer to vibrate. Separate the load items and restart the dryer.

Dryer displaying code message

- **"PF" (power failure), check the following:**
Was the drying cycle interrupted by a power failure? Press and hold START to restart the dryer.
- **"F" Variable (F1, F2, F20, etc.) service codes:**
Call for service.

Dryer Results

Clothes are not drying satisfactorily, drying times are too long, or load is too hot

- **Is the lint screen clogged with lint?**
Lint screen should be cleaned before each load.

WARNING



Fire Hazard

- Use a heavy metal vent.**
- Do not use a plastic vent.**
- Do not use a metal foil vent.**
- Failure to follow these instructions can result in death or fire.**

- **Is the exhaust vent or outside exhaust hood clogged with lint, restricting air movement?**
Run the dryer for 5-10 minutes. Hold your hand under the outside exhaust hood to check air movement. If you do not feel air movement, clean exhaust system of lint or replace exhaust vent with heavy metal or flexible metal vent. See the Installation Instructions.
- **Are fabric softener sheets blocking the grille?**
Use only one fabric softener sheet, and use it only once.
- **Is the exhaust vent the correct length?**
Check that the exhaust vent is not too long or has too many turns. Long venting will increase drying times. See the Installation Instructions.
- **Is the exhaust vent diameter the correct size?**
Use 4" (102 mm) diameter vent material.

WARNING



Explosion Hazard

- Keep flammable materials and vapors, such as gasoline, away from dryer.**
- Place dryer at least 18 inches (460 mm) above the floor for a garage installation.**
- Failure to do so can result in death, explosion, or fire.**

- **Is the dryer located in a room with temperature below 45°F (7°C)?**
Proper operation of dryer cycles requires temperatures above 45°F (7°C).

- **Is the dryer located in a closet?**
Closet doors must have ventilation openings at the top and bottom of the door. The rear of the dryer requires 5½" (140 mm) of airspace, and the sides and front of the dryer require a minimum of 1" (25 mm). See the Installation Instructions.
- **Has the Air Only modifier been selected?**
Select the right temperature for the types of garments being dried. See "Modifiers."
- **Is the load too large and heavy to dry quickly?**
Separate the load to tumble freely.
- **Are clothes coming out of the Quick Refresh cycle with damp or wet spots?**
Under certain environmental or installation conditions you may experience underdrying. Select the Timed Dry cycle (20 min. default time), which can be customized by choosing temperature by pressing TEMP and/or cycle time by pressing the Time Adjust up or down buttons.

Cycle time too short

WARNING

Excessive Weight Hazard

- Use two or more people to move and install dryer.**
- Failure to do so can result in back or other injury.**

- **Is the automatic cycle ending early?**
The load may not be contacting the sensor strips. Level the dryer.

Change the dryness level setting on Automatic Cycles. Increasing or decreasing the dryness level will change the amount of drying time in a cycle.

Lint on load

- **Is the lint screen clogged?**
Clean lint screen. Check for air movement.

Stains on load or drum

- **Was dryer fabric softener properly used?**
Add dryer fabric softener sheets at the beginning of the cycle. Fabric softener sheets added to a partially dried load can stain your garments. Do not use fabric softener sheets in the Enhanced Touch Up or Quick Refresh Steam cycles.

Drum stains are caused by dyes in clothing (usually blue jeans). This will not transfer to other clothing.

Loads are wrinkled

- **Was the load removed from dryer at the end of the cycle?**
Select Enhanced Touch Up Cycle to tumble the load with water and heat to help smooth out wrinkles from a load left in the dryer.
- **Was the dryer overloaded?**
Dry smaller loads that can tumble freely. Smaller loads of one to four garments yield best results with Quick Refresh Cycle. Results may also vary depending on fabric type. This cycle is best for reducing wrinkles and odors from loads consisting of wrinkle-free cotton, cotton polyester blends, common knits, and synthetics.

- **Loads are still wrinkled following SteamCare cycle?**
Make sure water is connected to the dryer. Check that water inlet hose is connected to both the faucet and dryer's water inlet valve. Check that the water supply is turned on. This cycle is best for smoothing out wrinkles and reducing odors from loads consisting of wrinkle-free cotton, cotton polyester blends, common knits, and synthetic garments.

NOTE: Refer to garment care label instructions. Dry clean only garments are not recommended.

Odors

- **Have you recently been painting, staining, or varnishing in the area where your dryer is located?**
If so, ventilate the area. When the odors or fumes are gone from the area, rewash and dry the clothing.
- **Is water connected to the dryer?**
Check that water inlet hose is connected to both the faucet and dryer's water inlet valve. Check that the water supply is turned on.
- To remove odors left in garments after wearing, select Quick Refresh Cycle for small loads of one to four garments. This cycle is best for reducing odors from loads consisting of wrinkle-free cotton, cotton polyester blends, common knits, and synthetics.

ASSISTANCE OR SERVICE

Before calling for assistance or service, please check "Troubleshooting." It may save you the cost of a service call. If you still need help, follow the instructions below.

When calling, please know the purchase date and the complete model and serial number of your appliance. This information will help us to better respond to your request.

If you need replacement parts

If you need to order replacement parts, we recommend that you only use FSP® factory specified parts. These parts will fit right and work right because they are made with the same precision used to build every new WHIRLPOOL® appliance.

To locate FSP® replacement parts in your area:

In the U.S.A., call the Customer eXperience Center at **1-800-253-1301**, or your nearest designated service center.

In Canada, call **1-800-807-6777**, or your nearest designated service center.

In the U.S.A.

Call the Whirlpool Customer eXperience Center toll free: **1-800-253-1301** or visit us at www.whirlpool.com.

Our consultants provide assistance with:

- Features and specifications on our full line of appliances.
- Installation information.
- Use and maintenance procedures.
- Accessory and repair parts sales.
- Specialized customer assistance (Spanish speaking, hearing impaired, limited vision, etc.).
- Referrals to local dealers, repair parts distributors, and service companies. Whirlpool designated service technicians are trained to fulfill the product warranty and provide after-warranty service, anywhere in the United States.

To locate the Whirlpool designated service company in your area, you can also look in your telephone directory Yellow Pages.

For further assistance

If you need further assistance, you can write to Whirlpool Corporation with any questions or concerns at:

Whirlpool Brand Home Appliances
Customer eXperience Center
553 Benson Road
Benton Harbor, MI 49022-2692

Please include a daytime phone number in your correspondence.

Accessories U.S.A.

To order accessories, call the Whirlpool Customer eXperience Center toll free at **1-800-901-2042** and follow the menu prompts. Or visit our website at www.whirlpool.com/accessories.

In Canada

Call the Whirlpool Canada LP Customer eXperience Centre toll free: **1-800-807-6777** or visit us at www.whirlpool.ca.

Our consultants provide assistance with:

- Use and maintenance procedures
- Accessory and repair parts sales
- Features and specifications on our full line of appliances
- Referrals to local dealers, repair parts distributors, and service companies. Whirlpool Canada LP designated service technicians are trained to fulfill the product warranty and provide after-warranty service anywhere in Canada.

For further assistance

If you need further assistance, you can write to Whirlpool Canada LP with any questions or concerns at:

Customer eXperience Centre
Whirlpool Canada LP
1901 Minnesota Court
Mississauga, Ontario L5N 3A7

Please include a daytime phone number in your correspondence.

ACCESSORIES

Enhance your dryer with these premium accessories.

For more high-quality items or to order, call **1-800-901-2042**, or visit us at www.whirlpool.com/accessories. In Canada call **1-800-807-6777**, or visit us at www.whirlpoolparts.ca.

Part Number	Accessory
20-48KITRC	4 ft (1.2 m) gas line dryer connector installation kit
PT220L	4 ft (1.2 m) dryer cord, 3-wire, 30 amp
PT400L	4 ft (1.2 m) dryer cord, 4-wire, 30 amp
PT600L	6 ft (1.8 m) dryer cord, 4-wire, 30 amp
8212614	Dryer vent lint brush
31682	All-purpose appliance cleaner
1903WH	Laundry supply storage cart
49572	LP Gas conversion kit
W10071550A	Drying rack
W10044609A	Steam hose kit

WHIRLPOOL CORPORATION LAUNDRY WARRANTY

LIMITED WARRANTY

For one year from the date of purchase, when this major appliance is operated and maintained according to instructions attached to or furnished with the product, Whirlpool Corporation or Whirlpool Canada LP (hereafter "Whirlpool") will pay for Factory Specified Parts and repair labor to correct defects in materials or workmanship that existed when this major appliance was purchased. Service must be provided by a Whirlpool designated service company. YOUR SOLE AND EXCLUSIVE REMEDY UNDER THIS LIMITED WARRANTY SHALL BE PRODUCT REPAIR AS PROVIDED HEREIN. This limited warranty is valid only in the United States or Canada and applies only when the major appliance is used in the country in which it was purchased. Proof of original purchase date is required to obtain service under this limited warranty.

ITEMS EXCLUDED FROM WARRANTY

This limited warranty does not cover:

1. Replacement parts or repair labor if this major appliance is used for other than normal, single-family household use or when it is used in a manner that is inconsistent to published user or operator instructions and/or installation instructions.
 2. Service calls to correct the installation of your major appliance, to instruct you on how to use your major appliance, to replace or repair house fuses, or to correct house wiring or plumbing.
 3. Service calls to repair or replace appliance light bulbs, air filters or water filters. Consumable parts are excluded from warranty coverage.
 4. Damage resulting from accident, alteration, misuse, abuse, fire, flood, acts of God, improper installation, installation not in accordance with electrical or plumbing codes, or use of products not approved by Whirlpool.
 5. Cosmetic damage, including scratches, dents, chips or other damage to the finish of your major appliance, unless such damage results from defects in materials or workmanship and is reported to Whirlpool within 30 days from the date of purchase.
 6. Pick up and delivery. This major appliance is intended to be repaired in your home.
 7. Repairs to parts or systems resulting from unauthorized modifications made to the appliance.
 8. Expenses for travel and transportation for product service if your major appliance is located in a remote area where service by an authorized Whirlpool servicer is not available.
 9. The removal and reinstallation of your major appliance if it is installed in an inaccessible location or is not installed in accordance with Whirlpool's published installation instructions.
 10. Replacement parts or repair labor on major appliances with original model/serial numbers that have been removed, altered, or cannot be easily determined.
-

DISCLAIMER OF IMPLIED WARRANTIES

IMPLIED WARRANTIES, INCLUDING ANY IMPLIED WARRANTY OF MERCHANTABILITY OR IMPLIED WARRANTY OF FITNESS FOR A PARTICULAR PURPOSE, ARE LIMITED TO ONE YEAR OR THE SHORTEST PERIOD ALLOWED BY LAW. Some states and provinces do not allow limitations on the duration of implied warranties of merchantability or fitness, so this limitation may not apply to you. This warranty gives you specific legal rights, and you also may have other rights that vary from state to state or province to province.

LIMITATION OF REMEDIES; EXCLUSION OF INCIDENTAL AND CONSEQUENTIAL DAMAGES

YOUR SOLE AND EXCLUSIVE REMEDY UNDER THIS LIMITED WARRANTY SHALL BE PRODUCT REPAIR AS PROVIDED HEREIN. WHIRLPOOL SHALL NOT BE LIABLE FOR INCIDENTAL OR CONSEQUENTIAL DAMAGES. Some states and provinces do not allow the exclusion or limitation of incidental or consequential damages, so these limitations and exclusions may not apply to you. This warranty gives you specific legal rights, and you also may have other rights that vary from state to state or province to province.

If outside the 50 United States and Canada, contact your authorized Whirlpool dealer to determine if another warranty applies.

If you think you need repair service, first see the "Troubleshooting" section of the Use & Care Guide. If you are unable to resolve the problem after checking "Troubleshooting," additional help can be found by checking the "Assistance or Service" section or by calling Whirlpool. In the U.S.A., call **1-800-253-1301**. In Canada, call **1-800-807-6777**. 7/08

Keep this book and your sales slip together for future reference. You must provide proof of purchase or installation date for in-warranty service.

Write down the following information about your major appliance to better help you obtain assistance or service if you ever need it. You will need to know your complete model number and serial number. You can find this information on the model and serial number label located on the product.

Dealer name _____
Address _____
Phone number _____
Model number _____
Serial number _____
Purchase date _____

SÉCURITÉ DE LA SÈCHEUSE

Votre sécurité et celle des autres est très importante.

Nous donnons de nombreux messages de sécurité importants dans ce manuel et sur votre appareil ménager. Assurez-vous de toujours lire tous les messages de sécurité et de vous y conformer.



Voici le symbole d'alerte de sécurité.

Ce symbole d'alerte de sécurité vous signale les dangers potentiels de décès et de blessures graves à vous et à d'autres.

Tous les messages de sécurité suivront le symbole d'alerte de sécurité et le mot "DANGER" ou "AVERTISSEMENT". Ces mots signifient :

 **DANGER**

Risque possible de décès ou de blessure grave si vous ne suivez pas immédiatement les instructions.

 **AVERTISSEMENT**

Risque possible de décès ou de blessure grave si vous ne suivez pas les instructions.

Tous les messages de sécurité vous diront quel est le danger potentiel et vous disent comment réduire le risque de blessure et ce qui peut se produire en cas de non-respect des instructions.



AVERTISSEMENT - "Risque d'incendie"

- L'installation de la sècheuse à linge doit être effectuée par un installateur qualifié.
- Installer la sècheuse conformément aux instructions du fabricant et aux codes locaux.
- Ne pas installer de sècheuse à linge avec des matériaux d'évacuation en plastique souple. Si un conduit métallique souple (de type papier d'aluminium) est installé, celui-ci doit être d'un type spécifique identifié par le fabricant de l'appareil et convenir à une utilisation avec les sècheuses à linge. Les matériaux d'évacuation souples sont connus pour s'affaisser, être facilement écrasés et bloquer la charpie. Ces situations obstrueront le débit d'air de la sècheuse à linge et augmenteront le risque d'incendie.
- Pour réduire le risque de blessure grave ou de décès, suivre toutes les instructions d'installation.
- Conserver ces instructions.

IMPORTANTES INSTRUCTIONS DE SÉCURITÉ

AVERTISSEMENT : Pour réduire le risque d'incendie, de choc électrique ou de blessure lors de l'utilisation de la sècheuse, il convient d'observer certaines précautions élémentaires dont les suivantes :

- Lire toutes les instructions avant d'utiliser la sècheuse.
- Ne pas placer des articles exposés aux huiles de cuisson dans votre sècheuse. Les articles contaminés par des huiles de cuisson peuvent contribuer à une réaction chimique qui pourrait causer à la charge de s'enflammer.
- Ne pas faire sécher dans la machine des articles qui ont déjà été nettoyés, lavés, imbibés, ou tachés d'essence, de solvants pour nettoyage à sec, d'autres substances inflammables, ou de substances explosives puisqu'elles dégagent des vapeurs qui peuvent provoquer un incendie ou une explosion.
- Ne pas permettre à des enfants de jouer sur ou à l'intérieur de la sècheuse. Une surveillance étroite est nécessaire lorsque la sècheuse est utilisée près d'eux.
- Avant d'enlever la sècheuse du service ou la jeter, enlever la porte du compartiment de séchage.
- Ne pas mettre la main dans la sècheuse si le tambour est en mouvement.
- Ne pas installer ni entreposer la sècheuse où elle sera exposée aux intempéries.
- Ne pas jouer avec les commandes.
- Ne pas réparer ni remplacer une pièce de la sècheuse ou essayer d'en faire l'entretien à moins d'une recommandation spécifique dans le guide d'utilisation et d'entretien, ou publiée dans les instructions de réparation par l'utilisateur que vous comprenez et pouvez exécuter avec compétence.
- Ne pas utiliser un produit assouplissant de tissu ou des produits pour éliminer la statique à moins qu'ils ne soient recommandés par le fabricant du produit assouplissant de tissu ou du produit.
- Ne pas utiliser la chaleur pour faire sécher des articles fabriqués avec du caoutchouc mousse ou des matériaux semblables.
- Nettoyer le filtre à charpie avant et après chaque charge.
- Ne pas laisser la charpie, la poussière, ou la saleté s'accumuler autour du système d'évacuation ou autour de l'appareil.
- Un nettoyage périodique de l'intérieur de la sècheuse et du conduit d'évacuation doit être effectué par une personne qualifiée.
- Voir les instructions d'installation pour les exigences de liaison de l'appareil à la terre.

CONSERVEZ CES INSTRUCTIONS

IMPORTANT : L'installation du gaz doit se conformer aux codes locaux, ou en l'absence de codes locaux, au National Fuel Gas Code, ANSI Z223.1/NFPA 54.

La sècheuse doit être électriquement reliée à la terre conformément aux codes locaux, ou en l'absence de codes locaux, au Code canadien de l'électricité, ANSI/NFPA 70.

AVERTISSEMENT : Pour votre sécurité, les renseignements dans ce manuel doivent être observés pour réduire au minimum les risques d'incendie ou d'explosion ou pour éviter des dommages au produit, des blessures ou un décès.

- Ne pas entreposer ou utiliser de l'essence ou d'autres vapeurs ou liquides inflammables à proximité de cet appareil ou de tout autre appareil électroménager.
- **QUE FAIRE DANS LE CAS D'UNE ODEUR DE GAZ :**
 - Ne pas tenter d'allumer un appareil.
 - Ne pas toucher à un commutateur électrique; ne pas utiliser le téléphone se trouvant sur les lieux.
 - Évacuer tous les gens de la pièce, de l'édifice ou du quartier.
 - Appeler immédiatement le fournisseur de gaz du téléphone d'un voisin. Suivre ses instructions.
 - À défaut de joindre votre fournisseur de gaz, appeler les pompiers.
- L'installation et l'entretien doivent être effectués par un installateur qualifié, une agence de service ou le fournisseur de gaz.

AVERTISSEMENT : L'odorat ne permet pas toujours la détection d'une fuite de gaz.

Les distributeurs de gaz recommandent l'emploi d'un détecteur de gaz (homologation UL ou CSA).

Pour d'autre information, contacter le fournisseur de gaz local.

En cas de détection d'une fuite de gaz, exécuter les instructions "Que faire dans le cas d'une odeur de gaz".

Dans l'État du Massachusetts, les instructions d'installation suivantes sont applicables :

- Les travaux d'installation et réparation doivent être exécutés par un plombier ou tuyauteur qualifié ou licencié, ou par le personnel qualifié d'une entreprise licenciée par l'État du Massachusetts.
- Si une vanne à boisseau sphérique est utilisée, elle doit comporter une manette "T".
- Si un conduit de raccordement flexible est utilisé, sa longueur ne doit pas dépasser 3 pi.

Avertissements de la proposition 65 de l'État de Californie :

AVERTISSEMENT : Ce produit contient un produit chimique connu par l'État de Californie pour être à l'origine de cancers.

AVERTISSEMENT : Ce produit contient un produit chimique connu par l'État de Californie pour être à l'origine de malformations et autres déficiences de naissance.

INSTRUCTIONS D'INSTALLATION

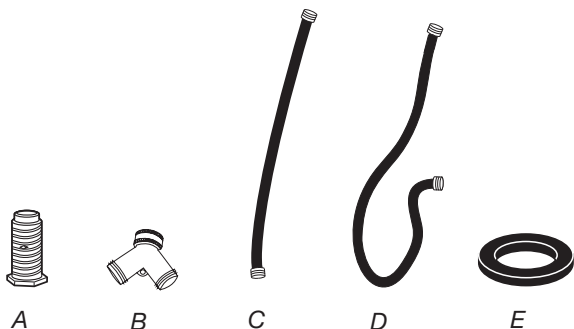
Outillage et pièces

Rassembler les outils et pièces nécessaires avant de commencer l'installation. Lire et suivre les instructions fournies avec les outils indiqués ici.

- Clé à tuyau de 8" ou 10"
- Clé à molette de 8" ou 10" (pour le raccordement au gaz)
- Tournevis à lame plate
- Clé à molette avec ouverture jusqu'à 1" (25 mm) ou clé à douille hexagonale (pour ajuster les pieds de la sècheuse)
- Niveau
- Tourne-écrou ou clé à douille de 1/4"
- Couteau
- Brides de serrage pour conduit d'évacuation
- Composé d'étanchéité des tuyauteries résistant au gaz de pétrole liquéfié
- Pistolet à calfeutrage et composé de calfeutrage (pour l'installation d'un nouveau circuit d'évacuation)
- Pince

Pièces fournies :

Retirer le sachet de pièces du tambour de la sècheuse. Vérifier que toutes les pièces de la liste sont présentes.



A. Pieds de nivellement (4)
B. Connecteur en Y
C. Tuyau d'alimentation court
D. Tuyau d'alimentation long
E. Rondelle de caoutchouc

Pièces nécessaires :

Consulter les codes locaux et le fournisseur de gaz, vérifier l'alimentation en gaz existante, l'alimentation électrique et le circuit d'évacuation, et lire les sections "Spécifications électriques", "Alimentation en gaz" et "Exigences concernant l'évacuation" avant d'acheter les pièces nécessaires.

Les installations pour maison mobile nécessitent des pièces particulières (voir liste ci-dessous) qui peuvent être commandées en appelant le marchand chez qui vous avez acheté votre sècheuse. Pour des informations sur la commande, veuillez vous référer à la section "Assistance ou service". Vous pouvez également contacter le marchand chez qui vous avez acheté votre sècheuse.

- Trousse d'installation pour maison mobile. Demander le numéro de pièce 346764.
- Système d'évacuation en métal.

Exigences d'emplacement

⚠ AVERTISSEMENT



Risque d'explosion

Garder les matières et les vapeurs inflammables, telle que l'essence, loin de la sècheuse.

Placer la sècheuse au moins 460 mm (18 po) au-dessus du plancher pour une installation dans un garage.

Le non-respect de ces instructions peut causer un décès, une explosion ou un incendie.

Il vous faudra

- Un emplacement permettant une évacuation appropriée. Voir "Exigences concernant l'évacuation".
- Un circuit séparé de 30 ampères.
- Une prise électrique avec liaison à la terre située à moins de 2 pi (610 mm) de l'un des côtés de la sècheuse. Voir "Spécifications électriques".
- Un plancher robuste capable de supporter un poids total (sècheuse et charge) de 200 lb (90,7 kg). Le poids combiné d'un appareil voisin doit également être pris en compte.
- Des robinets d'eau froide situés à 4 pi (1,2 m) de la sècheuse, et une pression d'eau de 20 à 100 lb/po² (138 à 690 kPa). Vous pouvez utiliser l'alimentation en eau froide pour votre laveuse en utilisant le connecteur en Y fourni (le cas échéant).
- 20-100 lb/po² (138-690 kPa) pour un rendement optimal.
- Un plancher horizontal avec une pente maximale de 1" (25 mm) sous l'ensemble de la sècheuse.

Ne pas faire fonctionner la sècheuse à des températures inférieures à 45°F (7°C). À des températures inférieures, la sècheuse risque de ne plus s'arrêter à la fin d'un programme automatique. Les temps de séchage risquent alors d'augmenter.

La sècheuse ne doit pas être installée ou remise dans un endroit où elle sera exposée à l'eau et/ou aux intempéries.

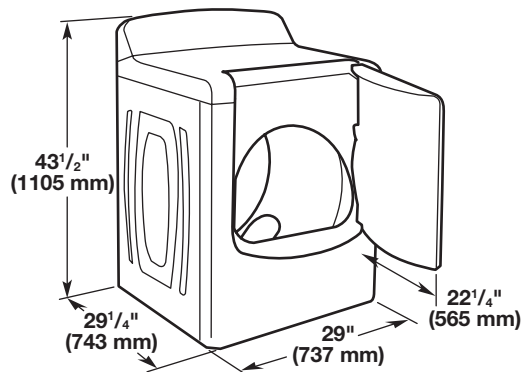
Vérifier les règlements locaux. Certains codes limitent ou n'autorisent pas l'installation des sècheuses dans un garage, un placard, une maison mobile ou une chambre à coucher. Communiquer avec l'inspecteur des bâtiments local.

REMARQUE : Aucun autre appareil consommant un combustible ne doit être installé dans le même placard.

Dégagements de séparation à respecter

L'emplacement doit être assez grand pour permettre d'ouvrir complètement la porte de la sècheuse.

Dimensions de la sècheuse

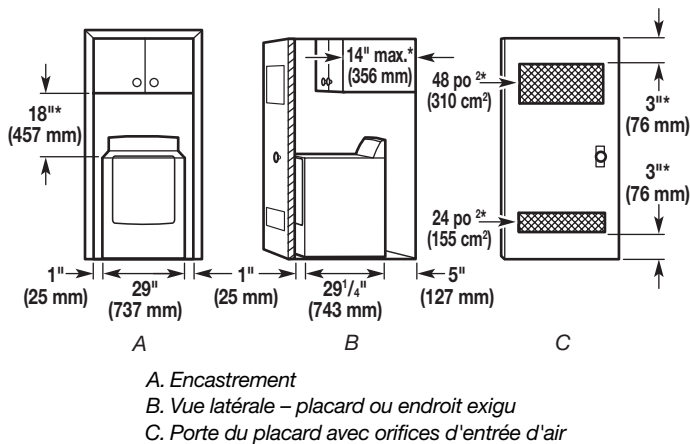


*La plupart des installations requièrent un espace minimum de 5" (127 mm) derrière la sècheuse pour le conduit d'évacuation avec coude. Voir "Exigences concernant l'évacuation".

Espacement minimum pour une installation dans un encastrement ou dans un placard

On recommande les dimensions d'espacement suivantes pour cette sècheuse. Cette sècheuse a été testée pour une installation avec dégagement de 0" (0 mm) sur les côtés et à l'arrière. L'espacement recommandé doit être considéré pour les raisons suivantes :

- On prévoira un peu plus d'espace pour faciliter l'installation et l'entretien.
- Un espace supplémentaire peut être requis pour les moulures de porte et de plancher et pour les plinthes.
- Un espace supplémentaire de tous les côtés de la sècheuse est recommandé pour réduire le transfert du bruit.
- Si une porte de placard est installée (pour une installation encastrée), on doit prévoir des orifices d'entrée d'air en haut et en bas de la porte. Les portes à claire-voie offrant une surface équivalente de passage de l'air sont acceptables.
- Il faut aussi prendre en compte l'espace requis entre les appareils voisins.
- Un espacement supplémentaire est requis si l'air est évacué à l'arrière de la sècheuse sur le côté gauche ou droit.



*Espacement requis

Exigences supplémentaires pour l'installation dans une maison mobile

Cette sècheuse convient aux installations pour maison mobile. L'installation doit satisfaire les critères de la Norme de construction et de sécurité des habitations préfabriquées, Titre 24 CFR, partie 3280 (anciennement Norme fédérale de construction et de sécurité des habitations préfabriquées, Titre 24 HUD, partie 280) ou de la Norme CAN/CSA-Z240 MH.

L'installation dans une maison mobile exige :

- Un système d'évacuation en métal qui peut être acheté chez votre marchand.
- Trousse d'installation pour maison mobile, pièce n° 346764. Voir la section "Outillage et pièces" pour des renseignements sur la commande.
- Il faut prendre des dispositions spéciales pour l'apport d'air de l'extérieur dans la sècheuse. L'ouverture (telle qu'une fenêtre à proximité) devrait être au moins deux fois plus grande que l'ouverture de décharge de la sècheuse.

Spécifications électriques

⚠ AVERTISSEMENT



Risque de choc électrique

Brancher sur une prise à 3 alvéoles reliée à la terre.

Ne pas enlever la broche de liaison à la terre.

Ne pas utiliser un adaptateur.

Ne pas utiliser un câble de rallonge.

Le non-respect de ces instructions peut causer un décès, un incendie ou un choc électrique.

- L'appareil doit être alimenté par un circuit de 120 V, CA seulement, 60 Hz, 15 ou 20 ampères, protégé par un fusible. On recommande l'emploi d'un fusible ou d'un disjoncteur temporisé. Il est recommandé de raccorder l'appareil sur un circuit distinct exclusif à cet appareil.

INSTRUCTIONS DE LIAISON À LA TERRE

- Pour une sècheuse reliée à la terre et connectée par un cordon :

Cette sècheuse doit être reliée à la terre. En cas de mauvais fonctionnement ou de panne, la liaison à la terre réduira le risque de choc électrique en offrant au courant électrique un acheminement d'évacuation de moindre résistance. Cette sècheuse est alimentée par un cordon électrique comportant un conducteur relié à la terre et une fiche de branchement munie d'une broche de liaison à la terre. La fiche doit être branchée sur une prise appropriée qui est bien installée et reliée à la terre conformément à tous les codes et règlements locaux.

AVERTISSEMENT : Le raccordement incorrect de cet appareil au conducteur de liaison à la terre peut susciter un risque de choc électrique. En cas de doute quant à la qualité de liaison à la terre de la sècheuse, consulter un électricien ou un technicien ou un personnel qualifié. Ne pas modifier la fiche de branchement fournie avec la sècheuse; si la fiche ne correspond pas à la configuration de la prise de courant, demander à un électricien qualifié d'installer une prise de courant appropriée.

CONSERVEZ CES INSTRUCTIONS

Alimentation en gaz

AVERTISSEMENT



Risque d'explosion

Utiliser une canalisation neuve d'arrivée de gaz approuvée par CSA International.

Installer un robinet d'arrêt.

Bien serrer chaque organe de connexion de la canalisation de gaz.

En cas de connexion au gaz propane, demander à une personne qualifiée de s'assurer que la pression de gaz ne dépasse pas 330 mm (13 po) de la colonne d'eau.

Par personne qualifiée, on comprend :

le personnel autorisé de chauffage,
le personnel autorisé d'une compagnie de gaz, et
le personnel d'entretien autorisé.

Le non-respect de ces instructions peut causer un décès, une explosion ou un incendie.

Type de gaz

Gaz naturel :

Cette sècheuse est équipée pour une alimentation au gaz naturel. Sa conception est homologuée par la CSA International pour l'alimentation au gaz de pétrole liquéfié (propane ou butane), avec conversion appropriée.

- Cette sècheuse doit être équipée du brûleur convenable, correspondant au gaz spécifique qui alimente l'habitation. L'information sur le brûleur se trouve sur la plaque signalétique dans le logement de la porte de la sècheuse. Si cette information ne correspond pas au type de gaz disponible, contacter votre marchand ou composer les numéros de téléphone indiqués sur la page de couverture de ce manuel.

Conversion au gaz de pétrole liquéfié :

Un technicien qualifié doit effectuer la conversion.

Ne pas entreprendre de convertir l'appareil pour l'utilisation d'un gaz différent de celui indiqué sur la plaque signalétique sans d'abord consulter le fournisseur de gaz. Pour des renseignements sur la commande d'un ensemble de conversion au gaz propane, se référer à la section "Assistance ou service". Demander la pièce n° 49572.

Canalisation d'arrivée de gaz

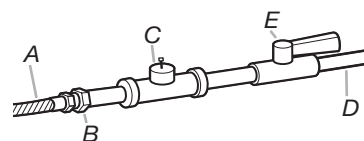
- La canalisation doit comprendre un connecteur obturé (filetage NPT de 1/8" ou plus) accessible pour le raccordement de l'instrument de mesure immédiatement en amont de la connexion d'alimentation en gaz de la sècheuse (voir l'illustration).
- Un tuyau IPS de 1/2" est recommandé.
- Pour les longueurs inférieures à 20 pi (6,1 m), on peut utiliser des tuyaux approuvés de 3/8" (aluminium ou cuivre) si les codes locaux et le fournisseur de gaz le permettent.
- Pour le gaz naturel, ne pas utiliser de conduits en cuivre.

- Adaptateur de 3/8" x tuyau NPT de 3/8" entre le conduit de la sècheuse et le tuyau approuvé de 3/8".
- Pour les longueurs supérieures à 20 pi (6,1 m), on doit utiliser des tuyaux plus gros et un adaptateur de grosseur différente.
- Si la sècheuse a été convertie au gaz de pétrole liquéfié, on peut utiliser un tuyau en cuivre compatible au gaz de pétrole liquéfié de 3/8". Si la longueur totale de la canalisation d'arrivée de gaz est supérieure à 20 pi (6,1 m), utiliser une plus grosse conduite.

REMARQUE : On doit utiliser un composé d'étanchéité des tuyauteries résistant à l'action du gaz de pétrole liquéfié. Ne pas utiliser de ruban TEFLON®†.

- Doit comporter un robinet d'arrêt du gaz :

Un robinet d'arrêt manuel individuel doit être installé conformément à la norme B149.1 du Code des installations au gaz naturel ou propane. Il est recommandé qu'un robinet d'arrêt manuel individuel soit installé en deçà de 6 pi (1,8 m) de la sècheuse. L'emplacement doit être facile à atteindre pour l'ouverture et la fermeture.



- A. Connecteur de gaz flexible de 3/8"
- B. Adaptateur du tuyau au joint conique de 3/8"
- C. Connecteur obturé (filetage NPT de 1/8" ou plus)
- D. Canalisation d'arrivée de gaz NPT de 1/2"
- E. Robinet d'arrêt du gaz

Exigences concernant le raccordement au gaz

- Utiliser un coude et un adaptateur NPT de 3/8" x 3/8" entre le connecteur de gaz flexible et la conduite de gaz de la sècheuse, tel que nécessaire pour éviter le pincement.
- Utiliser uniquement un composé d'étanchéité des tuyauteries. Ne pas utiliser de ruban TEFLON®†.
- On doit raccorder la sècheuse à la conduite d'alimentation en gaz à l'aide d'un connecteur de gaz flexible homologué qui respecte les normes applicables aux connecteurs utilisés avec des appareils ménagers à gaz, ANSI Z21.24 ou CSA 6.10.

Caractéristiques d'alimentation du brûleur

Altitudes supérieures à 10 000 pi (3 048 m) :

- Si la sècheuse doit être utilisée à une altitude supérieure à 10 000 pi (3 048 m), on doit réduire de 4 % le débit thermique du brûleur indiqué sur la plaque signalétique pour chaque tranche de 1000 pi (305 m) d'augmentation de l'altitude.

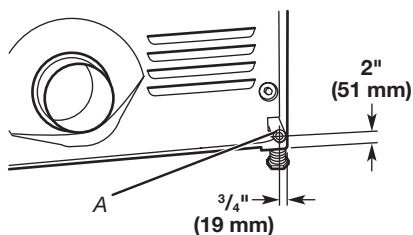
Épreuve sous pression de l'alimentation en gaz

- La sècheuse doit être déconnectée du système de canalisation d'alimentation en gaz lors de tout test de pression à des pressions plus élevées que 1/2 lb/po².

†TEFLON est une marque déposée de E.I. Du Pont De Nemours et Compagnie.

Canalisation d'arrivée de gaz de la sécheuse

- La canalisation d'arrivée de gaz sortant à l'arrière de la sécheuse est dotée d'un filetage mâle de $\frac{3}{8}$ ".



A. Tuyau NPT de la sécheuse de $\frac{3}{8}$ "

Exigences concernant l'évacuation

⚠ AVERTISSEMENT



Risque d'incendie

- Utiliser un conduit d'évacuation en métal lourd.
- Ne pas utiliser un conduit d'évacuation en plastique.
- Ne pas utiliser un conduit d'évacuation en feuille de métal.
- Le non-respect de ces instructions peut causer un décès ou un incendie.

AVERTISSEMENT : Pour réduire le risque d'incendie, cette sécheuse doit ÉVACUER L'AIR À L'EXTÉRIEUR.

IMPORTANT : Observer les dispositions de tous les codes et règlements en vigueur.

Le conduit d'évacuation de la sécheuse ne doit pas être connecté à une évacuation de gaz, une cheminée, un mur, un plafond ou un vide de construction.

En cas d'utilisation du système d'évacuation existant

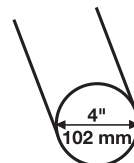
- Éliminer la charpie sur toute la longueur du système et veiller à ce que le clapet de décharge ne soit pas obstrué par une accumulation de charpie.
- Remplacer tout conduit de plastique ou de feuille métallique par un conduit de métal lourd rigide ou flexible.
- Examiner le tableau de longueur du conduit d'évacuation. Apporter les modifications nécessaires au système d'évacuation pour atteindre le meilleur rendement de séchage.

En cas de nouveau système d'évacuation

Matériel pour l'évacuation

- Utiliser un conduit d'évacuation en métal lourd. Ne pas utiliser un conduit de plastique ou en feuille métallique.

- Utiliser un conduit d'évacuation en métal lourd de 4" (102 mm) et des brides de serrage. Les produits d'évacuation DURASAFE™ sont recommandés.



Conduit d'évacuation en métal lourd de 4" (102 mm)

On peut se procurer les produits d'évacuation DURASAFE™ auprès du marchand ou en téléphonant au service Pièces et accessoires de Whirlpool. Pour plus de renseignements, voir la section "Assistance ou service".

Conduit métallique rigide

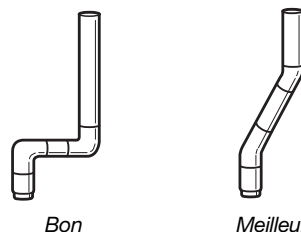
- Pour un meilleur rendement de séchage, on recommande d'utiliser des conduits métalliques rigides.
- On recommande d'utiliser un conduit métallique rigide pour réduire les risques d'écrasement et de déformation.

Conduit métallique flexible

- Les conduits métalliques flexibles sont acceptables seulement dans la mesure où ils sont accessibles en vue du nettoyage.
- Un conduit métallique flexible doit être totalement déployé et soutenu lorsque la sécheuse est dans son emplacement final.
- Enlever tout excès de conduit métallique flexible pour éviter tout affaissement ou déformation susceptible de réduire la capacité d'évacuation et le rendement.
- Ne pas installer le conduit métallique flexible dans les cavités fermées des murs, plafonds ou planchers.
- La longueur totale du conduit métallique souple ne doit pas dépasser $7 \frac{3}{4}$ pi (2,4 m).

Coudes

Les coudes à 45° permettent une meilleure circulation de l'air que les coudes à 90°.



Brides de serrage

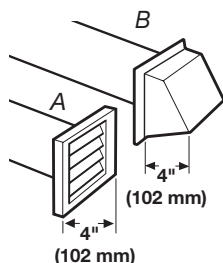
- Utiliser des brides de serrage pour sceller tous les joints.
- Le conduit d'évacuation ne doit pas être connecté ou fixé avec des vis ou avec tout autre dispositif de serrage qui se prolonge à l'intérieur du conduit, et auquel la charpie s'accroche. Ne pas utiliser de ruban adhésif pour conduit.



Bride de serrage

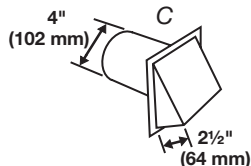
Évacuation

Les styles de clapets recommandés sont illustrés ci-dessous.



A. Clapet à persiennes
B. Clapet de type boîte

Le clapet incliné de type boîte ci-dessous est acceptable.



- Terminer le conduit d'évacuation par un clapet de décharge pour empêcher les rongeurs et insectes d'entrer dans l'habitation.
- Le clapet de décharge doit être situé à au moins 12" (305 mm) au-dessus du sol ou de tout autre objet susceptible de se trouver sur le trajet de l'air humide rejeté (par exemple, fleurs, roches ou arbustes, limite de la neige, etc.).
- Ne pas utiliser un clapet d'évacuation à fermeture magnétique.

Une mauvaise évacuation de l'air peut causer de l'humidité et une accumulation de charpie à l'intérieur de la maison, ce qui peut provoquer :

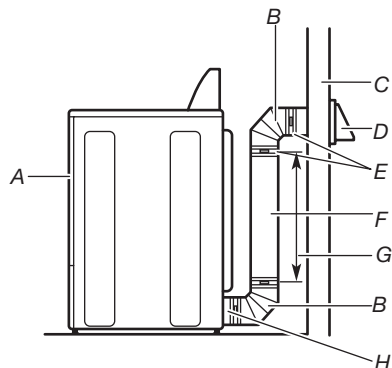
- Dommages par l'humidité aux boiseries, meubles, peinture, papier-peint, tapis, etc.
- Problèmes de nettoyage dans la maison et problèmes de santé.

Planification du système d'évacuation

Choisir un type de système d'évacuation

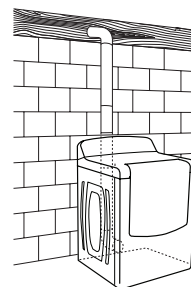
Installations d'évacuation recommandées

Les installations typiques consistent à acheminer le conduit d'évacuation à l'arrière de la sécheuse.



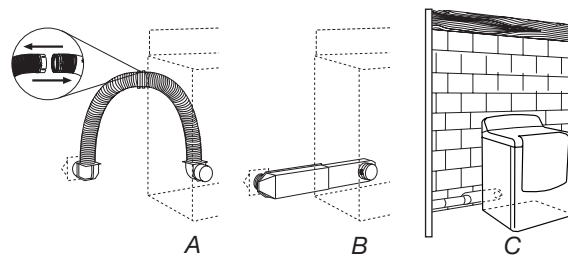
A. Sécheuse
B. Coude
C. Mur
D. Clapet de décharge
E. Brides de serrage
F. Conduit métallique rigide ou flexible
G. Longueur de conduit nécessaire pour raccorder les coudes
H. Bouche de décharge

Installations standard du conduit d'évacuation à l'aide d'un conduit métallique rigide ou flexible



Autres installations où le dégagement est réduit

Il existe de nombreux types de systèmes d'évacuation. Choisir le type qui convient le mieux à l'installation. Deux installations à dégagement réduit sont illustrées. Voir les instructions du fabricant.



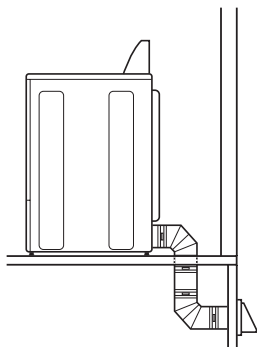
A. Installation au-dessus de la sécheuse (aussi disponible avec un coude décalé)
B. Installation de périscope
C. Installation d'évacuation par l'arrière (côté gauche ou droit)

REMARQUE : On peut acheter les trousse suivantes pour les installations où le dégagement est réduit. Veuillez consulter la section "Assistance ou service" pour commander.

- Installation au-dessus de la sécheuse :
Pièce numéro 4396028
- Installation de périscope (pour l'utilisation en cas de non-concordance de la bouche de décharge de la sécheuse avec le clapet) :
Pièce numéro 4396037 - 0" (0 mm) à 18" (457 mm) de décalage
Pièce numéro 4396011 - 18" (457 mm) à 29" (737 mm) de décalage
Pièce numéro 4396014 - 29" (737 mm) à 50" (127 mm) de décalage
- Installation d'évacuation par l'arrière (côté gauche ou droit) :
Pièce numéro 49611
- Installation d'évacuation par l'arrière (côté gauche)
Pièces numéros 8544761 et 8212504

Dispositions spéciales pour les installations dans une maison mobile

Le système d'évacuation doit être solidement fixé à une section non combustible de la structure de la maison mobile et ne doit pas se terminer en dessous de la maison mobile. Faire en sorte que le système d'évacuation se termine à l'extérieur.



Déterminer l'itinéraire d'acheminement du conduit

- Choisir l'itinéraire d'acheminement vers l'extérieur qui sera le plus direct et le plus rectiligne.
- Planifier l'installation pour introduire le nombre minimal de coudes et de changements de direction.
- Si des coudes ou des changements de direction sont utilisés, prévoir autant d'espace que possible.
- Plier le conduit graduellement pour éviter de le déformer.
- Utiliser le moins possible de changements de direction à 90°.

Déterminer la longueur du conduit et les coudes nécessaires pour la meilleure performance de séchage

- Utiliser le tableau des systèmes d'évacuation ci-dessous pour déterminer le type de matériel à utiliser pour le conduit et les combinaisons de clapet acceptables.

REMARQUE : Ne pas utiliser un conduit de longueur supérieure à la valeur spécifiée dans le tableau des systèmes d'évacuation. Si la longueur du circuit est supérieure à la valeur spécifiée dans le tableau, on observera :

- Une réduction de la longévité de la sècheuse.
- Une réduction du rendement, avec temps de séchage plus longs et une plus grande consommation d'énergie.

Le tableau des systèmes d'évacuation fournit les exigences d'évacuation qui vous aideront à atteindre la meilleure performance de séchage.

Tableau des systèmes d'évacuation

REMARQUE : L'évacuation par l'arrière (côté gauche ou droit) fonctionne en ajoutant un coude. Pour établir la longueur maximale du conduit, ajouter un coude supplémentaire dans le tableau.

Nombre de changements de direction à 90° ou coudes	Type de conduit	Clapets de type boîte ou à persiennes	Clapets inclinés
0	Métallique rigide	64 pi (20 m)	58 pi (17,7 m)
1	Métallique rigide	54 pi (16,5 m)	48 pi (14,6 m)

Nombre de changements de direction à 90° ou coudes	Type de conduit	Clapets de type boîte ou à persiennes	Clapets inclinés
2	Métallique rigide	44 pi (13,4 m)	38 pi (11,6 m)
3	Métallique rigide	35 pi (10,7 m)	29 pi (8,8 m)
4	Métallique rigide	27 pi (8,2 m)	21 pi (6,4 m)

Installation du système d'évacuation

1. Installer le clapet d'évacuation. Utiliser du composé de calfeutrage pour sceller l'ouverture murale à l'extérieur autour du clapet d'évacuation.
2. Raccorder le conduit d'évacuation au clapet. Le conduit doit être inséré à l'intérieur du clapet. Fixer ensemble le conduit et le clapet avec une bride de serrage de 4" (102 mm).
3. Acheminer le conduit d'évacuation jusqu'à l'emplacement de la sècheuse. Utiliser l'itinéraire le plus rectiligne possible. Voir "Déterminer l'itinéraire d'acheminement du conduit" dans "Planification du système d'évacuation". Éviter les changements de direction à 90°. Utiliser des brides de serrage pour sceller tous les joints. Ne pas utiliser de ruban adhésif pour conduit, de vis ou d'autres dispositifs de fixation qui se prolongent à l'intérieur du conduit pour fixer celui-ci car la charpie peut s'y accrocher.

Installation des pieds de nivellement

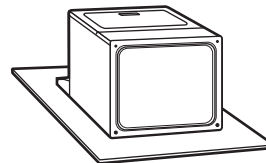
⚠ AVERTISSEMENT

Risque du poids excessif

Utiliser deux ou plus de personnes pour déplacer et installer la sècheuse.

Le non-respect de cette instruction peut causer une blessure au dos ou d'autre blessure.

1. Pour protéger le plancher, utiliser un grand morceau de carton de la boîte de la sècheuse. Placer le morceau de carton sous toute la longueur du bord arrière de la sècheuse.
2. Saisir fermement la sècheuse par la caisse (ni par le dessus ni par le panneau de commande). Déposer délicatement la sècheuse sur le carton. Voir l'illustration.



3. Examiner les pieds de nivellement. Trouver le symbole de repérage (losange).

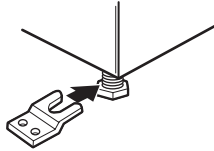


4. Engager manuellement les vis des pieds dans les trous. Utiliser une clé à molette pour visser les pieds jusqu'à ce que le symbole de repérage (losange) ne soit plus visible.

- Placer une cornière de carton prise à partir de l'emballage de la sècheuse sous chacun des deux coins arrière de la sècheuse. Redresser la sècheuse. Faire glisser la sècheuse sur les cornières jusqu'à ce qu'elle soit proche de son emplacement final. Laisser suffisamment d'espace pour connecter le conduit d'évacuation ou la canalisation de gaz.

Pour utilisation dans une maison mobile

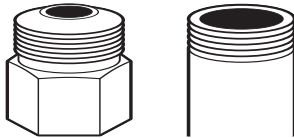
Les sècheuses à gaz doivent être fixées solidement au plancher.



Les installations dans une maison mobile nécessitent une trousse d'installation pour maison mobile. Voir la section "Outillage et pièces" pour les renseignements de commande.

Raccordement au gaz

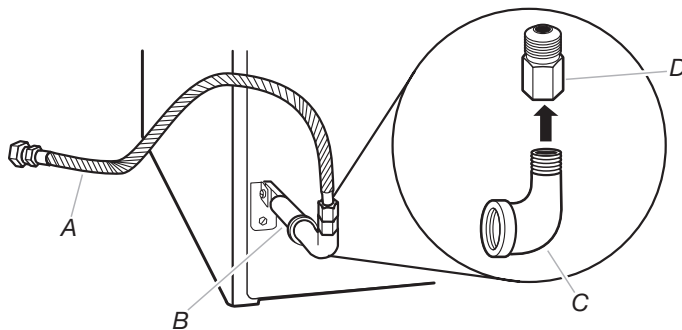
- Retirer le capuchon rouge de la conduite de gaz.
- À l'aide d'une clé à molette, raccorder l'alimentation en gaz à la sècheuse. Utiliser un composé d'étanchéité des tuyauteries sur tous les filetages mâles non évasés. Si on utilise un conduit métallique souple, veiller à ce qu'il ne soit pas déformé.



A. Filetage mâle évasé
B. Filetage mâle non évasé

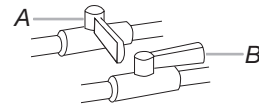
REMARQUE : Pour les raccords au gaz de pétrole liquéfié, il faut utiliser un composé d'étanchéité des tuyauteries résistant à l'action du gaz de pétrole liquéfié. Ne pas utiliser de ruban TEFLON®†.

On doit utiliser une combinaison de raccords de tuyauterie pour raccorder la sècheuse à l'alimentation en gaz existante. On voit ci-dessous une illustration d'un raccordement recommandé. Le raccordement peut varier, selon le type d'alimentation, la dimension et l'emplacement.



A. Connecteur de gaz flexible de $\frac{3}{8}$ "
B. Conduit de la sècheuse de $\frac{3}{8}$ "
C. Coude de conduit de $\frac{3}{8}$ " à $\frac{3}{8}$ "
D. Adaptateur entre le conduit et le joint conique de $\frac{3}{8}$ "

- Ouvrir le robinet d'arrêt du conduit d'alimentation. Le robinet est ouvert lorsque la poignée est parallèle au conduit d'alimentation en gaz.



A. Robinet fermé
B. Robinet ouvert

- Vérifier tous les raccords en les badigeonnant d'une solution de détection des fuites non corrosive approuvée. L'apparition de bulles indique une fuite. Réparer toute fuite éventuelle.

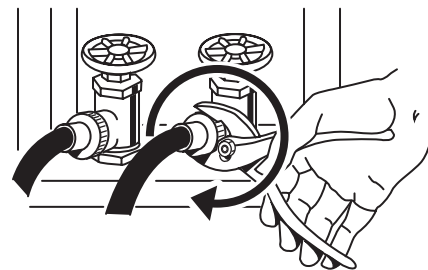
Raccordement du conduit d'évacuation

- À l'aide d'une bride de serrage de 4" (102 mm), relier le conduit d'évacuation à la bouche d'évacuation de la sècheuse. Si on utilise un système d'évacuation existant, s'assurer qu'il est propre. Le conduit d'évacuation de la sècheuse doit être fixé sur la bouche d'évacuation de la sècheuse et dans le clapet d'évacuation. S'assurer que le conduit d'évacuation est fixé au clapet d'évacuation à l'aide d'une bride de serrage de 4" (102 mm).
- Placer la sècheuse à son emplacement final. Ne pas écraser ni déformer le conduit d'évacuation.
- Vérifier que le tuyau de gaz flexible n'est pas déformé ou écrasé.
- Une fois que le conduit d'évacuation est raccordé, retirer les cornières et le carton.

Raccordement des tuyaux d'alimentation

La sècheuse doit être connectée au robinet d'eau froide à l'aide des nouveaux tuyaux d'alimentation. Ne pas utiliser de tuyaux usagés.

- Arrêter le robinet d'eau froide et retirer le tuyau d'alimentation de la laveuse.
 - Retirer l'ancienne rondelle de caoutchouc du tuyau d'alimentation et la remplacer par la nouvelle rondelle fournie. Si l'espace le permet, fixer l'embout femelle du connecteur en Y au robinet d'eau froide.
- REMARQUE :** Si le connecteur en Y peut être fixé directement au robinet d'eau froide, passer à l'étape 6. Si le connecteur en Y ne peut être fixé directement au robinet d'eau froide, il faut utiliser le tuyau d'alimentation court. Passer à l'étape 3.
- Fixer un tuyau court au robinet d'eau froide. Visser complètement le raccord à la main pour qu'il soit scellé au robinet.
 - À l'aide d'une pince, serrer les raccords en effectuant deux tiers de tour supplémentaire.

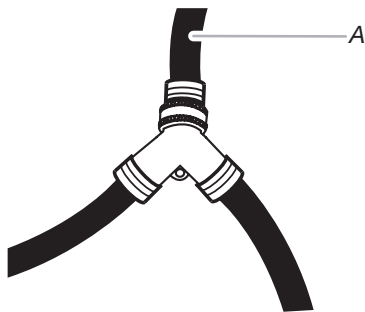


REMARQUE : Ne pas serrer excessivement. Le raccord risque d'être endommagé.

- Fixer le connecteur en Y à l'embout mâle du tuyau court. Visser complètement le raccord à la main pour qu'il soit scellé au connecteur en Y.
- L'un des extrémités du tuyau long comporte un treillis métallique à l'intérieur du raccord. Fixer cette extrémité au connecteur en Y.

†TEFLON est une marque déposée de E.I. Du Pont De Nemours and Company.

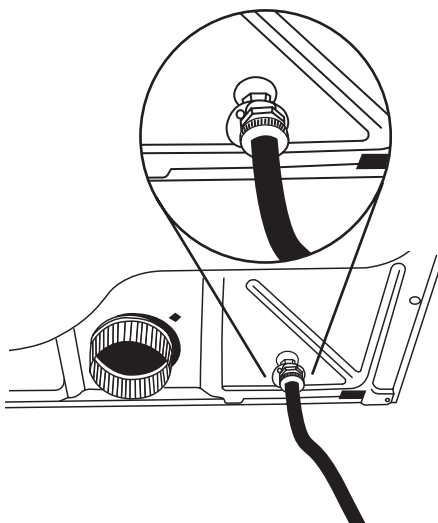
7. Fixer le tuyau d'alimentation en eau froide de la laveuse à l'autre extrémité connecteur en Y. Visser le raccord à la main jusqu'à ce qu'il soit fixé au du connecteur en Y.
8. Terminer le serrage des raccords - deux tiers de tour supplémentaires avec une pince.



A. Orifice d'entrée d'eau froide

REMARQUE : Ne pas serrer excessivement. Le raccord risque d'être endommagé.

9. Fixer l'extrémité inclinée du long tuyau au robinet de remplissage au bas du panneau arrière de la sécheuse. Visser complètement le raccord à la main pour qu'il soit scellé au raccord du robinet de remplissage.
10. Terminer le serrage des raccords - deux tiers de tour supplémentaires avec une pince.

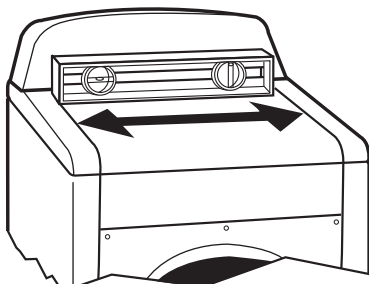


REMARQUE : Ne pas serrer excessivement. Le raccord risque d'être endommagé.

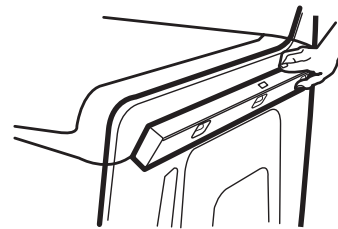
11. Vérifier que les robinets d'eau sont ouverts.
12. Vérifier s'il y a des fuites autour du connecteur en Y, du robinet et des tuyaux d'alimentation.

Réglage de l'aplomb de la sécheuse

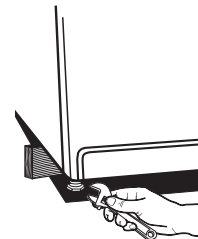
Contrôler l'aplomb de la sécheuse en plaçant d'abord un niveau sur la partie supérieure de la sécheuse près de la console.



Puis, en plaçant un niveau dans la zone située sur le côté de la sécheuse, entre la partie supérieure et la caisse de la sécheuse, vérifier l'aplomb dans le sens avant/arrière.



Si la sécheuse n'est pas d'aplomb, la relever à l'aide d'un bloc de bois. Utiliser une clé pour ajuster les pieds vers le haut ou vers le bas, et vérifier à nouveau si elle est d'aplomb.



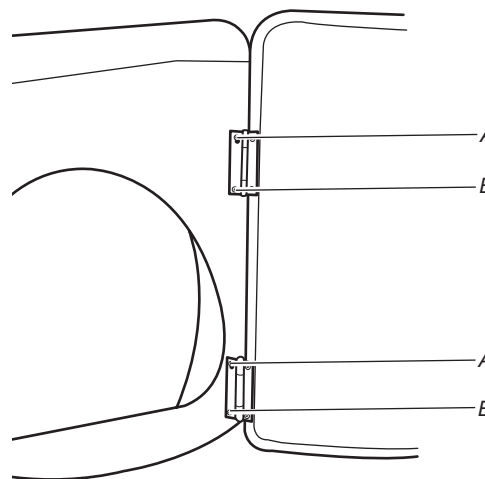
Inversion du sens d'ouverture de la porte

Le sens d'ouverture de la porte peut être changé du côté droit au côté gauche, si désiré.

1. Placer une serviette ou un linge doux sur la sécheuse ou l'espace de travail pour protéger la surface.

Dépose de la porte

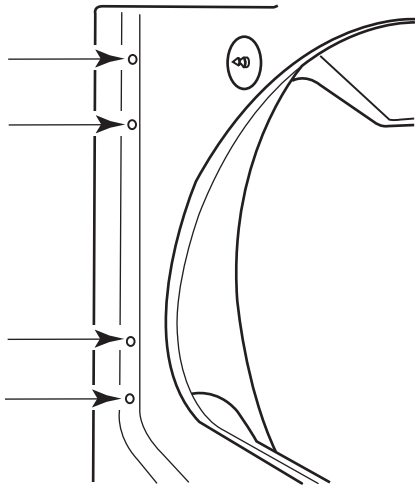
1. Ouvrir la porte de la sécheuse.
2. Retirer la vis inférieure de chacune des deux charnières qui fixent la porte au panneau avant de la sécheuse.
3. Desserrer la vis supérieure de chacune des deux charnières de l'étape 2.



A. Desserrer ces vis.
B. Ôter ces vis.

4. Retirer la porte de la sécheuse et les charnières en les soulevant à la verticale. Poser la porte sur une surface plane protégée, côté intérieur (partie interne de la porte) vers le haut. Retirer les deux vis desserrées du panneau avant de la sécheuse.

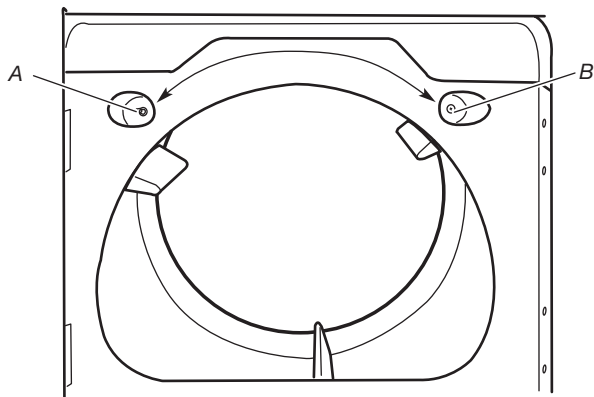
- Retirer les quatre chevilles de plastique situées à l'extérieur de l'ouverture de la porte de la sécheuse.



- Installer 4 chevilles de plastique dans les trous des vis sur la gauche de la sécheuse après avoir retiré les charnières (Étape 4).

Inversion de la gâche

- Retirer la gâche de la porte de la sécheuse.
- Retirer la vis cosmétique à l'opposé de la gâche de la porte.



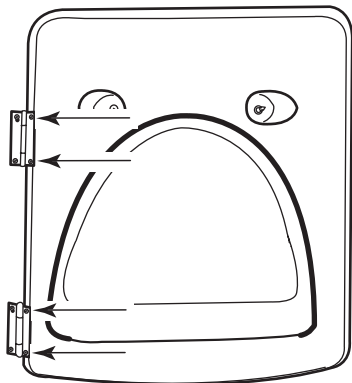
A. Gâche de la porte
B. Vis cosmétique

- Réinstaller la gâche de la porte et la vis cosmétique sur le côté opposé de leur place initiale.

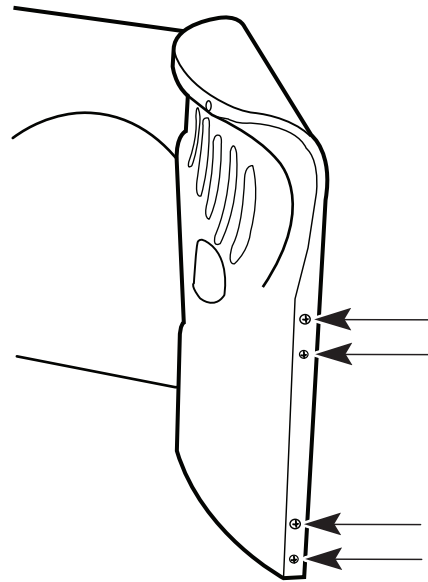
REMARQUE : La gâche de la porte et les chevilles d'obturation doivent être sur le même côté de l'ouverture de la porte.

Réinstallation de la porte

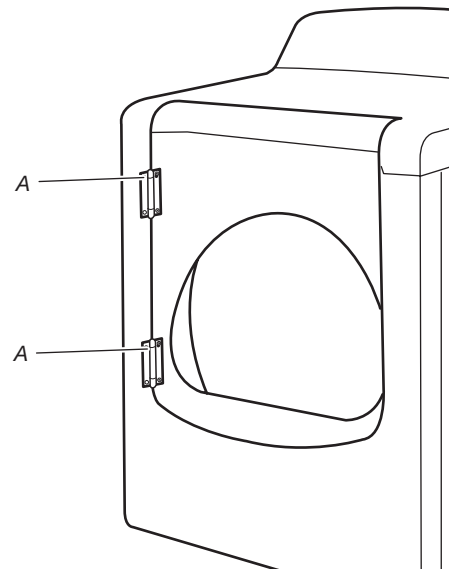
- Retirer les quatre vis et les deux charnières de la porte de la sécheuse.
- Replacer les quatre vis dans les mêmes trous.



- Retirer les quatre vis du côté opposé de la porte.

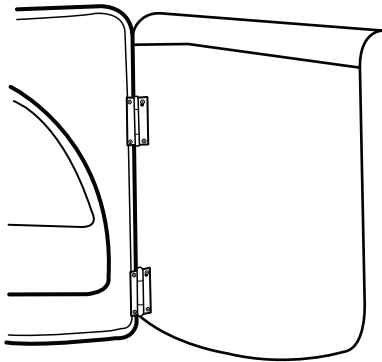


- Installer les deux charnières sur le panneau avant de la sécheuse à l'aide de quatre vis. Utiliser le côté sans fente pour fixer la charnière sur le panneau avant.
- Installer les vis dans les trous supérieurs de la porte destinés à la pose des charnières. Ne pas serrer les vis. Laisser les vis en retrait d'environ 1/4" (5 mm).



A. Installer d'abord ces vis.

6. Suspendre la porte : insérer les têtes de vis dans les trous de fente supérieurs des charnières et glisser la porte vers le bas. Aligner les trous de vis inférieurs dans la charnière et la porte. Fixer deux vis inférieures. Serrer toutes les vis de la charnière.



7. Fermer la porte; vérifier l'engagement de la gâche.

Achever l'installation

1. Vérifier que toutes les pièces sont installées. S'il reste une pièce, passer en revue les différentes étapes pour découvrir laquelle aurait été oubliée.
2. S'assurer d'avoir récupéré tous vos outils.
3. Jeter/recycler tout le matériel d'emballage.
4. Vérifier que les robinets d'eau sont ouverts.
5. Vérifier s'il y a des fuites autour du connecteur en Y, des robinets et des tuyaux d'arrivée d'eau.
6. Vérifier l'emplacement définitif de la sècheuse. S'assurer que le conduit d'évacuation n'est pas écrasé ou déformé.
7. Vérifier que la sècheuse est de niveau. Voir "Réglage de l'aplomb de la sècheuse".

10. Lire "Utilisation de la sècheuse".

11. Essuyer soigneusement l'intérieur du tambour de la sècheuse avec un chiffon humide pour éliminer toute trace de poussière.
12. Si vous habitez dans une région où l'eau est dure, il est recommandé d'utiliser un adoucisseur d'eau afin de contrôler les accumulations de calcaire dans le système d'eau de la sècheuse. Après un certain temps, les accumulations de calcaire peuvent obstruer différentes parties du système d'eau, ce qui réduira la performance du produit. Des accumulations excessives de calcaire peuvent engendrer la nécessité de remplacer des pièces ou de réparer la sècheuse.
13. Tester le fonctionnement de la sècheuse en sélectionnant un programme minuté avec séchage à chaud et en mettant la sècheuse en marche. Pour ce test, ne pas sélectionner le modificateur Air Only (air seulement).

Si la sècheuse ne démarre pas, vérifier ce qui suit :

- La sècheuse est branchée sur une prise à 3 alvéoles reliée à la terre.
 - L'alimentation électrique est connectée.
 - Les fusibles sont intacts et serrés, ou le disjoncteur n'est pas déclenché.
 - La porte de la sècheuse est fermée.
14. Après 5 minutes de fonctionnement, ouvrir la porte de la sècheuse et voir s'il y a de la chaleur. En cas de chaleur, annuler le programme et fermer la porte. Si vous ne sentez pas de chaleur, éteindre la sècheuse et vérifier si le robinet d'arrêt de la canalisation d'arrivée de gaz est ouvert.
 - Si le robinet d'arrêt de la canalisation d'arrivée de gaz est fermé, l'ouvrir, puis refaire le test des 5 minutes tel qu'indiqué ci-dessus.
 - Si le robinet d'arrêt de la canalisation d'arrivée de gaz est ouvert, contacter un technicien qualifié.

⚠ AVERTISSEMENT



Risque de choc électrique

Brancher sur une prise à 3 alvéoles reliée à la terre.

Ne pas enlever la broche de liaison à la terre.

Ne pas utiliser un adaptateur.

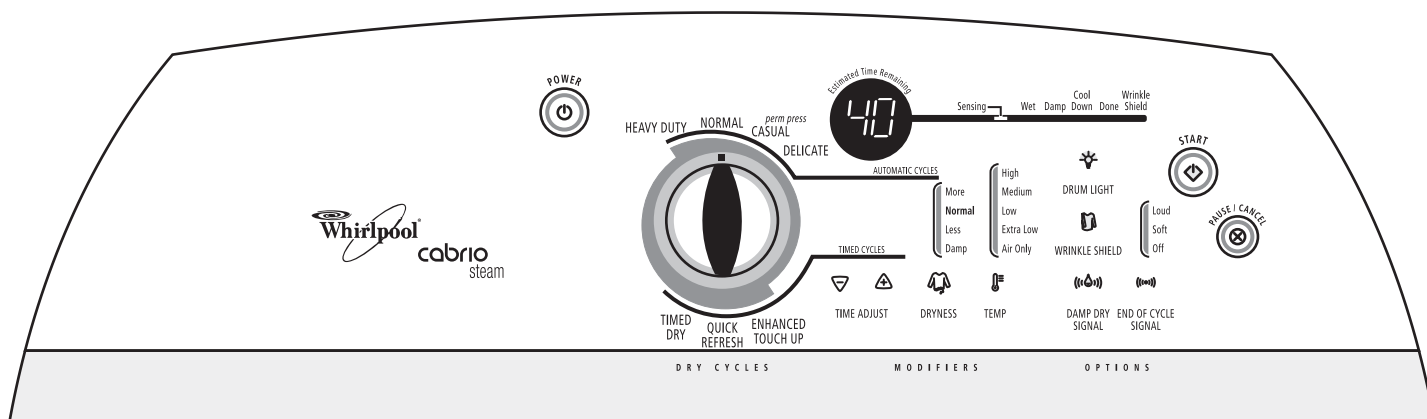
Ne pas utiliser un câble de rallonge.

Le non-respect de ces instructions peut causer un décès, un incendie ou un choc électrique.

8. Brancher la sècheuse sur une prise à 3 alvéoles reliée à la terre. Mettre l'appareil sous tension.
9. Retirer toute pellicule de protection ou tout ruban adhésif resté(e) sur la sècheuse.

REMARQUE : Les modèles avec une porte en verre comportent une pellicule de protection sur la vitre qui doit être retiré.

UTILISATION DE LA SÈCHEUSE



Mise en marche de la sècheuse

⚠ AVERTISSEMENT



Risque d'explosion

Garder les matières et les vapeurs inflammables, telle que l'essence, loin de la sècheuse.

Ne pas faire sécher un article qui a déjà été touché par un produit inflammable (même après un lavage).

Le non-respect de ces instructions peut causer un décès, une explosion ou un incendie.

⚠ AVERTISSEMENT



Risque d'incendie

Aucune laveuse ne peut complètement enlever l'huile.

Ne pas faire sécher des articles qui ont été salis par tout genre d'huile (y compris les huiles de cuisson).

Les articles contenant mousse, caoutchouc ou plastique doivent être séchés sur une corde à linge ou par le programme de séchage à l'air.

Le non-respect de ces instructions peut causer un décès ou un incendie.

Ce manuel couvre plusieurs modèles différents. Votre modèle peut ne pas comporter l'ensemble des programmes ou caractéristiques décrits.

Suivre ces étapes de base pour mettre la sècheuse en marche. Se référer aux sections spécifiques de ce manuel pour obtenir des renseignements plus détaillés.

1. Nettoyer le filtre à charpie avant chaque charge. Voir "Nettoyage du filtre à charpie".
2. Charger les vêtements dans la sècheuse et fermer la porte.
3. Appuyer sur POWER (alimentation).
4. Tourner le bouton au programme sélectionné. Les pré-réglages pour les programmes automatiques ou minutés s'allument. La durée estimée (programme automatique) ou réelle (programme minuté) du programme apparaît (en minutes) sur l'afficheur.

REMARQUE : Une durée par défaut est affichée lorsqu'un programme automatique est sélectionné. Au cours des premières minutes du processus de séchage, la durée du programme peut varier automatiquement par rapport à la durée par défaut en fonction du volume et du type de tissu de la charge. Vers la fin du processus de séchage, l'afficheur de la durée estimée s'ajustera de nouveau, indiquant la durée de séchage finale.

Utilisation d'un programme automatique

- Appuyer sur POWER (alimentation).
- Tourner le bouton au programme automatique désiré.
- Sélectionner DRYNESS (degré de séchage) pour régler le degré de séchage désiré. Au cours du programme, la commande détecte le degré de séchage de la charge et règle la durée automatiquement selon le degré de séchage sélectionné.

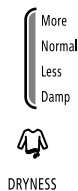
Le réglage de séchage par défaut est Normal lorsqu'on sélectionne un programme automatique. On peut sélectionner un degré de séchage différent, en fonction de la charge, en appuyant sur Dryness et en choisissant More (plus), Less (moins) ou Damp (humide). La sélection de More (plus), Less (moins) ou Damp (humide) ajuste automatiquement la durée détectée nécessaire. Après avoir sélectionné un degré de séchage, il est impossible de le modifier sans arrêter le programme.

- Sélectionner les options désirées.

Pour effectuer des changements durant un programme automatique :

- Appuyer sur PAUSE/CANCEL (pause/annulation).

- Régler le degré de séchage.



REMARQUE : Les sélections de degré de séchage ne peuvent être effectuées qu'avec les programmes automatiques.

Fonctionnement du système de séchage AccelerCare®

Les bandes de détection de l'humidité et de la température situées à l'intérieur du tambour de la sècheuse contrôlent la vitesse de séchage de la charge, la chaleur de l'air et le moment où les vêtements sont secs. Le système arrête automatiquement le programme pour gagner du temps et éviter un séchage excessif.

Utilisation d'un programme minuté

- Tourner le bouton au programme minuté désiré.
- Appuyer sur les flèches TIME ADJUST (vers le haut ou vers le bas) jusqu'à ce que la durée de séchage désirée s'affiche. Appuyer sur les flèches (vers le haut ou vers le bas) et la durée changera par tranches de 1 minute. Appuyer sans relâcher sur les flèches (vers le haut ou vers le bas) et la durée changera par tranches de 5 minutes.

REMARQUE : La caractéristique de température peut être uniquement utilisée avec les programmes de séchage minuté et Enhanced Touch Up (retouche améliorée).



TIME ADJUST

- Appuyer sur TEMP jusqu'à ce que la température désirée s'allume.



TEMP

REMARQUE : La caractéristique d'ajustement de la durée peut être uniquement utilisée avec les programmes de séchage minuté et Enhanced Touch Up (retouche améliorée).

REMARQUE : Durant un programme minuté, on peut changer les réglages de durée, de température, de WRINKLE SHIELD™ et de signal de fin de programme.

5. (ÉTAPE FACULTATIVE) Si désiré, choisir OPTIONS. Pour plus de détails, voir "Options".
6. (ÉTAPE FACULTATIVE) Si désiré, appuyer sur END OF CYCLE SIGNAL. Un signal sera émis pour vous annoncer la fin du programme. Pour plus de détails, voir la section "Signal de fin de programme".
7. Appuyer sur START (mise en marche). Vérifier que la porte est fermée.
 - Si on n'appuie pas sur Start dans les 5 minutes qui suivent le choix de programme, la sècheuse s'arrête automatiquement.

- Si on désire mettre fin au programme de séchage après avoir appuyé sur Start, appuyer deux fois sur PAUSE/CANCEL.

Utilisation d'un programme vapeur (Rafraîchissement rapide et retouche améliorée)

- Appuyer sur POWER.
- Tourner le bouton pour sélectionner le programme Retouche améliorée ou Rafraîchissement rapide.
- Appuyer sur les flèches TIME ADJUST (vers le haut ou vers le bas) jusqu'à ce que la durée de séchage désirée s'affiche. Appuyer sur les flèches (vers le haut ou vers le bas) et la durée changera par tranches de 1 minute. Appuyer sans relâcher sur les flèches (vers le haut ou vers le bas) et la durée changera par tranches de 5 minutes.

REMARQUE : Les caractéristiques d'ajustement du programme minuté ne peuvent être utilisées qu'avec les programmes minutés et le programme de retouche améliorée.



TIME ADJUST

- Appuyer sur TEMP jusqu'à ce que la température désirée s'allume.



TEMP

REMARQUE : La caractéristique de température peut être uniquement utilisée avec les programmes de séchage minuté et Enhanced Touch Up (retouche améliorée). Seuls les réglages de température moyenne et élevée peuvent être utilisés pendant le programme Enhanced Touch up (retouche améliorée).

- **REMARQUE :** Durant un programme de retouche améliorée, on peut changer les réglages d'ajustement du programme minuté et d'ajustement de la température. Ouvrir la porte ou appuyer une fois sur PAUSE/CANCEL pour marquer une pause dans le programme, ou appuyer deux fois sur PAUSE/CANCEL pour annuler un programme.

Arrêt, pause ou remise en marche

Pour mettre la sècheuse en pause ou l'arrêter à tout moment

Ouvrir la porte ou appuyer une fois sur PAUSE/CANCEL. Appuyer deux fois sur PAUSE/CANCEL pour annuler un programme.

Pour remettre la sècheuse en marche

Fermer la porte. Appuyer sur START jusqu'à ce que la sècheuse se mette en marche.

REMARQUE : Le séchage reprendra là où le programme a été interrompu si on referme la porte et appuie sur Start dans les 5 minutes qui suivent. Si le programme est interrompu pendant plus de 5 minutes, la sècheuse s'arrête. Sélectionner de nouveaux réglages de programme avant de remettre la sècheuse en marche.

Conseils pour le séchage et les programmes

Choisir le programme, le degré de séchage et la température corrects pour la charge. Si un programme automatique est en cours, l'afficheur indique la durée estimée du programme au moment où la sècheuse détecte automatiquement le degré de séchage de la charge. Si un programme minuté est en cours, l'afficheur indique la durée exacte en minutes restante jusqu'à la fin du programme.

La période de refroidissement fait culbuter la charge sans chaleur au cours des quelques dernières minutes de tous les programmes. La période de refroidissement permet de manipuler les charges plus facilement et réduit le froissement. La durée de refroidissement varie en fonction de la charge et du degré de séchage.

Conseils de séchage

- Suivre les directives figurant sur l'étiquette lorsqu'elles sont disponibles.
- Si désiré, ajouter une feuille d'assouplissant de tissu. Suivre les instructions figurant sur l'emballage.
- Pour réduire le froissement, enlever la charge de la sècheuse aussitôt que le culbutage cesse. Cette action est particulièrement importante pour les tissus à pressage permanent, les tricotés et les tissus synthétiques.
- Éviter de faire sécher des vêtements de travail épais avec des tissus plus légers. Il pourrait en résulter un séchage excessif des tissus plus légers et un rétrécissement ou froissement accru.

Conseils pour les programmes

- On recommande de sécher la plupart des charges en utilisant les préréglages de programme.
 - Consulter le tableau des préréglages des programmes automatiques ou minutés (à la section "Programmes") pour un guide de séchage de charges diverses.
 - La température de séchage et le degré de séchage sont préréglés lorsqu'on choisit un programme automatique. On peut sélectionner un degré de séchage différent, en fonction de la charge, en appuyant sur Dryness et en choisissant More (plus), Normal (normal), Less (moins) ou Damp (humide).
- REMARQUE :** Il est impossible d'utiliser la caractéristique d'ajustement de la durée ou de choisir une température avec les programmes automatiques.
- Pour ajuster la durée d'un programme minuté, appuyer sur les flèches Time Adjust (vers le haut ou vers le bas). Ajuster la température d'un programme minuté en appuyant sur Temp jusqu'à ce que la température désirée soit sélectionnée.
- REMARQUE :** Il est impossible de choisir un degré de séchage avec les programmes minutés.

Témoins lumineux

On peut suivre l'état d'avancement de la sècheuse grâce aux témoins lumineux du degré de séchage.



Sensing (détection)

- Au cours d'un programme automatique, le témoin Sensing est allumé jusqu'à ce qu'un article mouillé soit détecté.
- Au cours d'un programme minuté, le témoin Sensing s'allume au début du programme et s'éteint au bout de 5 minutes.

Wet (mouillé)

Le témoin Wet s'allume au début d'un programme automatique si un article mouillé est détecté.

- Au cours d'un programme automatique, si un article mouillé n'est pas détecté après environ 5 minutes, la sècheuse passe directement à la période de refroidissement et les témoins Cool Down et WRINKLE SHIELD™ s'allument, si la fonction est sélectionnée.
- Au cours d'un programme minuté, les articles mouillés ne sont pas détectés. La sècheuse continuera à fonctionner pour la durée de temps sélectionnée et le témoin Wet s'allumera. Le témoin lumineux Damp (humide) ne s'allumera pas.
- Dans les programmes à la vapeur Enhanced Touch Up (retouche améliorée) et Quick Refresh (rafraîchissement rapide), le témoin Wet s'allume après l'aspersion de l'eau dans le tambour, ce qui représente 5 à 6 minutes pendant le programme. Le témoin Wet reste allumé jusqu'à ce que la sècheuse passe au refroidissement, 1 minute avant la fin du programme.

Damp (humide)

Le témoin Damp s'allume au cours d'un programme automatique lorsque le linge est sec à environ 80 %. Si on sélectionne le séchage humide, un signal est émis. Voir "Options".

Cool Down (refroidissement)

Le témoin Cool Down s'allume pendant la période de refroidissement du programme. Le linge refroidit pour faciliter sa manipulation.

Done (programme terminé)

Le témoin Done s'allume lorsque le programme de séchage est terminé. Ce témoin reste allumé durant le réglage WRINKLE SHIELD™.

Réglage WRINKLE SHIELD™

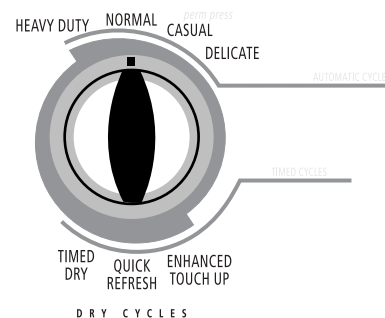
Le témoin du réglage WRINKLE SHIELD™ s'allume lorsque cette option est sélectionnée. Ce témoin reste allumé durant le réglage WRINKLE SHIELD™.

Témoins lumineux

Les autres témoins lumineux indiquent les réglages de programme, de modificateurs, d'options et de signal de fin de programme sélectionnés. L'affichage indique la durée restante réelle ou estimée.

Programmes

Sélectionner le programme de séchage qui correspond au type de charge à sécher. Voir les tableaux des préréglages des programmes automatiques, à la vapeur ou minutés.



Programmes automatiques

Les programmes automatiques permettent d'assortir le programme à la charge à sécher. Voir le tableau ci-après "Préréglages des programmes automatiques". Chaque programme sèche certains tissus à la température recommandée. Un capteur détecte l'humidité de la charge et règle automatiquement la durée pour un séchage optimal.

Heavy Duty (service intense)

Utiliser ce programme pour le séchage à température élevée des charges mixtes lourdes, des articles en coton et des jeans.

Normal

Utiliser ce programme pour le séchage à température moyenne des tissus robustes tels que les vêtements de travail.

Casual (tout-aller)

Utiliser ce programme pour le séchage à basse température des tissus sans repassage tels que les chemises de sport, les vêtements de travail tout-aller et les mélanges de tissus à pressage permanent.

Delicate (articles délicats)

Utiliser ce programme pour le séchage à température extra basse des articles tels que la lingerie, les chemisiers et les tricotés lavables.

Préréglages des programmes automatiques

Programmes automatiques Type de charge	Température
HEAVY DUTY (service intense) Charges mixtes lourdes, articles en coton, jeans	High (élevée)
NORMAL Velours côtelé, vêtements de travail	Medium (moyenne)
CASUAL (tout-aller) Vêtements de travail tout-aller, pressage permanent, articles synthétiques	Low (basse)
DELICATE (articles délicats) Lingerie, chemisiers, tricotés lavables en machine	Extra-Low (extra-basse)

Programmes à la vapeur

Utiliser les programmes à la vapeur pour aider à aplanir les faux plis des articles secs, tels que les vêtements qui ont été portés ou qui sont restés trop longtemps dans la sècheuse. Lorsqu'un programme Steam est sélectionné, l'afficheur de durée restante estimée indique la durée réelle restante du programme.

REMARQUE : Les résultats peuvent varier en fonction du tissu. Les vêtements 100 % coton au fini antifroissement obtiennent de meilleurs résultats que les autres.

L'utilisation d'une feuille d'assouplissant de tissu n'est pas recommandée avec les programmes vapeur; ceci pourrait causer des taches temporaires sur les vêtements.

Quick Refresh (rafraîchissement rapide)

Le programme Quick Refresh (rafraîchissement rapide) est plus approprié pour aplanir les faux plis et réduire les odeurs des charges contenant un à quatre articles secs en coton sans pli, coton/polyester, les tricotés ordinaires et les vêtements synthétiques. Au cours de ce programme une petite quantité d'eau est vaporisée dans le tambour de la sècheuse après plusieurs minutes de culbutage avec chaleur. Le culbutage avec chaleur de la sècheuse se poursuivra, suivi d'un bref refroidissement. Le niveau de chaleur et la durée du programme ne sont pas réglables.

Enhanced Touch Up (retouche améliorée)

Ce programme est plus approprié pour aplanir les faux plis des vêtements qui sont restés dans la sècheuse trop longtemps. Au cours de ce programme une petite quantité d'eau est vaporisée dans le tambour de la sècheuse après plusieurs minutes de culbutage avec chaleur. Le culbutage avec chaleur de la sècheuse se poursuivra, suivi d'un bref refroidissement. La durée de séchage et la température peuvent être réglées pour ce programme.

REMARQUE : Surcharger la sècheuse peut altérer la qualité des résultats.

Préréglages du programme à la vapeur

Programmes minutés Type de charge	Température par défaut*	Durée par défaut (Minutes)*
QUICK REFRESH (rafraîchissement rapide) Aide à aplanir les plis et réduire les odeurs des charges d'un à quatre articles.	Medium (moyenne)	15
ENHANCED TOUCH UP (retouche améliorée) Aide à aplanir les plis des charges laissées dans la sècheuse pendant une période prolongée.	Medium (moyenne)	20

*La température et l'ajustement du programme minuté ne peuvent être sélectionnés qu'avec le programme de retouche améliorée.

REMARQUE : Le programme de retouche améliorée a une durée minimale de séchage de 15 minutes et une durée maximale de 40 minutes. Seuls les réglages de température Medium (moyenne) et High (élevée) peuvent être utilisés pour le programme de retouche améliorée.

Programmes minutés

Utiliser les programmes minutés pour sélectionner une durée de séchage précise et une température de séchage. Lorsqu'un programme minuté est sélectionné, l'afficheur de la durée résiduelle estimée indique la durée réelle restante pour le programme en cours. Il est possible de modifier la durée réelle du programme en appuyant sur les flèches Time Adjust (vers le haut ou vers le bas). Voir "Changement des programmes, modificateurs et options".

REMARQUE : Les programmes minutés peuvent également être utilisés avec la grille de séchage. Voir "Grille de séchage".

Séchage minuté

Utiliser ce programme pour compléter le séchage si des articles sont encore humides après un programme automatique. Le séchage minuté est également utile pour le séchage d'articles lourds et encombrants tels que les couvre-lits et vêtements de travail. Les vêtements légers, tels que les vêtements de gymnastique, peuvent être séchés en utilisant le séchage minuté réglé à basse température.

Préréglages des programmes minutés

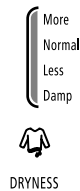
Programmes minutés Type de charge	Température par défaut	Durée par défaut (Minutes)
TIMED DRY (séchage minuté) Articles lourds et encombrants, vêtements de travail	High (élevée)	40

Modificateurs

Modificateurs des programmes automatiques

Utiliser le modificateur de degré de séchage pour sélectionner les degrés de séchage des programmes automatiques. Appuyer sur DRYNESS jusqu'à ce que le réglage de degré de séchage désiré s'allume.

Le réglage de séchage par défaut est Normal lorsqu'on sélectionne un programme de séchage automatique. On peut sélectionner un degré de séchage différent, en fonction de la charge, en appuyant sur Dryness et en choisissant More (plus), Normal (normal), Less (moins) ou Damp (humide). La sélection de More (plus), Normal (normal), Less (moins) ou Damp (humide) ajuste automatiquement le degré de séchage qui commandera l'arrêt de la sècheuse. Après avoir sélectionné un degré de séchage, il est impossible de le modifier sans arrêter le programme.



REMARQUE : Les sélections de degré de séchage ne peuvent être utilisées avec les programmes minutés.

Modificateurs des programmes minutés

Utiliser le modificateur de température pour sélectionner les températures des programmes minutés. Appuyer sur TEMP jusqu'à ce que le réglage de température désiré s'allume.



REMARQUE : Les modificateurs de température ne peuvent pas être utilisés avec les programmes automatiques.

Air Only (air seulement)

Utiliser le modificateur Air Only pour les articles qui doivent être séchés sans chaleur, tels que le caoutchouc, le plastique et les tissus sensibles à la chaleur. Ce tableau donne des exemples d'articles qui peuvent être séchés au réglage Air Only.

Type de charge	Durée* (Minutes)
Caoutchouc mousse - oreillers, soutiens-gorge rembourrés, jouets rembourrés	20 - 30
Plastique - rideaux de douche, nappes	20 - 30
Tapis à endos de caoutchouc	40 - 50
Plastique oléfinique, polypropylène, nylon diaphane	10 - 20

*Régler de nouveau le programme pour compléter le séchage, si nécessaire.

Utilisation du réglage Air Only (air seulement)

- Vérifier que les recouvrements sont bien cousus.
- Secouer et faire bouffer les oreillers à la main périodiquement pendant le programme.
- Sécher l'article complètement. Les oreillers en caoutchouc mousse sont lents à sécher.

REMARQUE : Air Only n'est pas disponible avec les programmes automatiques.

Options

On peut personnaliser les programmes en choisissant certaines options.



Drum Light (lampe du tambour)

Sur certains modèles, sélectionner Drum Light (lampe du tambour) pour allumer la lampe à l'intérieur du tambour de la sècheuse. Pendant un programme, si la fonction Drum Light est sélectionnée, la lampe du tambour s'allume et reste allumée jusqu'à ce qu'on appuie à nouveau sur la touche DRUM LIGHT, qu'on ouvre ou ferme la porte ou qu'on laisse la porte ouverte pendant 5 minutes.

Lorsque la sècheuse ne fonctionne pas, la lampe du tambour s'allume lorsqu'on appuie sur la touche DRUM LIGHT (lampe du tambour) ou lorsque la porte est ouverte. Elle restera allumée à moins que la porte de la sècheuse ne soit laissée ouverte pendant 5 minutes, qu'on ferme la porte ou qu'on appuie à nouveau sur la touche DRUM LIGHT.

Appuyer sur DRUM LIGHT à tout moment pour allumer ou éteindre la lampe du tambour.

Réglage WRINKLE SHIELD™

Le réglage WRINKLE SHIELD™ aide à aplanir les faux plis qui se forment lorsqu'on ne peut pas sortir la charge de la sècheuse dès la fin d'un programme. Au cours de cette option, la sècheuse arrête le culbutage puis effectue de nouveau un culbutage pendant une brève période.

- Appuyer sur le réglage WRINKLE SHIELD™ pour obtenir jusqu'à 120 minutes de culbutage périodique sans chaleur à la fin d'un programme.
- Arrêter le réglage WRINKLE SHIELD™ à tout moment en appuyant sur le réglage WRINKLE SHIELD™ ou en ouvrant la porte de la sècheuse.
- Pour le programme Perm Press/Casual (pressage permanent/tout-aller), le réglage WRINKLE SHIELD™ est pré-réglé à ON (marche). Les autres programmes automatiques conservent le réglage WRINKLE SHIELD™. Par exemple, si on sélectionne le réglage WRINKLE SHIELD™ dans le programme Normal, le réglage sera activé la prochaine fois que ce programme sera sélectionné.

REMARQUE : Lorsqu'on ne sélectionne pas le réglage WRINKLE SHIELD™, la sècheuse s'arrête après la période de refroidissement.

Damp Dry Signal (signal de séchage humide)

Choisir cette option pour être averti lorsque les vêtements sont secs à environ 80 %. Cette option est utile lorsqu'on désire retirer des articles légers d'une charge mixte pour éviter de les sécher à l'excès ou sortir des articles partiellement secs nécessitant un éventuel repassage.

Le signal de séchage humide est utile lorsqu'on sèche des draps/du linge de maison dans une charge mixte. Lorsque le signal s'éteint, ouvrir la porte pour arrêter la sècheuse, réarranger la charge, fermer la porte et remettre la sècheuse en marche pour terminer le programme. Réarranger la charge aidera les articles à mieux sécher.

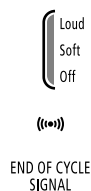
REMARQUE : Le signal de séchage humide est disponible uniquement avec les programmes automatiques.

Signal de fin de programme

Signal de fin de programme

La sècheuse émet un signal sonore qui indique la fin du programme. Le fait de sortir rapidement les vêtements à la fin du programme réduit le froissement.

Appuyer sur END OF CYCLE SIGNAL (signal de fin de programme) jusqu'à la sélection du volume désiré (fort, faible ou éteint).



REMARQUE : Lorsque le réglage WRINKLE SHIELD™ est sélectionné et que le signal de fin de programme est activé, un signal sonore retentit toutes les 5 minutes jusqu'à ce que les vêtements soient retirés, ou que le réglage WRINKLE SHIELD™ se termine.

Changement des programmes, modificateurs et options

Il est possible de changer les programmes automatiques et minutés, les modificateurs et les options à tout moment avant d'appuyer sur le bouton Start (mise en marche).

- Trois brefs signaux sonores marquent le choix d'une combinaison non disponible. La dernière sélection ne sera pas acceptée.

Changement des programmes après avoir appuyé sur Start

1. Appuyer deux fois sur la touche PAUSE/CANCEL (pause/annulation).
2. Sélectionner le programme et les options désirés.

3. Appuyer sur START (mise en marche). La sècheuse recommence au début du nouveau programme.

REMARQUE : Si on n'appuie pas sur Start dans les 5 minutes qui suivent le choix de programme, la sècheuse s'arrête automatiquement.

Changement des modificateurs et options après avoir appuyé sur Start

Il est possible de changer une option ou un modificateur en tout temps avant que l'option ou le modificateur choisi ne commence.

1. Appuyer une fois sur PAUSE/CANCEL (pause/annulation).
2. Choisir la nouvelle option et/ou les nouveaux modificateurs.
3. Appuyer sur START pour continuer le programme.

REMARQUE : Si on appuie deux fois sur PAUSE/CANCEL, le programme est annulé et la sècheuse s'éteint. Recommencer le processus de sélection.

Modification des pré-réglages de niveau de séchage

Si les charges des programmes de séchage automatiques ne sont pas aussi sèches que désiré, vous pouvez modifier les pré-réglages du niveau de séchage pour augmenter le séchage. Cette modification prendra effet pour tous les programmes de séchage automatiques.

Vos réglages de niveau de séchage peuvent être modifiés pour s'adapter à différentes installations, conditions environnementales ou préférences personnelles. Il existe 3 réglages de séchage : 1 (niveau de séchage pré-réglé en usine), 2 (vêtements légèrement plus secs, environ 15 % de temps de séchage supplémentaire) et 3 (vêtements beaucoup plus secs, environ 30 % de temps de séchage supplémentaire).

1. Les réglages de niveau de séchage ne peuvent pas être modifiés pendant le fonctionnement de la sècheuse.
2. Appuyer sur le bouton DRYNESS pendant 5 secondes. La sècheuse émet un signal sonore, et "CF" s'affiche pendant 1 seconde, suivi du réglage de séchage actuel.
3. Pour sélectionner un nouveau réglage de séchage, appuyer de nouveau sur le bouton DRYNESS jusqu'à ce que le réglage désiré s'affiche.
REMARQUE : Pendant une recherche de réglage, le réglage en cours ne clignote pas mais les autres réglages clignotent.
4. Appuyer sur START pour enregistrer le réglage de séchage.
5. Le réglage de séchage que vous avez sélectionné deviendra le nouveau réglage par défaut pour tous les programmes automatiques.

Option de grille de séchage

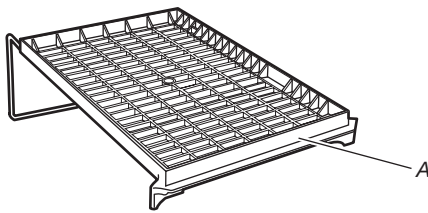
Utiliser la grille de séchage pour faire sécher sans culbutage des articles tels que chandails et oreillers. Le tambour tourne, mais la grille de séchage ne bouge pas.

Si votre modèle ne dispose pas d'une grille de séchage, vous pouvez en acheter une. Pour savoir si votre modèle permet l'utilisation d'une grille de séchage et pour obtenir des renseignements pour commander, veuillez consulter la couverture de ce manuel ou contacter le marchand chez qui vous avez acheté votre sècheuse.

REMARQUE : La grille de séchage doit être enlevée pour le culbutage normal. Ne pas utiliser le programme automatique avec la grille de séchage.

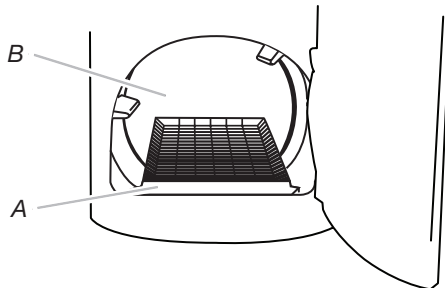
Utilisation de la grille de séchage

1. Ouvrir la porte de la sècheuse.



A. Bord avant

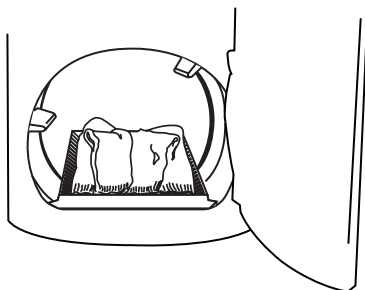
2. Placer la grille de séchage dans le tambour de la sècheuse en positionnant la broche arrière sur le rebord du panneau interne arrière de la sècheuse. Baisser le bord avant de la grille de séchage pour bien la fixer à l'avant de la sècheuse.



A. Bord avant de la grille de séchage
B. Panneau arrière de la sècheuse

3. Placer les articles mouillés sur la grille de séchage. Laisser de l'espace entre les articles pour que l'air puisse atteindre toutes les surfaces.

REMARQUE : Ne pas laisser un article pendre par-dessus le bord de la grille de séchage.



4. Fermer la porte.
5. Appuyer sur le bouton POWER (alimentation).
6. Sélectionner un programme de séchage minuté et une température (voir tableau suivant). Les articles contenant de la mousse, du caoutchouc ou du plastique doivent être séchés sur une corde à linge ou au moyen du réglage de séchage à l'air seulement.
7. Il faut sélectionner une durée de séchage en appuyant sur TIME ADJUST (vers le haut ou vers le bas). Régler de nouveau la durée au besoin pour compléter le séchage. Se référer au tableau suivant.
8. Appuyer sans relâcher sur le bouton START (pendant environ 1 seconde).

Ce tableau montre des exemples d'articles qui peuvent être séchés sur une grille et indique le programme, le réglage de température et la durée de séchage suggérés. La durée de séchage réelle dépendra du degré d'humidité retenue dans les articles.

Séchage sur grille	Réglage	Temp.	Durée*
Chandails en laine Étirer à la taille normale et étaler à plat sur la grille de séchage.	Séchage minuté	Basse	60
Jouets rembourrés ou oreillers Rembourrage de coton ou de polyester	Séchage minuté	Basse	60
Jouets rembourrés ou oreillers Rembourrage en caoutchouc mousse	Séchage minuté	Air seulement (sans chaleur)	90
Chaussures de tennis ou de toile	Séchage minuté	Air seulement (sans chaleur)	90

*(Minutes) Régler de nouveau la durée pour compléter le séchage, si nécessaire.

ENTRETIEN DE LA SÈCHEUSE

Nettoyage de l'emplacement de la sècheuse

Éviter de laisser des éléments qui pourraient obstruer le débit de combustion et empêcher une bonne ventilation autour de la sècheuse.

⚠ AVERTISSEMENT



Risque d'explosion

Garder les matières et les vapeurs inflammables, telle que l'essence, loin de la sècheuse.

Placer la sècheuse au moins 460 mm (18 po) au-dessus du plancher pour une installation dans un garage.

Le non-respect de ces instructions peut causer un décès, une explosion ou un incendie.

Nettoyage du filtre à charpie

Nettoyer le filtre à charpie avant chaque charge. Un filtre obstrué de charpie peut augmenter la durée de séchage.

IMPORTANT :

- Ne pas faire fonctionner la sècheuse avec un filtre à charpie déplacé, endommagé, bloqué ou manquant. Une telle action peut causer une surchauffe ou des dommages à la sècheuse et aux tissus.
- Si de la charpie tombe dans la sècheuse au moment du retrait du filtre, vérifier le conduit d'évacuation et retirer la charpie.

Nettoyage avant chaque charge

1. Le filtre à charpie est situé au sommet de la sècheuse. Tirer le filtre à charpie vers soi. Enlever la charpie du filtre en la roulant avec les doigts. Ne pas rincer ni laver le filtre pour enlever la charpie. La charpie mouillée s'enlève difficilement.



2. Remettre le filtre à charpie fermement en place.

Nettoyage au besoin

1. Enlever la charpie du filtre en la roulant avec les doigts.
2. Mouiller les deux côtés du filtre à charpie avec de l'eau chaude.
3. Mouiller une brosse en nylon avec de l'eau chaude et du détergent liquide. Frotter le filtre avec la brosse pour enlever l'accumulation de résidus.
4. Rincer le filtre à l'eau chaude.

5. Bien sécher le filtre à charpie avec une serviette propre. Réinstaller le filtre à charpie dans la sècheuse.

Nettoyage de l'intérieur de la sècheuse

1. Appliquer un nettoyant domestique liquide et ininflammable sur la surface tachée du tambour et frotter avec un linge doux jusqu'à ce que la tache soit enlevée.
2. Essuyer complètement le tambour avec un linge humide.
3. Faire culbuter une charge de linge ou de serviettes propres pour sécher le tambour.

REMARQUE : Les vêtements contenant des teintures instables, tels que jeans en denim ou articles en coton de couleur vive, peuvent décolorer l'intérieur de la sècheuse. Ces taches ne sont pas nocives pour votre sècheuse et ne tacheront pas les vêtements des charges futures. Faire sécher les articles fabriqués d'une teinture instable en les tournant à l'envers pour éviter le transfert de la teinture.

Retrait de la charpie accumulée

De l'intérieur de la caisse de la sècheuse

Retirer la charpie tous les 2 ans, ou plus souvent, selon l'utilisation de la sècheuse. Le nettoyage doit être effectué par une personne qualifiée.

Du conduit d'évacuation

Retirer la charpie tous les 2 ans, ou plus souvent, selon l'utilisation de la sècheuse.

Tuyaux d'arrivée d'eau

Remplacer les tuyaux d'arrivée d'eau après 5 ans d'utilisation pour réduire le risque de défaillance intempestive. Inspecter périodiquement les tuyaux; les remplacer en cas de renflement, de déformation, de coupure et d'usure ou si une fuite se manifeste.

Lors du remplacement des tuyaux d'arrivée d'eau, inscrire la date du remplacement.

Précautions à prendre avant les vacances, un entreposage ou un déménagement

Installer et ranger votre sècheuse à l'abri du gel. L'eau qui peut rester dans les tuyaux risque d'abîmer la sècheuse en temps de gel. Si la sècheuse doit faire l'objet d'un déménagement ou de remisage au cours d'une période de gel, préparer l'appareil pour l'hiver.

Entretien en cas de non-utilisation ou de période de vacances

On ne doit faire fonctionner la sècheuse que lorsqu'on est présent. Si l'utilisateur doit partir en vacances ou n'utilise pas la sècheuse pendant une période prolongée, il convient d'exécuter les opérations suivantes :

1. Débrancher la sècheuse ou déconnecter la source de courant électrique.
2. Fermer le robinet d'arrêt de la canalisation de gaz.
3. Nettoyer le filtre à charpie. Voir "Nettoyage du filtre à charpie".
4. Fermer l'alimentation d'eau de la sècheuse. Ceci aide à éviter les inondations accidentelles (dus à une augmentation de la pression) quand vous êtes absent.

Préparation de la sècheuse pour l'hiver :

1. Débrancher la sècheuse ou déconnecter la source de courant électrique.
2. Fermer les robinets d'eau.
3. Fermer le robinet d'arrêt de la canalisation de gaz.
4. Débrancher les tuyaux d'arrivée d'eau des robinets et les vider.

Remise en marche de la sècheuse

1. Vidanger les canalisations d'eau. Reconnecter les tuyaux d'arrivée d'eau aux robinets. Ouvrir les robinets d'eau.
2. Brancher la sècheuse ou reconnecter la source de courant électrique.
3. Ouvrir le robinet à la canalisation de gaz.

Précautions à prendre avant un déménagement

1. Débrancher le cordon d'alimentation électrique.
2. Fermer les robinets d'eau.
3. Déconnecter les tuyaux d'arrivée d'eau des robinets puis vidanger le tuyau. Transporter le tuyau séparément.
4. Fermer le robinet d'arrêt de la canalisation de gaz.
5. Débrancher le tuyau de la canalisation de gaz et retirer les raccords fixés sur le tuyau de la sècheuse.
6. Recouvrir la canalisation de gaz ouverte.
7. Veiller à ce que les pieds de nivellement soient fixés solidement à la base de la sècheuse.
8. Utiliser du ruban adhésif de masquage pour fixer la porte de la sècheuse.

Réinstaller la sècheuse

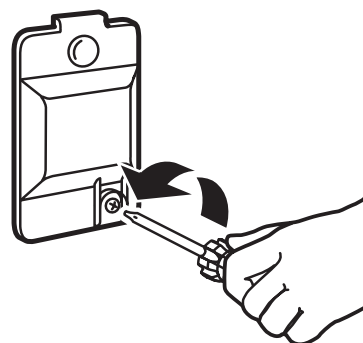
Suivre les "Instructions d'installation" pour choisir l'emplacement, régler l'aplomb de la sècheuse et la raccorder.

Changement de l'ampoule d'éclairage du tambour

La lumière de la sècheuse s'allume automatiquement à l'intérieur du tambour lorsqu'on ouvre la porte.

Changement de l'ampoule du tambour

1. Débrancher la sècheuse ou déconnecter la source de courant électrique.
2. Ouvrir la porte de la sècheuse. Trouver le couvercle de l'ampoule d'éclairage sur la paroi arrière de la sècheuse. Enlever la vis située au coin inférieur droit du couvercle. Enlever le couvercle.



3. Tourner l'ampoule dans le sens antihoraire. Remplacer l'ampoule seulement par une ampoule de 10 watts pour appareil électroménager. Réinstaller le couvercle et le fixer avec la vis.
4. Brancher la sècheuse ou reconnecter la source de courant électrique.

DÉPANNAGE

Essayer d'abord les solutions suggérées ici ou visiter notre site Web et consulter notre FAQ (Foire aux questions), pour éventuellement éviter le coût d'une visite de service...www.whirlpool.ca

Fonctionnement de la sècheuse

Le sècheuse ne fonctionne pas

- **Un fusible est-il grillé ou le disjoncteur s'est-il déclenché?**
Remplacer le fusible ou réenclencher le disjoncteur. Si le problème persiste, appeler un électricien.
- **A-t-on utilisé un fusible ordinaire?**
Utiliser un fusible temporisé.
- **La porte de la sècheuse est-elle bien fermée?**
- **A-t-on bien enfoncé le bouton Start (mise en marche)?**
Pour les charges importantes, il peut être nécessaire d'appuyer sur le bouton Start pendant 2 à 5 secondes.

Absence de chaleur

- **Un fusible est-il grillé ou le disjoncteur s'est-il déclenché?**
Le tambour peut tourner, mais sans chaleur. Remplacer le fusible ou réenclencher le disjoncteur. Si le problème persiste, appeler un électricien.
- **Le robinet du conduit d'alimentation en gaz est-il ouvert?**

Sons inhabituels

- **La sècheuse est-elle restée hors service pendant un certain temps?**
Si la sècheuse n'a pas été utilisée depuis quelque temps, il est possible qu'elle émette des bruits saccadés au cours des premières minutes de fonctionnement.
- **Une pièce de monnaie, un bouton ou un trombone sont-ils coincés entre le tambour et l'avant ou l'arrière de la sècheuse?**
Vérifier les bords avant et arrière du tambour pour voir si de petits objets y sont coincés. Vider les poches avant le lavage.
- **S'agit-il d'une sècheuse à gaz?**
Le déclic du robinet de gaz est un bruit de fonctionnement normal.
- **Les quatre pieds sont-ils installés et la sècheuse est-elle d'aplomb de l'avant vers l'arrière et transversalement?**
La sècheuse peut vibrer si elle n'est pas correctement installée. Voir les instructions d'installation.
- **Les vêtements sont-ils emmêlés ou en boule?**
Une charge en boule rebondit, ce qui fait vibrer la sècheuse. Séparer les articles de la charge et remettre la sècheuse en marche.

La sècheuse affiche un message codé

- **“PF” (panne de courant), vérifier ce qui suit :**
Le programme de séchage a-t-il été interrompu par une panne de courant? Appuyer sans relâcher sur START pour remettre la sècheuse en marche.
- **Code de service “F” et variantes (F1, F2, F20, etc.) :**
Faire un appel de service.

Résultats de la sècheuse

Le séchage des vêtements n'est pas satisfaisant, les durées de séchage sont trop longues ou la charge est trop chaude

- **Le filtre à charpie est-il obstrué de charpie?**
Le filtre à charpie doit être nettoyé avant chaque charge.

⚠ AVERTISSEMENT



Risque d'incendie

Utiliser un conduit d'évacuation en métal lourd.
Ne pas utiliser un conduit d'évacuation en plastique.
Ne pas utiliser un conduit d'évacuation en feuille de métal.
Le non-respect de ces instructions peut causer un décès ou un incendie.

- **Le conduit d'évacuation ou le clapet d'évacuation à l'extérieur est-il obstrué de charpie, restreignant le mouvement de l'air?**
Faire fonctionner la sècheuse pendant 5 à 10 minutes. Tenir la main sous le clapet d'évacuation à l'extérieur pour vérifier le mouvement de l'air. Si vous ne ressentez pas de l'air en mouvement, nettoyer le système d'évacuation ou remplacer le conduit d'évacuation par un conduit en métal lourd ou flexible. Voir les instructions d'installation.
- **Des feuilles d'assouplissant de tissu bloquent-elles la grille de sortie?**
Utiliser une seule feuille d'assouplissant par charge et l'utiliser une seule fois.
- **Le conduit d'évacuation a-t-il la longueur appropriée?**
Vérifier que le conduit d'évacuation n'est pas trop long ou ne comporte pas trop de changements de direction. Un long conduit augmentera les durées de séchage. Voir les instructions d'installation.
- **Le diamètre du conduit d'évacuation a-t-il la taille correcte?**
Utiliser un conduit d'évacuation de 102 mm (4") de diamètre.

⚠ AVERTISSEMENT



Risque d'explosion

Garder les matières et les vapeurs inflammables, telle que l'essence, loin de la sècheuse.

Placer la sècheuse au moins 460 mm (18 po) au-dessus du plancher pour une installation dans un garage.

Le non-respect de ces instructions peut causer un décès, une explosion ou un incendie.

- **La sècheuse se trouve-t-elle dans une pièce où la température ambiante est inférieure à 7°C (45°F)?**
Le bon fonctionnement des programmes de la sècheuse nécessite une température ambiante supérieure à 7°C (45°F).
- **La sècheuse est-elle installée dans un placard?**
Les portes du placard doivent comporter des ouvertures d'aération au sommet et en bas de la porte. Un espace de 140 mm (5½") est nécessaire à l'arrière de la sècheuse et un espace de 25 mm (1") minimum est nécessaire sur les côtés et à l'avant de la sècheuse. Voir les instructions d'installation.
- **Le modificateur Air Only (air seulement) a-t-il été sélectionné?**
Choisir la température appropriée aux types de vêtements à sécher. Voir “Modificateurs”.
- **La charge est-elle trop grosse et trop lourde pour sécher rapidement?**
Séparer la charge pour qu'elle culbute librement.
- **À la fin du programme Quick Refresh (rafraîchissement rapide), les vêtements sont-ils humides ou tachés d'eau?**
Dans certaines conditions d'environnement ou d'installation, le séchage peut être médiocre. Sélectionner le programme de séchage minuté (durée par défaut : 20 minutes), qui peut être personnalisé en choisissant la température et en appuyant sur TEMP et/ou la durée du programme en appuyant sur les touches vers le haut ou vers le bas Time Adjust (réglage de la durée).

Temps de programme trop court

⚠ AVERTISSEMENT

Risque du poids excessif

Utiliser deux ou plus de personnes pour déplacer et installer la sècheuse.

Le non-respect de cette instruction peut causer une blessure au dos ou d'autre blessure.

- **Le programme automatique se termine-t-il trop tôt?**
La charge n'est peut-être pas en contact avec les bandes de détection. Régler l'aplomb de la sècheuse.
Modifier le réglage de degré de séchage pour les programmes automatiques. L'augmentation ou la diminution du degré de séchage modifiera la durée de séchage d'un programme.

Charpie sur la charge

- **Le filtre à charpie est-il obstrué?**
Nettoyer le filtre à charpie. Vérifier le mouvement de l'air.

Taches sur la charge ou sur le tambour

- **L'assouplissant de tissu pour sècheuse a-t-il été utilisé correctement?**
Ajouter les feuilles d'assouplissant de tissu au début du programme. Les feuilles d'assouplissant de tissu ajoutées à une charge partiellement sèche peuvent tacher les vêtements. Ne pas utiliser de feuilles d'assouplissant de tissu dans les programmes Enhanced Touch Up (retouche améliorée) et Quick Refresh (rafraîchissement rapide).

Les taches sur le tambour sont dues aux teintures contenues dans les vêtements (les jeans en général). Il n'y aura pas de transfert sur les autres vêtements.

Charges froissées

- **La charge a-t-elle été retirée de la sècheuse à la fin du programme?**
Sélectionner le programme Enhanced Touch Up (retouche améliorée) pour faire culbuter la charge avec eau et chaleur pour aider à aplanir les faux plis d'une charge laissée dans la sècheuse.
- **La sècheuse a-t-elle été surchargée?**
Faire sécher de plus petites charges qui peuvent culbuter librement. On obtient de meilleurs résultats lorsque l'on utilise de plus petites charges de 1 à 4 vêtements avec le programme Quick Refresh (rafraîchissement rapide). Les résultats varient en fonction du tissu. Ce programme aide à aplanir les faux plis et à réduire les odeurs des charges de coton anti-froissement, mélanges de coton et polyester, tricots ordinaires et vêtements en tissu synthétique.

- **Charge toujours froissée après un programme SteamCare (soin à la vapeur)?**

S'assurer que l'alimentation en eau est connectée à la sècheuse. Vérifier que le conduit d'alimentation en eau est branché au robinet et à la vanne d'alimentation en eau de la sècheuse. Vérifier que l'alimentation en eau est ouverte. Ce programme est idéal pour réduire les plis et les odeurs sur des charges de coton anti-froissement, mélanges de coton et polyester, tricots ordinaires et vêtements en synthétique.

REMARQUE : Se référer aux instructions figurant sur l'étiquette des vêtements. Il n'est pas recommandé de sécher les vêtements nécessitant un nettoyage à sec uniquement.

Odeurs

- **Avez-vous récemment employé peinture, teinture ou vernis dans la pièce où est installée votre sècheuse?**
Si c'est le cas, aérer la pièce. Une fois les odeurs ou émanations disparues, laver et sécher à nouveau les vêtements.
- **La sècheuse est-elle connectée à l'alimentation en eau?**
Vérifier que le tuyau d'arrivée d'eau est connecté au robinet d'eau et au tuyau d'alimentation en eau de la sècheuse. Vérifier que l'alimentation en eau est ouverte.
- Pour retirer les odeurs laissées sur les vêtements après les avoir portés, sélectionner le programme Quick Refresh (rafraîchissement rapide) pour les petites charges de un à quatre vêtements. Ce programme est idéal pour réduire les plis et les odeurs sur des charges de coton anti-froissement, mélanges de coton et polyester, tricots ordinaires et vêtements en synthétique.

ASSISTANCE OU SERVICE

Avant de faire un appel pour assistance ou service, veuillez vérifier la section "Dépannage". Cette vérification peut vous faire économiser le coût d'une visite de réparation. Si vous avez encore besoin d'aide, suivre les instructions ci-dessous.

Lors d'un appel, veuillez connaître la date d'achat et les numéros au complet de modèle et de série de votre appareil. Ces renseignements nous aideront à mieux répondre à votre demande.

Si vous avez besoin de pièces de rechange

Si vous avez besoin de commander des pièces de rechange, nous vous recommandons d'utiliser seulement des pièces spécifiées par l'usine FSP®. Ces pièces conviendront et fonctionneront bien parce qu'elles sont fabriquées selon les mêmes spécifications précises utilisées pour construire chaque nouvel appareil WHIRLPOOL®.

Pour trouver des pièces de rechange FSP® dans votre région :

Appeler au **1-800-807-6777** ou téléphoner à votre Centre pour l'eXpérience de la clientèle désigné le plus proche.

Téléphoner sans frais au Centre d'eXpérience avec la clientèle de Whirlpool Canada LP au : **1-800-807-6777** ou consulter notre site Internet **www.whirlpool.ca**.

Nos consultants fournissent l'assistance pour :

- Caractéristiques et spécifications de notre gamme complète d'appareils électroménagers.
- Procédés d'utilisation et d'entretien.
- Vente d'accessoires et de pièces de rechange.
- Les références aux concessionnaires, compagnies de service de réparation et distributeurs de pièces de rechange locaux. Les techniciens de service désignés par Whirlpool Canada LP sont formés pour remplir la garantie des produits et fournir un service après la garantie, partout au Canada.

Pour plus d'assistance

Si vous avez besoin de plus d'assistance, vous pouvez écrire à Whirlpool Canada LP en soumettant toute question ou tout problème au :

Centre pour l'eXpérience de la clientèle
Whirlpool Canada LP
1901 Minnesota Court
Mississauga, Ontario L5N 3A7

Dans votre correspondance, veuillez indiquer un numéro de téléphone où on peut vous joindre dans la journée.

ACCESSOIRES

Vous pouvez faciliter l'utilisation de votre sècheuse avec ces accessoires de première qualité.

Pour la commande de divers articles de qualité, composez le 1-800-901-2042 ou consultez le site www.whirlpool.com/accessories. Au Canada, composez le **1-800-807-6777** ou consultez le site Internet **www.whirlpoolparts.ca**.

Produit numéro	Accessoire
20-48KITRC	Connecteur 4 pi (1,2 m) pour sècheuse à gaz – ensemble d'installation
PT220L	Cordon d'alimentation, 3 conducteurs, 30 A, 4 pi (1,2 m) pour sècheuse
PT400L	Cordon d'alimentation, 4 conducteurs, 30 A, 4 pi (1,2 m) pour sècheuse
PT600L	Cordon d'alimentation, 4 conducteurs, 30 A, 6 pi (1,8 m) pour sècheuse
8212614	Brosse à charpie pour conduit d'évacuation de sècheuse
31682	Produit de nettoyage polyvalent pour appareils ménagers
1903WH	Casier de rangement de fournitures de buanderie
49572	Ensemble de conversion pour gaz propane
W10071550A	Grille de séchage
W10044609A	Ensemble tuyau vapeur

GARANTIE DES APPAREILS DE BUANDERIE DE WHIRLPOOL CORPORATION

GARANTIE LIMITÉE

Pendant un an à compter de la date d'achat, lorsque ce gros appareil ménager est utilisé et entretenu conformément aux instructions jointes à ou fournies avec le produit, Whirlpool Corporation ou Whirlpool Canada LP (ci-après désignées "Whirlpool") paiera pour les pièces spécifiées par l'usine et la main-d'œuvre pour corriger les vices de matériaux ou de fabrication qui existaient déjà lorsque ce gros appareil ménager a été acheté. Le service doit être fourni par une compagnie de service désignée par Whirlpool. LE SEUL ET EXCLUSIF RECOURS DU CLIENT DANS LE CADRE DE LA PRÉSENTE GARANTIE LIMITÉE CONSISTE EN LA RÉPARATION PRÉVUE CI-DESSUS. Cette garantie limitée est valide uniquement aux États-Unis ou au Canada et s'applique exclusivement lorsque le gros appareil ménager est utilisé dans le pays où il a été acheté. Une preuve de la date d'achat d'origine est exigée pour obtenir un service dans le cadre de la présente garantie limitée.

ÉLÉMENTS EXCLUS DE LA GARANTIE

La présente garantie limitée ne couvre pas :

1. Les pièces de rechange ou la main-d'œuvre lorsque ce gros appareil ménager est utilisé à des fins autres que l'usage unifamilial normal ou lorsque les instructions d'installation et/ou les instructions de l'opérateur ou de l'utilisateur fournies ne sont pas respectées.
2. Les visites de service pour rectifier l'installation du gros appareil ménager, montrer à l'utilisateur comment utiliser l'appareil, remplacer ou réparer des fusibles ou rectifier le câblage ou la plomberie du domicile.
3. Les visites de service pour réparer ou remplacer les ampoules électriques, les filtres à air ou les filtres à eau de l'appareil. Les pièces consommables ne sont pas couvertes par la garantie.
4. Les dommages imputables à : accident, modification, usage impropre ou abusif, incendie, inondation, actes de Dieu, installation fautive ou installation non conforme aux codes d'électricité ou de plomberie, ou l'utilisation de produits non approuvés par Whirlpool.
5. Les défauts apparents, notamment les éraflures, les bosses, fissures ou tout autre dommage au fini du gros appareil ménager, à moins que ces dommages soient dus à des vices de matériaux ou de fabrication et soient signalés à Whirlpool dans les 30 jours suivant la date d'achat.
6. L'enlèvement et la livraison. Ce gros appareil ménager est conçu pour être réparé à domicile.
7. Les réparations aux pièces ou systèmes résultant d'une modification non autorisée faite à l'appareil.
8. Les frais de déplacement et de transport pour le service d'un produit si votre gros appareil ménager est situé dans une région éloignée où un service d'entretien Whirlpool autorisé n'est pas disponible.
9. La dépose et la réinstallation de votre gros appareil ménager si celui-ci est installé dans un endroit inaccessible ou n'est pas installé conformément aux instructions d'installation fournies par Whirlpool.
10. Les pièces de rechange ou la main-d'œuvre pour les gros appareils ménagers dont les numéros de série et de modèle originaux ont été enlevés, modifiés ou qui ne peuvent pas être facilement identifiés.

CLAUSE D'EXONÉRATION DE RESPONSABILITÉ AU TITRE DES GARANTIES IMPLICITES

LES GARANTIES IMPLICITES, Y COMPRIS LES GARANTIES APPLICABLES DE QUALITÉ MARCHANDE OU D'APTITUDE À UN USAGE PARTICULIER, SONT LIMITÉES À UN AN OU À LA PLUS COURTE PÉRIODE AUTORISÉE PAR LA LOI. Certains États et certaines provinces ne permettent pas de limitation sur la durée de garanties implicites de qualité marchande ou d'aptitude à un usage particulier, de sorte que la limitation ci-dessus peut ne pas être applicable dans votre cas. Cette garantie vous confère des droits juridiques spécifiques, et vous pouvez également jouir d'autres droits qui peuvent varier d'une juridiction à l'autre.

LIMITATION DES RECOURS, EXCLUSION DES DOMMAGES FORTUITS OU INDIRECTS

LE SEUL ET EXCLUSIF RECOURS DU CLIENT DANS LE CADRE DE LA PRÉSENTE GARANTIE LIMITÉE CONSISTE EN LA RÉPARATION PRÉVUE CI-DESSUS. WHIRLPOOL N'ASSUME AUCUNE RESPONSABILITÉ POUR LES DOMMAGES FORTUITS OU INDIRECTS. Certains États et certaines provinces ne permettent pas l'exclusion ou la limitation des dommages fortuits ou indirects de sorte que ces limitations et exclusions peuvent ne pas être applicables dans votre cas. Cette garantie vous confère des droits juridiques spécifiques, et vous pouvez également jouir d'autres droits qui peuvent varier d'une juridiction à l'autre.

Si vous résidez à l'extérieur du Canada et des 50 États des États-Unis, contactez votre marchand Whirlpool autorisé pour déterminer si une autre garantie s'applique.

Si vous avez besoin d'un service de réparation, voir d'abord la section "Dépannage" du Guide d'utilisation et d'entretien. Si vous n'êtes pas en mesure de résoudre le problème après avoir consulté la section "Dépannage", vous pouvez trouver de l'aide supplémentaire en consultant la section "Assistance ou Service" ou en appelant Whirlpool. Aux É.-U., composer le **1-800-253-1301**. Au Canada, composer le **1-800-807-6777**.

7/08

Conservez ce manuel et votre reçu de vente ensemble pour référence ultérieure. Pour le service sous garantie, vous devez présenter un document prouvant la date d'achat ou d'installation.

Inscrivez les renseignements suivants au sujet de votre gros appareil ménager pour mieux vous aider à obtenir assistance ou service en cas de besoin. Vous devrez connaître le numéro de modèle et le numéro de série au complet. Vous trouverez ces renseignements sur la plaque signalétique située sur le produit.

Nom du marchand _____

Adresse _____

Numéro de téléphone _____

Numéro de modèle _____

Numéro de série _____

Date d'achat _____

W10164752C

© 2010 Whirlpool Corporation.
All rights reserved.
Tous droits réservés.

® Registered Trademark/TM Trademark of Whirlpool, U.S.A.,
Whirlpool Canada LP Licensee in Canada
® Marque déposée/TM Marque de commerce de Whirlpool, U.S.A.,
emploi sous licence par Whirlpool Canada LP au Canada

1/10
Printed in U.S.A.
Imprimé aux É.-U.