



## Top-Loading Washer

### PRODUCT MODEL NUMBERS

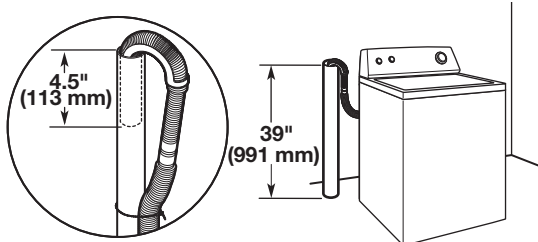
WTW5100V, WTW5200V, WTW5300V,  
WTW5505V, WTW5590V, WTW57ESV,  
WTW58ESV, WTW5600V, WTW5310V,  
WTW5510V

**Electrical:** A 120 volt, 60 Hz., AC only, 15- or 20-amp, fused electrical supply is required. A time-delay fuse or circuit breaker is recommended. It is recommended that a separate circuit serving only this washer be provided.

### DRAIN SYSTEM

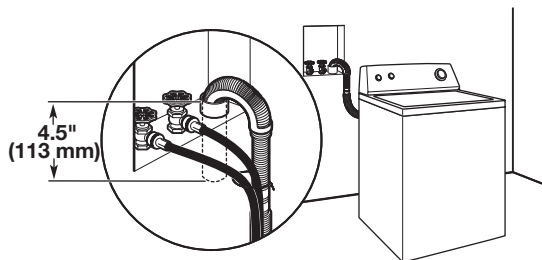
Drain system can be installed using a floor drain, wall standpipe, floor standpipe, or laundry tub. Select method you need.

#### Floor standpipe drain system



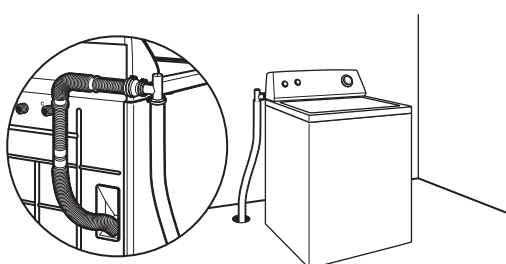
Minimum diameter for a standpipe drain: 2" (51 mm). Minimum carry-away capacity: 17 gal. (64 L) per minute. Some standpipes may require a Standpipe Adapter Kit and additional drain hose that may be purchased separately. See "Tools and Parts". Top of standpipe must be at least 39" (991 mm) high; install no higher than 96" (2.4 m) from bottom of washer. Installations higher than 96" (2.4 m) require a sump pump system.

#### Wall standpipe drain system



See requirements for floor standpipe drain system.

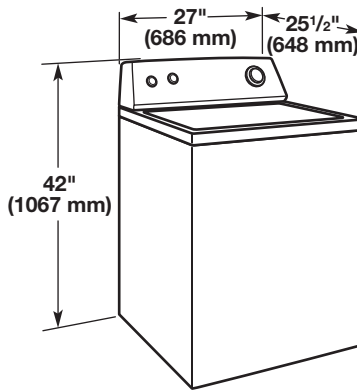
#### Floor drain system



Floor drain system requires a Siphon Break Kit and additional drain hose that may be purchased separately. See "Tools and Parts". Minimum siphon break: 28" (711 mm) from bottom of washer. (Additional hoses might be needed.)

### OVERALL DIMENSIONS

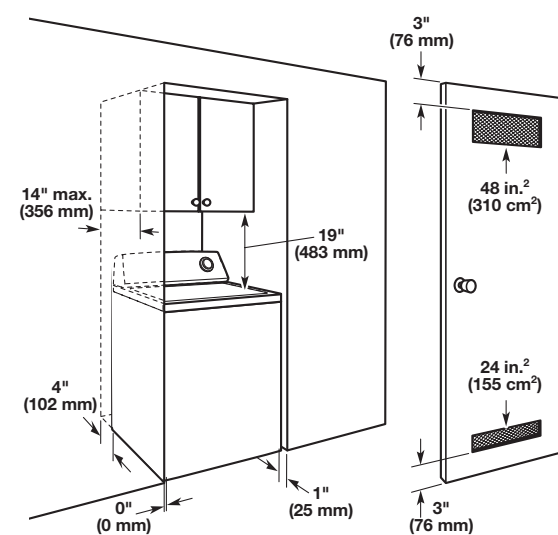
#### Washer dimensions



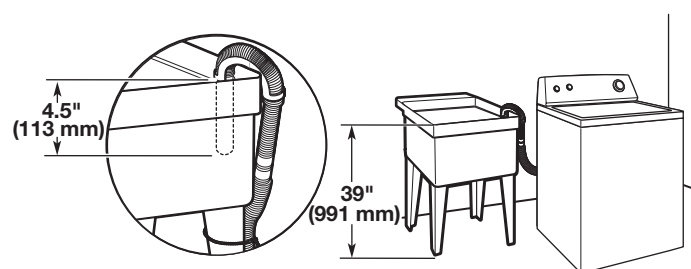
Select proper location for your washer to improve performance and minimize noise and possible "washer walk". Install your washer in a basement, laundry room, closet, or recessed area.

Dimensions show recommended spacing allowed, except for closet door ventilation openings which are minimum required. Consider allowing more space for ease of installation and servicing, spacing for companion appliances and clearances for walls, doors, and floor moldings. Add spacing of 1" (25 mm) on all sides of washer to reduce noise transfer. If a closet door or louvered door is installed, top and bottom air openings in door are required.

#### Recessed area or closet installation



#### Laundry tub drain system



Minimum capacity: 20 gal. (76 L). Top of laundry tub must be at least 39" (991 mm) above floor; install no higher than 96" (2.4 m) from bottom of washer.

**IMPORTANT:** To avoid siphoning, no more than 4.5" (113 mm) of drain hose should be inside standpipe or below the top of wash tub. Secure drain hose with removable tie strap (A).