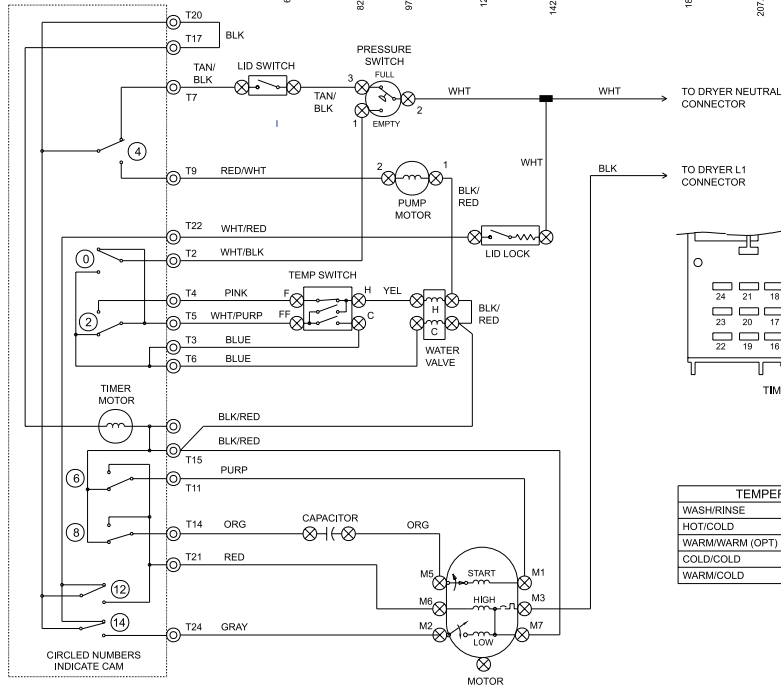
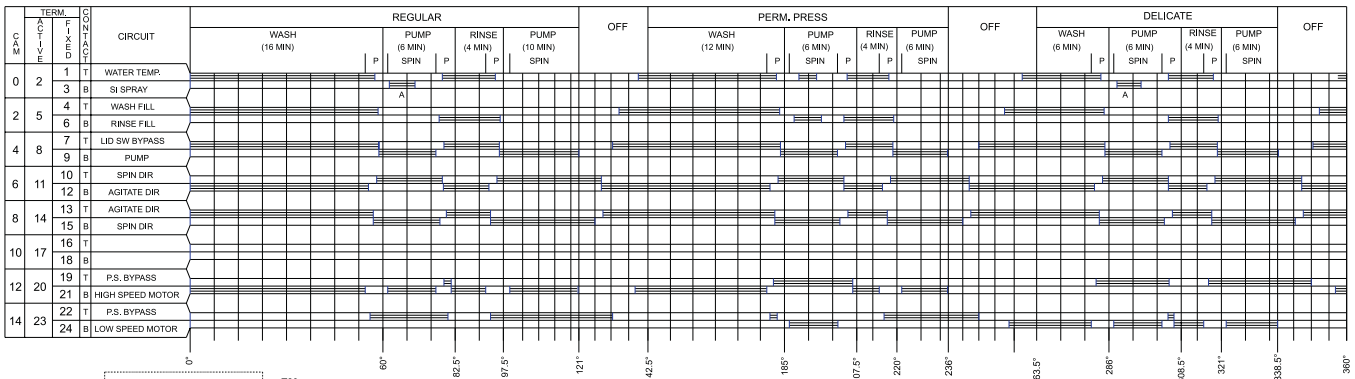
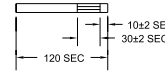


CAUTION: DISCONNECT ELECTRIC CURRENT BEFORE SERVICING



WASHER TIMER

SUBINTERVAL SPRAY DETAIL



SPRAY TO OCCUR DURING THE INDICATED INTERVAL

WIRING CODES

- ⊙ PLUG-IN TIMER
- ⊗ QUICK DISCONNECT TERMINAL
- CONNECTION
- ⊕ NO CONNECTION
- ⚡ MOTOR SWITCH
- SPLICE
- ⚡ MOTOR PROTECTOR
- ⊕ CHASSIS (CABINET) GROUND
- ⊙ SCREW TERMINAL
- HARNESS CONNECTOR TERMINAL
- ⊗ INSULATED TERMINAL

TEMPERATURE SWITCH CIRCUIT

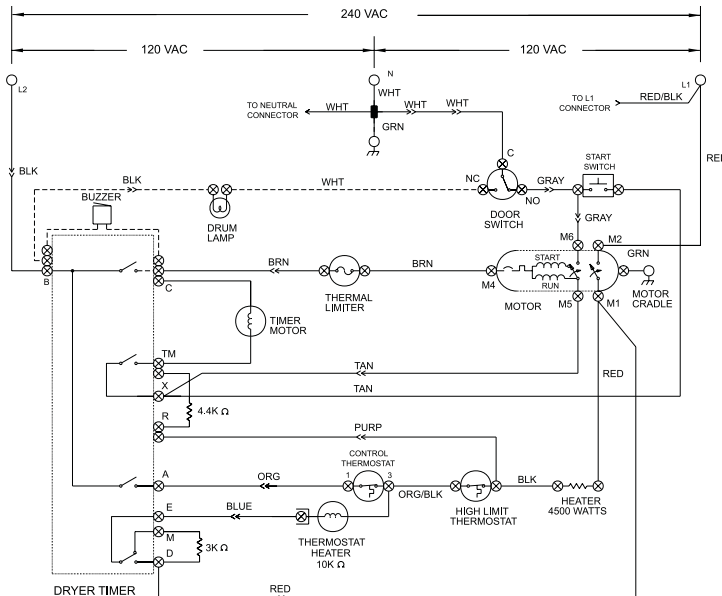
WASH/RINSE	F-H	FF-H	FF-C
HOT/COLD	X	O	O
WARM/WARM (OPT)	O	X	X
COLD/COLD	O	O	X
WARM/COLD	X	O	X

O=OPEN
X=CLOSED

- NOTES:
- ALL WIRING MUST CONFORM TO LOCAL ELECTRICAL CODES.
 - DRYER TIMER SHOWN IN OFF POSITION DOOR SWITCH CLOSED, MOTOR AT REST, A THERMOSTAT CLOSED.
 - WASHER TIMER SHOWN IN ON POSITION DOOR SWITCH CLOSED, MOTOR AT REST, A THERMOSTAT CLOSED.

CYCLES

CIRCUIT	AUTO DRY		OFF	TIMED DRY (MIN)			OFF	KNIT CYCLE			OFF
	38.5	20		106	75	50		25	58.7	40	
HEATER	B-A										
MOTOR	B-C										
TIMER	X-TM										
MEDIUM HEAT	E-M										
LOW HEAT	E-D										



DRYER TIMER

SHADED PORTION OF BAR CHART INDICATES THE PROPORTIONAL TIMES THAT INTERNAL TIMER CONTACTS ARE CLOSED.

BAR CHART ABOVE REPRESENTS ONE COMPLETE REVOLUTION OF TIMER SHAFT.

NOTE: DASHED LINES INDICATE CIRCUITS THAT ARE NOT IN ALL MODELS.

E