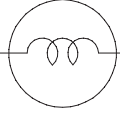


(LINE)

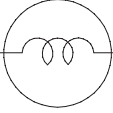
(NEUTRAL)

218663500

GREEN
 RED
 SEE COMPRESSOR WIRING
 WHITE



COND. FAN

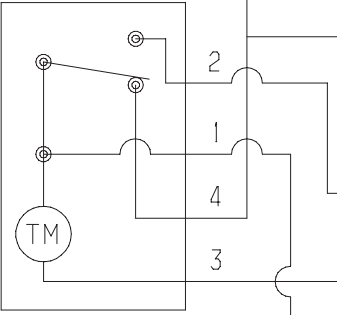


EVAP. FAN

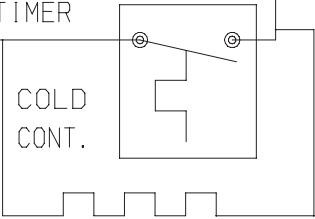
DEFROST THERM.



COIL HEATER

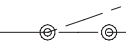


TIMER



COLD CONT.

COLD CONTROL HEATER



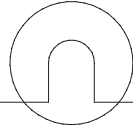
MULLION HTR. SW.



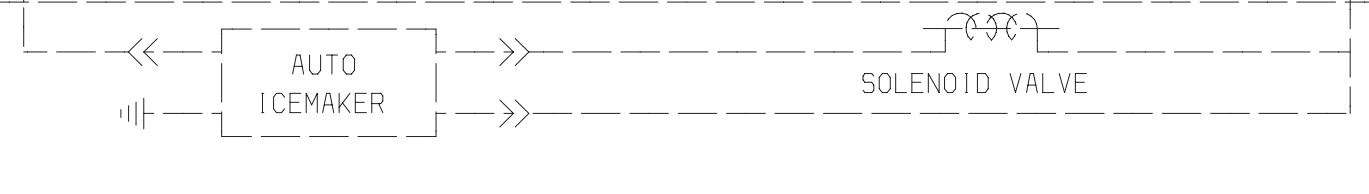
MULLION HTR.



LIGHT SW.

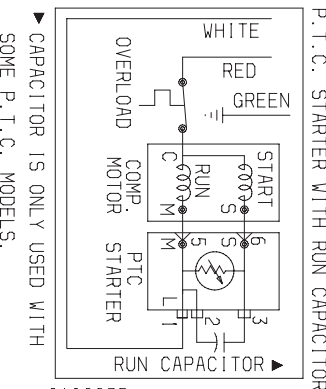
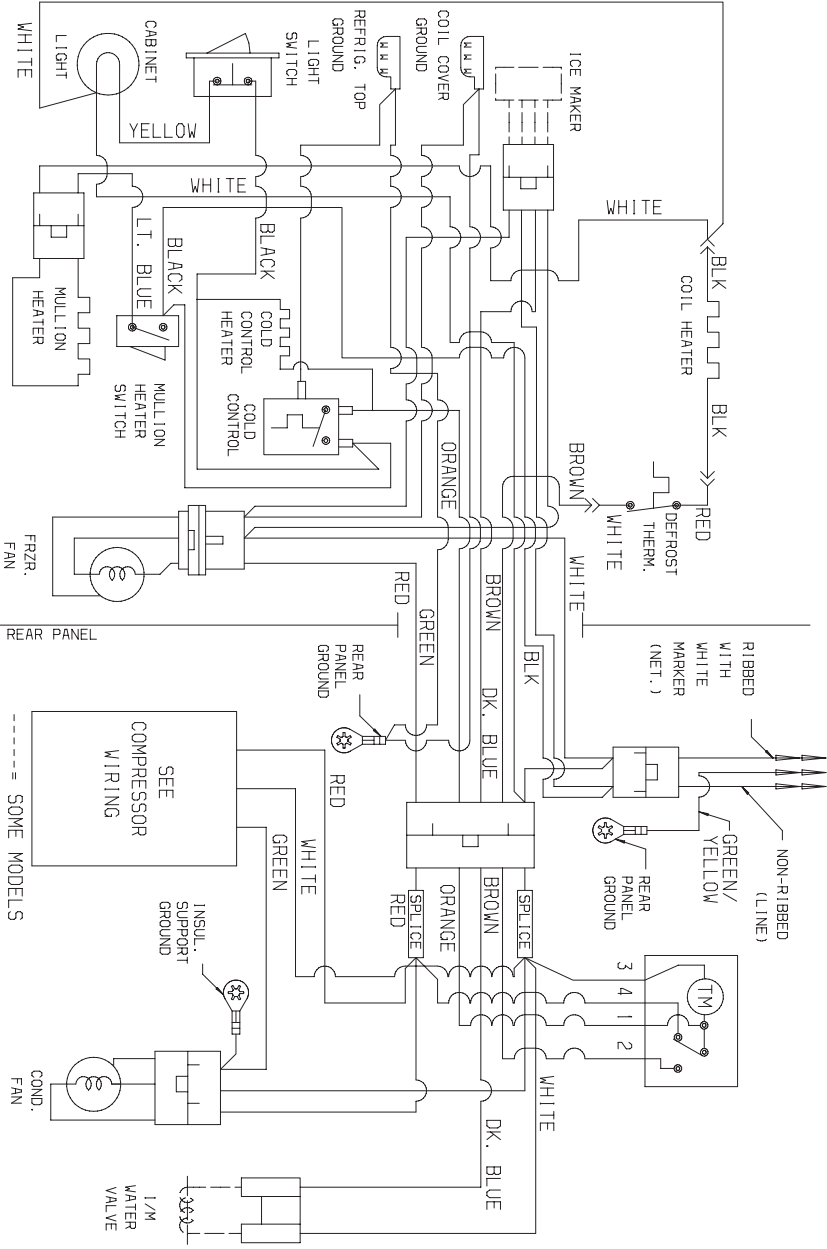


REFRIG. LIGHT



AUTO ICEMAKER

SOLENOID VALVE



▶ CAPACITOR IS ONLY USED WITH SOME P.T.C. MODELS.