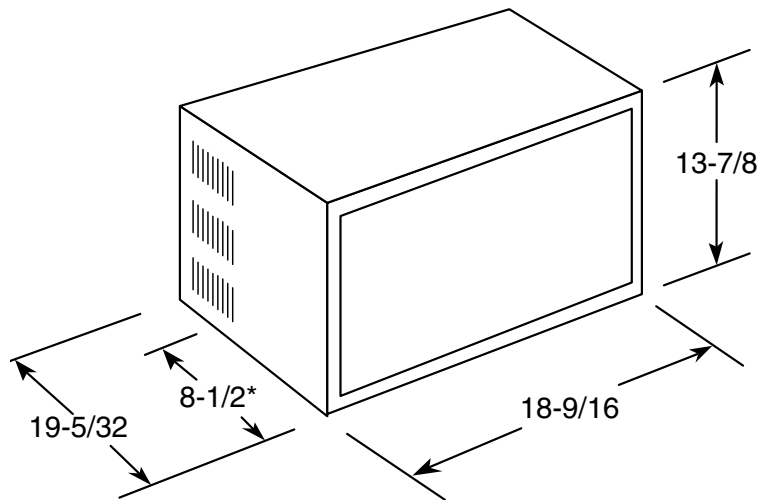




GE Appliances

AGV07LA—GE Value 115 Volt Room Air Conditioner Window Unit

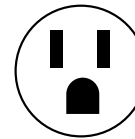
Wall Case Dimensions (in inches)



* Distance from front of case to side louvers (excluding grille).

Note: When installing units in through-the-wall applications, keep louvers free. Do not restrict air flow areas.

Parallel



115V
15 Amp

Wall Outlets: All wiring including installation of receptacle must be made in accordance with local electrical codes and regulations. Electrical outlet should be in reach of line cord.

Note: Aluminum wiring may pose special problems—consult a qualified electrician.

Specification Created 2/00

For answers to your Monogram[®],
GE Profile Performance Series,[™]
GE Profile[™] or GE appliance questions, call
GE Answer Center[®] service, 800.626.2000.



Total capacity and E.E.R. ratings are calculated based on the Association of Home Appliance Manufacturers' standards.



Listed by
Underwriters
Laboratories

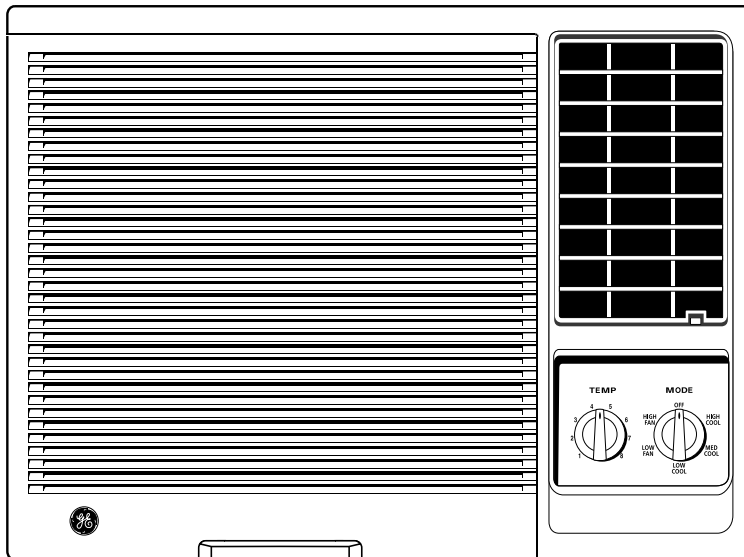


As an ENERGY STAR[®] Partner, GE has determined that this product meets the ENERGY STAR[®] guidelines for energy efficiency.



GE Appliances

AGV07LA—GE Value 115 Volt Room Air Conditioner Window Unit



Features and Benefits

- 7,000 BTUH, 9.7 EER, 115 Volts
- 720 Watts / 6.6 Amps
- 1.8 Dehumidification (pts / hr)
- 8-Position Thermostat
- 3 Cooling / 2 Fan Speeds
- 204 CFM (High)
- EZ Mount Window Installation
- Slide-Out Chassis
- Slide-Out Filter for Easy Cleaning
- Plug Type—Parallel
- Model AGV07LA - Contemporary white