

# Installation Instructions

# Self-Cleaning Dual Fuel Slide-In Range

J2S968

? Questions? Call 800.GE.CARES (800.432.2737) or Visit our Website at: [www.GEAppliances.com](http://www.GEAppliances.com)  
In Canada, call 1.800.361.3400 or Visit our Website at: [www.geappliances.ca](http://www.geappliances.ca)

## IN THE COMMONWEALTH OF MASSACHUSETTS:

- This product must be installed by a licensed plumber or gas fitter.
- When using ball-type gas shut-off valves, they shall be the T-handle type.
- A flexible gas connector, when used, must not exceed 3 feet.

## BEFORE YOU BEGIN

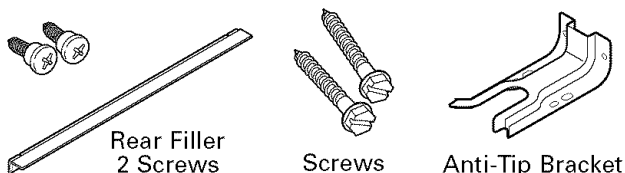
Read these instructions completely and carefully.

- **IMPORTANT** — Save these instructions for local inspector's use.
- **IMPORTANT** — Observe all governing codes and ordinances.
- **Note to Installer** – Be sure to leave these instructions with the Consumer.
- **Note to Consumer** – Keep these instructions for future reference.
- Product failure due to improper installation is not covered under the Warranty.

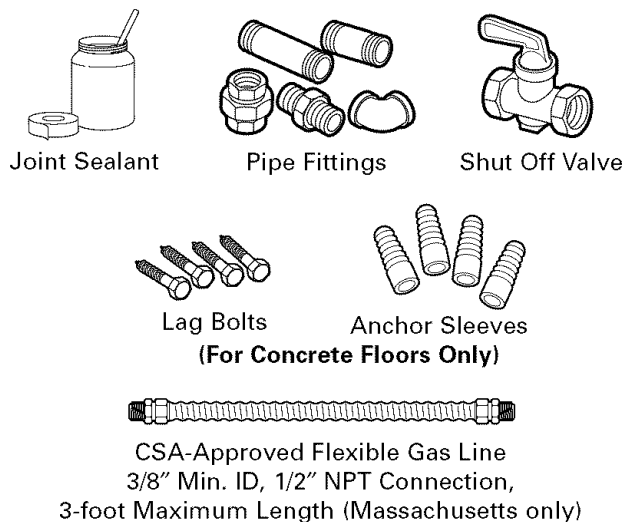
**⚠ WARNING** — This appliance must be properly grounded.

- **Proper installation is the responsibility of the installer and product failure due to improper installation is NOT covered under warranty.**

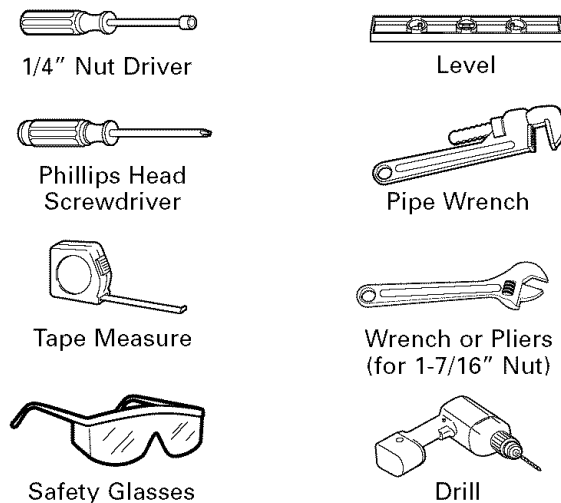
## PARTS INCLUDED



## MATERIALS YOU MAY NEED



## TOOLS YOU WILL NEED



# Installation Instructions

## IMPORTANT SAFETY INSTRUCTIONS

### FOR YOUR SAFETY:

**⚠ WARNING** — If the information in this manual is not followed exactly, a fire, explosion or gas leak may result causing property damage, personal injury or death.

Do not store or use gasoline or other flammable vapors and liquids in the vicinity of this or any other appliance!



### WHAT TO DO IF YOU SMELL GAS:

- Do not try to light any appliance. Do not touch any electrical switch; do not use any phone in your building.
- Immediately call your gas supplier from a neighbor's phone. Follow the gas supplier's instructions.
- If you cannot reach your gas supplier, call the fire department.

Installation and service must be performed by a qualified installer, service agency or the gas supplier.

This range has been design certified by UNDERWRITERS LABORATORIES for use in the United States and Canada. You'll find safety precautions in your Owner's Manual. Read them carefully.

- Installation of this range must conform with local codes or in the absence of local codes with the National Fuel Gas Code, ANSI Z223.1—Latest edition.
- Be sure your range is installed properly by a qualified installer or service technician.
- To eliminate reaching over surface burners, cabinet storage above burner should be avoided.
- Do not install the unit near an outside door or where a draft may affect its use.

# Installation Instructions

## FOR YOUR SAFETY:

**⚠ WARNING** — For personal safety, remove house fuse or open circuit breaker before beginning installation. Failure to do so could result in serious injury or even death.

All rough-in and spacing dimensions must be met for safe use of your range. Electricity to the range can be disconnected at the outlet without moving the range if the outlet is in the preferred location (remove lower drawer).

To reduce the risk of burns or fire when reaching over hot surface elements, cabinet storage space above the cooktop should be avoided. If cabinet storage space is to be provided above the cooktop, the risk can be reduced by installing a range hood that sticks out at least 5" beyond the front of the cabinets. Cabinets installed above a cooktop must be no deeper than 13".

Be sure your appliance is properly installed and grounded by a qualified technician.

## ANTI-TIP DEVICE

**⚠ WARNING** — To reduce the risk of tipping, the appliance must be secured by properly installed Anti-Tip bracket packed with this appliance.

To check if the bracket is installed and engaged properly, carefully tip the range forward. The anti-tip bracket should engage and prevent the range from tipping over.



### ⚠ WARNING —

- All ranges can tip
- Injury to persons could result
- Install Anti-Tip bracket packed with range
- See Installation Instructions



If you pull the range out and away from the wall for any reason, make sure the Anti-Tip bracket is engaged when the range is pushed back against the wall.

## ELECTRICAL REQUIREMENTS

This appliance must be supplied with the proper voltage and frequency and connected to an individual, properly grounded branch circuit, protected by a circuit breaker or fuse having amperage as noted on the rating plate. (Rating plate is located above the storage drawer below the oven frame).

We recommend you have the electrical wiring and hookup of your range connected by a qualified electrician. After installation, have the electrician show you where your main range disconnect is located.

Check with your local utilities for electrical codes which apply in your area. Failure to wire your range according to governing codes could result in a hazardous condition. If there are no codes, your range must be wired and fused to meet the requirements of the National Electrical Code, ANSI/NFPA No. 70—Latest edition. You can get a copy by writing:

National Fire Protection Association  
Batterymarch Park  
Quincy, MA 02269

Effective January 1, 1996, the National Electrical Code requires that new, but not existing, construction utilize a four-conductor connection to an electric range. When installing an electric range in new construction, a mobile home, recreational vehicle or an area where local codes prohibit grounding through the neutral conductor, follow the instructions in the section on NEW CONSTRUCTION AND FOUR-CONDUCTOR BRANCH CIRCUIT CONNECTION.

In Canada your range must be wired and fused to meet the requirements of the Canadian Electrical Code.

You must use a three-wire, single-phase A.C. 208Y/120 Volt or 240/120 Volt, 60 hertz electrical system.

# Installation Instructions

## PRE-INSTALLATION CHECKLIST

### 1 INSPECT INSTALLATION LOCATION

Refer to alternate construction section for the following non-standard installations.

#### A Counter opening extends to the wall:

Maintop Filler (supplied with the range.) (See page 15 for Installation Instructions) or

Backguard (Kit JXS36XX or JXS39SS).

#### B Counter height greater than 36-3/4":

Lower Trim Slide-In (Kit JXS56XX).

#### C One side is not enclosed by a cabinet:

Bodyside (Kit JXS76XX).

#### D Island Installation:

To provide an optimum installation, the top surface of the countertop must be level and flat (lie on the same plane) around the 3 sides that are adjacent to range cooktop. Proper adjustments to make the top flat should be made or gaps between the countertop and range cooktop may occur. Forcing the cooktop to fit may cause excessive gaps and could break the glass and void the warranty.

To obtain Kits:

- Visit GE Web Site (See page 1)
- Call GE Answer Center (See page 1)
- Contact Dealer

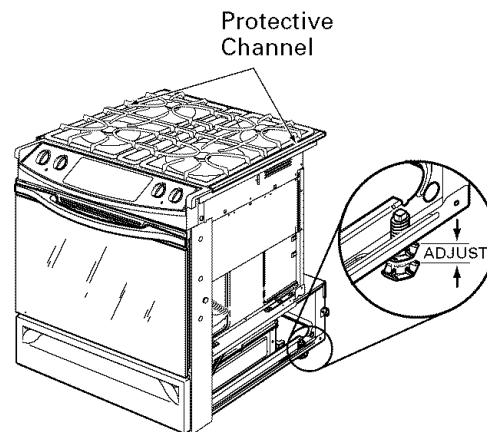
### 2 MOVE RANGE INDOORS IN FRONT OF CABINET OPENING

Do not use hand trucks when moving the unpackaged range. Cooktop glass may be broken.

### 3 PROTECT THE KITCHEN FLOOR

Flatten and place a piece of the shipping carton in front of the installation location to protect the flooring.

**NOTE:** Do not remove the protective channel from the sides of the glass cooktop, if applicable, until later in the installation.



### 4 CAREFULLY, TILT RANGE TO ACCESS RANGE LEVELING LEGS

Use an adjustable wrench to screw leveling legs out so that glass support flanges clear top of countertop.

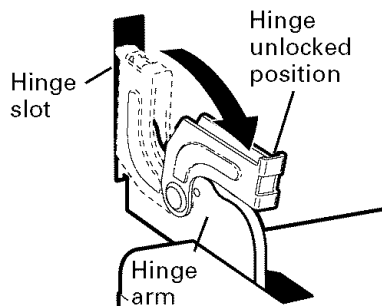
# Installation Instructions

## 5 REMOVE THE DOOR IF NECESSARY

Door removal is not a requirement for installation of the product, but is an added convenience. To remove the door:

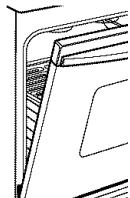
### A UNLOCK HINGES

Push both hinge locks down toward the door frame, to the unlocked position. This may require a flat blade screwdriver.



### B POSITION DOOR

Place hands on both sides of the door, and close the oven door to the removal position. This is half way between the broil stop and fully closed.



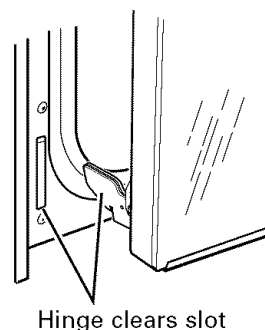
## 5 REMOVE THE DOOR IF NECESSARY (cont.)

### C LIFT OFF DOOR

Lift door up and out until the hinge arms clear the slots.

**DO NOT LIFT THE DOOR BY THE HANDLE.**

**NOTE:** The oven door is very heavy. Be sure you have a firm grip before lifting the oven door off the hinges. Use caution once the door is removed. Do not lay the door on its handle. This could cause dents or scratches.



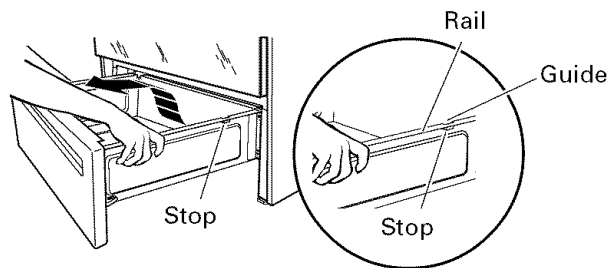
## 6 REMOVE PACKING MATERIALS

Also remove labels on door, plastic on trim and panel and all tape around the range.

## 7 REMOVE STORAGE DRAWER

**A** Pull the drawer out until it stops.

**B** Lift the front of the drawer until the stops clear the guides.



**C** Pull forward and remove the drawer.

# Installation Instructions

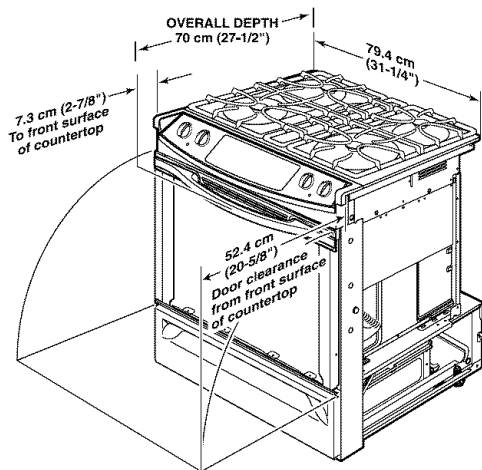
## PRE-INSTALLATION CHECKLIST (CONT.)

### 8 PRE-INSTALLATION CUTOUT AND REQUIRED CLEARANCES

If cabinets are placed less than 30" above the range, see Alternate Construction, Step 25E, on page 18.

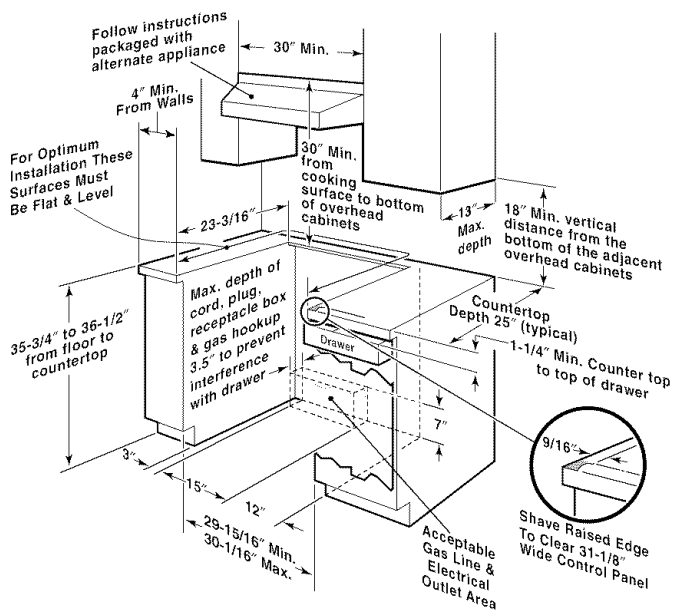
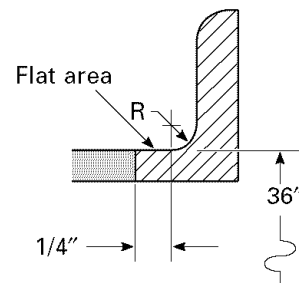
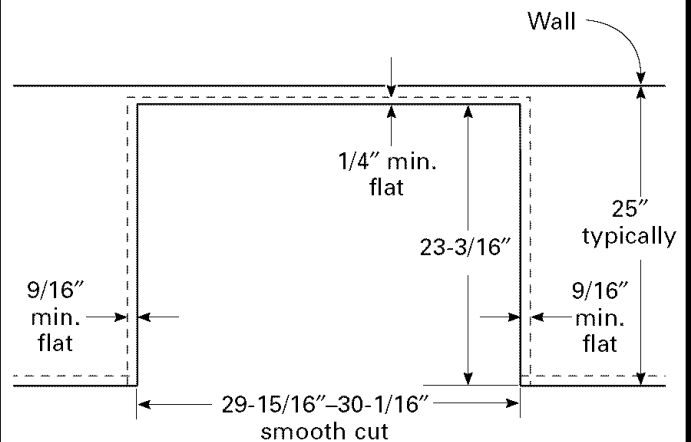
**NOTE:** Product meets UL requirements for 0" clearance to back and side walls.

Wall coverings, counters and cabinets around range must withstand heat (up to 194°F) generated by the range.



### 9 STANDARD INSTALLATION

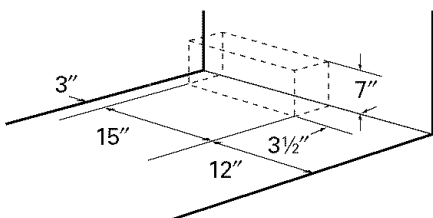
If the construction of your cabinet cannot provide a 1/4" flat area at the back of the countertop opening, consider changing the countertop to accommodate this dimension. See Alternate Construction section. If the area is not flat, excess tension may be applied to the glass cooktop, causing breakage and voiding the warranty.



# Installation Instructions

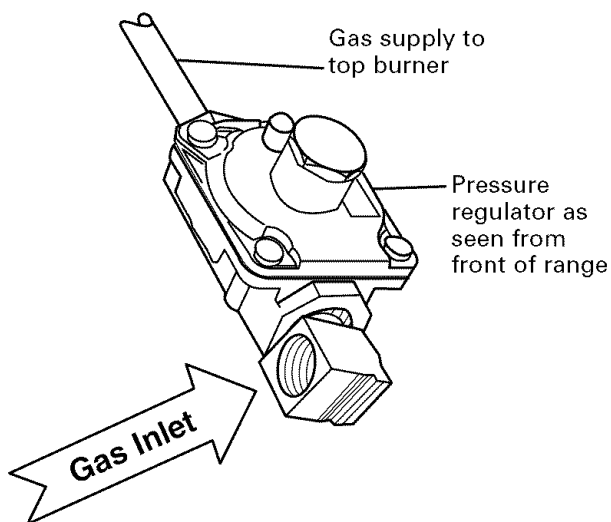
## GAS CONNECTIONS

### 10 MAKING THE CONNECTIONS



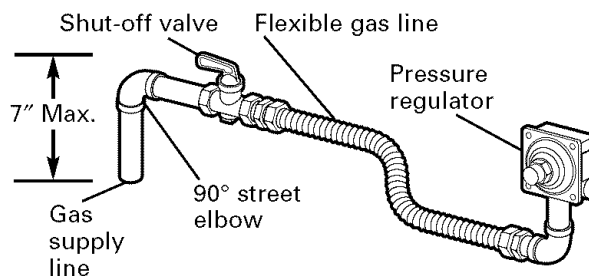
- A** Install a manual shut-off valve in the gas supply line in an easily accessible location.
- B** Know how and where to shut off the gas supply to the range.
- C** Shut off gas supply before removing an old range. Leave it off until hookup of new range is finished.
- D** Because solid pipe restricts moving the range, we recommend use of a C.S.A. certified flexible metal appliance connector.

**⚠ WARNING:** Never reuse old flexible connectors. The use of old flexible connectors can cause gas leaks and personal injury. Always use new flexible connectors when installing a gas appliance.



### 10 MAKING THE CONNECTIONS (cont.)

- E** Install 1/2" flare union adaptor to the 1/2" NPT elbow on pressure regulator.
- F** Connect flexible appliance connector to flare union.
- G** Move range into approximate position and connect flexible connector to gas supply line with proper flare union adaptor.



- H** To prevent gas leaks, put a pipe joint sealant or Teflon® tape on all male threads. **NOTE:** Make sure sealant or tape is compatible with Natural and LP gases.
- I** When you are finished making connections, be sure that all range knobs are turned to OFF before you open the main gas supply valve.

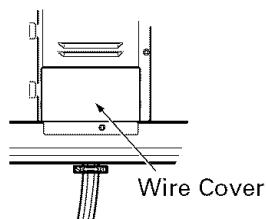
**⚠ WARNING:** Do not use a flame to check for gas leaks. Use liquid leak detector at all joints and connections to check for leaks in the system.

# Installation Instructions

## ELECTRICAL CONNECTIONS

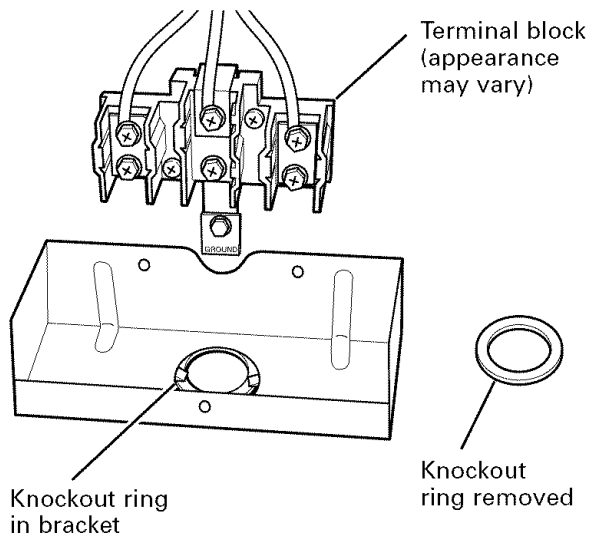
### 11 POWER CORD AND STRAIN RELIEF INSTALLATION

- A** Remove the wire cover (on the back of the range) by removing 2 screws, using a 1/4" nut driver.



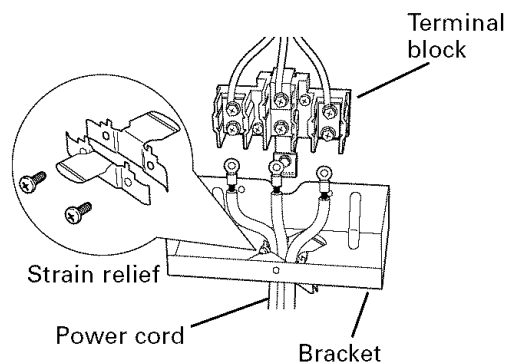
**Do not discard these screws.**

- B** Remove the knockout ring (1-3/8") located on bracket directly below the terminal block. To remove the knockout, use a pair of pliers to bend the knockout ring away from the bracket and twist until ring is removed.



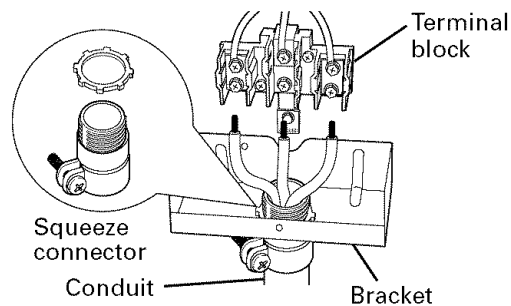
- C** For power cord installations only (see the next step if using conduit), assemble the strain relief in the hole. Insert the power cord through the strain relief and tighten. Allow enough slack to easily attach the cord terminals to the terminal block. If tabs are present at the end of the winged strain relief, they can be removed for better fit.

**NOTE: Do not install the power cord without a strain relief. The strain relief bracket should be installed before reinstalling the rear range wiring cover.**



- D** For conduit installations only, purchase a squeeze connector matching the diameter of your conduit and assemble it in the hole. Insert the conduit through the squeeze connector and tighten. Allow enough slack to easily attach the wires to the terminal block.

**NOTE: Do not install the conduit without a squeeze connector. The squeeze connector should be installed before reinstalling the rear range wiring cover.**



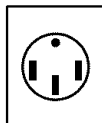


# Installation Instructions

## 12 NEW CONSTRUCTION AND FOUR-CONDUCTOR BRANCH CIRCUIT

All New Constructions, Mobile Homes, Recreational Vehicles and Installations Where Local Codes Do Not Allow Grounding Through Neutral Must Use the 4-Wire Cord Provided

NEMA 14-50R  
4-wire



## 13 FOR EXISTING CONSTRUCTION, A THREE-WIRE FLEXIBLE CORD KIT MAY BE USED

Follow instructions in step 14 if you require a 3-wire cord:

208/240 40 Amp  
3-prong cord

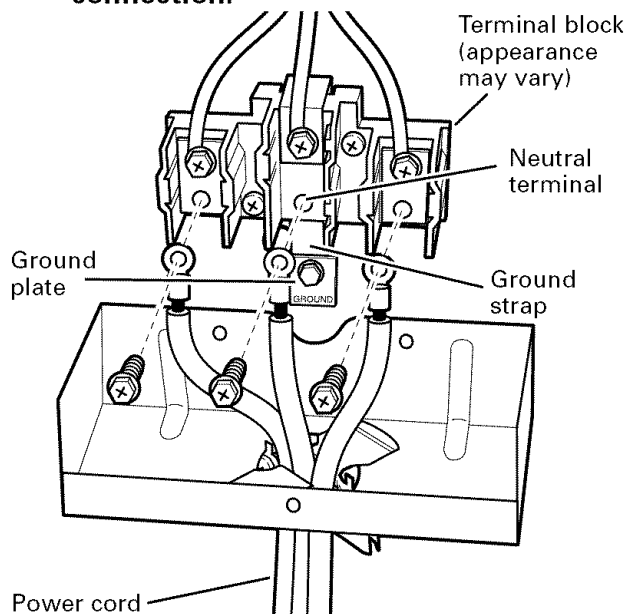


## 14 3-WIRE POWER CORD INSTALLATION

**⚠ WARNING:** The neutral or ground wire of the power cord must be connected to the neutral terminal located in the center of the terminal block. The power leads must be connected to the lower left and the lower right terminals of the terminal block.

- A** Remove the 3 lower terminal screws from the terminal block. Insert the 3 terminal screws through each power cord terminal ring and into the lower terminals of the terminal block. Be certain that the center wire (white/neutral) is connected to the center lower position of the terminal block. Tighten screws securely into the terminal block.

**DO NOT** remove the ground strap connection.



- B** Skip to Step 18 and proceed with the installation.

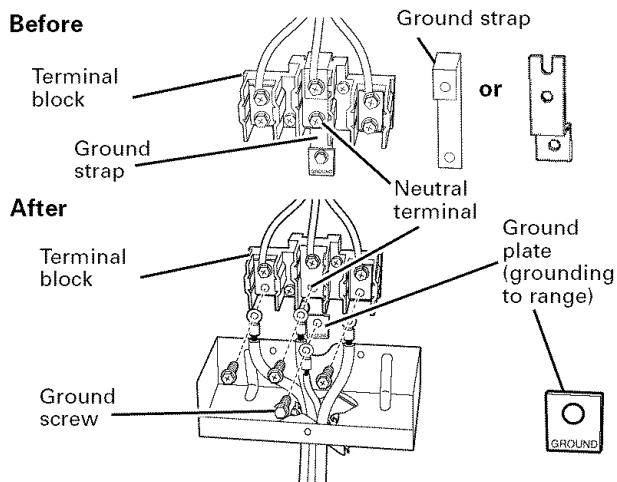
# Installation Instructions

## ELECTRICAL CONNECTIONS (CONT.)

### 15 4-WIRE POWER CORD INSTALLATION

**⚠ WARNING:** The neutral wire of the supply circuit must be connected to the neutral terminal located in the lower center of the terminal block. The power leads must be connected to the lower left and the lower right terminals of the terminal block. The ground lead must be connected to the frame of the range with the ground plate and the ground screw.

- A** Remove the 3 lower terminal screws from the terminal block. Remove the ground screw and ground plate and retain them.
- B** Cut and discard the ground strap. **DO NOT DISCARD ANY SCREWS.**
- C** Insert the one ground screw into the power cord ground wire terminal ring, through the ground plate and into the frame of the range.
- D** Insert the 3 terminal screws (removed earlier) through each power cord terminal ring and into the lower terminals of the terminal block. Be certain that the center wire (white/neutral) is connected to the center lower position of the terminal block. Tighten screws securely into the terminal block.



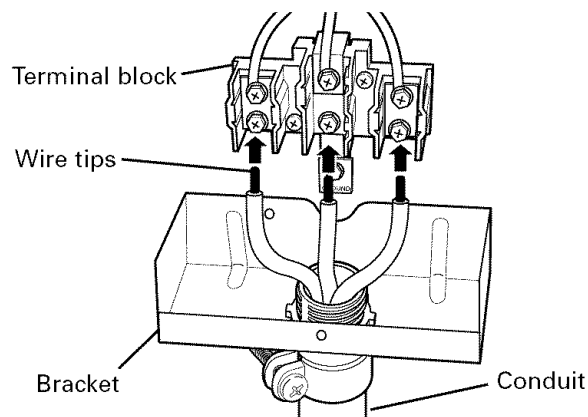
- E** Skip to Step 18 and proceed with the installation.

### 16 3-WIRE CONDUIT INSTALLATION

- A** Loosen the 3 lower terminal screws from the terminal block. Insert the center bare wire (white/neutral) tip through the bottom center terminal block opening. On certain models, the wire will need to be inserted through the ground strap opening and then into the bottom center terminal block opening. Insert the two side bare wire tips into the lower left and the lower right terminal block openings. Tighten the screws until the wire is firmly secured (35 to 50 inch-lbs.). Do not over-tighten the screws since it could damage the wires.

#### NOTE: ALUMINUM WIRING:

Aluminum building wire may be used but it must be rated for the correct amperage and voltage to make connection. Connect wires according to this Step 16 or Step 17 depending on number of wires.



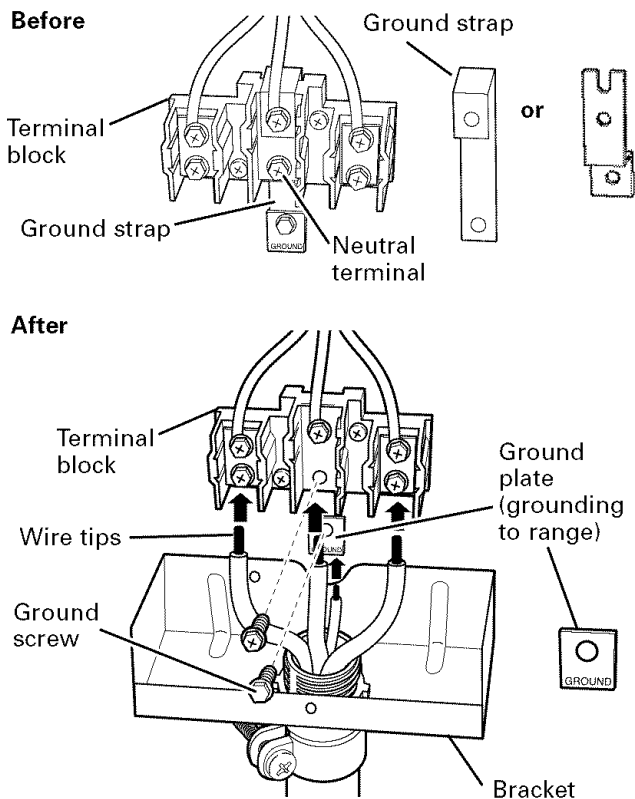
**Wire used, location and enclosure of splices, etc., must conform to good wiring practices and local codes.**

- B** Skip to Step 18 and proceed with the installation.

# Installation Instructions

## 17 4-WIRE CONDUIT INSTALLATION

- A** Loosen the three lower terminal screws from the terminal block. Remove the ground screw and ground plate and retain them. **Cut and discard the ground strap. DO NOT DISCARD ANY SCREWS.**
- B** Insert the ground bare wire tip between the range frame and the ground plate (removed earlier) and secure it in place with the ground screw (removed earlier). Insert the bare wire (white/neutral) tip through the bottom center of the terminal block opening. Insert the two side bare wire tips into the lower left and the lower right terminal block openings. Tighten the screws until the wire is firmly secured (35 to 50 inch-lbs.). Do not over-tighten the screws since it could damage the wires.



- C** Proceed to Step 18.

## 18 REINSTALL WIRE COVER.

**NOTE:** When reinstalling the wire cover, make sure that wires do not become pinched between the wire cover and the housing.

**NOTE:** The ground strap must be attached when using the 3-wire cord.

- Terminations must be either closed loop terminals or open-end spade lugs.
- On some models, a filter capacitor may be connected between the black and ground leads on the junction block. Do not remove capacitor.

### BREAKER OR FUSE SIZE

240V	40 Amps
208V	40 Amps

**NOTE:** Check Local Codes for required breaker size.

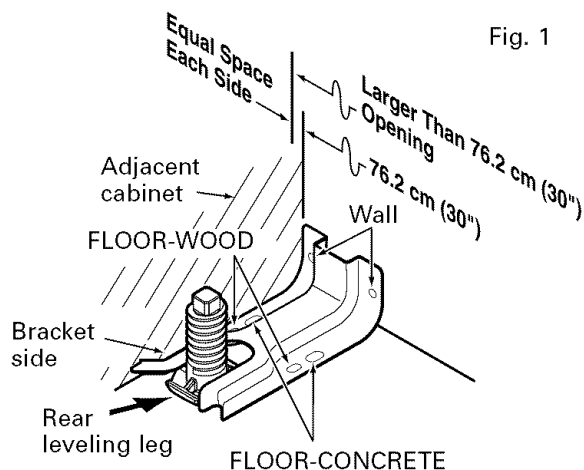
# Installation Instructions

## INSTALL THE RANGE

### 19 INSTALL THE ANTI-TIP BRACKET

#### A LOCATE THE BRACKET

- Decide whether the bracket will be installed on the right or left side of the range opening.
- Place the bracket as shown in Fig. 1.

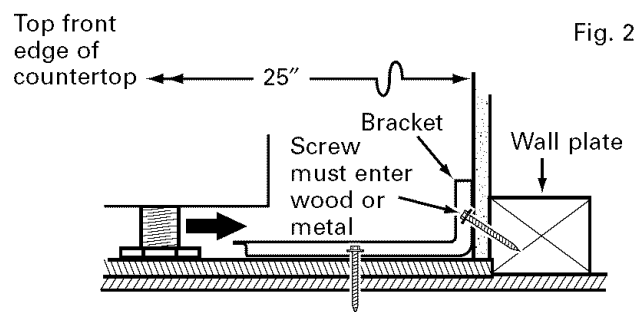


### 19 INSTALL THE ANTI-TIP BRACKET (cont.)

#### B INSTALL THE BRACKET IN WOOD OR CONCRETE

##### INSTALLATION—WOOD CONSTRUCTIONS

- Locate the centers of the 4 holes identified in Fig. 1 as Floor-Wood and Wall.
- Drill a 1/8" pilot hole through the pre-marked areas. Note the angle of the wall screw in Fig. 2.
- Mount the Anti-Tip bracket with the 4 screws provided.



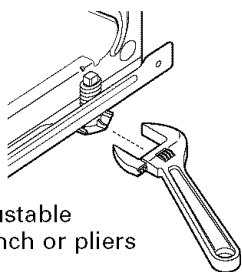
##### INSTALLATION—CONCRETE CONSTRUCTIONS

- For concrete installation, you will need two 1/4" x 1-1/2" lag screws and two sleeve anchors.
- Locate the center of the 4 holes identified in Fig. 1 as Floor-Concrete and Wall. Drill the recommended size holes in each.
- Install the sleeve anchors into the predrilled concrete holes and install the lag and wall screws through the Anti-Tip bracket. Make sure the screws are securely tightened.

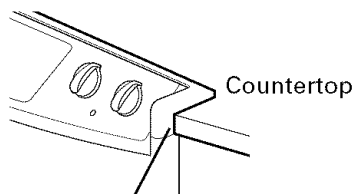
# Installation Instructions

## 20 SLIDE RANGE INTO OPENING

- A** Position the range in front of the cabinet opening.
- B** Make sure that the glass which overhangs the countertop clears the countertop. If necessary, raise the unit by lowering the leveling legs.
- C** Push while lifting the range into the opening, until the range is within 2" of engaging the anti-tip bracket.
- D** Remove the protective trim from the side of glass (if provided).
- E** Using the adjustable pliers or wrench, carefully screw in the back leveling leg until the glass overhang comes to rest on the countertop.



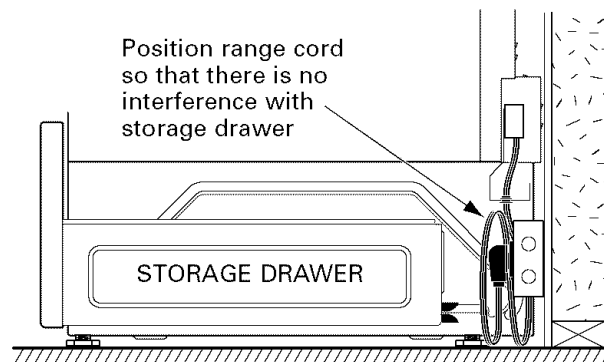
- F** Carefully screw in the front two leveling legs (similar to Step E) until the glass overhang touches the countertop.
- G** Carefully push the range into the opening until the countertop fully engages the control panel. The back glass overhang should cover the cutout opening.



Make sure the edge of the countertop fits flush against the end of the front control panel

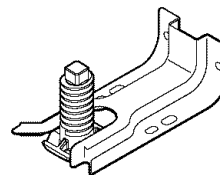
## 20 SLIDE RANGE INTO OPENING (cont.)

- H** Plug the range cord into the receptacle. Locate the cord in the back of the range in a manner that it will not touch or be moved by the drawer.



## 21 FINAL CHECK OF ANTI-TIP BRACKET

When installation is complete and the range is in place, check to be sure that the rear leveling leg is fully inserted into the slot of the Anti-Tip Bracket.



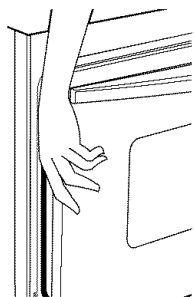
# Installation Instructions

## INSTALL THE RANGE (CONT.)

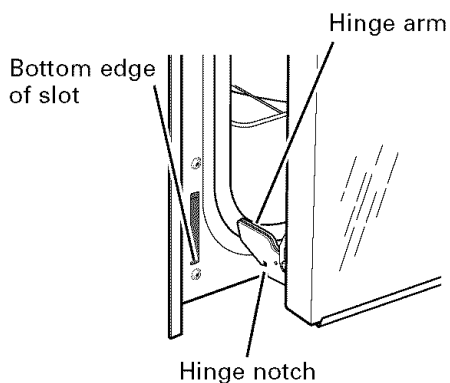
### 22 REPLACE THE OVEN DOOR

**NOTE:** The oven door is heavy. You may need help lifting the door high enough to slide it into the hinge slots. Do not lift the door by the handle.

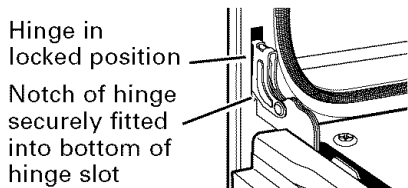
- A** Lift the oven door by placing one hand on each side. The door is heavy, so you may need help. Do not lift the door by the handle.



- B** With the door at the same angle as the removal position (halfway between the closed and broil stop position), seat the notch of the hinge arm into the bottom edge of the hinge slot. The notch of the hinge arm must be fully seated into the bottom of the slot.



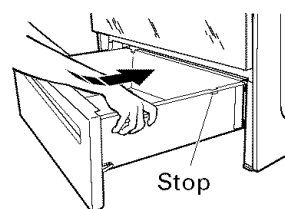
- C** Open the oven door as far as it will open.  
**D** Push the hinge locks up against the front frame of the oven cavity, to the locked position.



- E** Close the oven door.

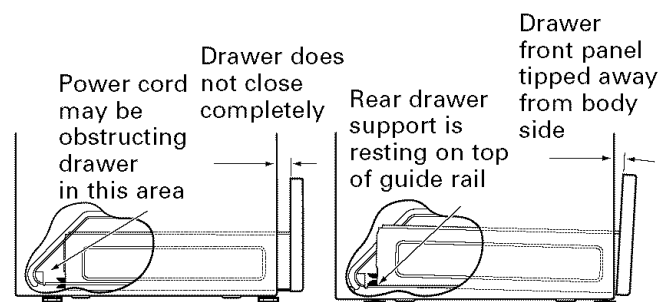
### 23 REPLACE THE STORAGE DRAWER

- A** Place the drawer rail on the guides.  
**B** Push the drawer in until it stops.  
**C** Lift the front of the drawer and push in until the stops clear the guides.  
**D** Lower the front of the drawer and push in until it closes.



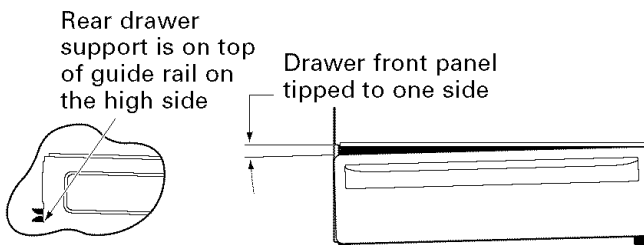
### SPECIAL INSTRUCTIONS IF YOU ARE HAVING PROBLEMS WHILE REPLACING THE STORAGE DRAWER

#### If Drawer Won't Close:



Remove and replace, making sure the power cord is not obstructing the drawer and/or the rail is in the guide.

#### If Drawer is Crooked:



Remove and replace, making sure the rail is in the guide.

# Installation Instructions

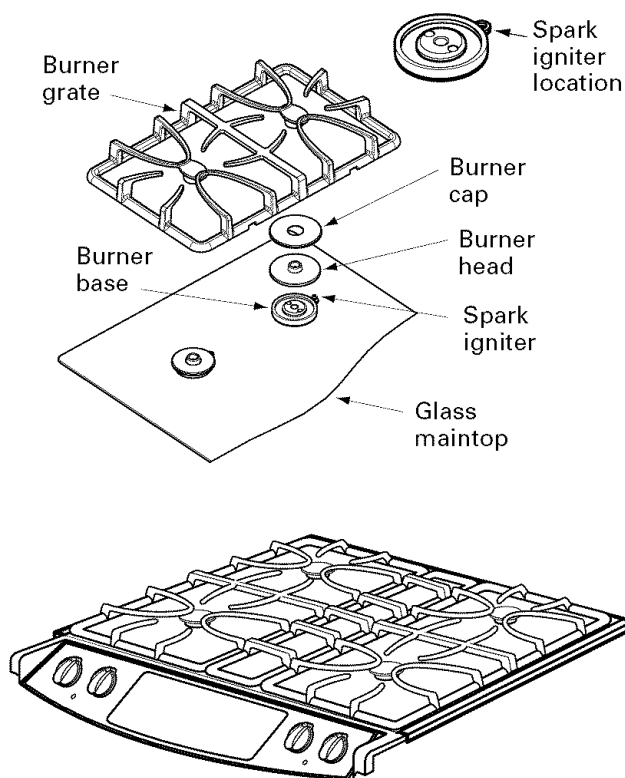
## 24 COOKTOP BURNERS

### A ASSEMBLING THE BURNERS

**▲ CAUTION:** The electrode of the spark igniter is exposed. Be careful not to snag the electrode of the spark igniter with a cleaning cloth. Damage to the igniter could occur. Be careful not to turn on any cooktop controls while cleaning. A slight electrical shock might result, which could cause you to knock over hot cookware.

#### FOR GLASS CERAMIC COOKTOPS

- Place the burner head on the burner base, so that the pins match up with the slots on the base.
- Position the burner cap on the burner head.
- Place the burner grate over the burner assembly. The grates fit over the raised area on the burner head.



### B CHECK FOR LEAKS

Turn the gas supply on and use a liquid leak detector (soap solution) at all joints and connections to check for leaks. **Do not use an open flame to look for leaks.** Be sure all leaks are stopped before lighting burners.

### C PRESSURE TEST INFORMATION

The maximum allowable supply pressure for the regulator is 14" W.C. The minimum supply pressure needed to check the regulator setting is 7" W.C. for natural gas and 10" W.C. for LP gas.

**▲ WARNING:** The range and its individual shut-off valve must be disconnected from the gas supply piping system during any pressure testing of the gas supply system at test pressures of more than 1/2 psig (pounds per square inch gauge). The range must be isolated from the gas supply piping system by closing its individual shut-off valve during any pressure testing of the gas supply system at test pressures equal to or greater than 1/2 psig. NOTE: 1/2 psig = 13.855" w.c.

# Installation Instructions

## INSTALL THE RANGE (CONT.)

### **D** CHECK THE IGNITERS

Operation of the electric igniters should be checked after the cooktop and supply line have been carefully checked for leaks and the cooktop has been connected to the electrical power.

- a. Turn on gas.
- b. Push and turn a burner valve to the LITE position.
  - The burner valve should light when gas is available to the burner.
  - Once the burner lights, it should be turned out of the LITE position.
- c. Try each valve separately until all burners have been checked.

### **E** BURNER IGNITION

**Cooktop Spark Ignition**—When you turn the cooktop knob to LITE, the spark igniter makes a series of electric sparks (ticking sounds) which light the burner. During a power failure the burners will not light automatically. In an emergency, a cooktop burner may be lit with a match by following the steps below.

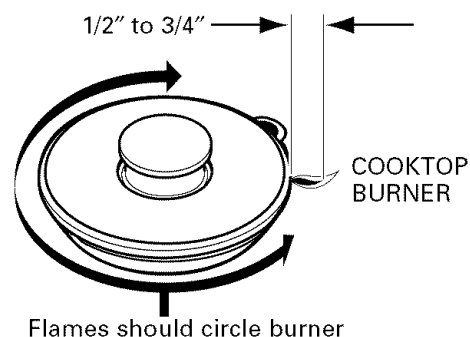
**▲WARNING:** Lighting gas burners with a match is dangerous. You should match light the cooktop burners only in an emergency.

- a. Light a match and hold the flame near the burner you want to light. Wooden matches work best.
- b. Push in and turn the control knob slowly. Be sure you are turning the correct knob for the burner you are lighting.

**NOTE:** If the burner does not light within five seconds, turn the knob off and wait 5 minutes before trying again.

### **F** BURNER FLAMES

Turn each burner on. Turn each burner knob to the high position. Flames should be blue in color with no or little trace of yellow. The burner flames should not flutter or blow away from the burner. The inner cone of the flame should be between 1/2" to 3/4" long. If the burner flames are yellow in color or not the proper length, call GE Service.



Burners should be checked frequently.

**▲WARNING:** If you attempt to measure the inner cone of the flame, please use caution. Burns could result.



# Installation Instructions

## 25 ALTERNATE CONSTRUCTION PREPARATION

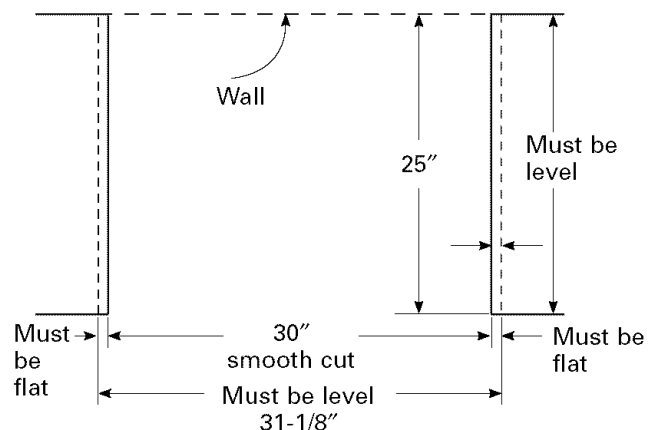
### A OPTIONAL MAINTOP FILLER OR BACKGUARD KIT

If counter opening extends to the wall, it will require Maintop Filler Kit (supplied with the range) or Backguard Kit (JXS36XX or JXS39SS) to close the gap.

**NOTE:** If the countertop is greater than 25", it will show a gap between the backguard and wall or between filler kit and the wall.

If the countertop is less than 25", a gap will occur between the countertop front and the control panel ends (see Step 8).

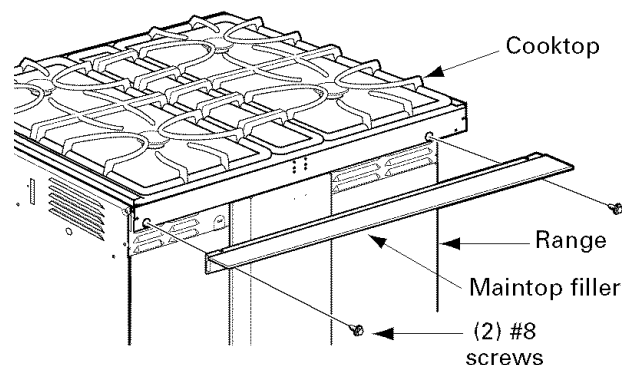
If you are using the optional backguard kit, refer to the backguard kit instructions for installation details.



If you use the filler kit, place the metal filler piece supplied with the range to the back of the range as shown in the figure below. Start the 2 screws into the upper holes at the outside rear of the range above the louvers and through the slots in the trim, holding the filler piece centered on the maintop frame and pushing upward to close the gap between the bottom of the glass and the filler trim.

When the trim is set in the proper position, tighten the 2 mounting screws. The top of the trim should be located below the top surface of the glass to prevent pots, pans and skillets from damaging the painted parts.

Refer to the Standard Installation of the Range on page 6.



### B FOR NON-BUILT-IN INSTALLATION (END OF CABINET LOCATION)

When installing the range at the end of a cabinet section which will expose the unfinished side of the range, use Body Side Kit (JXS76XX). Refer to the kit instructions for installation details.

# Installation Instructions

## INSTALL THE RANGE (CONT.)

### **25** ALTERNATE CONSTRUCTION PREPARATION (cont.)

#### **C** ISLAND INSTALLATION

Attach the Anti-Tip bracket per instructions in Step 19, making sure that the rear of the bracket is 25" from the front of the countertop.

Be aware that the screws provided are long and may penetrate through the back of the island cabinets. In this event, use shorter screws (not provided) or the screws provided should be used in the floor (see Step 19B for Wood/Concrete Floor Installation).

**Do not use Backguard Kit JXS36XX or JXS39SS.**

#### **D** FOR CABINET OPENINGS APPROXIMATELY 30-3/8"

If range is installed in cabinet opening approximately 30-3/8", the Vertical Side Trim Kit (JXS86XX) should be used to cover gaps between range sides and cabinet. Refer to the kit instructions for installation details.

#### **E** CABINETS OVER THE RANGE LESS THAN 30"

If a 30" clearance between cooking surface and overhead combustible material or metal cabinets cannot be maintained, protect the underside of the cabinets above the cooktop with not less than 1/4" insulating millboard covered with sheet metal not less than 0.0122" thick.

### **26** OPERATION CHECKLIST

- Double check to make sure everything in this guide has been completed. Rechecking steps will ensure safe use of the cooktop.
- Make sure all controls are left in the OFF position.
- Make sure the flow of combustion and ventilation air to the cooktop is unobstructed.
- The serial plate for your Range is located under the oven door above the storage area. In addition to the model and serial numbers, it tells you the ratings of the burners and the type of fuel and pressure the cooktop was adjusted for when it left the factory.
- When ordering parts, always include the serial number and model number to ensure proper replacement parts.
- **Recheck Steps: Double check to make sure everything in this guide has been completed. Rechecking steps will ensure safe use of the Range.**

# Installation Instructions

Please see L.P. conversion instructions supplied with this range when L.P. Gas is used.

**NOTE:** Instructions are mounted on regulator bracket.

## IN SOME CASES

- A** With L.P. gas, some yellow tipping on the outer cone is normal.
- B** Foreign particles in the gas line may cause an orange flame at first, but this will soon disappear.

### SPECIAL NOTE:

To convert the oven back to natural gas, reverse the instructions given in making L.P. Adjustments.



Once the conversion is complete and checked ok, fill out the LP sticker and include your name, organization and the date the conversion was made. Apply the sticker near the regulator to alert others in the future that this appliance has been converted to LP gas. If converting back to natural gas from LP, please remove the sticker so others know the appliance is set to use natural gas.

## ADJUSTING LOW FLAME SETTING ON COOKTOP BURNERS

Low setting adjustments must be made with two other burners in operation on a medium setting. This procedure prevents the low flame from being set too low, resulting in the flame being extinguished when other burners are turned on.

- A** Remove the valve control knobs.
- B** Through the opening, locate the valve bypass screw located on the lower right side of the valves.
- C** Using a small screwdriver, screw down the bypass screw fully in a clockwise rotation.

