

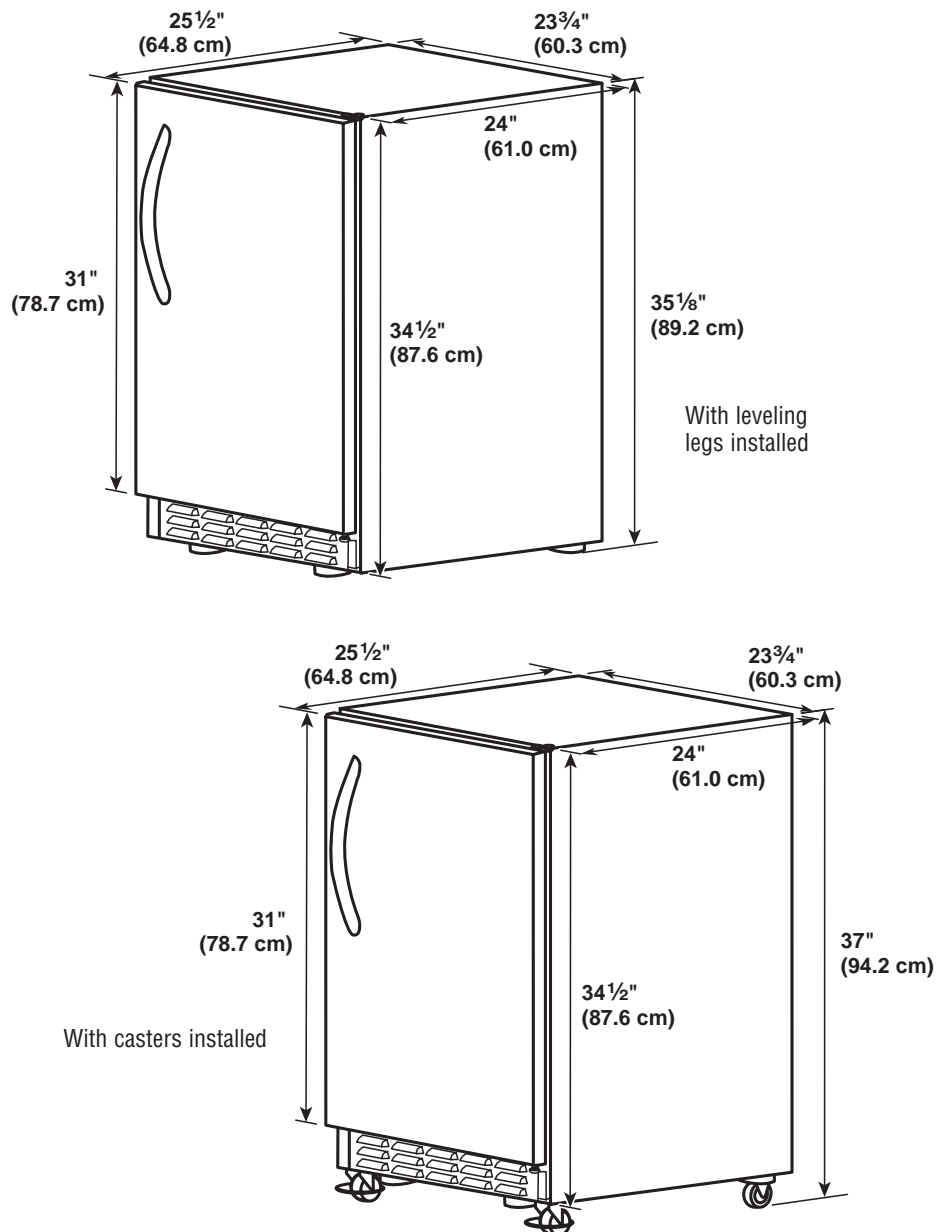
# KitchenAid® Refrigerator

## PRODUCT MODEL NUMBERS

KRCA06XP

**Electrical:** A 115 Volt, 60 Hz., AC only 15 amp fused, grounded electrical supply is required. It is recommended that a separate circuit serving only your refrigerator be provided. Use an outlet that cannot be turned off by a switch. Do not use an extension cord.

## OVERALL DIMENSIONS



## LOCATION REQUIREMENTS

Your refrigerator operates most efficiently when located in an area where the temperature is normally between 15°F (-9°C) and 120°F (49°C).

The refrigerator is equipped with a heater to keep contents from freezing in cold outside temperatures below 32°F (0°C) and above 15°F (-9°C). If the temperature falls below 15°F (-9°C) remove contents from refrigerator.