

KitchenAid® Electric Built-in Ceramic Downdraft Cooktop

PRODUCT MODEL NUMBERS

KECD865H
KECD805H

Electrical: A four-wire or three-wire, single-phase, 240-volt, 60-Hz, AC-only electrical supply is required on a separate 30-amp circuit, fused on both sides of the line. A time-delay fuse or circuit breaker is recommended. Connect with copper wire only.

Venting system: Use metal vent only. Exception: Under a concrete slab, PVC may be used. Rigid metal vent is recommended. Do not use plastic or metal foil vent. See Installation Instructions for details.

This downdraft cooktop is rated at 60 feet (18.3 m) of straight vent or the equivalent.

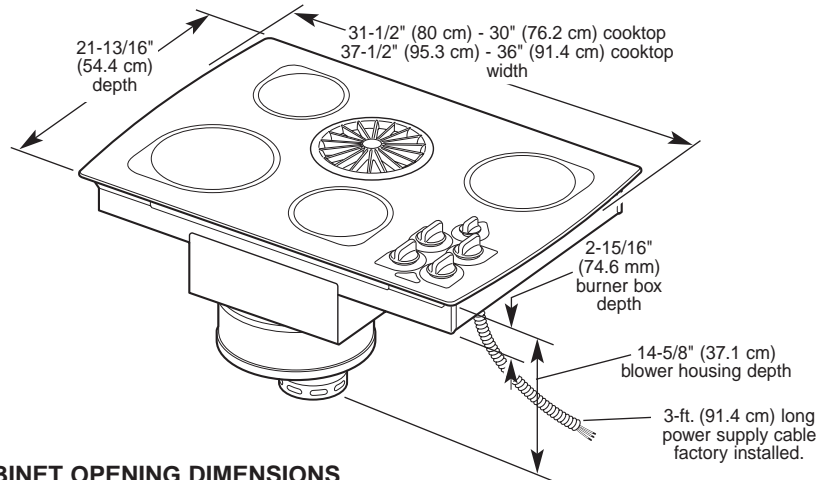
If vent length is 10 feet (3 m) or less, 6" (15.2 cm) diameter round vent may be used. If vent length is more than 10 feet (3 m), use 6" (15.2 cm) diameter round or 3-1/4" x 10" (8.3 x 25.4 cm) rectangular vent.

Venting system must terminate to the outside.

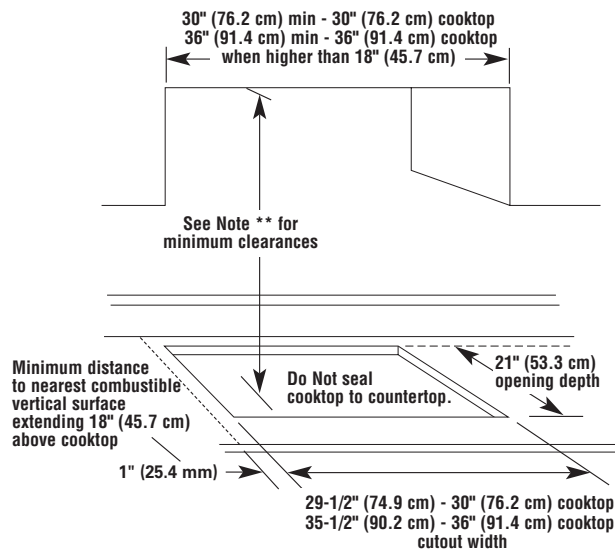
Cooktop location should be away from strong draft areas, such as windows, doors and strong heating vents or fans.

All openings in the wall or floor where cooktop is to be installed must be sealed.

OVERALL DIMENSIONS



CABINET OPENING DIMENSIONS



** Note: 24" (61 cm) minimum when bottom of wood or metal cabinet is protected by not less than 1/4" (6.4 mm) flame retardant millboard covered with not less than No. 28 MSG sheet steel, 0.015" (0.4 mm) stainless steel, 0.024" (0.6 mm) aluminum or 0.020" (0.5 mm) copper.

30" (76.2 cm) minimum clearance between the top of the cooking platform and bottom of unprotected wood or sheet metal.

Minimum base cabinet dimensions —

30" (76.2 cm) base cabinet width
24" (61 cm) base cabinet depth
25" (63.5 cm) countertop depth

Countertop opening dimensions that are shown must be used. Given dimensions are minimum clearances and provide required 0" (0 cm) clearance.

New installations — Follow minimum dimensions given.

Replacement installation — Be sure that front edge of cooktop is at least 1-1/2" (38.1 mm) back from front edge of countertop.

If cabinet has drawers, drawers will need to be removed and drawer fronts installed on front of cabinet.

Side clearance — 6" (15.2 cm) minimum clearance between side of cooktop and side wall is recommended for maximum ventilation performance.

Rear clearance — 3/4" (19.1 mm) clearance between rear edge of cooktop and rear wall is recommended.

Motor/blower clearance — 2" (51 mm) minimum clearance between motor and cabinet is required for proper cooling. 6" (15.2 cm) clearance is recommended for servicing access.

Exhaust Duct Cutout Locations

