

Instructions for converting range to operate on Liquefied Petroleum Gas

INSTALLATION AND SERVICE MUST BE PERFORMED BY
A QUALIFIED INSTALLER.

IMPORTANT: SAVE FOR LOCAL ELECTRICAL INSPECTOR'S USE.
READ AND SAVE THESE INSTRUCTIONS FOR FUTURE REFERENCE.

WARNING This conversion kit must be installed by a qualified service technician in accordance with the manufacturer's instructions and all applicable codes and requirements of the authority having jurisdiction. Failure to follow instructions may result in fire, explosion or production of carbon monoxide causing property damage, personal injury or loss of life. The qualified service agency is responsible for the proper installation of this kit. The installation is not proper and complete until the operation of the converted appliance is checked as specified in the manufacturer's instructions supplied with this kit.

CAUTION Before proceeding with the conversion, shut off the gas supply before disconnecting electrical power to the range. Be sure both power supplies are off before installing the conversion kit. Failure to do so could cause serious bodily injury.

Note: When surface burners are converted from Natural to L.P. the BTU ratings become:

5,000 BTU* Natural Gas to 4,500 BTU* L.P. Gas
9,500 BTU* Natural Gas to 8,000 BTU* L.P. Gas
12,000 BTU* Natural Gas to 10,000 BTU* L.P. Gas
16,200 BTU* Natural Gas to 14,000 BTU* L.P. Gas

L.P. Kit Contents		Kit p/n 316467202 (yellow label)
Part Description	Part Number	Qty.
Surface Burner Orifice marked 0.68mm 4,500 BTU* (blue)	316237907	1
Surface Burner Orifice marked 0.89mm 8,000 BTU* (no color)	316237906	2
Surface Burner Orifice marked 0.95mm 10,000 BTU* (green)	316237905	1
Surface Burner Orifice marked 1.15mm 14,000BTU* (black)	316237910	1
L.P. Kit Installation Instructions	316417513	1

*NOTE: For operation at elevations above 2000 ft., appliance rating shall be reduced at the rate of 4 percent for each 1000 ft. above sea level.

How to Convert the Range for use with LP/ Propane Gas



1. Convert the Pressure Regulator

To access the gas regulator, remove the storage drawer or warmer drawer. If equipped with a storage drawer, open & remove the drawer completely. For models equipped with a warmer drawer, follow the instructions below to remove the warmer drawer.

- WARNING** Electrical Shock Hazard can occur and result in serious injury or death. Disconnect electrical power to the range before removing the warmer drawer for servicing.
- Locate glide lever on each side of drawer, pull up on the left glide lever and push down on the right glide lever (See Fig. 1).
- Pull the warmer drawer away from the appliance (See Fig. 2).
- Remove the regulator access cover if equipped. **Do not remove the pressure regulator or allow it to turn.**
- Remove the dust protector from the cap. Use the proper size wrench to remove the cap from the regulator.
- Follow the remaining instructions provided in Fig. 3.

NOTE: After replacing the natural gas to LP orifices, be sure to keep the original factory installed natural gas orifices for future range conversion back to natural gas.

Tools Required:

- 3/8", 1/2" and 5/8" Open End Wrench 
- 1/8" Wide Flat Blade Screwdriver 
- 7mm Nutdriver 

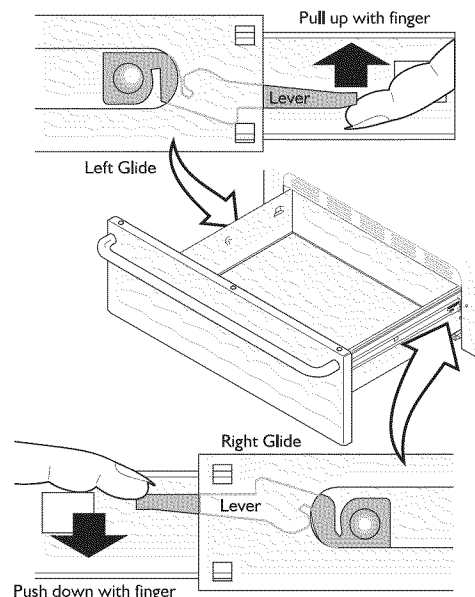


Fig. 1

Instructions for converting range to operate on Liquefied Petroleum Gas

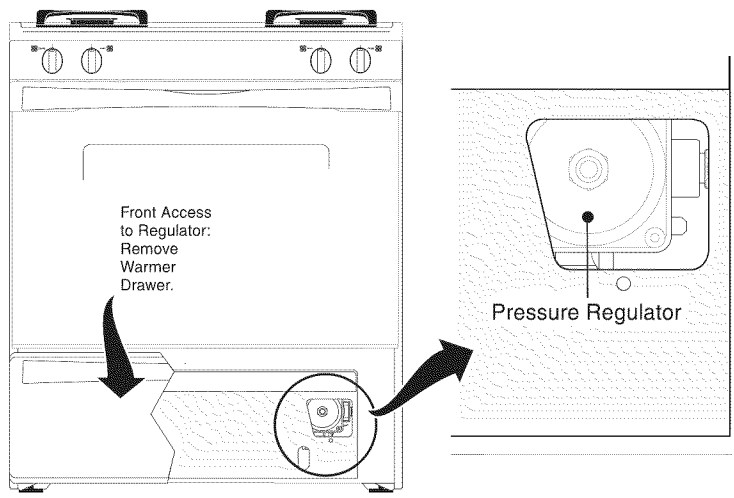


Fig. 2

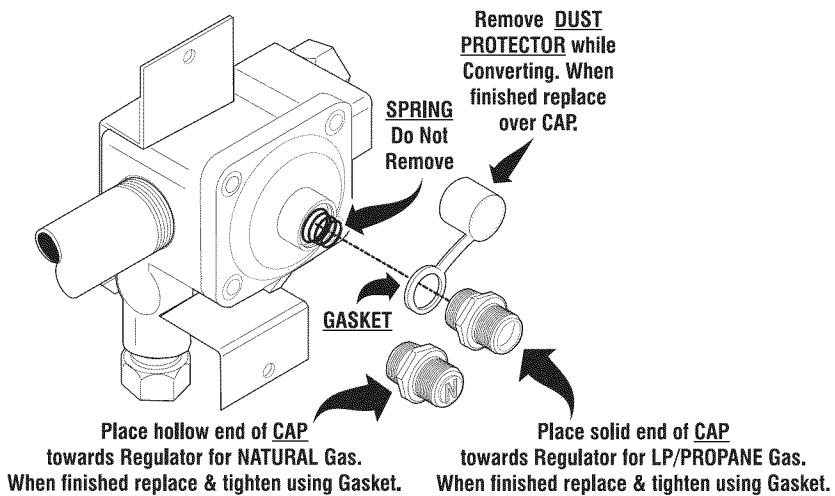


Fig. 3

Cooktop Layout

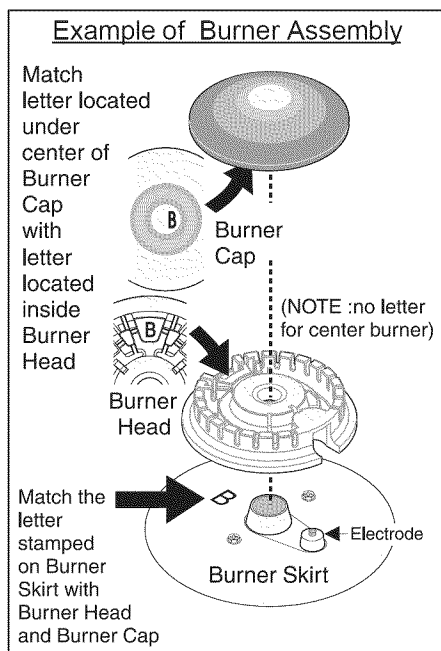
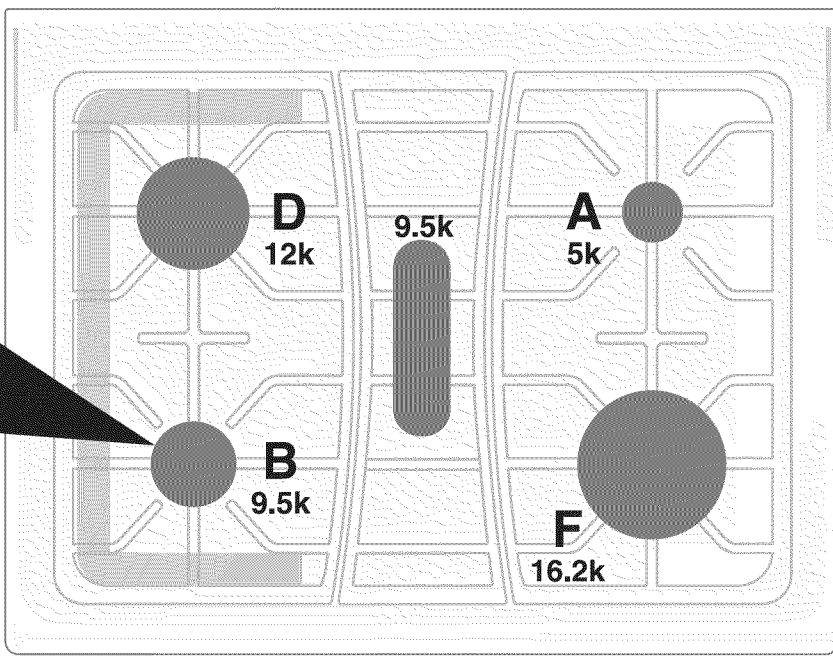


Fig. 4



Front of cooktop

Fig. 5

Instructions for converting range to operate on Liquefied Petroleum Gas

2. Convert surface burners for LP/Propane gas:

CAUTION Unlike the standard gas range, **THIS COOKTOP IS NOT REMOVABLE**. Do not attempt to remove this cooktop. Save the natural gas orifices removed from the appliance for possible future conversion back to natural gas.

For all burner locations:

- Remove burner grates & burner caps.
- Use your hand to remove the burner heads.
- Remove the factory installed natural gas orifices from the center of the orifice holders using a 7 mm nutdriver (See Fig. 6).
- Replace the orifice in each of the orifice holders with kit supplied LP/Propane gas orifice (refer to the LP Kit chart listed on page 1; also refer to Fig. 5 for the correct LP orifice installation at each of the surface burner locations). Tighten each orifice until snug. Use CAUTION not to overtighten.
- Replace all the burner heads & caps. Match the letter located under center of burner cap with letters located inside the burner heads (center position is not marked - See Figs. 4 & 5).
- Match the letter stamped on the burner skirt with the burner head and burner cap (center position is not marked). Each of the burner heads **MUST** have a burner cap installed to insure proper ignition and gas flame size. Note: The burner electrodes must be located properly in slot of each burner head (See Fig. 4).

WARNING

Use caution when replacing each burner cap so the electrode is not damaged.

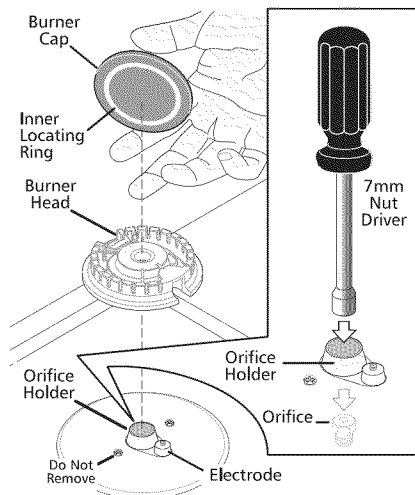


Fig. 6

3. Convert oven burner orifice for LP/Propane Gas 16,000 BTU*

- Locate the oven burner spud (See Fig. 7).
- Using a 1/2" wrench, turn down the adjustable spud, which injects gas into the oven burner, until snug against the LP/Propane metering pin (approximately 2-1/2 turns). **DO NOT** over tighten.

4. Convert waist-high broiler burner orifice for LP/Propane Gas (13,500 BTU*) —

- Open the oven door.
- Locate the broiler burner spud and turn down until snug against the LP/Propane metering pin (approximately 1 to 1-1/2 turns). **DO NOT** over tighten (See Fig. 7).

5. Reconnect gas & electrical supply to appliance

Leak testing of the appliance shall be conducted according to the Installation Instructions provided with the appliance.

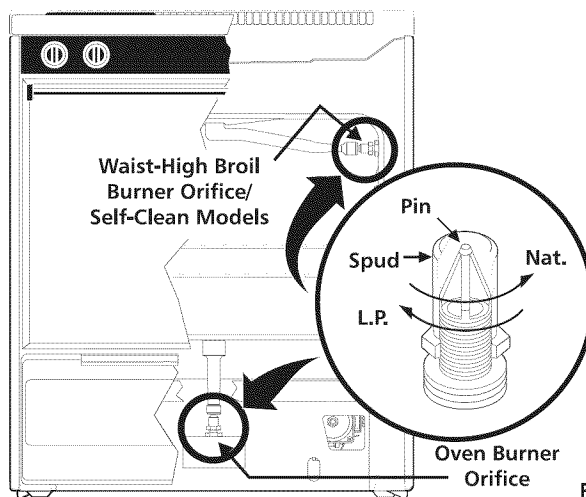


Fig. 7

Checking Manifold Gas Pressure

If it should be necessary to check the manifold gas pressure, remove the burner and connect a manometer (water gauge) or other pressure device to the top right front burner orifice. Using a rubber hose with inside diameter of approximately 1/4," hold tubing down tight over orifice. Turn burner valve on. For an accurate pressure check, have at least two (2) other surface burners burning. Be sure the gas supply (inlet) pressure is at least one inch above specified range manifold pressure. The gas supply pressure should never be over 14" water column. When properly adjusted the manifold water column pressure is 10" for LP/Propane gas or 4" for Natural gas.

CAUTION Do not use a flame to check for gas leaks.

- Disconnect the range and its individual shut-off valve from the gas supply piping system during any pressure testing of that system at test pressures greater than 14" of water column pressure (approximately 1/2" psig).
- The appliance must be isolated from the gas supply piping system by closing its individual manual shut-off valve during any pressure testing of the gas supply piping system at test pressures equal to or less than 14" of water column pressure (approximately 1/2" psig).

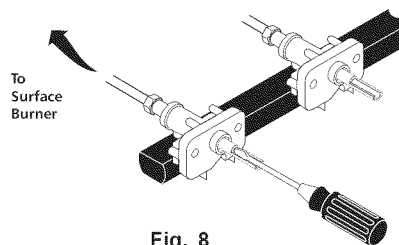


Fig. 8

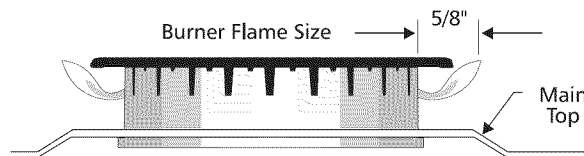


Fig. 9

6. Test to verify if "LOW" setting should be adjusted:

- Push in & turn control to LITE until burner ignites.
- Push in & quickly turn knob to LOWEST POSITION.
- If burner goes out, reset control to OFF.
- Remove the surface burner control knob.
- Insert a thin-bladed screwdriver into the hollow valve stem and engage the slotted screw inside. Flame size can be increased or decreased with the turn of the screw. Turn counterclockwise to increase flame size. Turn clockwise to decrease flame size. (See Figs. 8 & 9). Adjust flame until you can quickly turn knob from LITE to LOWEST POSITION without extinguishing the flame. Flame should be as small as possible without going out.

Instructions for converting range to operate on Liquefied Petroleum Gas

7. Adjust air shutter-oven burner :

The air shutter for the oven burner may need adjustment, especially if the appliance has been converted for use with LP/Propane gas. The approximate flame length of the oven burner is 1 inch (distinct inner blue flame; See Fig. 10).

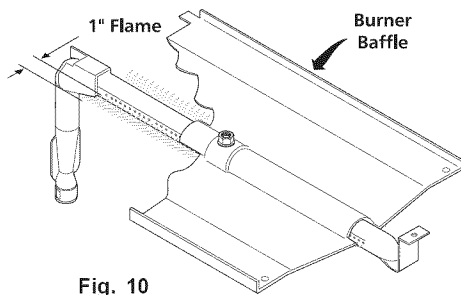


Fig. 10

To determine if the oven burner flame is proper:

- To access the air shutter you must remove the warmer drawer, see instructions for Steps 1a, 1b & 1c.
- Remove the oven bottom by removing the screws at rear of oven bottom. Lift up the rear of oven bottom and slide toward back of range to disengage from front of oven front frame.
- Remove burner baffle by removing nut located on top of baffle and two screws from front edge of oven front frame. Lift baffle straight up and out of the oven.
- Set the oven to bake at 350°F and observe the flame. If the flame is yellow in color, increase air shutter opening size. If the flame is a distinct blue color, but lifting away from the burner; reduce the air shutter opening size.
- Turn off oven and allow to cool before adjusting air shutter. To adjust loosen lock-screw (See Fig. 11), reposition air shutter, and tighten lock-screw.

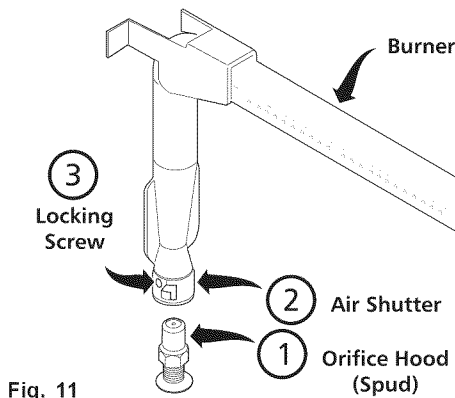


Fig. 11

Retest the burner by repeating step "d" above. When the burner flame is a distinct blue color burning steady, the air shutter is adjusted correctly.

- Replace burner baffle & oven bottom.

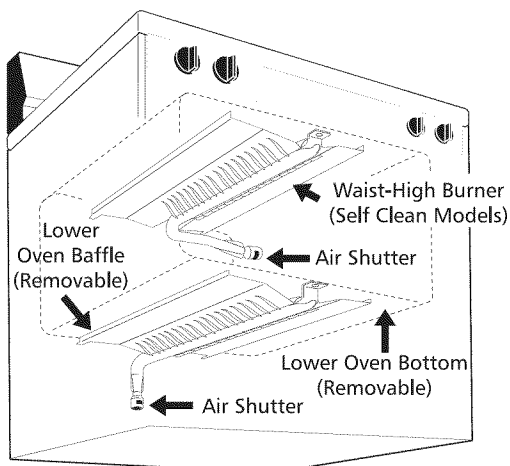


Fig. 12

8. Adjust air shutter-broil burner:

- Observe the flame to determine if the broiler burner flame is properly adjusted. It should be steady with approximately 1" blue cones and no yellow or orange flame tips (See Figs. 10 & 11).
- If adjustment to the air shutter is necessary, locate the broiler burner air shutter (See Fig. 13), loosen shutter lock screw, and adjust to obtain optimum flame. This will normally be completely open for LP/Propane gas. If the flame is yellow in color, increase the air shutter opening size. If the flame is a distinct blue, but lifting away from the burner, reduce the air shutter opening size. Tighten the shutter set screw.

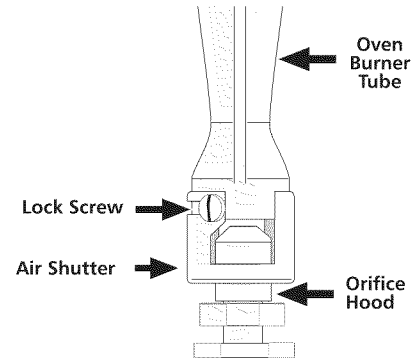


Fig. 13

9. Replace warmer drawer:

- Pull the bearing glides to the front of the chassis glide (See Fig. 14).
- Align the glide on each side of the drawer with the glide slots on the range.
- Push the drawer into the range until levers "click" (approximately 2"). Pull the drawer open again to seat bearing glides into position. **If you do not hear the levers "click" or the bearing glides do not feel seated remove the drawer and repeat steps "a" through "c"** This will minimize possible damage to the bearing glides.

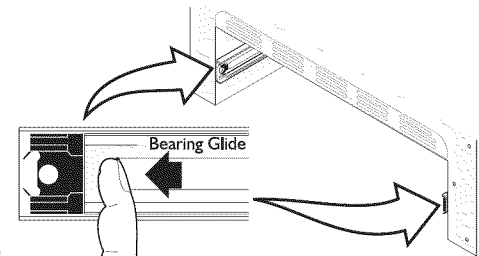


Fig. 14

Conversion back to natural gas

If it becomes necessary to convert the appliance back to natural gas:

- Disconnect gas & electrical supply from appliance.
- Convert pressure regulator (See Step 1).
- Remove the LP burner orifices using 7mm nutdriver & replace with the original factory installed natural gas orifices at their original locations (See Fig. 5 for locations).
- Convert oven burner orifice for Natural Gas by loosening spud counter-clockwise (See Step 3; approximately 2-1/2 turns).
- Convert waist-high broiler burner orifice for Natural Gas by loosening spud counter-clockwise (See Step 4; approximately 1 to 1-1/2 turns).
- Re-adjust LO (Low) setting for surface burner valves following instructions (See Step 6).
- Readjust oven & broil burner air shutters (See steps 7 & 8).