

KitchenAid® 30" (76.2 cm) Freestanding Range

PRODUCT MODEL NUMBERS

KERS206X KERS308X
KERS208X

ELECTRICAL REQUIREMENTS

- This range is manufactured with the neutral terminal connected to the cabinet. Use a 3-wire UL listed, 40- or 50-amp power supply cord (pigtail) (see Range Rating chart below). If local codes do not permit ground through the neutral, use a 4-wire power supply cord rated at 250 volts, 40 or 50 amps and investigated for use with ranges.

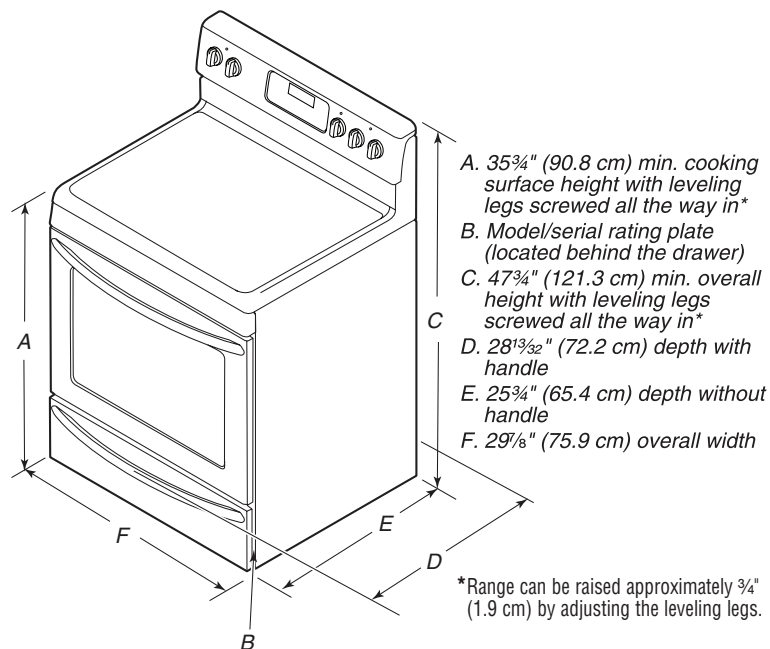
Range Rating*	Specified Rating of Power Supply Cord Kit and Circuit		
Protection	120/240 Volts	120/208 Volts	Amps
8.8 - 16.5 KW	7.8 - 12.5 KW		40 or 50**
16.6 - 22.5 KW	12.6 - 18.5 KW		50

*The NEC calculated load is less than the total connected load listed on the model/serial rating plate.

**If connecting to a 50-amp circuit, use a 50-amp rated cord with kit. For 50-amp rated cord kits, use kits that specify use with a nominal 1 $\frac{3}{8}$ " (34.9 mm) diameter connection opening.

- A circuit breaker is recommended.
- The range can be connected directly to the fused disconnect (or circuit breaker box) through flexible or nonmetallic sheathed, copper or aluminum cable.
- Wire sizes and connections must conform with the rating of the range (40 amps).

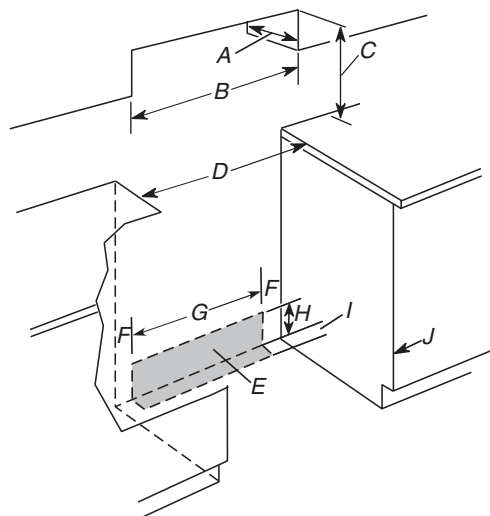
OVERALL DIMENSIONS



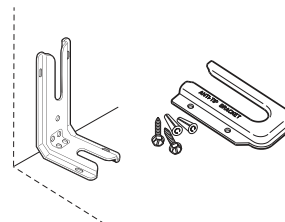
CABINET DIMENSIONS

Cabinet opening dimensions shown are for 25" (64.0 cm) countertop depth, 24" (61.0 cm) base cabinet depth and 36" (91.4 cm) countertop height.

IMPORTANT: If installing a range hood or microwave hood combination above the range, follow the range hood or microwave hood combination installation instructions for dimensional clearances above the cooktop surface.



- A. 13" (33.0 cm) upper cabinet depth
B. 30" (76.2 cm) min. opening width
C. For minimum clearance to top of cooking surface, see NOTE.
D. 30" (76.2 cm) min. opening width
E. Junction box in shaded area
F. 4" (10.2 cm) overall width
G. 22" (55.9 cm)
H. 6" (15.2 cm)
I. 2 $\frac{5}{8}$ " (6.7 cm)
J. Cabinet door or hinge should not extend into the cutout.



Anti-tip bracket:

Anti-tip bracket must be securely mounted to subfloor or wall. Thickness of flooring may require longer screws to anchor bracket to subfloor. Longer screws are available from your local hardware store.

NOTE: 24" (61.0 cm) minimum when bottom of wood or metal cabinet is covered by not less than $\frac{1}{4}$ " (0.64 cm) flame retardant millboard covered with not less than No. 28 MSG sheet steel, 0.015" (0.4 mm) stainless steel, 0.024" (0.6 mm) aluminum or 0.020" (0.5 mm) copper.

30" (76.2 cm) minimum clearance between the top of the cooking platform and the bottom of an uncovered wood or metal cabinet.