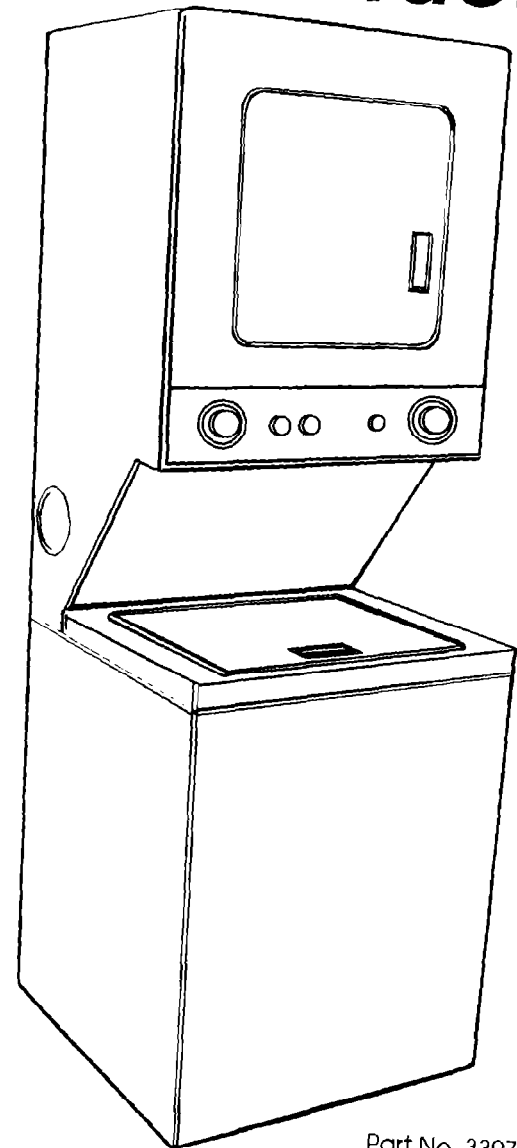




Thin Twin
Washer • Dryer 230 Volt, 50 Hz
Installation Instructions

IMPORTANT:
Read and save
these instructions.

IMPORTANT:
Installer: Leave Installation Instructions
with the homeowner.
Homeowner: Keep Installation Instructions
for future reference.
Save Installation Instructions for local
electrical inspector's use.



Part No. 3397516

Before you start...

Check location where washer/dryer will be installed. Proper installation is your responsibility. The washer/dryer must not be installed or stored in an area where it will be exposed to water and/or weather. Make sure you have everything necessary for correct installation.

Important: Observe all governing codes and ordinances.

Check code requirements. Some codes limit or do not permit the installation of clothes dryers in garages, closets, mobile homes and sleeping quarters. Contact your local building inspector.

Check utilities: Proper electrical supply must be available. See "Electrical requirements," Panel A.

WARNING

Electric Shock Hazard

It is the customer's responsibility:

- To contact a qualified electrical installer.
- To assure that the electrical installation is adequate and in conformance with all local codes and ordinances.

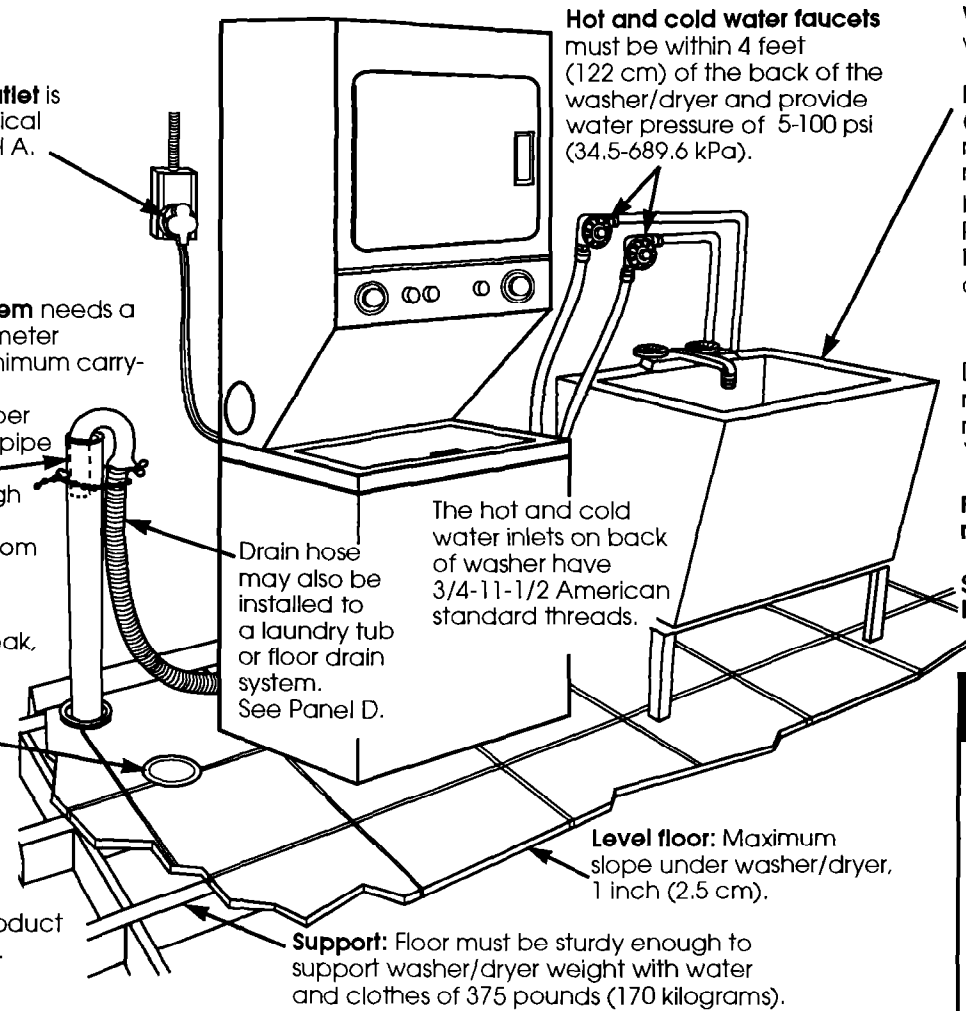
Failure to follow these instructions could result in death or serious injury.

Earthed electrical outlet is required. See "Electrical requirements," Panel A.

Standpipe drain system needs a two-inch (5 cm) diameter standpipe with a minimum carry-away capacity of 17 gallons (64 liters) per minute. Top of standpipe must be at least 28 inches (71 cm) high and no higher than 48 inches (122 cm) from floor.

Floor drain system requires a siphon break, Part No. 285320, available from your authorized parts distributor.

Location should be large enough to fully open dryer door 90°. See "Recessed and closet installation instructions" and "Product dimensions," Panel E.



Water heater: Set to deliver 140°F (60°C) water to the washer.

Laundry tub drain system needs a 20-gallon (76 liters) laundry tub. Top of laundry tub must be at least 28 inches (71 cm) high and no higher than 48 inches (122 cm) from floor. If a longer drain hose is needed, drain hose, Part No. 388423, and hose connection kit, Part No. 285442, are available from your authorized parts distributor.

Dryer may be exhausted from rear or left or right side. Exhausting through the side requires side exhaust kit Part No. 279823. See "Exhaust requirements," Panel B.

Four-inch (10.2-cm) metal exhaust duct is required.

SEE RECESSED AND CLOSET INSTALLATION INSTRUCTIONS ON PANEL E.

CAUTION

Product Damage

Do Not store or operate washer/dryer below 32°F (0°C) (some water may remain in washer). Proper operation of dryer cycles requires temperatures above 45°F (7°C). See *Use & Care Guide* for "Winterizing" information.

Failure to follow these instructions may result in damage from freezing.

WARNING

Personal Injury Hazard

More than one person is required to lift, tilt, or move this washer/dryer because of its weight and size.

Failure to follow these instructions may result in personal injury.

Fire Hazard

- Do Not use or store gasoline, paint, thinners and other flammable materials near washer/dryer. Fumes from such materials could result in fire or explosion.
- Never install washer/dryer up against draperies or curtains or on carpet. To do so may result in a fire.
- Keep any and all items from falling or collecting behind the washer/dryer. Failure to do so may result in a fire.
- Replace all access panels before operating washer/dryer.

Failure to follow these instructions may result in a fire, explosion or electrical shock.

Electrical requirements

WARNING

Electrical Shock Hazard

- Electrical earth is required on this appliance.
- Do Not earth to a gas pipe.
- Do Not modify the power supply cord plug. If it will not fit the outlet, have a proper outlet installed by a qualified electrician.
- Do Not reuse an old power supply cord. Possible electrical shock or fire hazard could occur if old power supply cord is used.
- Do Not have a fuse in the neutral or earthing circuit. A fuse in the neutral or earthing circuit could result in an electrical shock.
- Do Not use an extension cord with this appliance.
- Check with a qualified electrician as to whether the appliance is properly earthed.

Failure to follow these instructions could result in death or serious injury.

If codes permit and a separate earthing wire is used, it is recommended that a qualified electrician determine that the earthing path is adequate.

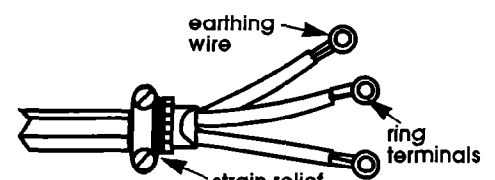
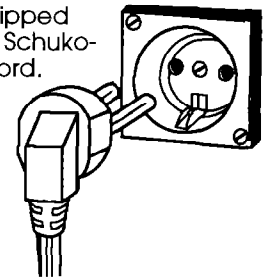
A two-wire, plus earthing wire, single-phase, 230-volt, 50-Hz, AC-only, 15-ampere electrical supply is required on a separate circuit. A time-delay fuse or circuit breaker is recommended.

Recommended earthing method

For your personal safety, this appliance must be earthed. This appliance is equipped with a Schuko-type power supply cord. To minimize possible shock hazard, the cord must be plugged into a mating wall receptacle. See Figures 1 and 2.

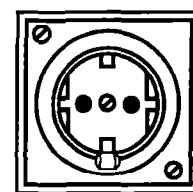
Power supply cord

This appliance is equipped with a 15-amp-rated Schuko-type power supply cord.



Two-wire power supply cord

Figure 1



two-wire receptacle

Figure 2

If your electrical requirements are different, contact your authorized service center or a qualified electrician.

Direct wire

The dryer can be connected directly to the fused, disconnect or circuit breaker box with two-wire or three-wire flexible, armored or non-metallic sheathed copper cable (with earthing wire). Do Not use two-wire with bare earthing wire. All current carrying wires must be insulated.

A conduit connector must be installed at the junction box. USE ONLY 10-GAUGE SOLID COPPER WIRE. DO NOT USE ALUMINUM WIRE. Allow four feet of slack in the line so the dryer can be moved if servicing is ever necessary.

Tools and materials needed for installation:



Exhaust requirements

! WARNING

Fire Hazard

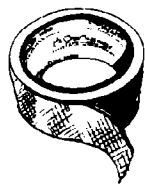
- Do Not use non-metal, flexible duct.
 - Do Not use metal duct smaller than 4 inches (10.2 cm) in diameter.
 - Do Not use exhaust hoods with magnetic latches.
 - Check that exhaust system is not longer than specified. Exhaust systems longer than specified will:
 - Accumulate lint.
 - Shorten the life of the product.
 - Reduce performance and result in longer drying times and increased energy usage.
- Failure to follow specifications may result in a fire.
- Do Not exhaust the dryer into a chimney, furnace cold air duct, attic or crawl space, or any other duct used for venting.
 - Clean the exhaust system every year.
- Accumulated lint could be fuel for a fire or cause moisture damage.
- Exhausting your dryer indoors is Not recommended. The moisture and lint indoors may cause:
 - Lint to gather inside and around the dryer and be a fuel for fire.
 - Moisture damage to woodwork, furniture, paint, wallpaper, carpet, etc.
 - Housecleaning problems and possible health problems.
- Failure to follow these instructions could result in fire damage, personal injury or health problems.

If using an existing exhaust system, clean lint from entire length of exhaust system. Make sure exhaust hood is not plugged with lint.

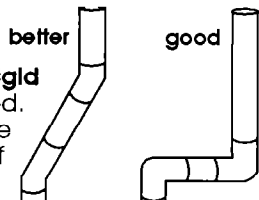
The exhaust system should be inspected and cleaned yearly.

Replace any vinyl or metallized plastic foil exhaust duct with rigid metal or flexible metal duct.

Use duct tape to seal all joints. Do Not use screws to secure duct.



exhaust air flow

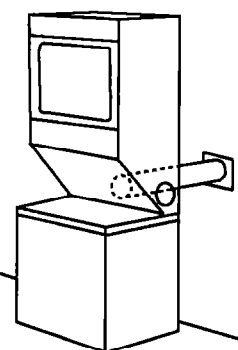


Four-inch (10.2 cm) rigid metal pipe is preferred. Plan installation to use the fewest number of elbows and turns.

Metal flexible duct must be fully extended and supported when the dryer is in its final position. DO NOT KINK OR CRUSH THE DUCT. The metal flexible duct must be fully extended to allow adequate exhaust air to flow.

Allow as much room as possible when using elbows or making turns. Bend duct gradually to avoid kinking. Remove excess flexible duct to avoid sagging and kinking that may result in reduced air flow.

The exhaust duct can be routed up, down, left, right or straight out the back of the washer/dryer. Space requirements are provided on Panel E and on the rear panel of the washer/dryer. Use the straightest path possible to avoid 90° turns.



Maximum length of the exhaust system depends upon the type of duct used, number of elbows and the type of exhaust hood. The maximum length for both rigid and flexible duct is shown in the chart.

Number of 90° turns	A 4" (10.2 cm)	B 4" (10.2 cm)	C 2-1/2" (6.4 cm)	Maximum length of 4" (10.2 cm) diameter
0	43 ft (13.1 m)	41 ft (12.5 m)	36 ft (11.0 m)	rigid metal duct
1	33 ft (10 m)	31 ft (9.4 m)	26 ft (7.9 m)	
2	23 ft (7.0 m)	21 ft (6.4 m)	16 ft (4.9 m)	
3	18 ft (5.5 m)	18 ft (5.5 m)	Not recommended	
0	30 ft (9.1 m)	29 ft (8.8 m)	24 ft (7.3 m)	flexible metal duct
1	24 ft (7.3 m)	23 ft (7.0 m)	18 ft (5.5 m)	
2	16 ft (4.9 m)	15 ft (4.6 m)	10 ft (3.0 m)	
3	10 ft (3.0 m)	9 ft (2.1 m)	Not recommended	

The maximum length using a 2" x 6" rectangular duct with 2 elbows and a 2-1/2" (TYPE C) exhaust hood is 8 ft (2.4 m).

For exhaust configurations other than those listed in chart the back pressure MUST not exceed 0.2 inches water column at the back of the washer/dryer. The back pressure should be checked by a qualified technician.

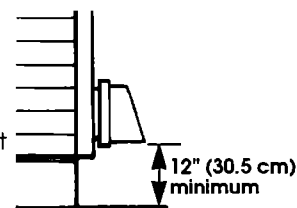
For exhaust systems not covered by the exhaust length chart, check with your dealer or distributor for information.

Service check: The back pressure in any exhaust system used must not exceed 0.2 inches of water column measured with an inclined manometer at the point that the exhaust duct connects to the dryer.

Exhausting the dryer outside is recommended. Recessed installation that is not exhausted outside must use Exhaust Deflector Kit Part No. 694609, available from your authorized parts distributor. See "Recessed and closet installation instructions," Panel E, for unobstructed air opening requirements.

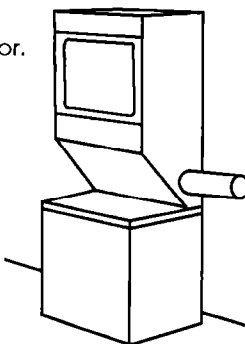
If the washer/dryer is installed in a confined area such as a bedroom, bathroom or closet, it must be exhausted to the outside and provision must be made for enough air for ventilation. Check governing codes and ordinances. Also refer to the "Recessed and closet installation instructions" on Panel E.

An exhaust hood should cap the exhaust duct to prevent exhausted air from returning into dryer. The outlet of the hood must be at least 12 inches (30.5 cm) from the ground or any object that may be in the path of the exhaust.

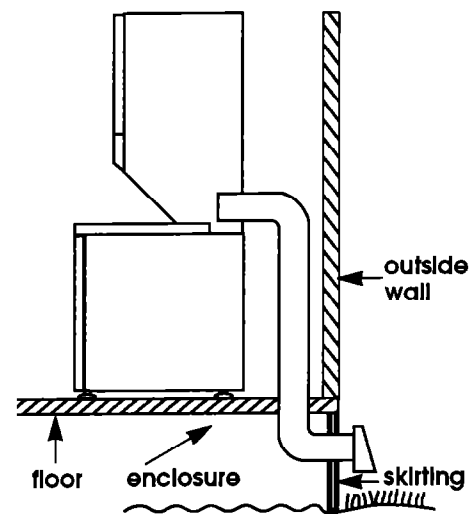


Four-inch (10.2-cm) outlet hood is preferred. However, a 2-1/2 inch (6.4 cm) outlet hood may be used with short systems only. A 2-1/2 inch (6.4 cm) outlet hood can result in longer drying times than other hood types. For permanent installation, a stationary exhaust system is required.

Exhausting the dryer through the side of the washer/dryer requires the use of Side Exhaust Kit, Part No. 279823, available from your authorized parts distributor. Follow kit installation instructions for proper exhaust installation.



Mobile home installation



This appliance is suitable for mobile home installations.

Mobile home exhaust requirements: The washer/dryer must have an outside exhaust. If the dryer is exhausted through the floor and the area under the mobile home is enclosed, the exhaust system must terminate outside the enclosed area. Extension beyond the enclosure will prevent lint and moisture buildup under the mobile home.

Now start...

With washer/dryer in laundry area.

! WARNING

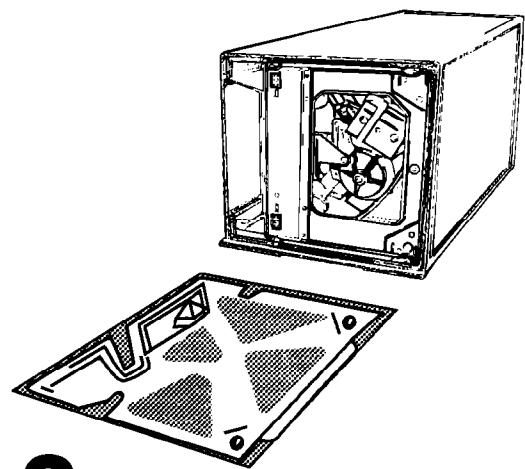
Personal Injury Hazard

More than one person is required to lift, tilt or move the washer/dryer because of its weight and size.

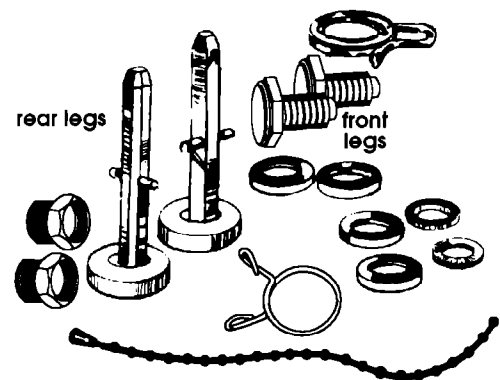
Failure to follow this instruction may result in personal injury.

Truck only from the rear to prevent produce damage.

1. Put on safety glasses and gloves.



2. Remove cardboard shipping base.

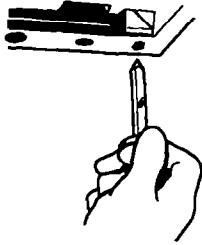


- 4 legs
- 1 drain hose clamp
- 1 plastic beaded strap
- 4 large, water-hose washers

- 2 small water-hose washers
- 1 small clamp
- 2 faucet adapters
- drain hose adapter and clamp (not shown)

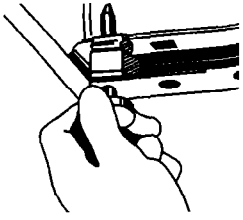
3. Remove parts from plastic package. Check that all parts were included.

4. Insert a rear-leveling leg into the hole in the rear corner on the bottom of the washer/dryer. Push leg in until it snaps into place. Do the same thing with the other leveling leg in the other rear corner.

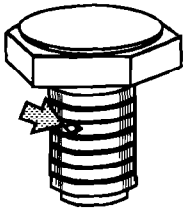


Numbers correspond to steps.

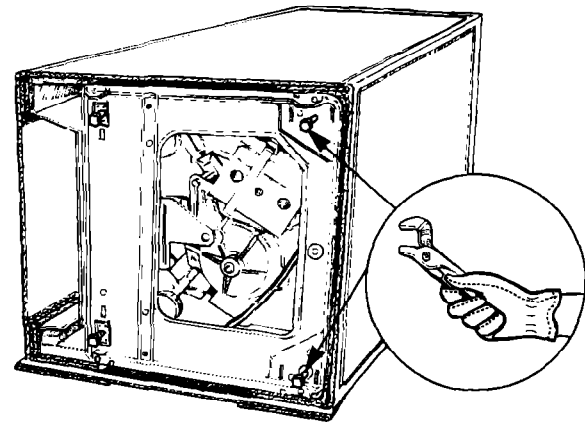
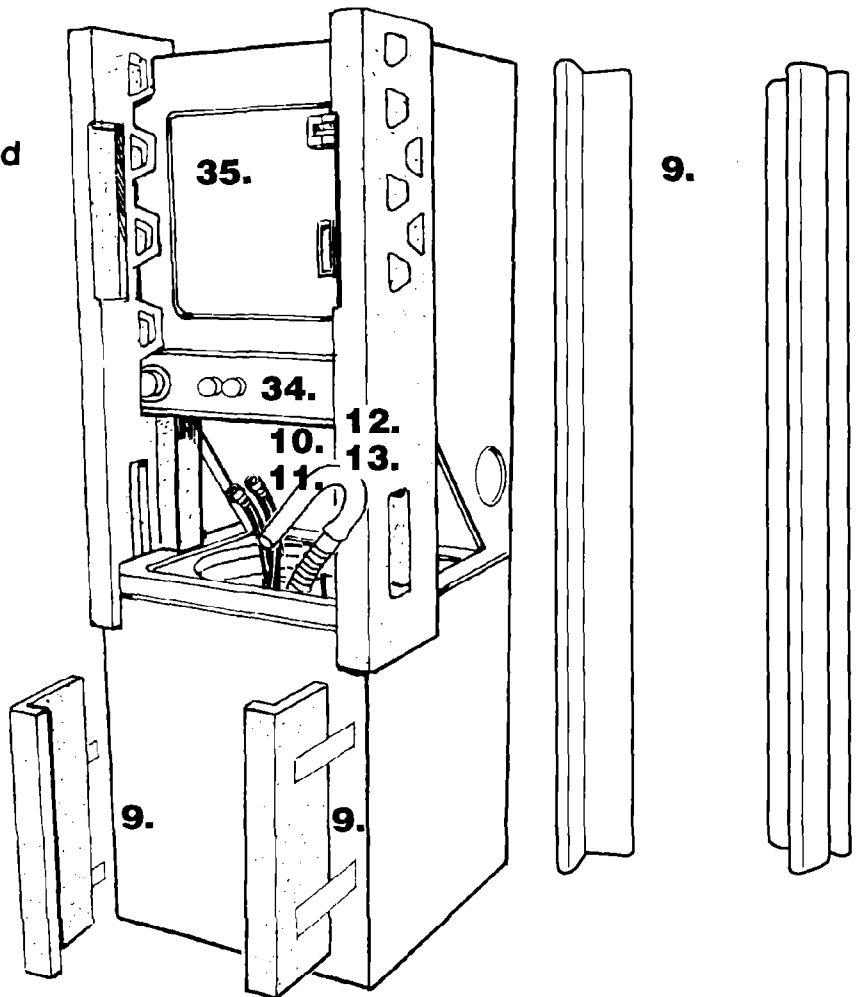
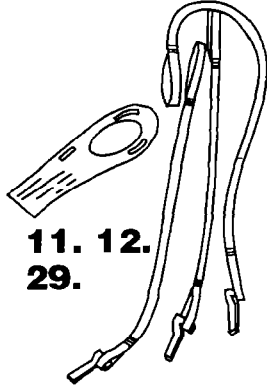
5. Push up one leg; check to see that the other leg goes down. Check the other leg the same way. (If legs do not adjust, repeat Step 4.)



6. With one of the front legs in hand, check the ridges for a diamond marking. That's how far the leg is supposed to go into the hole. Start to screw the legs into the holes in the front corners by hand.



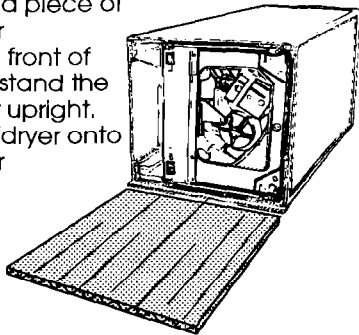
11. 12. 29.



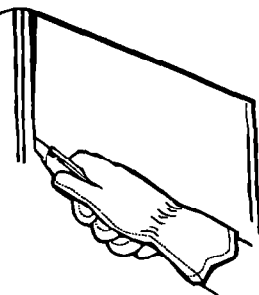
Use slip-joint pliers to finish turning the front legs until you reach the diamond mark.

Slide washer/dryer onto cardboard or hardboard before moving across floor to prevent damage to floor covering.

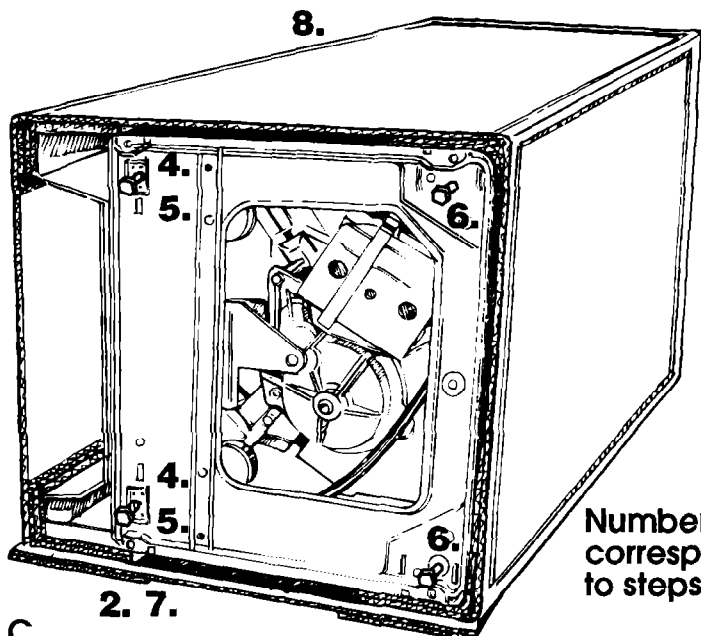
7. Place a piece of cardboard or hardboard in front of carton. Now stand the washer/dryer upright. Slide washer/dryer onto cardboard or hardboard.



To prevent product damage, Do Not remove corner posts inside the carton before cutting.



8. With the corner posts in place, cut the carton down one corner. Remove carton.

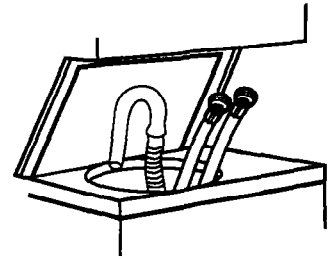
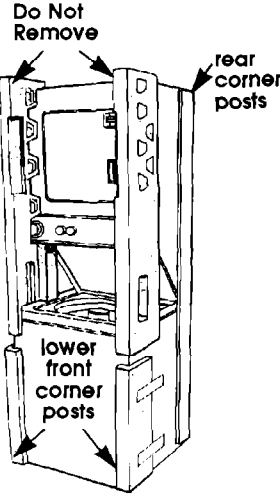


Panel C

2. 7.

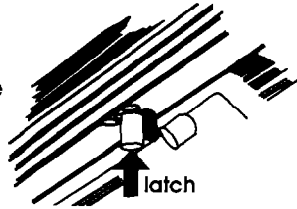
Numbers correspond to steps.

9. Remove the two rear corner posts located at the back of the washer/dryer. Remove the two corner pieces attached to the lower front of the washer/dryer. Do Not remove the foam shipping pieces between the washer and dryer until the washer/dryer is in place.

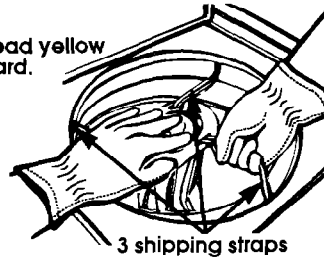


12. Remove yellow card. Take hoses out of basket. Place hoses with other parts.

10. Move foam shipping pieces outward just enough to clear the washer lid. Open the washer lid. The latch under the dryer will hold lid open.

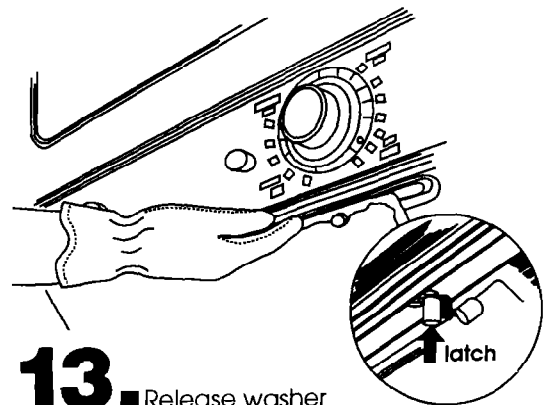
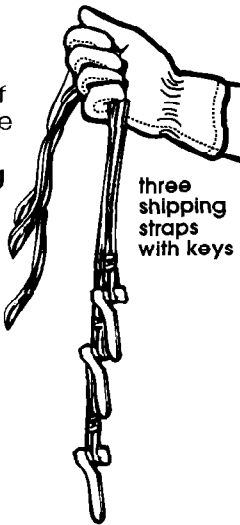


Read yellow card.



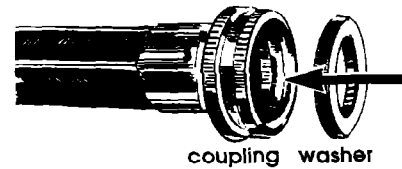
Pull all three shipping straps with keys completely out of washer. Do Not cut shipping straps.

11. Read the yellow card. Place hand on top of agitator when removing the shipping straps. Firmly jerk, then pull the three shipping straps up until each strap with key is completely removed from washer. Put straps in the same area as other shipping pieces.



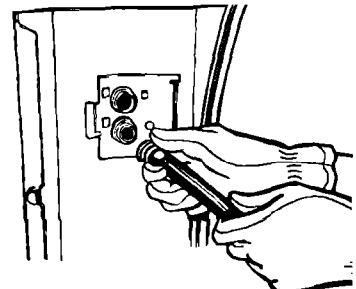
13. Release washer lid by pushing up on latch. Close lid.

Use new hoses and washers that came with your washer/dryer.

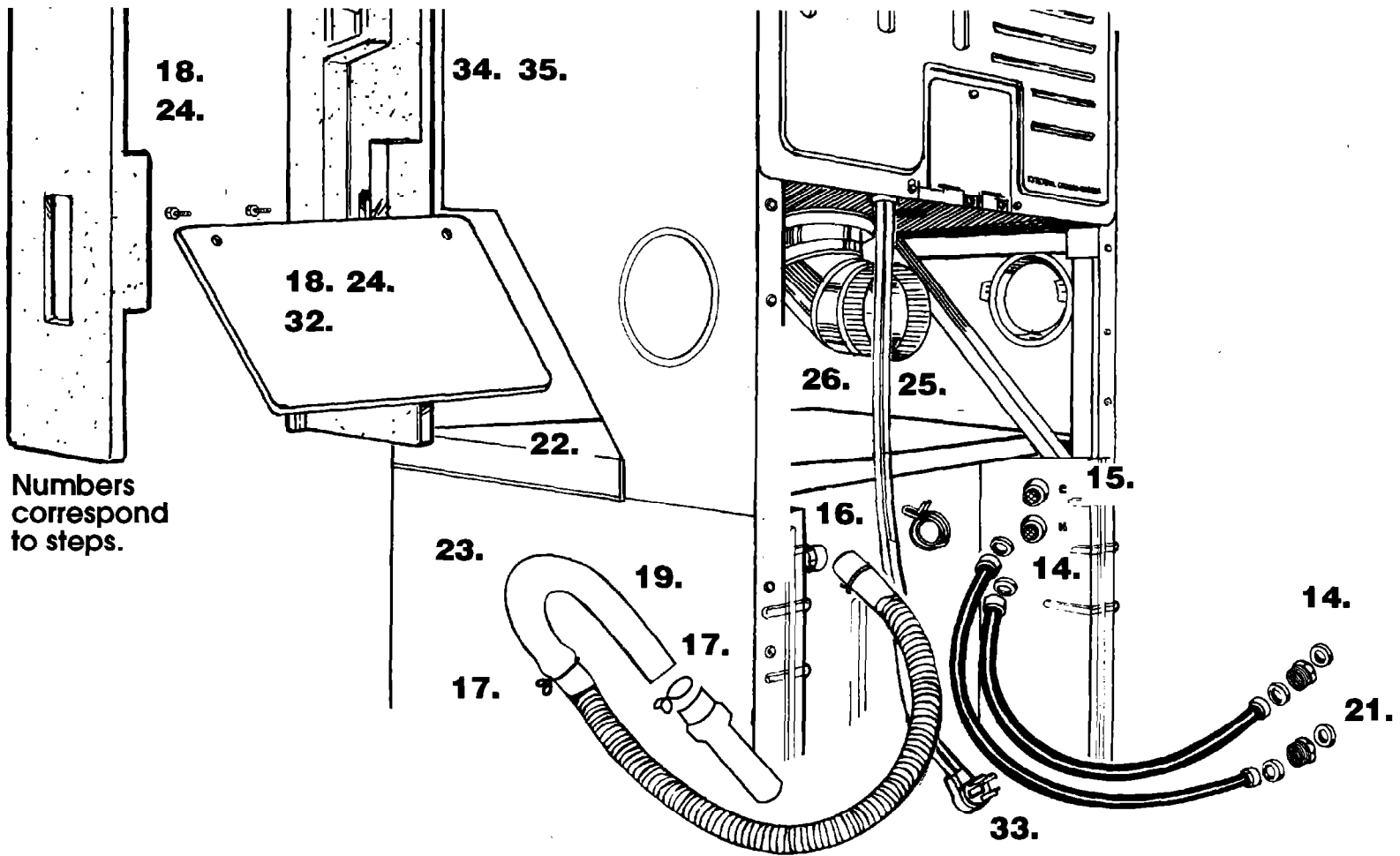


14. Insert a large washer into each end of the inlet hoses. Check that washers are firmly seated in couplings.

Inlet valves are plastic. Do Not overtighten or crossthread.

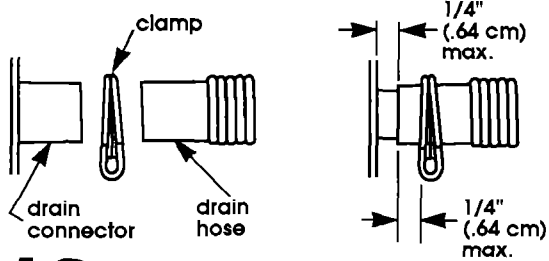


15. Attach inlet hose to bottom inlet valve opening first. Attach second inlet hose to top inlet valve. Tighten couplings by hand; then use pliers to make an additional two-thirds turn. Do Not overtighten; this could cause damage to coupling.



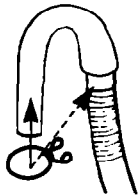
Numbers correspond to steps.

IMPORTANT: THIS PROCEDURE MUST BE FOLLOWED TO ASSURE PROPER INSTALLATION.



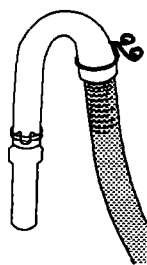
- 16.** To prevent the drain hose from coming off or leaking, it must be installed per the following instructions:
1. Wet the inside end of the drain hose with tap water. **DO NOT USE ANY OTHER LUBRICANT.**
 2. Squeeze ears of small clamp with pliers to open clamp and place clamp over end of drain hose.
 3. While holding clamp open, work end of drain hose onto drain connector.
 4. Position clamp over the drain hose area marked "clamp." Release clamp. Clamp should be 1/4 inch (.64 cm) from end of drain hose.

17. **Standpipe or laundry tub drain system:** Open hose clamp and slide over "hook" end of drain hose to secure the rigid and corrugated sections together.



Floor drain system: Do Not install "hook" end of drain hose to corrugated section. Consult your plumber for proper installation.

If drain hose does not fit into standpipe, install adapter. Open other hose clamp with pliers and place clamp over rigid end of drain hose.



Insert tapered end of adapter into rigid end of drain hose up to stops on the sides of adapter. Secure with clamp.

Slide washer/dryer onto cardboard or hardboard before moving across floor to avoid damaging floor.

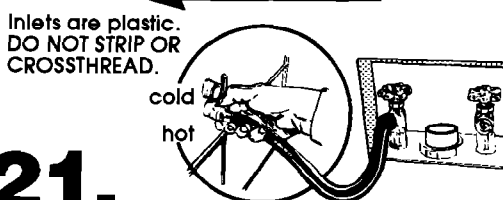
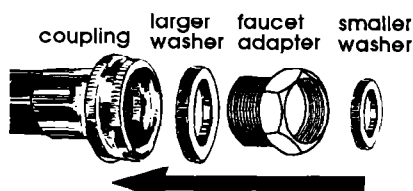
18. If you have room to work from either side of the washer/dryer, move washer/dryer close to final position so you can easily complete the installation steps.

If you are working in a closet or recessed area, move the washer/dryer into final position and remove cardboard/hardboard from under washer/dryer. Remove the two foam shipping pieces between the washer and dryer and place with the other shipping pieces. Remove the two Phillips-head screws located at the top of the access panel. (See illustration for Step 24). Remove access panel and set access panel and screws aside. Complete the following steps through the access area.

Panel D

19. Put "hook" end of drain hose into laundry tub or standpipe. Check for proper length of drain hose.

20. Before attaching water inlet hoses, run water through both faucets into a bucket. This will get rid of any particles in water lines that might clog hoses. Mark which is the hot water faucet.



- 21.**
- For both Inlet hoses: Insert larger washer into end of coupling; then attach faucet adapter. Insert smaller washer into end of faucet adapter.
 - Make sure washers are firmly seated into couplings.
 - Attach bottom hose with adapter (inlet marked "H") to hot water faucet. Attach top hose with adapter (inlet marked "C") to cold water faucet.
 - Tighten couplings to faucets by hand; then use pliers to make final two-thirds turn.
 - Do Not overtighten; this could cause damage to coupler.

Move washer/dryer to its permanent position. Remove cardboard/hardboard from under washer/dryer.

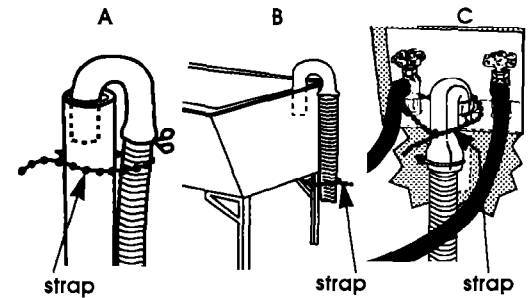


22. Carefully move the washer/dryer into final position.

- Tilt the washer/dryer forward, raising back legs 1 inch (2.5 cm) off the floor so that the rear self-leveling legs will adjust. Gently lower the washer/dryer to the floor.

- Check that the washer/dryer is level by placing a carpenter's level on top of the washer, first side to side, then front to back.
 - If it is not level, adjust the front legs up or down.
 - Tilt the washer/dryer forward, raising back legs 1 inch (2.5 cm) off the floor so that the rear self-leveling legs will adjust. Gently lower the washer/dryer to the floor.
 - Check that the washer/dryer is level. Repeat as needed.

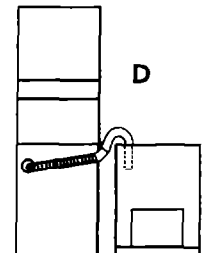
CHECK THAT DRAIN HOSE IS NOT TWISTED OR KINKED AND IS SECURELY IN PLACE.



23. Make sure the "hook" end of drain hose is in laundry tub or standpipe. Wrap the plastic beaded strap around the drain hose and laundry tub or standpipe. Thread beaded end of strap through keyhole end. Pull until strap is tight. Slide strap into narrow end of keyhole to lock strap in place. See Figures A-B.

If the water inlet faucets and drain standpipe are recessed, tightly wrap the plastic beaded strap around the drain hose and faucet body. (Do Not wrap strap around the faucet handles or stems.) Thread beaded end of strap through keyhole end. Pull until strap is tight. Slide strap into narrow end of keyhole to lock strap in place. See Figure C.

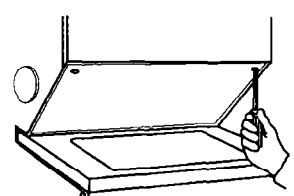
Secure the drain hose to the laundry tub or standpipe with the plastic beaded strap. Failure to properly secure drain hose could result in water damage.



If drain hose cannot be strapped into place, hose must be cut exactly to length so "hook" end is held tightly over edge of laundry tub or standpipe. See Figure D.

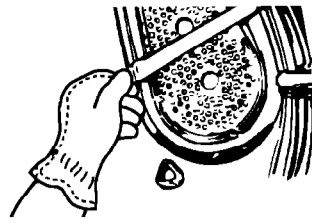
If a longer drain hose is needed, drain hose, Part No. 388423 and Hose Connection Kit, Part No. 285442 are available from your authorized parts distributor. If drain hose must be shortened, use Hose Connection Kit, Part No. 285442.

Note: If washer/dryer is moved to adjust drain hose, the washer/dryer must be leveled again. Repeat Step 22. Place cardboard under the washer/dryer and carefully move washer/dryer to avoid damaging floor covering.



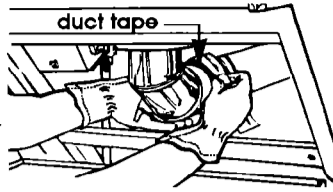
24. If you did not remove the access panel in Step 18, remove the two foam shipping pieces between washer and dryer and place with other shipping pieces. If exhaust duct cannot be connected from the side of the washer/dryer, exhaust duct can be reached from the front through the access panel. Remove the two Phillips-head screws located at the top of access panel. Set access panel and screws aside.

25. Determine the length of exhaust duct that is needed to connect the dryer to the exhaust hood. See "Exhaust requirements," Panel B.



26. Connect exhaust duct to washer/dryer and then to the exhaust hood.

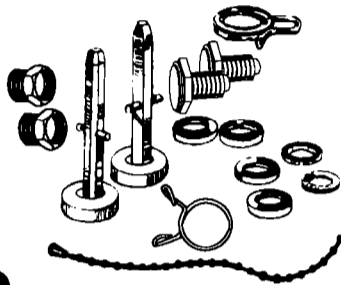
- Use the straightest path possible to avoid 90° turns.



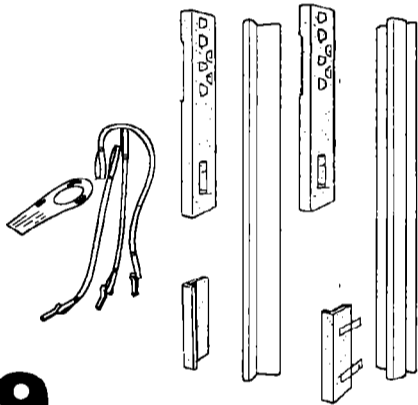
- Use duct tape to seal **all** joints in the exhaust system.
- Use caulking compound to seal exterior wall opening around exhaust hood.

27. CHECK ELECTRICAL REQUIREMENTS. BE SURE YOU HAVE CORRECT ELECTRICAL SUPPLY AND RECOMMENDED EARTHING METHOD.

Check the Installation Instructions to see that you have completed each step. Complete any missed steps before you continue.

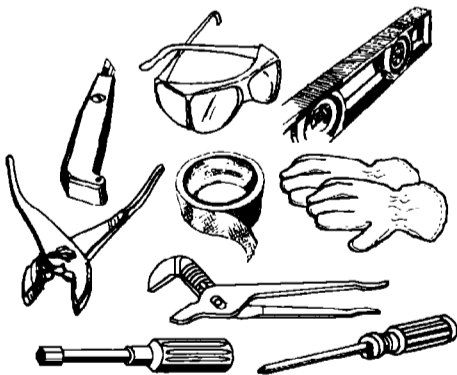


28. Check that all parts are now installed. See parts list, Panel B. If there is an extra part, go back through the steps to see which step was skipped.



29. Check that you removed all the shipping pieces, including the three shipping straps with keys. Dispose of all materials in proper manner.

If you do not remove all three shipping straps, your washer/dryer may "walk" away from its location.



30. Check that you have all your tools.

31. Turn on water faucets and check for leaks. Tighten couplings if there is leaking. **DO NOT OVERTIGHTEN.** This could cause damage to faucets.

32. Replace the access panel. Be sure to tighten screws at each end of the access panel.

33. Plug power supply cord into earthed outlet.

34. Read the Use and Care Guide to fully understand your new washer/dryer. Now start the washer and allow it to complete the regular cycle.

35. Remove tape from dryer door and open dryer door. Remove tape across the dryer lint screen. Check to be sure lint screen is in its proper position. Wipe out drum with a damp cloth to remove any dust. Start dryer and allow it to complete a heat cycle to make sure the dryer is working properly.

36. Finally, save all literature and keep with washer/dryer.

You have just finished installing your new Whirlpool washer/dryer. To get the most efficient use from your new Whirlpool washer/dryer, read your Use & Care Guide.

Congratulations!

Keep Installation Instructions nearby where you can refer to them. They'll make reinstalling your Whirlpool washer/dryer in another home as easy as the first installation.

Recessed and closet installation instructions

! WARNING

Fire Hazard

- It is recommended that the washer/dryer be exhausted to the outside.
- If washer/dryer is installed in a closet, the dryer **MUST** be exhausted outside.

Failure to do so may result in a fire.

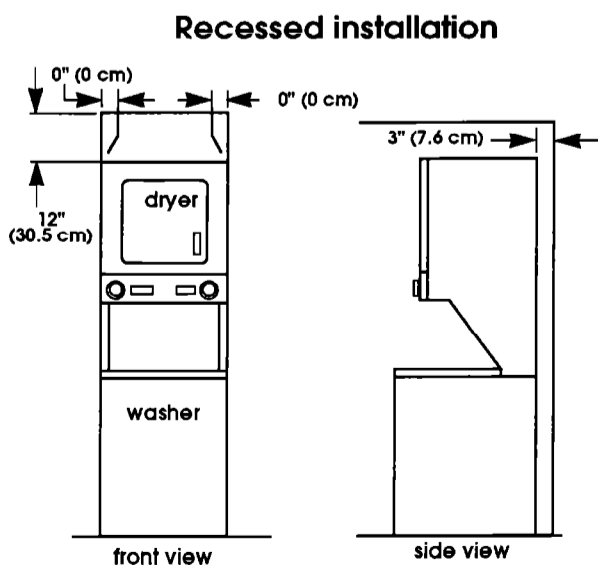
TO PREVENT LARGE AMOUNTS OF LINT AND MOISTURE FROM ACCUMULATING IN THE RECESSED AREA, TO MAINTAIN DRYING EFFICIENCY, AND TO PREVENT EXPOSURE TO POSSIBLE HEALTH HAZARDS, THIS APPLIANCE SHOULD BE EXHAUSTED OUTDOORS.

This washer/dryer may be installed in a recessed area or closet.

The installation spacing is in inches and centimeters and is the minimum allowable. Additional spacing should be considered for ease of installation, servicing and compliance with local codes and ordinances.

If closet door is installed, the minimum unobstructed air openings in top and bottom are required. Louvered doors with equivalent air openings are acceptable. Closet installation must be exhausted.

Other installations must use the minimum dimensions indicated.

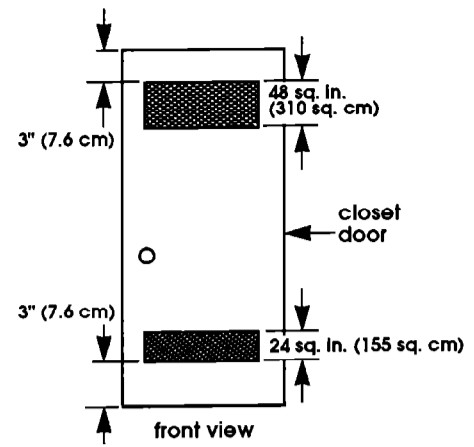


Minimum installation spacing

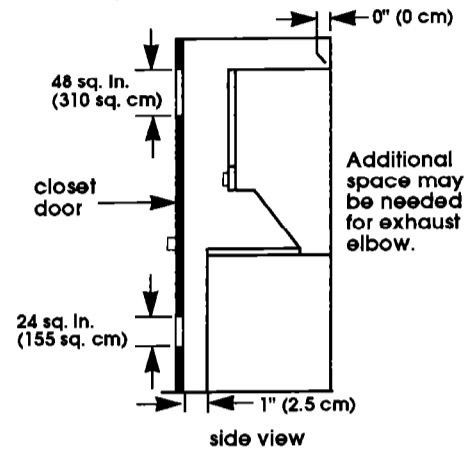
Note: If recessed installation is exhausted, all spacing can be 0 inches (0 cm).

Additional clearance for wall, door and floor molding may be required.

Closet installation



Unobstructed air openings are minimum for closet door. Louvered door with equivalent air openings is acceptable.

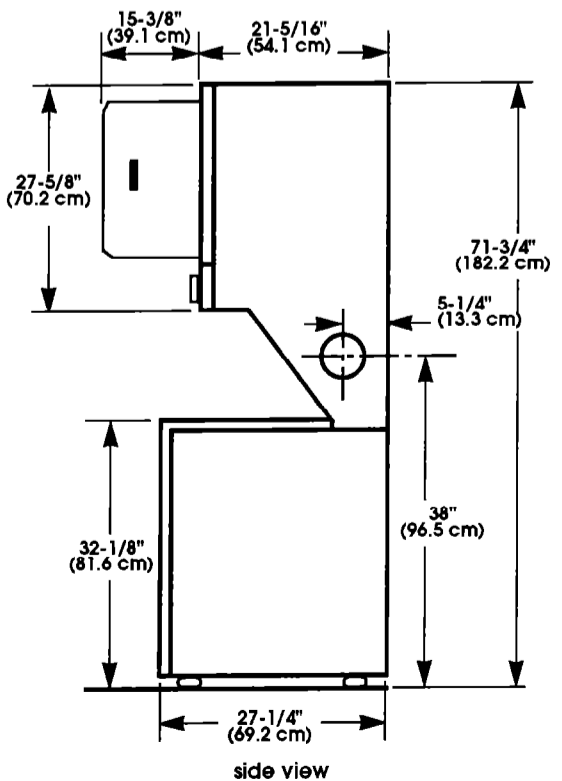
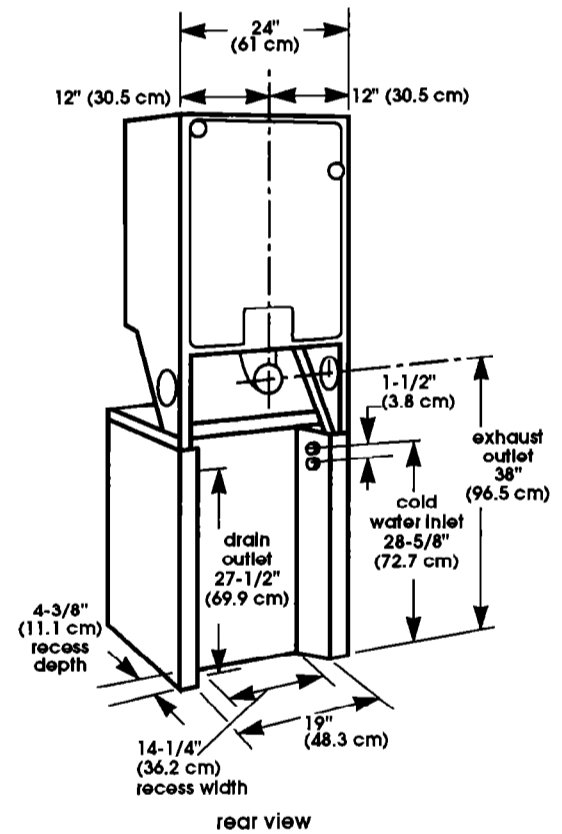


Closet installation must be exhausted outdoors.

Recessed, non-exhausted installation must use only the rear exhaust position and Exhaust Deflector Kit No. 4500 is required.

Product dimensions

(Shown with legs extended 1 inch (2.5 cm) from bottom of washer/dryer.)



If washer/dryer does not operate...

- Check that the circuit breaker is not tripped or the house fuse blown.
- Check that power supply cord is plugged into wall receptacle.
- Check that washer lid or dryer door is closed.
- Check that controls are set in a running or "ON" position.
- Check that dryer "START" button has been firmly pushed.

If you need assistance...

Call your dealer or local authorized service company.

When you call, you will need the washer/dryer model number and serial number. Both numbers can be found on the model/serial rating plate located behind the dryer door on the dryer door well.

When moving the washer/dryer...

- Disconnect the power supply cord. Tape power supply cord securely to washer/dryer.
- Tape the dryer drum to the front panel. Tape the lint screen in place. Tape the dryer door closed.
- Wedge a blanket between the tub ring and cabinet top to restrict washer tub movement.
- Turn front leveling legs all the way in.

