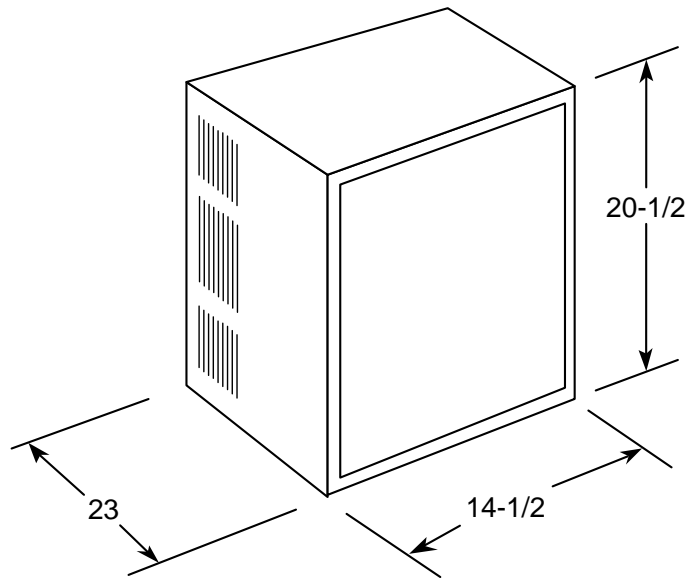




**GE Appliances**

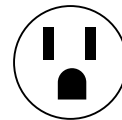
## AGX08FA—GE Slide-Aire Room Air Conditioner

### Wall Case Dimensions (in inches)



**Note:** Fixed chassis unit are not designed for through-the-wall applications.

Parallel



115V

**Wall Outlets:** All wiring, including installation of receptacle, must be made in accordance with local electrical codes and regulations. Electrical outlet should be in reach of line cord.

**Note:** Aluminum building wiring may pose special problems—consult a qualified electrician.

Specification Created 2/02

For answers to your Monogram®, GE Profile™ or GE appliance questions, visit our website at [GEAppliances.com](http://GEAppliances.com) or call GE Answer Center® service, 800.626.2000.



Total volume and shelf area are calculated by the Association of Home Appliance Manufacturers' standards.

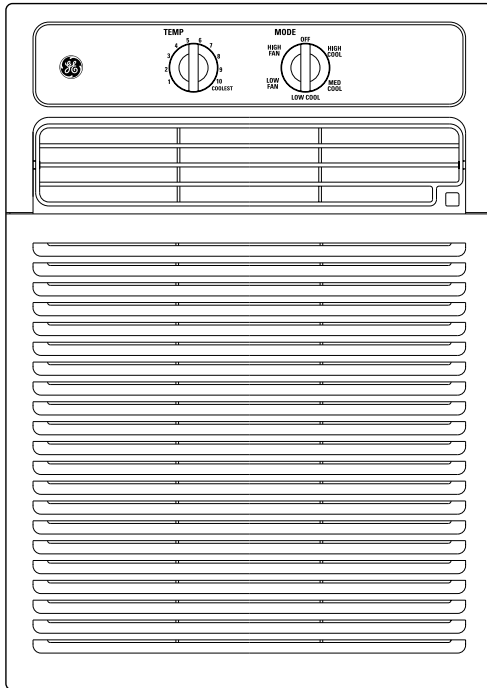


Listed by Underwriters Laboratories



**GE Appliances**

## **AGX08FA—GE Slide-Aire Room Air Conditioner**



### **Features and Benefits**

- 8,000 BTUH/115 Volts
- 9.5 E.E.R
- Mechanical Controls with 10-Position Thermostat
- 3 Cooling/2 Fan Speeds
- 840 Watts / 9.9 Amps
- Fixed Chassis
- Plug Type—Parallel
- V-Standard Mount Installation
- Model AGX08FA