


# 36" (91.4 cm) BOTTOM MOUNT BUILT-IN REFRIGERATOR

## INSTALLATION INSTRUCTIONS

IMPORTANT:  
READ AND  
SAVE THESE  
INSTRUCTIONS.

INSTALLATION  
REQUIRES  
2 OR MORE  
PEOPLE.

**⚠ WARNING**



**Tip Over Hazard**  
Refrigerator is top heavy and tips easily when not completely installed.  
Keep doors taped closed until refrigerator is completely installed.  
Use two or more people to move and install refrigerator.  
Failure to do so can result in death or serious injury.



**KitchenAid®**  
FOR THE WAY IT'S MADE®

**Important:**

- **Installer:** Leave Installation Instructions with the homeowner.
- **Homeowner:** Keep Installation Instructions for future reference.
- **Save** these Installation Instructions for the local electrical inspector's use.

# Before you start...

**Important:**

**Observe all governing codes and ordinances.**

**It is your responsibility to:**


- Comply with installation specifications and dimensions.
- Properly install refrigerator.
- Remove any moldings or decorative panels that prevent the refrigerator from being serviced.
- Make sure that you have these materials necessary for proper installation:  
1/4" (6 mm) copper tubing with shutoff valve

1/4" (6 mm) compression fitting  
6 – #8 x 3" (7.6 cm) wood screws (Longer screws may be required.)  
2 – 2" x 4" x 32" (5 cm x 10 cm x 81 cm) min. wood boards (See Page 4.)

- Assure that floor will support refrigerator weight (more than 600 lb/272 kg), door panels, and contents.
- Provide a properly grounded electrical outlet.
- Assure that location will permit appliance doors to open 90° minimum.

**Your safety and the safety of others is very important.**

We have provided many important safety messages in this manual and on your appliance. Always read and obey all safety messages.

 This is the safety alert symbol. This symbol alerts you to hazards that can kill or hurt you and others. All safety messages will be preceded by the safety alert symbol and the word "DANGER" or "WARNING". These words mean:

## DANGER

You will be killed or seriously injured if you don't follow instructions.

## WARNING

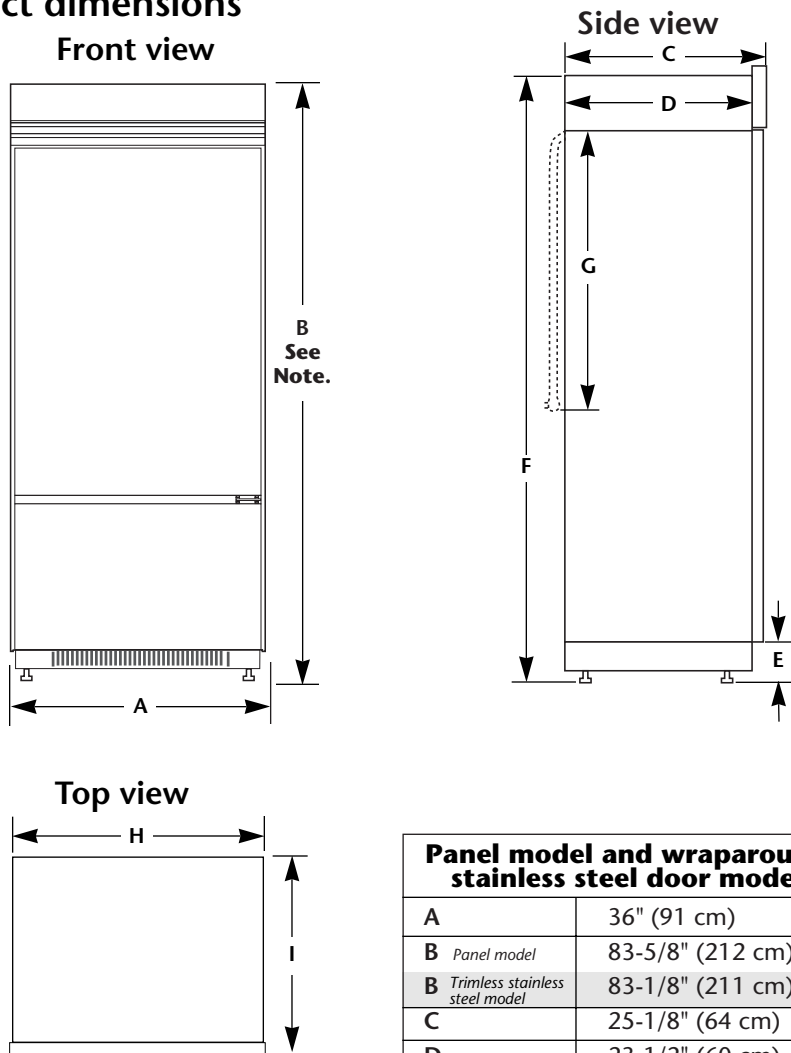
You can be killed or seriously injured if you don't follow instructions.

All safety messages will identify the hazard, tell you how to reduce the chance of injury, and tell you what can happen if the instructions are not followed.

**Keep cardboard shipping piece or plywood under refrigerator until it is installed in the operating position.**

\* Dimensions shown are for leg levelers extended 1/8" (3 mm) below rollers. For levelers fully extended 1-1/4" (32 mm) below rollers, add 1-1/8" (29 mm) to this dimension.

### Product dimensions



Panel model and wraparound stainless steel door model	
A	36" (91 cm)
B <i>Panel model</i>	83-5/8" (212 cm)*
B <i>Trimless stainless steel model</i>	83-1/8" (211 cm)
C	25-1/8" (64 cm)
D	23-1/2" (60 cm)
E	3-1/2" (9 cm)*
F	83-1/8" (211 cm)*
G	24" (61 cm)
H	35" (89 cm)
I	25" (63.5 cm)

## Built-in opening requirements & dimensions

All dimensions  $\pm 1/8"$  (3 mm)

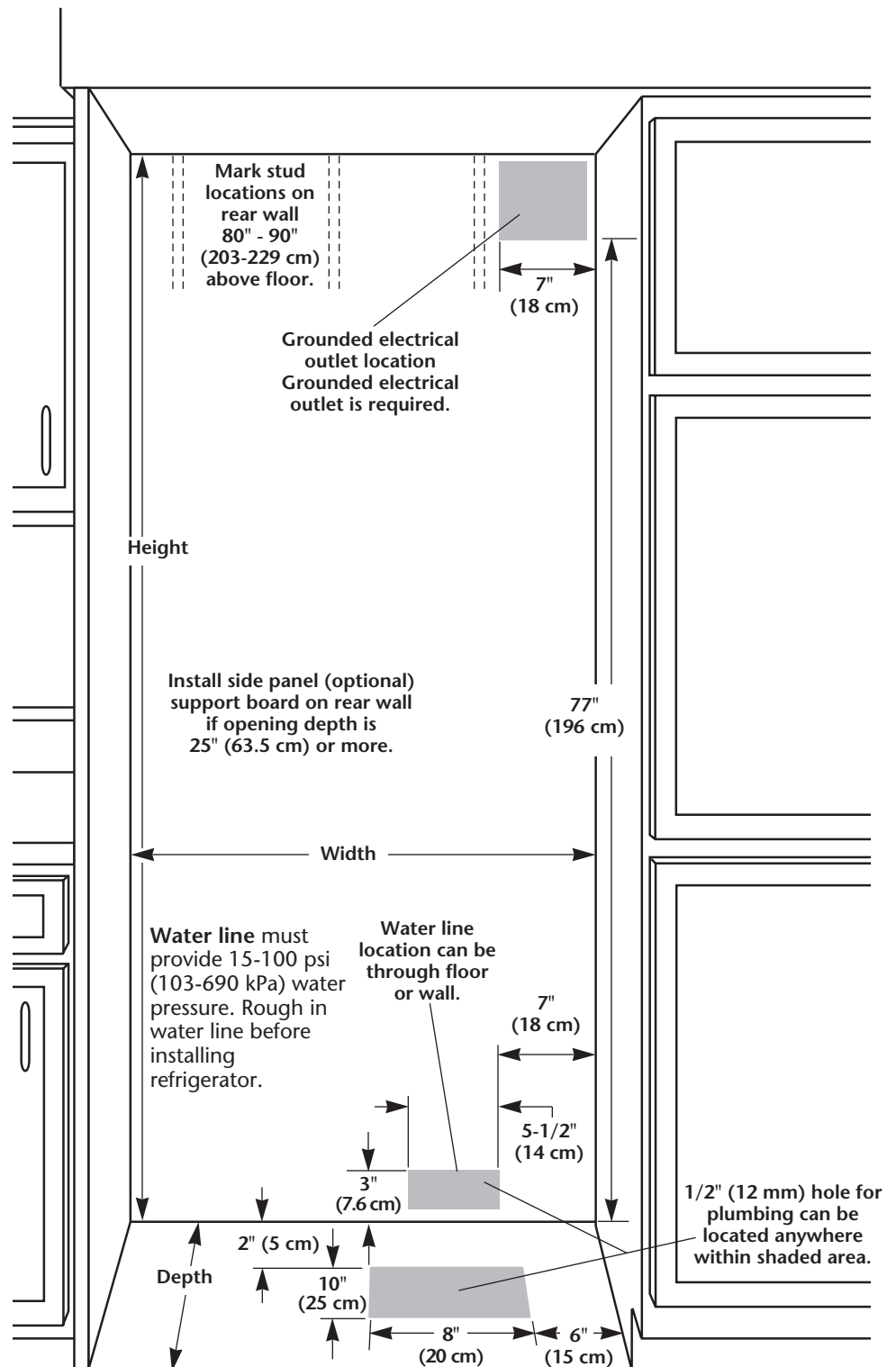
A solid soffit or two, 2" x 4" x 32" (5 cm x 10 cm x 81 cm) wood boards to cover the width of the compressor cover are required above the refrigerator to prevent tipping during use.

If solid soffit is more than 1 inch (2.5 cm) above refrigerator, two 2" x 4" x 32" (5 cm x 10 cm x 81 cm) wood boards must be installed on the wall 1/4 inch (6 mm) above the refrigerator cover. The bottom surface of the boards should be 84 inches (213 cm) from floor. Boards must be long enough to fully cover width of compressor cover.

The built-in refrigerator can be installed:

- recessed in the cabinet opening.
- at the end of cabinets using a side panel to enclose the side of the refrigerator.

Select one method and use dimensions given. Dimensions shown provide 0" (0 cm) clearance.

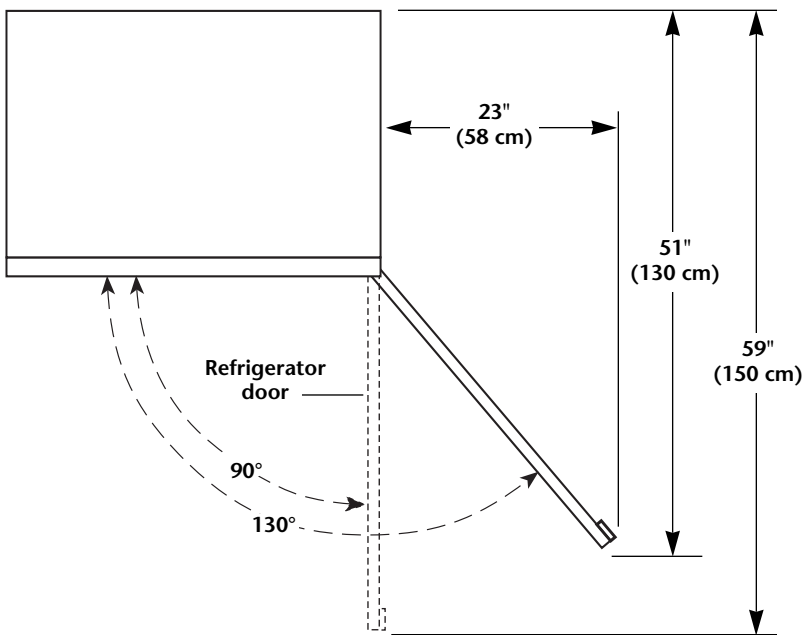


Floor: Must support refrigerator, contents, and door panels.

### Opening dimensions

Width min.	35-1/2" (90 cm)
Height min.	83-1/4" (211.5 cm)
Height max.	84-3/4" (215 cm)
Depth min.	23-1/2" (60 cm)

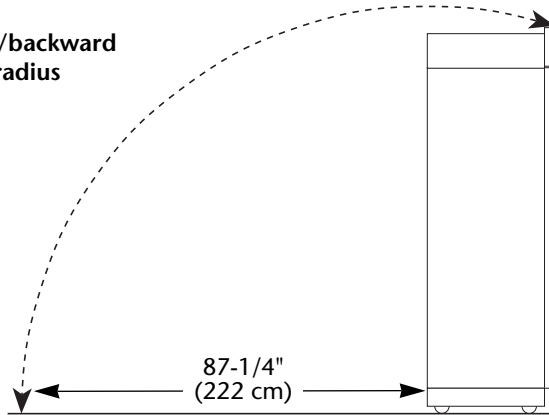
## Door swing dimensions



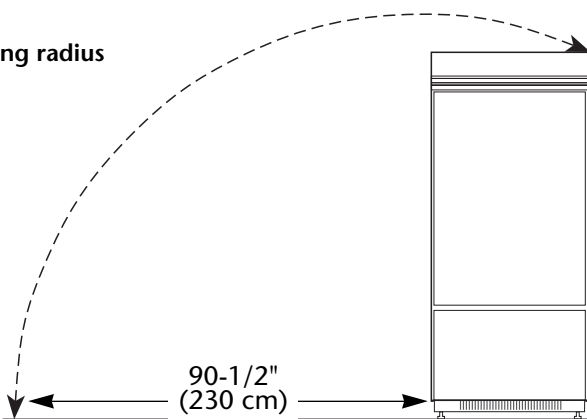
Location must permit doors to open to 90° min. For panel models, allow 1 inch (2.5 cm) min. space between refrigerator side and corner wall. For wraparound stainless steel models, allow 4-1/2 inch (11.5 cm) min. space between refrigerator side and corner wall.

## Tipping radius

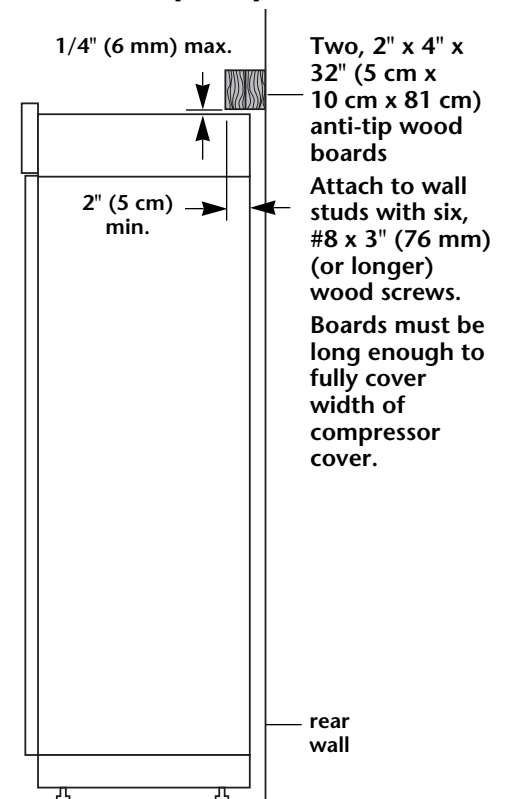
Forward/backward tipping radius



Side tipping radius



## Anti-tip requirements



If boards are placed before installation of refrigerator, locate boards so the bottom surface of the boards are 84 inches (213 cm) from the floor. During installation, raise the refrigerator up so there is 1/4 inch (6 mm) maximum between top of refrigerator and bottom of anti-tip boards.

If solid soffit is 1 inch (2.5 cm) above refrigerator, anti-tip wood boards are not required.

If solid soffit is not available or soffit is more than 1 inch (2.5 cm) above cover, center wood boards on rear wall 1/4 inch (6 mm) maximum above refrigerator. Attach wood boards to wall studs with wood screws — making sure that screws are engaged in wall studs 1-1/2 inch (3.8 cm) minimum and that boards extend 2 inches (5 cm) minimum over the top rear of refrigerator compressor cover.

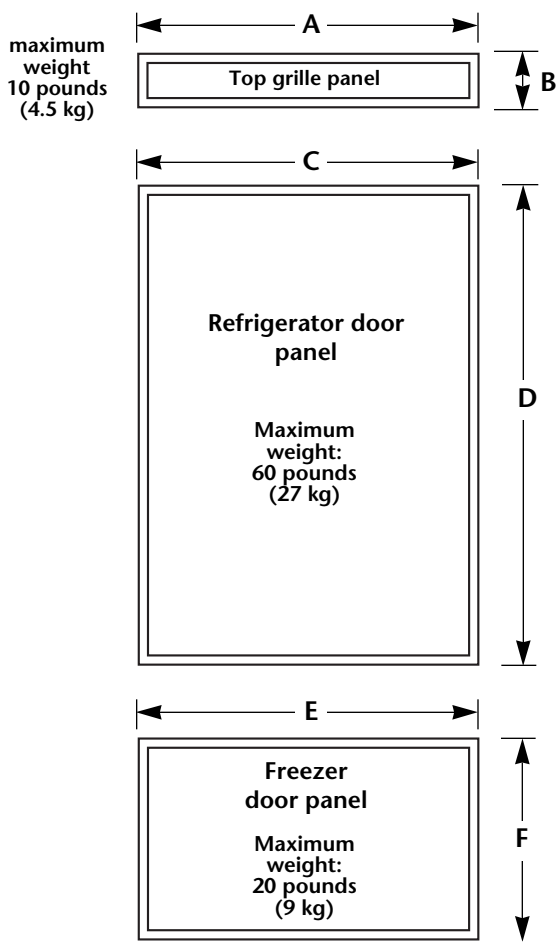
# Parts that must be ordered separately or custom made

72" stainless steel Panel kit, Part number 4392934, is for wraparound stainless steel door models only. It allows 2 units (one left-hand swing and one right-hand swing) to be installed side by side with a single grille.

The custom panel weight must NOT exceed amounts listed. Panels weighing more than amounts listed may cause product damage.

NOTE: Dimensions shown have a  $\pm 1/16$  (1.5 mm) tolerance. Panels that are more than 1/4" (6 mm) thick must be routed. If using routed panels, add 1/16" (1.5 mm) to dimensions shown.

If panels are less than 1/4" (6 mm) thick, install a filler panel between doors and decorative panels.

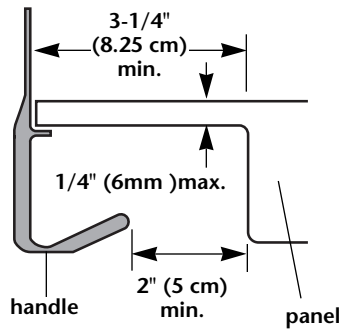


A	35-11/16" (90.7 cm)
B	5-3/8" (13.7 cm)
C	34-1/4" (87 cm)
D	49" (124.5 cm)
E	34-1/4" (87 cm)
F	20-1/4" (51.4 cm)

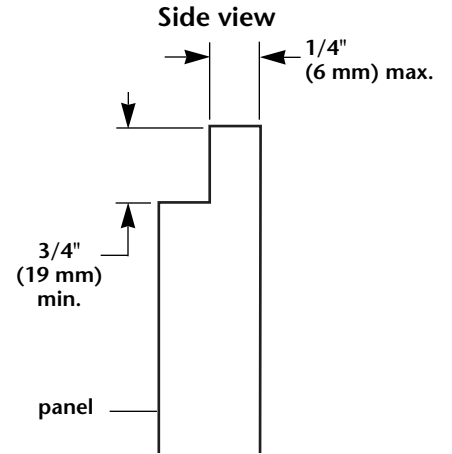
# Panel models and wraparound stainless steel door models

End view of handle side of panel

Custom panels more than 1/4" (6 mm) thick: Route entire length or selected areas of handle side of panels 3-1/4" (8.25 cm).



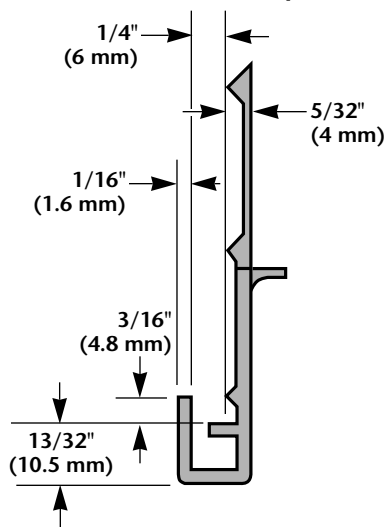
Dimensions for routing panel edges



## Side panels

If side panel will be installed inside side trim and the side panel is more than 1/4" (6 mm) thick, route front edge of panel to fit trim piece.

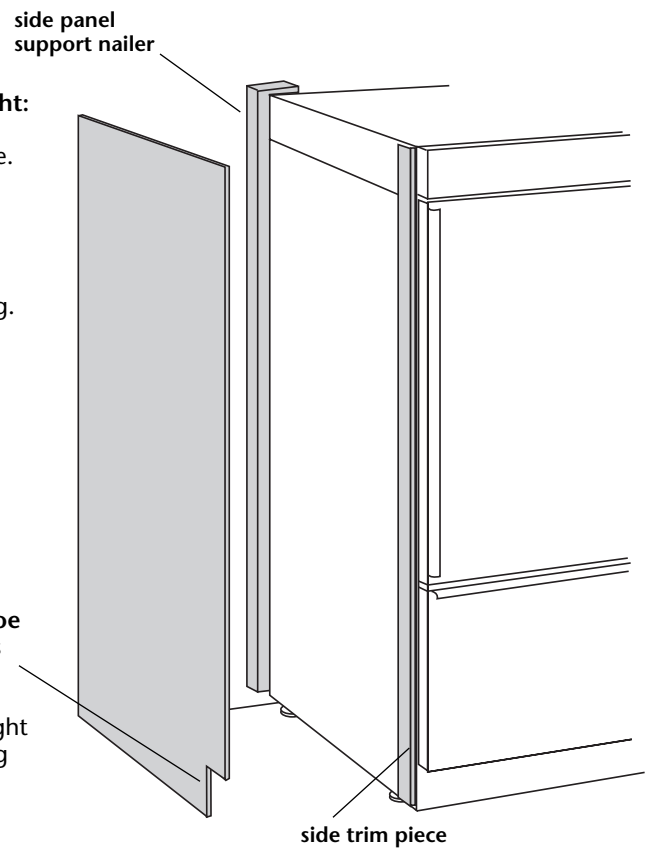
End view of side trim piece



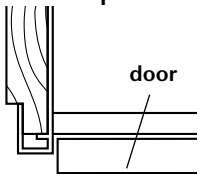
Width and height: depend on installation type.

Thickness: 1/2" (12 mm) minimum to prevent warping.

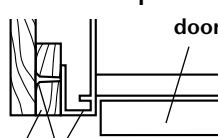
Notches for toe panel recess (if desired). Determine installation height before cutting notches.



side panel inside side trim piece

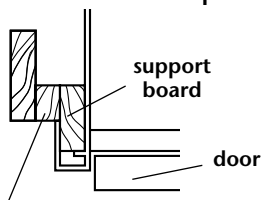


side panel outside side trim piece

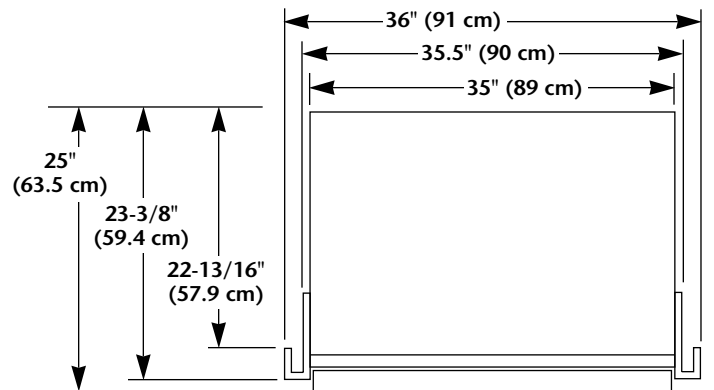


Attach support board with screw or adhesive compatible with aluminum and wood.

recessed side panel outside side trim piece



Route front edge of support board or attach 1/4" board for retention in cabinet side trim.



# Electrical & water supply requirements

## Electrical requirements

### ⚠ WARNING



#### Electrical Shock Hazard

Plug into a grounded 3-prong outlet.

Do not remove ground prong.

Do not use an adapter.

Do not use an extension cord.

Failure to follow these instructions can result in death, fire, or electrical shock.

If codes permit and a separate ground wire is used, it is recommended that a qualified electrician determine that the ground path is adequate.

Do not ground to gas pipe.

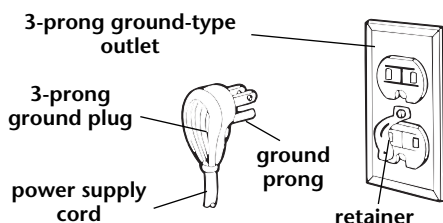
Check with a qualified electrician if you are not sure the appliance is properly grounded.

Do not have a fuse in the neutral or ground circuit.

It is the customer's responsibility:

To contact a qualified electrical installer.

To assure that the electrical installation is adequate and in conformance with the National Electrical Code, ANSI/NFPA 70 — latest edition\* or Canadian Electrical Code, C22.1-1982 and C22.2 No. 01982 (or latest edition)\*\*, and all local codes and ordinances.



A 120-volt, 60-Hz, AC-only, 15- or 20-ampere, fused, electrical supply is required. A time-delay fuse or circuit breaker is recommended. It is recommended that a separate circuit serving only this appliance be provided. This appliance is equipped with a power supply cord having a 3-prong ground plug. To minimize possible shock hazard, the cord must be plugged into a mating 3-prong, ground-type outlet, grounded in accordance with the National Electrical Code, ANSI/NFPA 70 — latest edition\* or Canadian Electrical Code, C22.1-1982 and C22.2 No. 01982 (or latest edition)\*\*, and all local codes and ordinances.

Copies of the standard listed may be obtained from:

\* National Fire Protection Association  
Battery March Park  
Quincy, Massachusetts 02269

\*\* Canadian Standard Association  
178 Rexdale Boulevard  
Etobicoke, Ontario M9W 1R3

## Water supply requirements

Use only 1/4" (6 mm) copper tubing for water line.

Do Not install copper tubing in area where temperatures drop below 32°F (0°C).

Before attaching copper tubing to refrigerator, flush at least 2 quarts (1.9 L) of water through the copper tubing and into a bucket to get rid of any particles in the water line.

Do Not overtighten clamp or sleeve. This will crush copper tubing.

Check for leaks around saddle valve.

Water line to refrigerator must provide 15-100 psi (103-690 kPa) water pressure.

To calculate length of 1/4" (6 mm) O.D. copper tubing needed:

1. Locate a vertical 1/2" (1.2 cm) to 1-1/4" (3.2 cm) COLD water line near refrigerator area. A horizontal COLD water line can be used if directions in Step 4 are carefully followed.

2. Measure distance from cold water line to refrigerator area. Add 24" (61 cm) to this measurement.

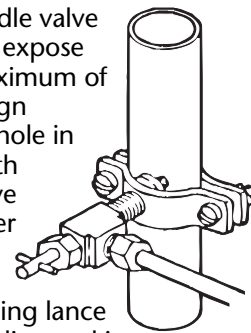
To rough in water line:

3. Turn OFF main water supply. Turn ON nearest faucet long enough to clear line of water.

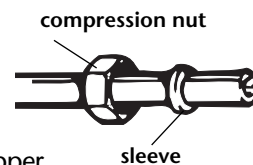
4. **Vertical cold water line:** Use grounded electric drill or hand drill to drill 3/16" (4.5 mm) hole in an easily accessible location in water line.

**Horizontal cold water line:** Use grounded electric drill or hand drill to drill 3/16" (4.5 mm) hole in the top of the water line. This will keep sediment from collecting in valve.

5. Position washer over hole in water line. Turn saddle valve handle clockwise to expose piercing lance a maximum of 3/16" (4.5 mm). Align piercing lance over hole in water line. Place both halves of saddle valve bracket against water line. Turn saddle valve handle clockwise until piercing lance enters hole in water line and is firmly seated. The saddle valve is not in the closed position. Tighten packing nut. Evenly and firmly tighten bracket screws so washer will make a water-tight connection. **Do Not overtighten screws; copper tubing could be crushed.**



6. Check that both ends of copper tubing are cut square. Slide compression nut and sleeve onto copper tubing. Insert end of copper tubing completely into valve outlet. Tighten compression nut to outlet with adjustable wrench. **Do Not overtighten.**



7. Turn on main water supply. Check for leaks. Turn saddle valve handle counterclockwise and run water through copper tubing and into a bucket. Turn saddle valve handle clockwise to shut off water to copper tubing.

8. Route copper tubing to refrigerator area.

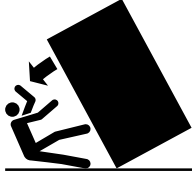
# Installation steps

## Parts supplied for installation:

- base grille
- miscellaneous parts bag

Check that all parts were included.

## ⚠ WARNING



### Tip Over Hazard

Refrigerator is top heavy and tips easily when not completely installed.

Keep doors taped closed until refrigerator is completely installed.

Use two or more people to move and install refrigerator.

Failure to do so can result in death or serious injury.

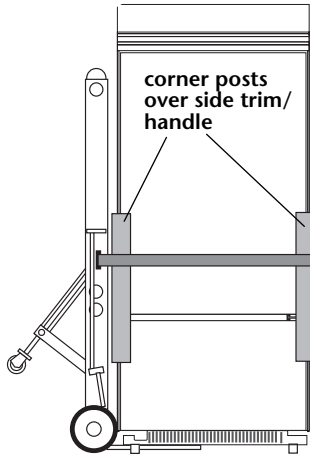
Do Not lower the refrigerator against the shipping base when removing the shipping base.

Do Not remove protective film until refrigerator is in operating position.

All four leveling legs must contact the floor to support and stabilize the full weight of the refrigerator.

Keep cardboard shipping piece or plywood under refrigerator until it is installed in operating position.

1. Remove and save literature package and parts bag taped to refrigerator door. Remove four brackets (two on each side) attaching shipping base to refrigerator bottom. Do not remove tape and door bracing until refrigerator is in final position.

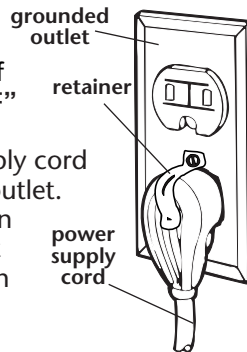


2. Place appliance dolly under the freezer side of refrigerator and loosely wrap dolly strap around refrigerator. Insert carton corner posts between strap and side trim and handles. Carefully tighten strap, making sure side trim and handles are protected.

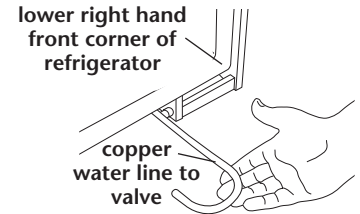
3. Place pieces of shipping carton on the floor when rolling dolly and refrigerator into the house. Move refrigerator close to built-in opening.

4. Set power switch at top of cabinet to "OFF" position.

Plug power supply cord into grounded outlet. Install retainer on grounded outlet using screw from parts bag.

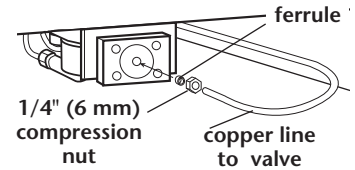


5. Place top of cardboard carton or plywood under refrigerator. Remove dolly. Open both doors and remove all boxes, parts packages and packing materials from refrigerator and freezer compartments. Do Not remove protective film. Move the refrigerator straight back and evenly into the opening. Check that:
  - copper tubing is not kinked.
  - power supply cord is on top of refrigerator next to cover.



Check that water supply line has been flushed. See Page 7.

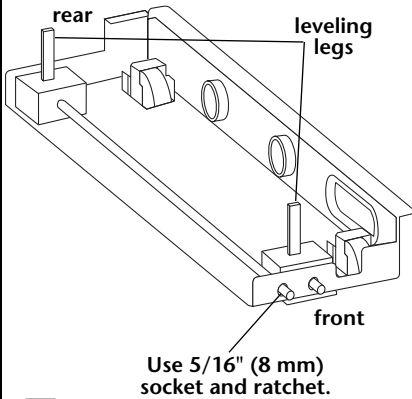
6. Pull water supply line out from underneath refrigerator. Carefully make a 3-1/2" or less (180°) hook-shaped end in the water supply line.



Do not kink water supply line. Remove cap from water valve. Slide compression nut, then ferrule, onto water supply line. Insert water supply line completely into water valve. Tighten compression nut to water valve. Do not overtighten.

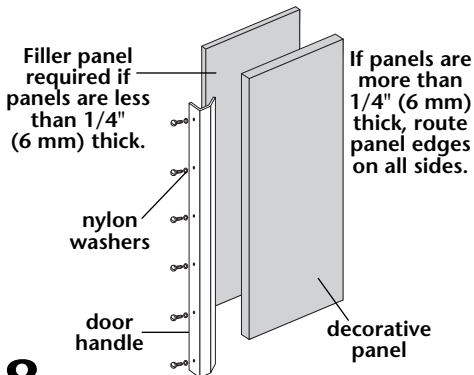
Turn water supply line valve to "Open" position. Turn refrigerator switch to "On" position. Wait a few minutes. Check water line connections for leaks.





**7.** Use socket wrench to turn leg levelers on both sides of refrigerator to the right (clockwise) until refrigerator weight is supported by leveling legs. The rollers should be off the floor.

**Note:** All four leveling legs must contact the floor to support and stabilize the full weight of refrigerator. Rollers are for moving refrigerator and not for permanent support.

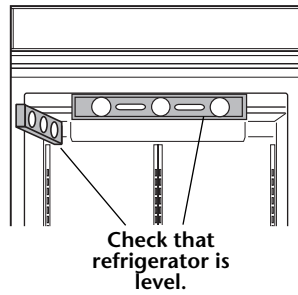


**8. Wraparound stainless steel door models:** go to step 9.

**Panel models:** Remove all tape and door bracing from refrigerator and freezer doors. Remove screws attaching handles to door frames. Slide decorative door panels into door frames.

**If panels are less than 1/4" (6 mm) thick,** install a filler panel between door and decorative panel.

**If panels are more than 1/4" (6 mm) thick,** route panel edges on all sides.



**9.** Open door. Place a level against inside top of refrigerator as shown. Adjust leveling legs until refrigerator is level. Check that all four leveling legs contact floor and support the full weight of the refrigerator. Door panels need to be installed before leveling.

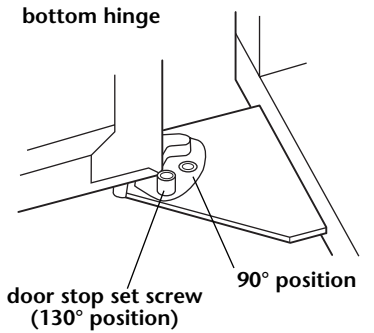
**10.** Check the alignment of the refrigerator door.

**If the refrigerator door needs to be adjusted left or right or in or out,** loosen the 3/8" hex head screws in top hinge.

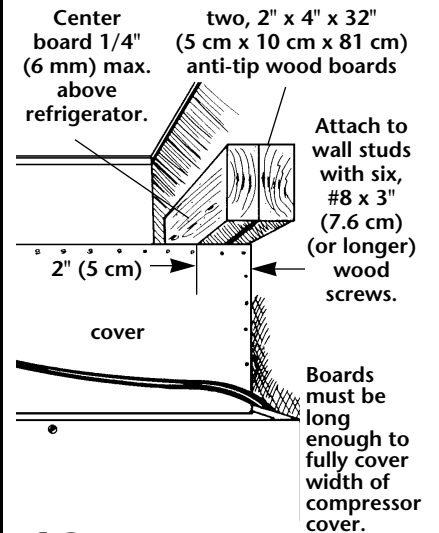
**11.** Replace door handles.

**If door handles are not aligned,** loosen all handle screws and adjust door handles as needed. Tighten screws.

**If any of the white door screws (white trim models only) are damaged,** replace them with additional screws provided in the parts package.

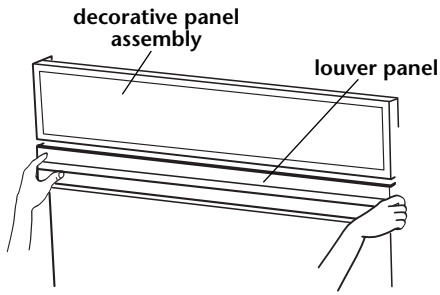


**12.** Check that the refrigerator door can open freely. If door opens too wide, remove door stop screw from bottom door hinge. Hold door open to a position that is less than 90°. Replace door stop screw in the 90° door stop position in bottom hinge and tighten screw. If door does not clear countertop after door has been adjusted, countertops may need to be mitered.



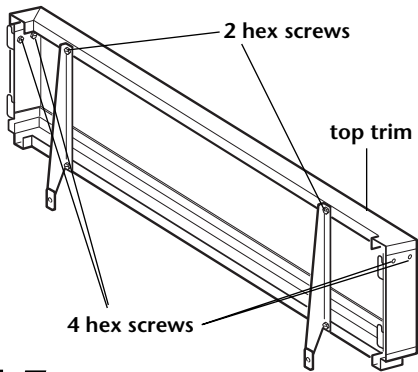
**13.** If solid soffit is 1 inch (2.5 cm) above refrigerator, anti-tip wood boards are not required.

**If solid soffit is not available or soffit is more than 1 inch (2.5 cm) above refrigerator,** locate wall studs in refrigerator opening. Center one wood board on rear wall 1/4 inch (6 mm) maximum above refrigerator. Attach wood board to wall studs with wood screws — making sure that screws are engaged in wall studs 1-1/2 inches (3.8 cm) minimum. Attach second wood board to the front of the first board. Wood boards must extend 2 inches (5 cm) minimum over the top rear of the refrigerator compressor cover.



**14. Wraparound stainless steel door models:** go to step 17.

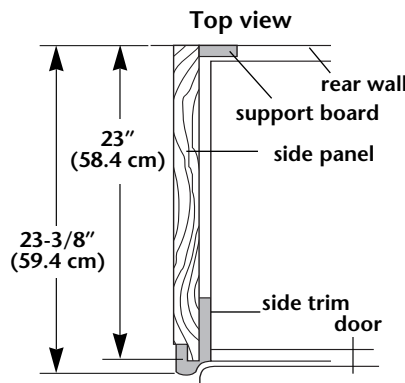
**Panel models:** Remove louver panel by grasping both ends, lift up then pull straight out. Remove decorative panel by removing the attachment screw on each end of the two mounting brackets. Once the screws are removed, slide panel down then pull straight out.



**15. Panel models:** Remove two hex screws that attach grille mounting bracket to top trim. Remove four hex screws that attach top trim to side trim (two on each side). Lift off top trim. Slide decorative panel in from the top. Reattach top trim to side trim with four hex screws (two on each side). Reattach grille mounting bracket to top trim with two hex screws.

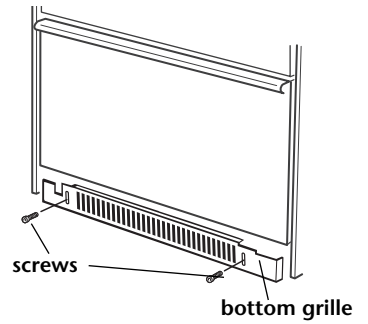
**16. Panel models:** Reattach decorative panel and louver panel.

**17.** If side panels are not used, go to Step 18.  
If built-in area depth is 25" (63.5 cm) or more, side panels can be installed inside the side trim or attached to the outside of the side trim.



- **Inside side trim piece:** Slide front edge of routed side panel into trim piece. Nail rear edge of panel to support board.

**NOTE:** KitchenAid is not responsible for the removal or addition of molding or decorative panels that would prevent the refrigerator from being serviced.



**18.** Open refrigerator door and remove protective film from door frame. Recheck water connections at bottom of refrigerator for leaks. Attach bottom grille to cabinet with two screws. Install shelves and bins in refrigerator and freezer compartments.

**19.** Set refrigerator and freezer compartment controls to the midpoint between "COLD" and "COLDEST." Check that the compressor is operating properly and that all six lights are working.

To get the most efficient use from your new built-in refrigerator, read your KitchenAid Use and Care Guide. Keep Installation Instructions and Guide close to built-in refrigerator for easy reference.

# RÉFRIGÉRATEUR SUPERPOSÉ ENCASTRÉ DE 91 CM (36 PO)

## INSTRUCTIONS D'INSTALLATION

IMPORTANT :  
LIRE ET  
CONSERVER CES  
INSTRUCTIONS.

L'INSTALLATION  
NÉCESSITE  
L'INTERVENTION  
DE 2 PERSONNES  
OU PLUS.

### **⚠ AVERTISSEMENT**



#### **Risque de basculement**

**Le réfrigérateur est lourd au sommet et bascule facilement lorsqu' il n'est pas complètement installé.**

**Garder les portes fermées avec un ruban adhésif jusqu'à l'installation complète du réfrigérateur.**

**Deux personnes ou plus doivent déplacer et installer le réfrigérateur.**

**Le non-respect de ces instructions peut causer un décès ou une blessure grave.**

**KitchenAid®**  
BIEN PENSÉ, BIEN FABRIQUÉ®

### Important :

- **Installateur :** Remettre les instructions d'installation au propriétaire.
- **Propriétaire :** Conserver les instructions d'installation pour référence ultérieure.
- **Conserver** ces instructions d'installation pour consultation par l'inspecteur local des installations électriques.

## Avant de commencer...

### Votre sécurité et celle des autres sont très importantes.

Nous donnons de nombreux messages de sécurité importants dans ce manuel et au sujet de votre appareil ménager. Assurez-vous de toujours lire tous les messages de sécurité et de les respecter.



Ce symbole d'alerte de sécurité vous signale les dangers susceptibles de causer un décès et des blessures graves à vous et à d'autres. Tous les messages de sécurité seront précédés du symbole d'alerte de sécurité et du mot «DANGER» ou «AVERTISSEMENT». Ces mots signifient :

## DANGER

Risque certain de décès ou de blessure grave si vous ne suivez pas les instructions.

## AVERTISSEMENT

Risque possible de décès ou de blessure grave si vous ne suivez pas les instructions.

Tous les messages de sécurité identifient le danger et vous indiquent comment réduire le risque de blessure et ce qui peut se produire en cas de non-respect des instructions.

Conserver la plaque en carton ou en contreplaqué de l'emballage sous le réfrigérateur jusqu'à ce qu'il soit installé à sa position de service.

\* Les dimensions indiquées correspondent à la situation où les pieds de réglage de l'aplomb dépassent de 3 mm (1/8 po) au-dessous des roulettes. Lorsque les pieds sont totalement déployés de 32 mm (1 1/4 po) au-dessous des roulettes, ajouter 29 mm (1 1/8 po) à cette dimension.

### Important :

Respecter toutes les prescriptions des codes et règlements en vigueur.

C'est à l'installateur qu'incombe la responsabilité de :

- Respecter les spécifications et dimensions d'installation.
- Installer le réfrigérateur convenablement.
- Enlever toutes moulures ou panneaux décoratifs qui préviennent l'entretien du réfrigérateur.
- Vérifier que tout le matériel nécessaire à une installation convenable est disponible:

**Tube en cuivre de 6 mm (1/4 po) avec robinet d'arrêt**

**Raccord à compression, 6 mm (1/4 po)**

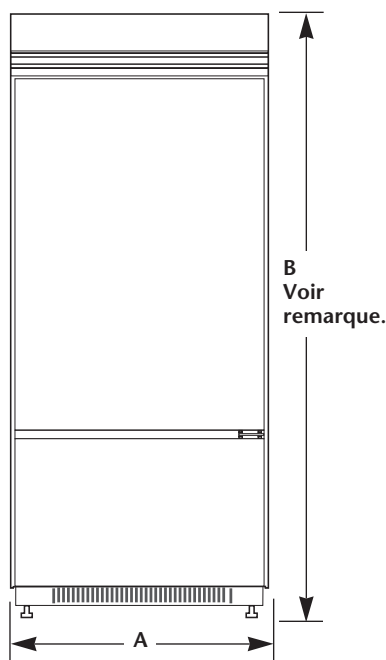
**6 vis à bois n° 8 x 7,6 cm (3 po) (il peut être nécessaire d'utiliser des vis plus longues)**

**2 morceaux de bois de 5 cm x 10 cm x 81 cm (2 po x 4 po x 32 po) min. (voir page 4)**

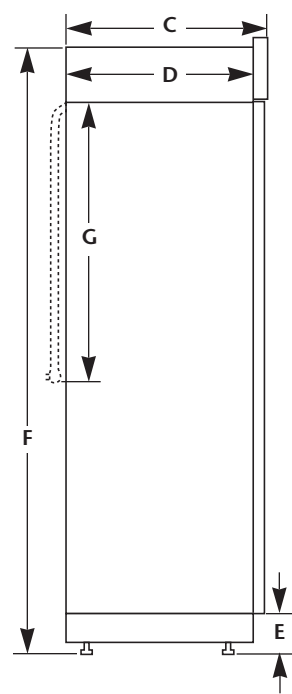
- Vérifier que la résistance du plancher lui permet de soutenir le poids du réfrigérateur (plus de 272 kg/600 lb), des panneaux de portes et du contenu.
- Fournir une prise de courant convenablement reliée à la terre.
- Vérifier que l'emplacement d'installation permet l'ouverture de la porte du réfrigérateur à au moins 90°.

## Dimensions du produit

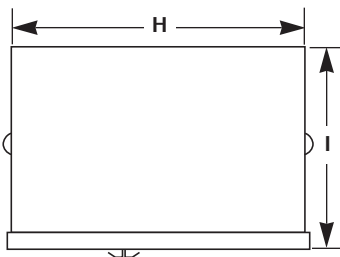
Vue avant



Vue latérale



Vue de dessus



### Modèle à panneaux et modèle à portes en acier inoxydable

<b>A</b>	91 cm (36 po)
<b>B</b> <i>Modèle à panneaux</i>	212 cm (83 5/8 po)*
<b>B</b> <i>Modèle à portes en acier inoxydable sans garniture</i>	211 cm (83-1/8 po)
<b>C</b>	64 cm (25 1/8 po)
<b>D</b>	60 cm (23 1/2 po)
<b>E</b>	9 cm (3 1/2 po)*
<b>F</b>	211 cm (83 1/8 po)*
<b>G</b>	61 cm (24 po)
<b>H</b>	89 cm (35 po)
<b>I</b>	63,5 cm (25 po)

# Caractéristiques et dimensions de la cavité d'encastrement

Tolérance de  $\pm 3$  mm (1/8 po) pour toutes les dimensions

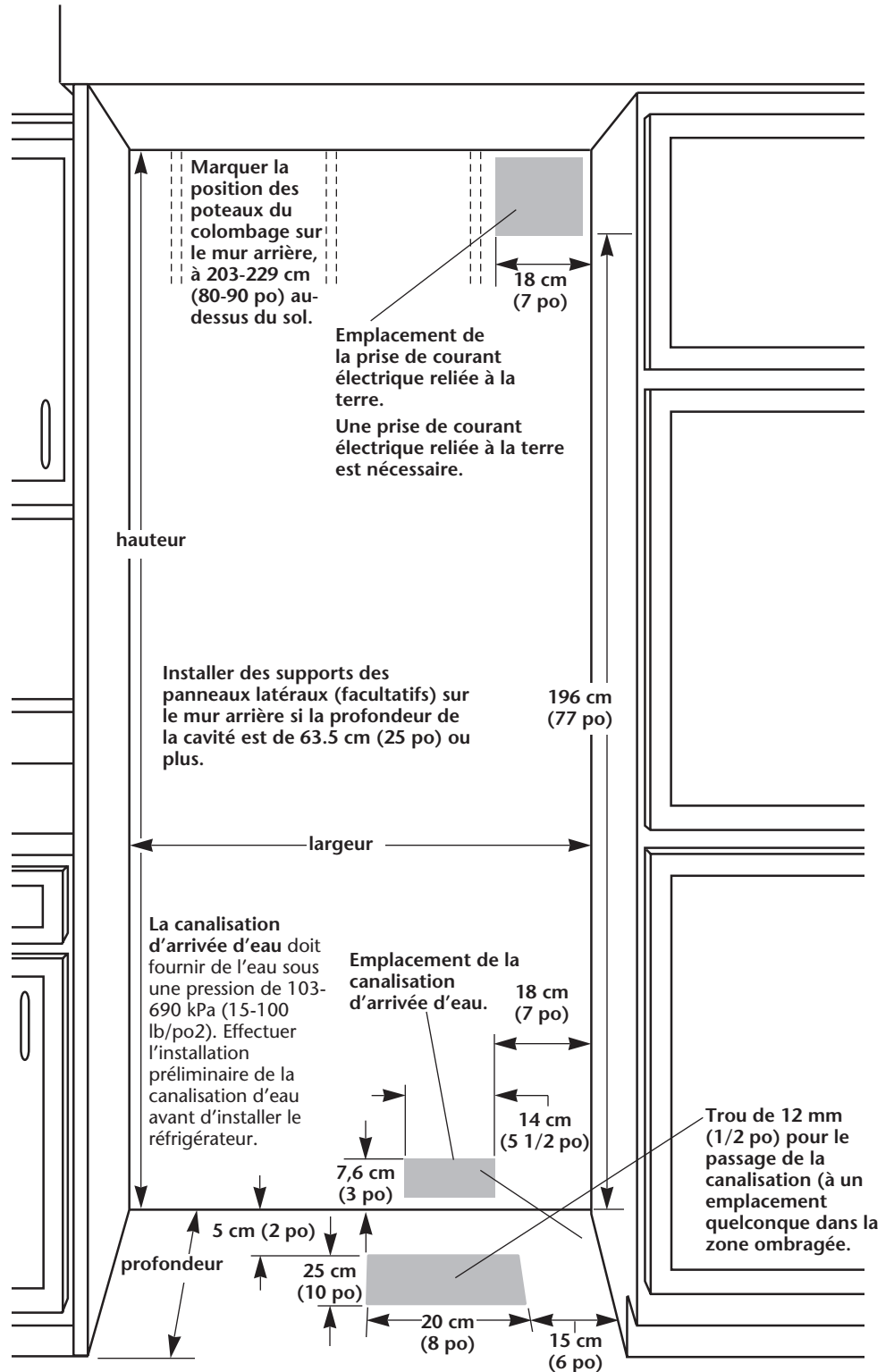
Pour éviter que le réfrigérateur ne bascule en cours de service, installer un soffite massif ou deux cales en bois de 5 cm x 10 cm x 81 cm (2 po x 4 po x 32 po) recouvrant la largeur du couvercle du compresseur.

Si le soffite massif est placé à plus de 2,5 cm (1 po) au-dessus du réfrigérateur, installer deux cales en bois de 5 cm x 10 cm x 81 cm (2 po x 4 po x 32 po) sur le mur, à 6 mm (1/4 po) au-dessus du réfrigérateur. La surface inférieure des cales doit être à 213 cm (84 po) du plancher. Les cales en bois doivent être suffisamment longues pour recouvrir complètement la largeur du couvercle du compresseur.

Le réfrigérateur encastré peut être installé :

- en retrait dans l'espace disponible entre les placards.
- à l'extrémité de la rangée d'armoires; on utilise alors un panneau latéral pour recouvrir le côté du réfrigérateur.

Choisir l'une des méthodes et utiliser les dimensions indiquées. Les dimensions indiquées laissent un dégagement de 0 cm (0 po).

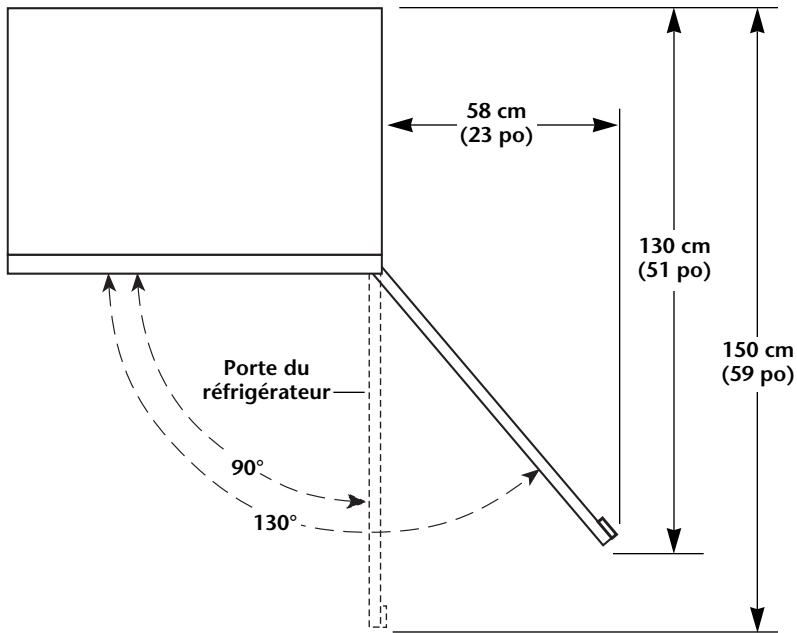


**Plancher :** Le plancher doit pouvoir soutenir le poids du réfrigérateur, des panneaux de portes et du contenu.

## Dimensions de la cavité

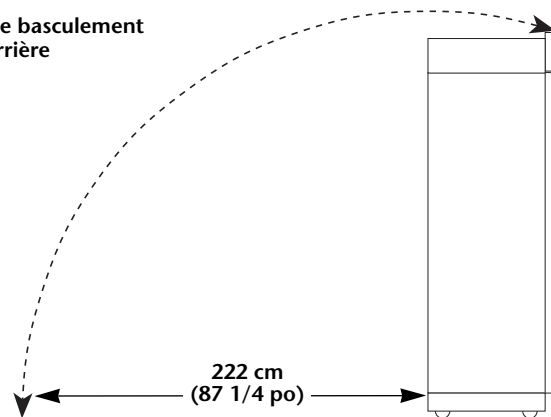
Largeur min.	90 cm (35 1/2 po)
Hauteur min.	211,5 cm (83 1/4 po)
Hauteur max.	215 cm (84 3/4 po)
Profondeur min.	60 cm (23 1/2 po)

## Dimensions pour le pivotement des portes

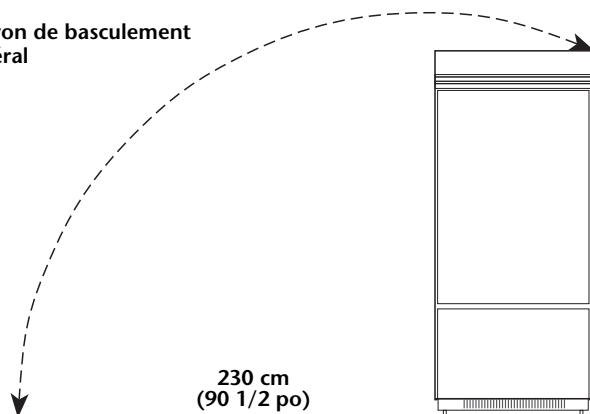


## Rayon de basculement

Rayon de basculement  
avant/arrière

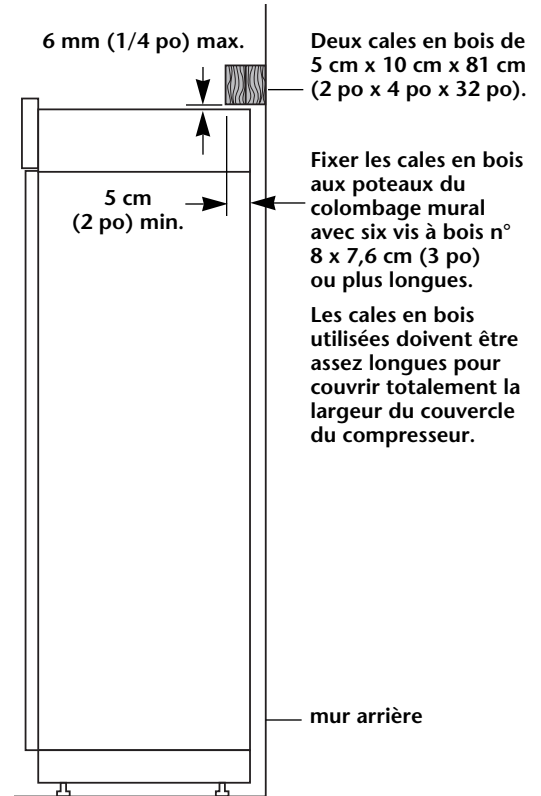


Rayon de basculement  
latéral



L'emplacement d'installation doit permettre l'ouverture des portes à un angle de 90° au moins. Pour les modèles à panneaux, laisser un espace d'au moins 2,5 cm (1 po) entre le côté du réfrigérateur et le mur formant l'angle. Pour les modèles en acier inoxydable, laisser un espace d'au moins 11,5 cm (4 1/2 po) entre le côté du réfrigérateur et le mur formant l'angle.

## Prévention du basculement



**Si les cales sont mises en place avant l'installation du réfrigérateur**, positionner les cales de sorte que leur base soit à 213 cm (84 po) du plancher. Pendant l'installation, soulever le réfrigérateur afin qu'il y ait un espace de 6 mm (1/4 po) au plus entre le haut du réfrigérateur et la base des cales antibasculement.

**Si un soffite massif est installé à 2,5 cm (1 po) au-dessus du réfrigérateur**, il n'est pas nécessaire d'installer les cales en bois pour prévenir le basculement.

**Si un soffite massif n'est pas disponible ou si le soffite est placé à plus de 2,5 cm (1 po) au-dessus de la partie supérieure**, centrer les cales en bois utilisées pour la prévention du basculement sur le mur arrière à 6 mm (1/4 po) max. au-dessus du réfrigérateur. À l'aide des vis à bois, visser les cales en bois aux poteaux du colombage mural - veiller à ce que les vis pénètrent dans les poteaux du colombage d'au moins 3,8 cm (1 1/2 po) et à ce que la surface frontale des cales en bois soit située à au moins 5 cm (2 po) au-delà de la surface arrière du couvercle du compresseur du réfrigérateur.

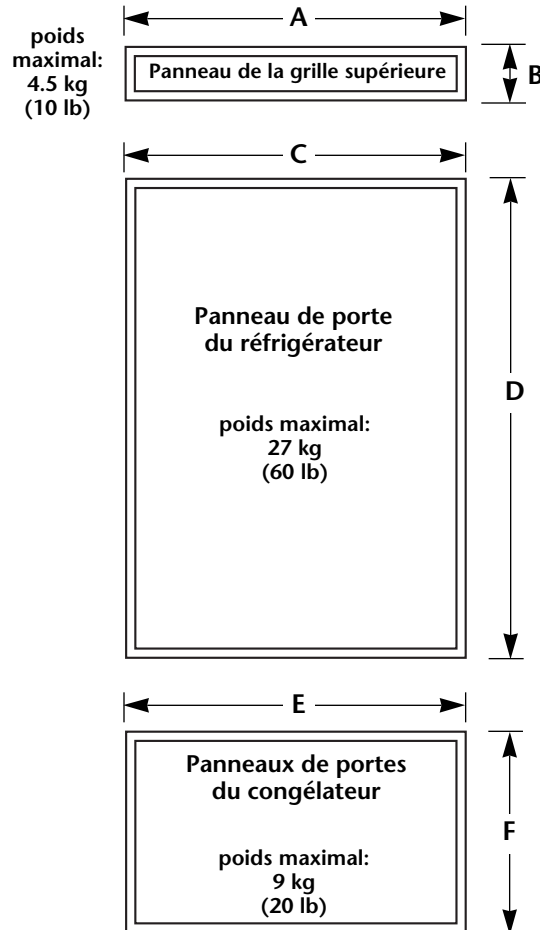
# Pièces à commander séparément ou à faire fabriquer sur mesure

Le kit de panneau d'acier inoxydable de 72 po, numéro de pièce 4392934, est pour les modèles à porte d'acier inoxydable seulement. Il permet l'installation côte à côte de deux réfrigérateurs (l'un à ouverture à gauche et l'autre à ouverture à droite) avec l'utilisation d'une seule grille.

Le poids des panneaux personnalisés NE doit PAS dépasser les valeurs indiquées. L'installation de panneaux dont le poids dépasse la limite indiquée peut être la cause de dommages pour le produit.

**REMARQUE :** Tolérance de  $\pm 1,5$  mm (1/16 po) pour les dimensions indiquées. Les panneaux dont l'épaisseur est supérieure à 6 mm (1/4 po) doivent faire l'objet d'un usinage. Lors de l'emploi de panneaux déjà amincis par usinage, ajouter 1,5 mm (1/16 po) aux dimensions indiquées.

Si l'épaisseur des panneaux est inférieure à 6 mm (1/4 po), installer un panneau de remplissage entre les portes et les panneaux décoratifs.

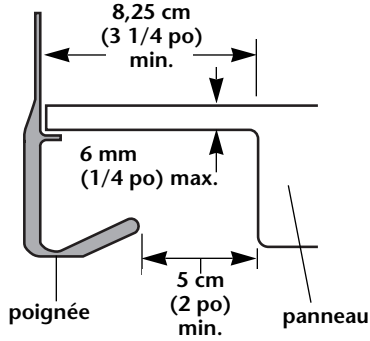


<b>A</b>	90,7 cm (35 11/16 po)
<b>B</b>	13,7 cm (5 3/8 po)
<b>C</b>	87 cm (34 1/4 po)
<b>D</b>	124,5 cm (49 po)
<b>E</b>	87 cm (34 1/4 po)
<b>F</b>	51,4 cm (20 1/4 po)

# Modèles à panneaux et modèles à portes en acier inoxydable

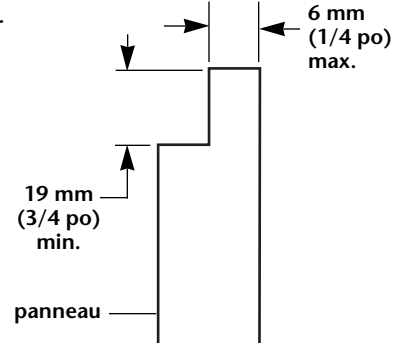
Vue de l'extrémité - côté poignée du panneau

**Panneaux personnalisés d'épaisseur supérieure à 6 mm (1/4 po) :**  
Amincir par usinage à la toupie sur toute la longueur ou à des emplacements choisis du côté poignée du panneau, sur 8,25 cm (3 1/4 po).



Vue latérale

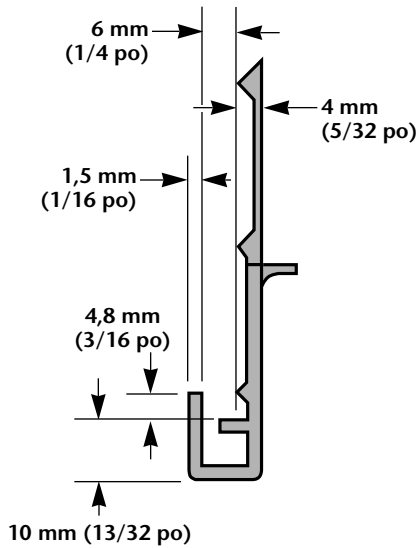
Dimensions pour l'usinage à la périphérie des panneaux



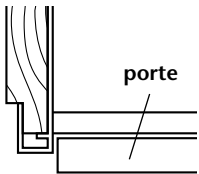
## Panneaux latéraux

Si le panneau latéral doit s'engager dans une garniture latérale, et si l'épaisseur du panneau latéral est supérieure à 6 mm (1/4 po), amincir par usinage le bord avant du panneau pour qu'il puisse passer dans la pièce de garniture.

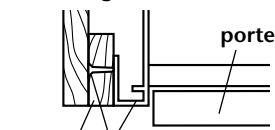
Vue de l'extrémité de la pièce de garniture latérale



panneau latéral engagé dans la pièce de garniture latérale.

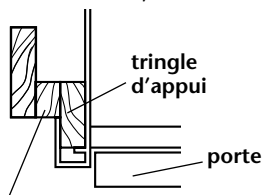


panneau latéral hors de la pièce de garniture latérale.



tringle d'appui  
Fixer la tringle d'appui au moyen de vis ou d'un adhésif compatible avec l'aluminium et le bois.

panneau latéral hors de la pièce de garniture latérale, et en retrait.



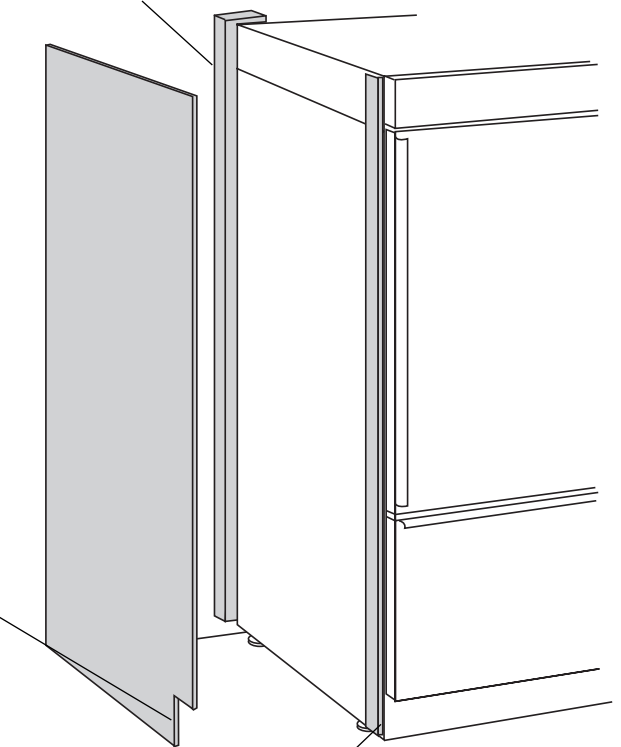
Amincir par usinage le bord avant de la tringle d'appui ou fixer une tringle de 6 mm (1/4 po) pour rétention dans la pièce de garniture latérale du placard.

tringle de clouage et support du panneau latéral

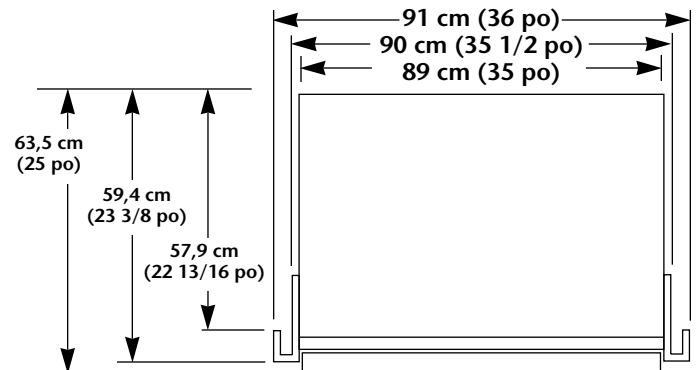
Largeur et hauteur : selon le type d'installation.

Épaisseur : Minimum 12 mm (1/2 po) pour empêcher le gauchissement.

Encoches pour la plinthe en retrait (le cas échéant). Déterminer la hauteur du réfrigérateur installé avant de découper les encoches.



pièce de garniture latérale





# Spécifications de l'alimentation électrique et en eau

## Spécifications de l'alimentation électrique

### ⚠ AVERTISSEMENT



#### Risque de choc électrique

Brancher l'appareil sur une prise à 3 alvéoles, reliée à la terre.

Ne pas enlever la broche de liaison à la terre.

Ne pas utiliser un adaptateur.

Ne pas utiliser un câble de rallonge.

Le non-respect de ces instructions peut causer un décès, un incendie ou un choc électrique.

Si les codes en vigueur le permettent et si un fil distinct de liaison à la terre est utilisé, on recommande qu'un électricien qualifié détermine que le conducteur de liaison à la terre est adéquat.

Ne pas utiliser une canalisation de gaz pour la liaison à la terre.

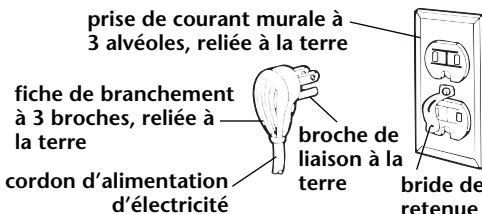
En cas de doute au sujet de la liaison à la terre de cet appareil, consulter un électricien qualifié.

Veiller à ce qu'aucun fusible ne soit installé en série dans le conducteur neutre ou le conducteur de liaison à la terre.

C'est au client qu'incombe la responsabilité de :

Contacter un électricien qualifié pour l'installation.

S'assurer que l'installation électrique est adéquate et conforme aux dispositions du Code National Électrique, ANSI/NFPA 70 — dernière édition\* ou du Code canadien des installations électriques C22.1-1982 et C22.2 n° 01982 (ou dernière édition)\*\*, et tous les codes et règlements locaux.



Une prise de courant de 120 V, 60 Hz, CA seulement, 15 ou 20 A, avec fusible, doit être disponible. On recommande l'emploi d'un fusible temporisé ou d'un disjoncteur. On recommande également que l'appareil soit alimenté par un circuit distinct n'alimentant que cet appareil.

Cet appareil est équipé d'un cordon d'alimentation doté d'une fiche de branchement à 3 broches. Pour minimiser le risque de choc électrique, le cordon doit être branché sur une prise de courant murale correspondante, à 3 broches, reliée à la terre, conformément aux dispositions du Code National Électrique, ANSI/NFPA 70 — dernière édition\* ou du Code canadien des installations électriques C22.1-1982 et C22.2 n° 01982 (ou dernière édition)\*\*, et de tous les codes locaux et règlements en vigueur.

On peut obtenir un exemplaire des codes mentionnés à l'adresse suivante :

\*National Fire Protection Association  
Batterymarch Park  
Quincy, Massachusetts, 02269\*

\*\* Association canadienne de normalisation  
178 Rexdale Boulevard  
Etobicoke, Ontario M9W 1R3

## Spécifications de l'alimentation en eau

Utiliser uniquement un tube en cuivre de 6 mm (1/4 po) pour l'arrivée d'eau.

Ne pas installer le tube en cuivre dans un endroit où la température peut s'abaisser à moins de 0 °C (32 °F).

Avant de connecter le tube en cuivre au réfrigérateur, le rincer en y faisant passer au moins 1,9 L (2 pintes) d'eau pour éliminer tous les débris qui ont pu s'y introduire.

Ne pas serrer excessivement la bride ou le raccord, ce qui pourrait écraser le tube en cuivre.

Rechercher les fuites autour du robinet de prise en charge.

La canalisation d'eau alimentant le réfrigérateur doit fournir de l'eau sous une pression de 103-690 kPa (15-100 lb/po<sup>2</sup>).

Calcul de la longueur nécessaire de la section d'un tube en cuivre de 6 mm (1/4 po) de diam. ext. :

1. Identifier à proximité du réfrigérateur une canalisation d'eau FROIDE verticale de 1,2 cm à 3,2 cm (1/2 po à 1 1/4 po). On peut également utiliser une canalisation d'eau FROIDE horizontale si les instructions de l'étape 4 sont scrupuleusement observées.

2. Mesurer la distance entre la canalisation d'eau froide et le réfrigérateur. Ajouter 61 cm (24 po) à cette dimension.

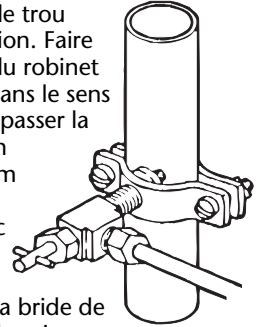
## Pose préliminaire de la canalisation d'arrivée d'eau :

3. FERMER le robinet principal d'alimentation. OUVRIR le robinet le plus proche assez longtemps pour purger toute l'eau des canalisations.

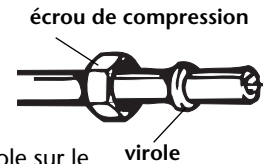
4. **Canalisation d'eau froide verticale :** Utiliser une perceuse électrique reliée à la terre ou une perceuse manuelle pour percer un trou de 4,5 mm (3/16 po) à un emplacement facilement accessible de la canalisation.

**Canalisation d'eau froide horizontale :** Utiliser une perceuse électrique reliée à la terre ou une perceuse manuelle pour percer un trou de 4,5 mm (3/16 po) dans la partie supérieure de la canalisation. Ainsi, des sédiments ne s'accumuleront pas dans le robinet de prise en charge.

5. Placer le joint sur le trou percé de la canalisation. Faire tourner la manette du robinet de prise en charge dans le sens horaire pour faire dépasser la pointe perçante d'un maximum de 4,5 mm (3/16 po). Aligner la pointe perçante avec le trou percé dans la canalisation. Placer les deux moitiés de la bride de fixation du robinet de prise en charge contre la canalisation. Faire tourner la manette du robinet dans le sens horaire jusqu'à ce que la pointe perçante pénètre dans le trou de la canalisation et soit fermement en place. Le robinet de prise en charge n'est pas à la position de fermeture. Serrer l'écrou autour de la tige de commande. Serrer uniformément et fermement les vis de bridage, afin que le joint établisse une connexion étanche. **Ne pas serrer excessivement; le tube en cuivre pourrait s'écraser.**



6. Veiller à ce que les deux extrémités du tube en cuivre soient coupées à l'équerre. Enfiler l'écrou de compression et la virole sur le tube en cuivre. Enfoncer complètement l'extrémité du tube en cuivre dans l'ouverture du robinet. Serrer l'écrou de compression sur le raccord avec une clé à molette. **Ne pas serrer excessivement.**



7. Ouvrir le robinet principal d'alimentation. Inspecter pour rechercher les fuites. Faire tourner la manette du robinet de prise en charge dans le sens antihoraire et laisser de l'eau s'écouler à travers le tube en cuivre dans un seau. Faire tourner la manette dans le sens horaire pour interrompre l'écoulement de l'eau à travers le tube en cuivre.

8. Acheminer le tube en cuivre jusqu'à la zone d'installation du réfrigérateur.

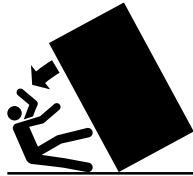
# Étapes de l'installation

## Pièces fournies pour l'installation :

- grille de ventilation basse
- Sachet de pièces

Vérifier que toutes les pièces sont présentes.

## ⚠ AVERTISSEMENT



### Risque de basculement

**Le réfrigérateur est lourd au sommet et bascule facilement lorsqu' il n'est pas complètement installé.**

**Garder les portes fermées avec un ruban adhésif jusqu' à l'installation complète du réfrigérateur.**

**Deux personnes ou plus doivent déplacer et installer le réfrigérateur.**

**Le non-respect de ces instructions peut causer un décès ou une blessure grave.**

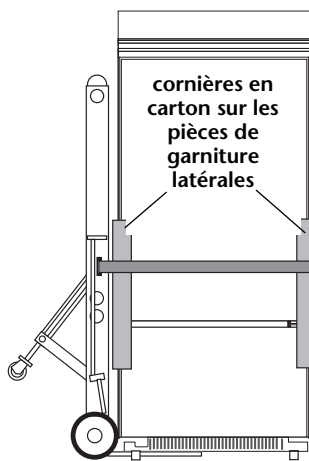
**Ne pas abaisser le réfrigérateur sur la base utilisée pour l'expédition, lors de l'extraction de la base.**

**Ne pas ôter le film protecteur avant que le réfrigérateur soit à la position de service.**

**Les quatre pieds de réglage de l'aplomb doivent être en contact avec le sol et soutenir la totalité du poids du réfrigérateur pour le stabiliser.**

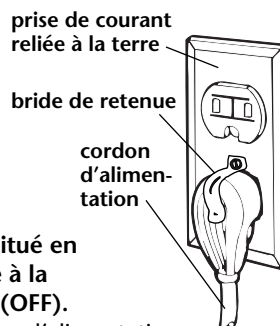
**Conserver la pièce de carton ou de contreplaqué d'expédition sous le réfrigérateur jusqu'à ce qu'il soit installé à la position de service.**

**1.** Enlever et conserver le sachet de documents et le sachet de pièces fixés sur la porte du réfrigérateur. Ôter quatre brides (deux de chaque côté) fixant la base d'expédition au bas du réfrigérateur. **Ne pas ôter les rubans adhésifs et entretoises qui immobilisent les portes avant que le réfrigérateur ait été solidement installé à la position de service finale.**



**2.** Mettre le chariot sous le côté congélateur du réfrigérateur et arrimer le réfrigérateur avec la sangle du chariot, sans trop serrer. Insérer les cornières en carton pour protéger les angles et les poignées entre la sangle et le réfrigérateur. Serrer prudemment la sangle en vérifiant que les pièces de garniture latérales et les poignées sont protégées.

**3.** Avant de déplacer le réfrigérateur sur le plancher de la maison, sur un chariot, placer sur le plancher les sections de l'emballage de carton. Approcher le réfrigérateur près de l'ouverture de l'encastrement où il sera installé.

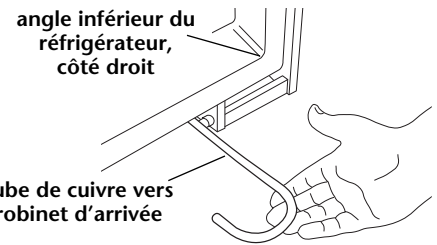


**4.** Pousser le commutateur d'alimentation situé en haut de la caisse à la position d'arrêt (OFF). Brancher le cordon d'alimentation sur une prise de courant électrique reliée à la terre. Fixer la bride de retenue sur la prise de courant avec la vis qu'on trouve dans le sachet de petites pièces.

**5.** Mettre une plaque en contreplaqué ou en carton sous le réfrigérateur. Retirer le chariot de maintenance. Ouvrir les portes de l'appareil et ôter toutes les boîtes, les sachets de pièces et les matériaux d'emballage qu'on trouve dans le compartiment de réfrigération et le compartiment de congélation. Ne pas ôter la pellicule protectrice.

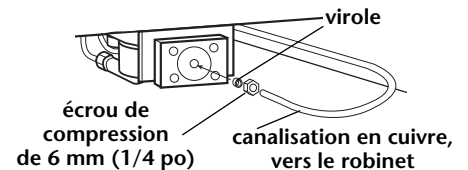
Insérer le réfrigérateur dans l'ouverture d'encastrement, en ligne droite et uniformément. Vérifier que :

- le tube en cuivre n'est pas déformé, écrasé, etc.
- le cordon d'alimentation électrique est au sommet du réfrigérateur, près du couvercle.



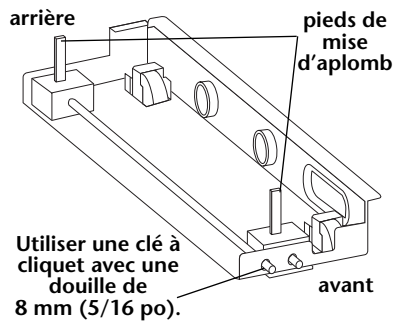
Vérifier que la canalisation d'arrivée d'eau a été purgée. Voir page 7.

**6.** Tirer la canalisation d'arrivée d'eau par-dessous le réfrigérateur. Former avec précaution une extrémité en forme de crochet de 9 cm (3 1/2 po) au moins (180°) dans la canalisation d'arrivée d'eau.

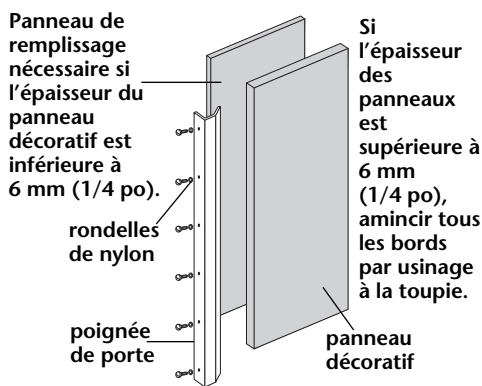


Ne pas plier la canalisation d'arrivée d'eau. Ôter le capuchon du robinet. Enfiler l'écrou de compression, puis la virole sur la canalisation d'arrivée d'eau. Enfoncer complètement la canalisation d'arrivée d'eau dans l'ouverture du robinet. Serrer l'écrou de compression sur le robinet. Ne pas serrer excessivement.

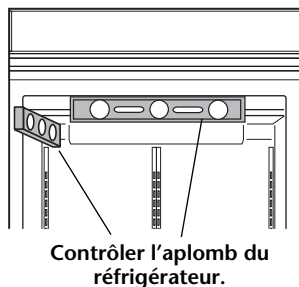
Ouvrir le robinet d'arrivée d'eau (position OPEN). Placer le commutateur d'alimentation électrique du réfrigérateur à la position de marche (ON). Attendre quelques minutes. Inspecter la connexion de la canalisation d'eau.



**7.** Utiliser une clé à douille pour faire tourner les pieds de réglage de l'aplomb sur les deux côtés du réfrigérateur vers la droite (sens horaire) jusqu'à ce que le poids du réfrigérateur soit en appui sur les pieds de réglage de l'aplomb. Les roulettes ne devraient pas être en contact avec le plancher.  
**Remarque :** Pour que le réfrigérateur soit convenablement soutenu et stable, il faut que les quatre pieds de réglage de l'aplomb soient en contact avec le plancher. Les roulettes servent au déplacement du réfrigérateur et non à son soutien permanent.



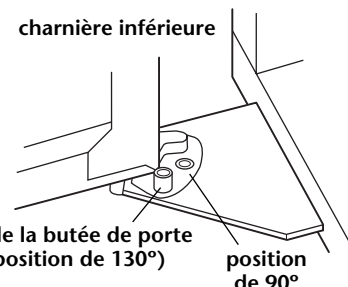
**8.** Modèles à portes en acier inoxydable : passer à l'étape 9.  
 Ôter tous les rubans adhésifs et entretoises des portes du réfrigérateur et du congélateur. Ôter les vis fixant les poignées aux cadres de portes. Enfiler les panneaux décoratifs des portes dans les cadres de portes.  
**Si l'épaisseur des panneaux est inférieure à 6 mm (1/4 po),** installer un panneau de remplissage entre la porte et le panneau décoratif.  
**Si l'épaisseur des panneaux est supérieure à 6 mm (1/4 po),** amincir tous les bords par usinage à la toupie.



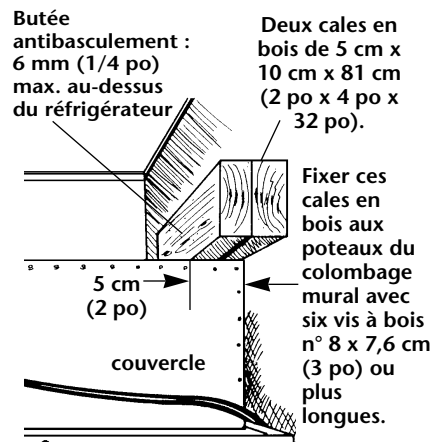
**9.** Ouvrir les portes. Mettre un niveau en contact avec la face inférieure de la garniture de la porte, aux endroits indiqués sur l'illustration. Ajuster les pieds de mise d'aplomb, jusqu'à ce que le réfrigérateur soit d'aplomb. Vérifier que les quatre pieds sont en contact avec le sol et soutiennent tout le poids du réfrigérateur. Il faut que les portes aient été installées avant cette opération de réglage de l'aplomb.

**10.** Vérifier l'aplomb de la porte du réfrigérateur.  
 S'il est nécessaire d'ajuster la position de la porte vers la gauche ou vers la droite, vers l'intérieur ou vers l'extérieur, desserrer les vis à tête hexagonale de 9 mm (3/8 po) de la charnière supérieure.

**11.** Réinstaller les poignées des portes.  
**Si les poignées de porte ne sont pas alignées,** desserrer toutes les vis des poignées et ajuster la position des poignées de porte vers le haut ou vers le bas. Serrer les vis.  
 Si des vis blanches de la porte (modèles à garniture blanche seulement) sont endommagées, remplacer ces vis par des vis qu'on trouve dans le sachet de pièces.



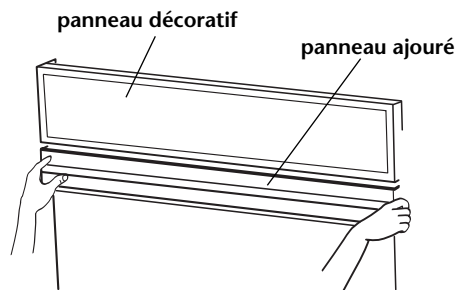
**12.** Vérifier que la porte du réfrigérateur peut s'ouvrir librement. Si la porte s'ouvre trop grand, ôter la vis de la butée de porte de la charnière inférieure de la porte. Tenir la porte ouverte à une position inférieure à 90°. Replacer la vis de la butée de porte dans la position de butée de 90° dans la charnière inférieure et serrer la vis. S'il y a encore une interférence entre le comptoir et la porte après le réglage, il peut être nécessaire d'usiner le panneau du comptoir.



Les cales en bois utilisées doivent être assez longues pour couvrir totalement la largeur du couvercle du compresseur.

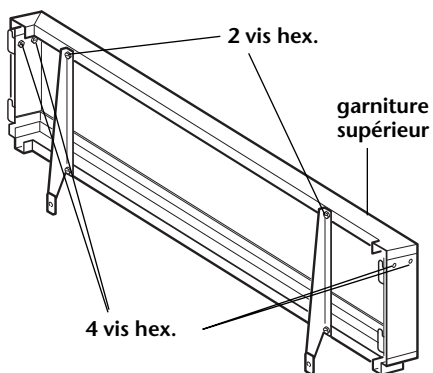
**13.** Si un soffite massif est installé à 2,5 cm (1 po) au-dessus du réfrigérateur, il n'est pas nécessaire d'installer des cales en bois antibasculement.

**Si un soffite massif n'est pas disponible ou si le soffite est placé à plus de 2,5 cm (1 po) au-dessus du réfrigérateur,** trouver les poteaux du colombage mural dans l'ouverture d'encastrement du réfrigérateur. Centrer une cale en bois sur le mur arrière à 6 mm (1/4 po) max., au-dessus du réfrigérateur. À l'aide des vis à bois, visser la cale en bois aux poteaux du colombage mural - veiller à ce que les vis pénètrent dans les poteaux du colombage d'au moins 3,8 cm (1 1/2 po). Fixer la deuxième cale sur l'avant de la première. Les cales en bois doivent être en surplomb d'au moins 5 cm (2 po) au-delà de la surface arrière supérieure du couvercle du compresseur du réfrigérateur.



**14. Modèles à panneaux en acier inoxydable :** passer à l'étape 17.

**Modèles à panneaux :** Ôter le panneau ajouré en saisissant les deux extrémités, le soulever, puis le tirer vers l'extérieur. Ôter le panneau décoratif en dévissant la vis de fixation à chaque extrémité des deux brides de montage. Une fois les vis enlevées, glisser le panneau vers le bas, puis le tirer vers l'extérieur.

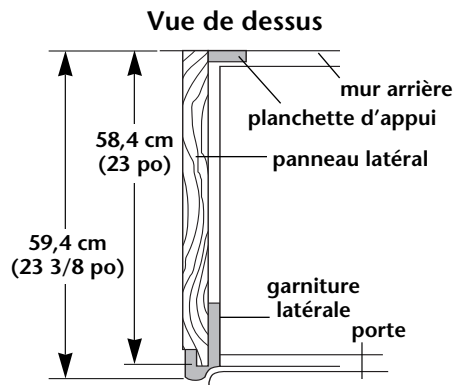


**15. Modèles à panneaux :** Ôter les deux vis hexagonales qui fixent le support de montage de la grille à la garniture supérieure. Ôter les quatre vis hexagonales qui fixent la garniture supérieure à la garniture latérale (deux de chaque côté). Soulever la garniture supérieure. Glisser le panneau décoratif depuis le sommet. Fixer de nouveau la garniture supérieure à la garniture latérale au moyen des quatre vis hexagonales (deux de chaque côté). Réinstaller le support de la grille sur la garniture supérieure avec les deux vis hexagonales.

**16. Modèles à panneaux :** Réinstaller le panneau décoratif et le panneau ajouré.

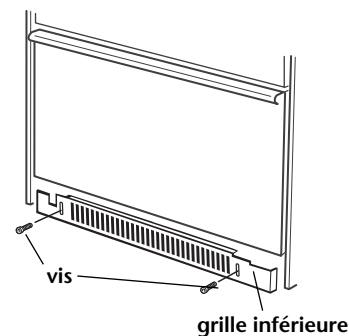
**17. Si les panneaux latéraux ne sont pas utilisés, passer à l'étape 18.**

Si la profondeur de la cavité d'encastrement est de 63,5 cm (25 po) ou plus, on peut engager les panneaux latéraux à l'intérieur de la garniture latérale, ou les fixer à l'extérieur de la garniture latérale.



- **Pièce de garniture latérale interne :** Enfiler le bord avant aminci du panneau latéral dans la pièce de garniture. Clouer le bord arrière du panneau sur la planchette d'appui.

**REMARQUE :** KitchenAid n'est pas responsable de l'enlèvement de moulures ou de panneaux décoratifs qui préviendraient l'entretien du réfrigérateur.



**18. Ouvrir les portes de l'appareil et ôter la pellicule protectrice de l'encadrement des portes. Inspecter de nouveau les raccords de connexion de tuyauterie situés en bas du réfrigérateur pour rechercher les fuites. Fixer la grille de ventilation de la base avec deux vis. Installer les étagères et caissons dans les compartiments de réfrigération et de congélation.**

**19. Régler les thermostats du réfrigérateur et du congélateur au point médian entre les repères FROID et TEMPÉRATURE MINIMALE. Vérifier que le compresseur et les 6 lampes fonctionnent normalement.**

**Pour pouvoir utiliser au mieux ce nouveau réfrigérateur encastré, lire le guide d'utilisation et d'entretien KitchenAid. Conserver les instructions d'installation et le guide d'utilisation et d'entretien près du réfrigérateur encastré, pour référence.**

# REFRIGERADORES EMPOTRADOS 36" PULG [91 CM]

## INSTRUCCIONES DE INSTALACIÓN

IMPORTANTE:  
LEER Y GUARDAR  
ESTAS  
INSTRUCCIONES.

SE REQUIEREN  
2 O MÁS  
PERSONAS PARA  
INSTALAR.



### **⚠️ ADVERTENCIA**



#### **Peligro de Vuelco**

**El refrigerador puede volcarse cuando está siendo instalado debido a que la parte superior es pesada.**

**Mantenga las puertas cerradas con cinta hasta que el refrigerador esté completamente instalado.**

**Se necesitan dos o más personas para mover e instalar el refrigerador.**

**El incumplimiento de esta advertencia puede resultar en una lesión grave o mortal.**

**KitchenAid®**  
POR LA FORMA EN QUE ESTÁ HECHA®

## Importante:

- Instalador: Dejar instrucciones con el propietario.
- Propietario: Guardar instrucciones para referencia en el futuro.
- Guarde estas instrucciones de instalación para uso del inspector eléctrico.

# Antes de empezar...

## Su seguridad y la seguridad de los demás es muy importante.

Hemos incluido muchos mensajes importantes de seguridad en este manual y en su electrodoméstico. Lea y obedezca siempre todos los mensajes de seguridad.



Este es el símbolo de advertencia de seguridad. Este símbolo le llama la atención sobre peligros que pueden ocasionar la muerte o una lesión a usted y a los demás. Todos los mensajes de seguridad irán precedidos por el símbolo de advertencia de seguridad y la palabra "PELIGRO" o "ADVERTENCIA". Estas palabras significan:

## PELIGRO

Si no sigue las instrucciones usted morirá o sufrirá una lesión grave.

## ADVERTENCIA

Si no sigue la instrucciones usted puede morir o sufrir una lesión grave.

Todos los mensajes de seguridad identificarán el peligro, le informarán cómo reducir las posibilidades de sufrir una lesión y lo que puede suceder si no sigue las intrucciones.

Mantenga el embalaje de cartón o laminado debajo del refrigerador hasta que esté instalado y en posición de operación.

\* Las dimensiones indicadas surten efecto para los niveladores extendidos 1/8 pulg. [3 mm] debajo de los rodillos. Para niveladores extendidos 1-1/4 pulg. [32 mm] debajo de los rodillos, agregar 1-1/8 pulg. [29 mm] a esta dimensión.

## Importante:

### Observar todas los códigos y regulaciones del caso.

#### Es su responsabilidad:

- Observar las disposiciones sobre instalación y dimensiones
- Instalar el refrigerador en forma correcta.
- Quitar molduras o paneles decorativos que puedan obstaculizar el servicio del refrigerador.
- Verificar que dispone de los siguientes materiales necesarios para una instalación correcta:

tubería de cobre de 1/4 pulg. [6 mm] con válvula de cierre

accesorio de compresión de 1/4 pulg. [6 mm]

6 tornillos para madera #8 x 3 pulg. [76 mm]

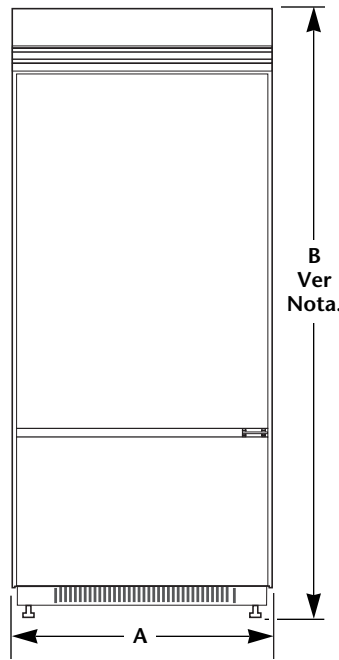
[es posible que requiera tornillos más largos]

2 tabillas de madera de 2 pulg. x 4 pulg. x 32 pulg. mínimo. [5 cm x 10 cm x 81 cm] min. [ver página 4.]

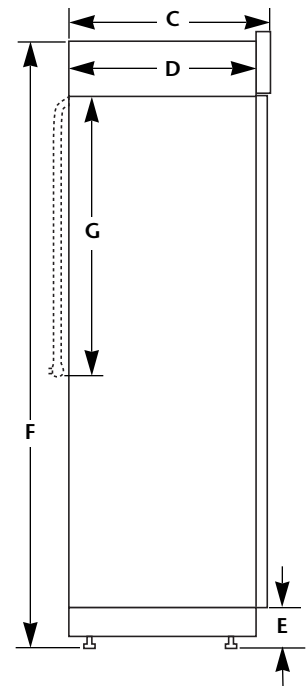
- Confirmar que el piso pueda soportar un refrigerador de un peso [mayor a 600 lbs./272 kg.], paneles de puertas y su contenido interior.
- Proveer un tomacorriente debidamente puesto a tierra.
- Verificar que el lugar permita la apertura de la puerta del refrigerador por lo menos 90°.

## Dimensiones

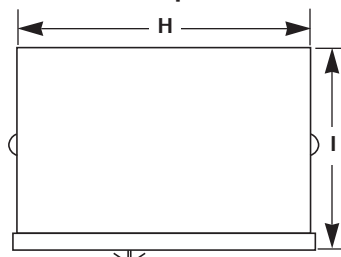
Vista frontal



Vista lateral



Vista superior



### Modelos con paneles y modelos con puertas laterales de acero inoxidable

<b>A</b>	36 pulg (91 cm)
<b>B</b> <i>Modelos con paneles</i>	83-5/8 pulg (212 cm)*
<b>B</b> <i>Modelos de acero inoxidable sin guarnición</i>	83-1/8 pulg (211 cm)
<b>C</b>	25-1/8 pulg (64 cm)
<b>D</b>	23-1/2 pulg (60 cm)
<b>E</b>	3-1/2 pulg (9 cm)*
<b>F</b>	83-1/8 pulg (211 cm)*
<b>G</b>	24 pulg (61 cm)
<b>H</b>	35 pulg (89 cm)
<b>I</b>	25 pulg (63.5 cm)

## Dimensiones y requerimientos para empotrar

Todas las dimensiones  $\pm 1/8$  pulg. [3 mm]

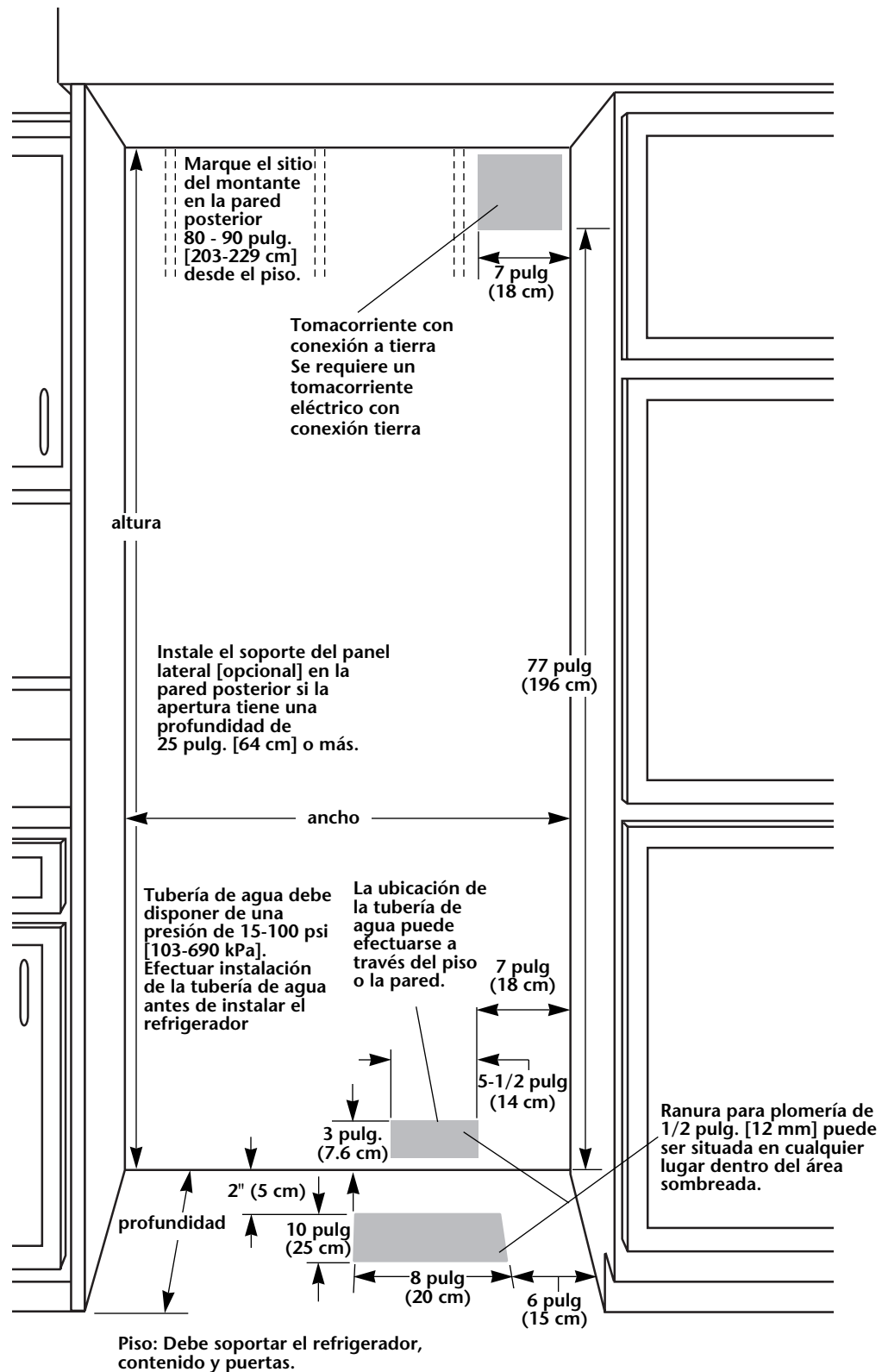
Se requieren un cielo raso o dos tablillas de madera de 2 pulg. x 4 pulg. x 32 pulg. [5 cm x 10 cm x 81 cm] de madera sólida para cubrir el ancho de la tapa del compresor para prevenir inclinación durante el uso.

Si el soffito sólido sobresale más de 1 pulg. [2.5 cm] encima del refrigerador, se requiere entonces instalar dos tablillas de madera de 2 pulg. x 4 pulg. x 32 pulg. [5 cm x 10 cm x 81 cm] en la pared, 1/4 pulg. [6 mm] sobre la tapa del refrigerador. La superficie inferior de las tablillas de madera debe permanecer a 84 pulgadas [213 cm] del piso. Las tablillas de madera deben ser lo suficientemente largas para cubrir el ancho de la tapa del compresor.

El refrigerador empotrado puede instalarse:

- dentro de la cavidad de los gabinetes
- al final de los gabinetes utilizando un panel lateral para cubrir el lado del refrigerador.

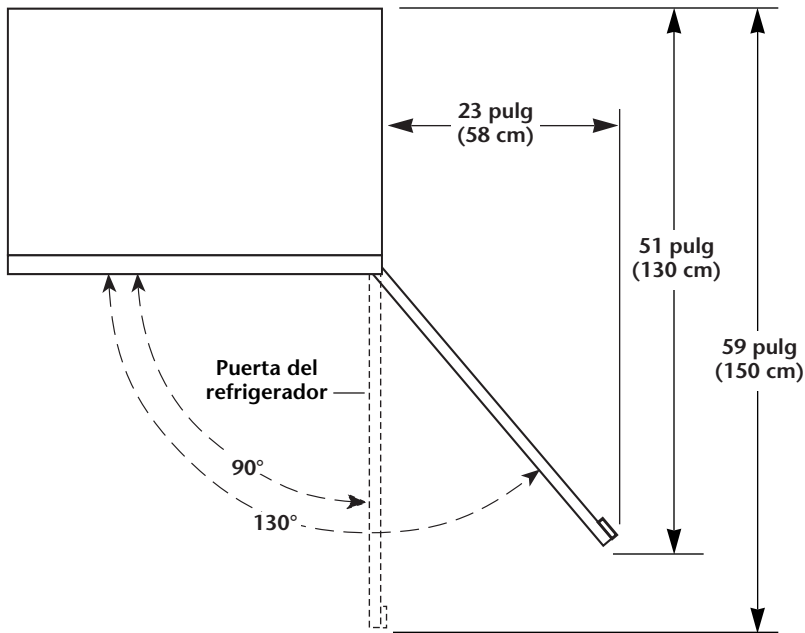
Elija un método y utilice las dimensiones adjuntas. Estas dimensiones permiten una área libre de 0 pulg. [0 cm].



### Dimensiones de apertura

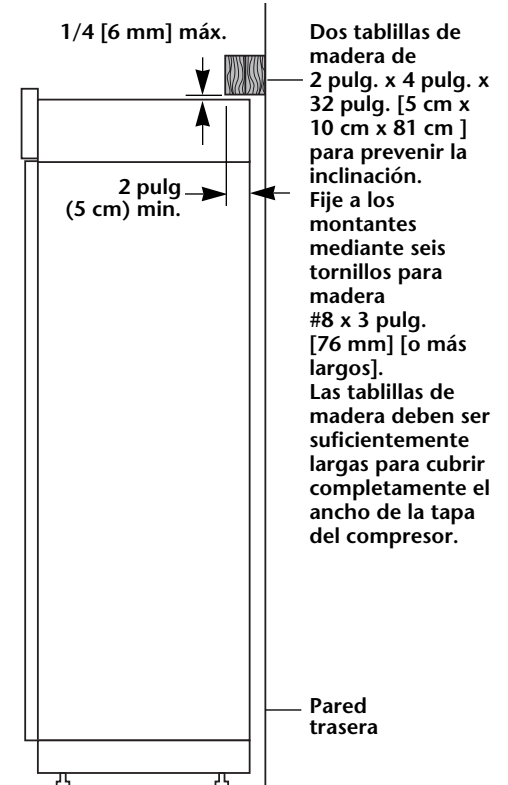
Ancho mín.	35-1/2 pulg (90 cm)
Altura mín.	83-1/4 pulg (211.5 cm)
Altura máx.	84-3/4 pulg (215 cm)
Profundidad mín.	23-1/2 pulg (60 cm)

## Dimensiones del giro de la puerta



La instalación permanente debe permitir un ángulo de apertura para las puertas de un mínimo 90°. Para los modelos con paneles, deje un espacio mínimo de 1 pulg. [25 cm] entre la parte lateral del refrigerador y la pared esquinera. Para los modelos con puertas laterales de acero inoxidable, deje un espacio mínimo de 4-1/2 pulg. [11.5 cm] entre la parte lateral del refrigerador y la pared esquinera.

## Preventivo de inclinación



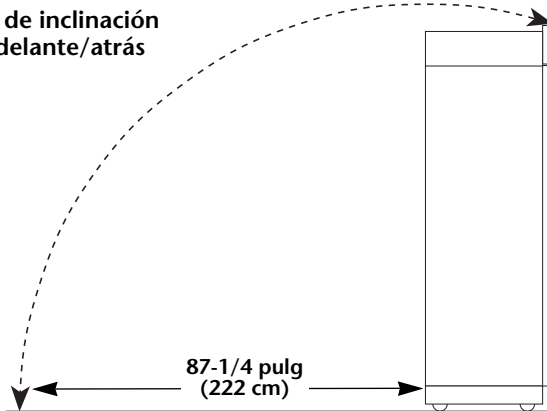
Si se colocan las tablillas de madera antes de instalar el refrigerador, sitúe las tablillas de tal manera que la superficie inferior de las mismas se encuentre a 84 pulg. [213 cm] desde el piso. Durante el proceso de instalación, levante el refrigerador hasta dejar un espacio máximo de 1/4 de pulg. [6 mm] entre la parte superior del refrigerador y la superficie inferior de las tablillas de madera.

Si se encuentra un cielo raso de 1 pulg. [2.5 cm] sobre el refrigerador, no se requiere tablillas de madera antivuelcos.

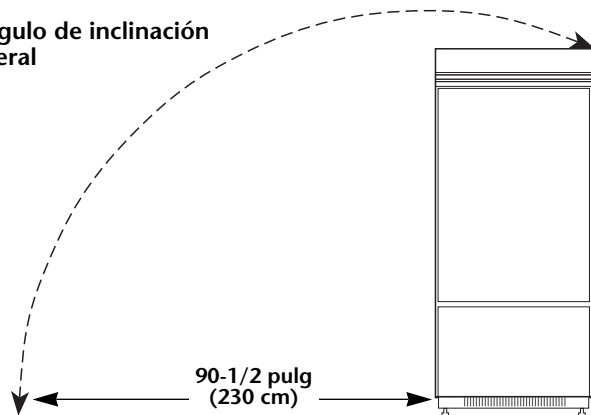
Si no existe un cielo raso, o si el cielo raso está a 1 pulg. [2.5 cm] sobre la cubierta, centre las tablillas de madera en la pared trasera a 1/4 de pulg. [6 mm] máximo sobre el refrigerador. Fije las tablillas a los montantes de la pared mediante tornillos para madera, verificando que los tornillos se encuentran dentro de los montantes por lo menos 1-1/2 pulg. [3.8 cm], y que las tablillas de madera sobrepasan por lo menos 2 pulg. [5 cm] sobre la sección superior del área posterior de la cubierta del compresor del refrigerador.

## Angulo de inclinación

Angulo de inclinación hacia adelante/atrás



Angulo de inclinación lateral





# Piezas que deben ser adquiridas por separado o fabricadas a medida

El juego de paneles de acero inoxidable de 72 pulg. (1.83 m), pieza Número 4392934 es solamente para modelos con puertas laterales de acero inoxidable. Permite instalar dos unidades, una junto a la otra (una con giro hacia la izquierda, y otra hacia la derecha) con una sola rejilla.

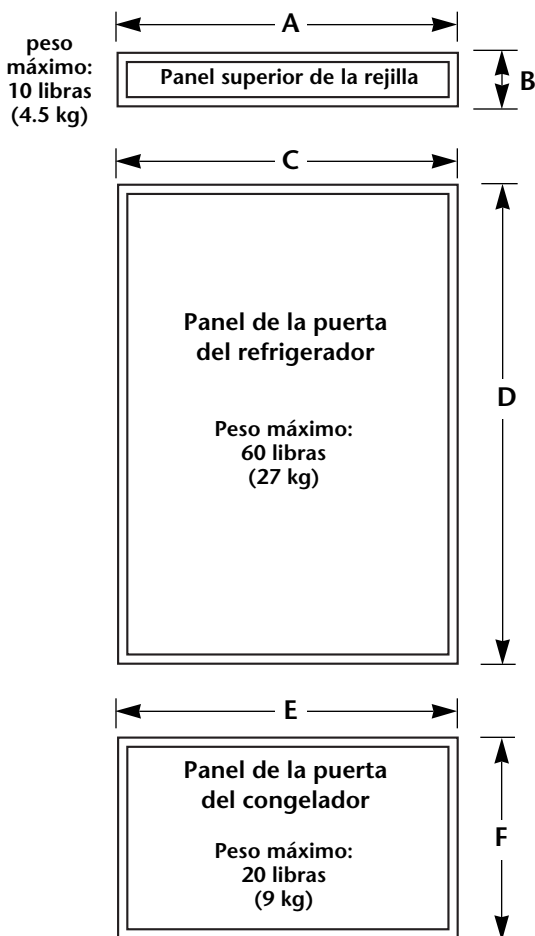
## Paneles a medida

El peso de los paneles fabricados a medida NO DEBE EXCEDER los pesos indicados.

El sobrepeso de los paneles puede causar daños al producto.

NOTA: Las dimensiones indicadas permiten una tolerancia de  $\pm 1/16$  de pulg. [1.5 mm]. Paneles de más de 1/4 de pulg. [6 mm] deben pasarse por el tupí. Si se utilizan paneles moldeados, aumente 1/16 pulg. [1.5 cm] a las dimensiones indicadas.

Si los paneles son de un grosor inferior a 1/4 de pulg. [6 mm], instale un panel de relleno entre las puertas y los paneles decorativos.

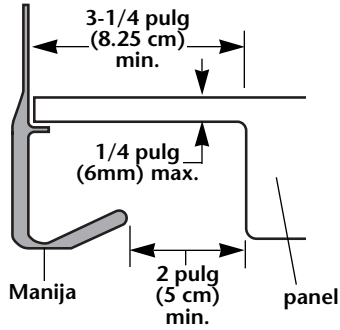


<b>A</b>	35-11/16 pulg. (90.7 cm)
<b>B</b>	5-3/8 pulg. (13.7 cm)
<b>C</b>	34-1/4 pulg. (87 cm)
<b>D</b>	49 pulg. (124.5 cm)
<b>E</b>	34-1/4 pulg. (87 cm)
<b>F</b>	20-1/4 pulg. (51.4 cm)

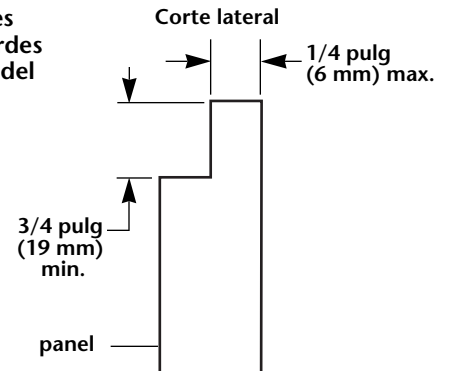
# Modelos con paneles y modelos con puertas laterales de acero inoxidable

Paneles a medida con un grosor mayor de 1/4 de pulg. [6 mm]: Pasar el tupí sobre la totalidad del largo o sobre áreas específicas de los paneles del lado de la manija 3-1/4 pulg. [8.25 cm]

Corte del filo del panel del lado de la manija



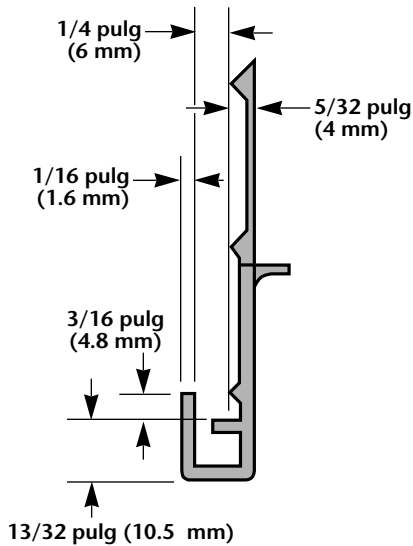
Dimensiones para los bordes moldeados del panel



## Paneles laterales

Si el panel lateral se instala dentro de la moldura lateral y si el panel tiene un grosor mayor a 1/4 de pulg. [6 mm], pase el tupí sobre el borde delantero del panel para que encaje en la moldura.

Corte del filo del panel lateral

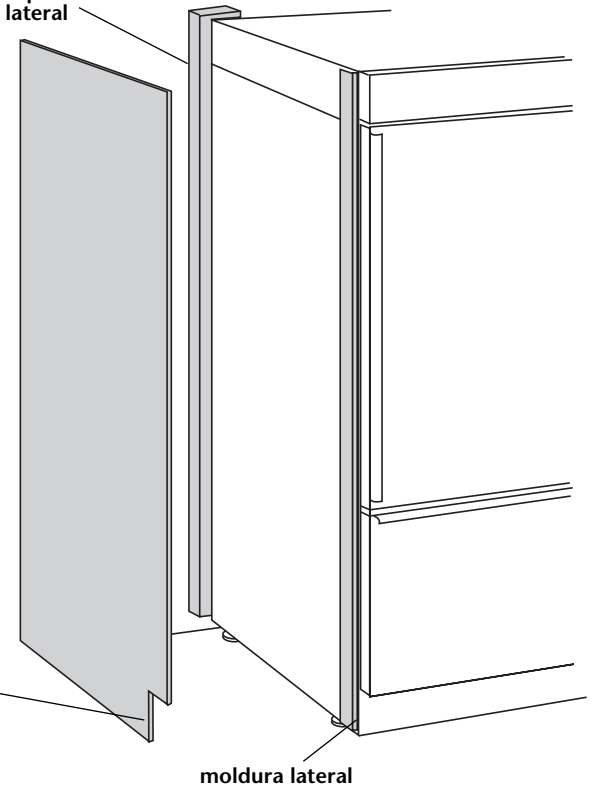


Listón de soporte del panel lateral

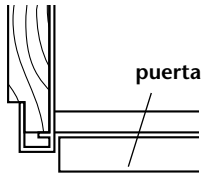
Ancho y altura depende del tipo de instalación

Grosor 1/2 pulg [12 mm] mínimo para prevenir deformidades

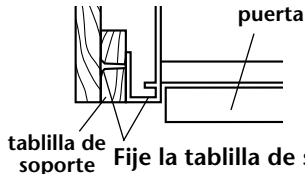
Ranuras para el listón del zócalo [si se desea] Determinar la altura antes de efectuar los cortes



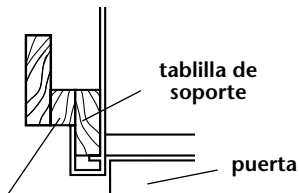
Moldura interior del panel lateral



Moldura exterior del panel lateral

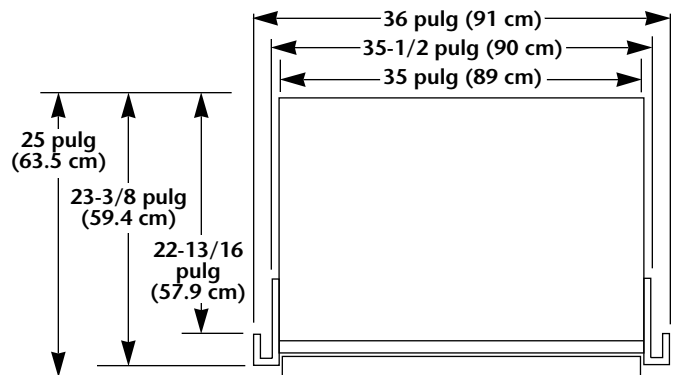


Moldura exterior ahuecada del panel lateral



Fije la tablilla de soporte con tornillo o material adhesivo compatible con aluminio y madera.

Dirija el borde delantero de la tablilla de soporte o fije una tablilla de 1/4 de pulg (6 mm) para retención del molde lateral del gabinete.



# Conexiones de Agua y Energía Eléctrica

## Requisitos Eléctricos

### ⚠️ ADVERTENCIA



#### Peligro de Choque Eléctrico

Conecte a un tomacorriente de pared de conexión a tierra de tres terminales.

No retire el terminal de conexión a tierra.

No utilice un adaptador.

No utilice un cable eléctrico de extensión.

No seguir estas instrucciones puede ocasionar la muerte, incendio, o choque eléctrico.

Si los códigos lo permiten y se usa un cable a tierra separado, se recomienda que un electricista calificado determine si la vía de la puesta a tierra es adecuada.

No utilice la tubería de gas como tierra. Verifique con un electricista calificado si la unidad se encuentra conectada a tierra correctamente.

No ponga un fusible en el conector neutro ni en el circuito de tierra.

Es responsabilidad del cliente:

Llamar un instalador eléctrico calificado.

Verificar que la instalación eléctrica es correcta y en conformidad con el Código Nacional de Energía, ANSI/NFPA 70, última edición\*, además de todas las normas y ordenanzas municipales al efecto.

tomacorriente de pared de conexión a tierra de 3 terminales

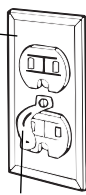
enchufe triple con tierra

alambre eléctrico



terminal de tierra

retenedor



Se requiere una fuente eléctrica de 120 voltios, 60 Hz, CA solamente, con fusible de 15 ó 20 amperios. Se recomienda un fusible de tiempo diferido o un disyuntor. También se recomienda que un circuito separado sea de 3 terminales provisto para este artefacto. Este artefacto está equipado con un cordón de suministro de energía provisto de un enchufe triple con tierra.

Para minimizar el peligro de choque eléctrico, el cordón debe estar enchufado a un receptáculo de pared con contacto a tierra, puesto a tierra de acuerdo con el Código Nacional de Energía, ANSI/NFPA 70-última edición\*, y todos los códigos y ordenanzas locales.

Pueden obtenerse copios del estándar listado en:

\* National Fire Protection Association  
Battery March Park  
Quincy, Massachusetts 02269

## Requerimiento para el Suministro de Agua

Use solamente tubería de cobre de 1/4" de pulg (6 mm) para suministro de agua.

No use tubería de cobre en zonas donde la temperatura sea menor que 32°F (0°C)

Antes de unir la tubería de cobre al refrigerador, haga correr por lo menos 2 cuartos (1.9 L) de agua por la tubería de cobre a un balde para limpiar de impurezas la tubería de agua.

No ajuste en forma excesiva la abrazadera o casquillo. Esto puede machacar la tubería.

Controle que no haya filtración alrededor de la montura de la válvula.

La tubería de suministro de agua al refrigerador debe proveer 15-100 psi (103 - 690 kPa) de presión.

Para calcular la longitud de la tubería de cobre de D.E. de 1/4 de pulg (6mm) necesaria:

1. Localice la tubería vertical de agua FRIA de 1/2 pulg (1.2 cm) o 1-1/4 pulg (3.2 cm) mas cerca del refrigerador. Una tubería horizontal de agua FRIA puede ser usada, si se sigue con cuidado las instrucciones en el paso 4.
2. Mida la distancia de la tubería de agua fría al refrigerador. Agregue 24 pulg (61 cm) a esta medida.

Para pre-instalar la entrada de agua :

3. CIERRE el suministro de agua. ABRA el grifo mas cercano durante el tiempo suficiente para vaciar la tubería de agua.

4. **Tubería vertical de agua fría:** Use un taladro eléctrico puesto a tierra, o un taladro de mano para hacer una perforación de 3/16 de pulg (4.5 mm), en un lugar fácilmente accesible de la tubería.

**Tubería horizontal de agua fría:** Use un taladro eléctrico puesto a tierra, o un taladro de mano para hacer una perforación de 3/16 pulg (4.5 mm) en la parte superior de la tubería de agua. Esto es para prevenir que se acumulen sedimentos en la válvula.

5. Coloque la arandela sobre el agujero en la tubería de agua. Gire el vástago de la válvula en el sentido de las agujas del reloj para exponer la lanceta perforadora a un máximo de 3/16 de pulg (4.5 mm). Alinee la lanceta de perforación con el agujero en la tubería. Coloque las dos



mitades de la montura de la válvula en la tubería de agua. Gire el vástago de la válvula en el sentido de las agujas del reloj hasta que la lanceta de perforación entre en el agujero de la tubería y quede firmemente asentada. La montura de la válvula no está en la posición cerrada. Apriete la tuerca de la empaquetadura. En forma pareja y firmemente apriete los tornillos del soporte, para que la arandela forme una conexión sin filtración. **No apriete demasiado los tornillos; la tubería de cobre puede resultar aplastada.**

6. Verifique que ambas terminaciones de la tubería de cobre estén cortadas en escuadra. Deslice la



tuerca de presión y el casquillo manga en la tubería de cobre. Inserte la terminación de la tubería de cobre completamente en la salida de la válvula. Apriete la tuerca de presión con una llave ajustable. **No apriete demasiado.**

7. Abra el suministro de agua. Controle que no haya filtración. Gire el vástago de la válvula en el sentido contrario de las agujas del reloj y haga correr el agua por la tubería de cobre a un balde. Gire el vástago de la válvula en el sentido de las agujas del reloj para cerrar el agua.

8. Guíe la tubería de cobre al área del refrigerador.

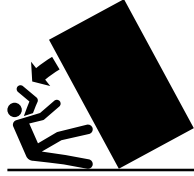
# Pasos para la Instalación

## Partes suministradas para la instalación:

- rejilla de la base
- bolsa con partes varias

Verifique que todas las partes fueron incluidas.

## ⚠ ADVERTENCIA



### Peligro de Vuelco

**El refrigerador puede volcarse cuando está siendo instalado debido a que la parte superior es pesada.**

**Mantenga las puertas cerradas con cinta hasta que el refrigerador esté completamente instalado.**

**Se necesitan dos o más personas para mover e instalar el refrigerador.**

**El incumplimiento de esta advertencia puede resultar en una lesión grave o mortal.**

No baje el refrigerador contra la base de embalaje cuando quite la base de embalaje.

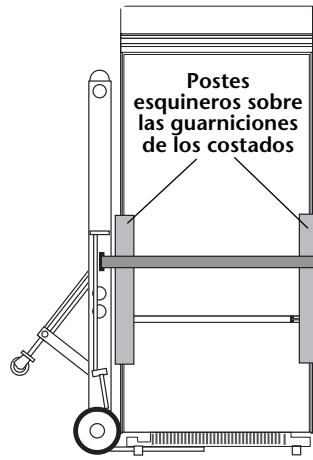
No quite la película protectora hasta que el refrigerador se encuentre en posición de operación.

Todas las cuatro patas niveladoras deben de estar en contacto con el piso para soportar y estabilizar todo el peso del refrigerador.

Mantenga el embalaje de cartón o laminado debajo del refrigerador hasta que esté instalado y en posición de operación.

**1.** Saque y guarde el paquete con literatura y la bolsa de partes pegada a la puerta del refrigerador. Quite los cuatro soportes (dos a cada lado) que fijan la base de embalaje a la parte inferior del refrigerador.

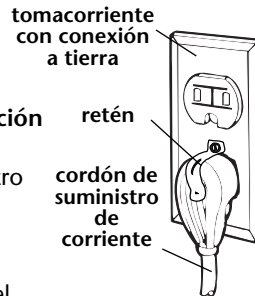
**No quite la cinta ni el anclaje de la puerta hasta que el refrigerador se encuentre en su posición final.**



**2.** Coloque la carretilla de ruedas para aparatos debajo del lado del congelador del refrigerador y envuelva holgadamente la correa de la carretilla alrededor del refrigerador. Inserte los postes esquineros de cartón entre la correa y el refrigerador en las guarniciones de los costados y en las manijas. Cuidadosamente apriete la correa asegurándose de que las guarniciones de los lados y las manijas están protegidas.

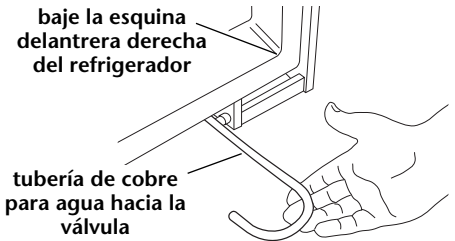
**3.** Coloque secciones del cartón de embalaje en el piso cuando ruede la carretilla y el refrigerador dentro de la casa. Mueva el refrigerador cerca de la abertura empotrada.

**4.** Coloque el interruptor de corriente situado encima del mueble en la posición "OFF". Enchufe el cordón de suministro de corriente en el tomacorriente con conexión a tierra. Instale el retén en el tomacorriente conectado a tierra usando un tornillo de la bolsa de partes.



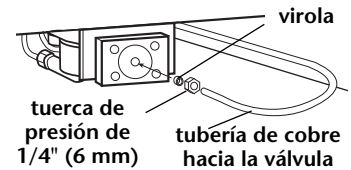
**5.** Coloque la parte de arriba del embalaje de cartón o de madera laminada debajo del refrigerador. Saque la carretilla. Abra las puertas del artefacto y saque todas las cajas, paquetes con partes y material de empaque de los compartimientos del refrigerador y de la congelador. No quite la película protectora. Mueva el refrigerador directamente hacia atrás en forma pareja dentro de la abertura. Verifique que:

- la tubería de cobre no esté retorcida
- el cordón de suministro de corriente se encuentre encima del refrigerador cerca de la cubierta.



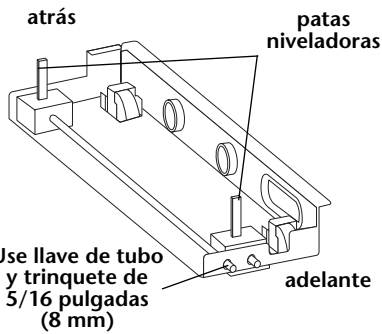
Verifique que la tubería de suministro de agua haya sido limpiada con un chorro de agua. Ver página 7.

**6.** Jale hacia adelante la tubería de agua de debajo del refrigerador. Doble el extremo con mucho cuidado haciendo un gancho de 3 1/2 pulgadas o menor (180°) en la línea de suministro de agua.



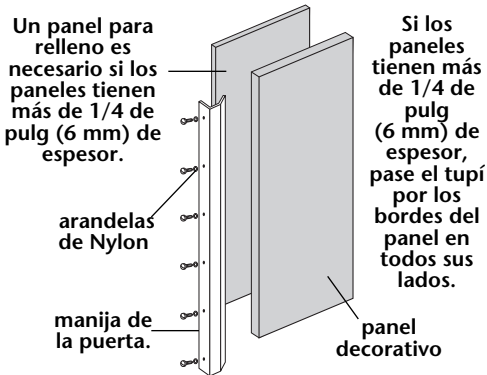
No retuerza la línea de suministro de agua. Quite el casquillo de la válvula del agua. Deslice la tuerca de presión y después la virola, encima de la línea de suministro de agua. Inserte la línea de suministro de agua completamente en la válvula del agua. Ajuste la tuerca de presión a la válvula de agua. No ajuste en exceso.

Ponga la válvula de suministro de agua a la posición "OPEN". Ponga el interruptor del refrigerador en la posición "ON". Espere unos minutos. Verifique que no haya filtración en la conexión de la tubería de agua.



**7.** Use llave de tubo para girar a la derecha (en el sentido de las agujas del reloj) las patas niveladoras a ambos lados del refrigerador hasta que el peso recaiga sobre las patas niveladoras. Deben quitarse los rodillos del piso.

**Note:** las cuatro patas niveladoras deben estar en contacto con el piso para sostener y estabilizar el peso total del refrigerador. Los rodillos sirven para mover el refrigerador, no para sostenerlo permanentemente.

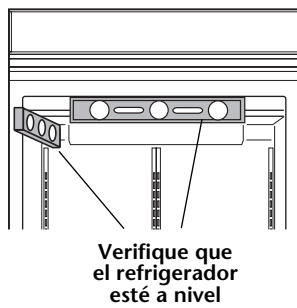


**8.** Modelos con puertas laterales de acero inoxidable: vaya al paso 9.

**Modelos con paneles:** Quite todas las cintas y los anclajes para puertas de las puertas del refrigerador y del congelador. Quite los tornillos que fijan las manijas a los marcos de las puertas. Deslice los paneles decorativos dentro de los marcos de las puertas.

**Si los paneles tienen menos de 1/4 de pulg (6 mm) de espesor,** instale un panel de relleno entre la puerta y el panel decorativo.

**Si los paneles tienen más de 1/4 pulg (6 mm) de espesor,** pase el tupí por los bordes del panel en todos sus lados.



**9.** Abra las puertas. Coloque un nivel contra la parte superior interna del refrigerador como se muestra. Ajuste las patas niveladoras hasta que el refrigerador esté nivelado. Verifique que las cuatro patas niveladoras hagan contacto con el piso y soportan todo el peso del refrigerador. Los paneles de las puertas deben de estar instaladas antes de hacer la nivelación.

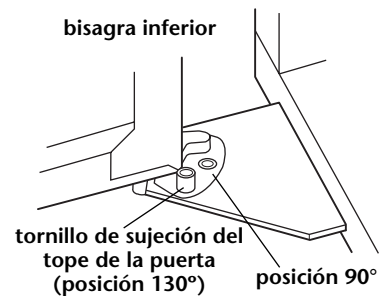
**10.** Verifique que la puerta del refrigerador esté alineada.

Si es necesario ajustar la puerta del refrigerador hacia la izquierda o hacia la derecha o hacia adentro o hacia afuera, afloje los tornillos de cabeza hexagonal de 3/8 de pulg. (9 mm) en la bisagra de arriba.

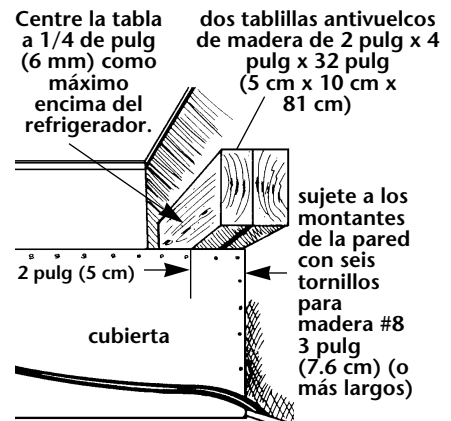
**11.** Vuelva a colocar las manijas de la puerta.

Si las manijas no están alineadas, afloje todos los tornillos de las manijas y ajústelas hacia arriba o hacia abajo. Apriete los tornillos. Si alguno de los tornillos de la puerta blanca ha sido dañado, reemplácelo con otro del paquete de partes.

Si alguno de los tornillos de la puerta blanca (modelos con guarnición blanca solamente) ha sido dañado, reemplácelo con tornillos adicionales del paquete de partes.



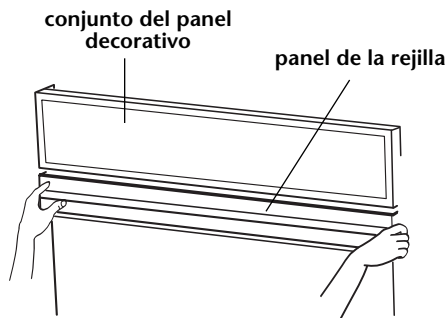
**12.** Verifique que la puerta del refrigerador se abra holgadamente. Si la puerta se abre con demasiada amplitud, quite el tornillo del tope de la puerta de la bisagra inferior. Mantenga la puerta abierta en una abertura inferior a los 90°. Vuelva a colocar el tornillo del tope de la puerta en la posición de 90° en la bisagra inferior y apriete el tornillo. Si la puerta no despeja el contratope después de haber sido ajustada, es posible que sea necesario biselar los contratopes.



Las tablillas deben de ser lo suficientemente largas para cubrir completamente la cubierta del compresor.

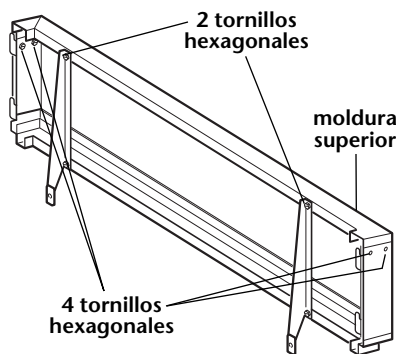
**13.** Si el cielo raso está a 1 pulgada (2.5 cm) por encima del refrigerador, las tablillas de madera antivuelcos no son necesarias.

Si no existe un cielo raso sólido o está a más de 1 pulgada (2.5 cm) por encima del refrigerador, localice los montantes de la pared en la abertura para el refrigerador. Centre una tabla de madera en la pared de atrás máximo 1/4 de pulgada (6 mm) encima del refrigerador. Sujete la tablilla de madera a los montantes de la pared utilizando tornillos para madera - asegurando que los tornillos se introduzcan como mínimo 1 1/2 pulgadas (3.8 cm) en los montantes. Sujete una segunda tablilla de madera al frente de la primera tablilla. Las tablillas de madera deben de extenderse como mínimo 2 pulgadas (5 cm) sobre la parte posterior de arriba de la cubierta del compresor del refrigerador.



**14.** Modelos con puertas laterales de acero inoxidable: vaya al paso 17.

**Modelos con paneles:** quite el panel de la rejilla sujetándolo por ambos extremos, levántelo y jale derecho hacia afuera. Quite el panel decorativo quitando el tornillo de fijación en cada extremo de los dos soportes de montaje. Una vez que haya quitado los tornillos, deslice el panel hacia abajo y jale derecho hacia afuera.

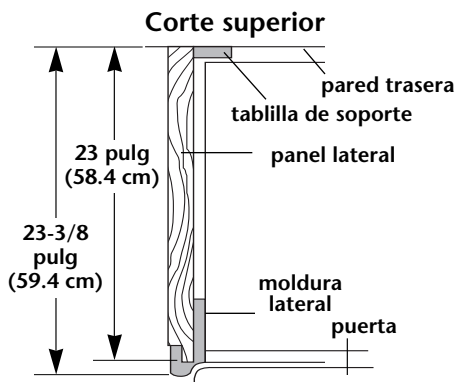


**15.** Modelos con paneles: saque los dos tornillos hexagonales que fijan el soporte de montaje de la rejilla a la moldura superior. Saque los cuatro tornillos hexagonales que fijan la moldura superior a la moldura lateral (dos a cada lado). Levante la moldura superior para sacarla. Deslice el panel decorativo hacia adentro desde la parte superior. Vuelva a fijar la moldura superior a la moldura lateral, con los cuatro tornillos hexagonales (dos a cada lado). Vuelva a fijar el soporte de montaje de la rejilla a la moldura superior con los dos tornillos hexagonales.

**16.** Modelos con paneles: vuelva a fijar el panel decorativo y el panel de la rejilla.

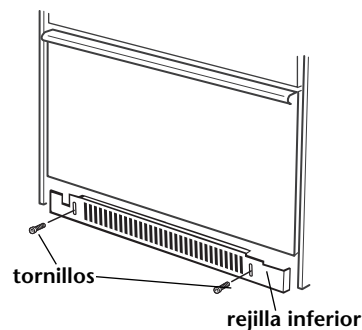
**17.** Si no se usan paneles laterales, vaya al paso 18.

Si la profundidad del área empotrada es 25 pulg. [63.5 cm] o más, los paneles laterales pueden instalarse dentro de la moldura lateral o conectarse al exterior de la moldura lateral.



- **Interior de moldura lateral:** Deslice el borde delantero del panel lateral moldeado dentro de la moldura. Clave el borde posterior del panel a la tablilla de soporte.

**NOTA:** KitchenAid no se responsabiliza por la remoción o adición de las molduras o paneles decorativos que impedirían el servicio o del refrigerador.



**18.** Abra la puerta de la unidad y quite la película protectora del marco de la puerta. Vuelva a verificar que no existen fugas de las conexiones de agua en la parte inferior del refrigerador.

Instale la rejilla inferior al gabinete por medio de dos tornillos. Instale los anaqueles y cajones en el refrigerador y congelador.

**19.** Ajuste los controles de temperatura del refrigerador y congelador en un punto medio entre "COLD" [FRIO] y "COLDEST" [MUY FRIO]. Verifique que el compresor se encuentre funcionando correctamente, al igual que las seis luces.

**Para obtener el uso más eficiente de su refrigerador empotrado, lea el manual de funcionamiento y mantenimiento KitchenAid. Guarde sus manuales cerca al refrigerador en caso de necesidad.**