



# 29" (73.7 mm) Gas Dryer

## PRODUCT MODEL NUMBERS

WGD5000V WGD5600V  
 WGD5100V WGD5700V  
 WGD5200V WGD5790V  
 WGD5300V

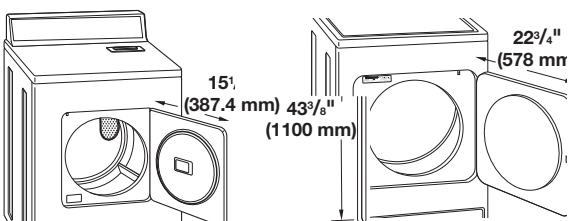
**Gas supply:** Dryer is equipped for use with Natural gas. Dryer can be converted to L.P. gas. When rigid pipe is used it should be 1/2" IPS. When acceptable to the gas supplier and local codes, 3/8" approved aluminum or copper tubing may be used for lengths under 20 ft (6.1 m). For lengths more than 20 ft (6.1 m), larger tubing and a different size adapter fitting should be used. Pipe-joint compounds resistant to the action of L.P. gas must be used. Do not use TEFLON<sup>®</sup> tape. If local codes permit, it is recommended that new flexible metal tubing, design-certified by CSA, be used for connecting the appliance to the rigid gas supply line. (The gas pipe which extends through the lower rear of the appliance has 3/8" male pipe thread.) An individual manual shutoff valve must be installed within 6 ft (1.8 m) of the dryer in accordance with the National Fuel Gas Code ANSI Z223.1.

**Electrical:** A 120-volt, 60-Hz, AC-only, 15- or 20-amp, fused electrical supply is required. A time-delay fuse or circuit breaker is recommended. It is recommended that a separate circuit serving only this dryer be provided.

**Exhaust venting:** Exhaust your dryer to the outside. 4" (10.2 cm) diameter heavy metal exhaust vent and clamps must be used. DURASAFE<sup>™</sup> venting products are recommended. For best drying performance, rigid metal vents are recommended. Flexible metal vents are acceptable only if accessible for cleaning. Do NOT use plastic or metal foil vent. Exhaust outlet hood must be at least 12" (30.5 cm) from the ground or any object that may be in the path of the exhaust.

†TEFLON is a registered trademark of E.I. Du Pont De Nemours and Company.

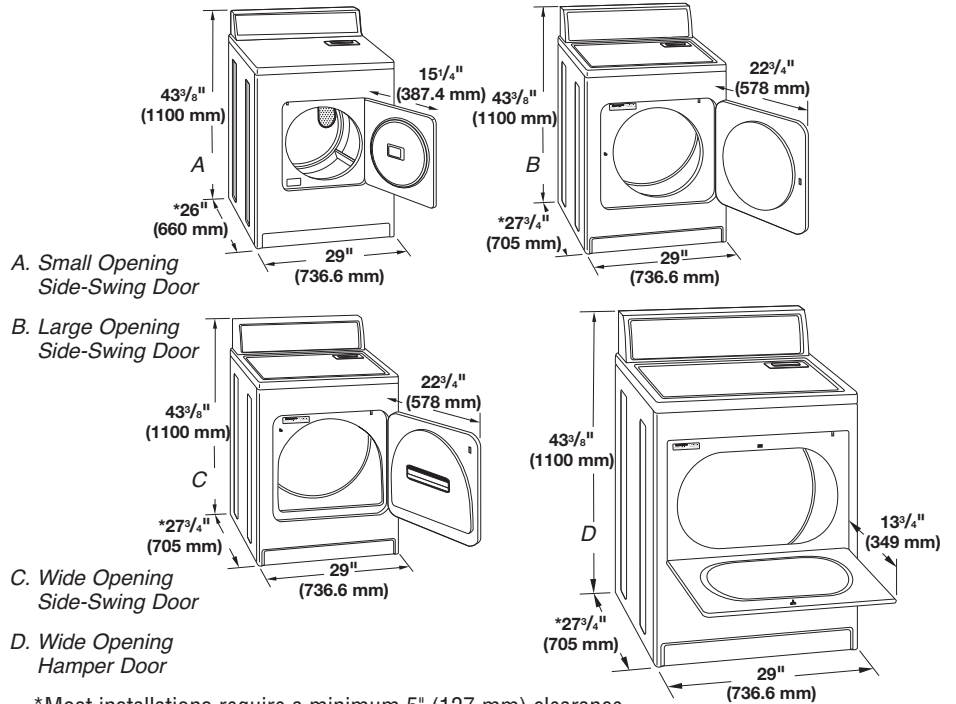
## EXHAUST VENTING



**NOTE:** Side and bottom exhaust installations have a 90° turn inside the dryer. To determine maximum exhaust length, add one 90° turn to the chart.

Number of 90° turns or elbows	Type of vent	Box or Louvered hoods	Angled hoods
0	Rigid metal	64 ft (20 m)	58 ft (17.7 m)
1	Rigid metal	54 ft (16.5 m)	48 ft (14.6 m)
2	Rigid metal	44 ft (13.4 m)	38 ft (11.6 m)
3	Rigid metal	35 ft (10.7 m)	29 ft (8.8 m)
4	Rigid metal	27 ft (8.2 m)	21 ft (6.4 m)

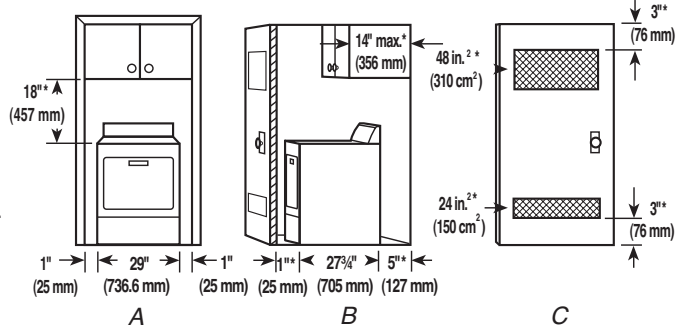
## PRODUCT DIMENSIONS



\*Most installations require a minimum 5" (127 mm) clearance behind the dryer for the exhaust vent with elbow.

## RECESSED AREA AND CLOSET INSTALLATION

For closet installation with a door, minimum ventilation openings in the top and bottom of the door are required. Louvered doors with equivalent ventilation openings are acceptable.



A. Recessed area  
 B. Side view - closet or confined area  
 C. Closet door with vents

\* Required spacing

1. Select the route that will provide the straightest and most direct path outdoors. Plan the installation to use the fewest number of elbows and turns. When using elbows or making turns, allow as much room as possible. Bend vent gradually to avoid kinking. Avoid 90° turns.

2. Determine vent length.

The maximum length of the exhaust system depends upon:

- Type of vent (rigid metal or flexible metal).
- Number of elbows used.
- Type of hood.

See the exhaust vent length chart that matches your hood type for the maximum vent lengths you can use.

3. Determine the number of elbows you will need.

**IMPORTANT:** Do not use vent runs longer than specified in the Vent Length Chart.

In the column listing the type of metal vent you are using (rigid metal or flexible metal), find the maximum length of metal vent on the same line as the number of elbows.