

PERFORMANCE DATA NO LOAD AND NO DOOR OPENINGS AT MID-POINT CONTROL SETTING				
Type A With Run/Start Capacitor	65°F (18°C) Ambient	90°F (32°C) Ambient		
Operating Time	32 to 40%	55 to 65%		
Freezer Temperature	0° to 4°F -18° to -16°C	-1° to 3°F -18° to -16°C		
Refrigerator Temperature	34° to 39°F 1° to 4°C	34° to 39°F 1° to 4°C		
Low Side Pressure (cut-in)	5 to 12 psig 34 to 83 kPa	5 to 12 psig 34 to 83 kPa		
Low Side Pressure (cut-out)	-2 to 2 psig -14 to 14 kPa	-2 to 2 psig -14 to 14 kPa		
High Side Pressure (Last 1/3 of cycle)	90 to 115 psig 621 to 793 kPa	130 to 155 psig 896 to 1069 kPa		
Wattage (Last 1/3 of cycle)	120 to 150	130 to 160		
Amps (Running)	1.2 to 1.5	1.2 to 1.5		
Base Voltage	115 vac (127 vac max)	115 vac (127 vac max)		
DEFROST SPECIFICATIONS				
Cabinet Size	Thermostat		Heater	
	Cut-in	Cut-out	Watts	Ohms
23' & 26'	25°F -4°C	47°F 8°C	450	30
Electronic Timer - (ADC) Defrost 24 minutes every 6 to 72 hours of compressor run time.				
CONDENSER FAN MOTOR				
Watts	RPM	Amps		
7	1100 CW Opposite Shaft	.1 Running		
ICE MAKER SPECIFICATIONS				
Electrical	115 vac (127 vac max)	60 Hertz		
Thermostat	Opens at 48°F (9°C)	Closes at 15°F (-9°C)		
Heater Wattage	165			
ICE MAKER CONNECTOR PLUG CONNECTIONS				
Wire Number	Wire Color	Connects to:		
1	Green/Yellow	Ground		
2	Yellow	Water Valve		
3	Black	Line		
4	Lt. Blue	Neutral		

## SERVICE DATA SHEET - 240389612

### R134a ICE & WATER - AUTOMATIC DEFROST SIDE BY SIDE MODELS

**IMPORTANT SAFETY NOTICE**

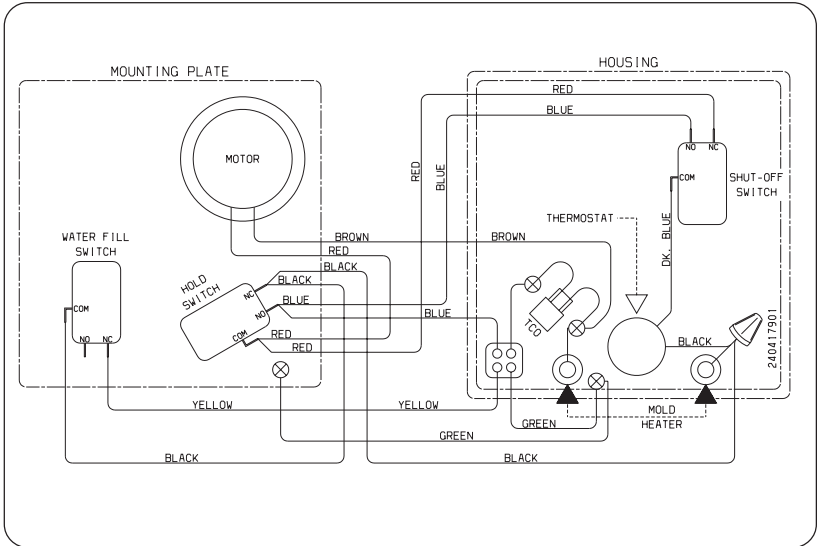
The information provided herein is designed to assist qualified repair personnel only. Untrained persons should not attempt to make repairs due to the possibility of electrical shock. Disconnect power cord before servicing.

**IMPORTANT**

If any green grounding wires are moved during servicing, they must be returned to their original position and properly secured.

**CAUTION: All electrical parts and wiring must be shielded from torch flame. Do not allow torch to contact insulation; it will char at 200°F and flash ignite (burn) at 500°F. Excessive heat will distort the plastic liner.**

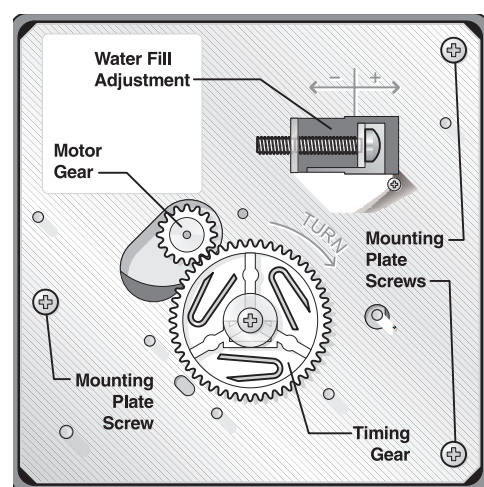
**NOTE: This product comes equipped with an Electronic Defrost Control. To initiate defrost, depress the fresh food light switch 5 times in 6 seconds (light bulb must be working). To terminate defrost, depress the fresh food light switch 5 times in 6 seconds.**



## ICE MAKER INFORMATION

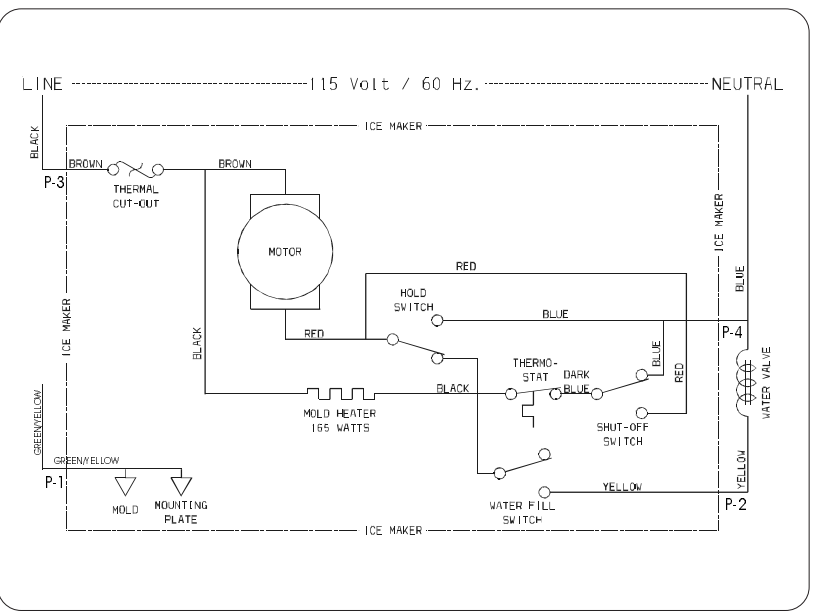
**Test Cycling**

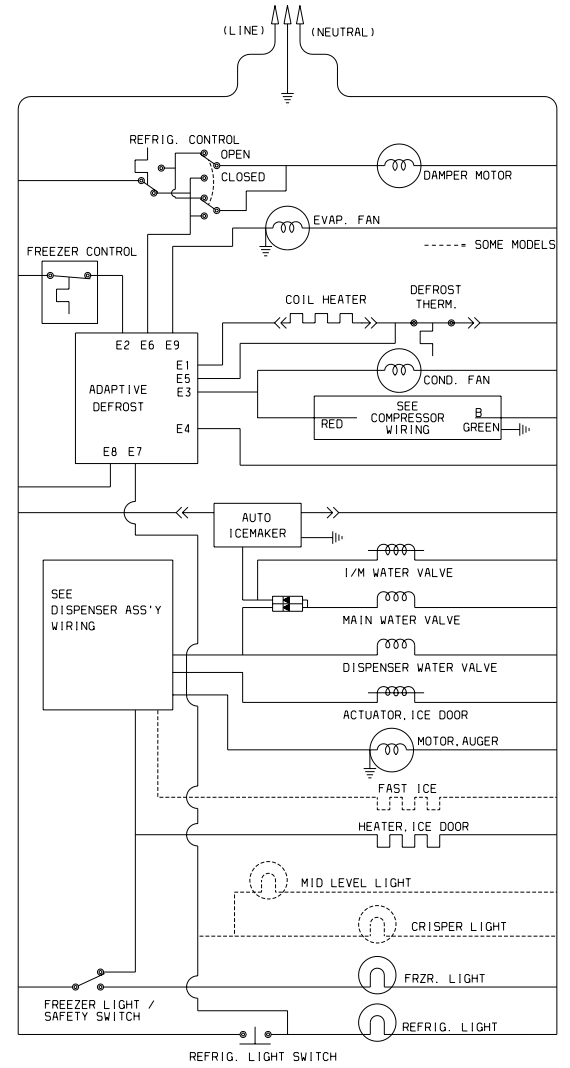
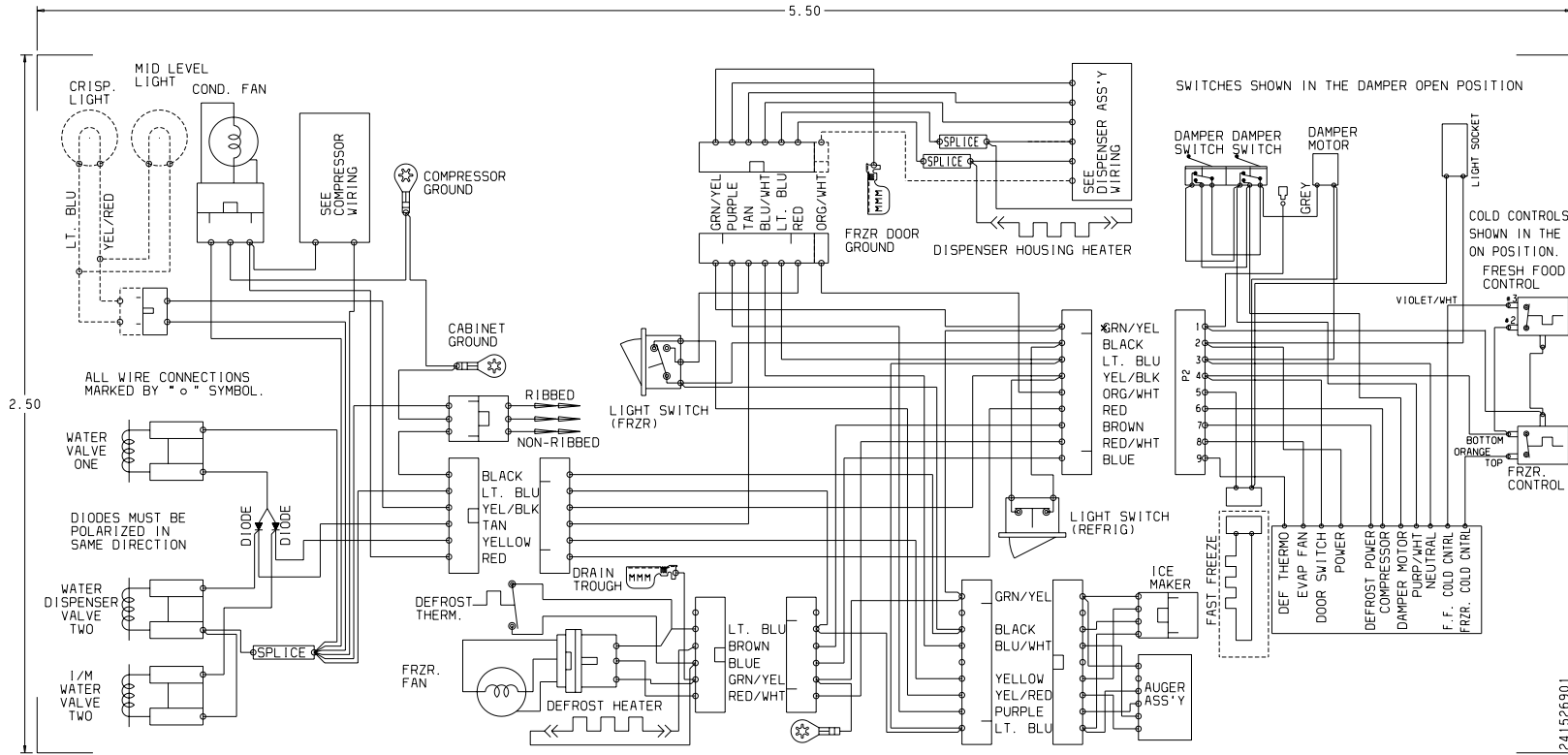
Remove cover by inserting screwdriver in notch at bottom and prying cover from housing. Use screwdriver to rotate motor gear counterclockwise until holding switch circuit is completed. All components of ice maker should function to complete the cycle.



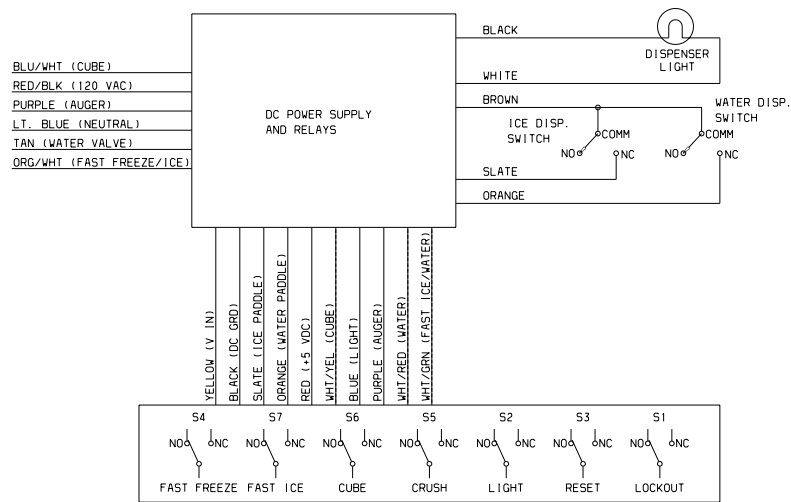
**Water Fill Volume**

The water fill adjustment screw will change the fill time. One full turn is equal to 20cc (.68 oz.). The correct fill is 102 to 130cc (3.4 to 4.3 oz.). When a water valve is replaced, the fill volume must be checked.

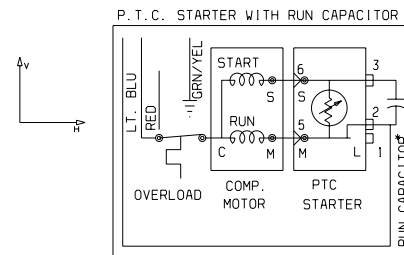
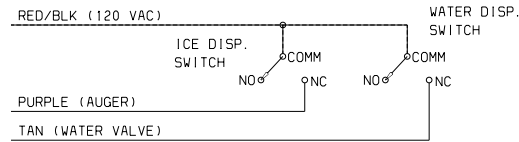




ELECTRONIC DISPENSER



ELECTRO-MECHANICAL DISPENSER



SERVICE PARTS	23 CUBIC FOOT		26 CUBIC FOOT	
	STANDARD	E-STAR	STANDARD	E-STAR
Compressor Kit *	5303918296	5303918251	5303918254	5303918254
Starter/P.T.C. *	218721124	218721119	218721119	218721119
Run Capacitor *	216787800	216787800	218909901	218909901
Temp. Control-Refr	241507701	241507701	241507701	241507701
Temp. Control-FrZR	450226-07	450226-07	450226-07	450226-07
Timer (if applicable)	N/A	N/A	N/A	N/A
ADC (if applicable)	241508001	241508001	241508001	241508001
Defrost Heater Kit	5303918253	5303918253	5303918253	5303918253
Defrost Thermostat Kit	5303918214	5303918214	5303918214	5303918214
Evaporator Fan Motor	240315803	240315802	240315803	240315802
Condenser Fan Motor	240397101	240334001	240397101	240334002

\* Typical compressor kit includes compressor, electrical components, and filter-drier