

# Have questions about your dryer?

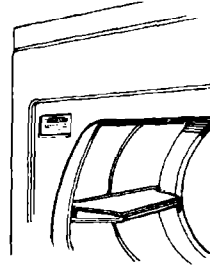
Check your Use and Care Guide for a toll-free number to call, or call your dealer. The dealer is listed in the Yellow Pages of your phone directory under "Appliances — Household — Major — Service and Repair."

When you call, you will need the dryer model number and serial number. Both numbers are on the model/serial rating plate located in the door well behind the dryer door and on front of opening.

Record the numbers here for handy reference:

Model No. \_\_\_\_\_

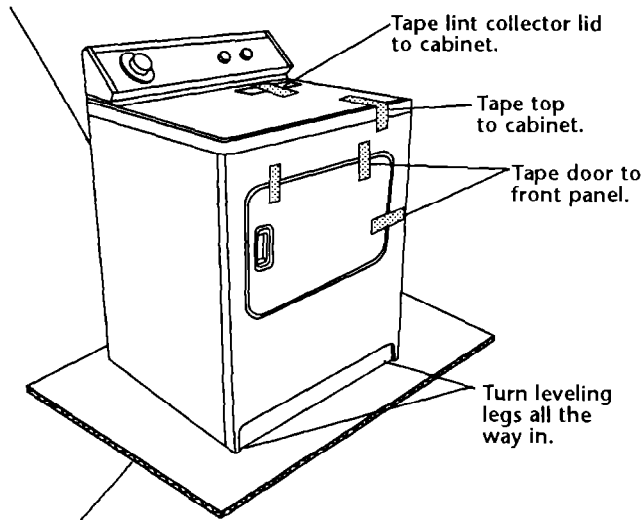
Serial No. \_\_\_\_\_



# Moving dryer to a new location?

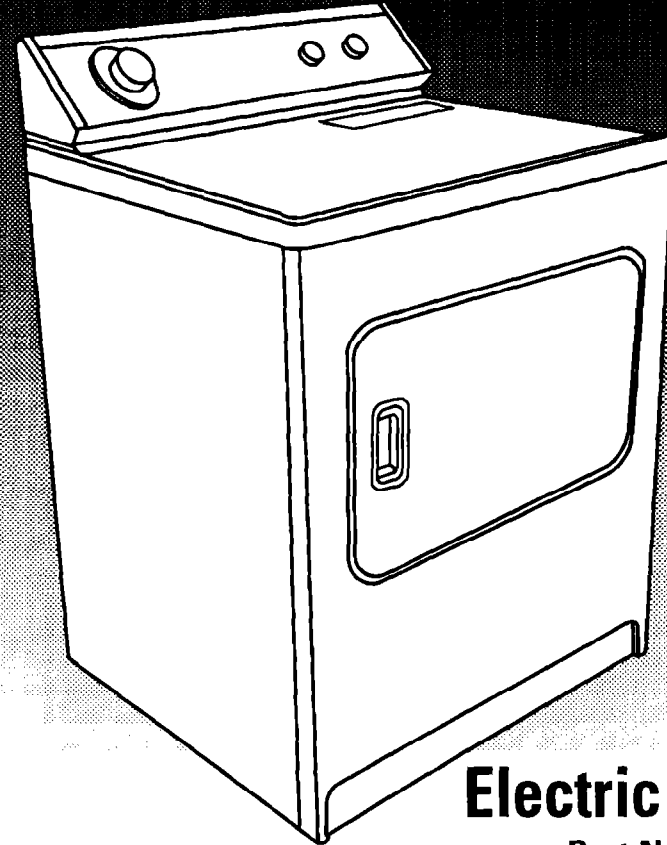
Check with a licensed electrician to confirm that supply voltage at new home matches voltage specified on the model/serial rating plate.

Shut off electrical supply to dryer. Unplug power supply cord and tape it securely to dryer. (Or disconnect power supply cable from dryer.)



Slide dryer onto cardboard or hardboard before moving it across the floor to prevent damaging floor covering.

# Installation Instructions



**Electric Dryer**  
Part No. 3397625

## IMPORTANT: Read and save these instructions.

**Installer:** Leave Installation Instructions with homeowner.

**Homeowner:** Keep Installation Instructions for future reference.

**For best performance,** install dryer according to Installation Instructions. Failure to complete installation as instructed could void warranty.

**Save** Installation Instructions for local electrical inspector's use.

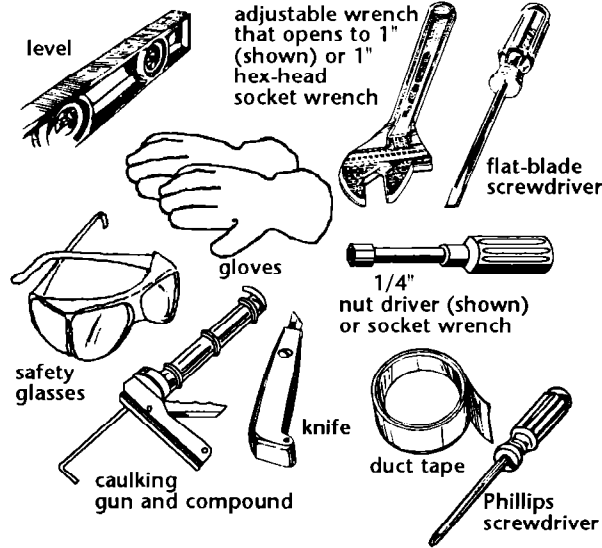




# Before you start:

Check that you have everything necessary for correct installation. Proper installation is your responsibility.

## Tools needed for installation:



## Tools needed to change door swing:

- Phillips screwdriver
- soft cloth or towel

## Parts supplied for installation:

Remove parts package from dryer drum. Check that all parts were included.



4 leveling legs

## Parts needed for installation:

Check local codes and see electrical and venting requirements, Panels A and B, before purchasing parts. Determine if you will need to purchase a power supply cord kit or power supply cable.

## Electrical

### If using a power supply cord:

Dryer power supply cord must be:

- U.L.-listed
- 220-volt minimum
- 30-ampere
- Type SRD or SRDT
- At least 4 feet (122 cm) long

The wires that connect to the dryer must end in ring terminals or spade terminals with upturned ends.

If your outlet looks like this:	Choose this power supply cord:
<p>4-wire receptacle (14-30R)</p>	<p>4-wire power supply cord with ring or spade terminals and U.L.-listed strain relief</p>
<p>3-wire receptacle (10-30R)</p>	<p>3-wire power supply cord with ring or spade terminals and U.L.-listed strain relief</p>

### If connecting by direct wire:

Power supply cable must match power supply (4-wire or 3-wire) and be:

- flexible armored or non-metallic sheathed copper cable (with grounding wire).
- 10-GAUGE SOLID COPPER WIRE. (Do not use aluminum.)
- at least 4 feet (122 cm) long.

## Venting

### Ductwork

Four-inch (10.2 cm) metal exhaust vent must be used.

Preferred	Acceptable
<p>rigid metal</p>	<p>flexible metal</p>
DO NOT USE non-metal vent	
<p>No flexible plastic</p>	<p>No flexible foil</p>

### Exhaust hood

Do Not use exhaust hoods with magnetic latches.

Preferred	Acceptable
<p>4" (10.2 cm)</p>	<p>4" (10.2 cm)</p>
	<p>2-1/2" (6.4 cm)</p>

### Non-exhausted recessed installations:

require Exhaust Deflector Kit, Part Number 3391278\*

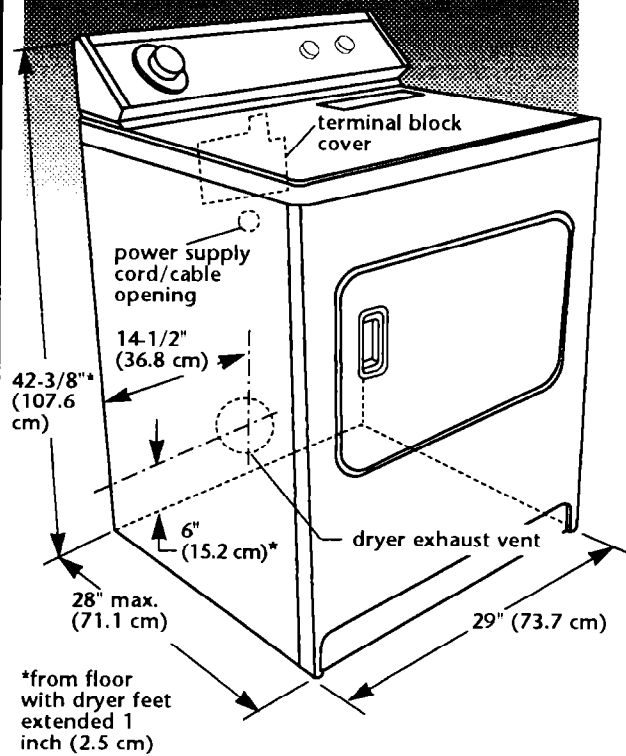
### Floors sloped greater than 1 inch (2.5 cm):

require Extended Dryer Feet Kit, Part No. 279810\*

\*Available for purchase from your dealer.



## Dryer location and dimensions



## ⚠ WARNING



### Explosion Hazard

Keep flammable materials and vapors away from dryer.

Place dryer at least 18 inches above the floor for a garage installation.

Failure to do so can result in death, explosion, fire, or burns.

## For proper drying performance:

The location must provide:

- ✓ **Protection from weather and water:** Do not store or use dryer where it will be exposed to water and weather.
- ✓ **Room temperature above 45°F (7.2°C):** If room temperature is below 45°F (7.2°C), automatic cycles may not shut off.
- ✓ **Level floor:** Maximum slope under entire dryer should not be more than 1 inch (2.5 cm). (If slope is greater than 1" (2.5 cm), install Extended Dryer Feet Kit, Part No. 279810.) Clothes may not tumble properly and automatic sensor cycles may not operate correctly if dryer is not level.
- ✓ **Sturdy floor** to support dryer weight of 150 pounds (68 kg).
- ✓ **Exhaust to outdoors:** To prevent large amounts of lint and moisture from accumulating and to maintain drying efficiency, exhaust dryer to outdoors.

## It is your responsibility to:

- ✓ observe all governing codes and ordinances.
- ✓ **check code requirements:** Some codes limit or do not permit installation of clothes dryers in garages, closets, mobile homes or sleeping quarters. Contact your local building inspector.
- ✓ comply with the installation specifications and dimensions.
- ✓ consider spacing requirements for companion appliances.
- ✓ properly install dryer.
- ✓ make sure you have everything necessary for proper installation.
- ✓ contact a qualified installer to insure that the electrical installation meets all national and local codes and ordinances.

## Recessed area/closet installation

## ⚠ WARNING



### Fire Hazard

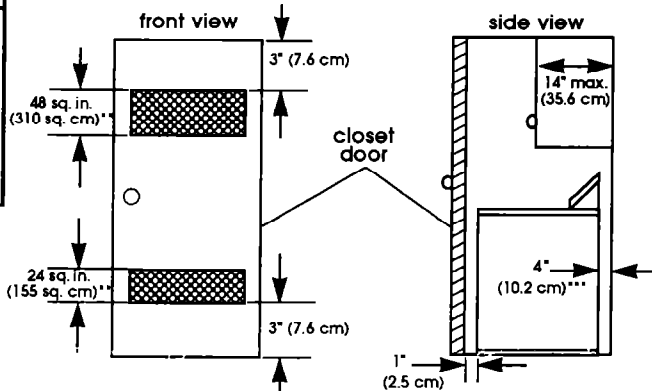
Exhaust dryer outside if installed in a closet. Use Exhaust Deflector Kit #3391278 if installed in a recessed area. Failure to follow this instruction could result in a fire.

NOTE: No fuel-burning appliances may be installed in the same closet as a dryer.

- If codes permit, dryer may be installed in a recessed area or closet using dimensions shown.
- Dimensions are in inches and are the minimum allowable.
- Additional spacing should be considered for ease of installation and servicing. Companion appliance spacing should also be considered.

### Closet/confined area installation

If a closet door is installed: The minimum unobstructed air openings are required. Louvered doors with equivalent air openings are acceptable.

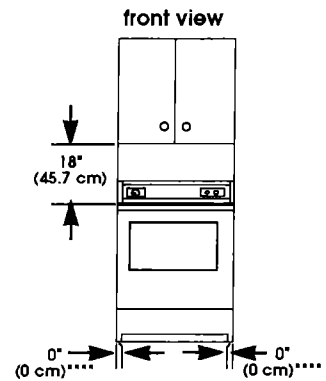


- \*\* Minimum top and bottom air openings for closet door.
- \*\*\* External exhaust elbow requires additional space.

### Recessed area installation

The dryer should be exhausted to the outside for best performance.

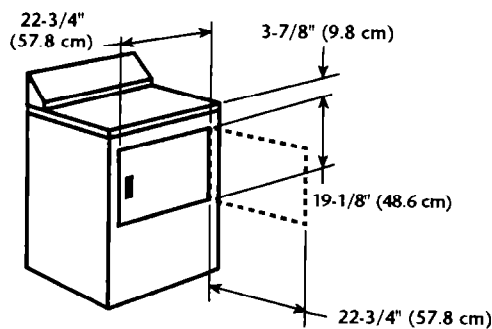
If dryer is not exhausted outside, you must install Exhaust Deflector Kit, Part No. 3391278, available from your dealer.



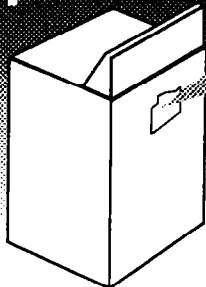
- \*\*\*\* Wall, door and floor molding may require additional spacing.

## Door clearance

Location must be large enough to fully open dryer door.



## Electrical requirements



**Important: Observe all governing codes and ordinances.**

A two-wire, single phase, 220-volt, 60-Hz, AC-only, electrical supply is required on a separate 30-ampere circuit, fused on both sides of the line. A time-delay fuse or circuit breaker is recommended.

**THE DRYER MUST BE CONNECTED WITH COPPER WIRE ONLY.**

The dryer may be connected directly to the fused disconnect or circuit breaker box through

## ⚠ WARNING

### Electrical Shock Hazard



Electrical ground (earth) is required on this dryer.

Do Not ground (earth) to a gas pipe.

Do Not change the power supply cord plug.

If it does not fit the outlet, have a proper outlet installed by a qualified electrician.

Do Not have a fuse in the neutral or grounding circuit.

Do Not use an extension cord with this dryer.

Do Not reuse old power supply cord.

Check with a qualified electrician to be sure dryer is properly grounded (earthed).

Do Not connect plug end of power supply cord into a live receptacle before connecting power supply cord to dryer terminal block.

Failure to follow these instructions could result in death or serious injury.

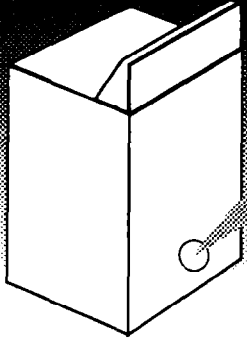
If codes permit and a separate grounding (earthing) wire is used, it is recommended that a qualified electrician determine that the grounding (earthing) path is adequate.

flexible, armored or non-metallic sheathed copper cable. Allow two or three feet (61-91 cm) of slack in the line between the wall and the dryer so that it can be moved if servicing is ever necessary. A conduit connector must be provided at each end of the power supply cable (at the appliance and at the junction box). Wire sizes (COPPER WIRE ONLY) and connections must conform with the rating of the appliance (30 amperes).

### Grounding (earthing) instructions

This appliance must be connected to a grounded (earthed) metal, permanent wiring system; or an equipment-grounding (earthing) conductor must be run with the circuit conductors and connected to the equipment-grounding (earthing) terminal or lead on the appliance.

## ✓ Exhaust requirements



### ⚠ WARNING



#### Fire Hazard

Use a heavy metal vent.  
Do not use a plastic vent.  
Do not use a metal foil vent.  
Failure to do so can result in death or fire.

- Do Not use non-metal flexible vent, metal vent that is smaller than four inches (10.2 cm) in diameter or exhaust hoods with magnetic latches.
- Do Not exhaust dryer into a chimney, furnace cold air vent, attic or crawl space, or any other vent used for venting.
- Do Not install flexible vent in enclosed walls, ceilings or floors.

**Important: Observe all governing codes and ordinances.**

It is recommended that you exhaust your dryer to the outside for best performance. Moisture and lint indoors may cause:

- Lint to gather around the dryer where it can be fuel for a fire.
- Moisture damage to woodwork, furniture, paint, wallpaper, carpet, etc.
- Housecleaning problems and health problems.

**Four-inch (10.2 cm) diameter vent is required for best performance.**

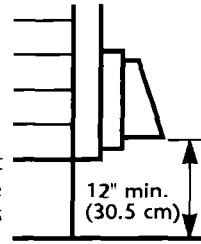
**Rigid or flexible metal exhaust vent must be used.** Do Not use plastic or foil-covered vent.

**Rigid metal vent is recommended** to prevent crushing and kinking.

**Flexible metal vent** must be fully extended and supported when the dryer is in its final position. Remove excess flexible vent to avoid sagging and kinking that may result in reduced air flow.

**An exhaust hood** should cap the exhaust vent to prevent exhausted air from returning to the dryer.

**Exhaust outlet hood** must be at least 12 inches (30.5 cm) from the ground or any object that may be in the path of the exhaust (such as flowers, rocks or bushes, etc.).



**If using an existing exhaust system,** clean lint from entire length of system and make sure exhaust hood is not plugged with lint. Replace any vinyl or metallized plastic foil vent with rigid metal or flexible metal vent.

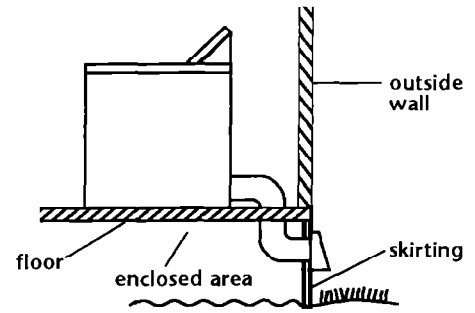
**Use duct tape** to seal all joints. Do Not use screws to secure vent.

**Service check:** Back pressure in any exhaust system used must not exceed 0.6 inches in water column measured with an incline manometer at the point that exhaust vent connects to dryer.

## Mobile home installation requirements

Four-wire power supply cord or cable must be used in a mobile home installation.

**The dryer must be exhausted outside.**



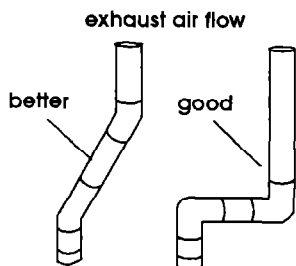
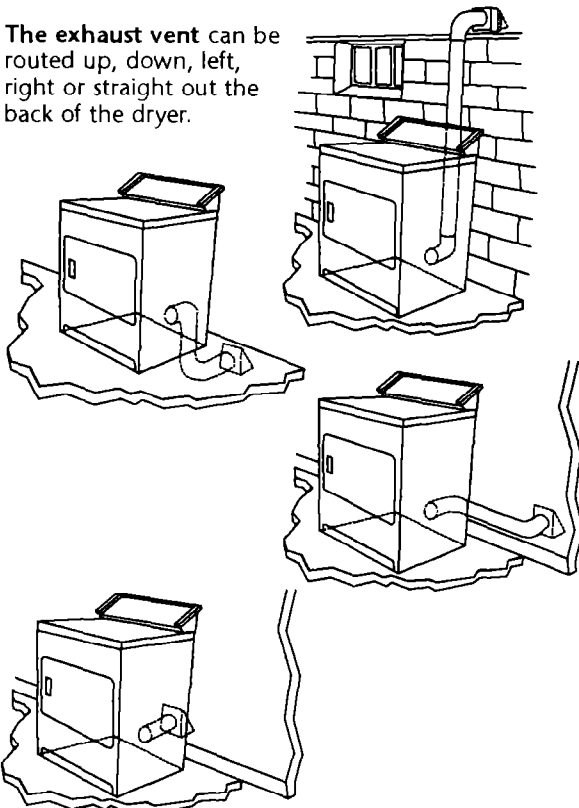
If dryer is exhausted through the floor and the area under the mobile home is enclosed, the exhaust system **must** terminate outside. Extension beyond the enclosure is recommended to prevent lint and moisture buildup under the mobile home.

## Plan the exhaust vent installation

### Route the vent

The exhaust outlet is located at the center of the rear of the dryer.

The exhaust vent can be routed up, down, left, right or straight out the back of the dryer.



Select the route that will provide the straightest and most direct path outdoors. Plan the installation to use the fewest number of elbows and turns. Avoid making 90° turns.

When using elbows or making turns, allow as much room as possible. Bend vent gradually to avoid kinking.

### Determine vent length

The maximum length of the exhaust system depends upon:

- the type of vent (rigid or flexible metal).
- the number of elbows used.

1. See the exhaust vent length chart that matches your type hood for the maximum vent lengths you can use.

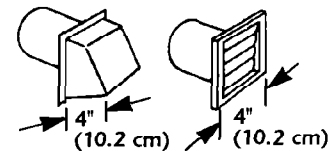
**Do not use vent runs longer than specified in exhaust vent length charts.**

Exhaust systems longer than specified will:

- Accumulate lint creating a potential fire hazard.
- Shorten the life of the dryer.
- Reduce performance, resulting in longer drying times and increased energy usage.

2. Determine the number of elbows you will need.
3. In the column listing the type of metal vent you are using (rigid or flexible), find the maximum length of metal vent on the same line as the number of elbows.

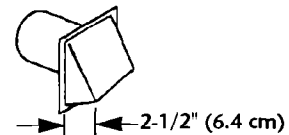
### Preferred —



### When you have a 4" (10.2 cm) hood ...

Number of 90° elbows	Maximum length of 4" (10.2 cm) diameter metal vent	
	Rigid	Flexible (fully extended)
0	64 ft. (19.5 m)	36 ft. (11.0 m)
1	54 ft. (16.5 m)	31 ft. (9.4 m)
2	44 ft. (13.4 m)	27 ft. (8.2 m)
3	35 ft. (10.7 m)	25 ft. (7.6 m)
4	27 ft. (8.2 m)	23 ft. (7.0 m)

### Acceptable —



### When you have a 2-1/2" (6.4 cm) hood ...

Number of 90° elbows	Maximum length of 4" (10.2 cm) diameter metal vent	
	Rigid	Flexible (fully extended)
0	58 ft. (17.7 m)	28 ft. (8.5 m)
1	48 ft. (14.6 m)	23 ft. (7.0 m)
2	38 ft. (11.6 m)	19 ft. (5.8 m)
3	29 ft. (8.8 m)	17 ft. (5.2 m)
4	21 ft. (6.4 m)	15 ft. (4.6 m)

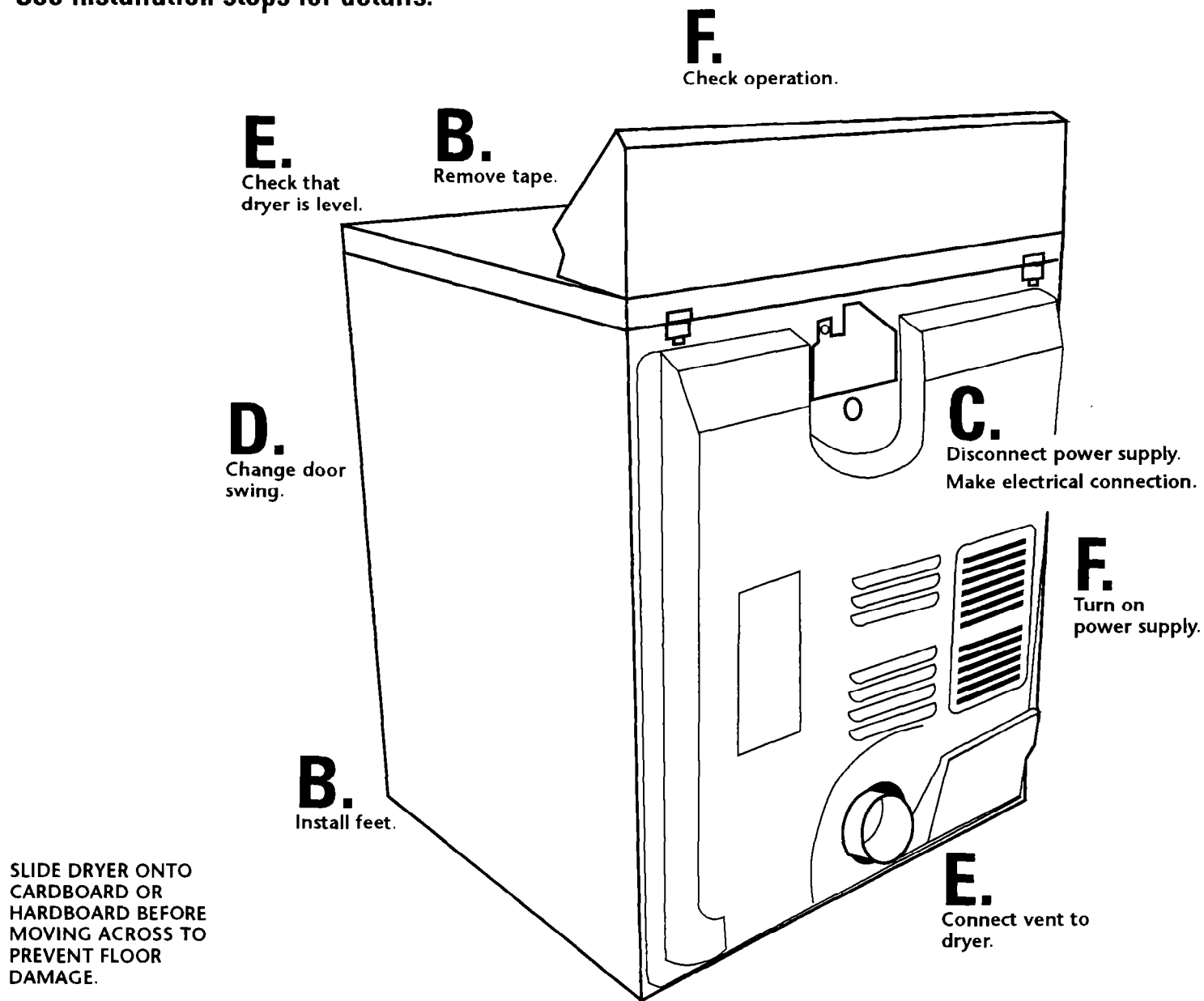
The maximum length using a 2" x 6" (5.1 cm x 15.2 cm) rectangular vent with 2 elbows and a 2-1/2" (6.4 cm) exhaust hood is 8 ft (244 cm).

For exhaust systems not covered by exhaust vent length charts check with your dealer or distributor for information.



# Now start installation (If installing washer and dryer, install dryer first.)

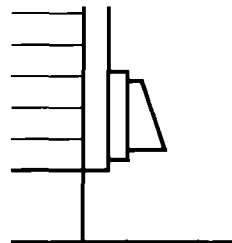
See installation steps for details.



## A. Install ventwork

**1.** Put on safety glasses and gloves.

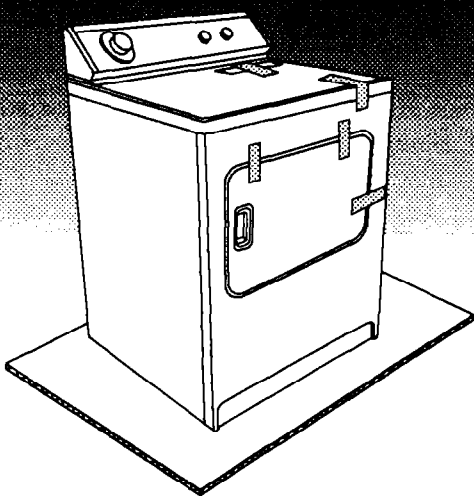
**2.** Install exhaust hood. Use caulking compound to seal exterior wall opening around exhaust hood.



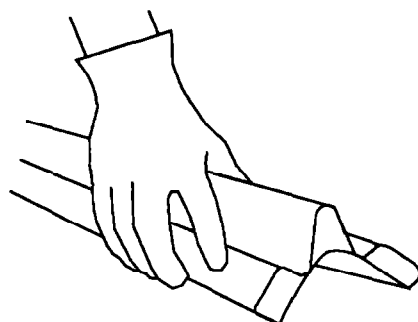
**3.** Connect exhaust vent to hood. (Exhaust vent MUST fit inside hood.) Secure vent to hood with vent tape.

**4.** Run exhaust vent to dryer location. Use the straightest path possible. Avoid 90° turns. Use vent tape to seal all joints.

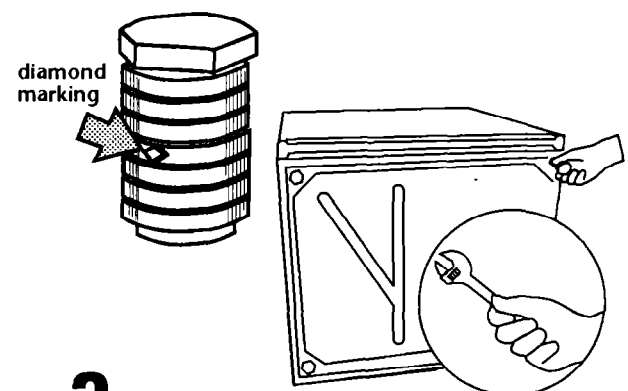
## B. Prepare dryer



**1.** Remove tape from dryer cabinet. Open dryer door and remove tape from dryer drum. (Not all dryer drums are taped.) Remove drying rack, if included. Turn dryer drum counterclockwise to make sure all tape was removed. Wipe drum with damp cloth to remove any dust.



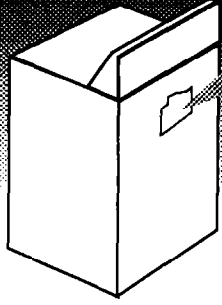
**2.** Take two cardboard corners from dryer carton and place them on floor in back of dryer. Firmly grasp body of dryer and gently lay it on its back on the cardboard corners.



**3.** Start to screw legs into holes by hand. Use an adjustable wrench or 1" hex-head socket wrench to finish turning legs until you reach the ridge with the diamond marking.

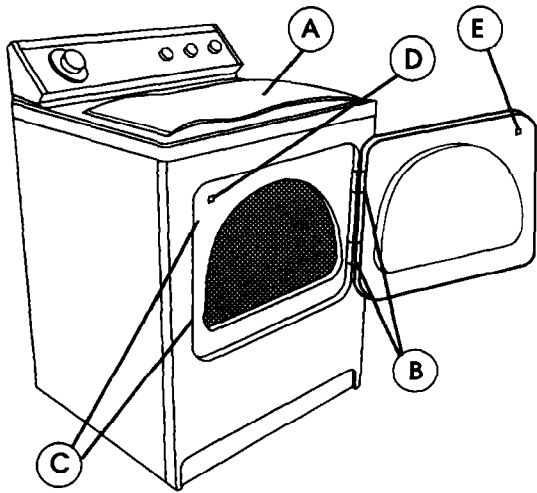
**4.** Stand dryer up on cardboard or hardboard.

## C. Electrical connection



IT IS RECOMMENDED THAT THE ELECTRICAL CONNECTION OF THIS APPLIANCE BE CARRIED OUT BY A LICENSED ELECTRICIAN AND CONFORM WITH THE LOCAL STANDARDS.

## D. Change door swing



If not reversing door swing, skip ahead to "Level and exhaust dryer" steps.

**Be careful not to scratch or chip paint.**

**1.** Place a large towel or soft cloth (A) on top of dryer.

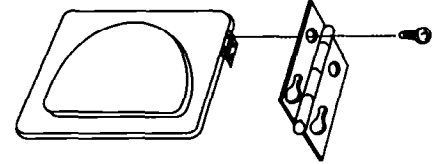
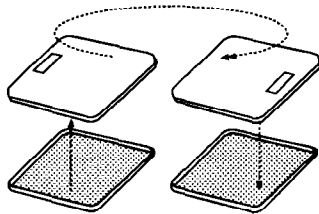
**2.** Open dryer door. Remove bottom screws from cabinet side of hinges (B). Loosen (do not remove) top screws from cabinet side of hinges.

**3.** Lift door until top screws in cabinet are in large part of hinge slot. Pull door forward off screws. Set door (handle side up) on top of dryer. Remove top screws from cabinet.

**4.** Remove screws attaching hinges to door.

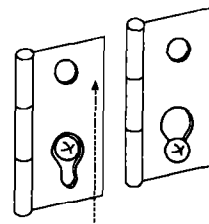
**5.** Remove screws at top, bottom and side of door. Holding door over towel on dryer, grasp sides of outer door and carefully lift to separate it from inner door. Do NOT pry apart with putty knife. Do NOT pull on door seal or plastic door catches.

**6.** Turn and reattach outer door panel to inner door panel so handle is on the side where hinges were just removed. Be careful to keep cardboard spacer centered between doors.



**7.** Attach door hinge to door so large part of hinge slot is at bottom of hinge.

**8.** Carefully remove 4 hinge hole plugs (C) on left side of cabinet. Insert plugs in hinge holes on right side of cabinet.



**9.** Insert screws in bottom holes on left side of cabinet. Tighten screws halfway. Position door so large end of door hinge slot is over screws. Slide door up so screws are in bottom of slots. Tighten screws. Insert and tighten top screws in hinges.

**10.** Remove door strike (D) from cabinet. Remove door strike plug. Insert door strike in new hole and secure with screw. Insert door strike plug in original door strike hole and secure with screw.

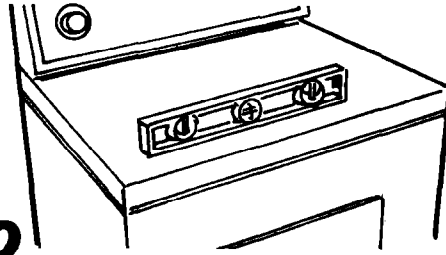
**11.** Close door and check that door strike aligns with door catch (E). If door does not close completely, slide door catch left or right within slot until strike snaps into catch.

## E. Level & exhaust the dryer

Dryer must be level to reduce noise and assure proper performance.

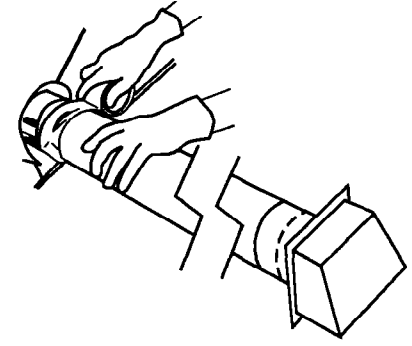
Slide dryer onto cardboard or hardboard before moving across floor to prevent floor damage.

- 1.** Move dryer close to its permanent location. Leave enough room to connect exhaust vent. Remove cardboard or hardboard from under dryer.



- 2.** Check levelness of dryer by placing a level on top of dryer, first side to side, then front to back. If dryer is not level, adjust dryer legs up or down.

- 3.** If legs are not long enough to level dryer, order Extended Dryer Feet Kit, Part No. 279810 (sold two legs per kit), from your dealer.

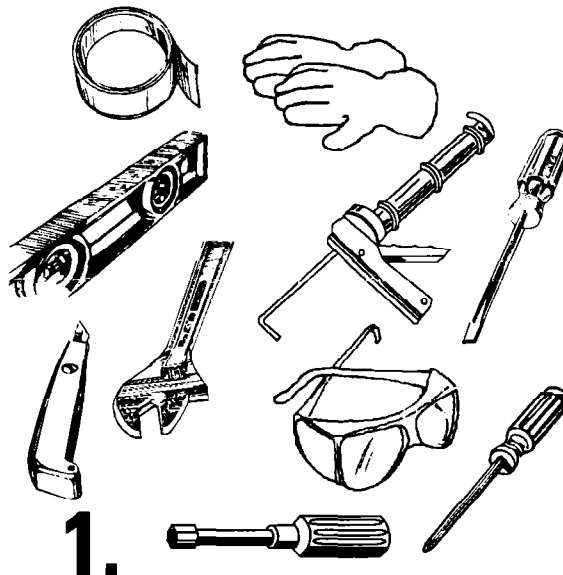


- 4.** Connect exhaust vent to exhaust outlet in dryer. The exhaust vent **must** fit over the dryer exhaust outlet and inside the exhaust hood vent.

Use duct tape to seal **all** joints and to secure exhaust vent to dryer exhaust outlet.

- 5.** Move dryer into final position.

## F. Check operation



**1.**

Check that you:

- ✓ did not skip any steps.
- ✓ installed all parts.
- ✓ properly installed dryer legs.
- ✓ leveled dryer.
- ✓ have all the tools you started with.

**2.**

Plug power supply cord into grounded outlet or connect direct wire to power supply. Turn power supply on.

**3.**

Read the Use and Care Guide to fully understand your new dryer. Select a full heat cycle (not the air cycle) and start dryer. After five minutes, open dryer door. You should feel heat inside dryer.

If dryer does not operate properly, check the following:

- ✓ electrical supply is connected.
- ✓ house fuse is intact and tight; or circuit breaker has not tripped.
- ✓ dryer door is closed.
- ✓ controls are set in a running or "On" position.
- ✓ start button has been pushed firmly.

If dryer makes an unusual noise, check that the dryer is level.