

GAS COOKTOP INSTALLATION INSTRUCTIONS

**INSTALLATION AND SERVICE MUST BE PERFORMED BY A QUALIFIED INSTALLER.
 IMPORTANT: SAVE FOR LOCAL ELECTRICAL INSPECTOR'S USE.
 READ AND SAVE THESE INSTRUCTIONS FOR FUTURE REFERENCE.**



! WARNING If the information in this manual is not followed exactly, a fire or explosion may result causing property damage, personal injury or death.

FOR YOUR SAFETY:

- DO NOT store or use gasoline or other flammable vapors and liquids in the vicinity of this or any other appliance.
- WHAT TO DO IF YOU SMELL GAS:
 - DO NOT try to light any appliance.
 - DO NOT touch any electrical switch; DO NOT use any phone in your building.
 - Immediately call your gas supplier from a neighbor's phone. Follow the gas supplier's instructions.
 - If you cannot reach your gas supplier, call the fire department.
- Installation and service must be performed by a qualified installer, service agency or the gas supplier.

Appliances Installed in the state of Massachusetts:

This Appliance can only be installed in the state of Massachusetts by a Massachusetts licensed plumber or gas fitter. This appliance must be installed with a three (3) foot / 36 in. long flexible gas connector. A "T" handle type manual gas valve must be installed in the gas supply line to this appliance.

PRODUCT DIMENSIONS

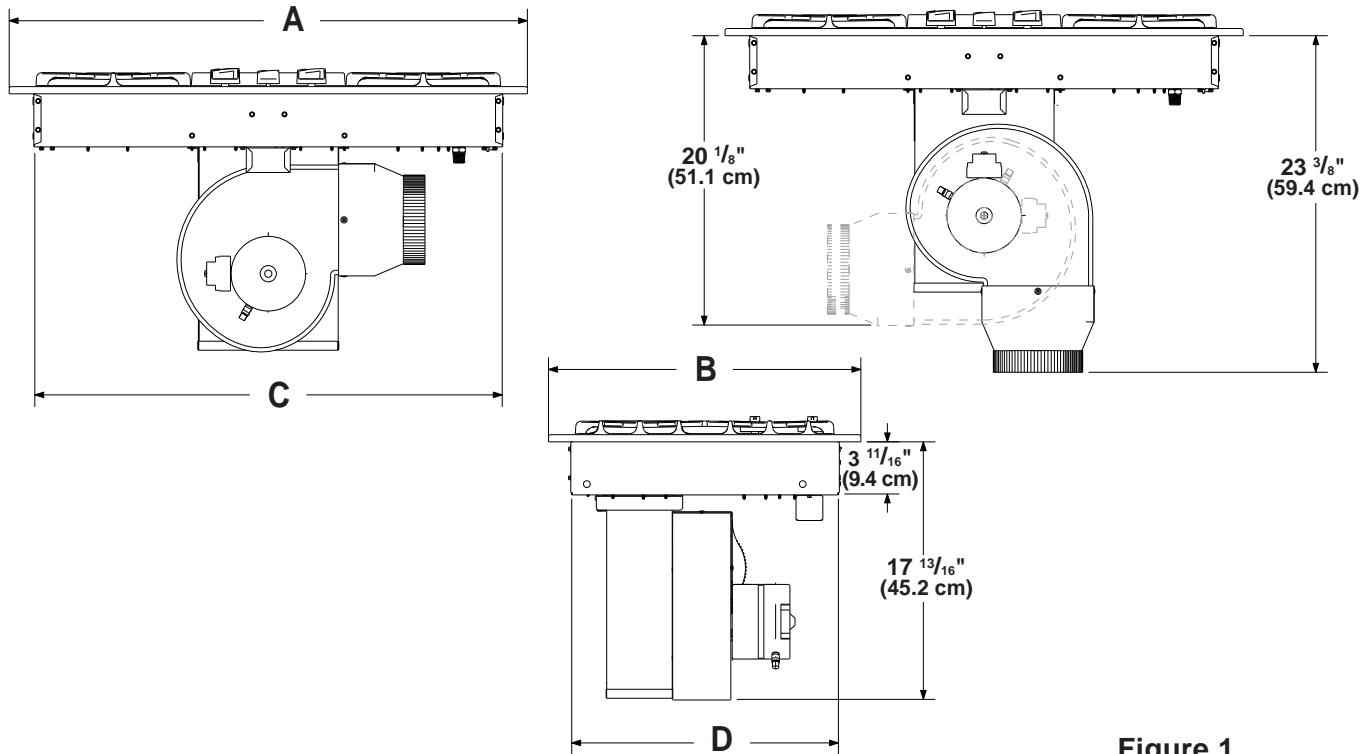


Figure 1

PRODUCT DIMENSIONS

MODEL	A. COOKTOP WIDTH	B. COOKTOP DEPTH	C. CHASSIS WIDTH	D. CHASSIS DEPTH
30" Gas Cooktop	30" (76.2 cm)	21 13/32" (54.4 cm)	26 13/16" (68.1 cm)	18 15/16" (48.1 cm)
36" Gas Cooktop	36" (91.4 cm)	21 23/32" (55.1 cm)	32 11/16" (83.0 cm)	18 15/16" (48.1 cm)

All dimensions are stated in inches and (cm).

GAS COOKTOP INSTALLATION INSTRUCTIONS

Important Notes to the Installer

1. Read all instructions contained in these installation instructions before installing the cooktop.
2. Remove all packing material before connecting the electrical supply to the cooktop.
3. Observe all governing codes and ordinances.
4. Be sure to leave these instructions with the consumer.
5. Note: For operation at 2000 ft. elevations above sea level, appliance rating shall be reduced by 4 percent for each additional 1000 ft.

Important Note to the Consumer

Keep these instructions with your Use and Care Guide for future reference.

IMPORTANT SAFETY INSTRUCTIONS

Installation of this cooktop must conform with local codes or, in the absence of local codes, with the National Fuel Gas Code ANSI Z223.1/NFPA 54 in the United States, or in Canada, with the Canadian Fuel Gas Code, CAN/CGA B149 and CAN/CGA B149.2.

- When installed in a manufactured (mobile) home installation must conform with the Manufactured Home Construction and Safety Standard, title 24 CFR, part 3280 [Formerly the Federal Standard for Mobile Home Construction and Safety, title 24, HUD (part 280)] or, when such standard is not applicable, the Standard for Manufactured Home Installation, ANSI/NCSBCS A225.1 or with local codes where applicable.

This cooktop has been design certified by Underwriters Laboratories (UL). As with any appliance using gas and generating heat, there are certain safety precautions you should follow. You will find them in the Use and Care Guide, read it carefully.

- **Be sure your cooktop is installed and grounded properly by a qualified installer or service technician.**
- **This cooktop must be electrically grounded in accordance with local codes or, in their absence, with the National Electrical Code ANSI/NFPA No. 70—latest edition in the United States, or in Canada, with the Canadian Electrical Code, CSA C22.1 Part 1.**
- **The burners can be lit manually during an electrical power outage. To light a burner, hold a lit match to the burner head, then slowly turn the Surface Control knob to LITE. Use caution when lighting burners manually.**

⚠ CAUTION DO NOT store items of interest to children in cabinets above the cooktop. Children could be seriously burned climbing on the cooktop to reach items.

- **To eliminate the need to reach over the surface burners, cabinet storage space above the burners should be avoided.**
- **Adjust surface burner flame size so it does not extend beyond the edge of the cooking utensil.** Excessive flame is hazardous.

⚠ WARNING Never use your cooktop for warming or heating the room. Prolonged use of the cooktop without adequate ventilation can be hazardous.

⚠ WARNING **Storage on Appliance.** Flammable materials should not be stored near surface units. This includes paper, plastic and cloth items, such as cookbooks, plasticware and towels, as well as flammable liquids. **DO NOT** store explosives, such as aerosol cans, on or near the appliance. Flammable materials may explode and result in fire or property damage.

⚠ WARNING The electrical power to the cooktop must be shut off while gas line connections are being made. Failure to do so could result in serious injury or death.

GAS COOKTOP INSTALLATION INSTRUCTIONS

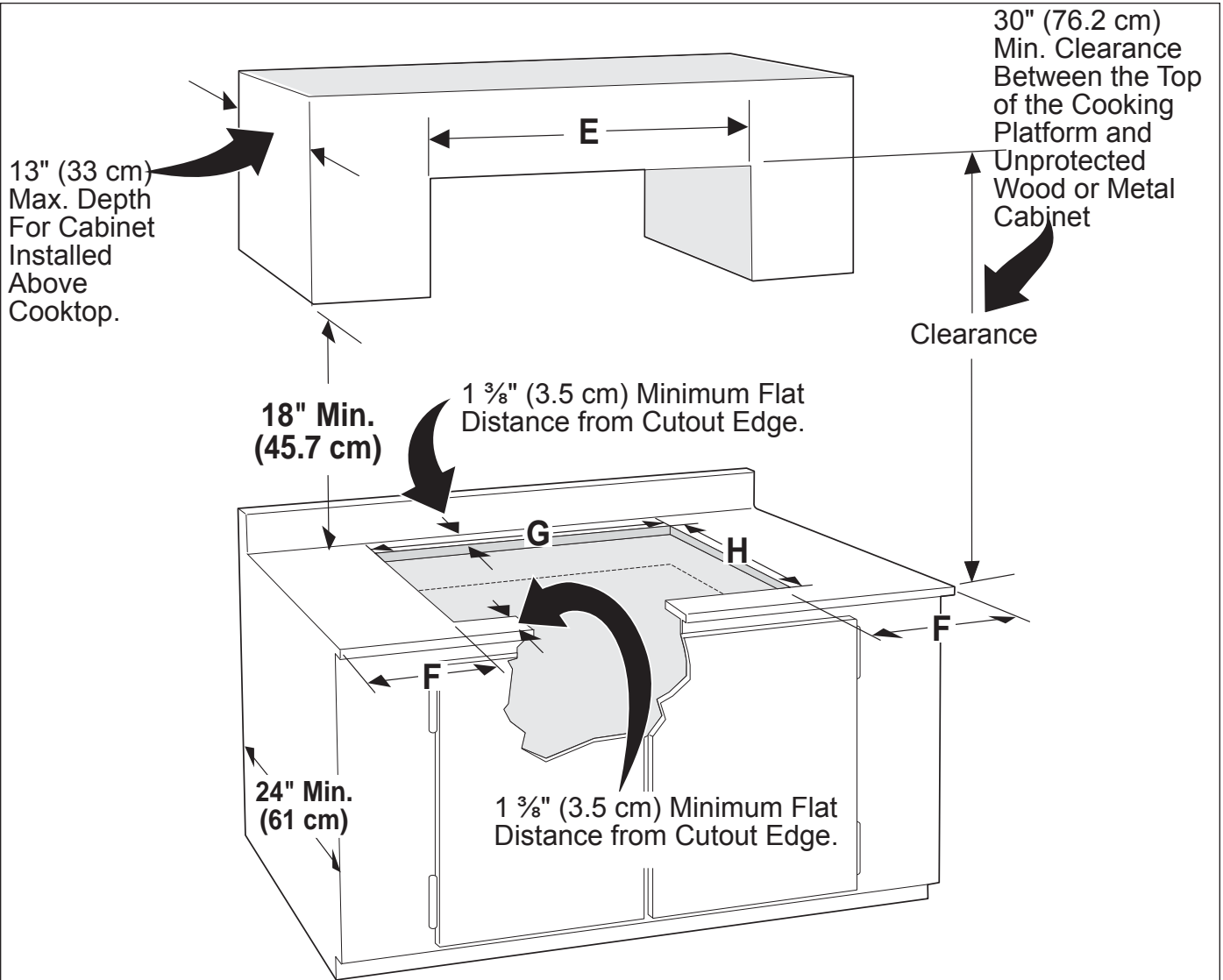


Figure 2 – CABINET DESIGN

MODEL	E. Top Cabinet Minimum Side Clearance	F. Minimum Clearance from Each Side	G. Cutout Width ± 1/16" (0.2 cm)	H. Cutout Depth ± 1/16" (0.2 cm)
30" Cooktop	30" (76.2 cm)	9" (22.9 cm)	28" (71.1 cm)	19 1/8" (48.6 cm)
36" Cooktop	36" (91.4 cm)	9" (22.9 cm)	34" (86.4 cm)	19 1/8" (48.6 cm)

⚠ CAUTION To eliminate the risk of burns or fire from reaching over heated surfaces, cabinet storage space located above the cooktop should be avoided.

* For installations involving replacing an existing cooktop, the cutout depth (H) in the countertop may be larger than the above recommendation. A Gap Filler Trim Kit is available which will then allow for a maximum cutout depth (H) of 21 3/16".

The Gap Filler Trim Kit part number is 5304488403.



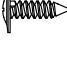
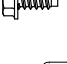
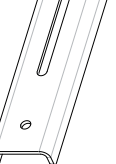
Before beginning installation, refer to the instructions included with Gap Filler Trim Kit 5304488403 for countertop dimensions, cutout limitations, and proper location of ductwork.

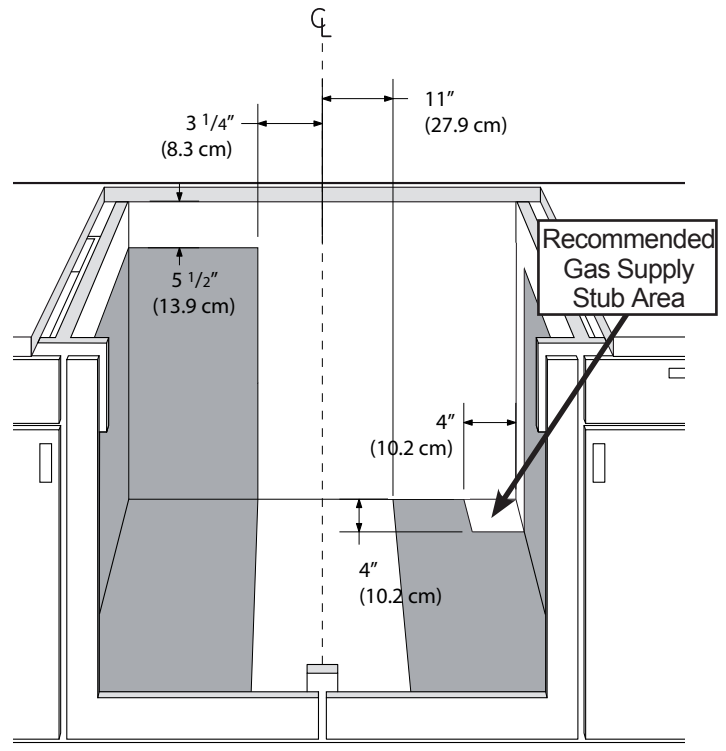
GAS COOKTOP INSTALLATION INSTRUCTIONS

Required Tools for Installation

- Phillips Screwdriver
- 1/4" Nut driver / Ratchet
- 7/16" Nut driver / Ratchet

Supplied Hardware

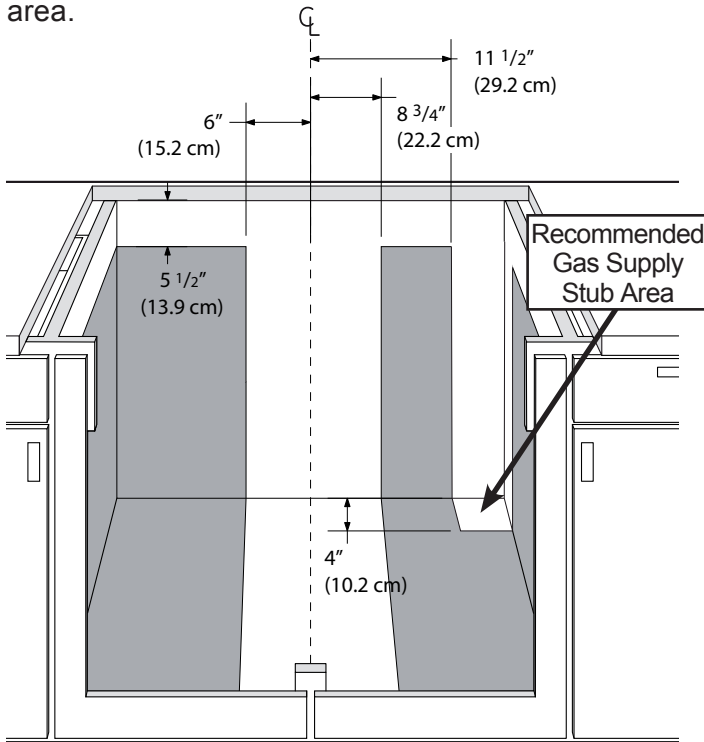
Qty.	Description	Used for
(4)	 1/4-20 Nylon Insert 7/16" Hex Nut	Blower (fig. 20)
(2)	 #10-24 3.5" Long Phillips Screw	Brackets (fig. 15 & 16)
(4)	 #8-18 Wide Head Phillips Screw	Transition Duct (fig. 18)
(6)	 #8-18 Black 1/4" Hex Head Screw	Plenum and Wire Box (fig. 17 & 21)
(2)	 Hold Down Bracket	Countertop (fig. 15 & 16)



**Figure 3B - 30" MODEL
ELECTRICAL OUTLET INSTALL DIMENSIONS**

1 Wall Outlet Location

Install the electric wall outlet within the shaded area.



**Figure 3A - 36" MODEL
ELECTRICAL OUTLET INSTALL DIMENSIONS**

2 Provide an Adequate Gas Supply

This cooktop is designed to operate on natural gas at 4" of manifold pressure only.

WARNING A pressure regulator must be connected in series with the manifold on the cooktop and must remain in series with the supply line.

For proper operation, the maximum inlet pressure to the regulator must be no more than 14" of water column (W.C.) pressure.

For checking the regulator, the inlet pressure must be at least 1" (or 2.5 kPa) greater than the regulator manifold pressure setting. The regulator is set for 4" of manifold pressure, the inlet pressure must be at least 5".

The gas supply line to the range should be 1/2" or 3/4" pipe.

GAS COOKTOP INSTALLATION INSTRUCTIONS

3 LP/Propane Gas Conversion

This appliance can be used with Natural gas or LP/Propane gas. It is shipped from the factory for use with natural gas.

A kit for converting to LP gas is supplied with your cooktop. The kit is marked "FOR LP/PROPANE GAS CONVERSION".

The conversion must be performed by a qualified service technician in accordance with the kit instructions and all local codes and requirements. Failure to follow instructions could result in serious injury or property damage. The qualified agency performing this work assumes responsibility for the conversion.

⚠ WARNING Failure to make the appropriate conversion can result in serious personal injury and property damage.

NOTE: Purchase a new flexible line. **DO NOT USE AN OLD PREVIOUSLY USED LINE.**

Important: Remove all packing material and literature from cooktop before connecting gas and electrical supply to cooktop.

4 Model and Serial Number Location

The serial plate is located on the underside of the cooktop.

When ordering parts for or making inquiries about your cooktop, always be sure to include the model and serial numbers and a lot number or letter from the serial plate of your cooktop.

Your serial plate also tells you the rating of the burners, the type of fuel and the pressure the cooktop was adjusted for when it left the factory.

5 Electrical Requirements

⚠ WARNING 120 volt, 60 Hertz, properly grounded branch circuit protected by a 15 amp circuit breaker or time delay fuse. **DO NOT use an extension cord with this cooktop.**

Grounding Instructions

IMPORTANT Please read carefully.

⚠ WARNING For personal safety, this appliance must be properly grounded.

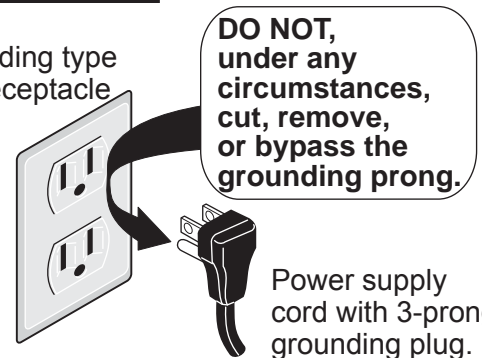
The power cord of this appliance is equipped with a 3-prong (grounding) plug which mates with a standard 3-prong grounding wall receptacle (see Figure 4) to minimize the possibility of electric shock hazard from the appliance.

The wall receptacle and circuit should be checked by a qualified electrician to make sure the receptacle is properly grounded.

Where a standard 2-prong wall receptacle is installed, it is the personal responsibility and obligation of the consumer to have it replaced by a properly grounded 3-prong wall receptacle.

Preferred Method

Grounding type wall receptacle



Power supply cord with 3-prong grounding plug.

Figure 4

DO NOT, under any circumstances, cut or remove the third (ground) prong from the power cord.

⚠ WARNING Disconnect electrical supply cord from wall receptacle before servicing cooktop.

6 Positioning the Cooktop

The exhaust vent from the cooktop must be located between wall studs or floor joists so that the ductwork may be installed properly

7 Prepare Base Cabinet

This cooktop is designed to fit easily into a variety of cabinets. However, some cabinets may require modifications.

7.1 Preparing a Cabinet with Drawers

If the cabinet has drawers, the drawers must be removed and the drawer fronts attached to the front of the cabinet.

Verify internal length and width of base cabinet. In some cabinets, the sides or back wall may need to be cut out, and the corner braces removed in order to accommodate the unit.

7.2 Countertop Cutout

Countertops with a rolled front edge and radius at the base of the backsplash may not provide the flat surface area required to accommodate the cooktop.

Cut countertop opening according to the dimensions shown in Figure 2. The opening must be cut squarely with sides parallel to each other, front and rear perpendicular to the sides.

GAS COOKTOP INSTALLATION INSTRUCTIONS

8 Installing the Ductwork

Use galvanized or aluminum duct in 6" round or 3 $\frac{1}{4}$ " x 10" size, or a combination of both. PVC duct should be used if installing under a poured concrete slab. Use the shortest and straightest duct run possible. For satisfactory performance, the duct run should not exceed 100 feet equivalent length. Refer to the "Calculating Duct Length" chart for equivalent lengths. (see page 14). All duct joints should be fastened with a screw and sealed with tape as shown in Figure 5. NOTE: Local building code must be followed in specifying approved type and schedule of ALL duct used. Always use an appropriate roof or wall cap with damper.

Duct Tape
Over Seam
and Screw

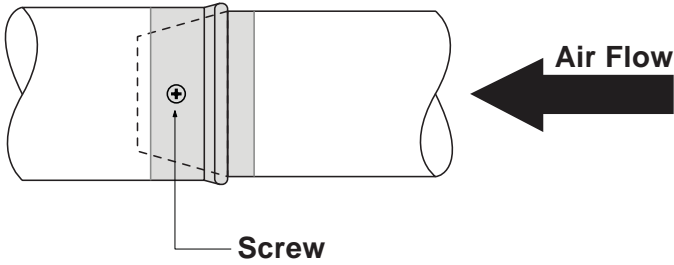


Figure 5 – DUCT TAPE OVER SEAM AND SCREW

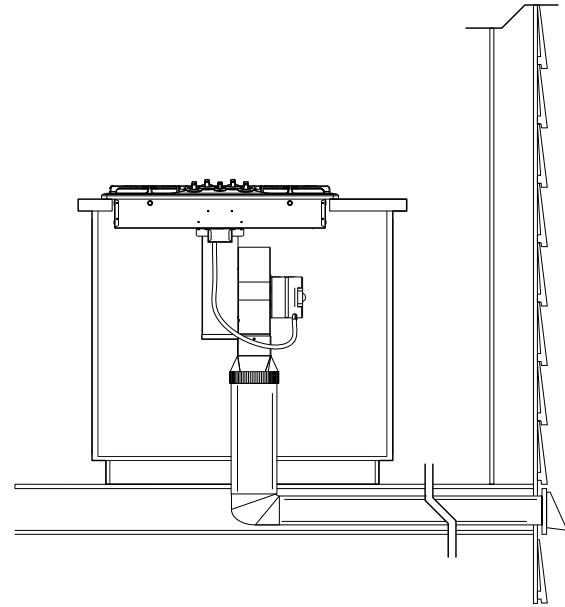


Figure 7 – DUCT THROUGH-THE-FLOOR

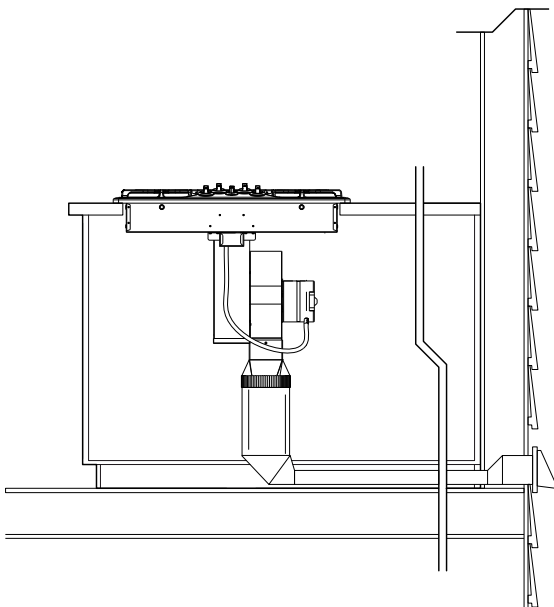


Figure 6 – DUCT ON-THE-FLOOR

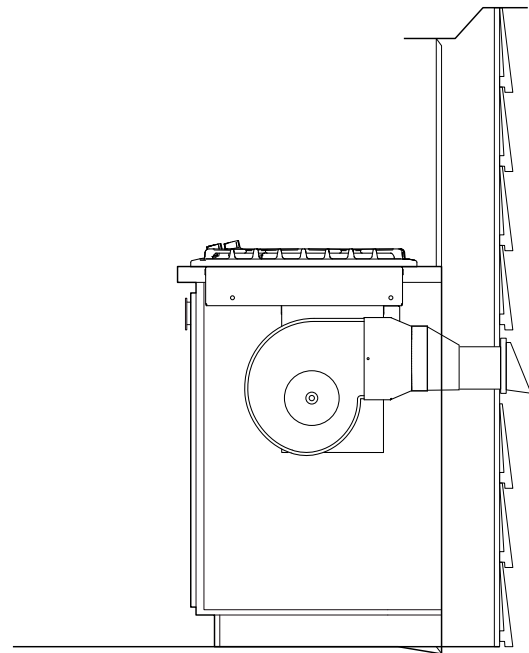


Figure 8 – DUCT THROUGH-THE-WALL

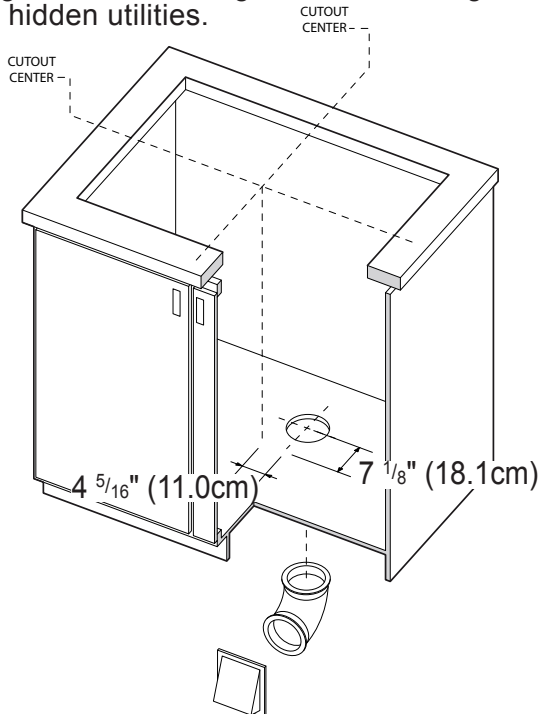
GAS COOKTOP INSTALLATION INSTRUCTIONS

9 Preparing for Ductwork

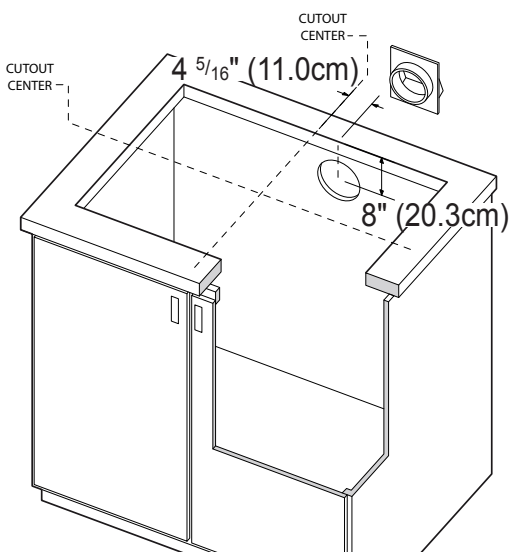
Cut hole in cabinet wall or floor as appropriate for your installation. Make sure exhaust duct is located between wall studs or floor joists. Figure 9, 10, 11 & 12.

NOTE: Ductwork MUST be vented to outside. **DO NOT** vent into a wall, ceiling, crawlspace, attic or any concealed space.

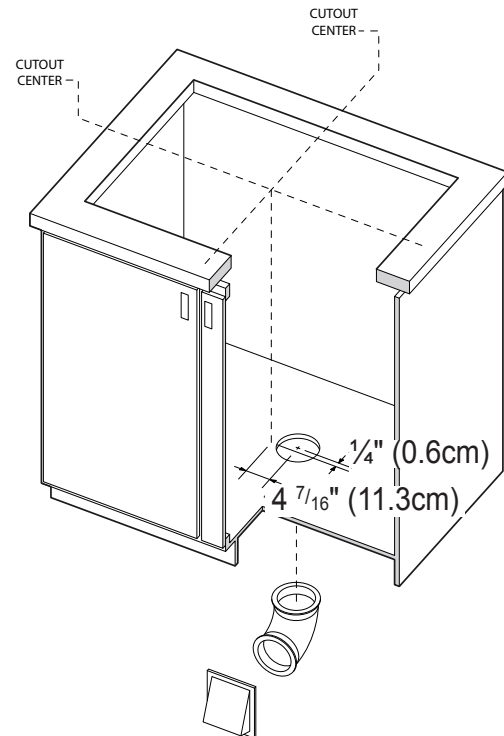
⚠ WARNING When cutting or drilling into wall or ceiling, **DO NOT** damage electrical wiring and other hidden utilities.



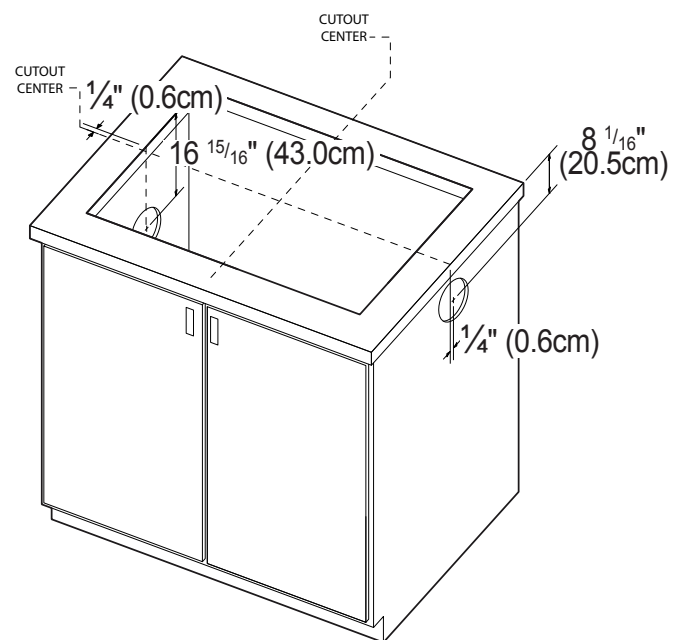
**Figure 9 – 30" MODEL
BOTTOM DUCTWORK HOLE**



**Figure 10 – 30" MODEL
BACK WALL DUCTWORK HOLE**



**Figure 11 – 36" MODEL
BOTTOM DUCTWORK HOLE**

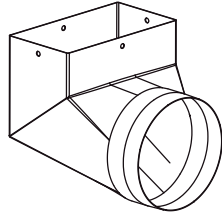


**Figure 12 – 36" MODEL
LEFT OR RIGHT DUCTWORK HOLE**

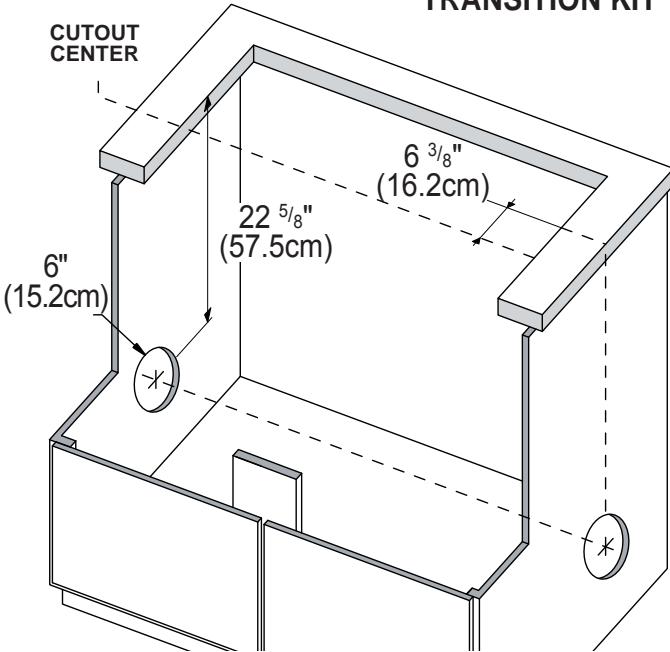
GAS COOKTOP INSTALLATION INSTRUCTIONS

9.1 Alternate Ducting

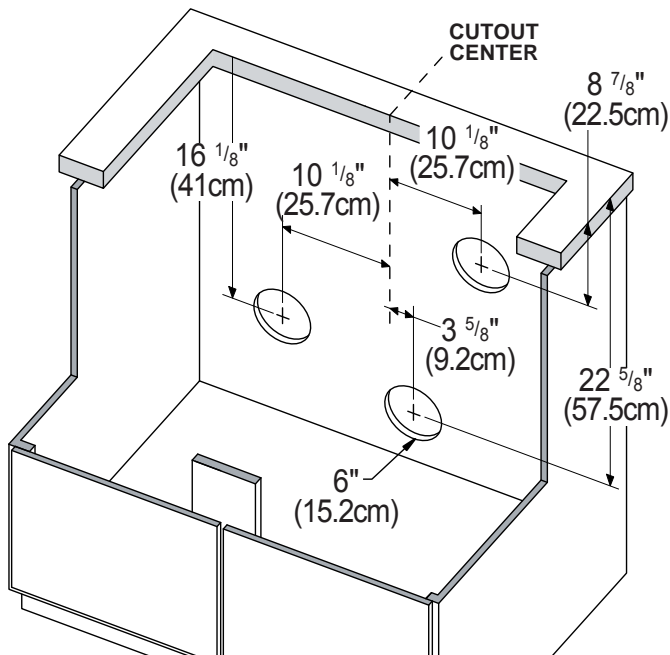
For installations involving space restrictions for orienting the blower to connect to the ductwork a duct adapter, Kit 5304488297 is available. Dimensions are shown for locating the duct cutout with this adapter kit.



**Figure 13
ALTERNATE DUCT
TRANSITION KIT**



**Figure 13A - 30" MODEL
ALTERNATE DUCTWORK HOLE**



**Figure 13B - 36" MODEL
ALTERNATE DUCTWORK HOLE**

9.2 Makeup Air

Local building codes may require the use of makeup air systems. Consult local codes to determine specific makeup air requirements for your installation.

10 Blower to Ductwork Alignment

The use of flexible ducting is discouraged because it can severely restrict airflow. If the blower outlet and the floor or wall duct location **DO NOT** align, then flexible METAL ducting can be used to adapt to an offset.

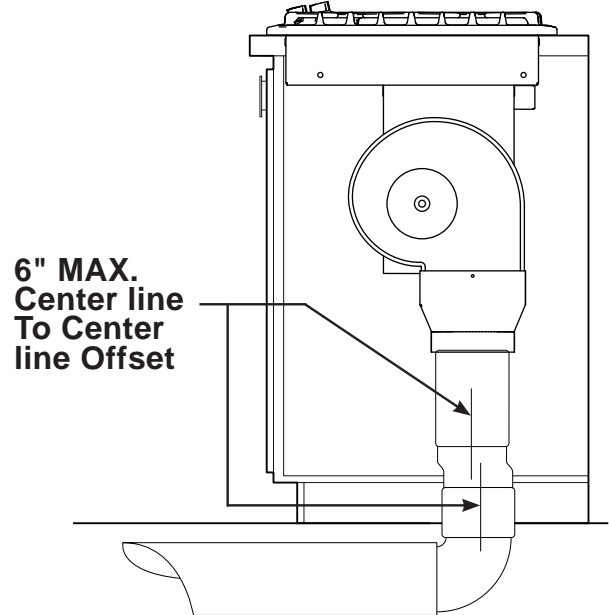


Figure 14 – DUCTWORK ALIGNMENT

GAS COOKTOP INSTALLATION INSTRUCTIONS

11 Installing the Cooktop

Lift the cooktop by the side edges as shown. Lower the cooktop into the countertop opening, guiding it into position. Support the underside and lower slowly. Carefully remove your fingers one corner at a time to lower the cooktop into position.

NOTE: DO NOT use Silicone RTV or caulk to seal the cooktop to the countertop.

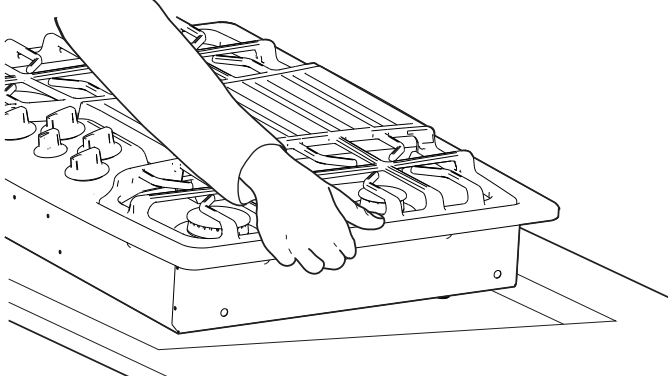


Figure 15 – LOWERING COOKTOP INTO CUTOUT

12 Installing the installation brackets

Remove screws from the cooktop chassis and use to attach the hold down bracket to the bottom of the chassis. Insert the screw into the bracket until it contacts the backside of the countertop. To prevent damage to the countertop, **DO NOT** overtighten the screw.

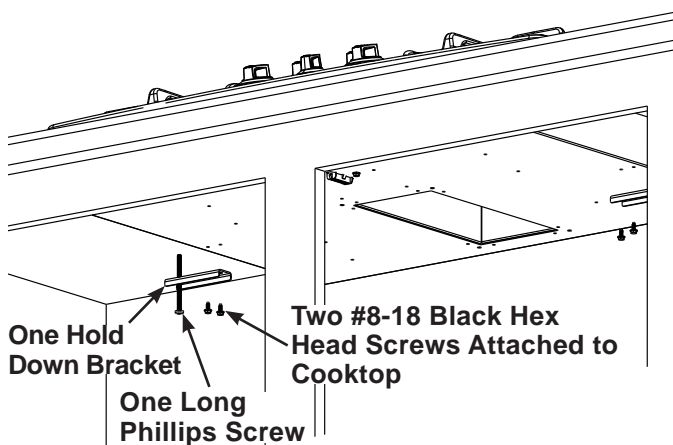


Figure 16 – ATTACH THE TWO BRACKETS

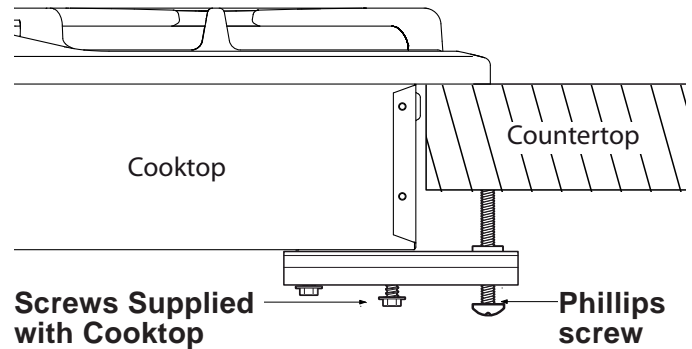


Figure 17 – INSTALLATION BRACKETS

13 Installing the blower plenum to the cooktop

With the blower opening on the right slide the plenum into the opening in the bottom of the cooktop. Push up on the plenum until the mounting rails on the sides of the plenum contact the bottom of the cooktop. Install four #8-18 x 3/8" sheet metal screws to hold the plenum in place.

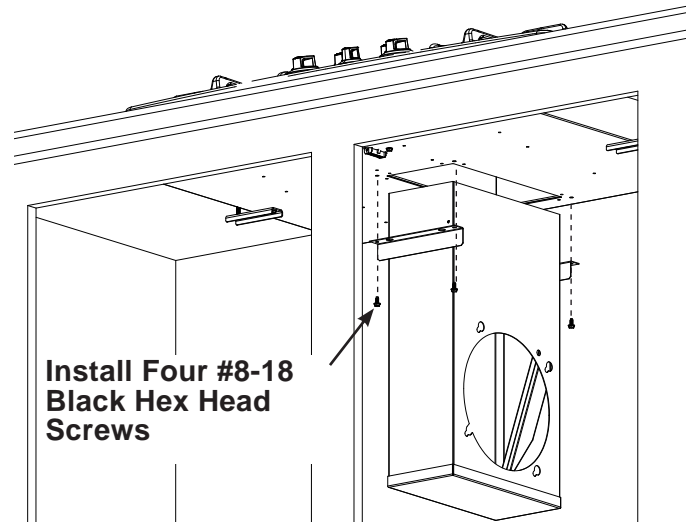
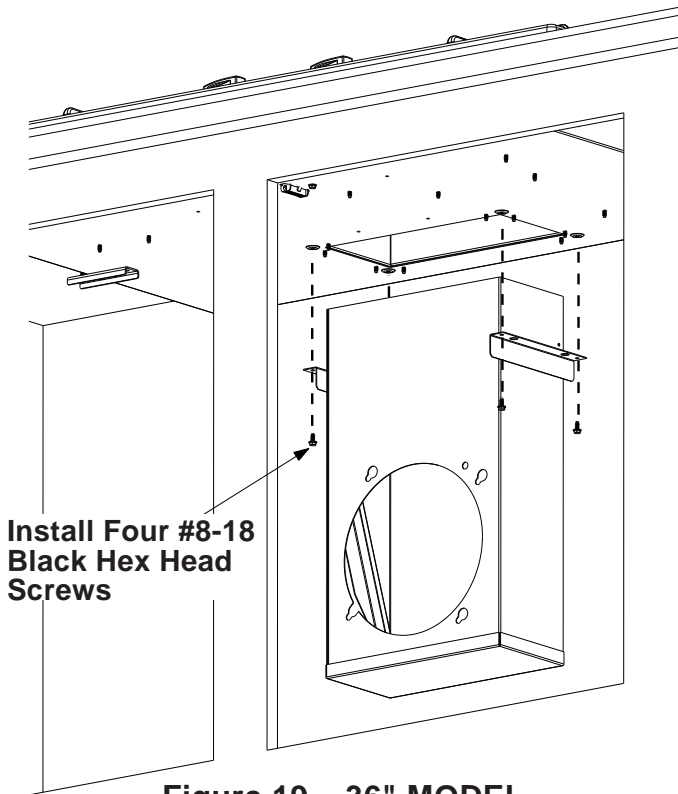


Figure 18 – 30" MODEL
ATTACH PLENUM TO THE COOKTOP

GAS COOKTOP INSTALLATION INSTRUCTIONS

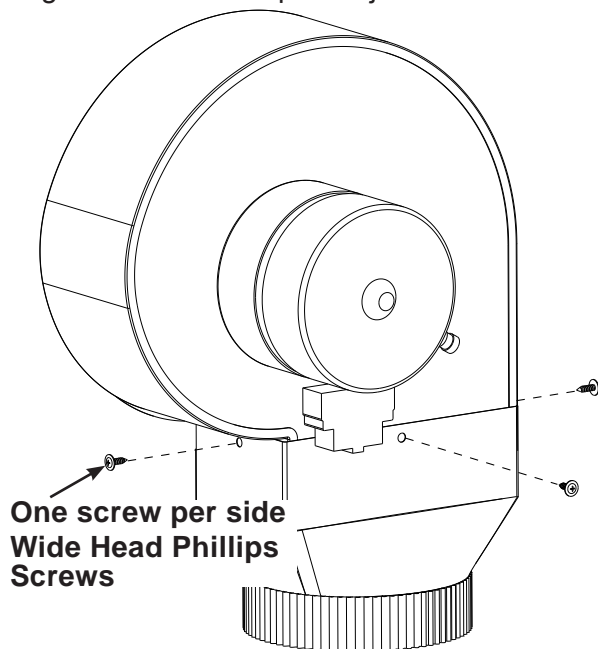


Install Four #8-18
Black Hex Head
Screws

**Figure 19 – 36" MODEL
ATTACH PLENUM TO THE COOKTOP**

14 Installing the transition to the blower

Attach the transition to the outlet of the blower using four screws. Tape the joint to seal.



One screw per side
Wide Head Phillips
Screws

**Figure 20 – ATTACH TRANSITION TO THE
BLOWER**

15 Installing the blower to the plenum

Install four nylon insert nuts to the studs on the blower, finger tighten until resistance is felt. Position the blower discharge opening to match the ductwork. Slide the nuts on the side of the blower housing into the four keyhole openings on the side of the plenum and allow to slide down into the slots. Using a wrench or ratchet from the inside of the plenum tighten the nuts.

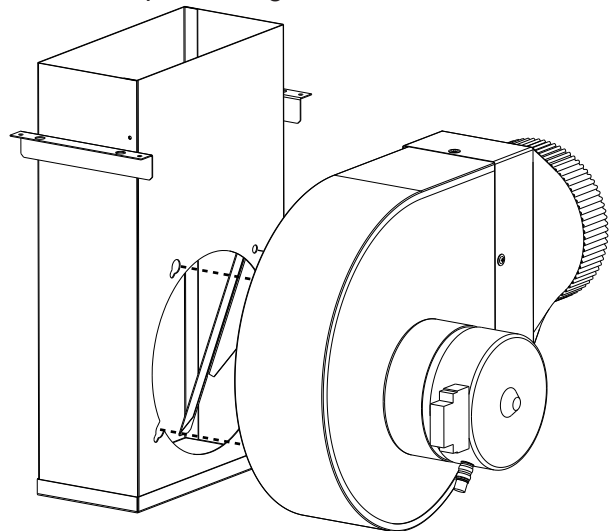
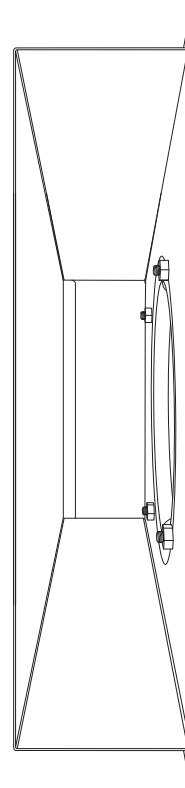


Figure 21 – ATTACH BLOWER TO THE PLENUM



**Figure 22 – NUT LOCATIONS INSIDE THE
PLENUM**

GAS COOKTOP INSTALLATION INSTRUCTIONS

16 Blower electrical connection

Connect the 5-pin plug on the blower assembly to the matching 5-pin receptacle on the bottom of the cooktop.

Fold all wires into the wire box on the end of the blower conduit. Fasten the wire box to the cooktop with two #8 x 3/8" making sure that no wires are trapped.

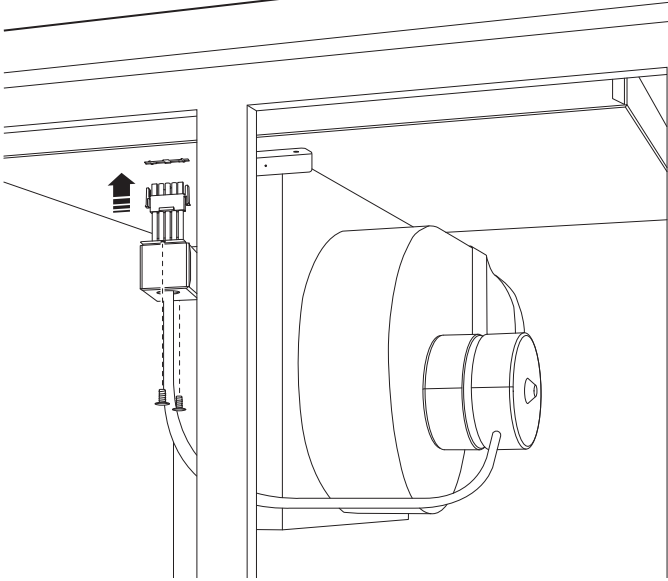


Figure 23 – CONNECT BLOWER TO COOKTOP

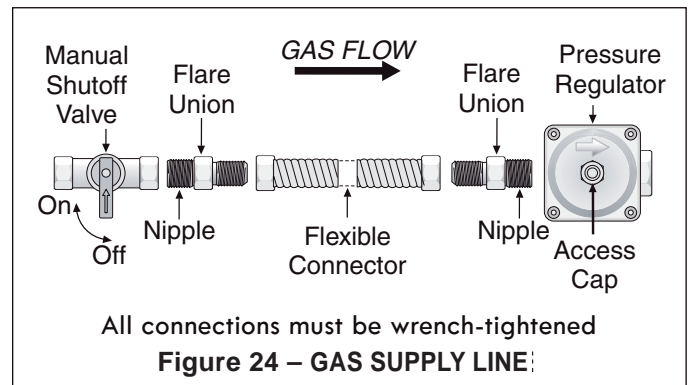
17 Connecting the Ductwork

Connect the ductwork prepared in Steps 8, 9 and 10 to the blower transition duct.

18 Install Pressure Regulator

Install the pressure regulator with the arrow on the regulator pointing up toward the unit in a position where you can reach the access cap.

⚠ WARNING DO NOT make the connection too tight. The regulator is die cast. Overtightening may crack the regulator resulting in a gas leak and possible fire or explosion.



Assemble the flexible connector from the gas supply pipe to the pressure regulator in the following order:

1. manual shutoff valve
2. 1/2" (1.3 cm) nipple
3. 1/2" (1.3 cm) flare union adapter
4. flexible connector
5. 1/2" (1.3 cm) flare union adapter
6. 1/2" (1.3 cm) nipple
7. pressure regulator

Use pipe-joint compound made for use with Natural and LP/Propane gas to seal all gas connections. If flexible connectors are used, be certain connectors are not kinked.

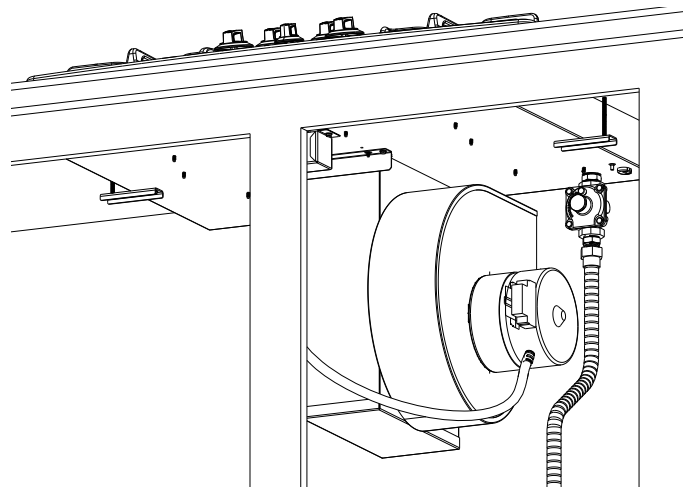
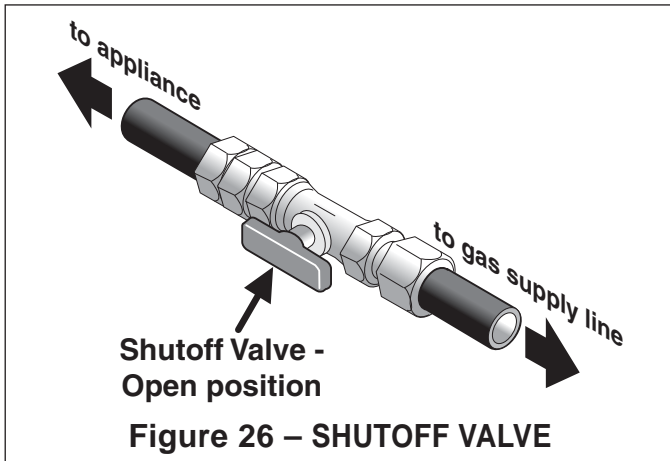


Figure 25 – PHYSICAL ATTACHMENT OF THE GAS LINE TO THE COOKTOP

GAS COOKTOP INSTALLATION INSTRUCTIONS

⚠ WARNING The supply line must be equipped with an approved manual shutoff valve. This valve should be located in the same room as the cooktop and should be in a location that allows ease of opening and closing. **DO NOT** block access to the shutoff valve. The valve is for turning on or shutting off gas to the appliance.



Once regulator is in place, open the shutoff valve in the gas supply line. Wait a few minutes for gas to move through the gas line.

18.1 Check for leaks. After connecting the cooktop to the gas supply, check the system for leaks with a manometer. If a manometer is not available, turn on the gas supply and use a liquid leak detector (or soap and water) at all joints and connections to check for leaks.

⚠ WARNING **DO NOT** use a flame to check for leaks from gas connections. Checking for leaks with a flame may result in a fire or explosion.

18.2 Tighten all connections if necessary to prevent gas leakage in the cooktop or supply line.

18.3 Disconnect this cooktop and its individual manual shutoff valve from the gas supply piping system during any pressure testing of that system at test pressures greater than 1/2 psig (3.5 kPa or 14" water column).

18.4 Isolate the cooktop from the gas supply piping system by closing its individual manual shutoff valve during any pressure testing of the gas supply piping system at test pressures equal to or less than 1/2 psig (3.5 kPa or 14" water column).

19 Electrical Requirements

120 volt, 60 Hertz, properly grounded branch circuit protected by a 15 amp circuit breaker or time delay fuse. **DO NOT use an extension cord with this cooktop.**

19.1 Grounding Instructions

IMPORTANT Please read carefully.

For personal safety, this appliance must be properly grounded.

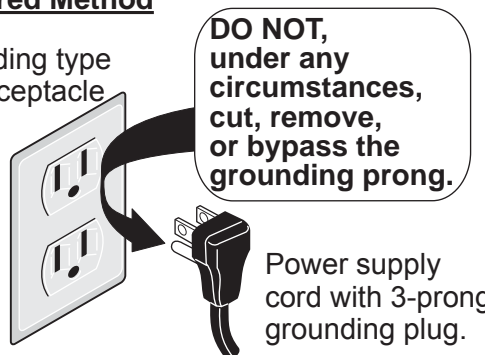
The power cord of this appliance is equipped with a 3-prong (grounding) plug which mates with a standard 3-prong grounding wall receptacle (see Figure 25) to minimize the possibility of electric shock hazard from the appliance.

The wall receptacle and circuit should be checked by a qualified electrician to make sure the receptacle is properly grounded.

Where a standard 2-prong wall receptacle is installed, it is the personal responsibility and obligation of the consumer to have it replaced by

Preferred Method

Grounding type wall receptacle



Power supply cord with 3-prong grounding plug.

Figure 27 – POWER SUPPLY CORD

a properly grounded 3-prong wall receptacle.

DO NOT, under any circumstances, cut or remove the third (ground) prong from the power cord.

⚠ WARNING Disconnect electrical supply cord from wall receptacle before servicing cooktop.

20 Install Burner Caps

- Unpack the burner grates.
- Burners: Unpack the Burner heads and burner caps. Place the burner heads and caps on the matching bases.
- The caps should be level after installation
- Be sure that all the burner caps burner head are correctly placed **BEFORE** using your cooktop.

GAS COOKTOP INSTALLATION INSTRUCTIONS

21 Install Filter and Grates

DO NOT operate the vent without the filter in place.

- Place the filter diagonally through the vent chamber.
- Make sure it rests, at an angle, on the supports in the vent opening.

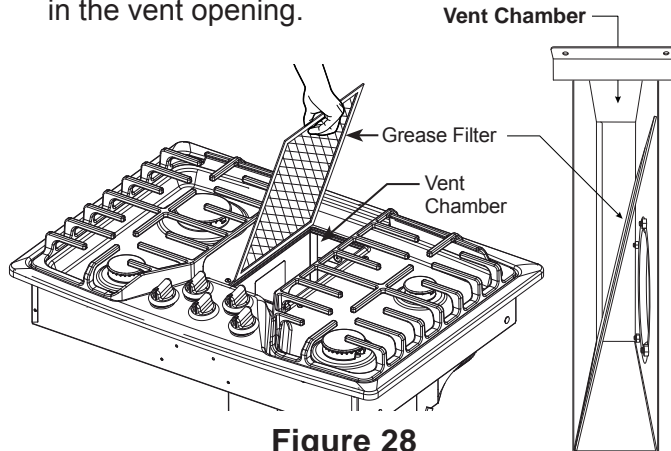


Figure 28
VENT FILTER LOCATION – 30" MODEL

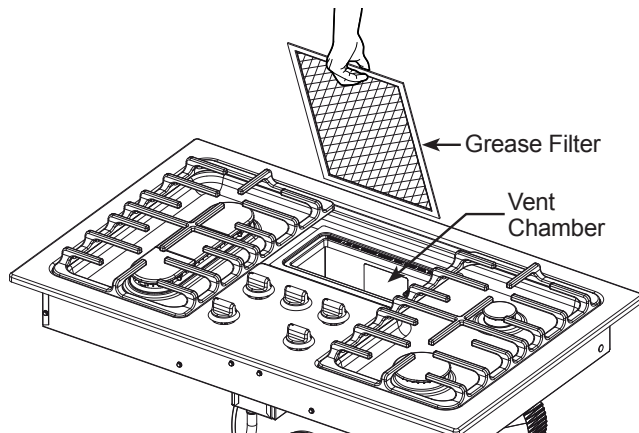


Figure 29
VENT FILTER LOCATION – 36" MODEL

- Carefully place vent grate seal over the vent chamber on the cooktop, with the side marked **FRONT** to the front. Make sure the collar on the bottom of the seal is fully inserted the vent opening. Secure the seal in place with screw.
- Place the vent grate over the vent opening. Place the burner grates over the burners.

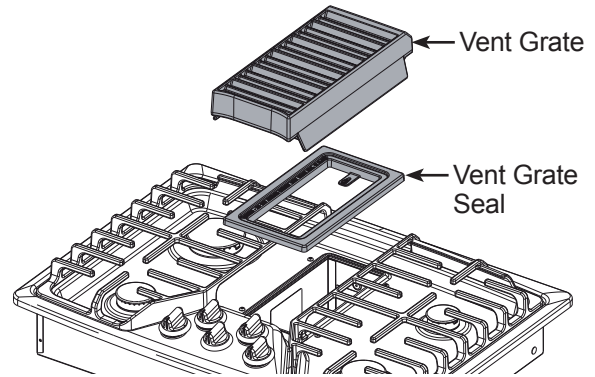


Figure 30
VENT GRATE AND SEAL LOCATION – 30" MODEL

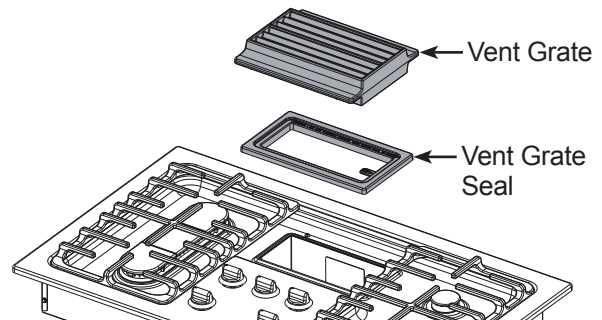


Figure 31
VENT GRATE AND SEAL LOCATION – 36" MODEL

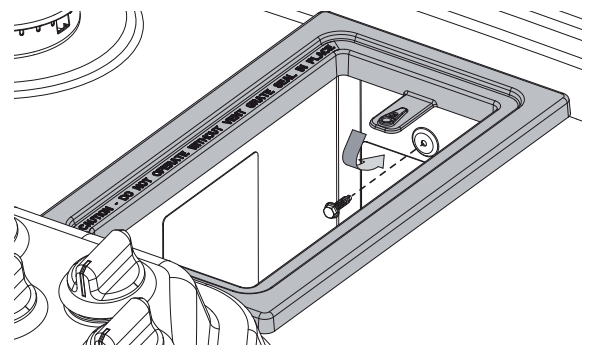


Figure 32
SECURE THE SEAL

GAS COOKTOP INSTALLATION INSTRUCTIONS

22 Check Operation

Refer to the **Use and Care Guide** packaged with the cooktop for operating instructions and for care and cleaning of your cooktop.

21.1 Turn on Electrical Power and Open Main Shutoff Gas Valve

21.2 Check the Igniters

Operation of electric igniters should be checked after cooktop and supply line connectors have been carefully checked for leaks and the cooktop has been connected to electric power.

To operate the surface burner:

- A. Push in and turn a surface burner knob to the LITE position. You will hear a small ticking noise; this is the sound of the electric ignitor which lights the burner.
- B. After the burner lights, turn to the desired flame size. The controls **DO NOT** have to be set at a particular mark. Use the marks as a guide and adjust the flame as needed.

When All Hookups are Complete

Make sure all controls are left in the OFF position.

Make sure the flow of combustion and ventilation air to the cooktop is unobstructed.

Before You Call for Service

Read the Before You Call for Service Checklist and operating instructions in your **Use and Care Guide**. It may save you time and expense. The list includes common occurrences that are not the result of defective workmanship or materials in this appliance.

Refer to the warranty in your **Use and Care Guide** for our service phone number and address. Please call or write if you have inquiries about your product and/or need to order parts.

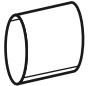
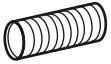



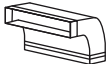
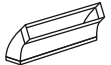
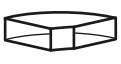
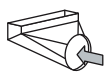
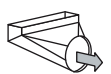
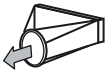
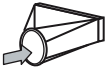



NOTES

GAS COOKTOP INSTALLATION INSTRUCTIONS

Calculating Duct Length Table

For maximum efficiency, use the shortest and straightest duct possible. Use as few fittings as possible. For best performance, the duct run should not exceed 100 feet of equivalent length.

Calculations are approximate and based on HVAC industry standards.

DUCT PIECES		EQUIVALENT LENGTH X	NUMBER USED =	EQUIVALENT LENGTH
	6" (15.2cm) Round Straight **	1 Ft. (0.3m)		Ft. or m
	6" (15.2cm) Round Metal Flex No Bends **	1.5 Ft. (0.45m)		Ft. or m
	6" (15.2cm) 90° Elbow	10 Ft. (3m)		Ft. or m
	6" (15.2cm) 45° Elbow	5 Ft. (1.5m)		Ft. or m
	3¼" x 10" (8.2cm x 25.4cm) Straight **	1 Ft. (0.3m)		Ft. or m
	3¼" x 10" (8.2cm x 25.4cm) 90° Elbow	10 Ft. (3m)		Ft. or m
	3¼" x 10" (8.2cm x 25.4cm) 45° Elbow	5 Ft. (1.5m)		Ft. or m
	3¼" x 10" (8.2cm x 25.4cm) 90° Flat Elbow	10 Ft. (3m)		Ft. or m
	3¼" x 10" (8.2cm x 25.4cm) to 6" (15.2cm) Round Transition 90° Elbow	30 Ft. (9m)		Ft. or m
	6" (15.2cm) Round to 3¼" x 10" (8.2cm x 25.4cm) Transition 90° Elbow	30 Ft. (9m)		Ft. or m
	3¼" x 10" (8.2cm x 25.4cm) to 6" (15.2cm) Round Transition	5 Ft. (1.5m)		Ft. or m
	6" (15.2cm) Round to 3¼" x 10" (8.2cm x 25.4cm) Transition	5 Ft. (1.5m)		Ft. or m
	6" (15.2cm) Round Wall Cap with Damper	30 Ft. (9m)		Ft. or m
	3¼" x 10" (8.2cm x 25.4cm) Wall Cap with Damper	30 Ft. (9m)		Ft. or m
	6" (15.2cm) Round Roof Cap	30 Ft. (9m)		Ft. or m
TOTAL DUCTWORK				Ft. or m

** For Straight Round / Rectangular Duct, measure actual linear feet used and then multiply by Equivalent Length shown.