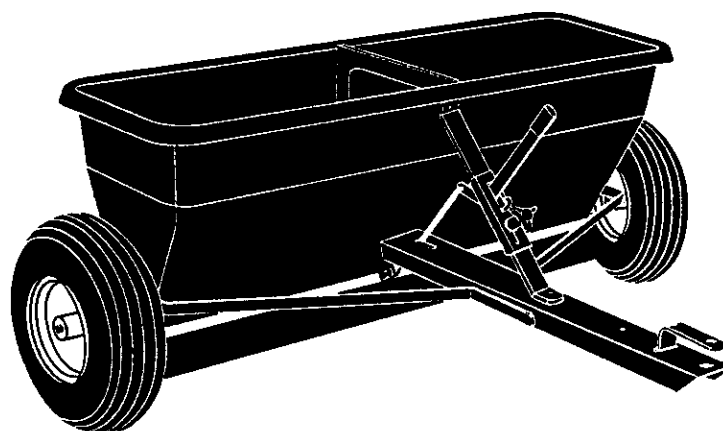


Owner's Manual

CRAFTSMAN®

42" POLY DROP SPREADER

Model No. 486.24494



CAUTION:

Before using this product,
read this manual and follow
all Safety Rules and
Operating Instructions.

- Safety
- Assembly
- Operation
- Maintenance
- Parts

Sears, Roebuck and Co., Hoffman Estates, IL 60179 U.S.A.

PRINTED IN U.S.A.

TABLE OF CONTENTS

SAFETY RULES 2	MAINTENANCE 8
FULL SIZE HARDWARE CHART 3	STORAGE 8
CARTON CONTENTS 4	REPAIR PARTS ILLUSTRATION 10
ASSEMBLY 4	REPAIR PARTS LIST 11
OPERATION 7	PARTS ORDERING/SERVICE Back Page

WARRANTY

LIMITED ONE YEAR WARRANTY ON

For one year from the date of purchase, when this spreader is maintained and lubricated according to the operating and maintenance instructions in the owner's manual, Sears will repair any defect in material or workmanship free of charge. If this spreader is used for commercial or rental purposes, this warranty applies for only 90 days from the date of purchase.

This warranty does not cover repairs necessary because of operator negligence or abuse, including the failure to maintain the equipment according to instructions contained in the owner's manual.

WARRANTY SERVICE IS AVAILABLE BY CONTACTING THE NEAREST SEARS SERVICE CENTER/DEPARTMENT IN THE UNITED STATES.

This warranty applies only while this product is in the United States.

This warranty gives you specific legal rights, and you may also have other rights which vary from state to state. Sears, Roebuck and Co. D/817 WA. Hoffman Estates, Chicago, IL 60179



SAFETY



Any power equipment can cause injury if operated improperly or if the user does not understand how to operate the equipment. Exercise caution at all times, when using power equipment.

- Read this owner's manual before attempting to assemble or operate the spreader.
- Read the towing vehicle owner's manual and know how to operate the tractor before using the spreader attachment.
- Do not allow anyone to ride on or sit on spreader.
- Never allow children to operate the tractor or spreader attachment.
- Do not allow adults to operate the tractor or spreader without proper instructions.
- Read the chemical label for instructions and cautions for handling and applying chemicals.
- Wear eye and hand protection when handling and using lawn chemicals.
- Always begin with the transmission in first (low) gear and gradually increase speed as conditions permit. Maximum towing speed - 10 M.P.H.
- Do not drive too close to a creek or ditch and be alert for holes and other hazards which could cause you to loose control of the tractor and spreader.
- Before operating the vehicle on any grade (hill) refer to the safety rules in the vehicle owner's manual concerning safe operation on slopes. **Stay off steep slopes!**
- Follow maintenance and lubrication instructions as outlined in this manual.



Look for this symbol to point out important safety precautions. It mean--**Attention!! Become alert!! Your safety is involved.**

The model number and serial numbers will be found on a decal attached to the spreader.

You should record both the serial number and the date of purchase and keep in a safe place for future reference.

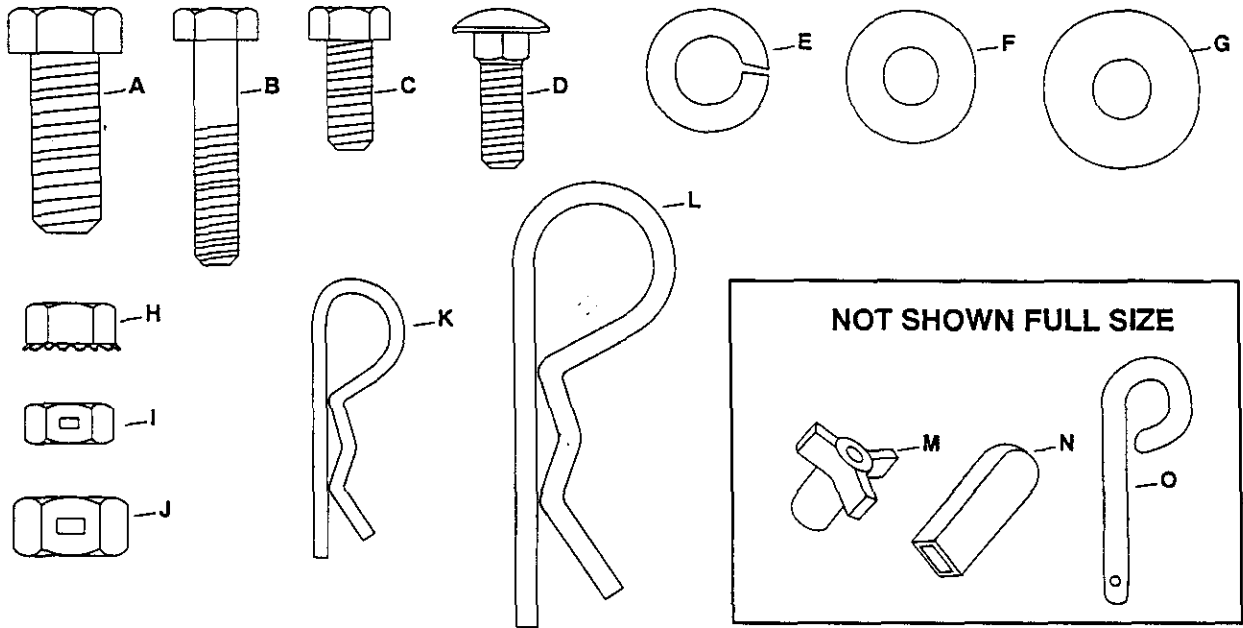
MODEL NUMBER: 486.24494

SERIAL NUMBER: _____

DATE OF PURCHASE: _____

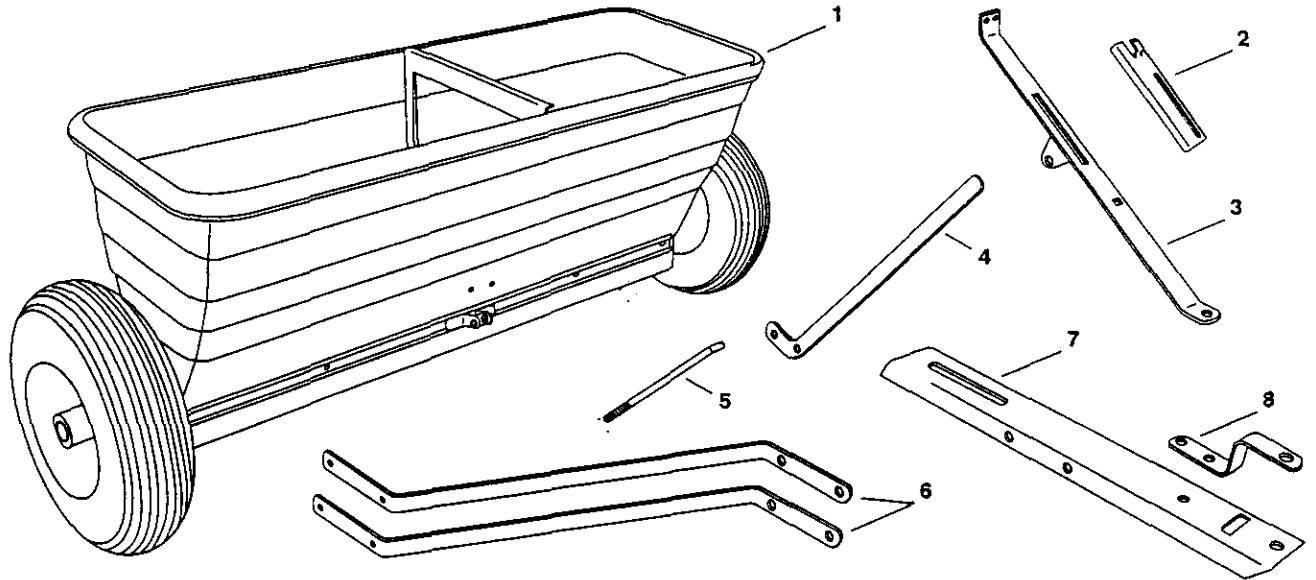
HARDWARE PACKAGE CONTENTS

SHOWN FULL SIZE



REF.	QTY.	DESCRIPTION	REF.	QTY.	DESCRIPTION
A	1	Hex Bolt, 3/8" x 1"	H	12	Hex Nut, 1/4"
B	1	Hex Bolt, 1/4" x 1-1/4"	I	2	Hex Lock Nut, 1/4"
C	12	Hex Bolt, 1/4" x 5/8"	J	1	Hex Lock Nut, 3/8"
D	1	Carriage Bolt, 1/4" x 3/4"	K	1	Hair Cotter Pin, 5/64"
E	1	Lock Washer, 3/8"	L	1	Hair Cotter Pin, 1/8"
F	4	Flat Washer, 1/4"	M	1	Plastic Knob
G	3	Nylon Washer	N	1	Plastic Grip
			O	1	Hitch Pin

ASSEMBLY



CARTON CONTENTS

REF.	QTY.	DESCRIPTION	REF.	QTY.	DESCRIPTION
A	1	Hex Bolt, 3/8" x 1"	G	3	Nylon Washer
B	1	Hex Bolt, 1/4" x 1-1/4"	H	12	Hex Nut, 1/4" (SIMS)
C	12	Hex Bolt, 1/4" x 5/8"	I	2	Hex Lock Nut, 1/4"
D	1	Carriage Bolt, 1/4" x 3/4"	J	1	Hex Lock Nut, 3/8"
E	1	Lock Washer, 3/8"	K	1	Hair Cotter Pin
F	4	Flat Washer, 1/4"	L	1	Plastic Knob
			M	1	Plastic Grip

UNPACKING THE SPREADER

- Remove the hardware pack and all individual parts from the carton and lay out as shown on pages 3 and 4.

TOOLS REQUIRED FOR ASSEMBLY

- (2) 7/16" Wrenches
- (2) 9/16" Wrenches

ASSEMBLING THE SPREADER

- Assemble the tongue to the hopper as shown in figure 1 using two 1/4" x 5/8" hex bolts and 1/4" hex nuts. **Do not tighten yet.**

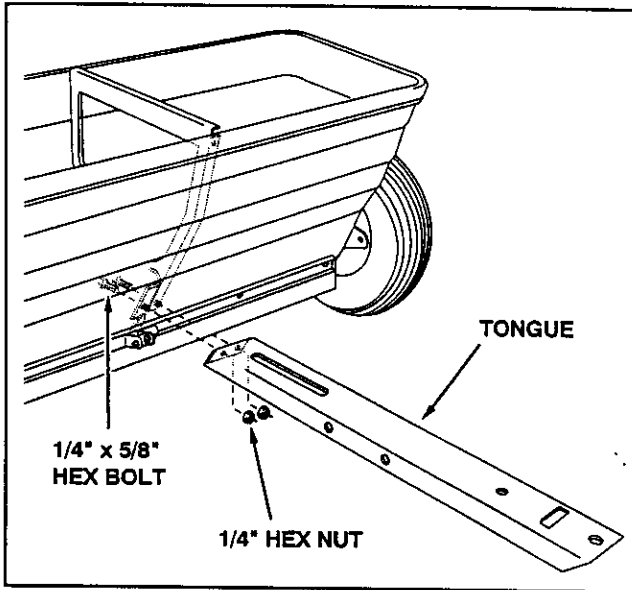


FIGURE 1

- Attach the hopper brace to the hopper using two 1/4" x 5/8" hex bolts, one 1/4" flat washer and two 1/4" hex nuts. **Do not tighten yet.** See figure 2.
- Place the end of the hitch bracket (two holes) down through the slot in the tongue. Attach the hopper brace to the top of the tongue and the hitch bracket to the bottom using one 3/8" x 1" hex bolt, 3/8" lock washer and 3/8" hex lock nut. **Tighten all bolts assembled so far.** See figure 2.

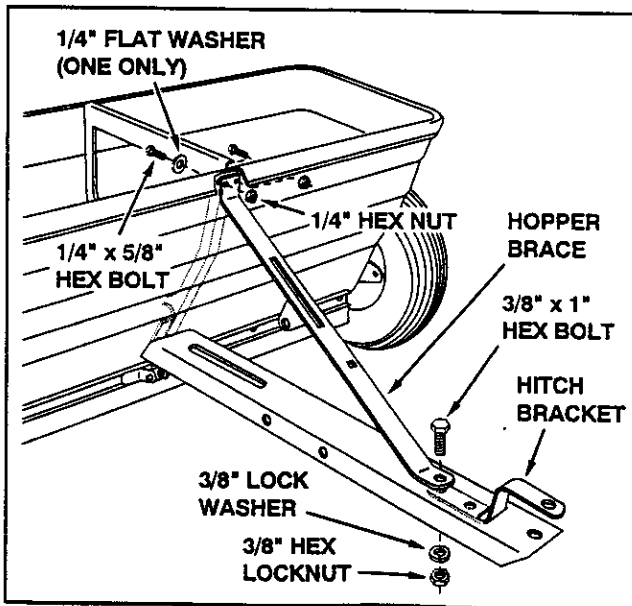


FIGURE 2

- Assemble one end of a tongue brace to the side of the tongue using two 1/4" x 5/8" hex bolts and 1/4" hex nuts. **Do not tighten yet.** See figure 3.
- Assemble the other end of the tongue brace to the triangular plate on the end of the spreader. Use a 1/4" hex bolt and 1/4" hex nut in the front hole of the plate. Use a 1/4" hex bolt, 1/4" flat washer and 1/4" hex nut in the rear hole, with the bolt and washer assembled on the inside of the hopper as shown in figure 3. **Do not tighten yet.**
- Repeat steps 5 and 6 to attach the second tongue brace to the other end of the spreader and then **tighten all loose bolts.**

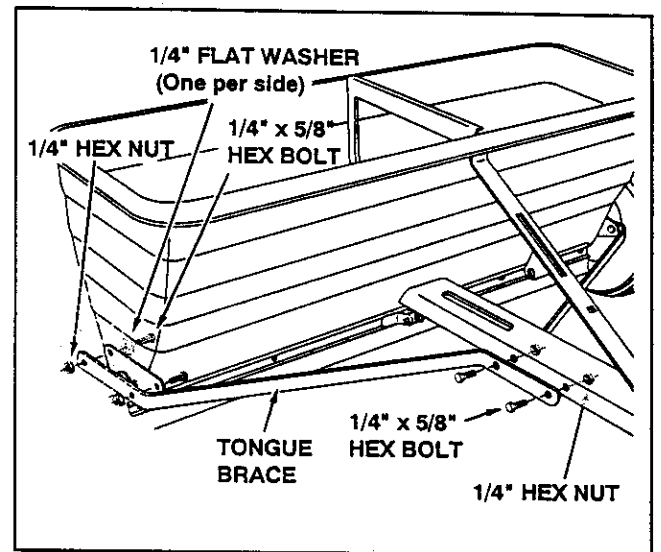


FIGURE 3

- Assemble the plastic grip onto the end of the flow control arm as shown in figure 4.
- Attach the flow control arm to the plate on the underneath side of the hopper brace as shown in figure 4, using a 1/4" x 1-1/4" hex bolt, a 1/4" flat washer, two nylon washers and two 1/4" hex lock nuts. The nylon washers should be placed on each side of the flow control arm, with one washer between the arm and the plate. **Tighten** the first hex lock nut until there is noticeable resistant when moving the flow control arm. **Tighten** the second hex lock nut.

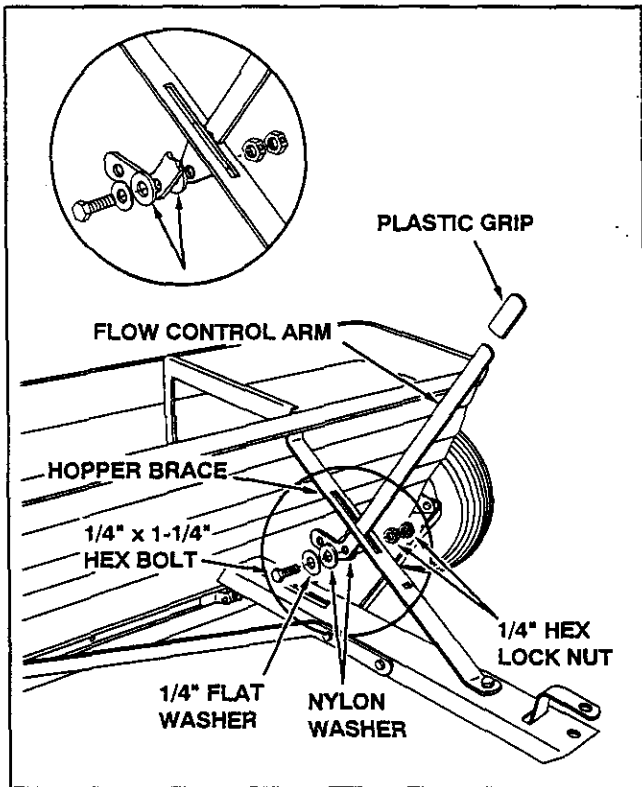


FIGURE 4

- Move the flow control arm back towards the hopper as far as it will go ("OFF" position). Close the flow plates at the bottom of the hopper by pushing them back as far as they will go. The arm and the plates must remain in this position for the next step. See figure 5.
- Place the threaded end of the flow control rod through the slot in the tongue and screw the rod into the ferrule at the bottom of the hopper. Screw in until the bent end of the rod aligns with the hole in the end of the flow control arm. Secure the end of the rod to the arm using the hair cotter pin. See figure 5.

- Move the flow control arm forward, away from the hopper, opening the flow plates. If you can close the flow plates by pushing directly against them, you need to tighten the hex lock nuts on the flow control arm. The arm needs to provide enough resistance to hold the plates in position.

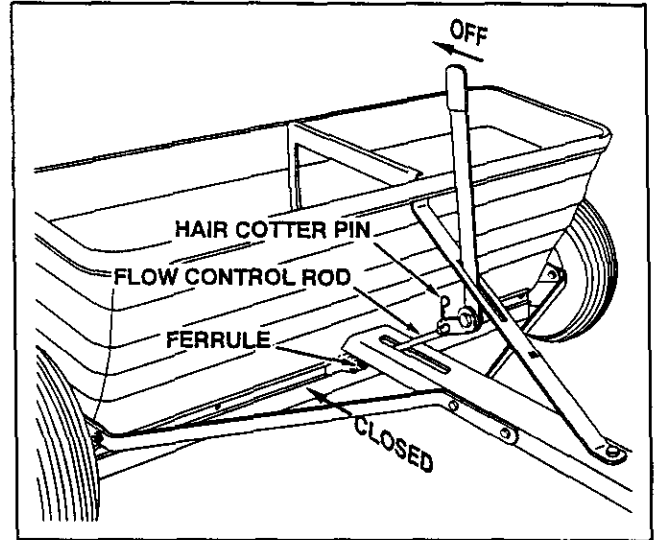


FIGURE 5

- Assemble the flow control gauge to the hopper brace using the 1/4" x 3/4" carriage bolt, a nylon washer and the plastic knob. See figure 6.

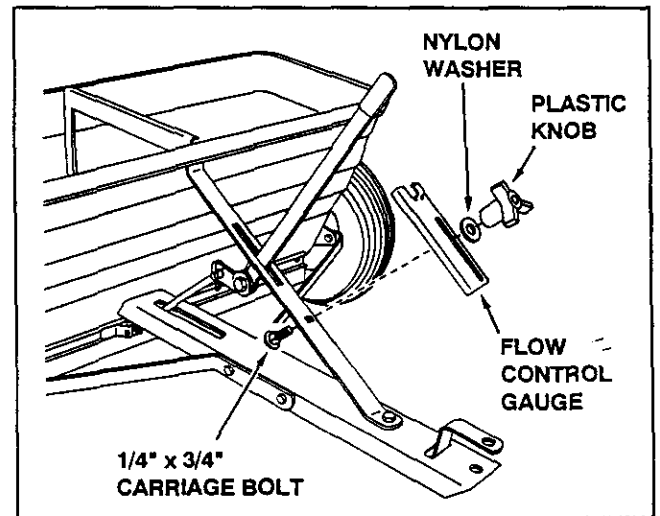


FIGURE 6

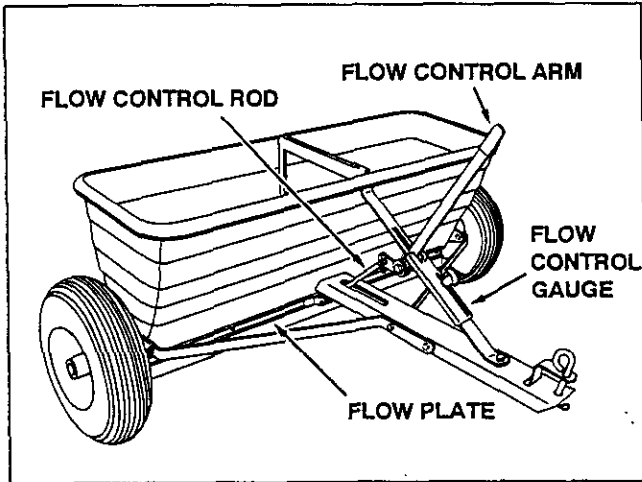
- Set the flow control gauge at the highest setting and pull the flow control arm against the gauge. The slots should be completely open when the arm is against the gauge and completely closed when the arm is moved back to the "Off" position. If necessary, make adjustments by screwing the flow control rod in or out of the ferrule.

OPERATION

KNOW YOUR SPREADER

Read this owner's manual and safety rules before operating your spreader.

Compare the illustration below with your spreader to familiarize yourself with the various controls and their locations.



FLOW CONTROL ROD Connects the flow control arm to the flow plates. Screws in or out of threaded ferrule to calibrate flow plate opening.

FLOW CONTROL ARM Opens and closes the flow plates to control material flow.

FLOW CONTROL GAUGE Limits how far the flow control arm can open the flow plates.

FLOW PLATES Close or open slots in bottom of hopper to allow or prevent material flow.

HOW TO USE YOUR SPREADER

- Refer to the instruction label on the material package, and to the Recommended Spreader Settings sheet included with your spreader, for the proper spreader setting and application rate to be used. The flow rate chart shown on this page gives a general range of settings for types of materials commonly used.
- Loosen the knob and adjust the flow control gauge to the recommended setting. Retighten the knob. See figure 7.
- Determine the approximate square footage of the area to be covered and estimate the amount of fertilizer or seed required.
- Move the spreader onto a flat surface - either a walk or a driveway.
- Push the flow control arm to the "OFF" position and then fill the hopper, breaking up any lumps.
- Start the spreader in motion and then pull the flow control arm forward to the "ON" position as you travel across your lawn. The recommended towing speed is 3 m.p.h.

IMPORTANT: Always place flow control arm in the "OFF" position to prevent excess fertilizer from being released when filling the spreader and when stopping or turning.

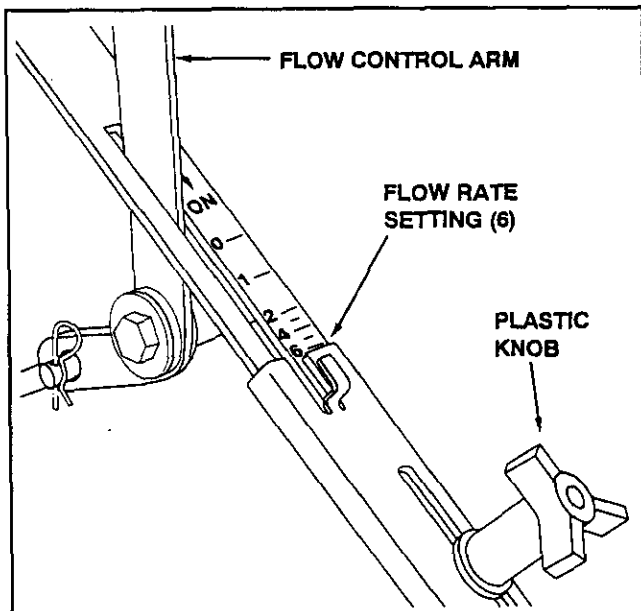


FIGURE 7

FLOW RATE CHART

MATERIAL	TYPE	Flow Rate Setting At 3 M.P.H.	
		Light	Heavy
Fertilizer	Granular / Pelleted	3	7
Grass Seed	Fine / Coarse	5	10

3 M.P.H. is equivalent to traveling 100 feet in 23 seconds.

APPLICATION TIPS

- Reduce the flow setting for speeds slower than 3 M.P.H. and increase the setting for higher speeds.
- To avoid misses or striping, overlap the previous wheel tracks by approximately 4" - 5". The spread width of the spreader is approximately 40".
- For easiest application, first apply material across both ends of the area. Two or three passes on each end are sufficient. Then apply material back and forth as shown. Use the end areas for turning around, shutting off the spreader as you enter the end areas and turning the spreader on again as you leave the end areas for your next pass. See figure 8.

- If lawn is odd shaped, spread a border around the edges and then spread between the border.

NOTE: Be careful when using the spreader around ornamental plants because weed control chemi-

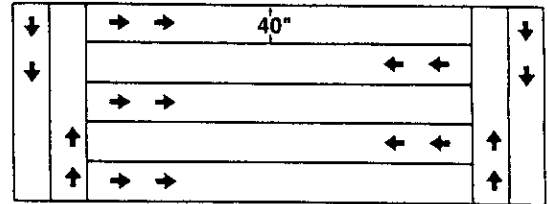


FIGURE 8

MAINTENANCE

CUSTOMER RESPONSIBILITIES

- Read and follow the maintenance schedule and the maintenance procedures listed in this section.

MAINTENANCE SCHEDULE Fill in dates as you complete regular service.	Service Dates											
	Before each use	After each use	Every season	Before storage								
Check for loose fasteners	X											
Lubrication			X									
Check tire inflation	X											
Cleaning		X										

CHECK FOR LOOSE FASTENERS

- Before each use make a thorough visual check of the snow thrower for any bolts and nuts which may have loosened. Retighten any loose bolts and nuts.

CHECK TIRE INFLATION

- Keep tires inflated to 12 - 14 lbs.

LUBRICATION

- Apply a few drops of oil to all moving parts.

CLEANING

- Always empty spreader after each use, storing leftover material in it's original bag.
- Wash the spreader and dry thoroughly after each use.

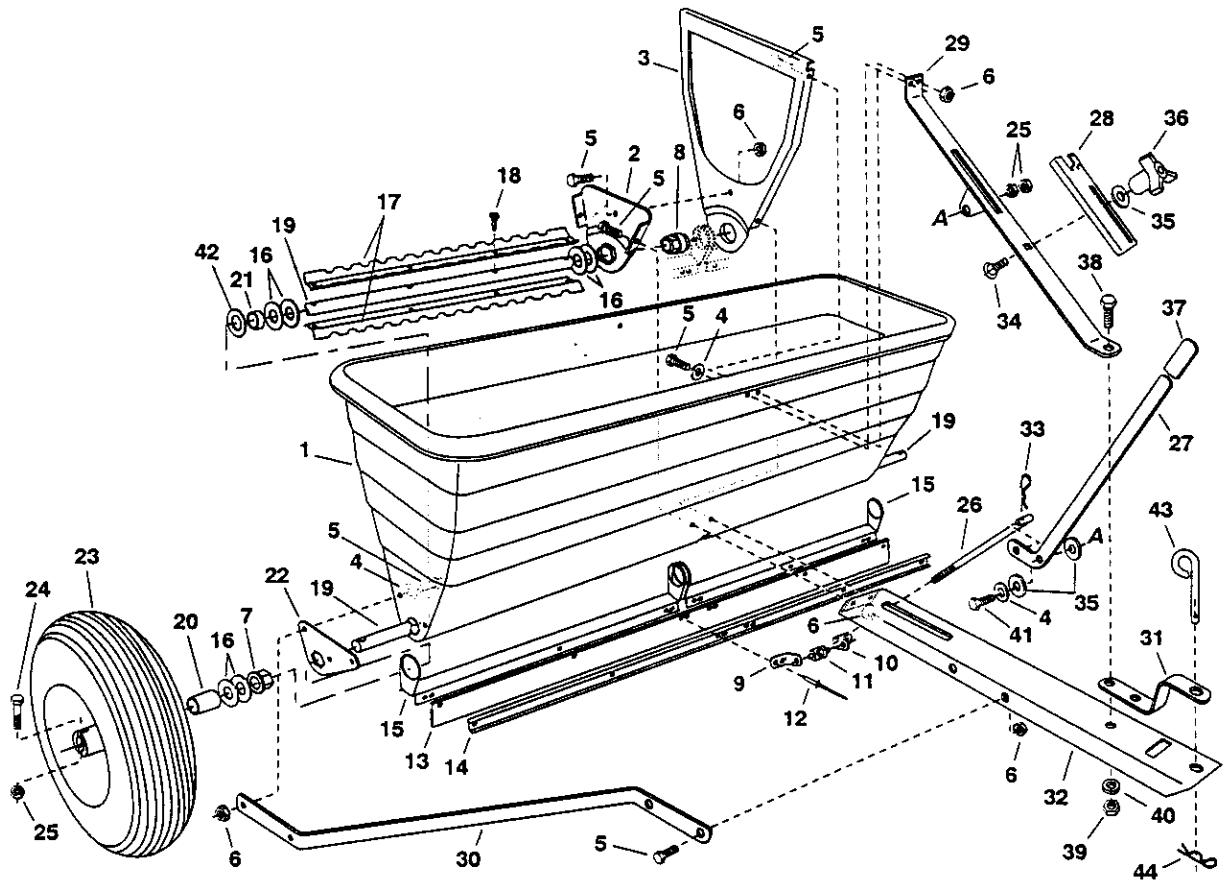
STORAGE

- Empty the spreader, storing leftover material in it's original bag.
- Wash the spreader and dry thoroughly before storing
- Store in a clean, dry area.

NOTES

PARTS

REPAIR PARTS FOR 175 LB. DROP SPREADER MODEL 486.24494



REPAIR PARTS FOR 175 LB DROP SPREADER MODEL 486.24494

REF. NO.	PART NO.	QTY.	DESCRIPTION	REF. NO.	PART NO.	QTY.	DESCRIPTION
1	47451	1	Hopper	23	44457	2	Wheel
2	24536	1	Hopper Center Plate (Small)	24	1509-69	2	Bolt, Hex 1/4-20 x 1-3/4" Lg.
3	24535	1	Hopper Center Plate (Large)	25	43013	4	Nut, Hex Lock 1/4-20 Thd.
4	43088	9	Washer, 1/4"	26	47457	1	Rod, Flow Control
5	43866	18	Bolt, Hex 1/4-20 x 5/8"	27	24541	1	Arm, Flow Control
6	46978	18	Nut, Hex (SIMS) 1/4-20 Thd.	28	24542	1	Gauge, Flow Control
7	741-0245	2	Bearing, Flange	29	63850	1	Brace Assembly, Hopper
8	47484	1	Bearing, Hex Flange	30	24532	2	Brace, Tongue
9	24538	1	Bracket, Feed Plate (RH)	31	23014	1	Hitch Bracket
10	24539	1	Bracket, Feed Plate (LH)	32	24531	1	Tongue
11	47507	1	Ferrule	33	47037	1	Pin, Hair Cotter 5/64"
12	728-3001	8	Pop Rivet	34	44950	1	Bolt, Carriage 1/4-20 x 3/4" Lg.
13	47459	1	Skirt, 48"	35	1543-69	3	Washer, Nylon
14	47508	1	Retainer, Skirt	36	43849	1	Knob, Plastic 1/4-20 Thd.
15	24537	2	Flow Plate	37	43848	1	Grip, Plastic
16	43009	12	Washer	38	43001	1	Bolt, Hex 3/8-16 x 1" Lg.
17	47259	4	Agitator Blade	39	43082	1	Nut, Hex Lock 3/8-16 Thd.
18	47476	16	Screw, #8-32 x 3/8" Lg.	40	43003	1	Lock Washer, 3/8"
19	24540	2	Axle	41	1509-90	1	Bolt, Hex 1/4-20 x 1-1/4" Lg.
20	46497	2	Spacer, Tube 1" OD x 1.2" Lg.	42	43601	2	Washer, 1" ID x .06" Thick
21	47458	2	Spacer, 1.25" OD x .330" Lg.	43	23353	1	Hitch Pin
22	24534	2	Plate, Bearing	44	43343	1	Pin, Hair Cotter 1/8"
					47529	1	Owners Manual

