

# ELECTRIC WALL OVEN INSTALLATION INSTRUCTIONS

(and Optional Electric or Gas Cooktop Combination)

**INSTALLATION AND SERVICE MUST BE PERFORMED BY A QUALIFIED INSTALLER.**

**IMPORTANT: SAVE FOR LOCAL ELECTRICAL INSPECTOR'S USE. READ AND SAVE THESE INSTRUCTIONS FOR FUTURE REFERENCE.**

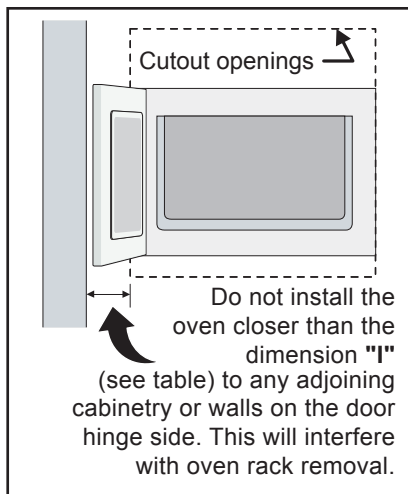
**⚠ WARNING** FOR YOUR SAFETY: Do not store or use gasoline or other flammable vapors and liquids in the vicinity of this or any other appliance.

Your new wall oven has been designed to fit a limited variety of cutout sizes to make the job of installing easier. The first step of your installation should be to measure your current cutout dimensions and compare them to the cutout dimensions chart below for your model. You may find little or no cabinet work being necessary.

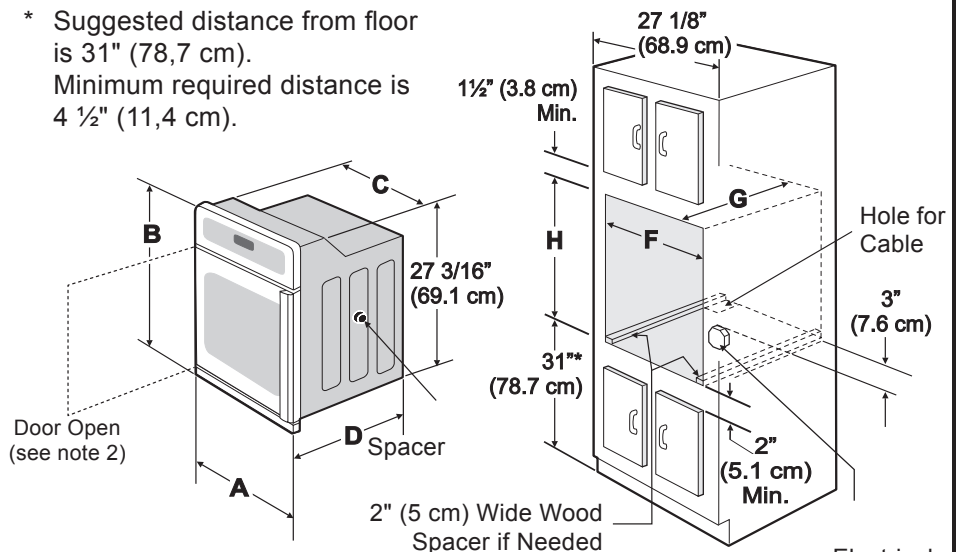
United States and Canada



**⚠ WARNING** Do not remove spacers (if equipped) on the side walls and/or on the back of the built-in oven. These spacers center the oven in the space provided. The oven must be centered to prevent excess heat buildup that may result in heat damage or fire.



\* Suggested distance from floor is 31" (78,7 cm).  
Minimum required distance is 4 1/2" (11,4 cm).



**Figure 1**

**NOTES:**

1. Base must be capable of supporting 150 pounds (68 kg).
2. Allow at least 27 1/4" (69,2 cm) clearance in front of oven for door depth when it is open.
3. Dimension **G** (cutout depth) is critical to the proper installation of the built-in oven. If the oven decorative trim does not butt against the cabinet, or if noise is heard on convection models, verify dimension **G** to assure it is the required depth.
4. For a cutout height greater than 28 1/8" (71,4 cm) add one 2" (5 cm) wide wood shim of appropriate height to each side of the opening under the appliance side rails. For a cutout height (**H**) greater than 28 5/8" (72,7 cm) you can order a larger bottom trim, contact a Service Center

PRODUCT DIMENSIONS					
A		B	C		D
27 (68,6)		29 (73,7)	24 5/8 (62,5)		24 3/4 (62,9)
CUTOUT DIMENSIONS AND CABINET WIDTH					
F		G (Min.)	H. Standard Height (Others, see note 4)		I
Min.	Max.		Min.	Max.	
24 7/8 (63,2)	25 1/4 (64,1)	24 (61,0)	27 1/4 (69,2)	28 1/4 (71,7)	4 1/2 (11,4)

# ELECTRIC WALL OVEN INSTALLATION INSTRUCTIONS

(and Optional Electric or Gas Cooktop Combination)

## Important Notes to the Installer

1. Read all instructions contained in these installation instructions before installing the wall oven.
2. Remove all packing material from the oven compartments before connecting the electrical supply to the wall oven.
3. Observe all governing codes and ordinances.
4. Be sure to leave these instructions with the consumer.
5. **THESE OVENS ARE NOT APPROVED FOR STACKABLE OR SIDE-BY-SIDE INSTALLATION.**

## Important Note to the Consumer

Keep these instructions with your Owner's Guide for the local electrical inspector's use and future reference.

# IMPORTANT SAFETY INSTRUCTIONS

- **Be sure your wall oven is installed and grounded properly by a qualified installer or service technician.**
- **This wall oven must be electrically grounded in accordance with local codes or, in their absence, with the National Electrical Code ANSI/NFPA No.70- latest edition in United States, or with CSA Standard C22.1, Canadian Electrical Code, Part 1, in Canada.**

**⚠ WARNING** Stepping, leaning or sitting on the door of this wall oven can result in serious injuries and can also cause damage to the wall oven.

- **Never use your wall oven for warming or heating the room.** Prolonged use of the wall oven without adequate ventilation can be dangerous.

**⚠ WARNING** The electrical power to the oven must be shut off while line connections are being made. Failure to do so could result in serious injury or death.

## 1. Carpentry

Refer to figure 1 for the dimensions of your appliance, and the space necessary to receive the oven. The oven support surface may be solid plywood or similar material, however the surface must be level from side to side and from front to rear.

## 2. Adjusting Oven Height

Oven height can be adjusted with 2" (5 cm) wide wood shims when needed to fit into an existing cabinet cutout opening, when cutout height exceeds 28 1/8" (71,4 cm) (Figure 1). Place shims of appropriate height beneath the oven side rails. For a cutout height greater than 28 1/4" (71,7 cm) you can order a larger bottom trim, contact a Service Center

## 3. Electrical Requirements

This appliance must be supplied with the proper voltage and frequency, and connected to an individual, properly grounded branch circuit, protected by a circuit breaker or fuse. To know the circuit breaker or fuse required by your model, see the serial plate to find the wattage consumption and refer to table A to get the circuit breaker or fuse amperage.

Appliance Rating Watts 240V	Protection Circuit Recommended	Appliance Rating Watts 208V	Protection Circuit Recommended
Less than 4800W	20A	Less than 4100W	20A
4800W - 7200W	30A	4100W - 6200W	30A
7200W - 9600W	40A	6200W - 8300W	40A
9600W and +	50A	8300W and +	50A

Table A

### Observe all governing codes and local ordinances

1. A 3-wire or 4-wire single phase 120/240 or 120/208 Volt, 60 Hz AC only electrical supply is required on a separate circuit fused on both sides of the line (red and black wires). A time-delay fuse or circuit breaker is recommended. DO NOT fuse neutral (white wire). Only certain cooktop models may be installed over certain built-in electric oven models. Approved cooktops and built-in ovens are listed by the MFG ID number (see the insert sheet included in the literature package).

**NOTE:** Wire sizes and connections must conform with the fuse size and rating of the appliance in accordance with the American National Electrical Code ANSI/NFPA No. 70-latest edition, or with Canadian CSA Standard C22.1, Canadian Electrical Code, Part 1, and local codes and ordinances.

**⚠ WARNING** An extension cord should not be used with this appliance. Such use may result in a fire, electrical shock, or other personal injury.

2. These appliances should be connected to the fused disconnect (or circuit breaker) box through flexible armored or nonmetallic sheathed cable. The flexible armored cable extending from the appliance should be connected directly to the junction box. The junction box should be located

# ELECTRIC WALL OVEN INSTALLATION INSTRUCTIONS

(and Optional Electric or Gas Cooktop Combination)

as shown in Figure 1 and with as much slack as possible remaining in the cable between the box and the appliance, so it can be moved if servicing is ever necessary.

3. A suitable strain relief must be provided to attach the flexible armored cable to the junction box.

## **⚠ WARNING**

### **Electrical Shock Hazard**

- **Electrical ground is required on this appliance.**
- **Do not connect to the electrical supply until appliance is permanently grounded.**
- **Disconnect power to the junction box before making the electrical connection.**
- **This appliance must be connected to a grounded, metallic, permanent wiring system, or a grounding connector should be connected to the grounding terminal or wire lead on the appliance.**
- **Do not use a gas supply line for grounding the appliance.**

**Failure to do any of the above could result in a fire, personal injury or electrical shock.**

**⚠ CAUTION** In cold weather shipping and storage conditions, make sure that oven is in final location at least three (3) hours before switching on power. Switching on power while oven is still cold may damage the oven controls.

## **4. Electrical connection**

It is the responsibility and obligation of the consumer to contact a qualified installer to assure that the electrical installation is adequate and is in conformance with the National Electrical Code ANSI/NFPA No. 70- latest edition, or with CSA Standard C22.1, Canadian Electrical Code, Part 1, and local codes and ordinances.

**⚠ WARNING** Risk of electrical shock (Failure to heed this warning may result in electrocution or other serious injury.) This appliance is equipped with copper lead wire. If connection is made to aluminum house wiring, use only connectors that are approved for joining copper and aluminum wire in accordance with the National Electrical Code

and local code and ordinances. When installing connectors having screws which bear directly on the steel and/or aluminum flexible conduit, do not tighten screws sufficiently to damage the flexible conduit. Do not over bend or excessively distort flexible conduit to avoid separation of convolutions en exposure of internal wires.

DO NOT ground to a gas supply pipe. DO NOT connect to electrical power supply until appliance is permanently grounded. Connect the ground wire before turning on the power.

**⚠ WARNING** (If your appliance is equipped with a white neutral conductor.)

This appliance is manufactured with a white neutral power supply and a frame connected copper wire. The frame is grounded by connection of grounding lead to neutral lead at the termination of the conduit, if used in USA, in a new branch circuit installation (1996 NEC), mobile home, recreational vehicles, where local code do not permit grounding through the neutral (white) wire or in Canada, disconnect the white and green lead from each other and use ground lead to ground unit in accordance with local codes, connect neutral lead to branch circuit-neutral conductor in usual manner see Figure 3. If your appliance is to be connected to a 3 wire grounded junction box (US only), where local code permit connecting the appliance-grounding conductor to the neutral (white) see Figure 2.

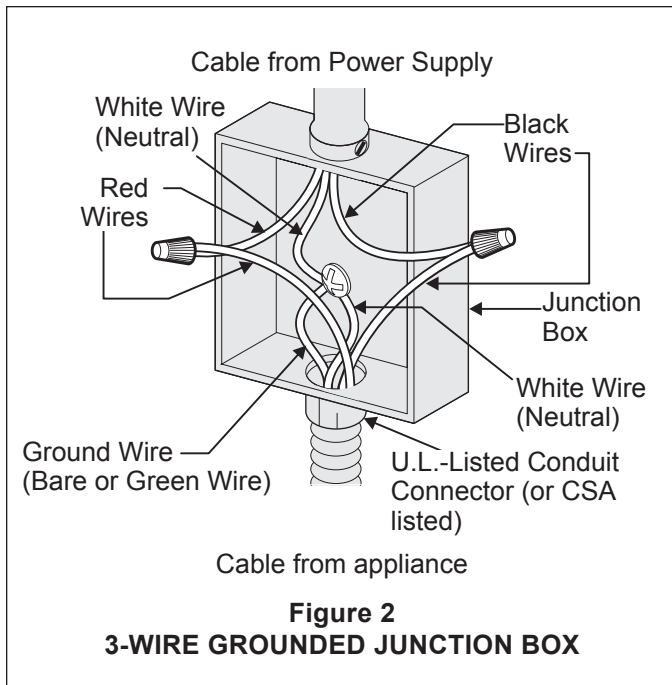
**NOTE TO ELECTRICIAN:** The armored cable leads supplied with the appliance are UL-recognized for connection to larger gauge household wiring. The insulation of the leads is rated at temperatures much higher than temperature rating of household wiring. The current carrying capacity of the conductor is governed by the temperature rating of the insulation around the wire, rather than the wire gauge alone.

**Where local codes permit connecting the appliance-grounding conductor to the neutral (white) wire (US Only) (see figure 2):**

1. Disconnect the power supply.
2. In the junction box:  
connect appliance and power supply cable wires as shown in Figure 2.

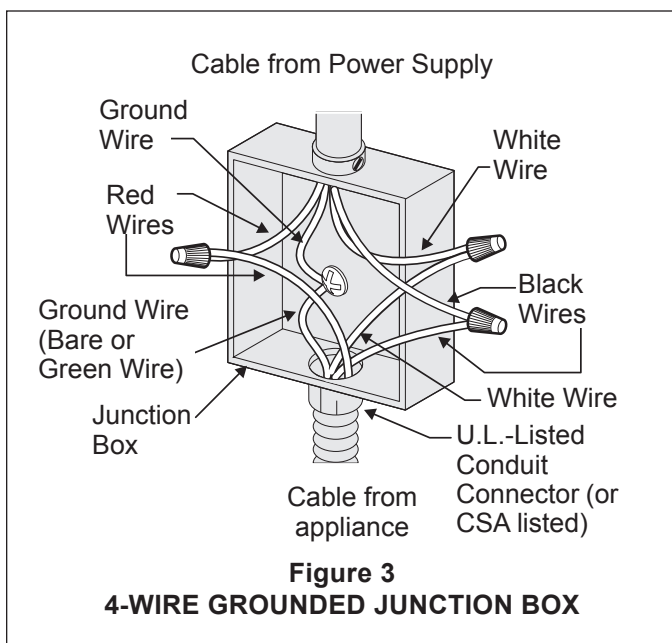
# ELECTRIC WALL OVEN INSTALLATION INSTRUCTIONS

(and Optional Electric or Gas Cooktop Combination)



If oven is used in a new branch circuit installation (1996 NEC), mobile home, recreational vehicle, or where local codes DO NOT permit grounding through the neutral (white) wire, the appliance frame **MUST NOT** be connected to the neutral wire of the 4-wire electrical system. (see figure 3):

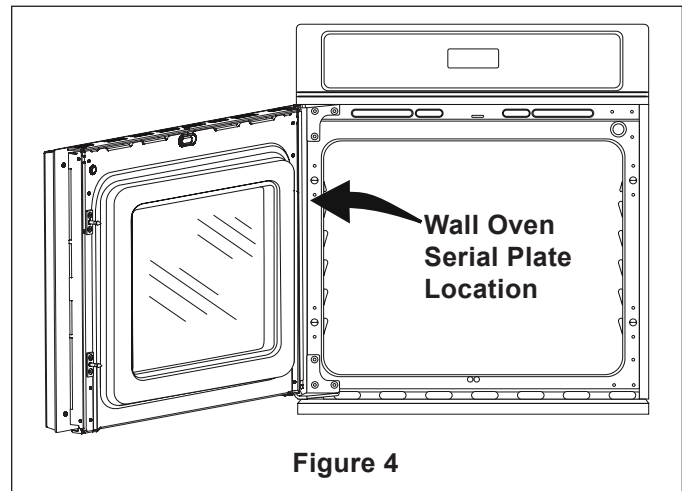
1. Disconnect the power supply.
2. Separate the green (or bare copper) and white appliance cable wires.
3. In the junction box: connect appliance and power supply cable wires as shown in Figure 3.



## 5. Model and Serial Number Location

The serial plate is located along the interior side trim of the oven and visible when the door is opened.

When ordering parts for or making inquiries about your oven, always be sure to include the model and serial numbers and a lot number or letter from the serial plate on your oven.



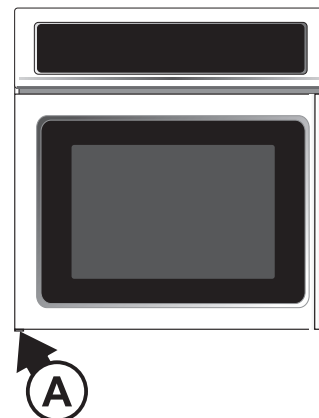
## 6. Oven Door Opening Reversal Procedure

This wall oven can easily be modified to a left or a right hand opening. When you receive your appliance the door is set for a left opening. It is preferable to reverse door opening prior to the installation of the wall oven into the cabinet cavity. If wall oven is already installed, removed the anti-tip screws and then pull wall oven outward by approx. 2" (5 cm).

### 6.1 To remove the oven door from the appliance

Be sure the oven door is closed.

- 6.1.1. Unscrew and remove the threaded pin from the lower hinge (See A, Figure 5).



# ELECTRIC WALL OVEN INSTALLATION INSTRUCTIONS

(and Optional Electric or Gas Cooktop Combination)

- 6.1.2. Support and lift up the door such as to clear the lower hinge pin (Figure 6).

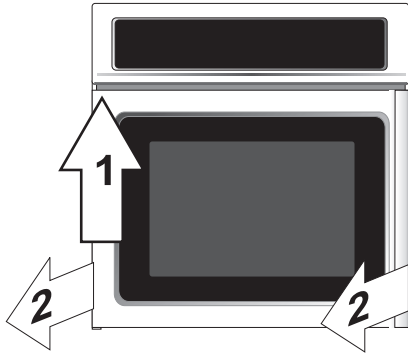


Figure 6

- 6.1.3. Remove the oven door from the appliance.  
 6.1.4. Gently lay the door on a work table handle up.  
 6.1.5. Reinstall the threaded pin at its initial position (see A, Figure 7).

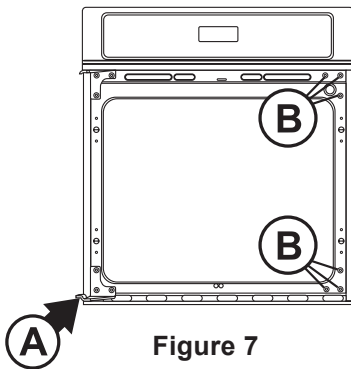


Figure 7

## 6.2 Oven frame modifications

- 6.2.1. Remove the six (6) screws and washers located on the right side of the oven frame (see B, Figure 7). Keep the screws and washers to reinstall them at step 6.2.5.  
 6.2.2. Remove the lower hinge on the left side of the oven frame (See C, Figure 8) and install it on the upper right side of the oven frame (see E, Figure 8).  
 6.2.3. Remove the upper hinge on the left side of the oven frame (see D, Figure 8) and relocate it on the lower right side of the oven frame (see F, Figure 8).

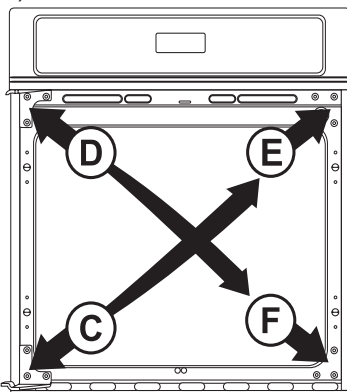


Figure 8

- 6.2.4. Remove the threaded pin from left side lower hinge (see G, Figure 9). Save the threaded pin for reassembly later.

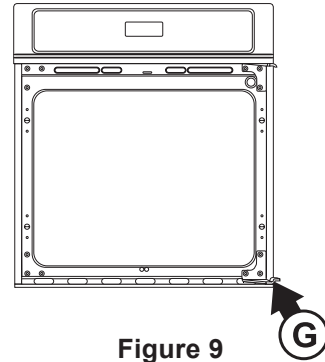


Figure 9

- 6.2.5. Replace the six (6) screws and washers removed on step 1 on the left side of the oven frame (See B, Figure 10).

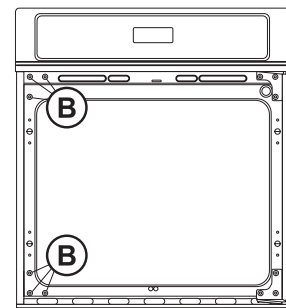


Figure 10

## 6.3 Oven door modifications:

- 6.3.1. Remove the three (3) screws, each side, fixing the outer door assembly (glass panel and handle). Remove also the four (4) screws located on top (2) and under (2) outer door assembly (see H, Figure 11 (10 screws total)).

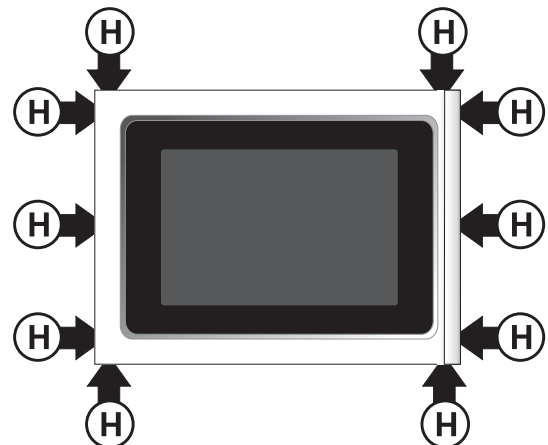


Figure 11

# ELECTRIC WALL OVEN INSTALLATION INSTRUCTIONS

(and Optional Electric or Gas Cooktop Combination)

- 6.3.2. To remove the outer door assembly, lift lightly the handle side about 30°. Slide the outer door assembly out of the door hinges (Figure 12).

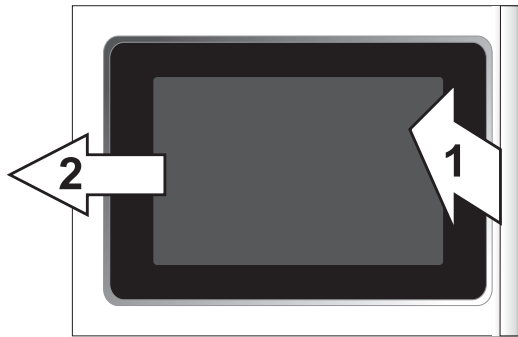


Figure 12

- 6.3.3. Lay the outer door assembly on a work table.  
6.3.4. Turn the inner door to have the interior of the oven door faces up.  
6.3.5. Remove the four (4) caps (See I, Figure 13) located on the left side of the inner door. Keep them for step 6.3.11.  
6.3.6. Remove the two (2) plastic plugs (See O, Figure 13) located on the left side of the inner door. Keep them for step 6.3.8.  
6.3.7. Remove the two (2) latch pins (Position N, Figure 13) located on the on the left side and install them on the right side (Position O, Figure 13).  
6.3.8. Relocate the two (2) plastic plugs, removed on step 6.3.6, on the right of the inner door (Position N, Figure 13).  
6.3.9. Unscrew the right side lower hinge and reinstall it on the left side upper position (See K, Figure 13).  
6.3.10. Do the same with the hinge located on right side upper position and reinstall it on the left side lower position (see J, Figure 13).

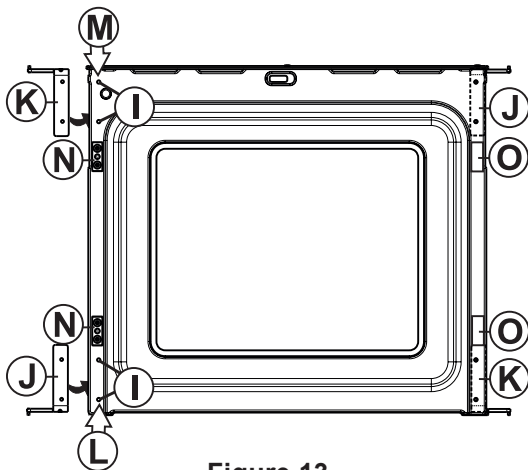


Figure 13

- 6.3.11. Replace the four (4) caps removed on step 6.3.5 on the right side of the inner door.  
6.3.12. Turn the inner door to have the interior of the oven door faces on the work table.  
6.3.13. Replace the outer door assembly on the inner door in the inverse manner than step 6.3.2.  
6.3.14. Fix the outer door assembly using the ten (10) screws removed on step 6.3.1 (See H, Figure 11).

## 6.4 To replace the oven door

- 6.4.1. Replace the door. First engage the upper door hinge pin in the oven frame hinge.  
6.4.2. Once the upper door hinge is in place, lift up the oven door such as to clear the lower oven frame hinge and be able to insert the lower door hinge pin in the lower oven frame hinge.  
6.4.3. Close the door. **CAUTION** Do not open the door until the threaded pin is in place.  
6.4.4. Fix the threaded pin in the lower hinge (See G, Figure 14).

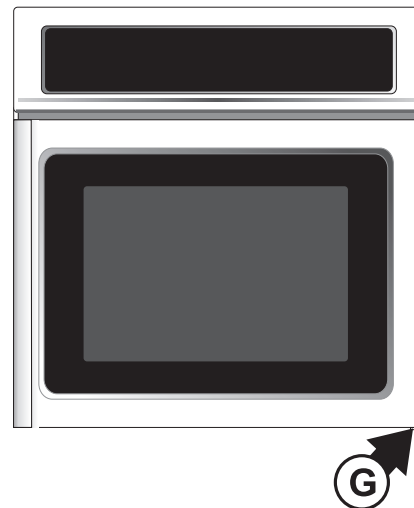


Figure 14

# ELECTRIC WALL OVEN INSTALLATION INSTRUCTIONS

(and Optional Electric or Gas Cooktop Combination)

## 7. Cabinet Installation

### IMPORTANT

Do not lift the oven by the door handle.

### ⚠ WARNING

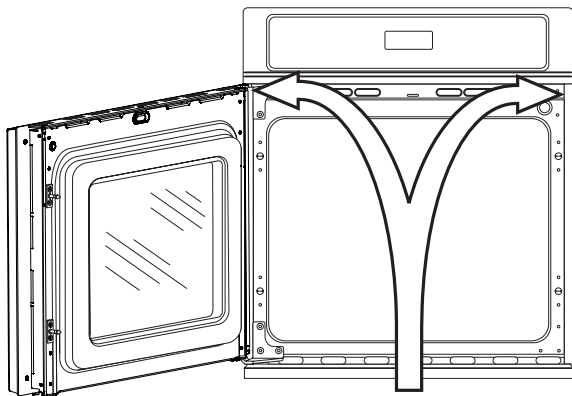
#### Heavy Weight Hazard

- Use 2 or more people to move and install wall oven.
- Failure to follow this instruction can result in injury or damage to the unit.

#### Install the Anti-Tip Mounting Screws:

**⚠ WARNING** The wall oven can tip when the door is open. The anti-tip mounting screws supplied with the wall oven must be installed to prevent tipping of the wall oven and injury to persons.

- 1 Unpack the wall oven. Remove the bottom trim taped on the oven side panel.
- 2 The mounting holes in the side trims may be used as a template to locate the appliance mounting screw holes (see figure 15).
- 3 Use the two screws supplied to fix the appliance to the cabinet.



Anti-Tip Mounting Holes  
Figure 15

- 4 Insert the oven into the cabinet opening. Slide oven inward leaving 1½" (3,8 cm) clearance between the oven and front of cabinet (see Figure 16). Pull the armored cable through the hole for it in the cabinet and toward the junction box while moving the appliance inward.

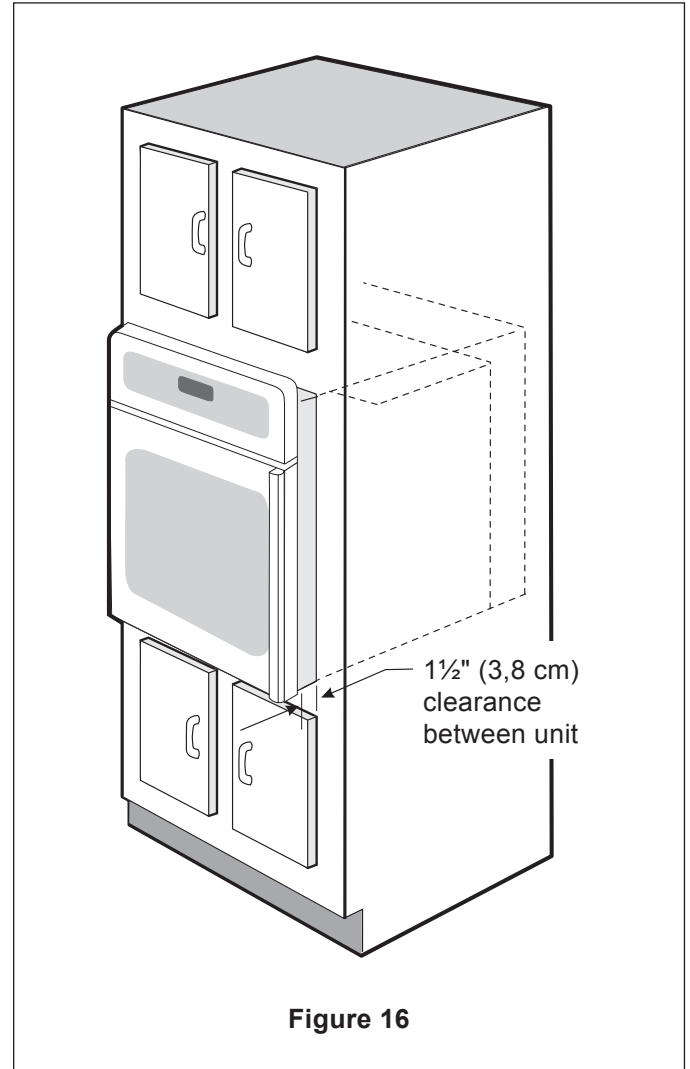


Figure 16

# ELECTRIC WALL OVEN INSTALLATION INSTRUCTIONS

(and Optional Electric or Gas Cooktop Combination)

5 Push the oven in and against the cabinet.

6 **Bottom Trim Installation:**

For a cutout height (H) greater than **28¼" (71,7 cm)** you can order a larger bottom trim, contact a Service Center.

Place the top of the bottom trim over the side trim tabs on each side of the oven below the oven door and fix it using the 2 screws supplied in the mounting holes located on each side trim below the oven frame (see figure 17).

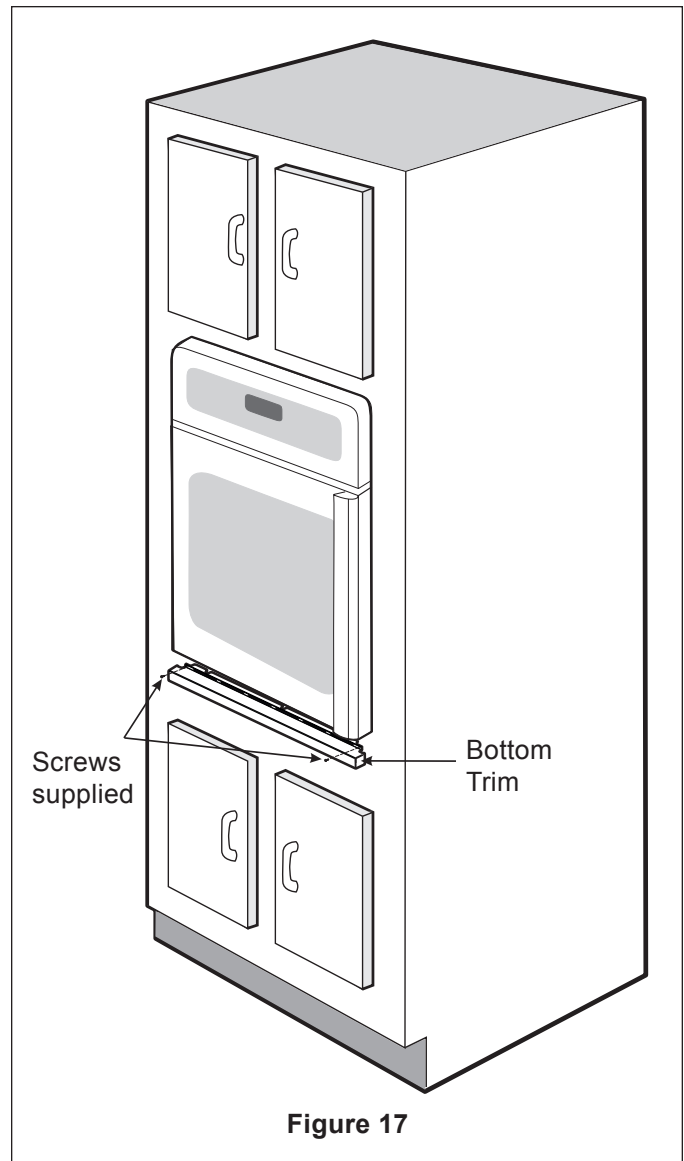


Figure 17



# ELECTRIC WALL OVEN INSTALLATION INSTRUCTIONS

(and Optional Electric or Gas Cooktop Combination)

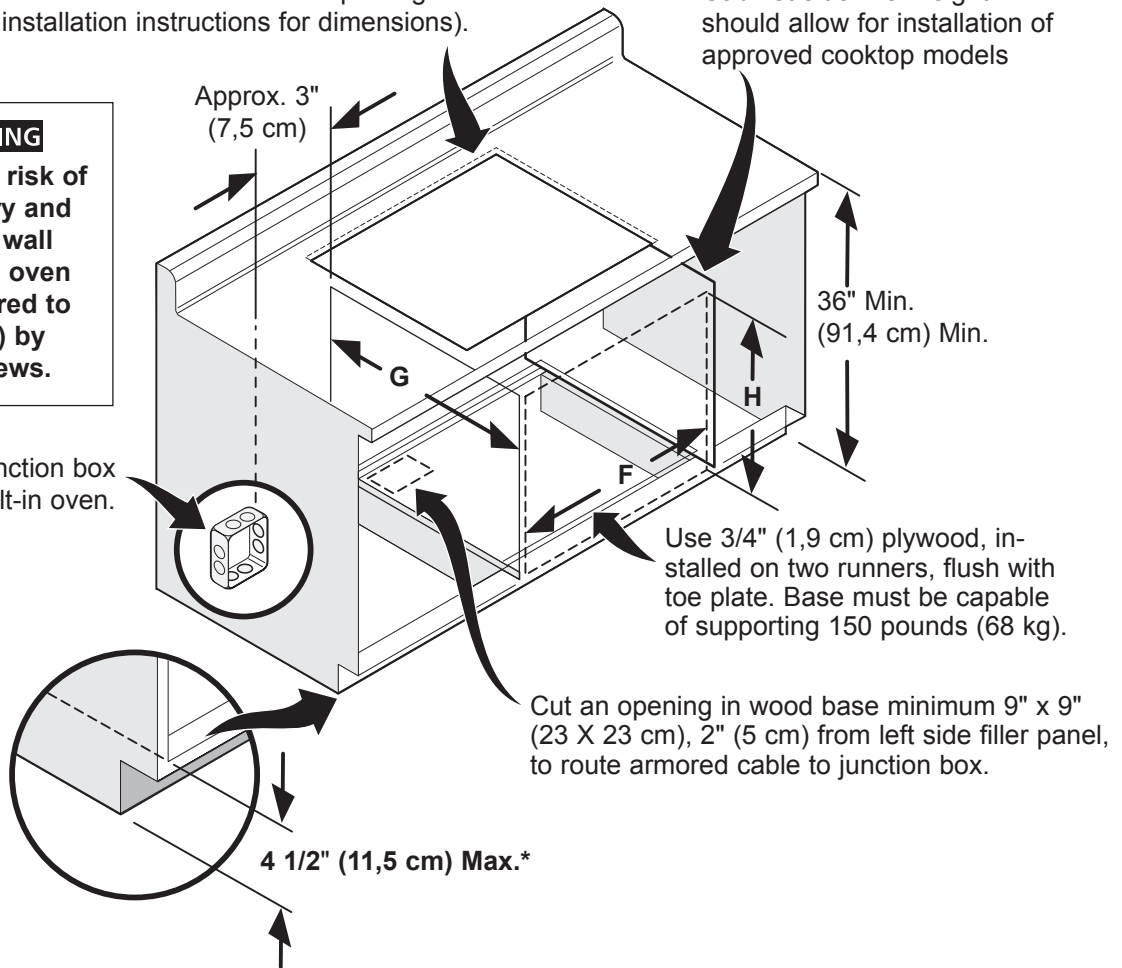
For typical under counter installation of an electric built-in oven see Figure below.

Only certain cooktop models may be installed over certain built-in electric oven models. Approved cooktops and built-in ovens are listed by the MFG ID number and product code (see the insert sheet included in the literature package and cooktop installation instructions for dimensions).

Cabinet side filler panels are necessary to isolate the unit from adjoining cabinets. Cabinet side filler height should allow for installation of approved cooktop models

**! WARNING**  
To reduce the risk of personal injury and tipping of the wall oven, the wall oven must be secured to the cabinet (s) by mounting screws.

208/240 Volt junction box for built-in oven.



\* If no cooktop is installed directly over the oven unit, 5" (12,7 cm) maximum is allowed above the floor.

CUTOUT DIMENSIONS		
F. WIDTH	G. DEPTH	H. HEIGHT
24 <sup>7</sup> / <sub>8</sub> " (63,2 cm) Min.	24" (61,0 cm) Min.	27 <sup>1</sup> / <sub>4</sub> " (69,2 cm) Min.
25 <sup>1</sup> / <sub>4</sub> " (64,1 cm) Max.		28 <sup>1</sup> / <sub>4</sub> " (71,7 cm) Max.

**Figure 18- TYPICAL UNDER COUNTER INSTALLATION OF A SINGLE ELECTRIC BUILT-IN OVEN WITH AN ELECTRIC COOKTOP MOUNTED ABOVE**

# ELECTRIC WALL OVEN INSTALLATION INSTRUCTIONS

(and Optional Electric or Gas Cooktop Combination)

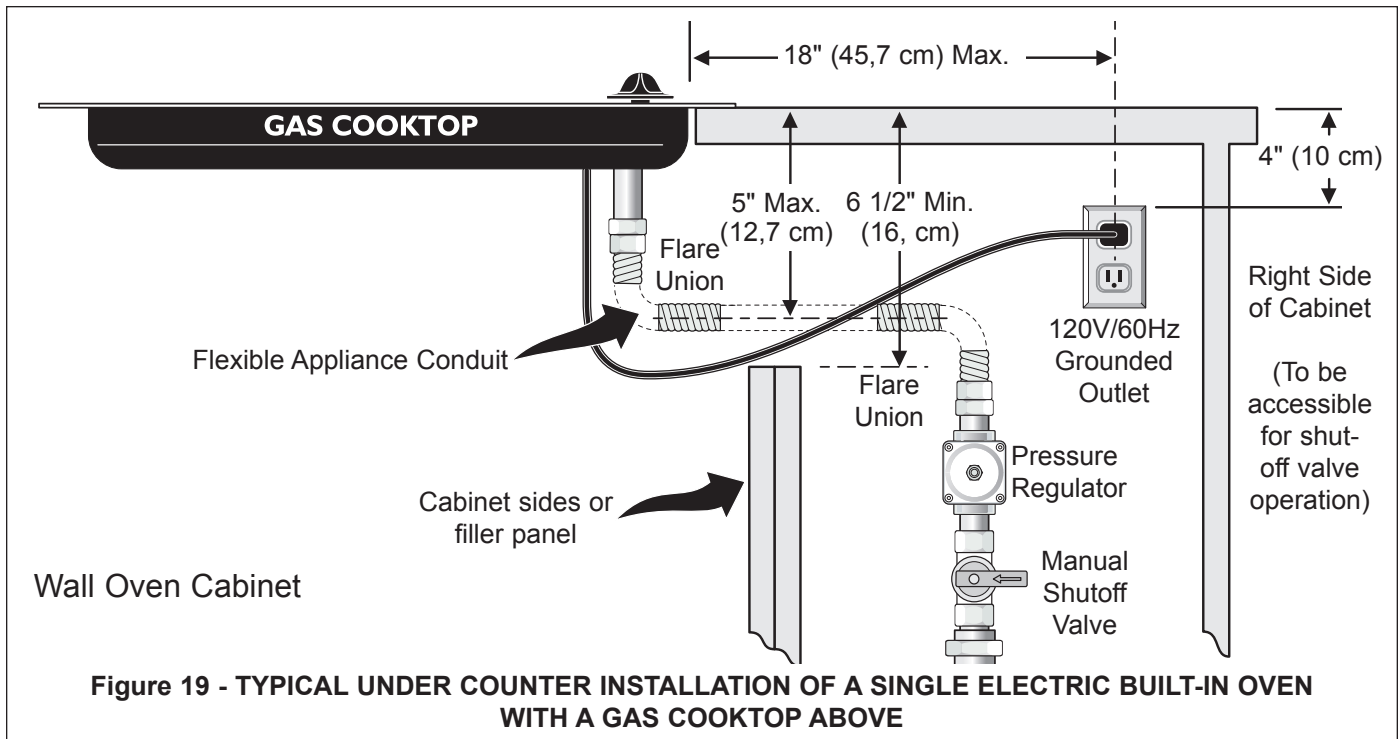


Figure 19 - TYPICAL UNDER COUNTER INSTALLATION OF A SINGLE ELECTRIC BUILT-IN OVEN WITH A GAS COOKTOP ABOVE

## 8. Leveling the Wall Oven

1. Install an oven rack in the center of the oven (see Figure 20).
2. Place a level on the rack. Take 2 readings with the level placed diagonally in one direction and then the other. Use wood shims under the wall oven to level if necessary.

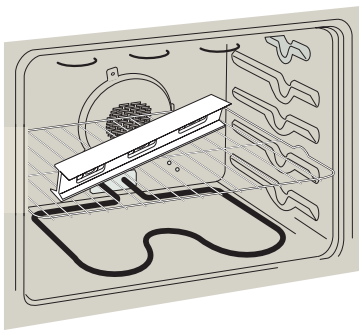


Figure 20

### IMPORTANT NOTE

A cooling fan inside the upper rear part above the oven (some models) provides cooling of the oven electrical and electronic components. If the oven has been operating at high temperatures, the fan will continue to run after the oven is turned off.

## 9. Checking Operation

Your model is equipped with an **Electronic Oven Control**. Each of the functions has been factory checked before shipping. However, it is suggested that you verify the operation of the electronic oven controls once more. Refer to the **Use and Care Guide** or the **Timer Guide** for operation.

1. Remove all items from the inside of the oven.
2. Turn on the power to the oven (Refer to your Use & Care Guide.)
3. Verify the operation of the electronic oven controls:
  - Bake**— Verify that this function makes the oven hot. 20 seconds after turning oven on, open the door and you should feel heat coming from the oven.
  - Broil**— When the oven is set to BROIL, the upper element in the oven should become red.
  - Convection (some models)**—When the oven is set for a convection baking or roasting, both elements cycle on and off alternately and the convection fan will run. The convection fan will stop running when the oven door is opened.

### Before You Call for Service

Read the "Before You Call for Service Checklist" and the "Operating Instructions" in your **Use and Care Guide**. It may save you time and expense. The list includes common occurrences that are not the result of defective workmanship or materials in this appliance.

Refer to your **Use and Care Guide** for service phone numbers.

# INSTRUCCIONES DE INSTALACIÓN PARA EL HORNO ELÉCTRICO DE PARED

(Combinado con una cocina eléctrica o de gas facultativa)

**LA INSTALACIÓN Y EL SERVICIO DEBEN SER EFECTUADOS POR UN INSTALADOR CALIFICADO.**

**IMPORTANTE: GUARDE ESTAS INSTRUCCIONES PARA USO DEL INSPECTOR LOCAL DE ELECTRICIDAD. LEA Y GUARDE ESTAS INSTRUCCIONES PARA REFERENCIA FUTURA.**

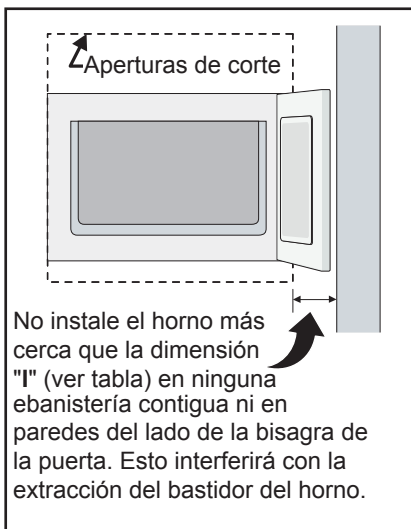
**⚠ ADVERTENCIA PARA SU SEGURIDAD:** No almanece ni utilice gasolina u otros vapores y líquidos inflamables en la proximidad de este o de cualquier otro artefacto.

El primer paso para su instalación debe de ser el de medir las dimensiones de la apertura y compararlas con las que se indican en el cuadro de dimensiones del hueco de la figura 1. Posiblemente encontrará que algún trabajo de carpintería será necesario.

Estados Unidos y Canadá



**⚠ ADVERTENCIA** No quite los separadores de los muros laterales o/y de la parte posterior del horno empotrado. Estos espaciadores centran el horno en el espacio provisto. El horno debe estar centrado para prevenir una concentración excesiva de calor que podría resultar en daños por el calor o un incendio.



\* Distancia sugerida desde el suelo es 31" (78,7 cm). La distancia mínima requerida es 4 ½" (11,4 cm).

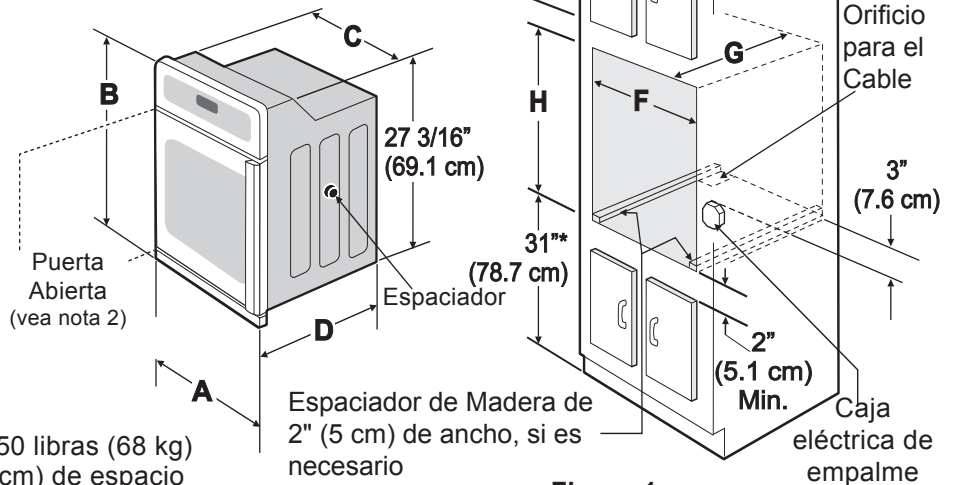


Figura 1

**NOTAS:**

1. La base debe poder sostener 150 libras (68 kg)
2. Deje por los menos 27 ¼" (69,2 cm) de espacio libre para la profundidad de la puerta cuando esta abierta.
3. La dimensión G (profundidad del corte) está primordial para instalar correctamente el horno de pared. Si el adorno del armazón del horno no topa contra el armario, o si escuche un ruido, verifique si la dimensión G está en conformidad con la dimensión requerida.
4. Para un corte de una altura mayor que 28 1/8" (71,4 cm) agregar una cuña de madera de 2" (5 cm) de ancho para lograr la altura apropiada a cada lado del orificio ubicado debajo de los rieles laterales del accesorio. Para un corte de una altura (H) mayor que 28 5/8" (72,7 cm) una moldura grande inferior puede ser pedido con su representante Servicio.

DIMENSIONES DEL APARATO					
A		B	C		D
27 (68,6)		29 (73,7)	24 5/8 (62,5)		24 3/4 (62,9)
DIMENSIONES DEL HUECO Y ANCHURA DEL ARMARIO					
F		G (Min.)	H. Altura estándar (Otras, vea nota 4)		I
Min.	Max.		Min.	Max.	
24 7/8 (63,2)	25 1/4 (64,1)	24 (61,0)	27 1/4 (69,2)	28 1/4 (71,7)	4 1/2 (11,4)

Todas las dimensiones se dan en pulgadas (cm).

# INSTRUCCIONES DE INSTALACIÓN PARA EL HORNO ELÉCTRICO DE PARED

(Combinado con una cocina eléctrica o de gas facultativa)

## Notas importantes para el instalador

1. Lea todas las instrucciones contenidas en este manual antes de instalar el horno.
2. Saque todo el material usado en el embalaje del compartimiento del horno antes de conectar el suministro eléctrico o de gas a la estufa.
3. Observe todos los códigos y reglamentos pertinentes.
4. Deje estas instrucciones con el consumidor.
5. La puerta del horno se puede retirar para facilitar la instalación.
6. **ESTE HORNO NO ESTÁ APROBADO PARA LA INSTALACIÓN APILABLE O DE LADO A LADO.**

## Nota importante al consumidor

Conserve estas instrucciones y el manual del usuario para uso del inspector local de electricidad y referencia futura.

## INSTRUCCIONES IMPORTANTES DE SEGURIDAD

- Asegúrese de que su horno de pared sea instalado y puesto a tierra de forma apropiada por un instalador calificado o por un técnico de servicio.
- Este horno de pared debe ser eléctricamente puesto a tierra de acuerdo con los códigos locales o, en su ausencia, con el Código Eléctrico Nacional ANSI/NFPA No. 70—última edición en los Estados Unidos, o el Código Eléctrico Canadiense CSA Standard C22.1, Part 1, en Canadá.

**⚠ ADVERTENCIA** Pisar, apoyarse, o sentarse sobre la puerta de este horno de pared puede causar serias lesiones y daños al horno de pared.

- **Nunca use su horno de pared para calentar una habitación.** El uso prolongado de la estufa sin la ventilación adecuada puede ser peligroso.

**⚠ ADVERTENCIA** La corriente eléctrica al horno debe estar apagada mientras se hacen las conexiones de líneas. Si no se apaga, daños serios o la muerte podrían resultar.

### 1. Carpintería

Consulte la Figura 1 para conocer las dimensiones pertinentes al su horno y al espacio necesario en el que poner el horno. La superficie donde se va a apoyar el horno debe de ser de madera contrachapada sólida u otro material similar y, sobre todo, la superficie tiene que estar a nivel, de lado a lado, y de atrás hacia adelante.

### 2. Ajuste de la altura del horno

La altura del horno se puede ajustar con cuñas de madera de 2" (5 cm) de ancho, donde sea necesario, para que quepa en un gabinete o abertura existente, cuando la altura del corte es superior a 28<sup>1</sup>/<sub>8</sub>" (71,4 cm) (ver la Figura 1). Para un corte de una altura mayor que

28<sup>1</sup>/<sub>4</sub>" (71,7 cm) una moldura grande inferior puede ser pedido con su representante Servicio.

## 3. Requerimientos Eléctricos

Se debe proveer el voltaje y la frecuencia apropiados a este electrodoméstico, y conectarse a un circuito individual correctamente puesto a tierra, protegido por un interruptor o un fusible. Para conocer el interruptor o fusible que requiere su modelo, vea la placa serial para encontrar la consumación del vatiaje y refiérase al cuadro A para encontrar el amperaje del interruptor o fusible.

Grados de vatios del electrodoméstico 240V	Se recomienda una protección al circuito	Grados de vatios del electrodoméstico 208V	Se recomienda una protección al circuito
Menos de 4800W	20A	Menos de 4100W	20A
4800W - 7200W	30A	4100W - 6200W	30A
7200W - 9600W	40A	6200W - 8300W	40A
9600W y +	50A	8300W y +	50A

Tabla A

### Observe todos los códigos que gobiernan y ordenanzas locales

1. Un cable de 3 o 4 alambres monofásico 120/240 o 120/208 voltios, 60 hertzios es la única fuente eléctrica que requiere en un circuito separado en ambos lados de la línea (alambre negro y alambre rojo) (se recomienda un fusible o un interruptor de retraso de tiempo). No funda a cable neutro (alambre blanco). Se debe de tener precaución al combinar un horno de pared y una cubierta, refiérase a la placa de serie de cada uno de los aparatos.

**NOTA:** Los tamaños y las conexiones del alambre deben conformarse con el tamaño del fusible y el grado de la aplicación de acuerdo con el código Eléctrico Nacional Americano ANSI/NFPA No. 70- última edición, o con el estándar CSA canadiense C22.1, código eléctrico canadiense, parte 1, y códigos y ordenanzas locales.

**⚠ ADVERTENCIA** No se deba usar extensiones para enchufar este electrodoméstico. Esto podría causar un incendio, choque eléctrico u otro tipo de daño personal.

2. Este electrodoméstico debe conectarse a la caja de fusibles (o de cortocircuito), por medio de un cable blindado flexible o un cable con forro no metálico. El cable blindado flexible que va desde el electrodoméstico debe de estar conectado directamente a la caja de empalme. La caja de empalme debe de estar localizada en el lugar que se indica en la Figura 1, dejando tanto exceso de cable como sea posible entre la caja y el electrodoméstico, de forma que así el electrodoméstico se pueda mover fácilmente, si fuera necesario para hacer una reparación.
3. Se debe de usar un conector que reduzca la tirantez de una forma adecuada para unir el cable blindado flexible a la caja de empalme.

# INSTRUCCIONES DE INSTALACIÓN PARA EL HORNO ELÉCTRICO DE PARED

(Combinado con una cocina eléctrica o de gas facultativa)

## ⚠ ADVERTENCIA

### Riesgo de choque eléctrico

- Una puesta a tierra se requiere en este aparato.
- No lo conecte a la corriente eléctrica hasta que el aparato haya sido puesto a tierra.
- Desconecte la corriente eléctrica a la caja de empalmes antes de hacer la conexión eléctrica.
- Este aparato debe estar conectado con un sistema de alambres puesto en tierra, metálico y permanente o un conector de puesta a tierra debe conectarse al terminal de puesta a tierra o el alambre conductor en el aparato.
- No utilice el suministro de gas para hacer la puesta a tierra.

La falta de cualquiera de las instrucciones mencionadas podría resultar en un incendio, choque eléctrico o lesiones personales.

**⚠ PRECAUCION** En cuanto a las condiciones de despacho y almacenamiento en el invierno, asegúrese de que el horno llegue a su destino final como mínimo tres (3) horas antes de encenderlo. Si se enciende el horno cuando aún está frío, se pueden dañar los controles.

## 4. Conexión eléctrica

El usuario tiene la responsabilidad personal y obligación de utilizar un instalador calificado, para asegurar que la instalación eléctrica está hecha de forma adecuada y está conforme con el Código Eléctrico Nacional ANSI/NFPA No. 70-última edición en los Estados Unidos, o el Código Eléctrico Canadiense CSA Standard C22.1, Part 1, en Canadá.

**⚠ ADVERTENCIA** Riesgo de choque eléctrico (El no prestar atención a esta advertencia puede resultar en electrocución u otras lesiones graves.) Este electrodoméstico está equipado con alambre de cobre. Si se va a conectar con cableado de aluminio del hogar, utilizar únicamente conectores que están aprobados para unir cobre y aluminio de acuerdo al Código Nacional Eléctrico (NEC por sus siglas en inglés) y leyes y códigos locales. Al instalar conectores con tornillos que empujen directamente contra el acero y/o aluminio del conducto flexible, no apretar los tornillos suficientemente que dañen el conducto flexible. No doblar de más o deformar el conducto flexible para evitar separar el espiral y descubrir los alambres internos.

NO conecte el alambre puesto a tierra a una tubería de suministro de gas. NO conecte el suministro de energía eléctrica hasta que el electrodoméstico haya sido permanentemente puesto a tierra. Conecte el alambre de puesta a tierra antes de enchufar por primera vez el electrodoméstico.

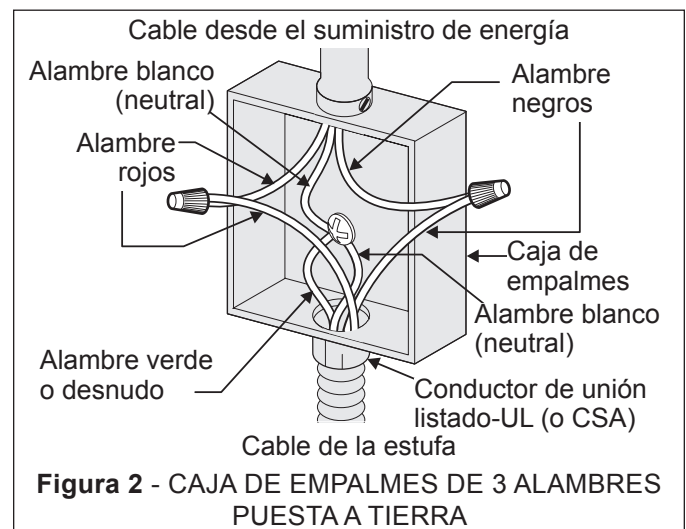
**⚠ ADVERTENCIA** (Si su electrodoméstico está equipado con un conductor neutro blanco.)

Este electrodoméstico está fabricado con un suministro eléctrico neutro blanco y un alambre de cobre conectado al armazón. El armazón está puesto a tierra por un enlace de la conexión a tierra con la conexión del neutro al final de la línea eléctrica, si es usado en los estados unidos una nueva instalación de circuito de bifurcación (1996 NEC), casa rodante, vehículos recreacionales, o donde los códigos locales no permitan poner a tierra mediante el neutro (blanco) o en Canadá, desconectar la conexión blanca de la verde y utilizar la conexión a tierra para poner a tierra la unidad de acuerdo a los códigos locales, conectar el neutro al circuito de bifurcación- conductor neutro de manera usual. Ver Figura 3. Si su electrodoméstico va a ser conectado a una caja de conexión puesta a tierra de 3 cables (en los estados unidos solamente), donde los códigos locales permitan conectar el conductor de poner a tierra-electrodoméstico con el neutro (blanco) ver Figura 2.

**NOTA AL ELECTRICISTA:** Los conductores de cable blindados provistos con este artefacto son aprobados por UL para la conexión al alambrado de casa de un calibre mayor. El aislamiento de los conductores está calificado para temperaturas más altas que las del alambrado de la casa. La capacidad de corriente del conductor está gobernada por la calificación de la temperatura del aislamiento alrededor del alambre en vez de solamente el calibre del alambre.

**Donde los códigos locales permitan conectar el conductor de puesta a tierra del electrodoméstico al neutral (blanco) (Solamente en los Estados Unidos) (vea figura 2):**

1. Desconecte el suministro eléctrico.
2. En el caja de juntas: conectar el aparato y los cables residenciales como se muestra en la figura 2.

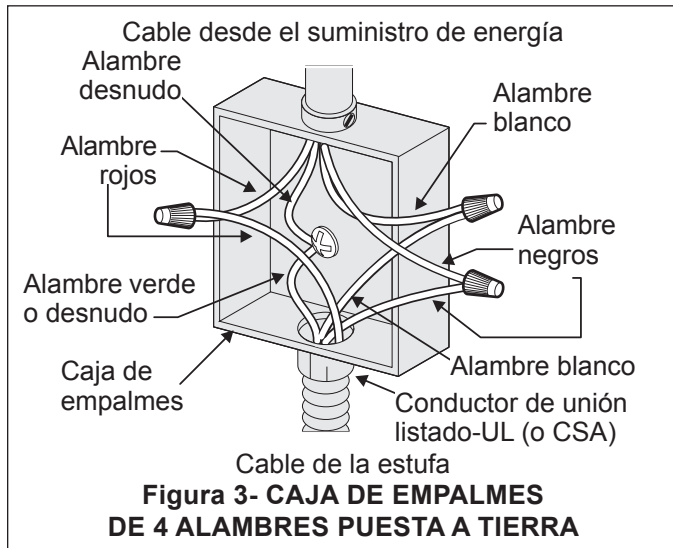


# INSTRUCCIONES DE INSTALACIÓN PARA EL HORNO ELÉCTRICO DE PARED

(Combinado con una cocina eléctrica o de gas facultativa)

Si el horno se usa en una instalación de circuito de ramal nuevo (1996 NEC), en una casa rodante, en un vehículo para recreación o si los códigos locales **NO** permiten la conexión a tierra a través del cable neutral (blanco), el armazón del electrodoméstico **NO TIENE QUE** estar conectado al alambre neutro del sistema eléctrico de 4 alambres. (ver figura 3):

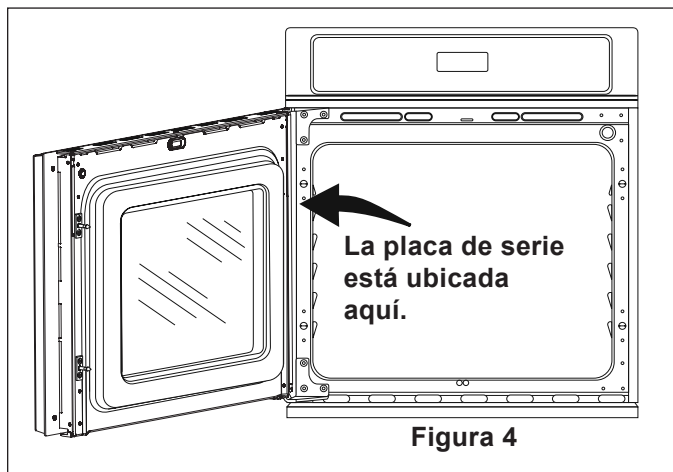
1. Desconecte el suministro eléctrico
2. Separe el alambre verde (o cobre desnudo) y el alambre blanco del electrodoméstico.
3. En el caja de juntas: conectar el aparato y los cables residenciales como se muestra en la figura 3.



## 5. Ubicación del número de modelo y de serie

La placa con el número de serie está ubicada en la guarnición interior lateral del horno y se puede ver cuando se abre la puerta.

Cuando haga pedidos de repuestos o solicite información con respecto a su horno, esté siempre seguro de incluir el número de modelo y de serie y el número o letra del lote de la placa de serie de su horno.



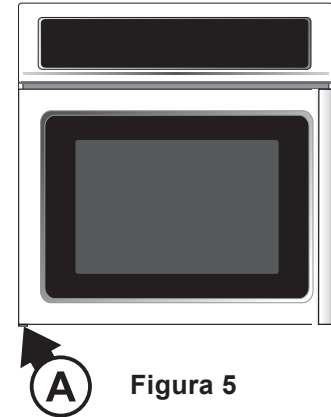
## 6. Procedimiento de inversión de apertura de puertas del horno

Este horno de pared puede modificarse fácilmente para apertura hacia la izquierda o hacia la derecha. Al recibir su electrodoméstico, la puerta está configurada para apertura hacia la izquierda. Es preferible invertir la apertura de la puerta antes de la instalación del horno de pared en el hueco del mueble. Si ya está instalado el horno de pared, quite los tornillos antiladeo y después tire del horno de pared hacia afuera aproximadamente 5 cm (2 pulgadas).

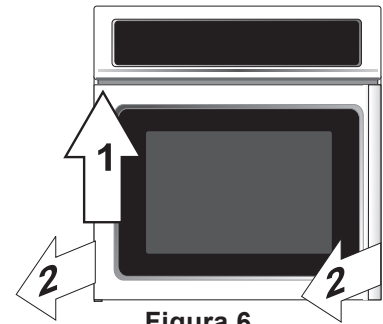
### 6.1 Quitar la puerta del horno del electrodoméstico.

Asegúrese de que la puerta del horno esté cerrada.

- 6.1.1. Desatornille y quite el pasador con rosca de la bisagra inferior (ver A, figura 5).

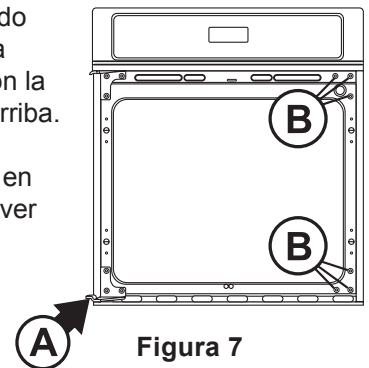


- 6.1.2. Sostenga y suba la puerta de manera que se libere el pasador de la bisagra inferior (Figura 6).



- 6.1.3. Quite la puerta del horno del electrodoméstico.

- 6.1.4. Coloque con cuidado la puerta sobre una mesa de trabajo con la agarradera hacia arriba.
- 6.1.5. Vuelva a instalar el pasador con rosca en su posición inicial (ver A, Figura 7).



### 6.2 Modificaciones al bastidor del horno

- 6.2.1. Quite los seis (6) tornillos y arandelas situados en el lado derecho del bastidor del horno (ver B, Figura 7). Guarde los tornillos y las arandelas para volver a colocarlos en el paso 6.2.5.

# INSTRUCCIONES DE INSTALACIÓN PARA EL HORNO ELÉCTRICO DE PARED

(Combinado con una cocina eléctrica o de gas facultativa)

- 6.2.2. Quite la bisagra inferior del lado izquierdo del bastidor del horno (ver **C**, Figura 8) y colóquela en el lado superior derecho del bastidor del horno (ver **E**, Figura 8).
- 6.2.3. Quite la bisagra superior del lado izquierdo del bastidor del horno (ver **D**, Figura 8) y colóquela en el lado inferior derecho del bastidor del horno (ver **F**, Figura 8).

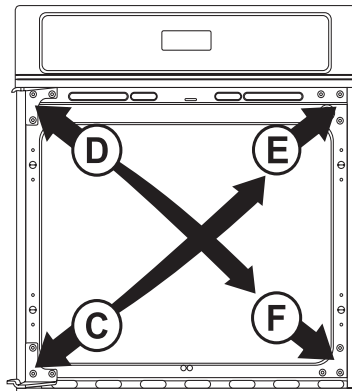


Figura 8

- 6.2.4. Desatornille y quite el pasador con rosca de la bisagra inferior izquierda (ver **G**, figura 9). Guarde el pasador con rosca para volver a montarlo luego.

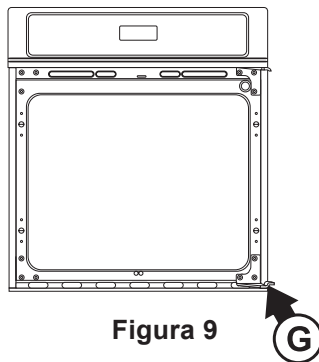


Figura 9

- 6.2.5. Vuelva a colocar los seis (6) tornillos y arandelas que quitó en el paso 1 en el lado izquierdo del bastidor del horno (ver **B**, Figura 10).

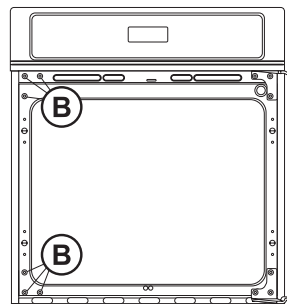


Figura 10

## 6.3 Modificaciones al bastidor del horno:

- 6.3.1. Quite los tres (3) tornillos, a cada lado, que sujetan el montaje exterior de la puerta (panel de puerta y agarradera). Quite también los cuatro (4) tornillos situados en la parte superior (2) y debajo del montaje exterior de la puerta (2) (ver H, Figura 11 (10 tornillos en total)).

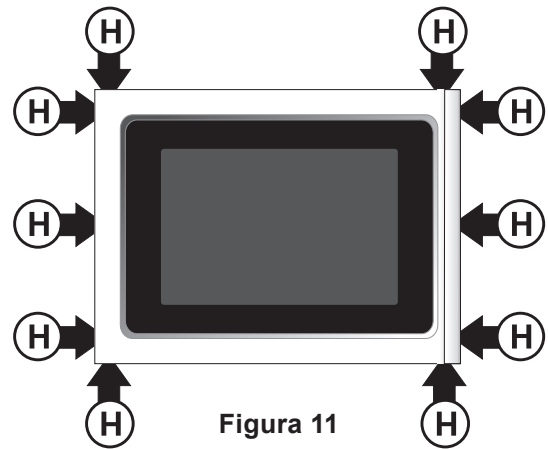


Figura 11

- 6.3.2. Para quitar el montaje exterior de la puerta, levante ligeramente el lado de la agarradera unos 30°. Deslice el montaje exterior de la puerta hacia fuera de las bisagras de la puerta (Figura 12).

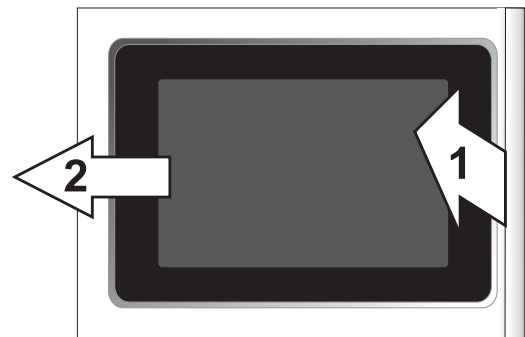


Figura 12

- 6.3.3. Coloque el montaje exterior de la puerta sobre una mesa de trabajo.
- 6.3.4. Gire la puerta interior para hacer que el interior de la puerta del horno esté hacia arriba.
- 6.3.5. Quite los cuatro (4) topes (ver I, Figura 13) situados en el lado izquierdo de la puerta interior. Guárdelos para el paso 6.3.11.
- 6.3.6. Quite los dos (2) topes de plástico (ver O, Figura 13) situados en el lado izquierdo de la puerta interior. Guárdelos para el paso 6.3.8.
- 6.3.7. Quite los dos (2) pasadores de pestillo (Posición N, Figura 13) situados en el lado izquierdo e instálelos en el lado derecho (Posición O, Figura 13).
- 6.3.8. Vuelva a colocar los dos (2) topes de plástico que quitó en el paso 6.3.6 de la derecha de la puerta interior (Posición N, Figura 13).
- 6.3.9. Desatornille la bisagra inferior del lado derecho y vuelva a colocarla en la posición superior del lado izquierdo (Ver K, Figura 13).
- 6.3.10. Haga lo mismo con la bisagra situada en la posición superior del lado derecho y vuelva a instalarla en la posición inferior del lado izquierdo (ver J, Figura 13).

# INSTRUCCIONES DE INSTALACIÓN PARA EL HORNO ELÉCTRICO DE PARED

(Combinado con una cocina eléctrica o de gas facultativa)

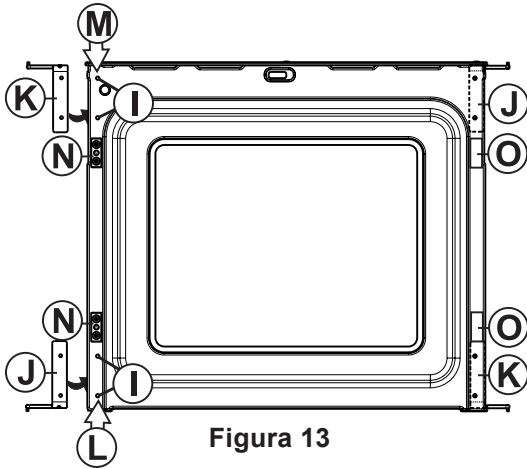


Figura 13

- 6.3.11. Vuelva a colocar los cuatro (4) topes que quitó en el paso 6.3.5 en el lado derecho de la puerta interior.
- 6.3.12. Gire la puerta interior para hacer que el interior de la puerta del horno esté hacia la mesa de trabajo.
- 6.3.13. Vuelva a colocar el montaje de la puerta de la puerta interior de manera inversa al paso 6.3.2.
- 6.3.14. Coloque el montaje exterior de la puerta utilizando los diez (10) tornillos que quitó en el paso 6.3.1 (ver H, Figura 11).

## 6.4 Volver a colocar la puerta del horno

- 6.4.1. Vuelva a colocar la puerta. Primero enganche el pasador de la bisagra superior de la puerta en la bisagra del bastidor del horno.
- 6.4.2. Una vez esté colocada la bisagra superior de la puerta, levante la puerta del horno de manera que se deje libre la bisagra del bastidor del horno y se pueda insertar el pasador de la bisagra inferior de la puerta en la bisagra inferior del bastidor del horno.
- 6.4.3. Cierre la puerta. **CUIDADO** No abra la puerta hasta que el pasador con rosca esté colocado.
- 6.4.4. Coloque el pasador con rosca en la bisagra inferior (ver G, figura 14).

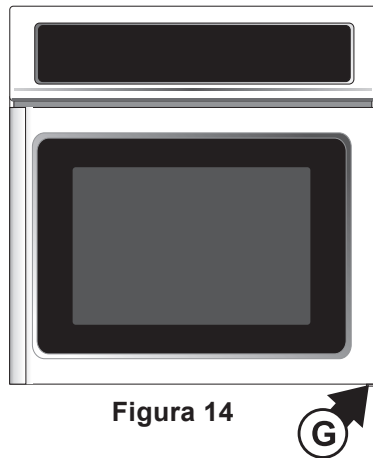


Figura 14

## 7. Instalación del Gabinete

### IMPORTANTE

No levante el horno por la manija de la puerta.

### ⚠ ADVERTENCIA

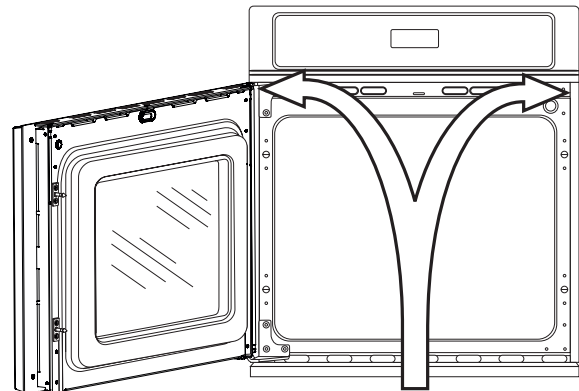
#### Peligro de Peso Pesado

- Use 2 personas o más para mover e instalar el horno de pared.
- Si no cumple con esta instrucción, puede resultar en lesiones personales o daños al horno de pared

### Instalación de los tornillos de montaje

**⚠ ADVERTENCIA** El horno de pared puede inclinarse cuando la puerta está abierta. Los soportes de montaje que vienen con el horno de pared deben estar que el horno de pared se incline y ocasione quemaduras graves.

- 1 Desembalar el horno de pared. Extraer la guarnición inferior con cinta al panel lateral del horno.
- 2 Los barrenos en las molduras laterales pueden ser usadas como guía para localizar los tornillos de montaje de la unidad (figura 15)
- 3 Use los dos tornillos proporcionados para colocar la unidad en la cabina.



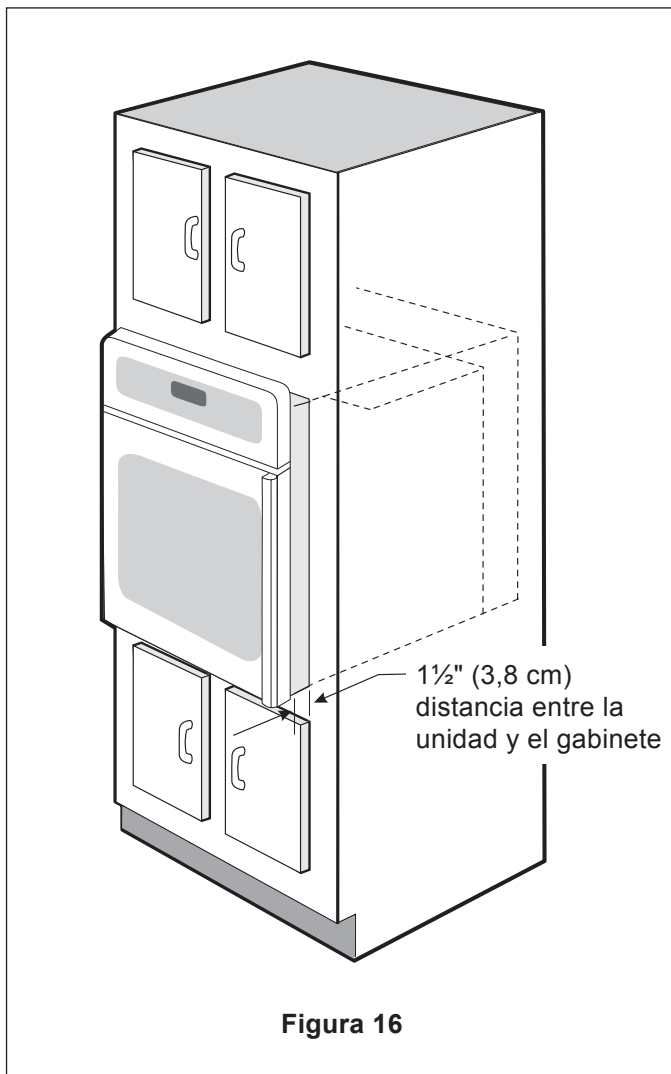
Tornillos de montaje  
Figura 15



# INSTRUCCIONES DE INSTALACIÓN PARA EL HORNO ELÉCTRICO DE PARED

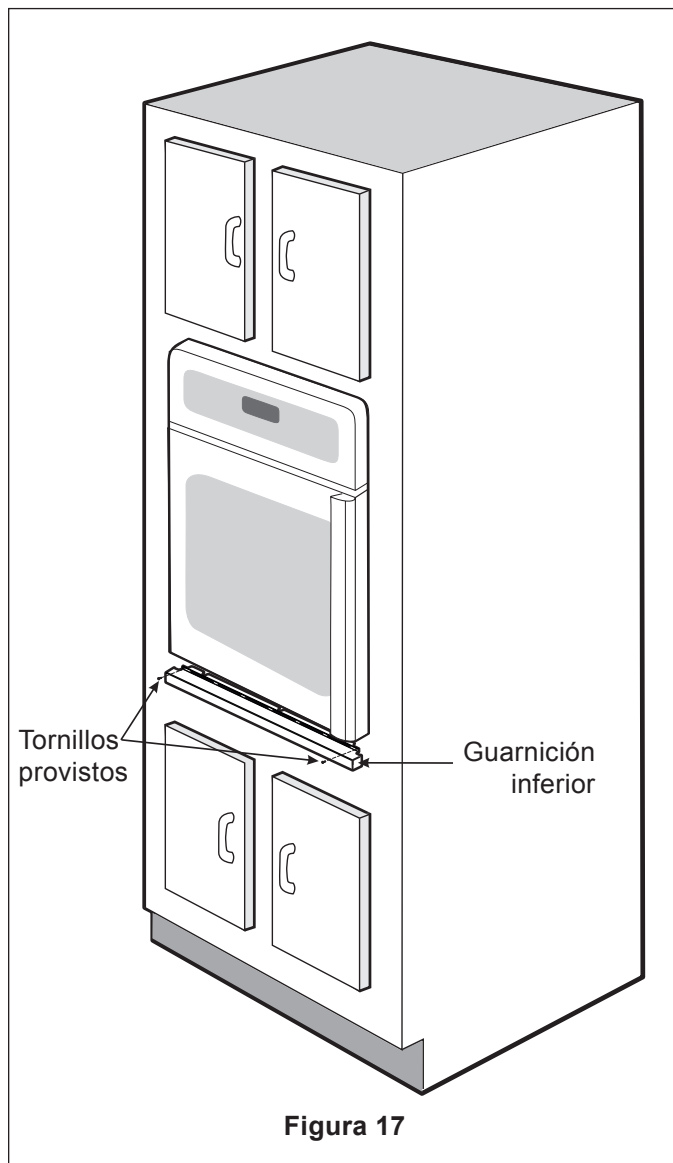
(Combinado con una cocina eléctrica o de gas facultativa)

- 4** Insertar el horno en la abertura del gabinete. Deslizar el horno hacia dentro dejando 1½" (3,8 cm) de espacio libre entre el horno y a parte delantera del gabinete (ver la figura 16) Empujar el cable blindado a través del orificio del gabinete y hacia la caja de paso mientras se desliza el accesorio hacia adentro.



- 5** Empujar el horno hacia adentro y en contra del gabinete
- 6** **Instalación de la Guarnición Inferior:** Para una altura (H) de corte superior a 28¼" (71,7 cm) puede pedir un ribete inferior mayor, póngase en contacto con Atención al Cliente.

Colocar la parte superior de la guarnición inferior sobre las lengüetas laterales del horno, debajo de la puerta del horno, y fijarlas usando los 2 tornillos provistos con los orificios de montaje ubicados a cada lado del marco del horno (ver la Figura 17).



# INSTRUCCIONES DE INSTALACIÓN PARA EL HORNO ELÉCTRICO DE PARED

(Combinado con una cocina eléctrica o de gas facultativa)

Para una instalación típica de un horno eléctrico incorporado debajo del mostrador, véase la figura 12.

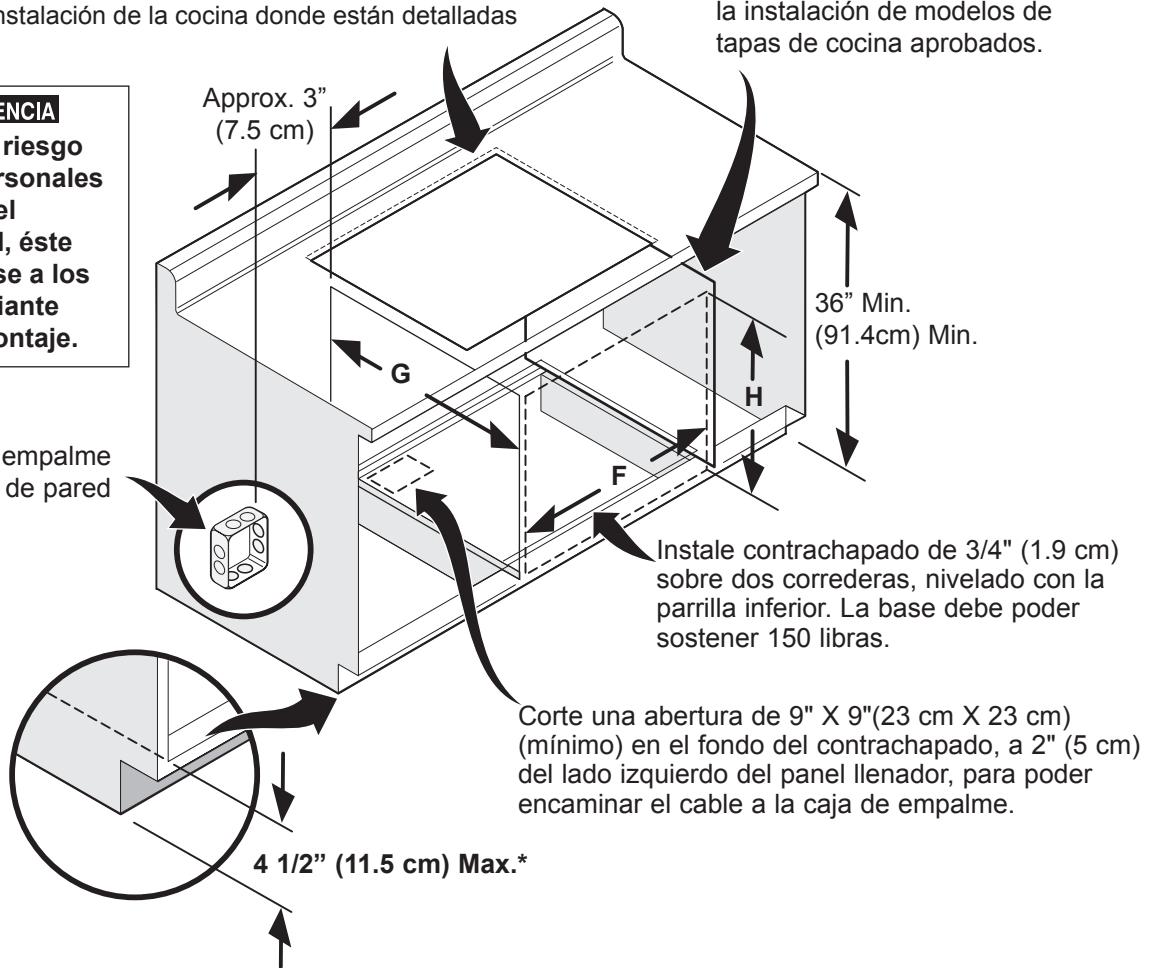
Sólo ciertos modelos de tapas de cocina se pueden instalar sobre ciertos modelos de hornos eléctricos empotrados. Las tapas de cocina y los hornos empotrados se mencionan por su número de identificación MFG ID y código de producto (ver la planilla que se incluye en el paquete de literatura y las instrucciones de instalación de la cocina donde están detalladas las dimensiones).

Los paneles de relleno laterales del gabinete son necesarios para aislar la unidad de los gabinetes adyacentes. La altura del relleno lateral del gabinete debe permitir la instalación de modelos de tapas de cocina aprobados.

### ADVERTENCIA

Para reducir el riesgo de lesiones personales y inclinación del horno de pared, éste debe asegurarse a los gabinetes mediante soportes de montaje.

208/240 caja de empalme para hornos de pared



Instale contrachapado de 3/4" (1.9 cm) sobre dos correderas, nivelado con la parrilla inferior. La base debe poder sostener 150 libras.

Corte una abertura de 9" X 9" (23 cm X 23 cm) (mínimo) en el fondo del contrachapado, a 2" (5 cm) del lado izquierdo del panel llenador, para poder encaminar el cable a la caja de empalme.

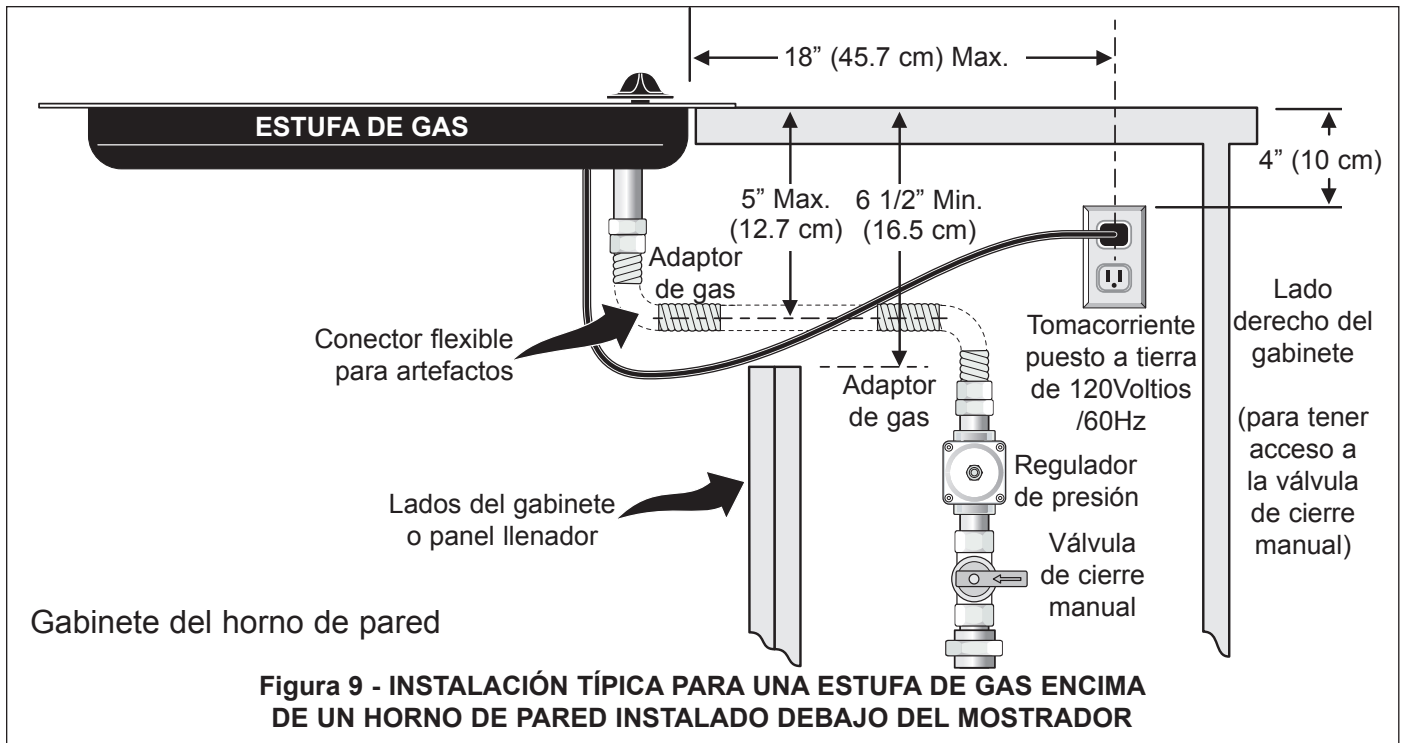
4 1/2" (11.5 cm) Max.\*

\* Si no se instala ninguna tapa de cocina directamente sobre la unidad del horno, se permite un espacio máximo de 5" (12,7 cm) sobre el piso.

DIMENSIONES DE ABERTURA		
F. ANCHURA	G. PROFUNDIDAD	H. ALTURA
24 <sup>7</sup> / <sub>8</sub> " (63.2 cm) Min.	24" (61.0 cm) Min.	27 <sup>1</sup> / <sub>4</sub> " (69.2 cm) Min.
25 <sup>1</sup> / <sub>4</sub> " (64.1 cm) Max.		28 <sup>1</sup> / <sub>4</sub> " (71.7 cm) Max.

**Figura 8 – INSTALACIÓN TÍPICA DEBAJO DE LA MESADA DE HORNO SIMPLE EMPOTRADO CON TAPA DE COCINA MONTADA**

# INSTRUCCIONES DE INSTALACIÓN PARA EL HORNO ELÉCTRICO DE PARED (Combinado con una cocina eléctrica o de gas facultativa)



## 8. Asegúrese de que el horno de pared está a nivel

1. Instale una rejilla al centro del horno superior (vea la Figura 14).
2. Ponga un nivel por encima de la rejilla. Lea 2 veces, una vez con el nivel a la posición de lado a lado, y otra vez de atrás hacia adelante. Utilice trozo de madera o cuñas por debajo del horno de pared para nivelar, si sea necesario.

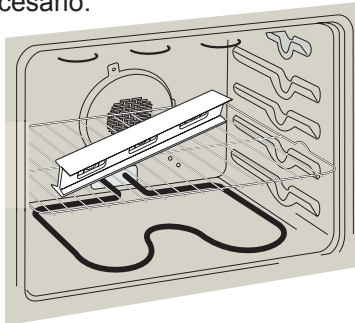


Figura 14

### IMPORTANTE

Un ventilador ubicado dentro de la parte trasera superior arriba del horno (en algunos modelos) permite la refrigeración de los componentes eléctricos y electrónicos de enfriamiento. Si el horno ha estado funcionando a altas temperaturas, el ventilador seguirá funcionando después de apagar el horno.

## 9. Verificación del funcionamiento

Su modelo está equipado con un **Control Electrónico de Horno**. Cada una de las funciones ha sido controlada en fábrica antes del despacho. Sin embargo, le sugerimos verificar el funcionamiento de los controles electrónicos una vez más. Consulte la **Guía de Uso y Cuidado** o la **Guía del controles** para ver el funcionamiento del horno.

1. Extraer todos los elementos de la parte interior del horno.
2. Encender el horno (Consultar la Guía de Uso y Cuidado.)
3. Verificar el funcionamiento de los controles electrónicos del horno:

**Hornear** – Verificar que esta función caliente el horno. Veinte minutos después de encender el horno, abrir la puerta y ver si se siente que el calor emana desde su interior.

**Asar** – Cuando se pone el horno para asar, el elemento de arriba del horno debe de ponerse rojo.

**Convección (algunos modelos)** – Cuando se configura el horno para horneado o asado por convección, los dos elementos se encienden y apagan en forma alterna y se enciende el ventilador. El ventilador de convección dejará de funcionar cuando se abre la puerta del horno durante el horneado o asado por convección.

### Antes de llamar al servicio

Lea la sección Lista de Control de Averías en su Manual del Usuario. Esto le podrá ahorrar tiempo y gastos. Esta lista incluye ocurrencias comunes que no son el resultado de defectos de materiales o fabricación de este artefacto.

Lea la garantía y la información sobre el servicio en su **Manual del Usuario** para obtener el número de teléfono gratuito.

# INSTRUCTIONS D'INSTALLATION POUR FOUR ENCASTRÉ ÉLECTRIQUE

(Combiné à une table de cuisson électrique ou à gaz (en option))

États-Unis et  
Canada



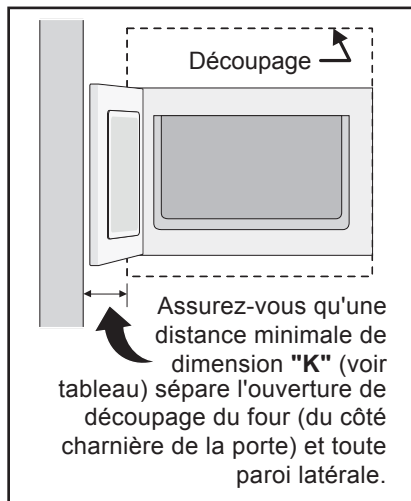
**L'INSTALLATION ET L'ENTRETIEN DOIVENT ÊTRE EFFECTUÉS PAR UN INSTALLATEUR QUALIFIÉ.**

**IMPORTANT: CONSERVEZ POUR L'INSPECTEUR D'ÉLECTRICITÉ LOCAL. LIRE ET CONSERVER CES INSTRUCTIONS POUR RÉFÉRENCES FUTURES.**

**⚠ AVERTISSEMENT** POUR VOTRE SÉCURITÉ: N'entreposez pas ou n'utilisez pas d'essence ou d'autres produits inflammables à proximité de cet appareil ou de tout autre appareil électroménager.

Votre nouveau four encastré a été conçu pour s'ajuster à différentes dimensions de découpage et en faciliter l'installation. La première étape de votre installation consiste à mesurer les dimensions du découpage actuel et, à les comparer au tableau de dimensions de découpage ci-dessous. Vous découvrirez peut-être que peu ou pas de modification sera nécessaire.

**⚠ AVERTISSEMENT** N'enlevez pas les entretoises sur les parois latérales et/ou à l'arrière du four. Ces entretoises centrent le four dans l'espace fourni. Le four doit être centré pour prévenir une accumulation excessive de chaleur pouvant causer un feu ou des dommages.



\* La distance suggérée du plancher est 31" (78,7 cm). La distance minimale requise est 4 1/2" (11,4 cm).

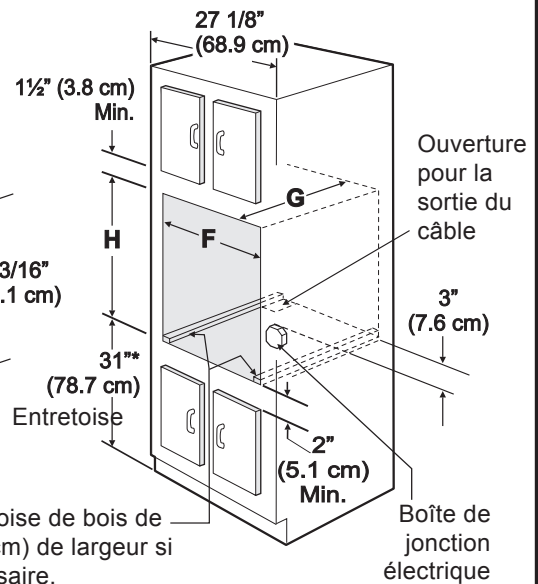
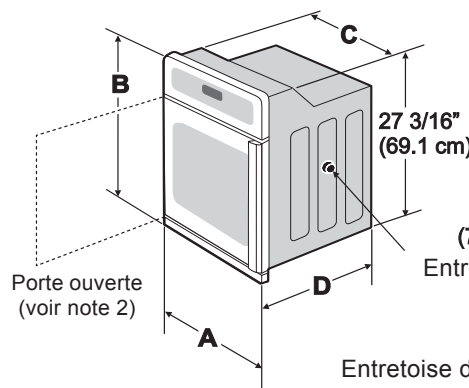


Figure 1

**NOTES:**

1. La base doit pouvoir supporter 150 lbs (68 kg).
2. Allouez au moins 27 1/4" (69,2 cm) d'espace à l'avant du four pour permettre l'ouverture complète de la porte.
3. La dimension G (profondeur du découpage) est critique pour une bonne installation du four. Si la moulure inférieure du four ne vient pas s'appuyer contre l'armoire ou si un bruit se fait entendre, vérifier la dimension G pour vous assurer qu'elle est correcte.
4. Si la hauteur du découpage est plus grande que 28 1/8" (71,4 cm) ajoutez une entretoise de bois de 2" (5 cm) de largeur et de hauteur appropriée de chaque côté de l'appareil. Si la hauteur du découpage (H) est plus grande que 28 5/8" (72,7 cm) vous pouvez commander une moulure inférieure plus large en communiquant avec un centre de service.

DIMENSIONS DE L'APPAREIL					
A		B	C		D
27 (68,6)		29 (73,7)	24 5/8 (62,5)		24 3/4 (62,9)
DIMENSIONS DE DÉCOUPAGE ET DE L'ARMOIRE					
F		G (Min.)	H. Hauteur standard (autres, voir note 4)		I
Min.	Max.		Min.	Max.	
24 7/8 (63,2)	25 1/4 (64,1)	24 (61,0)	27 1/4 (69,2)	28 1/4 (71,7)	4 1/2 (11,4)

# INSTRUCTIONS D'INSTALLATION POUR FOUR ENCASTRÉ ÉLECTRIQUE

(Combiné à une table de cuisson électrique ou à gaz (en option))

## Installateur

1. Lisez toutes les instructions contenues dans ce feuillet avant l'installation du four encastré.
2. Enlevez tout le matériel d'emballage du four avant de procéder au raccordement électrique.
3. Observez tous les codes et règlements applicables.
4. Assurez-vous de laisser ces instructions au consommateur.
5. **CE FOUR N'EST PAS HOMOLOGUÉ POUR UNE INSTALLATION CÔTE-À-CÔTE OU SUPERPOSÉE.**

## Consommateur

Conservez ces instructions avec votre Manuel d'utilisation et d'entretien pour l'inspecteur d'électricité local et références futures.

## DIRECTIVES IMPORTANTES DE SÉCURITÉ

- **Assurez-vous que votre four encastré est installé et mis à la terre conformément par un installateur ou un technicien de service qualifié.**
- **Ce four encastré doit être mis à la terre conformément aux codes locaux d'électricité ou, en l'absence de codes, en conformité avec le National Electrical Code ANSI/NFA No. 70, dernière édition aux États-Unis, ou avec la norme CSA C22.1, Partie 1, au Canada.**

**⚠ AVERTISSEMENT** Grimper, s'appuyer ou s'asseoir sur la porte de ce four encastré peut entraîner des blessures graves et peut aussi causer des dommages au four encastré.

- **N'utilisez jamais votre four encastré pour chauffer ou réchauffer la pièce.** L'utilisation prolongée du four encastré sans ventilation adéquate peut être dangereuse.

**⚠ AVERTISSEMENT** Il faut couper l'alimentation électrique durant le montage des connexions électriques. À défaut de ce faire il peut en résulter des blessures graves ou la mort.

## 1. Travaux de menuiserie

Reportez-vous à la figure 1 pour établir quelles sont les dimensions applicables à votre modèle, ainsi que l'espace nécessaire pour recevoir l'appareil. La surface qui supporte l'appareil doit être en contre-plaqué solide ou tout autre matériau du même type. Il faut vous assurer que la surface est de niveau d'un côté à l'autre et de l'avant à l'arrière.

## 2. Réglage de la hauteur du four encastré

Lorsque requis, ce four peut être ajusté en hauteur avec une entretoise en bois d'une largeur de 2" (5 cm) pour en permettre l'installation dans le découpage existant d'une armoire, si la hauteur du découpage excède la dimension **28<sup>1</sup>/<sub>8</sub>" (71,4 cm)** (voir la figure 1). Placez l'entretoise de hauteur appropriée de chaque côté de l'ouverture sous l'appareil. Si la hauteur du découpage (**H**) est plus grande que **28<sup>1</sup>/<sub>4</sub>" (71,7 cm)** vous pouvez commander une moulure inférieure plus large en communiquant avec un centre de service.

## 3. Exigences électriques

Ces appareils doivent être branchés à une alimentation possédant la tension et la fréquence appropriées. Ils doivent être connectés à un circuit dédié correctement mis à la terre et protégé par un disjoncteur ou un fusible. Pour savoir quel disjoncteur ou fusible utiliser avec cet appareil, référez-vous à la plaque signalétique pour connaître la consommation (watts) et avec cette donnée, consultez la table A pour connaître l'ampérage requis du disjoncteur ou du fusible.

Calibre de l'appareil (Watts) 240V	Circuit de protection recommandé	Calibre de l'appareil (Watts) 208V	Circuit de protection recommandé
Moins de 4800W	20A	Moins de 4100W	20A
4800W - 7200W	30A	4100W - 6200W	30A
7200W - 9600W	40A	6200W - 8300W	40A
9600W et +	50A	8300W et +	50A

Table A

**Observez tous les règlements et les codes locaux applicables.**

1. Un câble électrique à 3 ou 4 fils de 120/240 ou 120/208 Volt monophasé, 60 Hz CA est requis sur un circuit séparé muni d'un fusible sur chaque fil conducteur (fusible temporisé ou disjoncteur recommandé). **NE RELIEZ PAS** de fusible au neutre. Il faut tenir compte de l'ajout d'une plaque de cuisson superposée au four encastré. Référez-vous à la plaque signalétique de chaque unité.

**NOTE:** Le calibre des fils et leurs connexions doivent être conformes à la capacité des fusibles et à la capacité nominale de l'appareil, selon le National Electrical Code ANSI/NFPA No. 70, dernière édition, ou selon la norme canadienne de CSA C22.1, Partie 1, du Code canadien de l'électricité et les codes et les règlements locaux.

**⚠ AVERTISSEMENT** N'utilisez pas de rallonge électrique avec ces appareils. Son utilisation peut causer un feu, un choc électrique ou des blessures corporelles.

# INSTRUCTIONS D'INSTALLATION POUR FOUR ENCASTRÉ ÉLECTRIQUE

(Combiné à une table de cuisson électrique ou à gaz (en option))

- Il faut brancher l'appareil au panneau de distribution en utilisant des câbles flexibles à gaine métallique ou non métallique. On doit brancher directement à la boîte de jonction le câble gainé flexible de l'appareil. Il faut disposer la boîte de jonction tel qu'illustré à la Figure 1 en laissant autant de lâche que possible dans le câble entre la boîte et l'appareil, pour en faciliter le déplacement si l'entretien s'avère nécessaire.
- Une attache de protection sécuritaire doit retenir le câble armé flexible à la boîte de jonction.

## **⚠ AVERTISSEMENT**

### **Risque de choc électrique**

- La mise à la terre de cet appareil est obligatoire.
- Ne branchez pas l'appareil au circuit électrique tant qu'il ne sera pas mis à la terre correctement et en permanence.
- Coupez l'alimentation à la boîte de jonction avant de faire les raccords électriques.
- Cet appareil doit être connecté à un circuit permanent électrique, métallique et mis à la terre, ou à un connecteur de mise à la terre qui doit être branché à la borne ou au fil de mise à la terre de l'appareil.
- N'utilisez pas un tuyau d'alimentation de gaz pour la mise à la terre de l'appareil.

Si vous ne respectez pas toutes les instructions précédentes, un feu, des blessures corporelles ou un choc électrique peuvent en résulter.

**⚠ ATTENTION** Par temps froid, pour protéger la commande du four, il faut attendre au moins trois (3) heures à la température de la pièce avant de mettre l'appareil sous tension. Ceci évitera toute possibilité d'endommager la commande du four lors de la mise sous tension.

## 4. Connexions électriques

Le consommateur est responsable et doit communiquer avec un installateur qualifié pour s'assurer que l'installation électrique est adéquate et conforme avec le National Electrical Code ANSI/NFPA No. 70-dernière édition, ou avec la norme CSA C22.1, partie 1, du code canadien de l'électricité, et les codes et règlements locaux.

**⚠ AVERTISSEMENT** Risque de choc électrique (Si cet avertissement n'est pas pris en considération, un choc électrique ou des blessures sérieuses peuvent survenir). Cet appareil est muni de fils en cuivre. Si ce dernier est branché à circuit résidentiel en aluminium, n'utilisez que des connecteurs qui sont approuvés pour joindre des fils de cuivre à des fils d'aluminium conformément

au National Electrical Code et les codes et règlements locaux. Lors de l'installation des connecteurs munis de vis touchant directement l'acier ou l'aluminium de conduit flexible, il ne faut pas serrer celles-ci outre mesure afin d'éviter d'endommager le conduit flexible. Il ne faut ni plier ni tordre outre mesure un conduit flexible de manière à éviter un bris dans la gaine et une exposition des fils ou câbles internes.

NE connectez pas le fil de mise à la terre à un tuyau d'alimentation de gaz. Ne branchez pas l'appareil au circuit électrique avant qu'il soit mis à la terre correctement, en permanence. Branchez le conducteur de mise à la terre avant de mettre l'appareil sous tension.

**⚠ AVERTISSEMENT** (Si votre appareil possède un câble muni d'un conducteur blanc neutre.) Cet appareil est fabriqué avec un câble d'alimentation muni d'un fil blanc neutre et d'un fil de mise à la terre en cuivre branché sur le châssis. Si l'appareil est utilisé, aux États-Unis, dans une maison mobile, un nouveau branchement (1996 NEC), un véhicule récréatif où les codes locaux n'autorisent pas la connexion du conducteur de mise à la terre du châssis au neutre ou au Canada, débranchez les fils blanc et vert des autres et utilisez le fil de mise à la terre pour mettre à la terre l'appareil conformément aux codes locaux, branchez le conducteur neutre de manière habituelle au circuit neutre voir la figure 3. Si l'appareil doit être branché à un câble à 3 fils (aux États-Unis seulement), où les codes locaux permettent la connexion du fil de mise à la terre du châssis au neutre (blanc). Voir la figure 2.

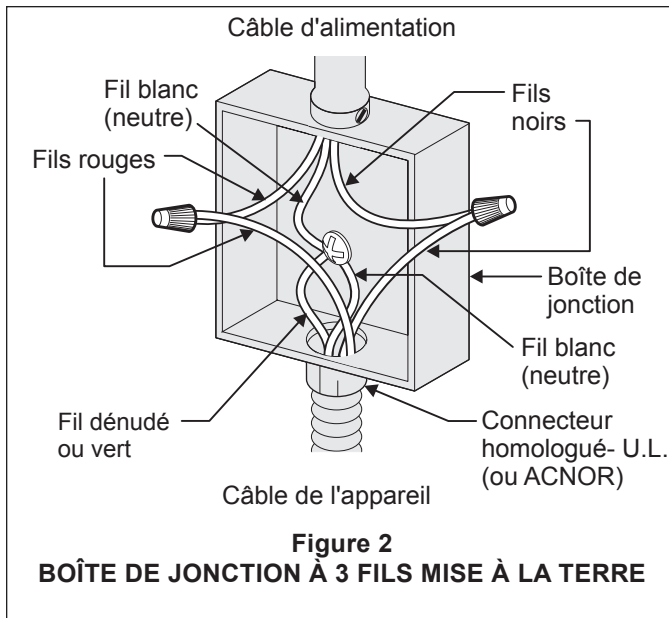
**ÉLECTRICIEN:** Le câble gainé fourni avec cet appareil est homologué par UL pour connexion à des circuits résidentiels de fils de calibre supérieur. La capacité thermique de l'isolant des câbles excède considérablement celle des circuits résidentiels. La transmission du courant électrique maximum permise des fils du câble est en fonction de la capacité thermique de la gaine plutôt que du calibre du fil.

**Si les codes locaux permettent la connexion du fil de mise à la terre du châssis au neutre (blanc) (aux États-Unis seulement) (voir figure 2):**

1. Coupez l'alimentation à la boîte de jonction.
2. Dans la boîte de jonction:  
Raccordez les fils de l'appareil à ceux du circuit électrique tel que montré à la figure 2.

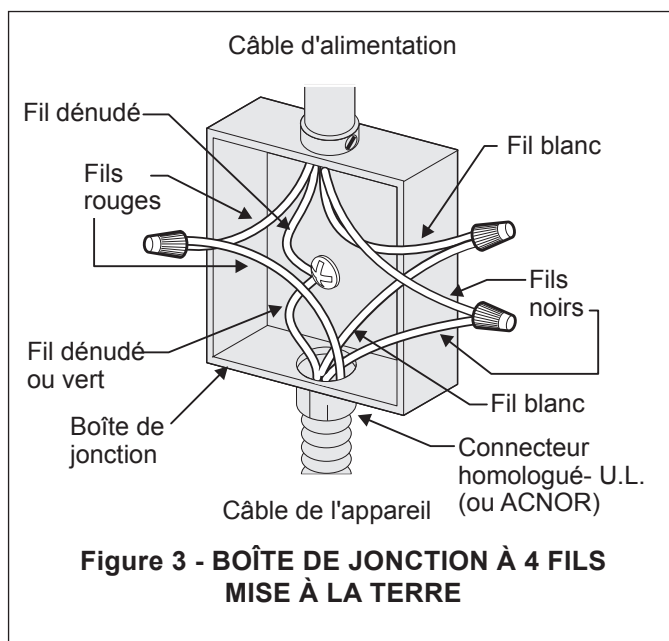
# INSTRUCTIONS D'INSTALLATION POUR FOUR ENCASTRÉ ÉLECTRIQUE

(Combiné à une table de cuisson électrique ou à gaz (en option))



Si l'appareil est utilisé dans une maison mobile, un nouveau branchement (1996 NEC), un véhicule récréatif ou si les codes locaux N'AUTORISENT PAS la connexion du conducteur de mise à la terre du châssis au neutre, le châssis de l'appareil NE DOIT PAS être branché au fil neutre du câble à 4 fils (voir le figure 3):

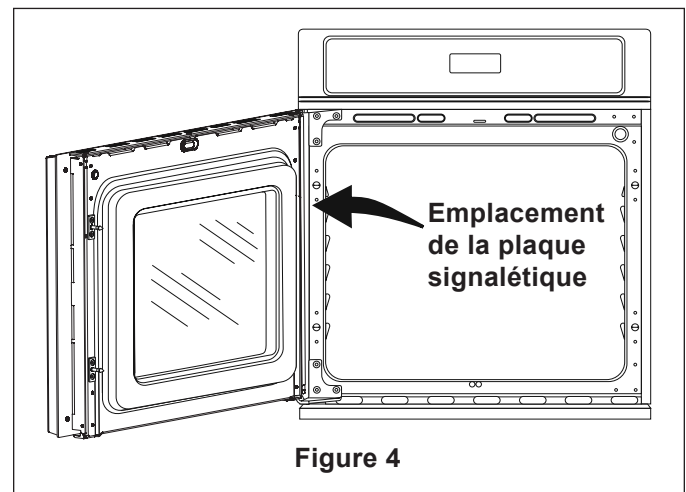
1. Coupez l'alimentation à la boîte de jonction.
2. Séparez le fil blanc du fil dénudé en cuivre de mise à la terre du câble d'alimentation de l'appareil.
3. Dans la boîte de jonction:  
Raccordez les fils de l'appareil à ceux du circuit électrique tel que montré à la figure 3.



## 5. Emplacement des numéros de modèle et de série

La plaque signalétique est située sur le côté intérieur de la moulure latérale.

Pour toute commande de pièces ou demande de renseignement au sujet de votre appareil, assurez-vous d'inclure les numéros de modèle et de série, ainsi que le numéro ou lettre de lot de la plaque signalétique de votre four.



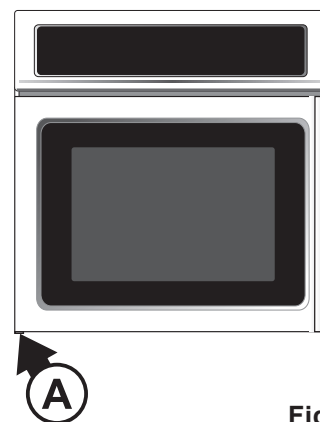
## 6. Modification de l'ouverture de la porte du four

La porte de ce four à encastrer peut être facilement modifiée pour s'ouvrir vers la droite ou vers la gauche. Lorsque vous recevez l'appareil, la porte du four s'ouvre vers la gauche. Il est préférable d'inverser, si nécessaire, la porte du four avant d'installer le four dans l'armoire. Si l'appareil est déjà installé dans l'armoire, enlevez les vis de fixation et retirez l'appareil de l'armoire d'environ 2 pouces (5 cm).

### 6.1 Pour retirer la porte de l'appareil

Assurez-vous que la porte du four est fermée.

- 6.1.1. Enlevez la vis du pivot situé en bas du côté de la charnière (Voir A, Figure 5).



# INSTRUCTIONS D'INSTALLATION POUR FOUR ENCASTRÉ ÉLECTRIQUE

(Combiné à une table de cuisson électrique ou à gaz (en option))

- 6.1.2. Soulevez la porte afin de dégager le pivot de la charnière inférieure (Figure 6).

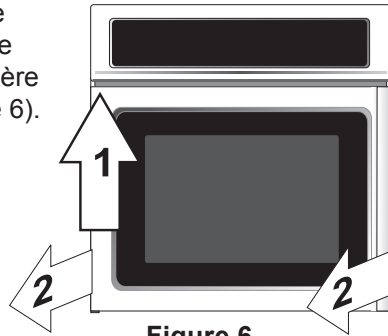


Figure 6

- 6.1.3. Retirez la porte de l'appareil.  
 6.1.4. Déposez la porte sur une surface de travail la poignée vers le haut.  
 6.1.5. Remplacez la vis du pivot (Voir A, Figure 7) à sa position initiale sur la charnière.

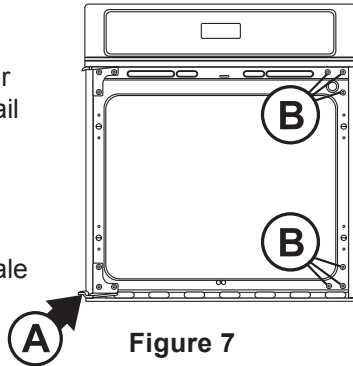


Figure 7

## 6.2 Modification de l'encadrement

- 6.2.1. Enlevez les six (6) vis et rondelles du côté droit de l'encadrement (Voir B, Figure 7). Conservez ces vis pour les réinstaller à l'étape 6.2.5.  
 6.2.2. Enlevez la charnière de l'encadrement située du côté gauche en bas de l'encadrement (Voir C, Figure 8) et installez-la du côté opposé soit du côté droit en haut de l'encadrement (Voir E, Figure 8).  
 6.2.3. Procédez de la même façon pour la charnière de l'encadrement située en haut à gauche (Voir D, Figure 8), retirez-la de l'encadrement et réinstallez-la du côté opposé soit du côté droit en bas (Voir F, Figure 8).

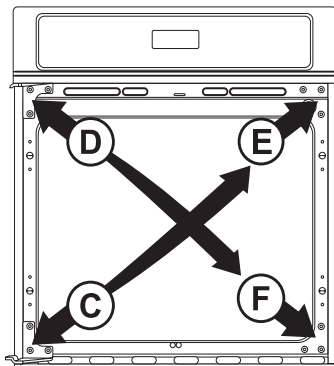


Figure 8

- 6.2.4. Enlever la vis du pivot (Voir G, Figure 9) située sur la charnière de l'encadrement en bas à droite. Conservez-la pour la réinstaller à la toute fin.

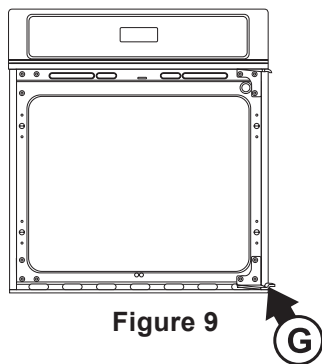


Figure 9

- 6.2.5. Remplacez les six (6) vis et rondelles, enlevées à l'étape 1, du côté opposé de l'encadrement soit à gauche (Voir B, Figure 10).

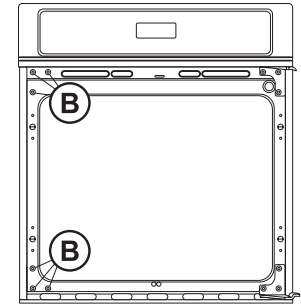


Figure 10

## 6.3 Modification de la porte du four

- 6.3.1. De chaque côté de la porte, sous le panneau de verre, enlevez les 3 vis retenant l'assemblé panneau de verre et poignée à la partie interne de la porte. Enlevez aussi les 4 vis situées sur la partie inférieure et supérieure de la porte de façon à pouvoir enlever l'assemblé panneau de verre et poignée de la partie interne de la porte (Voir H, Figure 11 (10 vis en tout)).

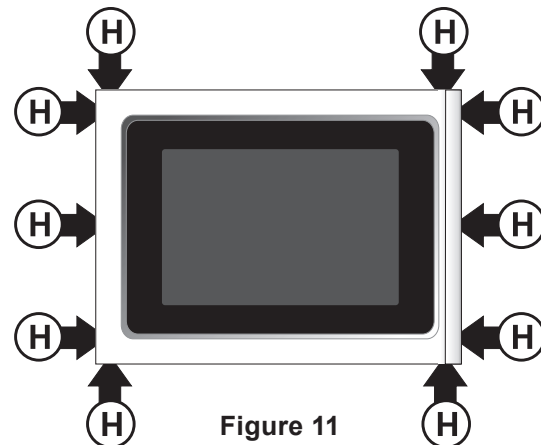


Figure 11

- 6.3.2. Pour enlever le panneau de verre, placez-vous du côté de la poignée et soulevez légèrement (d'environ 30°) cette partie vers le haut. Faites glisser l'assemblé du côté opposé de façon à dégager l'assemblé panneau de verre et poignée de la partie interne de la porte (Figure 12).

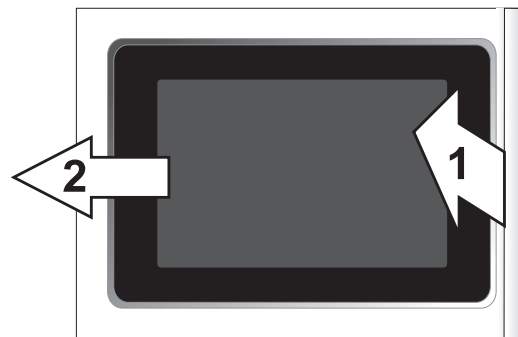


Figure 12



# INSTRUCTIONS D'INSTALLATION POUR FOUR ENCASTRÉ ÉLECTRIQUE

(Combiné à une table de cuisson électrique ou à gaz (en option))

- 6.3.3. Déposez l'assemblé panneau de verre sur une surface solide et sécuritaire.
- 6.3.4. Retournez la partie interne de la porte afin que l'intérieur de la porte du four se trouve vers le haut.
- 6.3.5. Enlevez les 4 bouchons (Voir **I**, Figure 13) situés du côté gauche de la partie interne de la porte. Conservez-les pour l'étape 6.3.11.
- 6.3.6. Enlevez les 2 bouchons (Voir **O**, Figure 13) situés du côté droit la partie interne de la porte. Conservez-les pour l'étape 6.3.8.
- 6.3.7. Enlevez les 2 tenons (Voir **N**, Figure 13) situés du côté gauche de la partie interne de la porte et installez-les de l'autre côté (Voir **O**, Figure 13).
- 6.3.8. Installez les 2 bouchons, enlevés à l'étape 6.3.6, de l'autre côté de la partie interne de la porte (Voir **N**, Figure 13).
- 6.3.9. Dévissez la charnière située en bas à droite de la partie interne de la porte et installez-la en haut à gauche (Voir **K**, Figure 13).
- 6.3.10. Dévissez la charnière située en haut à droite de la partie interne de la porte et installez-la en bas à gauche (Voir **J**, Figure 13).

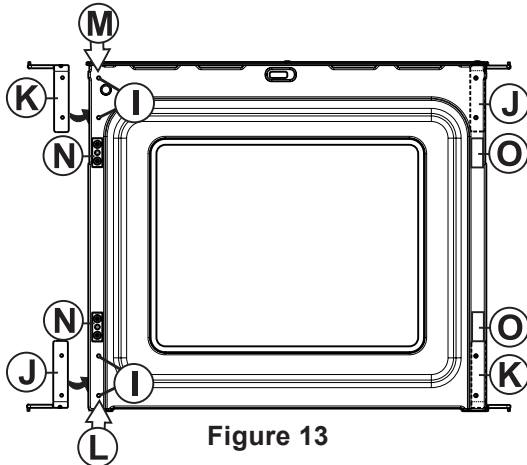


Figure 13

- 6.3.11. Installez les 4 bouchons, enlevés à l'étape 6.3.5, de l'autre côté de la partie interne de la porte.
- 6.3.12. Retournez la partie interne de la porte pour que l'intérieur se trouve vers la surface solide pour permettre l'installation de l'assemblé panneau de verre et poignée.
- 6.3.13. Remplacez l'assemblé panneau de verre et poignée sur la partie interne de la porte du four en procédant à l'inverse de l'étape 6.3.2.
- 6.3.14. Fixez l'assemblé panneau de verre et poignée à l'aide des 10 vis enlevées à l'étape 6.31 (Voir **H**, la figure 11).

## 6.4 Réinstallation de la porte sur l'appareil

- 6.4.1. Placez la porte sur l'appareil en alignant la charnière supérieure de la porte dans le pivot du haut.

- 6.4.2. Une fois la charnière insérée dans le pivot soulevez la porte afin de permettre à la charnière inférieure de la porte de s'insérer dans le pivot du bas.

- 6.4.3. Fermez la porte.  
**ATTENTION** n'essayez pas d'ouvrir la porte tant que la vis du pivot n'est pas fixée.

- 6.4.4. Fixez la vis du pivot (Voir **G**, Figure 14).

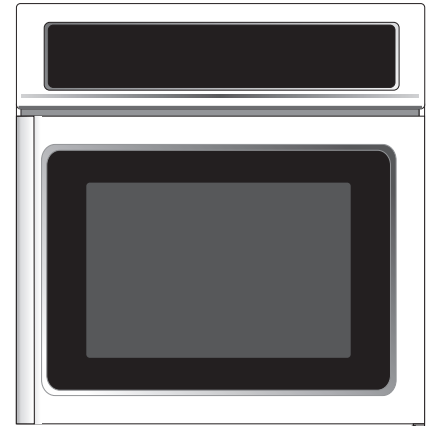


Figure 14



## 7. Installation dans l'armoire

### IMPORTANT

Ne soulevez pas l'appareil par la poignée de la porte

### ⚠ AVERTISSEMENT

#### Risque de lourde charge

- Soyez 2 personnes ou plus pour installer ou déplacer l'appareil.
- Des blessures ou des dommages à l'appareil peuvent survenir si vous ne suivez pas cette instruction.

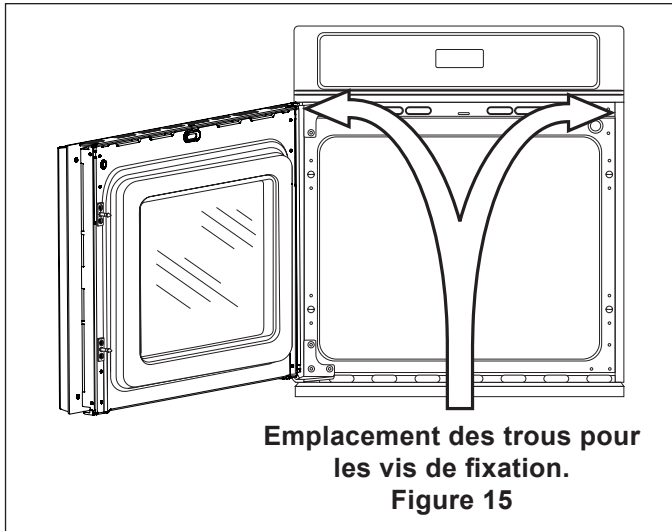
### Installation des vis de fixation:

**⚠ AVERTISSEMENT** Le four à encastrer peut basculer lorsque la porte est ouverte. Les vis de fixation fournies avec l'appareil doivent être installées afin de prévenir les risques de basculer et de blessures aux personnes.

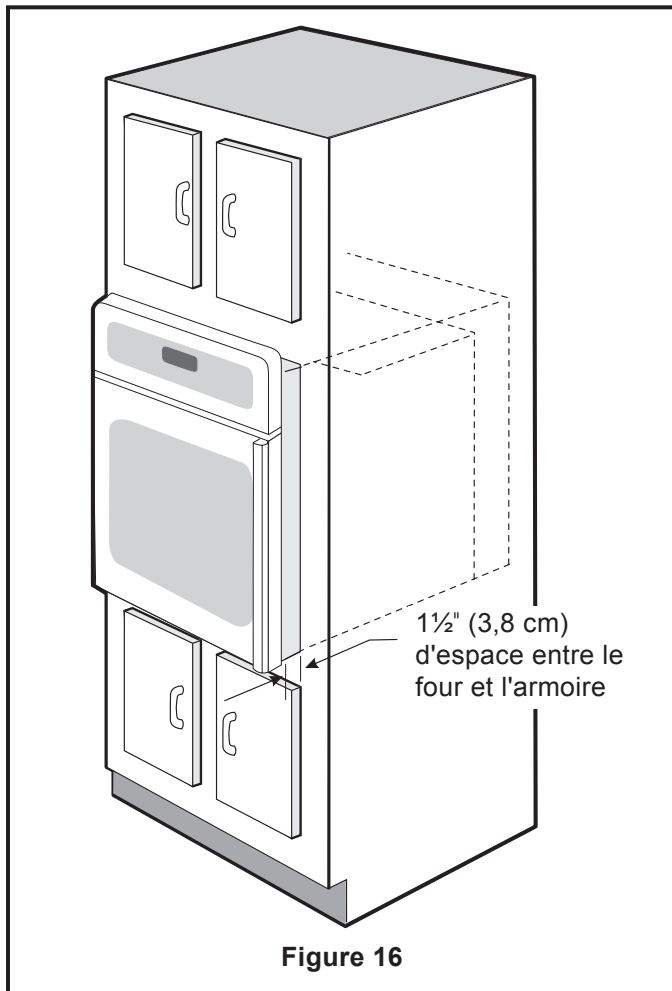
- 1 Déballer le four encastré. Récupérez la moulure inférieure qui est fixée sur le côté du four.
- 2 Les trous situés sur les moulures latérales dont utilisés comme guide pour installer les vis de fixation de l'appareil (Figure 15).
- 3 Utilisez les deux vis de fixation fournies avec le four pour fixer ce dernier à l'armoire.

# INSTRUCTIONS D'INSTALLATION POUR FOUR ENCASTRÉ ÉLECTRIQUE

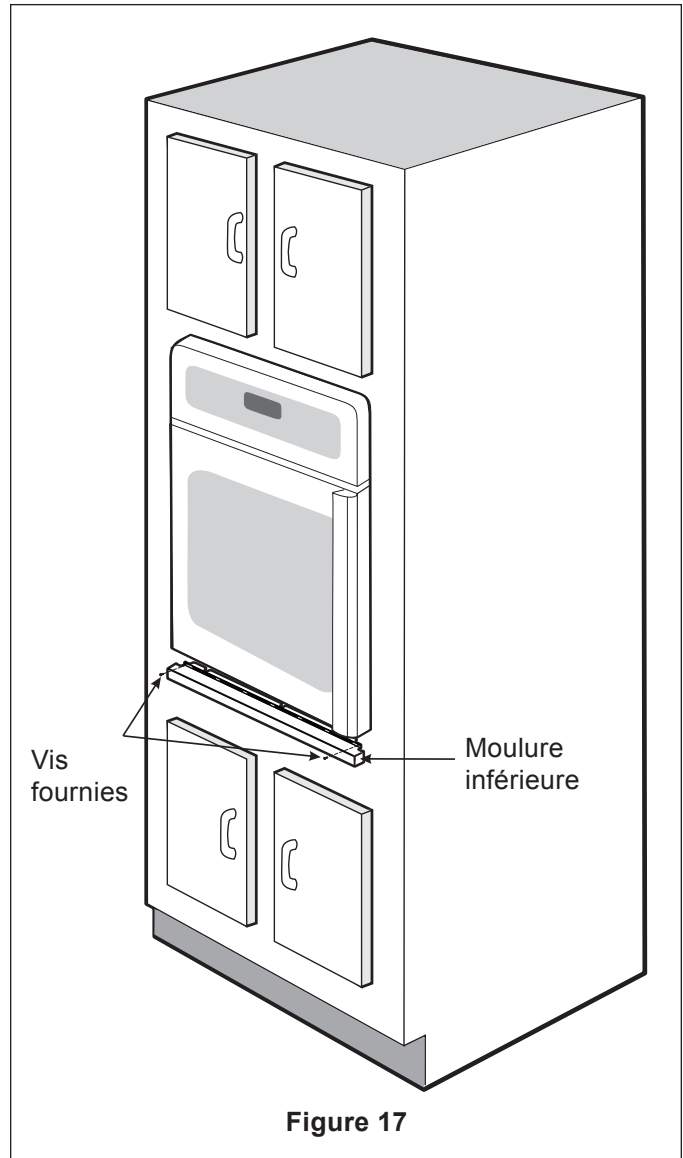
(Combiné à une table de cuisson électrique ou à gaz (en option))



- 4** Insérez le four dans l'armoire. Glissez-le en laissant  $1\frac{1}{2}$ " (3,8 cm) d'espace entre le four et l'armoire (voir Figure 6). Tirez le câble d'alimentation et passez-le par le trou dans l'armoire pour le diriger vers la boîte de connexion en finissant d'encaster le four à l'armoire.



- 5** Poussez le four dans l'armoire.
- 6** **Installation de la moulure inférieure:**  
Pour une hauteur de découpage (**H**) supérieure à  $28\frac{1}{4}$ " (71,7 cm) une moulure inférieure plus large doit être commandé, contactez un centre de service.  
Placez le haut de la moulure inférieure par dessus les petites languettes de chaque côté du four encastré, sous la porte. Vissez la moulure dans les trous situés de chaque côté de l'appareil en utilisant les vis fournies avec la moulure (voir la figure 17).



# INSTRUCTIONS D'INSTALLATION POUR FOUR ENCASTRÉ ÉLECTRIQUE

(Combiné à une table de cuisson électrique ou à gaz (en option))

L'installation typique d'un four encastré électrique sous le comptoir est présentée à la figure qui suit.

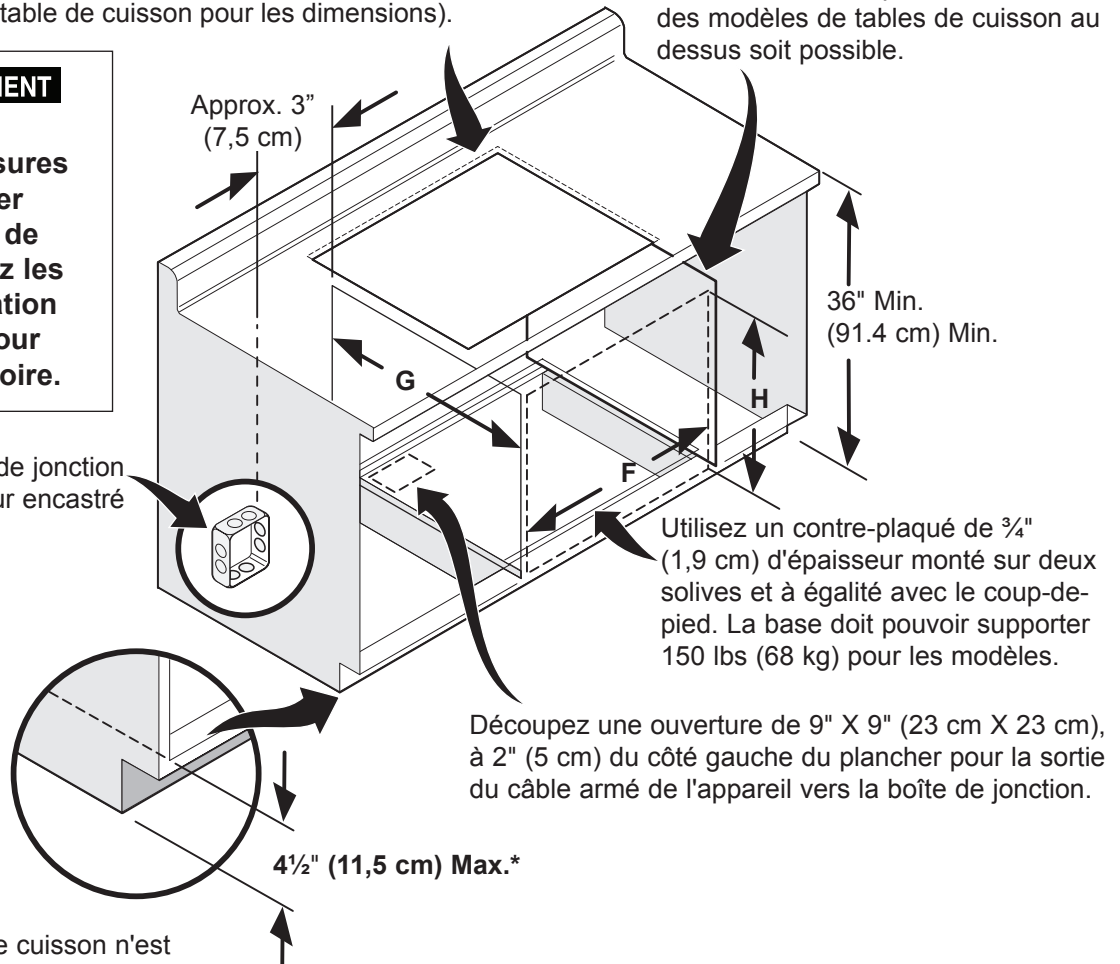
Seulement certains modèles de tables de cuisson peuvent être installés au-dessus de certains modèles de fours encastrés. Les modèles approuvés pour être combinés sont identifiés à l'aide d'un numéro MGF ID et d'un code de produit (Consultez la feuille qui se trouve dans l'enveloppe de littérature ainsi que le feuillet d'instructions d'installation de la table de cuisson pour les dimensions).

Il faut fermer les côtés de l'habitacle par des panneaux de bois pour isoler l'appareil des armoires de chaque côté. La hauteur de ces panneaux doit faire en sorte que l'installation des modèles de tables de cuisson au dessus soit possible.

## ⚠ AVERTISSEMENT

**Pour réduire les risques de blessures et pour empêcher le four encastré de basculer. Utilisez les supports de fixation pour retenir le four encastré à l'armoire.**

208/240 Volt, boîte de jonction pour le four encastré



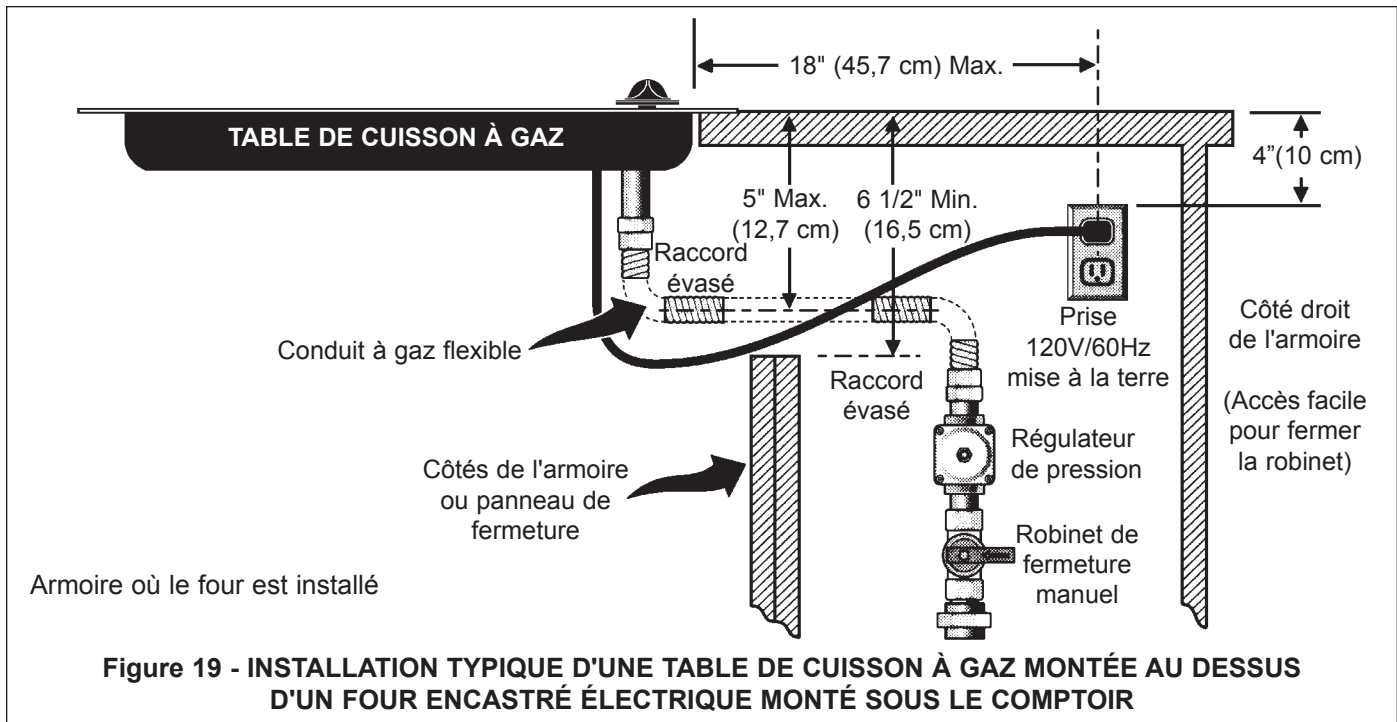
\* Si aucune table de cuisson n'est installée directement au dessus du four encastré, la distance maximale permise au dessus du plancher est de 5" (12,7 cm).

DIMENSIONS DE L'OUVERTURE		
F. LARGEUR	G. PROFONDEUR	H. HAUTEUR
24 <sup>7</sup> / <sub>8</sub> " (63,2 cm) Min.	24" (61,0 cm) Min.	27 <sup>1</sup> / <sub>4</sub> " (69,2 cm) Min.
25 <sup>1</sup> / <sub>4</sub> " (64,1 cm) Max.		28 <sup>1</sup> / <sub>4</sub> " (71,7 cm) Max.

**Figure 18 - INSTALLATION TYPIQUE D'UN FOUR ENCASTRÉ SIMPLE SOUS LE COMPTOIR AVEC UNE TABLE DE CUISSON ÉLECTRIQUE OU À GAZ INSTALLÉE PAR-DESSUS**

# INSTRUCTIONS D'INSTALLATION POUR FOUR ENCASTRÉ ÉLECTRIQUE

(Combiné à une table de cuisson électrique ou à gaz (en option))



## 8. Mise à niveau du four encastré

1. Installez une grille au centre du four.
2. Déposez un niveau à bulle sur la grille (voir la figure 14). Prenez 2 lectures en plaçant le niveau en diagonale dans une direction, puis dans l'autre direction. Utilisez des entretoises de bois sous le four encastré pour niveler si nécessaire.

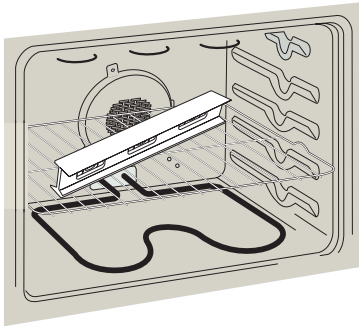


Figure 20

### NOTE IMPORTANTE

Une soufflerie située dans la partie interne supérieure à l'arrière de l'appareil permet de garder les composants électriques et électroniques internes froids. Il est donc possible que la soufflerie continue de fonctionner même après l'arrêt de l'appareil, et ce, jusqu'à ce que les composants aient refroidi.

## 9. Vérification du fonctionnement

Si votre appareil possède une **commande électronique de four**. Toutes les fonctions qu'elle contrôle ont été vérifiées en usine pour leur bon fonctionnement avant que l'appareil soit expédié. Cependant, nous vous suggérons de vérifier à nouveau le fonctionnement de la commande électrique. Reportez-vous à votre Manuel d'utilisation et d'entretien pour le réglage du four.

1. Retirer tous les items du four avant de procéder à la vérification.
2. Mettre l'appareil sous tension.
3. Vérifier les opérations de la commande électronique:
  - **Cuisson**—Vérifier que lorsque le four est en fonction cuisson, l'élément de cuisson chauffe. 20 secondes après avoir programmé le four en mode cuisson, si en ouvrant la porte vous sentez de la chaleur s'échapper du four, c'est qu'il fonctionne.
  - **Grillage**—L'élément du haut rougit lorsque le four est réglé pour le mode grillage.
  - **Convection**—Si le four est réglé pour la cuisson ou le rôtissage par convection, les deux éléments cyclent et le ventilateur convection situé à l'arrière tourne. Le ventilateur convection arrête lorsque l'on ouvre la porte du four.

### Avant d'appeler le service d'entretien

Réviser la liste de vérifications préventives et les instructions d'opération dans votre Manuel d'utilisation et d'entretien. Vous sauvez probablement du temps et de l'argent. La liste contient les incidents ordinaires ne résultant pas de défauts dans le matériel ou la fabrication de cet appareil.

Pour obtenir notre adresse et notre numéro de téléphone sans frais, référez-vous à votre Manuel d'utilisation et d'entretien.