

Installation Instructions

30" Electric Slide-In Ranges

Questions? Call 1.800.GE.CARES (1.800.432.2737) or visit www.GEAppliances.com
In Canada, call 1.800.561.3344 or visit www.GEAppliances.ca

BEFORE YOU BEGIN

Read these instructions completely and carefully.

- **IMPORTANT** — Save these instructions for local inspector's use.
- **IMPORTANT** — Observe all governing codes and ordinances.
- **Note to Installer** — Be sure to leave these instructions with Consumer.
- **Note to Consumer** — Keep these instructions for future reference.
- **Skill level** — Installation of this appliance requires basic mechanical skills and advanced electrical skills.
- Proper installation is the responsibility of the installer.
- Product failure due to improper installation is not covered under Warranty.

FOR YOUR SAFETY:

⚠ WARNING

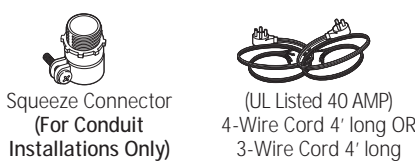
- Tip-Over Hazard**
- A child or adult can tip the range and be killed.
 - Install the anti-tip bracket to the wall or floor.
 - Engage the range to the anti-tip bracket by sliding the range back such that the foot is engaged.
 - Re-engage the anti-tip bracket if the range is moved.
 - Failure to do so can result in death or serious burns to children or adults.



⚠ WARNING Before beginning the installation, switch power off at service panel and lock the service disconnecting means to prevent power from being switched on accidentally. When the service disconnecting means cannot be locked, securely fasten a prominent warning device, such as a tag, to the service panel.

If you did not receive an anti-tip bracket with your purchase, call 1.800.626.8774 to receive one at no cost. (In Canada, call 1.800.561.3344) For installation instructions of the bracket, visit: www.GEAppliances.com. (In Canada, www.GEAppliances.ca.)

MATERIALS YOU MAY NEED



TOOLS YOU WILL NEED

- Drill with 1/8" Bit
- Safety Glasses
- Adjustable Wrench
- Level
- Tin Snips
- Tape Measure
- Pliers
- 1/4" Nut Driver

- 1 REMOVE PACKAGING MATERIALS:** Failure to remove packaging materials could result in damage to the appliance. Remove all packing parts from oven, racks, heating elements and drawer. Also, remove protective film and labels on the outer door, cooktop and control panel.

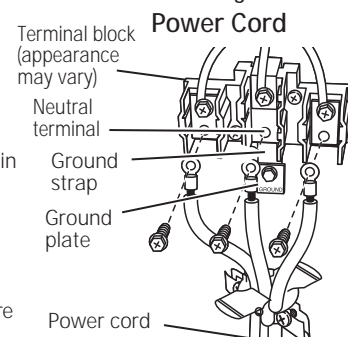
5 3-WIRE INSTALLATION

⚠ WARNING: The neutral or ground wire of the power cord must be connected to the neutral terminal located in the center of the terminal block. Ground strap must connect the neutral terminal to the ground plate. The power leads must be connected to the lower left and the lower right terminals of the terminal block.

DO NOT remove the ground strap connection.

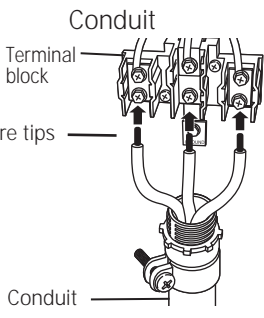
FOR POWER CORD INSTALLATION

- Remove the 3 lower terminal screws from the terminal block.
- Insert the 3 terminal screws through each power cord terminal ring and into the lower terminals of the terminal block. Be certain that the center wire (white/neutral) is connected to the center lower position of the terminal block.
- Tighten screws securely into the terminal block.



FOR CONDUIT INSTALLATION

- Loosen the 3 lower terminal screws on the terminal block. Strip wire to exposed tip about 5/8" long.
- Insert the center (white/neutral) wire tip through the bottom center terminal block opening. On certain models, the wire will need to be inserted through the ground strap opening and then into the bottom center block opening. Insert the two side bare wire tips into the lower left and the lower right terminal block openings.
- Tighten screws until the wire is firmly secured (35 to 50 inch-lbs.). Do not over-tighten the screws.



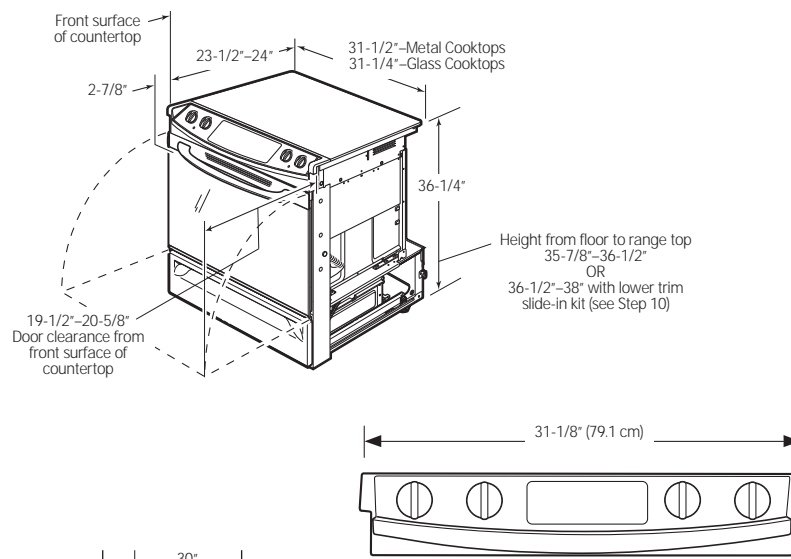
NOTE: ALUMINUM WIRING: Aluminum building wire may be used but it must be rated for the correct amperage and voltage.

PROCEED TO 6.

2 PREPARE THE OPENING (FOR INDOOR USE ONLY)

If the countertop area is not flat, excess tension may be applied to the glass cooktop causing breakage and voiding the warranty. Make sure the wall covering, countertop, flooring and cabinets around the range can withstand the heat (up to 200°F) generated by the range.

- Allow 30" minimum clearance between surface units and bottom of unprotected wood or metal cabinet, or allow a 24" minimum when bottom of wood or metal cabinet is protected by no less than 1/4" thick flame retardant millboard covered with no less than No. 28 MSG sheet metal (.015" thick), .015" thick stainless steel, .025" aluminum or .020" copper.
 - This appliance has been approved for 0" spacing to adjacent surfaces above the cooktop. However, a minimum 6" spacing to surfaces less than 15" above the cooktop and adjacent cabinetry is recommended to reduce exposure to steam, grease splatter and heat. Allow 1/4" minimum clearance at the back wall.
- To reduce the risk of burns or fire when reaching over hot surface elements, cabinet storage space above the cooktop should be avoided. If cabinet storage space is to be provided above the cooktop, the risk can be reduced by installing a range hood that projects at least 5" beyond the front of the cabinets. Cabinets installed above the cooktop must be no deeper than 16".



NOTE: Use a 4' power cord to prevent interference with the storage drawer. Power cords 4-1/2' to 6' long may have to be dressed to allow for proper drawer closing.

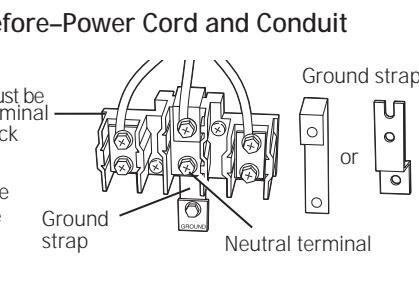
If the control panel measures 31-1/8" (79.1 cm) like in the illustration AND if the countertop has a raised edge, shave raised edge to clear the control panel, as shown at left.

6 4-WIRE INSTALLATION

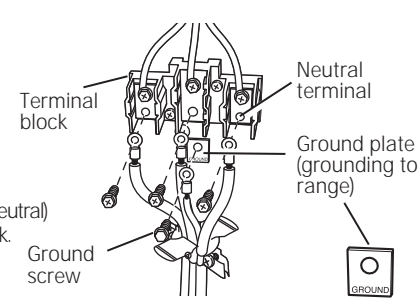
⚠ WARNING: The neutral wire of the supply circuit must be connected to the neutral terminal located in the lower center of the terminal block. The power leads must be connected to the lower left and the lower right terminals of the terminal block. The grounding lead must be connected to the frame of the range with the ground plate and the green ground screw.

FOR POWER CORD INSTALLATION

- Remove the 3 lower terminal screws from the terminal block. Remove the ground screw and ground plate and retain them. Cut and discard the ground strap. DO NOT DISCARD ANY SCREWS.
- Insert the one ground screw into the power cord ground wire terminal ring, through the ground plate and into the frame of the range.
- Insert the 3 terminal screws (removed earlier) through each power cord terminal ring and into the lower terminals of the terminal block. Be certain that the center wire (white/neutral) is connected to the center lower position of the terminal block. Tighten screws securely into the terminal block.



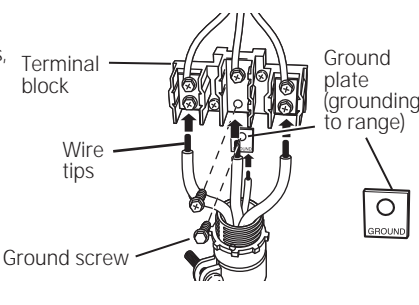
After-Power Cord



FOR CONDUIT INSTALLATION

- Loosen the 3 lower terminal screws on the terminal block. Strip wire to exposed tip about 5/8" long.
 - Insert the center (white/neutral) wire tip through the bottom center terminal block opening. On certain models, the wire will need to be inserted through the ground strap opening and then into the bottom center block opening. Insert the two side bare wire tips into the lower left and the lower right terminal block openings.
 - Tighten the screws until the wire is firmly secured (35 to 50 inch-lbs.). Do not over-tighten the screws.
- NOTE: ALUMINUM WIRING:** Aluminum building wire may be used but it must be rated for the correct amperage and voltage.

After-Conduit



3 ELECTRICAL REQUIREMENTS

⚠ WARNING: This appliance must be properly grounded.

⚠ WARNING: All new constructions, mobile homes, recreational vehicles and installations where local codes do not allow grounding through neutral require a 4-conductor, UL-listed range cord.

⚠ WARNING: To prevent fire or shock, do not use an extension cord with this appliance.

⚠ WARNING: To prevent shock, remove house fuse or open circuit breaker before beginning installation.

We recommend you have the electrical wiring and hookup of your range connected by a qualified electrician. After installation, have the electrician show you how to disconnect power from the range. You must use a single-phase, 120/208 VAC or 120/240 VAC, 60 hertz electrical system. If you connect to aluminum wiring, properly installed connectors approved for use with aluminum wiring must be used.

Effective January 1, 1996, the National Electrical Code requires that new construction (not existing) utilize a 4-conductor connection to an electric range. When installing an electric range in new construction, mobile home, recreational vehicle, or an area where local codes prohibit grounding through the neutral conductor, refer to the section on four-conductor branch circuit connections.

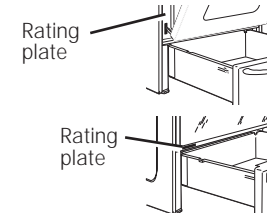
Check with your local utilities for electrical codes which apply in your area. Failure to wire your oven according to governing codes could result in a hazardous condition. If there are no local codes, your oven must be wired and fused to meet the National Electrical Code, NFPA No. 70 - latest edition, available from the National Fire Protection Association.

This appliance must be supplied with proper voltage and frequency and connected to an individual, properly grounded, 40 amp (minimum) branch circuit protected by a circuit breaker or time-delay fuse.

Use only a 3-conductor or a 4-conductor UL-listed range cord. These cords may be provided with ring terminals on wire and a strain relief device.

A range cord rated at 40 amps with 125/250 minimum volt range is required. A 50 amp range cord is not recommended, but if used, it should be marked for use with nominal 1 1/8" diameter connection openings. Care should be taken to center the cable and strain relief within the knockout hole to keep the edge from damaging the cable.

The rating plate is located on the oven frame or on the side of the drawer frame.



7 ANTI-TIP DEVICE INSTALLATION

⚠ WARNING

Tip-Over Hazard

- A child or adult can tip the range and be killed.
- Install the anti-tip bracket to the wall or floor.
- Engage the range to the anti-tip bracket by sliding the range back such that the foot is engaged.
- Re-engage the anti-tip bracket if the range is moved.
- Failure to do so can result in death or serious burns to children or adults.

To reduce the risk of tipping the range, the range must be secured by a properly installed anti-tip bracket. See installation instructions shipped with the bracket for complete details before attempting to install.

To check if the bracket is installed and engaged properly, look underneath the range to see that the rear leveling leg is engaged in the bracket. On some models, the storage drawer or kick panel can be removed for easier inspection. If visual inspection is not possible, slide the range forward, confirm the anti-tip bracket is securely attached to the floor or wall and slide the range back so the leveling leg is under the anti-tip bracket. If the range is pulled from the wall for any reason, always repeat this procedure to verify the range is properly secured by the anti-tip bracket. Never completely remove the leveling legs or the range will not be secured to the anti-tip bracket.

leveling leg is engaged in the bracket. On some models, the storage drawer or kick panel can be removed for easier inspection. If visual inspection is not possible, slide the range forward, confirm the anti-tip bracket is securely attached to the floor or wall and slide the range back so the leveling leg is under the anti-tip bracket. If the range is pulled from the wall for any reason, always repeat this procedure to verify the range is properly secured by the anti-tip bracket. Never completely remove the leveling legs or the range will not be secured to the anti-tip bracket.

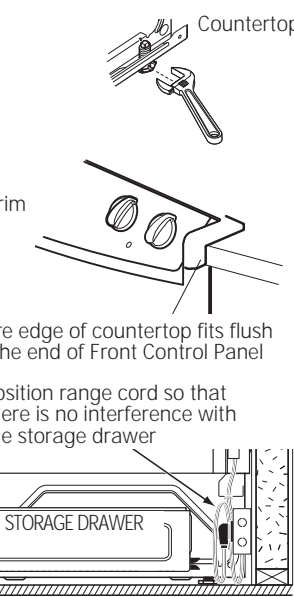
8 SLIDE RANGE INTO OPENING

A Position the range in front of the cabinet opening. Make sure that the glass that overhangs the countertop clears the countertop. If necessary, raise the unit by lowering the leveling legs.

B Push while lifting the range into the opening, until the range is within 2" of engaging the anti-tip bracket. Remove the protective trim from the side of glass (if provided).

C Using the adjustable pliers or wrench, carefully screw in the back leveling leg until the glass overhang comes to rest on the countertop. Then carefully screw in the front two leveling legs until the glass overhang touches the countertop.

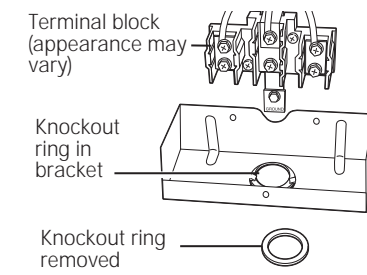
D Carefully push the range into the opening until the countertop fully engages the control panel. The back glass overhang should cover the cutout opening. Plug the range cord into the receptacle. Locate the cord in the back of the range in a manner that it will not touch or be moved by the drawer.



4 POWER CORD AND CONDUIT INSTALLATION

A Remove wire cover (on the back of range) by removing screws using a 1/4" nut driver. Do not discard these screws.

B For power cord and 1" conduit only, remove the knockout ring (1 1/4") located on bracket directly below the terminal block. To remove the knockout, use a pair of pliers to bend the knockout ring away from the bracket and twist until ring is removed.



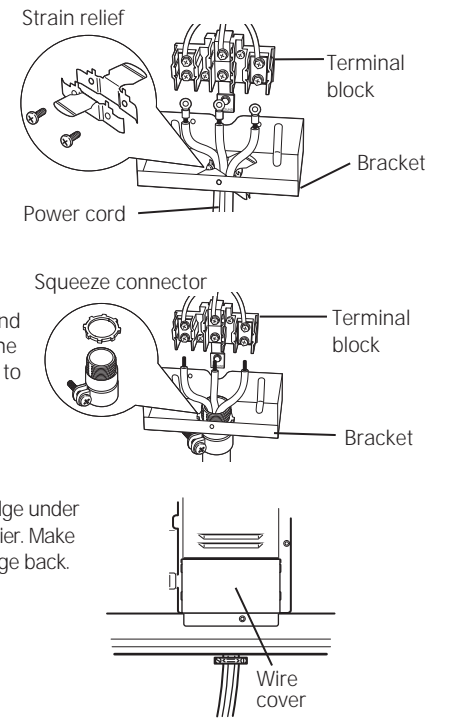
C For power cord installations only (see the next step if using conduit), assemble the strain relief in the hole. Insert the power cord through the strain relief and tighten. Allow enough slack to easily attach the cord terminals to the terminal block. If tabs are present at the end of the winged strain relief, they can be removed for a better fit.

NOTE: Do not install the power cord without a strain relief. The strain relief bracket MUST be installed before reinstalling the rear range wiring cover.

D For conduit installations only, purchase a squeeze connector matching the diameter of your conduit and assemble it in the hole. Insert the conduit through the squeeze connector and tighten. Allow enough slack to easily attach the wires to the terminal block.

NOTE: Do not install the conduit without a squeeze connector. The squeeze connector MUST be installed before reinstalling the rear range wiring cover.

E Replace wire cover on range back by sliding its left edge under the retaining tabs and replace the screws removed earlier. Make sure that no wires are pinched between cover and range back.



9 ALTERNATE INSTALLATION / CONSTRUCTION KITS

Description:	Use:
Backguard Kit: Adds a decorative backguard to the rear of the range. This kit can only be used when the opening in the countertop is 25" deep.	Designed to be used when replacing a free-standing range with a slide-in.
Maintop Filler Kit: Adds a filler strip to the rear of the range. This kit can only be used when the opening in the countertop is 25" deep. This kit cannot be used with a backguard kit.	Used to fill gap between the range back and wall.
Maintop Filler Kit Numbers: (Filler included on some models)	WB07T10680 (Black) WB07T10681 (White) WB07T10682 (Bisque)
Body Side Kit: Contains a color-matched side panel which can be used to create a finished appearance on either side of the range.	Designed to be used when cabinets are absent on one side of the range.

To order accessory kits, call 1.866.775.4557, or visit www.GEAppliances.com.

10 FINAL INSTALLATION CHECKLIST

- Check to make sure the circuit breaker is closed (RESET) or the circuit fuses are replaced.
 - Be sure power is in service to the building.
 - Check that all packing materials and tape have been removed. This will include tape on metal panel under control knobs (if applicable), adhesive tape, wire ties, cardboard and protective plastic. Failure to remove these materials could result in damage to the appliance once the appliance has been turned on and surfaces have heated.
 - Check that the door and drawer are parallel to each other and that both operate smoothly. If they do not, see the Owner's Manual for proper replacement.
 - Check to make sure that the rear leveling leg is fully inserted into the anti-tip bracket and that the bracket is securely installed.
- #### OPERATION CHECKLIST
- Turn on one of the surface units to observe that the element glows within 60 seconds. Turn the unit off when glow is detected. If the glow is not detected within the time limit, recheck the range wiring connections. If change is required, retest again. If no change is required, have building wiring checked for proper connections and voltage.
 - Check that the oven control operates properly. If the oven control does not operate properly, recheck the wiring connections.
 - Be sure all range controls are in the OFF position before leaving the range.

Instrucciones de instalación Cocinas empotrables eléctricas de 30"

¿Preguntas? Llame al 1.800.GE.CARES (1.800.432.2737) o visite www.GEAppliances.com.
En Canadá, llame al 1.800.561.3344 o visite www.GEAppliances.ca.

ANTES DE COMENZAR

Lea estas instrucciones por completo y con detenimiento.

- **IMPORTANTE** — Guarde estas instrucciones para el uso de inspectores locales.
- **IMPORTANT** — Cumpla con todos los códigos y ordenanzas vigentes.
- **Nota al instalador** – Asegúrese de dejar estas instrucciones con el Consumidor.

- **Nota al consumidor** – Conserve estas instrucciones para referencia futura.
- **Nivel de capacidad** – La instalación de este aparato requiere capacidades mecánicas básicas y capacidades eléctricas avanzadas.
- El instalador tiene la responsabilidad de efectuar una instalación adecuada.
- La garantía no cubre las fallas del producto provocadas por una instalación incorrecta.

PARA SU SEGURIDAD:

⚠ ADVERTENCIA
Riesgo de Caída

- Un niño o adulto pueden volcar la cocina y morir.
- Instale el soporte anti-volcaduras sobre la pared o el piso.
- Asegúrese la estufa al soporte anti-volcaduras deslizando la unidad hacia atrás de tal manera que la pata niveladora sea enganchada.
- Vuelva a adherir el soporte anti-volcaduras si la estufa se mueve de lugar.
- Si esto no se hace, se podrá producir la muerte o quemaduras graves en niños o adultos.



⚠ ADVERTENCIA Antes de comenzar la instalación, apague el encendido en el panel de servicio y bloquee el medio de desconexión del servicio a fin de evitar que el encendido se active de forma accidental. Cuando el medio de desconexión del servicio no se pueda bloquear, ajuste de manera segura un ítem de advertencia que esté bien visible, tal como una etiqueta, sobre el panel de servicio.

Si no recibió un soporte anti volcaduras con su compra, llame al 1.800.626.8774 para recibir uno sin costo. (En Canadá, llame al 1.800.561.3344). Para recibir instrucciones de instalación del soporte, visite: GEAppliances.com (En Canadá, GEAppliances.ca).

MATERIALES QUE PUEDE NECESITAR

- Conector de presión (Solo para instalaciones con conductos)
- Cable de 4 hilos de 4' (1,2 m) de largo O cable de 3 hilos de 4' (1,2 m) de largo (Aprobado por UL de 40 AMP)

HERRAMIENTAS NECESARIAS

- Perforadora con broca de 1/8"
- Tijeras para hojalata
- Cinta métrica
- Gafas de seguridad
- Alicates
- Llave ajustable
- Nivel
- Llave de tuercas de ¼"

1 QUILTE LOS MATERIALES DE ENVÍO:

No quitar los materiales de empaque puede provocar daños al electrodoméstico. Quite todas las partes de empaque del horno, bandejas, elementos calentadores y cajón. También, quite la película protectora y las etiquetas de la puerta exterior, estufa y panel de control.

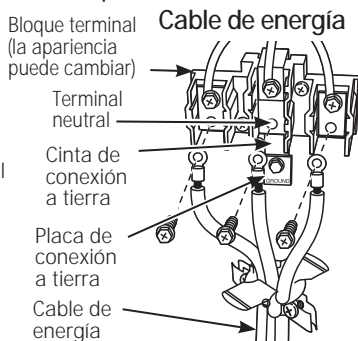
5 INSTALACIÓN DE 3 HILOS

⚠ ADVERTENCIA: El cable neutral o a tierra del cable de energía debe estar conectado a la terminal neutral ubicada en el centro del bloque terminal. La cinta de conexión a tierra debe conectar la terminal neutral a la placa de conexión a tierra. Los cables de energía deben estar conectados a las terminales inferior izquierda e inferior derecha del bloque terminal.

NO QUILTE LA CINTA DE CONEXIÓN A TIERRA.

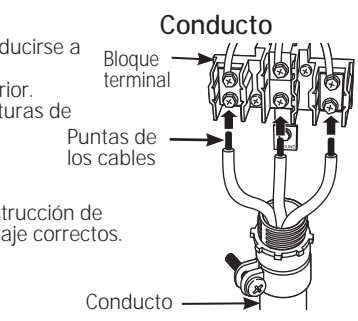
PARA INSTALACION DE CABLE DE ENERGÍA

- Quite los 3 tornillos inferiores del bloque terminal.
- Introduzca los 3 tornillos de terminal a través de cada anillo de terminal de cable de energía y dentro de las terminales inferiores del bloque terminal. Asegúrese de que el hilo central (blanco/neutral) se encuentre conectado a la posición central inferior del bloque terminal.
- Ajuste bien los tornillos al bloque terminal.



PARA INSTALACIÓN CON CONDUCTO

- Añoje los 3 tornillos inferiores del bloque terminal.
- Pele el cable para exponer una punta de un largo de 5/8" (1,27 cm). Introduzca la punta del cable central (blanco/neutral) a través de la abertura del bloque terminal central inferior. En algunos modelos, el cable tendrá que introducirse a través de la abertura de la cinta de conexión a tierra y luego a través de la abertura del bloque terminal inferior. Introduzca las dos puntas de cable pelado dentro de las aberturas de bloque terminal izquierda inferior y derecha inferior.
- Ajuste los tornillos hasta que el cable quede bien firme (35 a 50 pulg-lbs). No ajuste los tornillos de más.



NOTA: CABLEADO DE ALUMINIO: Puede utilizarse cable de construcción de aluminio pero debe tener la clasificación para el amperaje y voltaje correctos.

SIGA CON EL PASO 6.

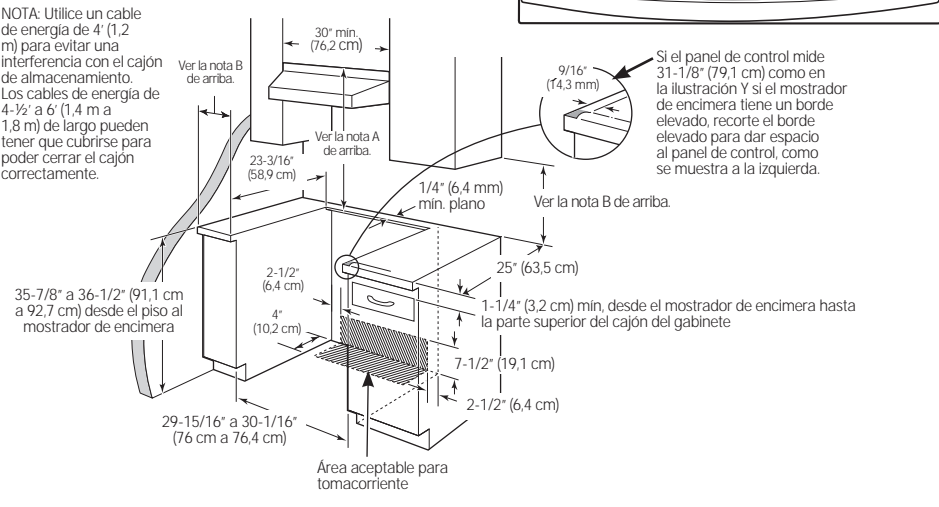
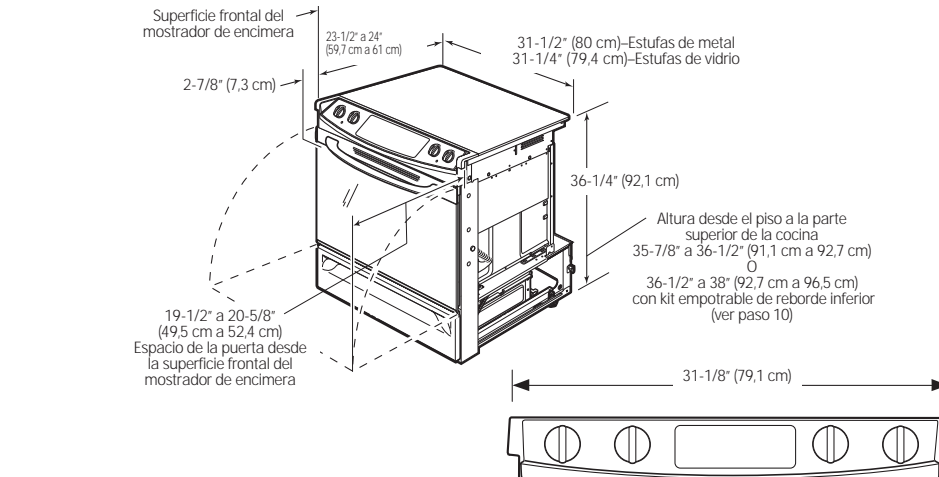
2 PREPARE LA ABERTURA (SÓLO PARA USO EN EL INTERIOR)

Si el área del mostrador de encimera no se encuentra nivelada, puede ejercerse una tensión excesiva sobre la estufa de vidrio, lo que provoca rupturas y anula la garantía. Verifique que el revestimiento de las paredes, el mostrador de encimera, el piso y los gabinetes ubicados alrededor de la cocina puedan soportar el calor (hasta 200°F [93,3°C]) generado por la cocina.

- Deje un espacio mínimo de 30" (76,2 cm) entre las unidades de superficie y la parte inferior de un gabinete de madera o metal sin protección, o deje un mínimo de 24" (61 cm) cuando la parte inferior del gabinete de madera o metal se encuentra protegida por cartón con retardo de llama de un grosor no menor a ¼" (6,4 mm) cubierto con una placa de metal no menor a N° 28 MSG (grosor de 0,015" [0,38 mm]), acero inoxidable de un grosor de 0,015" [0,38 mm], aluminio de 0,025" (0,64 mm) o cobre de 0,020" (0,51 mm).

- Este aparato ha sido aprobado para un espacio de 0" (0 cm) respecto de superficies adyacentes sobre la estufa. Sin embargo, se recomienda un espacio mínimo de 6" (15,2 cm) respecto de superficies menores a 15" (38,1 cm) sobre la estufa y gabinete adyacente para reducir la exposición al vapor, salpicaduras de grasa y calor. Deje un espacio mínimo de ¼" (6,4 mm) en la pared trasera.

Para reducir el riesgo de quemaduras o incendios cuando se incline sobre los elementos de superficie calientes, debe evitarse la instalación de espacios de almacenamiento en gabinetes sobre la estufa. Si debe contarse con espacio para almacenamiento en gabinetes sobre la estufa, puede reducirse el riesgo instalando una campana de cocina que sobresalga por lo menos 5" (12,7 cm) más allá del frente de los gabinetes. Los gabinetes instalados por encima de la estufa no deben tener una profundidad mayor a los 16" (40,64 cm).



NOTA: Utilice un cable de energía de 4' (1,2 m) para evitar una interferencia con el cajón de almacenamiento. Los cables de energía de 4-½' a 6' (1,4 m a 1,8 m) de largo pueden tener que cortarse para poder cerrar el cajón correctamente.

Si el panel de control mide 31-1/8" (79,1 cm) como en la ilustración Y si el mostrador de encimera tiene un borde elevado, recorte el borde elevado para dar espacio al panel de control, como se muestra a la izquierda.

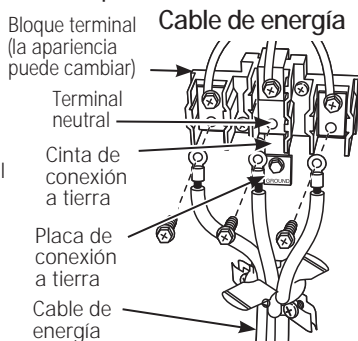
5 INSTALACIÓN DE 3 HILOS

⚠ ADVERTENCIA: El cable neutral o a tierra del cable de energía debe estar conectado a la terminal neutral ubicada en el centro del bloque terminal. La cinta de conexión a tierra debe conectar la terminal neutral a la placa de conexión a tierra. Los cables de energía deben estar conectados a las terminales inferior izquierda e inferior derecha del bloque terminal.

NO QUILTE LA CINTA DE CONEXIÓN A TIERRA.

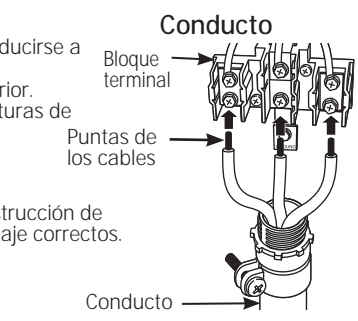
PARA INSTALACION DE CABLE DE ENERGÍA

- Quite los 3 tornillos inferiores del bloque terminal.
- Introduzca los 3 tornillos de terminal a través de cada anillo de terminal de cable de energía y dentro de las terminales inferiores del bloque terminal. Asegúrese de que el hilo central (blanco/neutral) se encuentre conectado a la posición central inferior del bloque terminal.
- Ajuste bien los tornillos al bloque terminal.



PARA INSTALACIÓN CON CONDUCTO

- Añoje los 3 tornillos inferiores del bloque terminal.
- Pele el cable para exponer una punta de un largo de 5/8" (1,27 cm). Introduzca la punta del cable central (blanco/neutral) a través de la abertura del bloque terminal central inferior. En algunos modelos, el cable tendrá que introducirse a través de la abertura de la cinta de conexión a tierra y luego a través de la abertura del bloque terminal inferior. Introduzca las dos puntas de cable pelado dentro de las aberturas de bloque terminal izquierda inferior y derecha inferior.
- Ajuste los tornillos hasta que el cable quede bien firme (35 a 50 pulg-lbs). No ajuste los tornillos de más.



NOTA: CABLEADO DE ALUMINIO: Puede utilizarse cable de construcción de aluminio pero debe tener la clasificación para el amperaje y voltaje correctos.

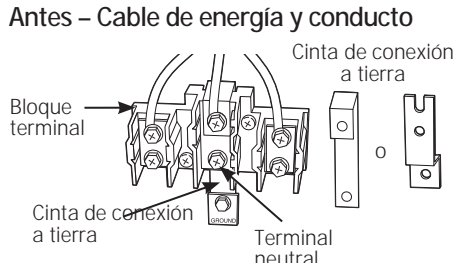
SIGA CON EL PASO 6.

6 INSTALACIÓN DE 4 HILOS

⚠ ADVERTENCIA: El cable neutral del circuito de suministro debe estar conectado a la terminal neutral ubicada en el centro inferior del bloque terminal. Los cables de energía deben estar conectados a las terminales inferior izquierda e inferior derecha del bloque terminal. El cable a tierra debe estar conectado al armazón de la cocina con la placa de conexión a tierra y el tornillo verde a tierra.

PARA INSTALACIÓN DE CABLE DE ENERGÍA

- Quite los 3 tornillos inferiores del bloque terminal. Quite el tornillo a tierra y la placa de conexión a tierra y consérvelos. **Corte y descarte la cinta de conexión a tierra. NO ELIMINE NINGÚN TORNILLO.**
- Introduzca el único tornillo de conexión a tierra dentro del anillo terminal de conexión a tierra del cable de energía, a través de la placa de conexión a tierra y dentro del armazón de la cocina.
- Introduzca los 3 tornillos de terminal (quitados antes) a través de cada anillo de terminal de cable de energía y dentro de las terminales inferiores del bloque terminal. Asegúrese de que el hilo central (blanco/neutral) se encuentre conectado a la posición central inferior del bloque terminal. Ajuste bien los tornillos al bloque terminal.



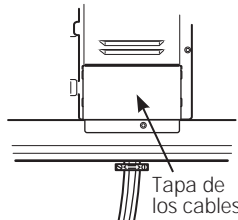
PARA INSTALACIÓN CON CONDUCTO

- Añoje los 3 tornillos inferiores del bloque terminal. Quite el tornillo a tierra y la placa de conexión a tierra entre el marco de la cocina y la placa de conexión a tierra (quitada antes) y asegúrela en su lugar con el tornillo de conexión a tierra (quitado antes). Introduzca la punta pelada del cable (blanco/neutral) a través del centro inferior de la abertura del bloque terminal. Introduzca las dos puntas de cable pelado dentro de las aberturas de bloque terminal izquierda inferior y derecha inferior.
- Ajuste los tornillos hasta que el cable quede bien firme (35 a 50 pulg-lbs). No ajuste los tornillos de más.

NOTA: CABLEADO DE ALUMINIO: Puede utilizarse cable de construcción de aluminio pero debe tener la clasificación para el amperaje y voltaje correctos.

7 VUELVA A COLOCAR LA TAPA DE LOS CABLES

Coloque la tapa de los cables en la parte trasera de la cocina deslizando el lado izquierdo bajo las lengüetas de retención y reemplazando los tornillos quitados con anterioridad. Verifique que los cables no hayan sufrido pellizcos entre la tapa y la parte trasera de la cocina.



3 REQUISITOS ELÉCTRICOS

⚠ ADVERTENCIA: Este aparato debe contar con una adecuada conexión a tierra.

⚠ ADVERTENCIA: Todas las construcciones nuevas, casas rodantes, vehículos recreativos e instalaciones donde los códigos locales no permiten una conexión a tierra a través de un neutral requieren un cable para cocina de 4 conductores aprobado por UL.

⚠ ADVERTENCIA: Para prevenir un incendio o descarga eléctrica, no utilice un cable de extensión con este aparato.

⚠ ADVERTENCIA: Para prevenir una descarga eléctrica, quite el fusible o abra el interruptor de circuitos antes de comenzar la instalación.

Recomendamos que un electricista calificado conecte el cableado eléctrico y su cocina. Después de la instalación, solicite al electricista que le indique cómo desconectar la energía de la cocina. Usted debe usar un sistema eléctrico de fase única de 120/208 VAC o 120/240 VAC de 60 hercios. Si tiene una conexión con cableado de aluminio, deben utilizarse conectores adecuadamente instalados para utilizar con cableado de aluminio. Vigente desde el 1 de enero de 1996, el Código Eléctrico Nacional requiere que las nuevas construcciones (no existentes) utilicen una conexión de cuatro conductores a una cocina eléctrica. Cuando instale una cocina eléctrica en una nueva construcción, una casa rodante, un vehículo recreativo o un área donde los códigos locales prohíben la conexión a tierra a través de un conductor neutral, consulte la sección sobre conexiones en circuito derivado de cuatro conductores.

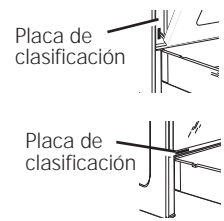
Consulte a las empresas de servicio público sobre los códigos eléctricos que se aplican en su área. No realizar el cableado de su horno de acuerdo con los códigos vigentes puede provocar una situación peligrosa. Si no existen códigos locales, el cableado y fusibles de su horno deben cumplir con el Código Eléctrico Nacional, NFPA N° 70, última edición, disponible en National Fire Protection Association (Asociación Nacional de Protección contra Incendios).

Este electrodoméstico debe recibir el voltaje y frecuencia adecuados, y debe conectarse a un circuito derivado individual con adecuada conexión a tierra de 40 amperios (mínimo) protegido por un interruptor de circuitos o fusible con retraso.

Utilice solo un cable para cocinas de 3 o 4 conductores aprobado por UL. Estos cables pueden contar con terminales de anillo en alambre y un dispositivo de alivio de tensión.

Se requiere un cable para cocinas clasificado para 40 amperios con rango de vollos mínimo de 125/250. No se recomienda un cable de 50 amperios, pero si se utiliza, debe señalizarse para usarse con aberturas de conexión de un diámetro nominal de 1¼" (3,5 cm). Debe tenerse cuidado al centrar el cable y el alivio de tensión dentro del orificio de expulsión para evitar que el borde dañe el cable.

La placa de clasificación se encuentra ubicada sobre el armazón del horno o sobre el costado del armazón del cajón.



7 INSTALACIÓN DE DISPOSITIVO ANTI-VOLCADURAS

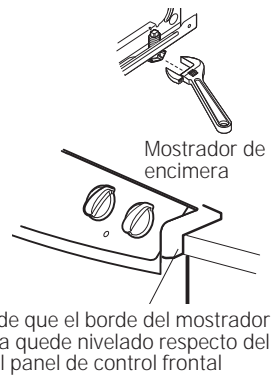
⚠ ADVERTENCIA
Riesgo de Caída

- Un niño o adulto pueden volcar la cocina y morir.
- Instale el soporte anti-volcaduras sobre la pared o el piso.
- Asegúrese la estufa al soporte anti-volcaduras deslizando la unidad hacia atrás de tal manera que la pata niveladora sea enganchada.
- Vuelva a adherir el soporte anti-volcaduras si la estufa se mueve de lugar.
- Si esto no se hace, se podrá producir la muerte o quemaduras graves en niños o adultos.

Para reducir el riesgo de volcar la cocina, ésta debe sujetarse mediante un soporte anti-volcaduras con una adecuada instalación. Ver las instrucciones de instalación enviadas con el soporte para obtener detalles completos antes de iniciar la instalación. Para controlar si el soporte es instalado y ajustado de forma apropiada, mire que debajo de la cocina la pata niveladora trasera esté ajustada al soporte. En algunos modelos, el cajón de almacenamiento o el panel de protección se pueden retirar para una fácil inspección. Si no es posible realizar una inspección visual, deslice la cocina hacia adelante, confirme que el soporte anti-volcaduras esté ajustado de forma segura al piso o la pared, y deslice la cocina hacia atrás de modo que la pata niveladora trasera se encuentre debajo del soporte anti-volcaduras. Si la cocina es expulsada de la pared por alguna razón, siempre repetir este procedimiento a fin de verificar que esté asegurado de forma correcta con un soporte anti volcaduras. Nunca quite las patas de nivelación por completo ya que la cocina no quedará bien sujeta al dispositivo anti-volcaduras.

8 DESLICE LA COCINA DENTRO DE LA ABERTURA

- Coloque la cocina frente a la abertura del gabinete. Asegúrese de que el vidrio que sobresale del mostrador de encimera no lo obstruya. Si resulta necesario, eleve la unidad bajando las patas de nivelación.
- Empuje la cocina mientras la levanta dentro de la abertura, hasta que la cocina se encuentre a 2" (5,1 cm) de enganchar el soporte anti-volcaduras. Quite el reborde protector del costado del vidrio (si está provisto).
- Usando los alicates o llaves ajustables, con cuidado vuelva a atornillar la pata de nivelación trasera hasta que la saliente de vidrio se apoye sobre la mesada. Luego atornille las dos patas de nivelación frontales hasta que la saliente de vidrio toque el mostrador de encimera.



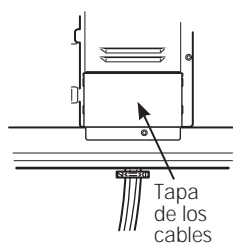
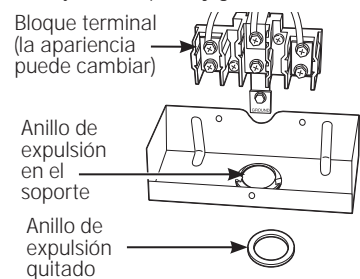
Coloque el cable de la cocina de modo que no haya interferencia con el cajón de almacenamiento. Asegúrese de que el borde del mostrador de encimera quede nivelado respecto del extremo del panel de control frontal.



4 INSTALACIÓN DE CABLE DE ENERGÍA Y DE CONDUCTOS

A Saque la tapa del cable (en la parte trasera de la cocina) quitando los tornillos mediante una llave de tuercas de ¼". **No elimine esos tornillos.**

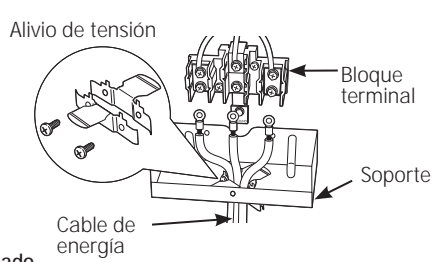
B Solo para el cable de energía y conducto de 1" (2,5 cm) quite el anillo de expulsión (1¼" [3,5 cm]) ubicado en el soporte directamente debajo del bloque terminal. Para quitar el anillo, utilice un par de alicates para doblar el anillo de expulsión lejos del soporte y gire hasta remover el anillo.



C. Solo para instalaciones de cable de energía

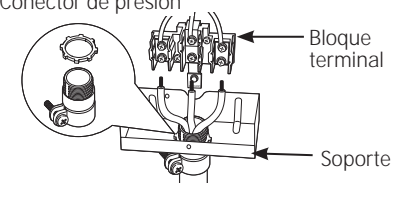
(ver el paso siguiente si utiliza un conducto), instale el alivio de tensión en el orificio. Introduzca el cable de energía a través del alivio de tensión y ajuste. Deje un largo suficiente para poder conectar las terminales de cable al bloque terminal. Si hay lengüetas en el extremo del alivio de tensión con alas, éstas pueden quitarse para un ajuste mejor.

NOTA: No instale el cable de energía sin un alivio de tensión. El soporte del alivio de tensión DEBE instalarse antes de volver a colocar la tapa del cableado trasero de la cocina.



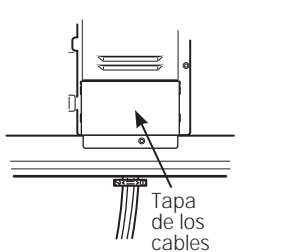
D. Solo para instalaciones con conducto.

adquiera un conector de presión que se ajuste al diámetro de su conducto e instálelo en el orificio. Introduzca el conducto a través del conector de presión y ajuste. Deje un largo suficiente para poder conectar los cables al bloque terminal. **NOTA: No instale el conducto sin un conector de presión. El conector de presión DEBE instalarse antes de volver a colocar la tapa del cableado trasero de la cocina.**



E. Coloque la tapa de los cables en la parte trasera de la cocina deslizando el lado izquierdo bajo las lengüetas de retención y reemplazando los tornillos quitados con anterioridad.

Verifique que los cables no hayan sufrido pellizcos entre la tapa y la parte trasera de la cocina.



9 INSTALACIÓN ALTERNATIVA/KITS DE CONSTRUCCIÓN

Descripción:	Uso:
Kit de protección trasera: Agrega una protección trasera decorativa en la parte trasera de la cocina. Este kit solo puede usarse cuando la abertura del mostrador de encimera tiene una profundidad de 25" (63,5 cm).	Diseñada para utilizar cuando se cambia una cocina independiente por una empotrable.
Kit de relleno superior: Agrega una tira de relleno en la parte trasera de la cocina. Este kit solo puede usarse cuando la abertura del mostrador de encimera tiene una profundidad de 25" (63,5 cm). Este kit no puede utilizarse con un kit de protección trasera.	Se utiliza para rellenar el espacio entre la parte trasera de la cocina y la pared.
Kit de relleno superior el número: (Relleno incluido en algunos modelos)	WB07T10680 (Negro) WB07T10681 (Blanco) WB07T10682 (Bisque)
Kit lateral: Contiene un panel lateral de color que puede utilizarse para crear una apariencia acabada a los lados de la cocina.	Diseñado para utilizar cuando no hay gabinetes sobre un lado de la cocina.

Para solicitar kits de accesorios, llame al 1.866.775.4557, o visite www.GEAppliances.com.

10 LISTA DE CONTROL FINAL DE LA INSTALACIÓN

- Verifique que el interruptor de circuitos se encuentre cerrado (RESET) o que los fusibles del circuito se hayan reemplazado.
- Asegúrese de que haya suministro eléctrico en el edificio.
- Controle que se haya quitado todo el material de empaque y la cinta. Esto incluirá cinta sobre el panel de metal bajo las perillas de control (si corresponde), cinta adhesiva, ataduras de alambre, cartón y plástico protector. No quitar estos materiales puede provocar daños al electrodoméstico una vez que el aparato se haya encendido y las superficies se hayan calentado.
- Controle que la puerta y el cajón se encuentren paralelos y que los dos funcionen correctamente. Si no es así, consulte el Manual del propietario para un reemplazo adecuado.
- Controle que la pata de nivelación trasera esté bien introducida dentro del soporte anti-volcaduras y que el soporte se encuentre bien instalado.

LISTA DE CONTROL DE FUNCIONAMIENTO

- Accione una de las unidades de superficie para observar que el elemento se encienda dentro de los 60 segundos. Apague la unidad cuando se detecte el encendido. Si no se detecta el encendido dentro del límite de tiempo, vuelva a verificar las conexiones del cableado de la cocina. Si se requiere un cambio, vuelva a probar el aparato. Si no se requiere un cambio, haga controlar el cableado del edificio para verificar conexiones y voltaje adecuados.
- Verifique que el control del horno funcione correctamente. Si el control del horno no funciona correctamente, vuelva a controlar las conexiones del cableado.
- Asegúrese de que los controles de la cocina se encuentren en la posición OFF (apagado) antes de alejarse de la cocina.