



LAUNDRY CENTER

Owner's Guide

LAVADORA Y SECADORA SUPERPUESTAS

Manual Del Usuario

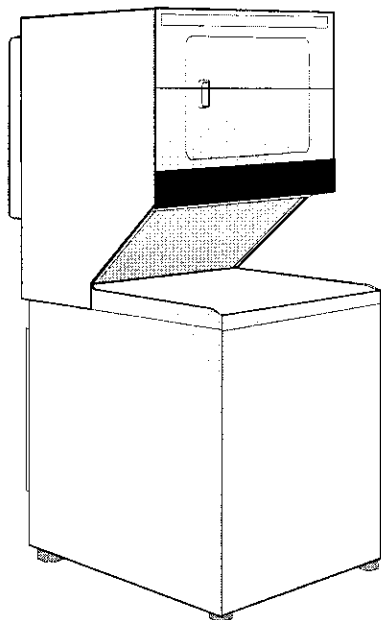


Table of Contents

Important Safety Instructions.....	2-3
Washing Procedures.....	4-5
Stain Removal.....	6
Common Washing Problems.....	7
Drying Procedures.....	8
Features.....	9
Common Drying Problems.....	9
Care and Cleaning.....	10-11
Avoid Service Checklist.....	11-13
Warranty and Service.....	14
Español.....	15-28
Instrucciones Importantes de Seguridad.....	15-16
Métodos de Lavado.....	17-19
Limpieza de Manchas.....	19-20
Problemas Comunes del Lavado.....	21
Métodos de Secado.....	22
Características.....	23
Problemas Comunes de Secado.....	23
Cuidado y Limpieza.....	24-25
Lista de Control de Averías.....	25-27
Back Cover.....	28

Product Registration

Thank you for choosing this dryer. This owner's guide will explain proper operation and care.

Register Your Product

The self-addressed **PRODUCT REGISTRATION CARD** should be filled in completely, signed and returned.

Registro del Producto

Le agradecemos que haya seleccionado esta secadora. En este manual del usuario encontrará las instrucciones apropiadas para su funcionamiento y cuidado.

Registre su Producto

La **TARJETA DE REGISTRO DEL PRODUCTO** ya dirigida debe ser llenada, firmada y enviada.

Read and Save These Instructions

Record Your Model and Serial Numbers

Record below the model and serial numbers found on the laundry center serial plate located on the inside of the dryer door. Keep these numbers for future reference.

Anote su Número de Modelo y de Serie

Anote a continuación el número de modelo y de serie que se encuentran en la placa de serie situada en el interior de la puerta de la secadora. Conserve estos números para referencia futura.

Model Number:

Número de Modelo: _____

Serial Number:

Número de Serie: _____

Purchase Date:

Fecha de compra: _____

Sears, Roebuck and Co., Hoffman Estates, IL 60179 U.S.A.

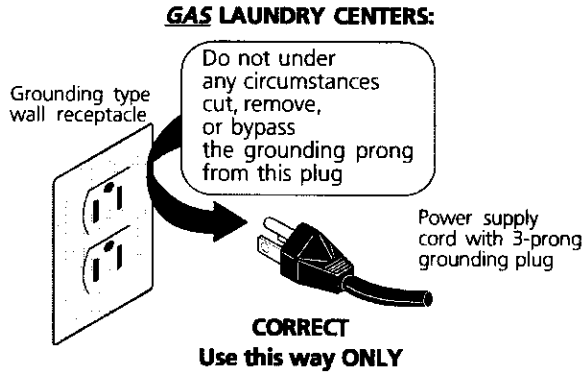
⚠ WARNING For your safety, the information in this manual must be followed to minimize the risk of fire or explosion or to prevent property damage, personal injury or loss of life.

- Do not store or use gasoline or other flammable vapors and liquids in the vicinity of this or any other appliance.
- **WHAT TO DO IF YOU SMELL GAS:**
 - Do not try to light any appliance.
 - Do not touch any electrical switch; do not use any phone in your building.
 - Clear the room, building or area of all occupants.
 - Immediately call your gas supplier from a neighbor's phone. Follow the gas supplier's instructions.
 - If you cannot reach your gas supplier, call the fire department.

Installation and service must be performed by a qualified installer, service agency or the gas supplier.

This Owner's Guide provides general operating instructions for your laundry center. It also contains information about features for several other models. Your laundry center may not have every feature included. Use the laundry center only as instructed in this Owner's Guide.

⚠ WARNING Avoid fire hazard or electrical shock. Do not use an adaptor plug or extension cord or remove grounding prong from electrical power cord. Failure to follow this warning can cause serious injury, fire or death.



Note: The instructions appearing in this Owner's Guide are not meant to cover every possible condition and situation that may occur. Common sense and caution must be practiced when installing, operating and maintaining any appliance.

Important Safety Instructions

Read all instructions before using this laundry center.

⚠ WARNING To reduce the risk of fire, electrical shock, or injury to persons when using this laundry center, comply with the basic warnings listed below.

⚠ Failure to comply with these warnings could result in serious personal injuries.

Prevent Fire

⚠ WARNING Do not wash or dry items that have been previously cleaned in, soaked in, or spotted with gasoline, cleaning solvents, kerosene, waxes, etc. Do not store these items on or near the dryer. These substances give off vapors that could ignite or explode.

⚠ WARNING Do not place items exposed to cooking oils in your dryer. Items contaminated with cooking oils may contribute to a chemical reaction that could cause a load to catch fire.

⚠ WARNING Do not put oily or greasy rags or clothing on top of the laundry center. These substances give off vapors that could ignite the materials.

⚠ WARNING Do not add gasoline, cleaning solvents, or other flammable or explosive substances to the wash water. These substances give off vapors that could ignite or explode.

⚠ WARNING Under certain conditions, hydrogen gas may be produced in a hot water system that has not been used for 2 weeks or more. **HYDROGEN GAS IS EXPLOSIVE.** If the hot water system has not been used for such a period, before using the washer, turn on all hot water faucets and let the water flow from each for several minutes. This will release any accumulated hydrogen gas. Hydrogen gas is flammable; do not smoke or use an open flame during this time.

⚠ WARNING To prevent fire, do not use heat to dry items containing plastic, foam rubber or similarly textured rubber-like materials, or items containing feathers or down. Use Air Fluff (No Heat) only.

⚠ WARNING Clean the dryer lint screen before or after each load. The interior of the dryer, lint screen housing and exhaust duct should be cleaned approximately every 18 months by qualified service personnel. An excessive amount of lint build-up in these areas could result in inefficient drying and possible fire. See **Care and Cleaning**, pages 12-13.

⚠ WARNING Do not operate the dryer if the lint screen is blocked, damaged or missing. Fire hazard, overheating and damage to fabrics can occur. If your dryer has a drying rack, always replace the lint screen when finished using the drying rack.

⚠ WARNING Keep area around the exhaust opening and surrounding areas free from the accumulation of lint, dust and dirt.

⚠ WARNING Do not obstruct the flow of ventilating air. Do not stack or place laundry or throw rugs against the front or back of the laundry center.

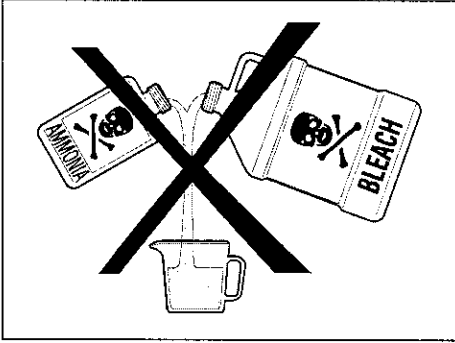
⚠ WARNING Do not spray any type of aerosol into, on or near laundry center at any time.

⚠ WARNING Do not use fabric softeners or products to eliminate static unless recommended by the manufacturer of the fabric softener or product.

⚠ Failure to comply with these warnings could result in fire, explosion, serious bodily injury and/or damage to the rubber or plastic parts of the laundry center.

Important Safety Instructions Con't

⚠ WARNING Do not use or mix liquid chlorine bleach with other household chemicals such as toilet cleaners, rust removers, acid or products containing ammonia. These mixtures can produce dangerous fumes which can cause serious injury or death.



Protect Children

⚠ WARNING Do not allow children to play on or in the laundry center. Close supervision of children is necessary when the laundry center is used near children. As children grow, teach them the proper, safe use of all appliances.

⚠ WARNING Destroy the carton, plastic bag and other packing materials after the laundry center is unpacked. Children might use them for play. Cartons covered with rugs, bedspreads or plastic sheets can become airtight chambers.

⚠ WARNING Keep laundry products out of children's reach. To prevent personal injury, observe all warnings on product labels.

⚠ WARNING Before the laundry center is removed from service or discarded, remove the washer lid and dryer door to prevent accidental entrapment.

⚠ Failure to comply with these warnings could result in serious personal injuries.
Prevent Injury

⚠ WARNING To prevent shock hazard and assure stability during operation, the laundry center must be installed and electrically grounded by a qualified service person in accordance with local codes. Installation instructions are packed in the laundry center for the installer's reference. Refer to INSTALLATION INSTRUCTIONS for detailed grounding procedures. If the laundry center is moved to a new location, have it checked and reinstalled by a qualified service person.

⚠ WARNING To prevent personal injury or damage to the laundry center, the electrical power cord of a gas laundry center must be plugged into a properly grounded system. **Never ground the laundry center to a gas pipe. Do not use an extension cord or an adaptor plug.**

⚠ WARNING Follow package directions when using laundry products. Incorrect usage can produce poisonous gas--resulting in serious injury or death.

- **Do not** combine laundry products for use in 1 load unless specified on the label.

- **Do not** mix chlorine bleach with ammonia or acids such as vinegar.

⚠ WARNING To prevent serious personal injury and damage to the laundry center:

- **All repairs and servicing must be performed by an authorized servicer** unless specifically recommended in this Owner's Guide. Use only authorized factory parts.

- **Do not** tamper with controls.

- **Do not** install or store the laundry center where it will be exposed to the weather.

⚠ WARNING **ALWAYS disconnect** the laundry center from the electrical supply before attempting any service or cleaning. Failure to do so can result in electrical shock or injury.

⚠ WARNING Do not use any type spray cleanser when cleaning dryer interior. Hazardous fumes or electrical shock could occur.

⚠ WARNING To prevent injury, do not reach into the washer while parts are moving. Before loading, unloading or adding items, push in the cycle selector knob and allow the tub to coast to a complete stop before reaching inside.

⚠ WARNING To prevent injury, do not reach into the dryer if the drum is moving. Wait until the dryer has stopped completely before reaching into the drum.

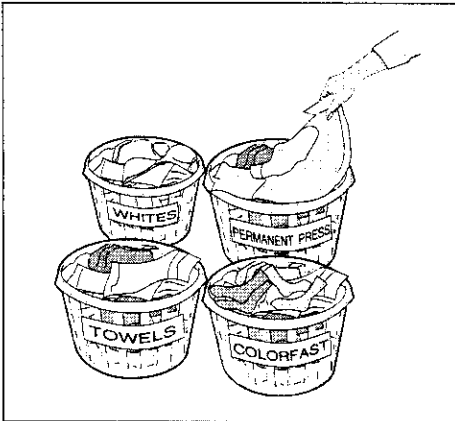
⚠ A thermal limiter switch automatically turns off the dryer motor in the unlikely event of an overheated situation (electric dryers only). A service technician must replace the thermal limiter switch after correcting the fault.

⚠ The washer is equipped with an electrical overload protector. The motor will stop if it becomes overheated. The washer will automatically restart after a cool down period of up to 30 minutes, if the washer has not been manually turned off during this time.

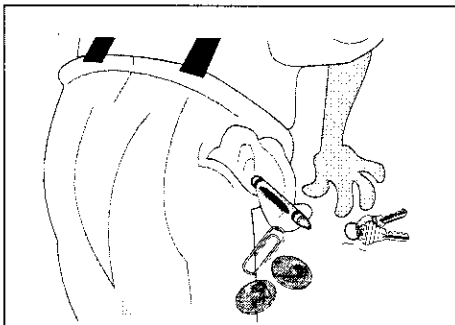
⚠ Failure to comply with these warnings could result in serious personal injuries.

SAVE THESE INSTRUCTIONS

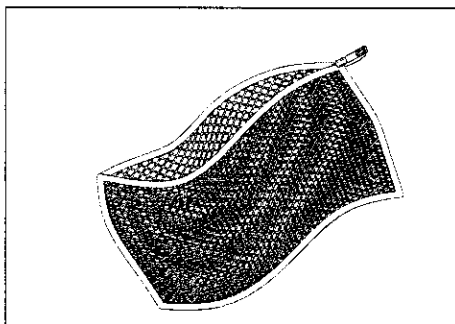
Washing Procedures



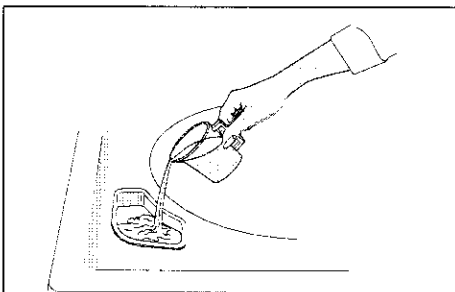
Sort laundry into loads that can be washed together.



Empty pockets.



Place delicate items in a mesh bag.



Bleach Dispenser (some models)

- Follow the guidelines below for preparing the wash load.
- Read the **Washer Operating Instructions**, pages 17-18, for operating your specific model.
- **Always read and follow fabric care and laundry product labels.**

⚠ WARNING To reduce the risk of fire, electrical shock, or injury to persons, read **Important Safety Instructions**, pages 2-4, before operating this washer.

1. Sort laundry into loads that can be washed together.

Sort items by recommended water temperatures, wash time, and agitate/spin speeds.

- Separate white, light, and colorfast items from dark and noncolorfast items.
- Separate items which shed lint from items which attract lint. Permanent press, synthetic, knit and corduroy items will pick up lint from towels, rugs and chenille bedspreads.
- Separate heavily soiled items from lightly soiled items.
- Separate lacy, sheer and loosely knit items from sturdy items.

2. Prepare items for washing.

- Empty pockets.
- Brush off lint and dirt. Shake out rugs and beach towels.
- Close zippers, fasten hooks, tie strings and sashes, and remove nonwashable trims and ornaments.
- Remove pins, decorative buttons, belt buckles, and other objects which could be damaged. This also helps protect other items in the wash load.
- Mend rips and tears to prevent further damage during washing.
- Place delicate items such as bras, shoulder pads, hosiery, and belts in a mesh bag to prevent tangling during the wash cycle.
- Turn knit items inside out to prevent pilling.

3. Pretreat stains and heavy soil.

See **Stain Removal**, pages 7-8, for details.

4. Add a measured amount of detergent to the wash tub before adding the laundry load.

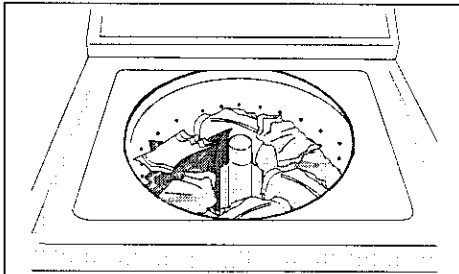
Follow detergent manufacturer's directions. The amount required depends on type of detergent, load size and soil level, and water hardness.

5. If desired, add liquid bleach to Bleach Dispenser (some models).

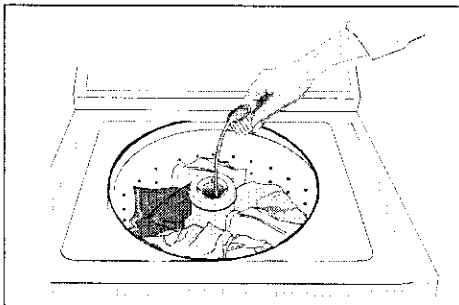
- Before adding the wash load, add liquid bleach to bleach dispenser located in left front corner under the lid:
 - 3/4 cup (180 ml) for small loads
 - 1 cup (240 ml) for large loads
 - 1-1/4 cups (300 ml) for extra-large loads.
- Then add 1 cup (240 ml) water to flush the dispenser.
- Do not use powdered bleach in the bleach dispenser.

For models without a bleach dispenser, dilute the recommended amount of liquid chlorine bleach in 1 quart (.95 L) water. Add it to wash water after a few minutes of agitation. **Do not pour bleach directly on wash load.**

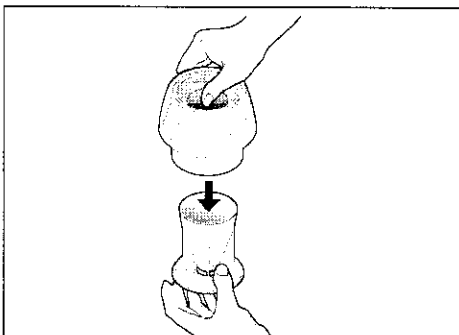
Washing Procedures (continued)



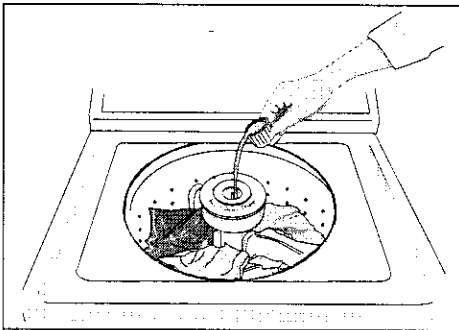
Do not load items above top row of holes in wash tub.



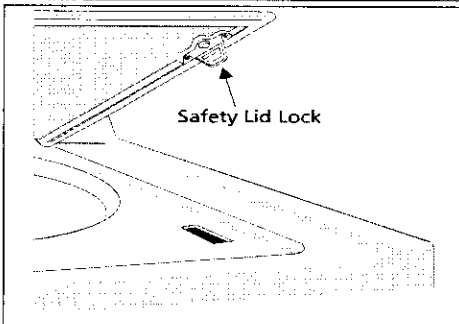
Built-In Fabric Softener Dispenser (some models)



Built-In Fabric Softener Dispenser (some models)



Removable Fabric Softener Dispenser (some models)



6. Add laundry load to washer.

- Dry load level should not be higher than top row of holes in wash tub. **Do not overload washer.**
- Do not put items on top of agitator or wrap them around it. Load items evenly.
- Combine large and small items in a load. Load large items first. Large items should not be more than half the total wash load.
- When washing a single heavy item, add 1 or 2 towels to balance the load.

7. If desired, add liquid fabric softener to Fabric Softener Dispenser (some models).

For models with a built-in dispenser (see picture to the left):

1. Add liquid softener to the dispenser, following fabric softener label directions.
2. Add water to bring liquid level to fill line on dispenser cap.
3. Remove the dispenser from the agitator after each use. Rinse both cap and cup with warm water. Replace dispenser in the agitator.

NOTE: To separate cap from cup, put thumb into dispenser and push against side of cup (see picture to the left). After cleaning, push cap and cup firmly together. Replace dispenser by lining up the ribs and grooves and snapping it into position. Fabric softener will be flushed from area under the built-in fabric softener dispenser when Large Load Water Level is selected. If a build-up of fabric softener occurs, clean with hot water. **DO NOT REMOVE SERVICE CAP.**

For models with a removable dispenser (see picture below to the left):

1. Attach fabric softener dispenser to top of agitator by pressing down gently.
2. Add softener to the dispenser, following fabric softener label directions.
3. Add water to bring liquid level to top of the peg in the center of the cup.
4. Remove the dispenser from the agitator after each use. Rinse both lid and bowl thoroughly with warm water. Reassemble and place dispenser on agitator or store it nearby.

For models without a fabric softener dispenser, follow fabric softener label directions. Add diluted fabric softener to the final rinse. **Do not pour fabric softener directly on the wash load.**

8. Set cycle selector knob and washer controls according to type, size, and soil level of each load, and detergent used.

See **Operating Instructions** for your specific model controls.

9. Start the washer.

Close the washer lid and pull out the cycle selector knob. The washer will not agitate or spin with the lid open.

- To stop the washer, push in the cycle selector knob.
- To change a cycle, push in the cycle selector knob. Turn it clockwise to the desired setting. Pull out the knob to restart the washer.

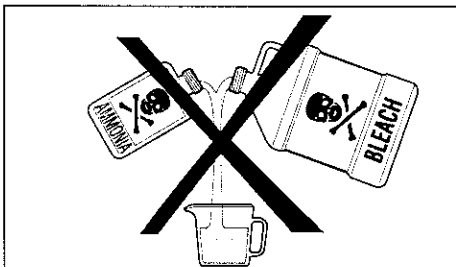
10. Remove items when the cycle is completed.

For your safety, the lid locks when the tub is spinning. It will remain locked for about 1 minute after the tub stops spinning.

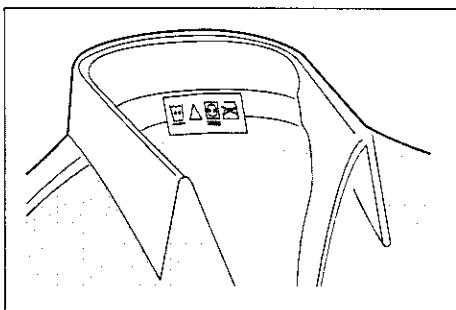
- To open the lid during a spin, push in the cycle selector knob and wait about 1 minute for the lid lock to release. Do not force open the locked lid. Place washed items in automatic dryer, line dry, or dry flat as directed by fabric care label. Excess wrinkling, color transfer or odors may develop in items left in the washer after the cycle has ended.

⚠ WARNING To avoid serious personal injury, do not operate washer if safety lid lock is missing or damaged.

Stain Removal



Do not combine stain removal products.



Follow fabric care label instructions.

Safe Stain Removal Procedures

⚠ WARNING To reduce the risk of fire or serious injury to persons or property, comply with the basic warnings listed below:

- Read and comply with all instructions on stain removal products.
- Keep products in their original labeled containers and out of children's reach.
- Thoroughly wash any utensil used.
- Do not combine stain removal products, especially ammonia and chlorine bleach. Dangerous fumes may result.
- Never wash items which have been previously cleaned in, washed in, soaked in or spotted with gasoline, dry cleaning solvents or other flammable or explosive substances because they give off vapors that could ignite or explode.
- Never use highly flammable solvents, such as gasoline, inside the home. Vapors can explode on contact with flames or sparks.

For successful stain removal:

- Remove stains promptly.
- Determine the kind of stain, then follow recommended treatment in the stain removal chart on the next page.
- To pretreat stains, use a prewash product, liquid detergent, or a paste made from granular detergent and water.
- Use cold water on unknown stains because hot water can set stains.
- Check care label instructions for treatments to avoid on specific fabrics.
- Check for colorfastness by testing stain remover on an inside seam.
- Rinse and wash items after stain removal.

STAIN	TREATMENT
Adhesive tape, chewing gum, rubber cement	Apply ice. Scrape off excess. Place stain face down on paper towels. Saturate with prewash stain remover or nonflammable dry cleaning fluid.
Baby formula, dairy products, egg	Use product containing enzymes to pretreat or soak stains. Soak for 30 minutes or more. Wash.
Beverages (coffee, tea, soda, juice, alcoholic beverages)	Pretreat stain. Wash using cold water and bleach safe for fabric.
Blood	Rinse with cold water. Rub with bar soap. Or, pretreat or soak with product containing enzymes. Wash using bleach safe for fabric.
Candle wax, crayon	Scrape off surface wax. Place stain face down between paper towels. Press with warm iron until wax is absorbed. Replace paper towels frequently. Treat remaining stain with prewash stain remover or nonflammable dry cleaning fluid. Hand wash to remove solvent. Wash using bleach safe for fabric.
Chocolate	Pretreat or soak in warm water using product containing enzymes. Wash using bleach safe for fabric.
Collar or cuff soil, cosmetics	Pretreat with prewash stain remover or rub with bar soap.
Dye transfer on white fabric	Use packaged color remover. Wash using bleach safe for fabric.
Grass	Pretreat or soak in warm water using product containing enzymes. Wash using bleach safe for fabric.
Grease, oil, tar (butter, fats, salad dressing, cooking oils, car grease, motor oils)	Scrape residue from fabric. Pretreat. Wash using hottest water safe for fabric. For heavy stains and tar, apply nonflammable dry cleaning fluid to back of stain. Replace towels under stain frequently. Rinse thoroughly. Wash using hottest water safe for fabric.
Ink	Some inks may be impossible to remove. Washing may set some inks. Use prewash stain remover, denatured alcohol or nonflammable dry cleaning fluid.
Mildew, scorch	Wash with chlorine bleach if safe for fabric. Or, soak in oxygen bleach and hot water before washing. Badly mildewed fabrics may be permanently damaged.
Mud	Brush off dry mud. Pretreat or soak with product containing enzymes.
Mustard, tomato	Pretreat with prewash stain remover. Wash using bleach safe for fabric.
Nail polish	May be impossible to remove. Place stain face down on paper towels. Apply nail polish remover to back of stain. Repeat, replacing paper towels frequently. Do not use on acetate fabrics.
Paint, varnish	WATER BASED: Rinse fabric in cool water while stain is wet. Wash. Once paint is dry, it cannot be removed. OIL BASED AND VARNISH: Use solvent recommended on can label. Rinse thoroughly before washing.
Perspiration	Use prewash stain remover or rub with bar soap. Rinse. Wash using nonchlorine bleach in hottest water safe for fabric.
Rust, brown or yellow discoloration	For spots, use rust remover safe for fabric. For discoloration of an entire load, use phosphate detergent and nonchlorine bleach. Do not use chlorine bleach because it may intensify discoloration.
Shoe polish	LIQUID: Pretreat with a paste of granular detergent and water. PASTE: Scrape residue from fabric. Pretreat with prewash stain remover or nonflammable dry cleaning fluid. Rinse. Rub detergent into dampened area. Wash using bleach safe for fabric.
Urine, vomit, mucus, feces	Pretreat or soak in product containing enzymes. Wash using bleach safe for fabric.

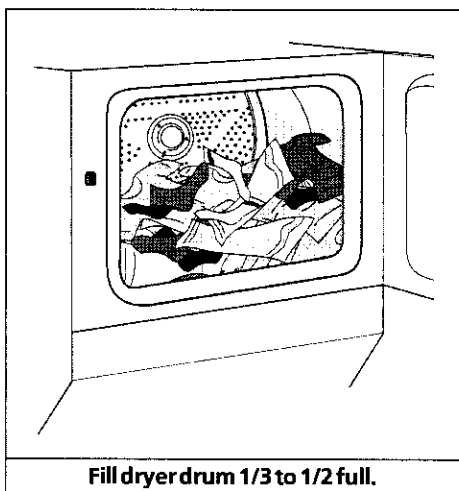
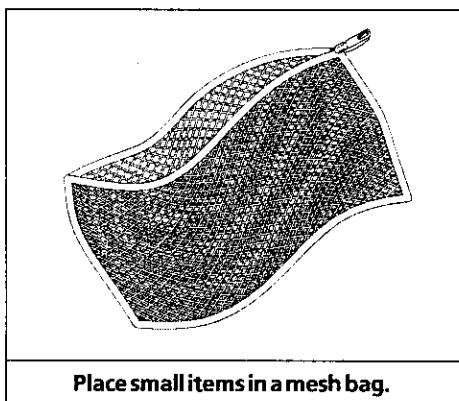
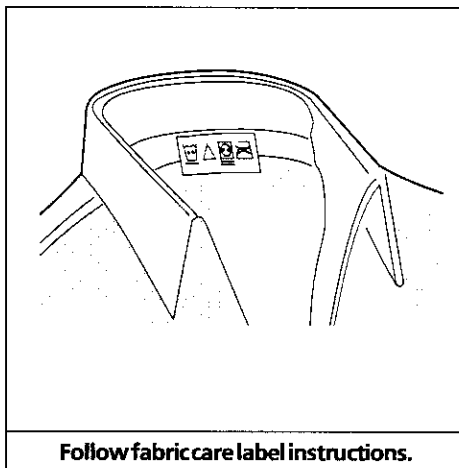
Common Washing Problems

Many washing problems involve poor soil and stain removal, residues of lint and scum, and fabric damage. For satisfactory washing results, follow these suggestions provided by The Soap and Detergent Association.

PROBLEM	POSSIBLE CAUSES	SOLUTIONS	PREVENTIVE MEASURES
Blue stains	<ul style="list-style-type: none"> •Detergent or liquid fabric softener did not dissolve or disperse. 	<ul style="list-style-type: none"> •If caused by detergent, mix 1 cup (240 ml) white vinegar with 1 quart (.95 L) water in a plastic container. Soak item 1 hour. Rinse. •If caused by fabric softener, rub stains with bar soap. Wash. 	<ul style="list-style-type: none"> •Add detergent before wash load. Then start washer. •Dilute fabric softener with water.
Discoloration, graying Greasy, oily stains	<ul style="list-style-type: none"> •Not enough detergent. •Wash water temperature too low. •Incorrect sorting. •Not enough detergent. •Undiluted liquid fabric softener poured directly on fabric. 	<ul style="list-style-type: none"> •Rewash with correct amount of detergent and hottest water safe for fabric. Add bleach safe for fabric. •Treat with prewash stain remover or liquid detergent. •Increase detergent and water temperature. Rewash. •Rub fabric softener stains with bar soap. 	<ul style="list-style-type: none"> •Sort items by soil level and color. •Use correct amount of detergent, hottest water and bleach safe for fabric. •Use correct amount of detergent and hottest water safe for fabric. •Do not pour liquid fabric softener directly on fabric. See package directions or Washing Procedures for proper diluting.
Holes, tears, or snags	<ul style="list-style-type: none"> •Incorrect use of chlorine bleach. •Unfastened zippers, hooks, buckles. •Rips, tears and broken threads. •Overloading the washer. •Degradation of fabric. 	<ul style="list-style-type: none"> •May be irreversible if rips, tears and seams cannot be mended. 	<ul style="list-style-type: none"> •Never pour chlorine bleach directly on fabric. •Check condition of items before washing. See Washing Procedures for preparing and loading the wash load.
Lint	<ul style="list-style-type: none"> •Incorrect sorting. •Tissues left in pocket. •Overloading the washer. •Not enough detergent. •Undissolved detergent has left residue. •Static cling is attracting lint. •Load washed too long 	<ul style="list-style-type: none"> •Reduce load size. Rewash using correct water temperature, water level, and amount of detergent. •Add nonprecipitating water conditioner to wash water. •Add liquid fabric softener to final rinse. •Dry load in dryer. •Remove lint with lint brush or roller. 	<ul style="list-style-type: none"> •See Washing Procedures for sorting and preparing the wash load. •Do not overload washer. •Use correct amount of detergent, water temperature and water level.
Pilling (Fibers break off, ball up and cling to fabric)	<ul style="list-style-type: none"> •Pilling is normal with synthetic and permanent press fabrics. This is due to abrasion from normal wear. 	<ul style="list-style-type: none"> •Use a lint brush or shaver to remove pills. 	<ul style="list-style-type: none"> •Use fabric softener in the washer to lubricate fibers. •When ironing, use spray starch or fabric finish on collars and cuffs. •Turn items inside out to reduce abrasion.
Residue or powder on dark items; Stiff, harsh fabrics.	<ul style="list-style-type: none"> •Undissolved detergent. •Some nonphosphate granular detergents can combine with hard water minerals to form a residue. 	<ul style="list-style-type: none"> •Reduce load size. •Add dissolved detergent to tub. Rewash load. •Mix 1 cup (240 ml) white vinegar to 1 gallon (3.8 L) warm water in plastic container. Soak item. Rinse and rewash. 	<ul style="list-style-type: none"> •Increase water temperature using hottest water safe for fabric. •Do not overload washer. •Use liquid detergent or use nonprecipitating water conditioner with nonphosphate granular detergent.
Wrinkling	<ul style="list-style-type: none"> •Overloading the washer. 	<ul style="list-style-type: none"> •Reduce load size. •Rinse in cold water with liquid fabric softener. 	<ul style="list-style-type: none"> •Do not overload washer. •Remove items from washer as soon as cycle is completed. •Use liquid fabric softener.
Yellow buildup of body soil on synthetic fabrics	<ul style="list-style-type: none"> •Agitation time too short. •Wash water temperature too low. •Not enough detergent. 	<ul style="list-style-type: none"> •Soak in detergent booster or product containing enzymes. •Wash in hot water (120°F/49°C) using full permanent press cycle. Increase detergent. Add bleach safe for fabric. •Or, treat with color remover. 	<ul style="list-style-type: none"> •Wash synthetics frequently using water at least 100°F (37°C) and correct water level.
Yellow or brown rust stains	<ul style="list-style-type: none"> •Iron or manganese in water supply, water pipes, or water heater. 	<ul style="list-style-type: none"> •To restore discolored load of whites, use rust remover safe for fabric. Do not use chlorine bleach to remove rust stains. It may intensify discoloration. 	<ul style="list-style-type: none"> •Use nonprecipitating water softener. •Before washing, run hot water for a few minutes to clear lines. •Drain water heater occasionally. •For an ongoing problem, install an iron filter in your water supply system.

Drying Procedures

- Follow the guidelines below for preparing the load for drying.
- Read the **Dryer Operating Instructions**, pages 19-20, for operating your specific model.
- **Always read and follow fabric care labels and laundry product labels.**



⚠ WARNING To reduce the risk of fire, electrical shock, or injury to persons, read **Important Safety Instructions**, pages 2-4, before operating this dryer.

1. Prepare items for drying.

- Dry items of similar fabric, weight and construction in the same load.
- Separate dark items from light-colored items. Separate items that shed lint from those that attract lint. If an item sheds lint, turn it inside out.
- Be sure buckles, buttons and trim are heatproof and won't damage the drum finish. Close zippers, fasten hooks and Velcro®-like fasteners. Tie strings and sashes to prevent snagging and tangling.
- If possible, turn pockets inside out for even drying.
- Check for stains which may not have been removed in washing. Dryer heat may permanently set some stains. Repeat stain removal process before drying.
- Place small items in a mesh bag to prevent tangling and for easy removal.

2. Check that lint screen is clean and in place.

3. Load the dryer.

- The average load will fill the drum 1/3 to 1/2 full. Items need room to tumble freely for even drying and less wrinkling. **Do not overload dryer.**
- When drying large items, dry only 2 or 3 at a time. Fill out the load with small and medium sized items.
- For delicate or very small loads, add 2 lint-free towels for better drying, less wrinkling, and to prevent grease stains caused by fabric softener sheets.
- Do not overdry items. Overdrying can cause wrinkling, shrinkage, harshness, and a build-up of static electricity, which can produce more lint.
- If desired, add a dryer fabric softener sheet.

4. Close the dryer door and set dryer controls (some models).

See **Dryer Operating Instructions** card for your specific model controls.

5. Turn cycle selector clockwise to the desired setting.

6. Start the dryer.

- Turn Start control clockwise to ON. Hold for 1-2 seconds and release.
- To add or remove items when the dryer is running, open the door. The dryer will always stop when the door is opened.
- Allow the drum to come to a complete stop before reaching inside.

7. When the cycle ends, remove items immediately and hang or fold.

If load is removed before the cycle ends, turn cycle selector to OFF.

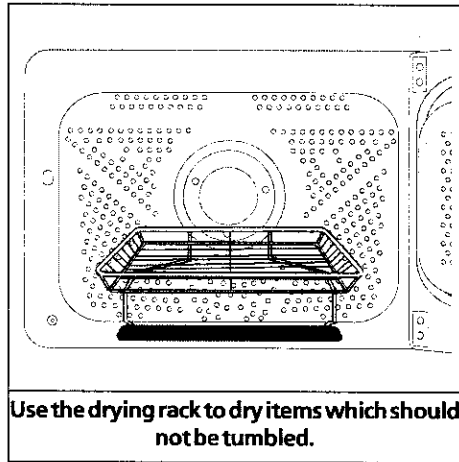
Features

Cycle Signal Control (some models)

When the Cycle Signal Control is ON, a signal will sound at the end of each cycle and during the Press Saver setting (some models). The volume is adjustable on some models.

Drum Light (some models)

A drum light will come on whenever the door is opened to illuminate the dryer drum during loading and unloading. Closing the door turns off the light.



Drying Rack (some models)

Use the drying rack to dry items which should not be tumble dried.

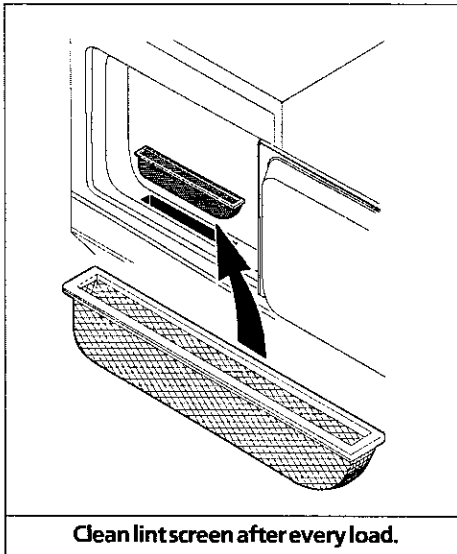
1. Open the dryer door and remove the lint screen.
2. Insert drying rack into the dryer drum. Place the front bar under the lip of the lint screen opening.
3. Place items to be dried on top of rack. Weight should not exceed 10 lbs. Leave space between items, but do not let items hang over the sides or through the grids. Do not tumble other items when using the drying rack.
4. Select a timed dry setting best suited for items being dried. Use only the Air Fluff (no heat) temperature setting for items containing plastic, foam rubber, rubber-like materials, feathers or down.
5. When items are dry, remove the rack and replace the lint screen. If lint screen is not in place, tumbling items could enter the exhaust system and cause damage to the dryer.

Common Drying Problems

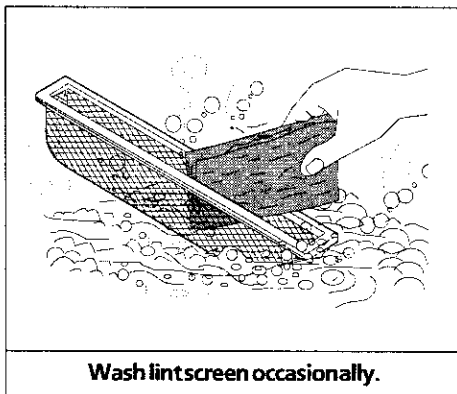
Many drying problems involve poor cleaning results, poor soil and stain removal, residues of lint and scum, and fabric damage. For satisfactory drying results, follow these suggestions provided by The Soap and Detergent Association.

PROBLEM	POSSIBLE CAUSES	SOLUTIONS	PREVENTIVE MEASURES
Greasy, oily stains	<ul style="list-style-type: none"> •Fabric softener sheet. 	<ul style="list-style-type: none"> •Rub fabric softener stains with bar soap. •Rinse and rewash. 	<ul style="list-style-type: none"> •Add a few bath towels to small loads for proper tumbling. •Some "silk-like" fabrics should be air dried. •Use proper drying temperature. •Place fabric softener sheet on top of load before starting the dryer.
Lint	<ul style="list-style-type: none"> •Overloading. •Overdrying causes static electricity. •Lint screen not clean when cycle began. •Lint is attached to "pills." 	<ul style="list-style-type: none"> •Reduce load size and rewash using liquid fabric softener in the final rinse. •Or, add a fabric softener sheet and tumble without heat. •Use lint brush or roller to remove lint. 	<ul style="list-style-type: none"> •Do not overload dryer. •Use fabric softener in washer or dryer to reduce static electricity. •Remove items when they are slightly damp to avoid overdrying. •Check that lint screen is clean and in place.
Pilling (Fibers break off, ball up and cling to fabric.)	<ul style="list-style-type: none"> •Pilling is normal with synthetic and permanent press fabrics. This is due to abrasion from normal wear. 	<ul style="list-style-type: none"> •Use a lint brush or shaver to remove pills. 	<ul style="list-style-type: none"> •Use fabric softener to lubricate fibers. •When ironing, use spray starch or fabric finish on collars and cuffs. •Turn items inside out to reduce abrasion.
Shrinking	<ul style="list-style-type: none"> •Overdrying. 	<ul style="list-style-type: none"> •Irreversible condition. 	<ul style="list-style-type: none"> •Follow fabric care label directions. •If shrinking is a concern, check load often. •Remove items while slightly damp. •Block knits into shape. •Lay flat to complete drying.
Wrinkling	<ul style="list-style-type: none"> •Overloading. •Leaving items in dryer after cycle ends. 	<ul style="list-style-type: none"> •Reduce load size and tumble at medium or low heat for 5-10 minutes. •Remove items immediately. Hang or fold. 	<ul style="list-style-type: none"> •Do not overload dryer. •Remove items as soon as cycle ends.

Care and Cleaning



Clean lint screen after every load.



Wash lint screen occasionally.

CAUTION Use care with laundry products. They can damage finish on the laundry center.



WARNING To reduce risk of fire or serious injury to persons or property, comply with the basic warnings listed in *Important Safety Instructions*, pages 2-4, and those listed below.

- Before cleaning the washer or dryer interior, **unplug the electrical power cord** to avoid electrical shock hazards.
- Do not use any type spray cleanser when cleaning dryer interior. Hazardous fumes or electrical shock could occur.

Inside the Washer

- Remove items from the washer as soon as the cycle ends. Excess wrinkling, color transfer, and odors may develop in items left in the washer.
- Dry the washer top, the area around the lid opening, and the underside of the lid. These areas should always be dry before the lid is closed.
- Before cleaning the washer interior, **unplug the electrical power cord** to avoid electrical shock hazards.
- When extremely soiled items have been washed, a dirty residue may remain on the tub. Remove this by wiping the tub with a nonabrasive household cleanser. Rinse thoroughly with water.
- The agitator or tub may become stained from fabric dye. Clean these parts with a nonabrasive household cleanser. This prevents dye transfer to future loads.

Inside the Dryer

- Clean the dryer lint screen after every load. Lint build-up in the screen restricts air flow, which causes longer drying times. The screen is located at the bottom of the door opening. Remove by pulling straight up. Remove the lint and replace the screen.
- Occasionally a waxy build-up may form on the lint screen from using dryer-added fabric softener sheets. To remove this build-up, wash the lint screen in warm, soapy water. Dry thoroughly and replace. Do not operate the dryer without the lint screen in place.
- If the dryer drum becomes stained from noncolorfast fabrics, clean the drum with a damp cloth and a mild liquid household cleanser. Remove cleanser residue before drying the next load.
- Every 18 months an authorized servicer should clean the dryer cabinet interior and exhaust duct. These areas can collect lint and dust over time. An excessive amount of lint build-up could result in inefficient drying and possible fire hazard.

Outside

- When laundering is completed, wipe cabinet with a damp cloth. Turn water faucets off to prevent pressure build-up in the hoses.
- Clean the cabinet with mild soap and water. **Never use harsh, gritty or abrasive cleansers.** If the cabinet becomes stained, clean with diluted chlorine bleach [1/2 cup (120 ml) in 1 quart (.95 L) water]. Rinse several times with clear water.
- Remove glue residue from tape or labels with a mixture of warm water and mild detergent. Or, touch residue with the sticky side of the tape or label.
- **Before moving the laundry center**, place a strip of cardboard or thin fiberboard under the front leveling legs to prevent floor damage.

Follow Winterizing Instructions for cold weather care.



Winterizing Instructions

If the laundry center is stored in an area where freezing can occur or moved in freezing temperatures, follow these winterizing instructions to prevent damage to the laundry center:

1. Turn off water supply faucets.
2. Disconnect hoses from water supply and drain water from hoses.
3. Plug electrical cord into a properly grounded electrical outlet.
4. Add 1 gallon nontoxic recreational vehicle (RV) antifreeze to empty wash tub. Close lid.
5. Set cycle selector knob at a spin setting. Pull out knob and let washer spin for 1 minute to drain out all water. Not all of the RV antifreeze will be expelled.
6. Push in knob, unplug electrical power cord, dry tub interior, and close lid.
7. Store washer in an upright position.
8. To remove antifreeze from washer after storage, run empty washer through a complete cycle using detergent. **Do not add wash load.**

Avoid Service Checklist

Before calling for service, review this list. It may save both time and expense. The list includes common concerns that are not the result of defective workmanship or materials in this laundry center.

OCCURRENCE

POSSIBLE CAUSE

SOLUTION

WASHER - NOISE

"Clunking" or gear sounds.	A certain amount of "clunking" or gear sounds are normal in a heavy-duty washer.	This is normal.
Rattling and danking noise.	Foreign objects such as coins or safety pins may be in tub or pump.	Stop washer and check tub. If noise continues after washer is restarted, objects may be in pump. Call your authorized servicer.
	Belt buckles and metal fasteners are hitting wash tub.	To prevent unnecessary noise and damage to tub, fasten fasteners and turn items inside out.
Squealing sound or hot rubber odor.	Washer is overloaded.	Do not overload washer. Stop washer and reduce load.
Thumping sound.	Heavy wash loads may produce a thumping sound.	This is usually normal. If sound continues, washer is probably out of balance. Stop washer and redistribute wash load.
Vibrating noise.	Laundry center is not resting on a solid, firm floor.	Move laundry center so it rests firmly on solid floor. Additional floor bracing may be needed. Adjust leveling legs. See INSTALLATION INSTRUCTIONS for details.
	Shipping bolt and block have not been removed during installation.	See INSTALLATION INSTRUCTIONS for removing shipping bolt and block.
	Wash load unevenly distributed in tub.	Stop washer and rearrange wash load.

WASHER - OPERATING

Washer does not start.	Electrical power cord may not be plugged in or connection may be loose.	Make sure plug fits tightly in wall outlet.
	House fuse blown, circuit breaker tripped, or a power outage has occurred.	Reset circuit breaker or replace fuse. Do not increase fuse capacity. If problem is a circuit overload, have it corrected by a qualified electrician. If problem is a power outage, call local electric company.
	Water supply faucets are not turned on.	Turn on water supply faucets.

OCCURRENCE	POSSIBLE CAUSE	SOLUTION
WASHER - OPERATING		
(continued)		
Washer does not start (continued).	Cycle selector is not in correct position.	Move indicator clockwise slightly. Pull out knob.
	Motor is overheated.	Washer motor will stop if it becomes overheated. It will automatically restart after a cool down period of up to 30 minutes (if washer has not been manually turned off).
Washer won't spin.	Lid is not completely closed.	Close lid completely. Safety lid lock must not be broken.
Residue left in tub.	Heavily soiled items.	Wipe tub with a nonabrasive household cleanser, then rinse. Shake or brush excess dirt and sand from items before washing.
WASHER - WATER		
Wash load too wet after spin.	Washer is overloaded.	Do not overload washer. See Washing Procedures .
	Load is out of balance.	Rearrange load to allow proper spinning.
	Drain hose is kinked.	Straighten drain hose.
Water does not enter washer or it enters slowly.	Water supply is not adequate in area.	Check another faucet in the house. Wait until water supply and pressure increase.
	Water supply faucets are not completely open.	Fully open hot and cold faucets.
	Water is being used elsewhere in the house.	Water pressure must be at least 30 psi (260 kPa). Avoid running water elsewhere while washer is filling.
	Water inlet hoses are kinked.	Straighten hoses.
Water level does not cover load.	Improper water level selection (for models with water level/load size control).	Select higher water level/load size.
	Washer is overloaded.	Do not overload washer. When control is set at highest fill level, dry load level should not be higher than top row of circular holes in wash tub.
Warm or hot water is not hot enough.	Hot water heater is set too low or is a distance from laundry center.	Measure hot water temperature at nearby faucet with candy or meat thermometer. Water temperature should be at least 130°F (70°C). Adjust water heater as necessary.
	Hot water is being used elsewhere in the house.	Avoid using hot water elsewhere before or during washer use. There may not be enough hot water available for proper cleaning. If problem persists, your hot water system may be unable to support more than 1 use at a time.
Water in washer does not drain or drains slowly.	Drain hose is kinked or clogged.	Clean and straighten the drain hose.
Water leaks.	Fill hose connection at faucet or washer.	Check and tighten hose connections. Install rubber sealing washers provided.
	House drain pipes are clogged.	Unclog drain pipes. Contact plumber if necessary.
	Oversudsing.	Use less detergent.
Incorrect wash and rinse temperatures.	Hot and cold water hoses are connected to wrong supply faucets.	Connect hot water hose to hot water faucet and cold water hose to cold water faucet.
Water is entering washer but tub does not fill.	Drain hose standpipe is incorrect height.	Standpipe must be a minimum of 33" (83.82 cm) high to prevent siphoning. See INSTALLATION INSTRUCTIONS.

OCCURRENCE	POSSIBLE CAUSE	SOLUTION
Dryer <i>Dryer does not start.</i>	Electrical power cord is not securely plugged in or plug may be loose.	Make sure the plug fits tightly in wall outlet.
	House fuse blown or circuit breaker tripped.	Reset circuit breaker or replace fuse. Make sure electrical line is not overloaded and the dryer is on a separate circuit.
	Thermal limiter tripped.	Call authorized service person for replacement.
<i>Dryer runs but won't heat.</i>	There are 2 house fuses in the dryer circuit. If 1 of the 2 fuses is blown, the drum may turn but the heater will not operate.	Replace fuse.
	Gas supply valve is not open (gas models).	Check to make sure supply valve is open. See INSTALLATION INSTRUCTIONS for procedure.
	Dryer does not have enough air supply to support the burner flame (gas models).	See INSTALLATION INSTRUCTIONS.
	LP gas supply tank is empty or there has been a utility interruption of natural gas (gas models).	Refill or replace tank. Dryer should heat when utility service is restored.
<i>Drying cycle takes too long, outside of the dryer feels too hot or smells hot.</i>	Lint screen is clogged with lint.	Make sure all lint has been removed from the dryer lint screen before starting each cycle.
	Exhaust duct requirements have not been met.	Exhaust duct must be at least 4 inches in diameter and made of rigid or flexible metal. When in place, the duct must have no more than two 90° bends and must not exceed length listed in INSTALLATION INSTRUCTIONS.
	Electric dryer is connected to a 208 volt circuit.	Drying time will be 20% longer than drying on a 240 volt circuit.
	Drying procedures have not been followed.	See Drying Procedures , page 10.
	Outside exhaust hood or exhaust duct may be clogged or restricted.	Clean out any obstruction.
	<i>Excessive wrinkling.</i>	High humidity.
Dryer is overloaded.		Do not overload. See Drying Procedures , page 10.
Items left in dryer too long.		Remove items as soon as cycle ends.
Insufficient sorting of items.		See Drying Procedures , page 10.
Drying temperature too high.		Follow fabric care label instructions.

SEARS LAUNDRY CENTER WARRANTY

Full One Year Warranty on Mechanical and Electrical Parts

For one year from the date of purchase, if this Laundry Center is installed and operated according to the instructions in the Owner's Guide, Operating Instructions, and Installation Instructions. Sears will repair or replace any of its mechanical or electrical parts if they are defective in material or workmanship.

NOTE: Exhausting your Laundry Center with plastic product may void this warranty. The Installation Instructions manual describes the complete exhaust requirements for this Laundry Center.

Limited Five Year Warranty on Gear Case Parts

After one year and until five years from the date of purchase, Sears will replace any gear case parts that are defective in material or workmanship. You must pay the labor cost to have them installed.

Limited Ten Year Warranty on Plastic Tub

After one year and until ten years from the date of purchase. Sears will furnish a replacement plastic tub for any plastic tub that is defective in material or workmanship. You must pay the labor cost to have the plastic tub installed.

Warranty Restriction

If the Laundry Center is operated for any purpose other than Private Family Use, all warranty coverage is effective for only 90 days.

Warranty Service

Warranty service is available by contacting your nearest Sears Service Center in the United States.

This warranty applies only while this Laundry Center is in use in the United States.

This warranty gives you specific legal rights, and you may also have other rights which vary from state to state.

**Sears, Roebuck and Co., Dept. 817WA,
Hoffman Estates, IL 60179**

Your safety and the safety of others is very important.

We have provided many important safety messages in the Owner's Guide, Operating Instructions, Installation Instructions and on your appliance. Always read and obey all safety messages.



This is the safety alert symbol. This symbol alerts you to hazards that can kill or hurt you or others. All safety messages will be preceded by the safety alert symbol and the word "DANGER" or "WARNING". These words mean:



You will be killed or seriously injured if you don't follow instructions.



You can be killed or seriously injured if you don't follow instructions.

All safety messages will identify the hazard, tell you how to reduce the chance of injury, and tell you what can happen if the instructions are not followed.

⚠ ADVERTENCIA Para su seguridad, siga las instrucciones contenidas en este manual a fin de reducir a un mínimo los riesgos de incendio o explosión o para evitar daños materiales, lesiones personales o la muerte.

- No almacene ni utilice gasolina u otros vapores y líquidos inflamables en la proximidad de éste o de cualquier otro artefacto eléctrico.

- **QUE DEBE HACER SI PERCIBE OLOR A GAS:**

- No trate de encender ningún artefacto eléctrico.
- No toque ningún interruptor eléctrico; no use ningún teléfono en su edificio.
- Haga salir a todos los ocupantes de la habitación, del edificio y del lugar.
- Llame a su proveedor de gas desde el teléfono de un vecino. Siga las instrucciones del proveedor de gas.
- Si no logra comunicarse con su proveedor de gas, llame al departamento de bomberos.

La instalación y el servicio de mantenimiento debe realizarlos un instalador calificado, la agencia de servicios o el proveedor de gas.

Instrucciones Importantes de Seguridad

Lea todas las Instrucciones antes de usar esta lavadora y secadora superpuestas.

⚠ ADVERTENCIA Para reducir el riesgo de incendio, choque eléctrico o lesiones personales cuando se está usando la lavadora y secadora superpuestas, siga las siguientes precauciones básicas.

⚠ El incumplimiento de estas advertencias puede resultar en lesiones personales serias.

Evite los Incendios

⚠ ADVERTENCIA No lave o seque artículos que han sido anteriormente limpiados, remojados o manchados con gasolina, solventes de limpieza, kerosén, cera, etc. No guarde estos artículos en o cerca de la secadora. Estas sustancias emiten vapores que pueden inflamarse o explotar.

⚠ ADVERTENCIA No coloque en su secadora ninguna prenda que haya sido expuesta a los aceites de cocina. El aceite de cocina contenido en estas prendas puede crear una reacción química que puede causar a las prendas de encenderse.

⚠ ADVERTENCIA No ponga paños o ropas manchadas con aceite o grasa sobre la lavadora y secadora superpuestas. Estas sustancias desprenden calor y vapores que pueden hacer encender los materiales.

⚠ ADVERTENCIA No agregue gasolina, solventes de limpieza u otras sustancias explosivas o inflamables al agua de lavado. Estas sustancias emiten vapores que pueden inflamarse o explotar.

⚠ ADVERTENCIA Bajo ciertas condiciones se puede producir hidrógeno en un sistema de agua caliente que no ha sido usado por 2 semanas o más.

EL HIDROGENO ES EXPLOSIVO. Si el sistema del agua caliente no ha sido usado por un período de esa longitud, antes de usar la lavadora, abra todas las llaves del agua caliente y deje correr el agua durante varios minutos. Esto eliminará el hidrógeno acumulado. Debido a que el gas es inflamable, no fume ni use una llama abierta en tal momento.

⚠ ADVERTENCIA Para evitar incendios no use calor para secar artículos que contienen plástico, goma de espuma o materiales similares a la goma, ni almohadas o ropas que contengan plumas de ave. Use solamente "AIR FLUFF" (Aire Sin Calor).

⚠ ADVERTENCIA Limpie el filtro de pelusa de la secadora antes y después de cada uso. El interior de la secadora, la caja del filtro de pelusa y el ducto de escape deben ser limpiados aproximadamente cada 18 meses por personal de servicio calificado. Cualquier acumulación excesiva de pelusas en estas áreas puede resultar en secado deficiente y posible incendio. Ver **Cuidado y Limpieza**, páginas 12-13.

⚠ ADVERTENCIA No haga funcionar la secadora si el filtro de pelusa está bloqueado, dañado o no está colocado. Puede ocurrir sobrecalentamiento, daño a las telas y un peligro de incendio. Si su secadora tiene una parrilla de secado, siempre vuelva a colocar el filtro de pelusa cuando termine de usar la parrilla.

⚠ ADVERTENCIA Mantenga el área alrededor de la abertura del escape y las áreas vecinas sin acumulación de pelusa, polvo y suciedad.

⚠ ADVERTENCIA No obstruya el flujo del aire de ventilación. No apile ropa de lavar o alfombras en frente o detrás de lavadora y secadora superpuestas.

Este Manual del Usuario le proporciona instrucciones de funcionamiento generales para su lavadora y secadora superpuestas. Además contiene información sobre las características para varios otros modelos. Su lavadora y secadora superpuestas pueden no tener todas las características descritas en este manual.

Use la lavadora y secadora superpuestas solamente como se indica en este Manual y en las tarjetas de **Instrucciones de Funcionamiento** que se incluyen con la lavadora y secadora superpuestas.

Nota: Las instrucciones incluidas en este Manual del Usuario, no pueden cubrir todas las situaciones o condiciones posibles que puedan presentarse. Por lo tanto, se debe usar sentido común y tener cuidado cuando se instala, se hace funcionar y se repara cualquier artefacto.

<p>⚠ ADVERTENCIA Evite los riesgos de incendios o choque eléctrico. No use un cordón de extensión o un adaptador para el tomacorriente, ni saque ninguna espiga del enchufe del cordón eléctrico. El incumplimiento de esta advertencia puede causar una lesión grave, un incendio o la muerte.</p>		<p>⚠ ADVERTENCIA No use ni mezcle blanqueador de cloro líquido con otros productos químicos domésticos tales como productos para limpiar el baño, antioxidantes, productos ácidos o que contengan amoníaco. Estas mezclas pueden producir vapores peligrosos que pueden causar lesiones graves o la muerte.</p> 
--	---	--

Instrucciones importantes de Seguridad (continuación)

CONSERVE ESTAS INSTRUCCIONES

⚠ ADVERTENCIA Nunca rocíe ningún tipo de aerosol dentro, encima o cerca de la lavadora y secadora superpuestas.

⚠ ADVERTENCIA No use suavizantes de ropa ni productos para eliminar la estática a menos que sea recomendado por el fabricante del suavizante de ropa o del producto.

⚠ El incumplimiento de estas advertencias puede resultar en incendio, explosión, lesiones corporales graves y/o daño a las piezas de goma o plástico de la lavadora y secadora superpuestas.

Proteja a los Niños

⚠ ADVERTENCIA No permita que los niños jueguen con la lavadora y secadora superpuestas. Es necesario supervisar atentamente cuando la lavadora y secadora están siendo usadas cerca de los niños. A medida que los niños crecen, enséñeles a usar en forma segura y correcta todos los artefactos.

⚠ ADVERTENCIA Destruya la caja de cartón, las bolsas de plástico y los flejes de metal después de que se ha desempacado la lavadora y secadora superpuestas. Los niños pueden jugar. Las cajas de cartón cubiertas con alfombras, colchas o plástico pueden transformarse en cámaras herméticas.

⚠ ADVERTENCIA Mantenga los productos de lavandería fuera del alcance de los niños. Para evitar lesión personal observe todas las advertencias de las etiquetas de los productos.

⚠ ADVERTENCIA Antes de que la lavadora y secadora superpuestas sean enviadas a servicio o descartadas, saque la tapa de la lavadora y de la secadora para evitar que alguien quede atrapado accidentalmente en el interior.

⚠ El incumplimiento de estas advertencias puede resultar en lesiones personales graves.

Evite las Lesiones

⚠ ADVERTENCIA La lavadora y secadora superpuestas deben ser instaladas y puestas a tierra de acuerdo con los códigos locales por un técnico de servicio calificado para evitar el riesgo de choque eléctrico y asegurar estabilidad durante el funcionamiento. Las instrucciones de instalación han sido colocadas en la lavadora y secadora superpuestas para referencia del instalador. Consulte las INSTRUCCIONES DE INSTALACION para los detalles del procedimiento de puesta a tierra. Si la lavadora y secadora superpuestas son transportadas a un nuevo lugar, hágalas revisar y reinstalar por un técnico de servicio calificado.

⚠ ADVERTENCIA Para evitar lesión personal o daño a la lavadora y secadora superpuestas, el cordón eléctrico debe ser enchufado en un tomacorriente de 3 tomas debidamente puesto a tierra y polarizado. **Nunca se debe sacar la tercera clavija de puesta a tierra. Nunca ponga a tierra la lavadora y secadora superpuestas en una tubería de gas. No use un cordón de extensión o un adaptador.**

⚠ ADVERTENCIA Siga las instrucciones de los envases cuando use productos de lavandería. El uso incorrecto puede producir gas venenoso – resultando en una lesión grave o la muerte.

- **No** combine productos de lavandería para usar en una carga a menos que así se especifique en la etiqueta.
- **No** mezcle el blanqueador de cloro con amoníaco o ácidos tales como el vinagre.

⚠ ADVERTENCIA Para evitar lesión personal y daños a la lavadora y secadora superpuestas:

- **Todas las reparaciones deben ser efectuadas por un técnico autorizado** a menos que haya sido específicamente recomendado en este Manual del Usuario. Use solamente piezas autorizadas por la fábrica.
- **No** modifique los controles.
- **No** instale o almacene la lavadora y secadora superpuestas donde estará expuesta a las inclemencias del tiempo.

⚠ ADVERTENCIA **SIEMPRE desconecte** la lavadora y secadora superpuestas de la alimentación eléctrica antes de intentar efectuar reparación o limpieza. De lo contrario puede producirse un choque eléctrico o lesión.

⚠ ADVERTENCIA No use ningún tipo de limpiador en aerosol cuando limpie el interior de la secadora. Pueden producirse vapores peligrosos o choque eléctrico.

⚠ ADVERTENCIA Para evitar lesiones, nunca trate de alcanzar algo en el interior de la lavadora cuando las piezas están en movimiento. Antes de poner, sacar o agregar artículos, oprima el botón selector de ciclo y deje que la tina se detenga completamente antes de alcanzar el interior de la lavadora.

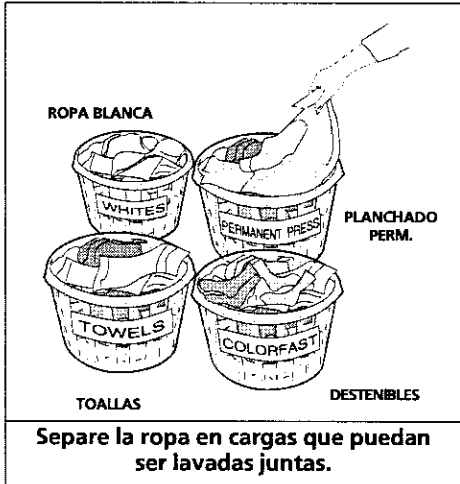
⚠ ADVERTENCIA Para evitar lesiones, no introduzca la mano en la secadora si el tambor se está moviendo. Espere hasta que la secadora se haya completamente antes de hacerlo.

⚠ Un ruptor térmico apaga automáticamente el motor de la secadora en el improbable caso de producirse sobrecalentamiento (secadoras eléctricas solamente). Un técnico electricista debe reemplazar el ruptor térmico después de corregir la falla.

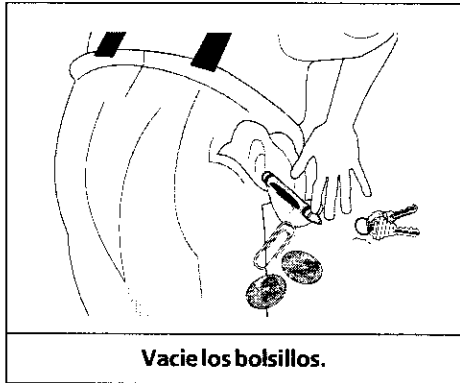
⚠ La lavadora está equipada con un protector de sobrecarga eléctrica. El motor se detendrá si se sobrecalienta. La lavadora se pondrá automáticamente en marcha nuevamente después de un período de enfriamiento de hasta 30 minutos, si es que no ha sido apagada manualmente en ese momento.

⚠ El incumplimiento de estas advertencias puede resultar en lesiones personales graves.

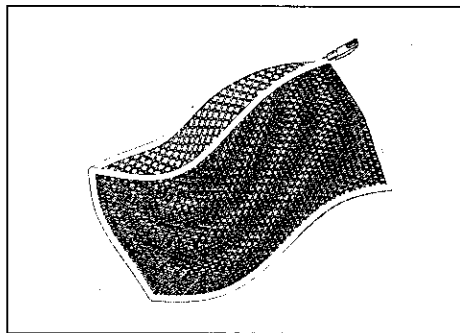
Métodos de Lavado



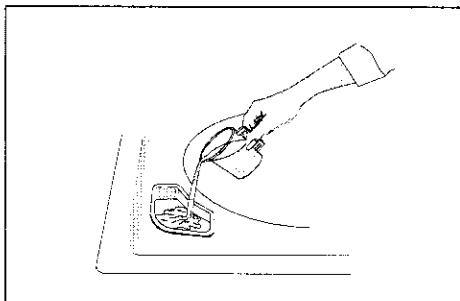
Separe la ropa en cargas que puedan ser lavadas juntas.



Vacíe los bolsillos.



Coloque los artículos delicados en una bolsa de malla.



Depósito del Blanqueador (algunos modelos)

- Siga las instrucciones indicadas a continuación para separar la ropa.
- Lea la tarjeta de **Instrucciones de Funcionamiento de la Lavadora** correspondiente a su modelo específico.
- **Siempre lea y siga las indicaciones de las etiquetas sobre cuidado de las telas y de los productos para el lavado.**

⚠ ADVERTENCIA Para reducir el riesgo de incendio, choque eléctrico o lesiones personales, antes de usar esta lavadora, lea la sección **Instrucciones Importantes de Seguridad**, páginas 2-4.

1. Separe la ropa en cargas que puedan ser lavadas juntas.

Separe los artículos de acuerdo a las temperaturas del agua recomendada, a la duración del lavado y a las velocidades de agitación y exprimido.

- Separe los artículos blancos, livianos y que no destiñen de los artículos oscuros y que destiñen.
- Separe los artículos que producen pelusa de aquellos que atraen pelusa. Los artículos de planchado permanente, sintéticos, tejidos y de pana atraerán la pelusa de las toallas, alfombras y cubrecamas de felpillas.
- Separe los artículos que están demasiado manchados de aquellos que están menos sucios.
- Separe los artículos de encaje, transparentes y tejidos livianos de aquellos artículos más resistentes.

2. Prepare la ropa para el lavado.

- Vacíe los bolsillos.
- Escobille la pelusa y suciedad. Sacuda las alfombras y las toallas de playa.
- Cierre los zippers, abroche los ganchos, amarre los cordones, lazos o cinturones y saque los adornos y ornamentos que no sean lavables.
- Saque los alfileres, botones decorativos, hebillas de cinturones y otros objetos que puedan dañarse. Esto también ayuda a proteger otros artículos del lavado.
- Remiende los rasgones para evitar que se dañen más durante el lavado.
- Coloque los artículos delicados tales como sostenes, hombreras, medias y cinturones en una bolsa de malla para evitar que se enreden durante el lavado.
- Coloque al revés los artículos tejidos para evitar que produzcan pelusa.

3. Prelavado de manchas y suciedad más impregnada.

Ver **Limpieza de Manchas**, páginas 7-8, para los detalles.

4. Agregue una cantidad medida de detergente a la tina de la lavadora antes de colocar la ropa.

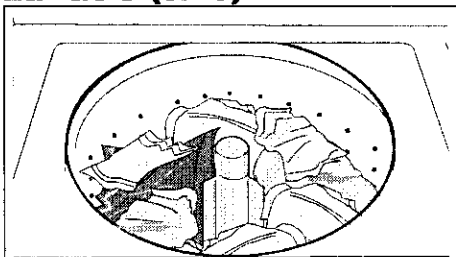
Siga las indicaciones del fabricante del detergente. La cantidad requerida depende del tipo de detergente, del tamaño de la carga y nivel de suciedad y de la dureza del agua.

5. Si se desea, agregue blanqueador líquido al Depósito del Blanqueador (algunos modelos).

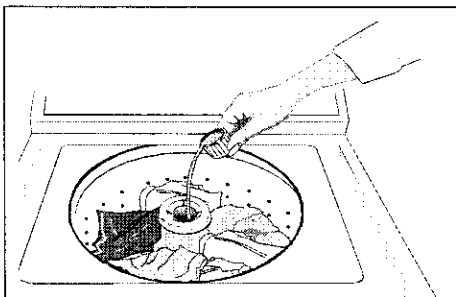
- Antes de colocar la ropa, agregue blanqueador líquido al depósito del blanqueador situado en la esquina delantera derecha bajo la tapa:
 - 3/4 de taza (180 ml) para cargas pequeñas
 - 1 taza (240 ml) para cargas grandes
 - 1-1/4 tazas (300 ml) para cargas muy grandes.
- Luego agregue 1 taza (240 ml) de agua para lavar el depósito.
- No use blanqueador en polvo en el depósito del blanqueador.

Para los modelos que no tienen un depósito para el blanqueador, disuelva la cantidad recomendada de blanqueador de cloro líquido en 1 cuarto de galón (0,95 L) de agua. Agréguelo al agua del lavado después de unos pocos minutos de agitación. **No vacíe el blanqueador directamente sobre la ropa.**

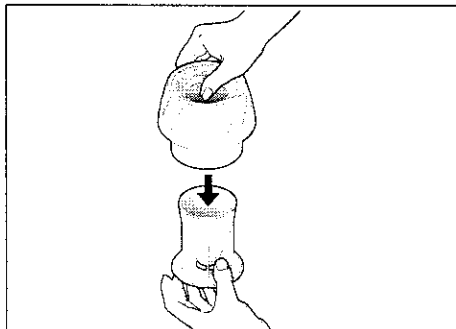
Procedimientos para el Lavado (cont.)



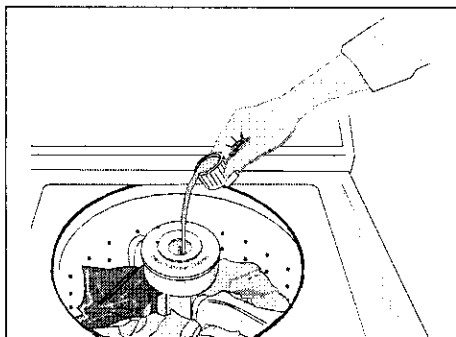
No recargue artículos más arriba de la primera fila de agujeros de la tina para lavado.



Dispensador para Suavizadores de Telas incorporado (algunos modelos)



Dispensador para Suavizadores de Telas incorporado (algunos modelos)



Dispensador para Suavizadores de Telas amovible (algunos modelos)

6. Agregue a la lavadora la carga de lavado.

- El nivel de la carga seca no debe pasar la línea de agujeros superior de la tina de la lavadora. **No recargue la lavadora.**
- No coloque artículos encima del agitador ni los enrosque alrededor de él. Coloque los artículos en forma pareja.
- Combine artículos grandes y pequeños en una carga. Coloque primero los artículos grandes. Los artículos grandes no deben ser más de la mitad del total de la carga a lavarse.
- Cuando se lave un solo artículo pesado, añada 1 o 2 toallas para balancear la carga.

7. Si se desea, añada un suavizante líquido para telas en el Dispensador de Suavizantes de Telas (algunos modelos).

Para modelos con dispensador incorporado (ver la figura a la izquierda):

1. Agregue el suavizante líquido en el dispensador, siguiendo las instrucciones de la etiqueta del suavizante para telas.
2. Agregue agua para traer el nivel del líquido a la línea de lleno en la tapa del dispensador.
3. Remueva el dispensador del agitador después de cada uso. Enjuague la taza y su tapa con agua tibia. Coloque el dispensador en el agitador.

Nota: Para separar el casquete de la taza, ponga el pulgar en el depósito y apriete contra el lado de la taza (ilustración a la izquierda). Después de la limpieza, reconecte el casquete y la taza. Vuelva a colocar el depósito por alinear los hilos y las ranuras.

El suavizante se saldrá desde el área debajo del depósito fijo para suavizante de telas cuando se selecciona Large Load (cargas grandes). Si un sedimento de suavizante se produce, limpie el área adentro del agitador con agua caliente. **NO quite el casquete de servicio.**

Para modelos con dispensador amovible (ver la figura de abajo a la izquierda):

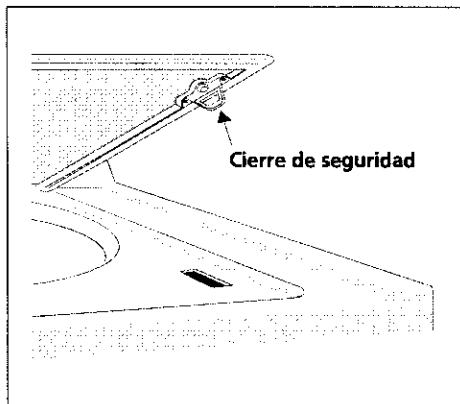
1. Encaje el dispensador de suavizante para telas en la parte superior del agitador presionando gentilmente.
2. Agregue el suavizante en el dispensador, siguiendo las instrucciones de la etiqueta del suavizante para telas.
3. Agregue agua para traer el nivel del líquido a la altura superior de la clavija en el centro de la taza.
4. Remueva el dispensador del agitador después de cada uso. Enjuague la taza y su tapa con agua tibia. Arme nuevamente y coloque el dispensador en el agitador o almacénelo en un lugar próximo.

Para modelos sin dispensador de suavizante para telas, siga las instrucciones de la etiqueta del suavizante. Añada suavizante diluido en el enjuague final. **No añada suavizante en forma directa en la carga para lavar.**

8. Coloque la perilla selectora de ciclo y los controles de la lavadora de acuerdo al tipo, tamaño, y nivel de suciedad de cada carga, y del detergente usado.

Vea la tarjeta de **Instrucciones De Funcionamiento** para los controles de su tipo de modelo.

Procedimientos para el Lavado (cont.)



9. Ponga en marcha la lavadora.

Cierre la tapa y tire hacia afuera el botón selector de ciclo. La lavadora no agitará ni escurrido con la tapa abierta.

- Para detener la lavadora, oprima el botón selector de ciclo.
- Para cambiar el ciclo, oprima el botón selector de ciclo, gírelo a la derecha hacia la posición deseada. Tire hacia afuera el botón para volver a poner en marcha la lavadora.

10. Saque la ropa cuando el ciclo haya terminado.

Para su seguridad, la tapa se bloquea cuando la tina está exprimiendo. Permanecerá bloqueada durante 1 minuto después de que la tina deja de exprimir.

- Para abrir la tapa durante el ciclo de exprimido, oprima el botón selector de ciclo y espere aproximadamente 1 minuto para que la tapa se desbloquee. No trate de abrir la tapa cuando está todavía bloqueada.

Coloque la ropa lavada en la secadora automática, en una cuerda de secar o déjela secar en forma horizontal como se recomienda en la etiqueta sobre el cuidado de las telas. Se pueden formar arrugas excesivas, transferencia de color u olor si deja la ropa en la lavadora después que el ciclo haya terminado.

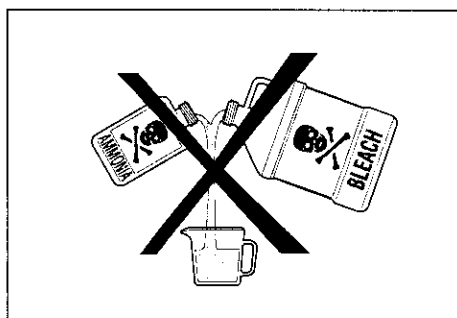
⚠ ADVERTENCIA Para evitar daños personales serios, no use la lavadora si la cierre de seguridad de la tapa le falta o si esta dañada.

Limpieza de Manchas

Métodos para Quitar las Manchas

⚠ ADVERTENCIA Para reducir el riesgo de incendio o lesión personal grave o daños materiales, observe las advertencias que se indican a continuación:

- Lea y siga todas las instrucciones indicadas en los quitamanchas.
- Mantenga los productos en sus envases originales y fuera del alcance de los niños.
- Lave bien todos los utensilios usados.
- No mezcle los productos para quitar manchas, especialmente el amoníaco y el cloro. Se pueden producir vapores peligrosos.
- Nunca lave artículos que anteriormente hayan sido limpiados, lavados, sumergidos o manchados con gasolina, solventes de limpieza en seco u otras sustancias inflamables o explosivas pues ellos emiten vapores que pueden encenderse o explotar.
- Nunca use solventes inflamables, tales como gasolina, dentro del hogar. Los vapores pueden explotar al entrar en contacto con llamas o chispas.



No mezcle los productos para quitar las manchas.

Para limpiar bien las manchas:

- Quite las manchas rápidamente.
- Determine la clase de la mancha, luego siga el tratamiento recomendado en la tabla para limpieza de manchas en la página siguiente.
- Para pretratar las manchas, use un producto de prelavado, detergente líquido o una pasta hecha de detergente en polvo y agua.
- Use agua fría en las manchas conocidas pues el agua caliente puede fijar las manchas.
- Verifique las instrucciones en la etiqueta de cuidado de la tela para los tratamientos que deben ser evitados en ciertas telas específicas.
- Verifique si las telas se destiñen probando el quitamanchas en una costura interior.
- Enjuague y lave los artículos después de quitar las manchas.



Siga las instrucciones de la etiqueta sobre el cuidado de las telas.

Limpieza de Manchas

MANCHA	TRATAMIENTO
Cinta adhesiva, goma de mascar, cemento para goma	Aplique hielo. Raspe todo el exceso. Coloque la mancha hacia abajo sobre toallas de papel. Impregne la mancha con quitamanchas de prelavado o líquido para limpieza en seco no inflamable.
Fórmula para bebés, productos lácteos, huevo	Use un producto que contenga enzimas para pretratar o remojar las manchas. Remoje durante 30 minutos o más. Lave.
Bebidas (café, té, bebidas gaseosas, jugos, bebidas alcohólicas)	Primero trate la mancha. Luego lave con agua fría y blanqueador apropiado para telas.
Sangre	Enjuague con agua fría. Frote con una barra de jabón. O, trate o remoje primero con un producto que contenga enzimas. Lave con un blanqueador apropiado para la tela.
Cera de velas, lápices de cera	Raspe toda la cera superficial. Coloque la mancha hacia abajo entre dos toallas de papel. Plancha con una plancha tibia hasta que la cera sea absorbida. Cambie las toallas de papel con frecuencia. Trate la mancha restante con quitamanchas de prelavado o líquido para limpieza en seco no inflamable. Lave a mano para sacar el solvente. Lave con un blanqueador apropiado para la tela.
Chocolate	Trate o remoje primero en agua tibia con un producto que contenga enzimas. Lave con un blanqueador apropiado para la tela.
Suciedad de cuellos y puños, cosméticos	Trate primero la mancha con quitamanchas de prelavado o frote con una barra de jabón.
Telas blancas teñidas con otras	Use un quitamanchas de color envasado. Lave y agregue blanqueador apropiado para la tela.
Hierba	Trate o remoje primero en agua tibia con un producto que contenga enzimas. Lave con un blanqueador apropiado para la tela.
Grasa, aceite, alquitrán (mantequilla, grasas, condimento de ensaladas, aceites de cocinar, grasa de automóviles, aceite de motores)	Raspe todo residuo de la tela. Trate primero la mancha. Lave usando el agua más caliente que sea apropiada para la tela. Para manchas densas y alquitrán, aplique líquido para limpieza en seco no inflamable por detrás de la mancha. Cambie las toallas de papel bajo la mancha con frecuencia. Enjuague bien. Lave usando el agua más caliente que sea apropiada para la tela.
Tinta	Algunas manchas de tinta no podrán ser quitadas. El lavado puede fijar algunas manchas de tinta. Use quitamanchas de prelavado, alcohol desnaturalizado o líquido para limpieza en seco no inflamable.
Mildiú, quemaduras	Lave con blanqueador de cloro si no es peligroso para la tela. O remoje en blanqueador oxigenado y agua caliente antes de lavar. Las telas manchadas de mildiú pueden quedar permanentemente dañadas.
Lodo	Cepille el lodo seco. Trate o remoje primero con un producto que contenga enzimas.
Mostaza, tomates	Trate primero la mancha con quitamanchas de prelavado. Aplique removedor de manchas. Lave con un blanqueador apropiado para la tela.
Esmalte para uñas	Puede que sea imposible de quitar. Coloque la mancha hacia abajo sobre toallas de papel. Aplique quitaesmalte de uñas por detrás de la mancha. Repita cambiando las toallas de papel con frecuencia. No use en telas de acetato.
Pintura, barniz	PINTURA AL AGUA: para las manchas frescas, enjuague la tela con agua fría. Lave. Cuando la pintura se seca es imposible de quitar. PINTURA AL ACEITE Y BARNIZ: Use el solvente recomendado en el envase de la pintura. Enjuague muy bien antes de lavar.
Transpiración	Use quitamanchas de prelavado y frote con una barra de jabón. Enjuague. Lave con blanqueador sin cloro. Lave usando el agua más caliente que sea apropiada para la tela.
Oxido, decoloración café o amarilla	Para las manchas de óxido aplique un quitamanchas que sea apropiado para la tela. Para decoloración de todo el lavado, use detergente fosfatado y blanqueador sin cloro. No use blanqueador de cloro pues puede aumentar la decoloración.
Betún de zapatos	LIQUIDO: Trate la mancha con una pasta de detergente en polvo y agua. PASTA: Raspe todo el residuo de la tela. Aplique quitamanchas o líquido para limpieza en seco no inflamable. Enjuague. Frote con detergente los lugares mojados. Lave con un blanqueador apropiado para la tela.
Orina, vómito, mucus, heces	Trate o remoje primero con un producto que contenga enzimas. Lave con un blanqueador apropiado para la tela.

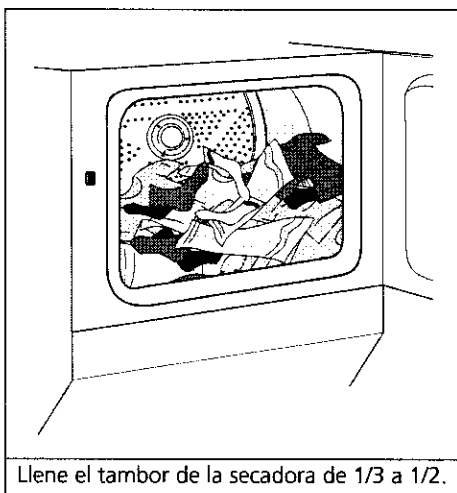
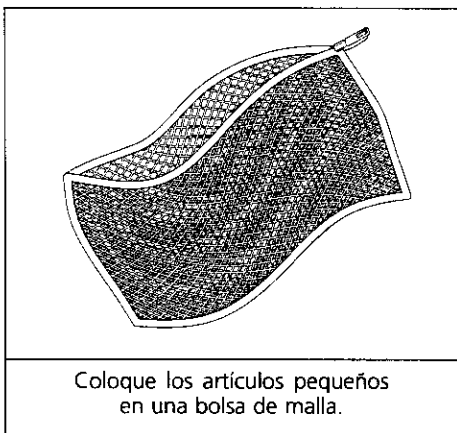
Problemas Comunes del Lavado

Muchos problemas del lavado son debidos a limpieza deficiente de las manchas y suciedad, residuos, pelusas y daño a las telas. Para obtener resultados satisfactorios en el lavado, siga estas sugerencias proporcionadas por la Asociación de Detergentes y Jabones.

PROBLEMA	CAUSAS POSIBLES	SOLUCIONES	MEDIDAS PREVENTIVAS
Manchas azules	<ul style="list-style-type: none"> El detergente o el suavizante líquido de tela no se disolvió o se dispersó. 	<ul style="list-style-type: none"> Si es causada por detergente, mezcle una taza (240 ml) de vinagre blanco con 1 cuarto de galón (0,95 L) de agua en un envase de plástico. Remoje el artículo durante 1 hora. Enjuague. Si es causado por el suavizante de tela, frote las manchas con una barra de jabón. Lave. 	<ul style="list-style-type: none"> Agregue el detergente antes de colocar la ropa. Luego ponga en marcha la lavadora. Diluya el suavizante de telas con agua.
Decoloración, manchas grises	<ul style="list-style-type: none"> Falta de detergente. Temperatura del agua de lavado demasiado baja. Separación incorrecta. 	<ul style="list-style-type: none"> Vuelva a lavar con la cantidad correcta de detergente y el agua más caliente que sea segura para la tela. Agregue blanqueador apropiado para la tela. 	<ul style="list-style-type: none"> Separe la ropa de acuerdo al nivel de suciedad y color. Use la cantidad correcta de detergente, el agua más caliente y el blanqueador que sea apropiado para la tela.
Manchas de aceite, grasa	<ul style="list-style-type: none"> Falta de detergente. Suavizante de telas líquido no diluido vaciado directamente sobre las telas. 	<ul style="list-style-type: none"> Trate con quitamanchas de prelavado o detergente líquido. Aumente el detergente y la temperatura del agua. Vuelva a lavar. Frote las manchas del suavizante de telas con una barra de jabón. 	<ul style="list-style-type: none"> Use la cantidad correcta de detergente y el agua más caliente que sea apropiado para la tela. No vacíe el suavizante líquido de telas directamente sobre las telas. Vea las indicaciones del paquete o los Métodos de Lavado para diluir correctamente.
Agujeros, roturas o rasgones	<ul style="list-style-type: none"> Uso incorrecto del blanqueador de cloro. Zipers, ganchos, hebillas abiertas. Rasgaduras y hebras rotas. Sobrecarga de la lavadora. Degradación de la tela. 	<ul style="list-style-type: none"> Puede ser irreversible si las roturas, rasgones y costuras no pueden ser remendadas. 	<ul style="list-style-type: none"> Nunca vacíe el blanqueador de cloro directamente sobre las telas. Revise el estado de los artículos antes del lavado. Ver Métodos de Lavado para la preparación y la carga de la ropa.
Pelusa	<ul style="list-style-type: none"> Separación incorrecta de la ropa. Servilletas de papel dejadas en los bolsillos. Sobrecarga de la lavadora. Falta de detergente. Detergente no disuelto dejó residuos. La electricidad estática atrae pelusas. Tiempo de lavado demasiado largo. 	<ul style="list-style-type: none"> Reduzca la cantidad de la carga. Vuelva a lavar usando la temperatura de agua, el nivel del agua y la cantidad de detergente correcta. Agregue acondicionador de agua no precipitante al agua de lavado. Agregue suavizante de tela líquido en el último enjuague. Seque la carga en la secadora. Saque la pelusa con una escobilla o rodillo para pelusas. 	<ul style="list-style-type: none"> Ver Métodos de Lavado para separación y preparación de la carga de lavado. No sobrecargue la lavadora. Use la cantidad de detergente, la temperatura del agua y el nivel de agua correctos.
Amotado (Las fibras se salen, se forman motillas y se adhieren a la tela)	<ul style="list-style-type: none"> El amotamiento es normal con las telas sintéticas y de planchado permanente. Esto se debe a la abrasión causada por el desgaste normal. 	<ul style="list-style-type: none"> Use una escobilla de pelusas o una escobilla para sacar motas. 	<ul style="list-style-type: none"> Use suavizante de telas en la lavadora para lubricar las fibras. Cuando planche use almidón en atomizador o acabado para telas en los cuellos y puños. Coloque los artículos por el revés para reducir las abrasiones.
Residuo o polvo en los artículos oscuros; telas duras y ásperas	<ul style="list-style-type: none"> Detergente no disuelto. Algunos detergentes en polvo sin fosfato se pueden combinar con minerales de agua dura y formar un residuo. 	<ul style="list-style-type: none"> Reduzca el tamaño de la carga. Agregue detergente disuelto a la tina. Vuelva a lavar la carga. Mezcle una taza (240 ml) de vinagre blanco con 1 galón (3,8 L) de agua tibia en un envase de plástico. Remoje el artículo. Remoje y vuelva a lavar. 	<ul style="list-style-type: none"> Aumente la temperatura del agua usando el agua más caliente que sea apropiada para la tela. No sobrecargue la lavadora. Use detergente líquido o use un acondicionador de agua no precipitante con detergente en polvo sin fosfato.
Arrugas	<ul style="list-style-type: none"> Sobrecarga de la lavadora. 	<ul style="list-style-type: none"> Reduzca el tamaño de la carga. Enjuague en agua fría con suavizante de telas líquido. 	<ul style="list-style-type: none"> No sobrecargue la lavadora. Saque los artículos de la lavadora tan pronto como se termina el ciclo. Use suavizante de tela líquido.
Formación amarilla de suciedad en las telas sintéticas	<ul style="list-style-type: none"> Tiempo de agitación demasiado corto. Temperatura del agua de lavado demasiado baja. Falta de detergente. 	<ul style="list-style-type: none"> Remoje en un activador de detergente o producto que contenga enzimas. Lave en agua caliente (120°F/49°C) usando el ciclo de planchado permanente. Aumente el detergente. Agregue blanqueador que sea apropiado para la tela. O trate con un limpiador de color. 	<ul style="list-style-type: none"> Lave las telas sintéticas frecuentemente usando agua por lo menos a 100°F (37°C) y el nivel correcto de agua.
Manchas de óxido amarillas o café	<ul style="list-style-type: none"> Hierro o manganeso en el agua, en las tuberías del agua o en el calefactor del agua. 	<ul style="list-style-type: none"> Para reavivar los colores blancos, use un quitaóxido que sea apropiado para telas. No use blanqueador de cloro para sacar manchas de óxido. Puede intensificar la decoloración. 	<ul style="list-style-type: none"> Use un suavizante de agua no precipitante. Antes del lavado, deje correr el agua caliente durante unos minutos para despejar las tuberías. Drene ocasionalmente el calefactor del agua. Para un problema continuo, instale un filtro de hierro en su sistema de suministro de agua.

Métodos de Secado

- Siga las indicaciones siguientes para preparar la ropa para secarla.
- Lea la tarjeta de **Instrucciones de Funcionamiento de la Secadora** para el uso de su modelo específico.
- **Siempre lea y siga las instrucciones en las etiquetas de cuidado de las telas y de los productos de lavado.**



⚠ ADVERTENCIA Para reducir el riesgo de incendio, choque eléctrico o lesiones personales, lea las **Instrucciones Importantes de Seguridad**, páginas 2-4, antes de usar esta secadora.

1. Prepare los artículos para el secado.

- Seque a un mismo tiempo artículos de la misma tela, textura y del mismo peso.
- Separe los artículos oscuros de los claros. Separe los artículos que producen pelusa de aquellos que atraen pelusas. Si un artículo produce pelusas vuélvalo al revés.
- Asegúrese de que las hebillas y adornos son resistentes al calor y que no dañarán el acabado del tambor. Cierre los zipers, abra los ganchos y los sujetadores Velcro®. Ate las cuerdas y bandas para evitar que ellas se enreden.
- Si es posible, dé vuelta los bolsillos hacia afuera para que se sequen uniformemente.
- Revise si hay manchas que no fueron sacadas durante el lavado. El calor de la secadora puede fijar permanentemente algunas manchas. Repita el proceso de limpieza de manchas antes del secado.
- Coloque los artículos pequeños en una bolsa de malla para evitar que se enreden y para sacarlos con facilidad.

2. Verifique que el filtro de pelusa esté limpio y en su lugar.

3. Cargue la secadora.

- La carga media llenará el tambor de 1/3 ó 1/2 hasta la mitad. Los artículos necesitan espacio para girar libremente para un secado uniforme y reducción de arrugas. **No sobrecargue la secadora.**
- Cuando seque artículos grandes, seque solamente dos o tres artículos a la vez. Complete la carga con artículos de tamaño pequeño y mediano.
- Para cargas muy pequeñas o ropas delicadas, agregue 2 toallas que no produzcan pelusas para mejorar el secado, reducir las arrugas y evitar las manchas de grasa causadas por las hojas de suavizante de telas.
- No seque demasiado la ropa. Si la ropa se seca en exceso se puede causar arrugas, encoger, quedar áspera y acumular electricidad estática, lo cual puede producir más pelusas.
- Si desea agregar una hoja de suavizante de tela en la secadora.

4. Cierre la puerta de la secadora y ajuste los controles de la secadora (algunos modelos). Vea la tarjeta de **Instrucciones de Funcionamiento de la Secadora** para el uso de los controles de su modelo específico.

5. Gire el selector de ciclo a la derecha a la posición deseada.

6. Ponga en marcha la secadora.

- Gire la perilla de puesta en marcha en sentido de las agujas del reloj hasta la posición de ON (encendido). Mantenga durante 1 ó 2 segundos y suelte.
- Para añadir o sacar prendas cuando la secadora está funcionando, abra la puerta. La secadora se detendrá siempre cuando la puerta esté abierta. Deje que el tambor se detenga por completo antes de meter la mano dentro.
- Para volver a poner la secadora en marcha, cierre la puerta y gire la perilla de puesta en marcha hasta la posición de ON (encendido). Mantenga durante 1 ó 2 segundos y suelte.

7. Cuando el ciclo termina, saque la ropa inmediatamente y cuélguela o dóblela. Si la carga es sacada antes de que el ciclo termine, gire el selector de ciclo a la posición OFF (apagado).

Características

Control de la Señal de Ciclo (algunos modelos)

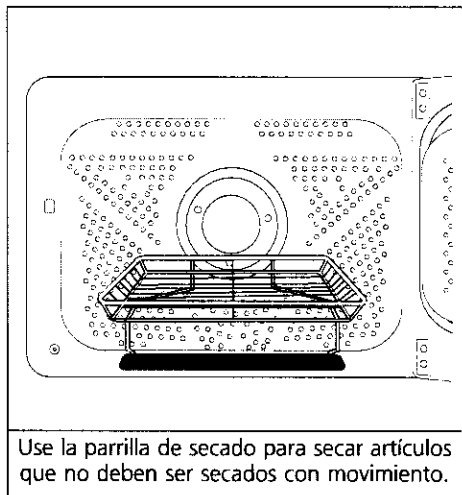
Quando el control de la Señal de Ciclo está en la posición ON, sonará una señal al final de cada ciclo y durante el ciclo 'Press Saver' (Ahorro del Planchado) (algunos modelos solamente). El volumen es ajustable en algunos modelos.

Luz del Tambor (algunos modelos)

La luz del tambor se encenderá cada vez que se abra la puerta para iluminar el interior del tambor durante la carga y descarga de la ropa. Al cerrar la puerta la luz se apaga.

Parrilla de Secado (algunos modelos)

Use una parrilla para secar aquellos artículos que no pueden ser secados con movimiento.



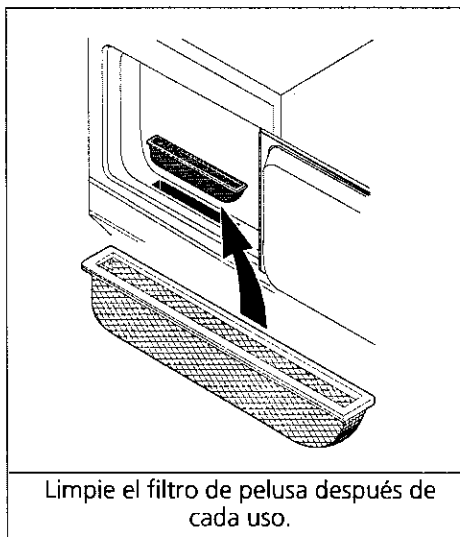
1. Abra la puerta de la secadora y saque el filtro de pelusa.
2. Inserte la parrilla en el tambor de la secadora. Coloque la barra delantera bajo el labio de la abertura del filtro de pelusa.
3. Coloque los artículos que se deben secar sobre la parrilla. Su peso no debe sobrepasar 10 libras. Deje espacio entre los artículos, pero no deje que ellos cuelguen por los lados o a través de las aberturas de la parrilla. No use la secadora para secar artículos por agitación cuando esté usando la parrilla de secado.
4. Seleccione un ajuste de secado regulado que más convenga a los artículos. Use solamente el ajuste de temperatura 'Air Fluff' (sin calor) para los artículos que contienen plástico, espuma de goma o materiales similares a la goma o plumas de aves.
5. Cuando los artículos estén secos, saque la parrilla y vuelva a colocar el filtro de pelusa. Si el filtro no está en su lugar, los artículos pueden penetrar el sistema de escape y causar daño a la secadora.

Problemas Comunes de Secado

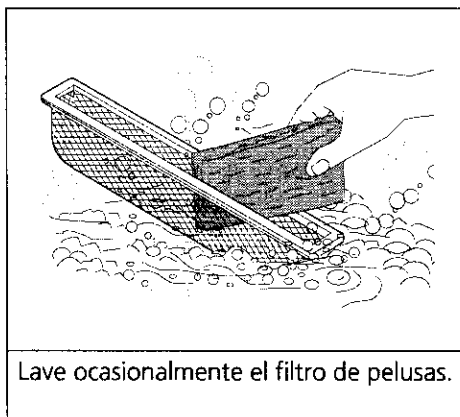
Muchos problemas de secado son debidos a limpieza deficiente de las manchas y suciedad, residuos, pelusas y daño a las telas. Para obtener resultados satisfactorios en el secado, siga estas sugerencias proporcionadas por la Asociación de Detergentes y Jabones.

PROBLEMA	CAUSAS POSIBLES	SOLUCIONES	MEDIDAS PREVENTIVAS
Manchas de aceite, grasa	<ul style="list-style-type: none"> • Hoja de suavizante de tela. 	<ul style="list-style-type: none"> • Frote las manchas de suavizante de telas con una barra de jabón. Enjuague y lave de nuevo. 	<ul style="list-style-type: none"> • Agregue unas pocas toallas de baño para las cargas pequeñas para facilitar la rotación. • Algunas telas "similares a la seda" deben ser secadas con aire. • Use la temperatura de secado apropiada. • Coloque una hoja de suavizante de telas sobre la carga antes de poner en marcha la secadora.
Pelusa	<ul style="list-style-type: none"> • Sobrecarga de ropa. • El exceso de secado causa electricidad estática. • El filtro de pelusa no está limpio cuando se comenzó el ciclo. • La pelusa es atraída por las "motillas". 	<ul style="list-style-type: none"> • Reduzca el tamaño de la carga y vuelva a lavar usando suavizante de telas líquido en el último enjuague. • O, agregue una hoja de suavizante de tela y seque sin calor. • Use una escobilla o rodillo para sacar las pelusas. 	<ul style="list-style-type: none"> • No sobrecargue la secadora. • Use suavizante de telas en la lavadora o en la secadora para reducir la electricidad estática. • Saque los artículos cuando están ligeramente húmedos para evitar secado excesivo. • Verifique que el filtro de pelusa esté limpio y en su lugar.
Amotado (Las fibras se salen, se forman motillas y se adhieren a la tela)	<ul style="list-style-type: none"> • Las motillas son normales en las telas de planchado permanente y sintéticas. Esto es debido a la abrasión del uso normal. 	<ul style="list-style-type: none"> • Use una escobilla u hoja de afeitar para sacar las motillas. 	<ul style="list-style-type: none"> • Use un suavizante de telas para lubricar las fibras. • Cuando planche use almidón en atomizador o acabado de telas en los cuellos y en los puños. • Coloque los artículos al revés para reducir la abrasión.
Encogimiento	<ul style="list-style-type: none"> • Secado excesivo. 	<ul style="list-style-type: none"> • Condición irreversible. 	<ul style="list-style-type: none"> • Siga las instrucciones de las etiquetas de cuidado de las telas. • Si está preocupado de que las telas encojan revise la carga a menudo. • Saque los artículos cuando estén ligeramente húmedos. • Vuelva a dar forma a los tejidos. • Déjelos secar en forma horizontal.
Arrugas	<ul style="list-style-type: none"> • Sobrecarga. • Dejar los artículos en la secadora después de que termine el ciclo. 	<ul style="list-style-type: none"> • Reduzca el tamaño de la carga y seque a calor mediano o bajo durante 5 a 10 minutos. • Saque los artículos inmediatamente. Cuelgue o doble. 	<ul style="list-style-type: none"> • No sobrecargue la secadora. • Saque los artículos tan pronto como termine el ciclo.

Cuidado y Limpieza



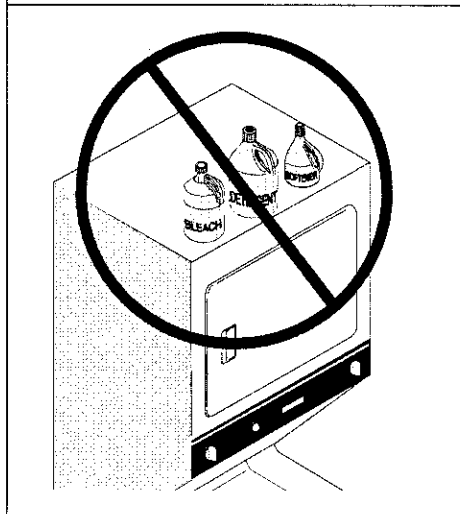
Limpie el filtro de pelusa después de cada uso.



Lave ocasionalmente el filtro de pelusas.

⚠ ATENCION

Tenga cuidado con los productos de lavado. Pueden dañar el acabado de su lavadora y secadora superpuestas.



⚠ ADVERTENCIA Para reducir el riesgo de incendio o lesión grave personal o daños materiales, observe las advertencias básicas indicadas en **Instrucciones Importantes de Seguridad**, página 2 a 4 y aquellas que se indican a continuación.

- Antes de limpiar el interior de la lavadora o secadora, **desenchufe el cordón eléctrico** para evitar peligro de choque eléctrico.
- No use ningún tipo de limpiador atomizador cuando limpie el interior de la secadora. Pueden ocurrir vapores peligrosos o choque eléctrico.

Interior de la Lavadora

- Saque todos los artículos de la lavadora tan pronto como termine el ciclo. Se pueden desarrollar exceso de arrugas, transferencia de color si se dejan en la lavadora.
- Seque la parte superior de la lavadora, el área alrededor de la tapa y la parte inferior de la tapa. Estas áreas siempre deben estar secas antes de cerrar la tapa.
- Antes de limpiar el interior de la lavadora, **desenchufe el cordón eléctrico** para evitar peligro de choque eléctrico.
- Cuando se han lavado artículos extremadamente sucios, puede quedar un residuo de suciedad en la tina. Saque esto limpiando la tina con un producto de limpieza doméstico no abrasivo. Enjuague completamente con agua.
- El agitador o la tina pueden mancharse con la tinte de las telas. Limpie estas piezas con un producto de limpieza doméstico no abrasivo. Esto evita la transferencia de tinturas a cargas futuras.

Interior de la Secadora

- Limpie el filtro atrapa pelusas después de cada uso. Las pelusas que se acumulan en el filtro obstruyen el flujo del aire, lo cual resulta en tiempos de secado más prolongados. El filtro se encuentra en la parte inferior de la abertura de la puerta. Sáquelo tirando derecho hacia arriba. Limpie las pelusas y vuelva a colocar el filtro.
- De cuando en cuando se puede formar un depósito ceroso en el filtro atrapa pelusas proveniente de las hojas de suavizante de tela que se agregan a la secadora. Para sacar esa acumulación de cera, lave el filtro de pelusa con agua tibia jabonosa. Seque completamente y vuelva a colocar. No haga funcionar la secadora sin tener el filtro de pelusa en su lugar.
- Si se mancha el tambor de la secadora con las telas que destiñen, límpielo con un paño húmedo y un detergente doméstico líquido suave. Saque los residuos de detergente antes de secar la próxima carga.
- Cada 18 meses un técnico autorizado debería limpiar el interior del gabinete de la secadora y el conducto de escape. Estas áreas pueden acumular pelusas y polvos con el tiempo. Una cantidad excesiva de acumulación de pelusas puede resultar en secado deficiente y posible peligro de incendio.

Exterior

- Cuando termina el lavado y secado, limpie el gabinete de los artefactos con un paño húmedo. Cierre las llaves del agua para evitar que se acumule presión en las mangueras.
- Limpie los gabinetes con un jabón suave y agua. **Nunca use limpiadores abrasivos duros.** Si el gabinete se mancha, limpie con blanqueador de cloro diluido [1/2 taza (120 ml) en un cuarto de galón (0,95 L) de agua]. Enjuague varias veces con agua limpia.
- Saque los residuos de goma de las cintas adhesivas o de las etiquetas con una mezcla de agua tibia y detergente suave. O, toque el residuo con el lado adhesivo de una cinta o etiqueta para sacarlo.
- **Antes de mover la lavadora y secadora superpuestas**, coloque una banda de cartón o una tabla de fibra de madera delgada debajo de las patas niveladoras delanteras para evitar daño del piso.

Siga las Instrucciones para el Invierno para el cuidado durante el tiempo frío.

Instrucciones para el Invierno

Si la lavadora y secadora superpuestas son almacenadas en una área donde puede ocurrir temperaturas de congelación o puede efectuarse un cambio en tiempo de congelación, siga estas instrucciones para el invierno a fin de evitar todo daño.

1. Cierre las llaves del agua.
2. Desconecte las mangueras del suministro de agua y drene el agua de las mangueras.
3. Enchufe el cordón eléctrico en un tomacorriente debidamente puesto a tierra.
4. Agregue un galón de anticongelante para vehículos recreacional no tóxico para vaciar la tina del lavado. Cierre la tapa.
5. Coloque el botón selector de ciclo en un ajuste de exprimido. Tire el botón hacia afuera y deje que la lavadora exprima durante un minuto para drenar toda el agua. No todo el anticongelante del vehículo recreacional será expulsado.
6. Oprima el botón, desenchufe el cordón eléctrico, seque el interior de la tina y cierre la tapa.
7. Coloque la lavadora en posición vertical.
8. Para sacar el anticongelante de la lavadora después del almacenamiento, haga pasar la lavadora vacía a través de un ciclo completo usando detergente. **No agregue ropa.**

Lista de Control de Averías

Evite llamadas de servicio para controles de rutina. Antes de llamar a reparaciones lea esta lista. Podrá ahorrarse ambos, tiempo y dinero. La lista contiene problemas comunes que no son el resultado de materiales defectuosos o de construcción en esta lavadora y secadora superpuestas.

PROBLEMA

POSIBLE CAUSA

SOLUCION

LAVADORA - RUIDO

Ruidos de engranajes o sonido metálico.

Una cierta cantidad de sonidos metálicos o de engranajes son normales en una lavadora de gran rendimiento.

Esto es normal.

Sonido metálico o golpeteo.

Puede haber objetos extraños tales como monedas o alfileres en la tina o en la bomba.

Detenga la lavadora y revise la tina. Si el ruido continúa después de que la lavadora sea puesta en funcionamiento nuevamente, puede haber objetos en la bomba. Llame a su técnico de servicio autorizado.

Las hebillas de los cinturones y los sujetadores de metal están golpeando la tina de la lavadora.

Para evitar ruido innecesario y daño a la tina, abroche todos los sujetadores y coloque los artículos por el lado revés.

Crujido u olor a goma caliente.

La lavadora está sobrecargada.

No sobrecargue la lavadora. Pare la lavadora y reduzca la carga.

Ruidos sordos.

Las cargas demasiado pesadas pueden producir un sonido sordo.

Esto es generalmente normal. Si el ruido continúa, la lavadora está probablemente desequilibrada. Detenga la lavadora y redistribuya la carga del lavado.

Ruido de vibración.

La lavadora y secadora superpuesta no están sobre un piso firme.

Mueva la lavadora y secadora de modo que descansen firmemente sobre un piso firme. Puede que necesite soporte adicional para el piso. Ajuste las patas niveladoras. Vea las INSTRUCCIONES DE INSTALACION para los detalles.

El bloque y perno de embarque no fueron sacados durante la instalación.

Vea las INSTRUCCIONES DE INSTALACION para sacar el bloque y perno de embarque.

La carga del lavado no está uniformemente distribuida en la tina.

Detenga la lavadora y vuelva a arreglar la carga.

LAVADORA - FUNCIONAMIENTO

La lavadora no funciona.

El cordón eléctrico no está enchufado o la conexión puede estar suelta.

Asegúrese de que el enchufe calca firmemente en el tomacorriente mural.

Un fusible del hogar quemado, un disyuntor disparado u ocurrió una falla de corriente.

Vuelva a posicionar el disyuntor o reemplazar el fusible. No aumente la capacidad del fusible. Si el problema es sobrecarga de un circuito, hágalo corregir por un electricista calificado. Si el problema es una falla de corriente, llame a la compañía de electricidad.

Las llaves del agua no están abiertas.

Abra las llaves del agua.

PROBLEMA**POSIBLE CAUSA****SOLUCION****LAVADORA - FUNCIONAMIENTO****(continuación)**

<i>La lavadora no funciona. (continuación).</i>	El selector de ciclo no está en la posición correcta.	Mueva ligeramente el indicador a la derecha. Tire el botón hacia afuera.
	El motor de la lavadora está sobrecalentado.	El motor de la lavadora se detendrá si se sobrecalienta. Automáticamente volverá a comenzar después de un período de enfriamiento de hasta 30 minutos (si la lavadora no ha sido manualmente apagada).
<i>La lavadora no exprime.</i>	La tapa no está bien cerrada.	Cierre bien la tapa. La cerradura de seguridad de la tapa no debe estar rota.
<i>Quedan residuos en la tina.</i>	Se lavaron artículos demasiado sucios.	Limpie la tina con un producto doméstico de limpieza no abrasivo, luego enjuague. Sacuda o saque el exceso de suciedad y arena con una escobilla de los artículos antes de lavarlos.

LAVADORA - AGUA

<i>La carga demasiado mojada después del exprimido.</i>	La lavadora está sobrecargada.	No sobrecargue la lavadora. Ver Métodos de Lavado.
	La carga está desequilibrada.	Vuelva a arreglar la carga para permitir un exprimido apropiado.
	La manguera de drenaje está doblada.	Ponga derecha la manguera de drenaje.
<i>El agua no entra a la lavadora o entra muy lentamente.</i>	El suministro de agua no es adecuado en el área.	Revise las otras llaves en la casa. Espere hasta que aumente el suministro del agua y la presión.
	Las llaves del agua no están completamente abiertas.	Abra completamente la llave del agua fría y del agua caliente.
	El agua está siendo usada en otro lugar en la casa.	La presión del agua debe ser entre 30 lbs./pulg. ² (260 kPa). Evite que alguna llave del agua esté abierta en otra parte cuando se está llenando la lavadora.
	Las mangueras de admisión del agua están dobladas.	Enderece las mangueras.
<i>El nivel del agua no cubre la carga.</i>	Selección inadecuada del nivel del agua (para los modelos con controles del tamaño de la carga y de la cantidad de agua).	Seleccione un nivel de agua más alto.
	La lavadora está sobrecargada.	No sobrecargue la lavadora. Cuando el control está en el nivel de llenado más alto, el nivel de la carga de ropa seca no debe ser más alto que la fila superior de agujeros de la tina de la lavadora.
<i>El agua tibia o caliente no es lo suficientemente caliente.</i>	El calefactor del agua caliente está ajustado demasiado bajo o a una distancia de la lavadora y secadora superpuestas.	Mida la temperatura del agua caliente en una llave cercana con un termómetro de carne. La temperatura del agua debe ser por lo menos de 130°F (70°C). Ajuste el calefactor del agua como sea necesario.
	El agua caliente está siendo usada en algún otro lugar de la casa.	Evite usar agua caliente en otro lugar antes o durante el uso de la lavadora. Puede que no haya demasiada agua caliente para una limpieza apropiada. Si el problema persiste puede que el sistema del agua caliente no sea capaz de soportar más de un uso a la vez.
<i>El agua en la lavadora no se drena o se drena muy lentamente.</i>	La manguera de drenaje está doblada u obstruida.	Limpie y estire la manguera del drenaje.
<i>Pérdida de agua.</i>	Apriete la conexión de la manguera en la llave del agua o en la lavadora.	Revise y apriete las conexiones de la manguera. Instale las arandelas de goma selladoras provistas.
	Las tuberías de drenaje de la casa están obstruidas.	Destape las tuberías de drenaje. Si es necesario consulte a un plomero.
	Demasiada espuma.	Use menos detergente.
<i>Temperaturas incorrectas de lavado y enjuague.</i>	Las mangueras del agua fría y caliente están conectadas en las llaves incorrectas.	Conecte la manguera de agua caliente a la llave del agua caliente y la manguera de agua fría a la llave de agua fría.
<i>El agua entra a la lavadora pero la tina no se llena.</i>	La altura del tubo vertical de la manguera de drenaje es incorrecta.	El tubo vertical debe tener un mínimo de 28" (71,1 cm) de alto para evitar sifonaje. Ver INSTRUCCIONES DE INSTALACION.

PROBLEMA	POSIBLE CAUSA	SOLUCION
SECADORA <i>La secadora no funciona.</i>	El cordón eléctrico no está bien enchufado o el enchufe está suelto.	Asegúrese de que el enchufe esté firmemente introducido en el tomacorriente mural.
	Se quemó un fusible de la casa o se disparó un disyuntor.	Reposicione el disyuntor o reemplace el fusible. Asegúrese de que la línea eléctrica no esté sobrecargada y que la secadora esté en un circuito separado.
	Ruptor térmico disparado.	Llame al técnico de servicio para su reemplazo.
<i>La secadora funciona pero no tiene calor.</i>	Hay dos fusibles de la caja en el circuito de la secadora. Si uno de los dos fusibles se quema, el tambor puede girar pero el calefactor no funcionará.	Reemplace el fusible.
	La llave del gas no está abierta (modelos a gas).	Verifique que la llave esté abierta. Ver INSTRUCCIONES DE INSTALACION para el procedimiento.
	La secadora no tiene suficiente suministro de aire para sostener la llama del quemador (modelos a gas).	Ver INSTRUCCIONES DE INSTALACION.
	El depósito de gas licuado está vacío o se ha producido una interrupción del suministro de gas desde la compañía de gas (modelos a gas).	Vuelva a llenar o reemplace el depósito. La secadora debe calentarse cuando se restaure el servicio del gas.
<i>El ciclo de la secadora es demasiado largo, fuera de la secadora se siente demasiado caliente y tiene olor a caliente.</i>	El filtro atrapa pelusas está obstruido con pelusas.	Asegúrese de que todas las pelusas han sido sacadas del filtro atrapa pelusas de la secadora antes de comenzar el ciclo.
	No se han cumplido los requerimientos del conducto de escape.	El conducto del escape debe tener por lo menos 4 pulgadas de diámetro y estar hecho de un metal flexible o rígido. El conducto, cuando está en su lugar, debe tener no más de 90° de curva y no exceder el largo que se indica en las INSTRUCCIONES DE INSTALACION.
	La secadora eléctrica está conectada a un circuito de 208 voltios.	El tiempo de secado será 20% más largo que el tiempo de secado en un circuito de 240 voltios.
	No se han seguido los métodos de secado.	Ver Métodos de Secado , página 10.
	La caperuza de salida o el conducto de escape pueden estar obstruidos o restringidos.	Limpie cualquier obstrucción.
	Alta humedad.	Use un deshumidificador cerca de la secadora.
<i>Demasiadas arrugas.</i>	La secadora está sobrecargada.	Ver Métodos de Secado , página 10.
	Se han dejado artículos en la secadora demasiado tiempo.	Sacar los artículos tan pronto como el ciclo termina.
	Separación deficiente de la ropa.	Ver Métodos de Secado , página 10.
	La temperatura de secado es demasiado alta.	Siga las instrucciones de la etiqueta de cuidado de la tela.

Get it fixed, at your home or ours!

Your Home

For repair – in your home – of all major brand appliances, lawn and garden equipment, or heating and cooling systems, **no matter who made it, no matter who sold it!**

For the replacement parts, accessories and owner's manuals that you need to do-it-yourself.

For Sears professional installation of home appliances and items like garage door openers and water heaters.

1-800-4-MY-HOME® (1-800-469-4663)

Call anytime, day or night (U.S.A. and Canada)

www.sears.com www.sears.ca

Our Home

For repair of carry-in items like vacuums, lawn equipment, and electronics, call or go on-line for the location of your nearest **Sears Parts & Repair Center.**

1-800-488-1222

Call anytime, day or night (U.S.A. only)

www.sears.com

To purchase a protection agreement (U.S.A.) or maintenance agreement (Canada) on a product serviced by Sears:

1-800-827-6655 (U.S.A.)

1-800-361-6665 (Canada)

Para pedir servicio de reparación a domicilio, y para ordenar piezas:

1-888-SU-HOGARSM

(1-888-784-6427)

Au Canada pour service en français:

1-800-LE-FOYER^{MC}

(1-800-533-6937)

www.sears.ca

The Sears logo is displayed in a large, bold, serif font. The word "Sears" is written in a dark color, with a thin, curved underline beneath the letters "e" and "a".

® Registered Trademark / ™ Trademark / SM Service Mark of Sears, Roebuck and Co.

® Marca Registrada / ™ Marca de Fábrica / SM Marca de Servicio de Sears, Roebuck and Co.

^{MC} Marque de commerce / ^{MD} Marque déposée de Sears, Roebuck and Co.

© Sears, Roebuck and Co.