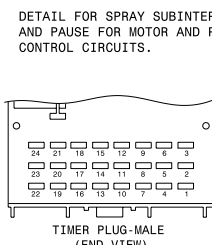
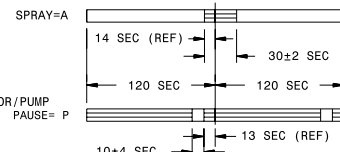
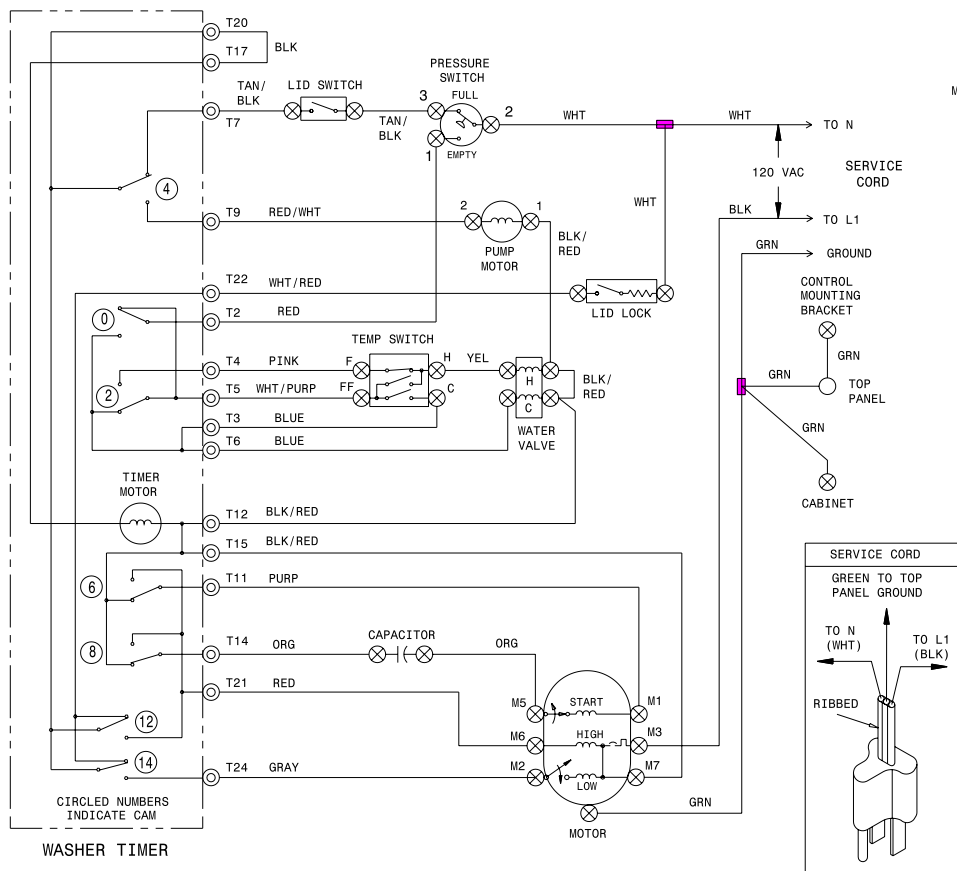
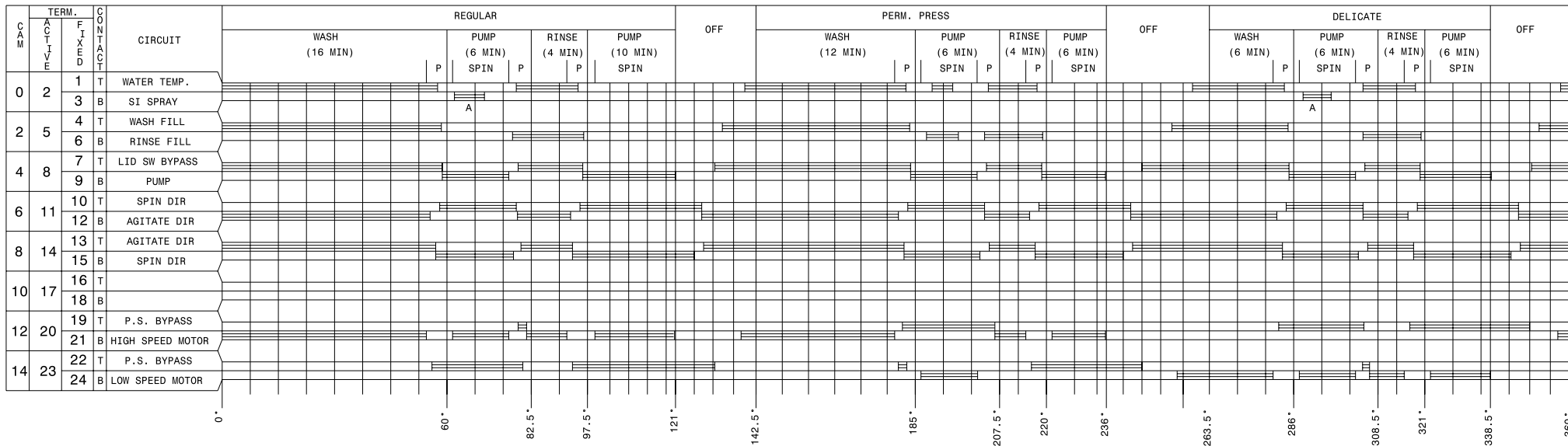


CAUTION: DISCONNECT ELECTRIC CURRENT BEFORE SERVICING



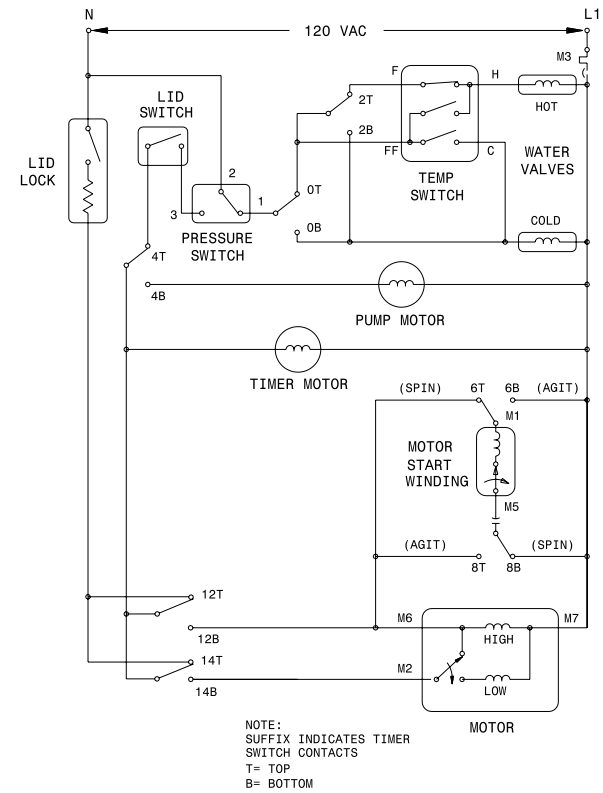
**WIRING CODES**

- ⊙ PLUG IN TIMER TERMINAL
- ⊗ QUICK DISCONNECT TERMINAL
- SCREW TERMINAL
- CONNECTION
- NO CONNECTION
- MOTOR SWITCH
- SPLICE
- MOTOR PROTECTOR
- CHASSIS (CABINET) GROUND

**TEMPERATURE SWITCH CIRCUIT**

WASH/RINSE	F-H	FF-H	FF-C
HOT/COLD	X	0	0
WARM/COLD	X	0	X
COLD/COLD	0	0	X
WARM/WARM (OPT)	0	X	X

0=OPEN X=CLOSED  
 (OPT)=OPTIONAL ON SOME MODELS



NOTE:  
 SUFFIX INDICATES TIMER SWITCH CONTACTS  
 T= TOP  
 B= BOTTOM