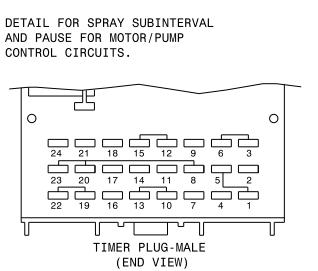
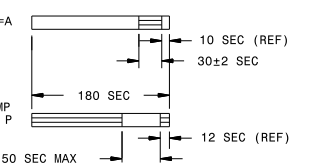
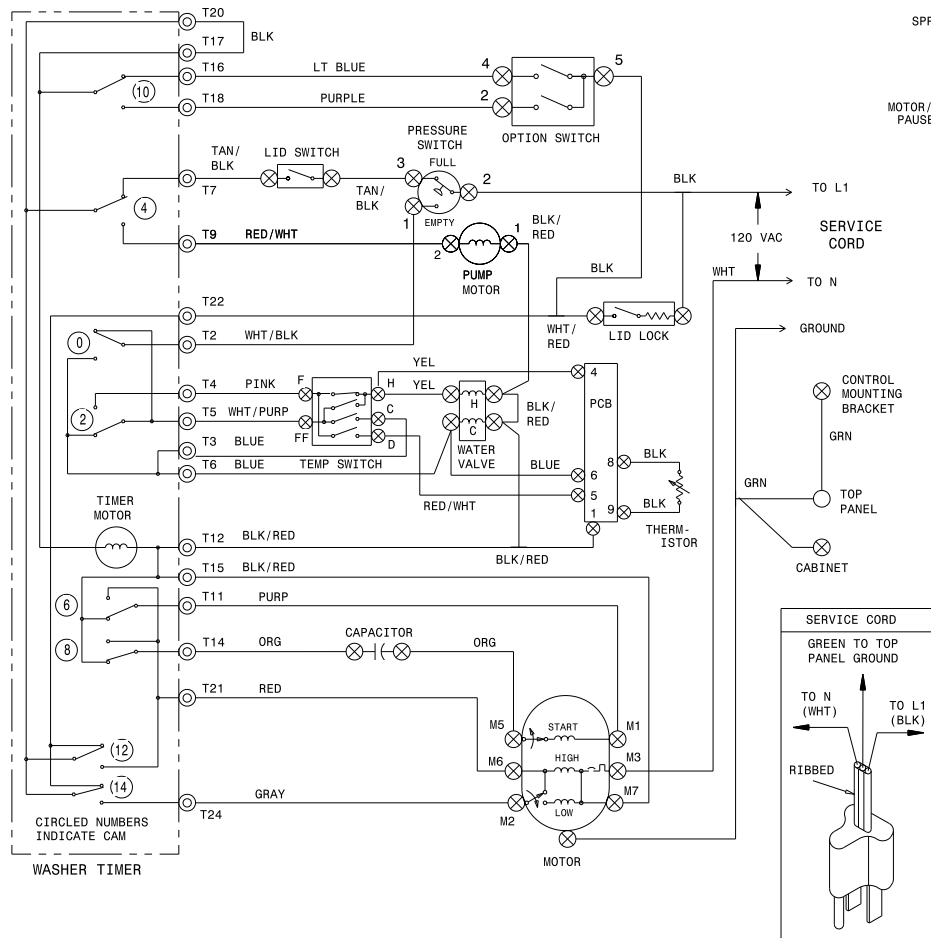


CAUTION: DISCONNECT ELECTRIC CURRENT BEFORE SERVICING

CAM	ACTIVATE	CONTACT	CIRCUIT	REGULAR				OFF	EX. RINSE		OFF	PERM. PRESS				OFF	KNITS & DELICATE				OFF	SOAK				OFF
				WASH (15 MIN)	PUMP (6 MIN)	RINSE (3)	PUMP (15 MIN)		RINSE (3)	PUMP (9 MIN)		WASH (12 MIN)	PUMP (6 MIN)	RINSE (3)	PUMP (6 MIN)		WASH (6 MIN)	PUMP (6 MIN)	RINSE (3)	PUMP (6 MIN)		WASH (3)	SOAK (12 MIN)	RINSE (3)	PUMP (6 MIN)	
0	2	1	T WATER TEMP																							
		3	B SIS SPRAY																							
2	5	4	T WASH FILL																							
		6	B RINSE FILL																							
4	8	7	T LID SW BYPASS																							
		9	B PUMP																							
6	11	10	T SPIN DIR																							
		12	B AGITATE DIR																							
8	14	13	T AGITATE DIR																							
		15	B SPIN DIR																							
10	17	16	T ADV. EX. RINSE																							
		18	B ADV. SOAK																							
12	20	19	T P.S. BYPASS																							
		21	B HIGH SPEED MOTOR																							
14	23	22	T P.S. BYPASS																							
		24	B LOW SPEED MOTOR																							



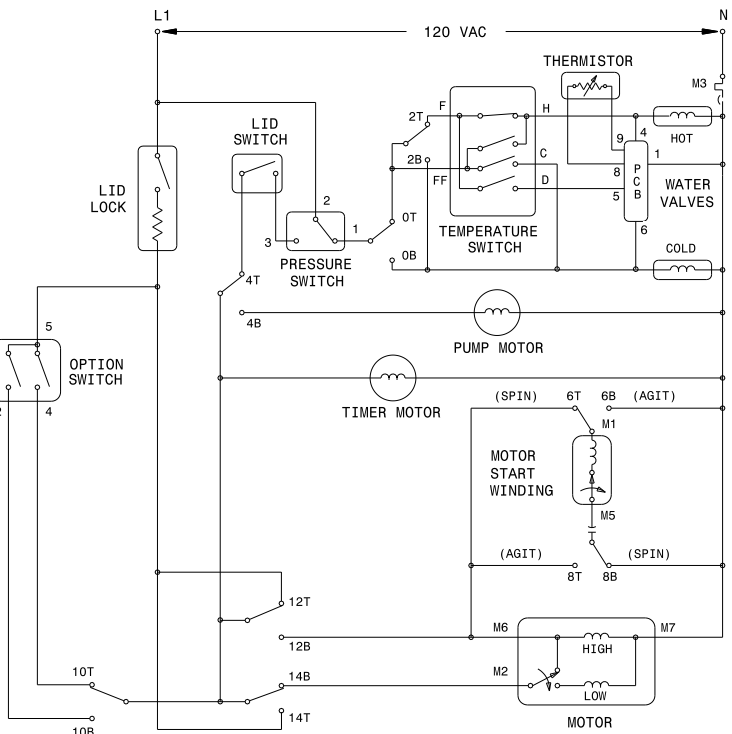
WIRING CODES

- ⊙ PLUG IN TIMER TERMINAL
- ⊗ QUICK DISCONNECT TERMINAL
- SCREW TERMINAL
- ⊕ CONNECTION
- ⊖ NO CONNECTION
- ⊗ MOTOR SWITCH
- ⊕ SPLICE
- ⊗ MOTOR PROTECTOR
- ⊕ CHASSIS (CABINET) GROUND

TEMPERATURE SWITCH CIRCUIT

WASH/RINSE	F-H	FF-H	FF-C	F-D
H/C	X			
* W/C	X		X	
* C/C			X	
* W/W		X	X	
R C/C			X	X
R W/C	X			
R W/W		X		X

H=HOT C=COLD W=WARM
R=REGULATED
* NOT ON ALL MODELS.



*** OPTION SWITCH**

POS	OPTION	1-9	1-3	5-4	5-2
1	POWER SCRUB/EXTRA RINSE			X	X
2	EXTRA RINSE	X		X	
3	POWER SCRUB		X		X
4	OFF	X	X		

X=SWITCH CLOSED
* TERMINALS 1, 3, & 9 NOT USED ON ALL MODELS.

WIRING DIAGRAM 134314400

NOTE:
SUFFIX INDICATES TIMER SWITCH CONTACTS
T= TOP
B= BOTTOM