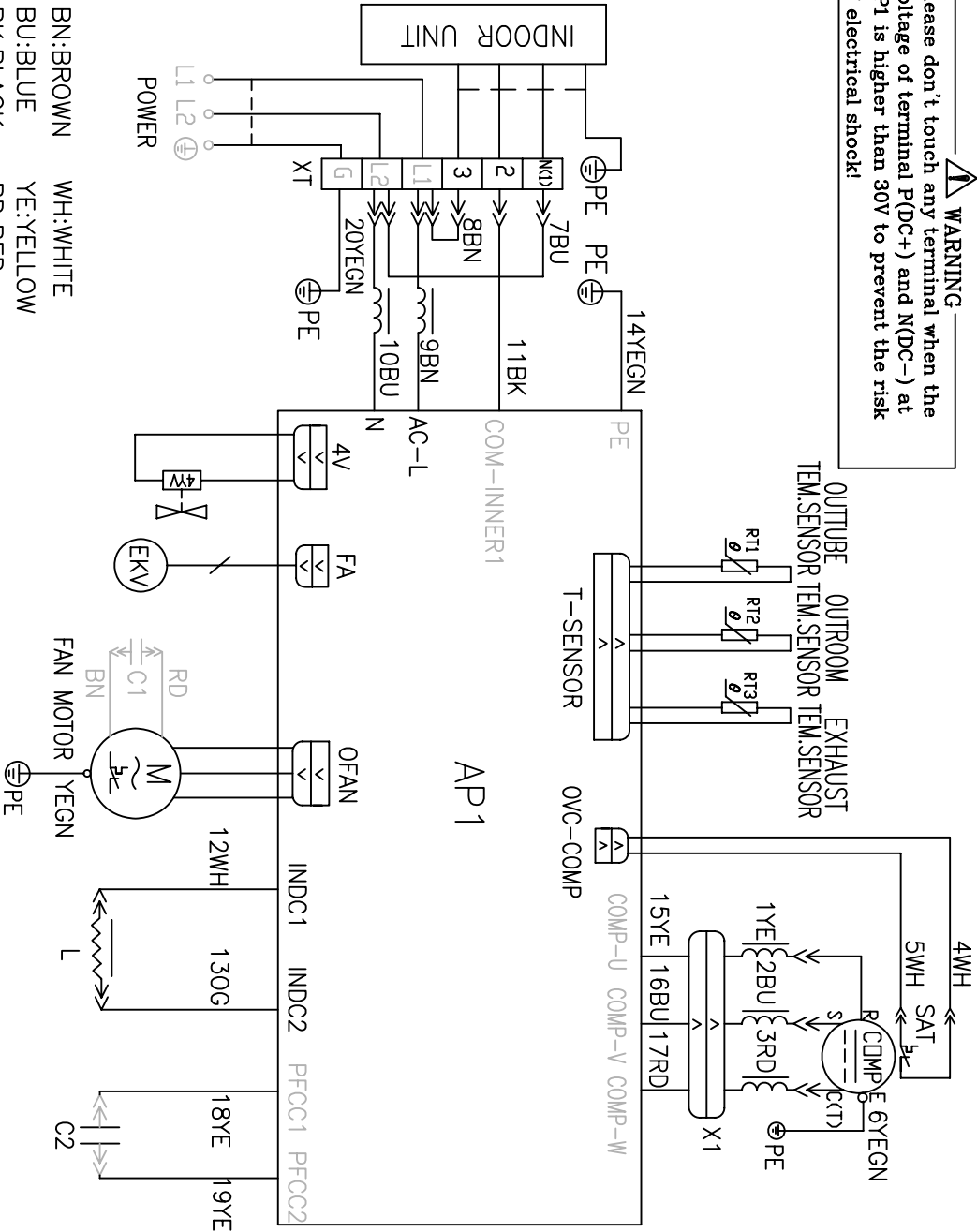


170±1

166±1

**⚠ WARNING**  
 Please don't touch any terminal when the voltage of terminal P(DC+) and N(DC-) at AP1 is higher than 30V to prevent the risk of electrical shock!

- BN: BROWN
- BU: BLUE
- BK: BLACK
- YEGN: YELLOW GREEN
- OG: ORANGE
- WH: WHITE
- YE: YELLOW
- RD: RED
- GREEN



OUTDOOR UNIT  
 63633058

4-R2  
 4-R4