

AGM10AH

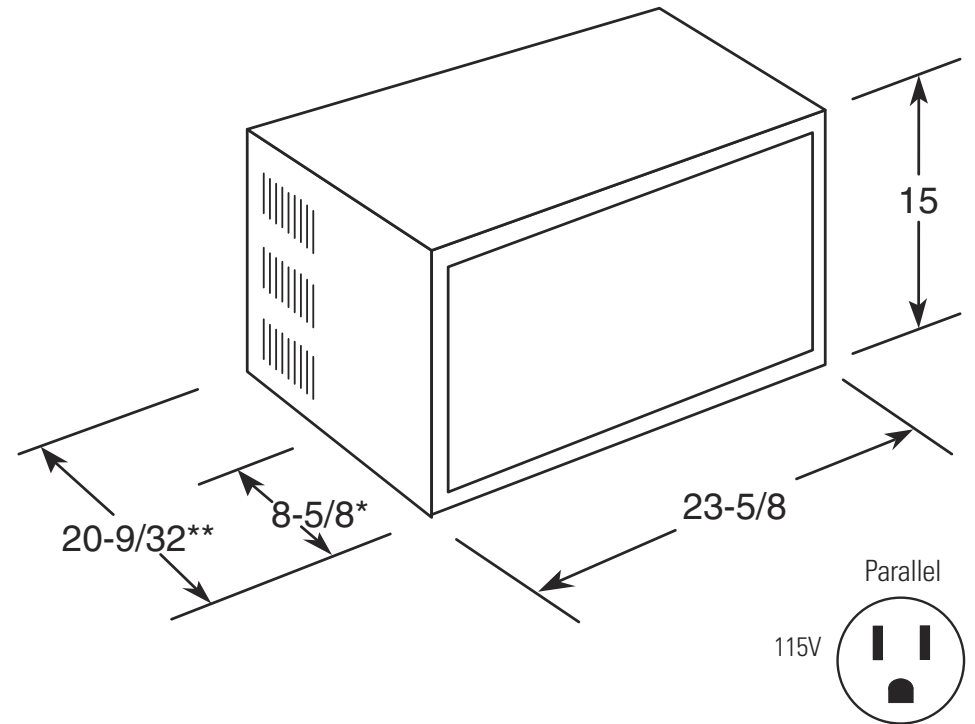
GE® ENERGY STAR® Deluxe 115 Volt Electronic Room Air Conditioner

Wall Case Dimensions and Installation Information (in inches)

Note: When installing slide-out chassis units in through-the-wall applications, keep louvers free. Do not restrict air flow areas. Fixed chassis units are not suitable for through-the-wall applications.

Wall Outlets: All wiring including installation of receptacle must be made in accordance with local electrical codes and regulations. Electrical outlet should be in reach of line cord.

Note: Aluminum wiring may pose special problems – consult a qualified electrician.



*Distance from front of case to side louvers (excluding grille)

**Excludes front grille.

For answers to your Monogram®, GE Profile™ or GE® appliance questions, visit our website at ge.com or call GE Answer Center® service, 800.626.2000.



Total volume and shelf area are calculated by the Association of Home Appliance Manufacturers' standards.



Listed by Underwriters Laboratories



As an ENERGY STAR® partner, GE has determined that this product meets the ENERGY STAR guidelines for energy efficiency.

AGM10AH

GE® ENERGY STAR® Deluxe 115 Volt Electronic Room Air Conditioner

Features and Benefits

- 10,000 Cooling BTU
- 10.8 EER
- 3 Cooling / 3 Fan Only Speeds
- Electronic Thermostat with Remote
- Slide-Out Chassis
- 24-Hour Timer
- Auto Circulaire™
- Energy Saver Feature
- EZ Mount Window Installation
- Power Interruption Restart
- Model AGM10AH

