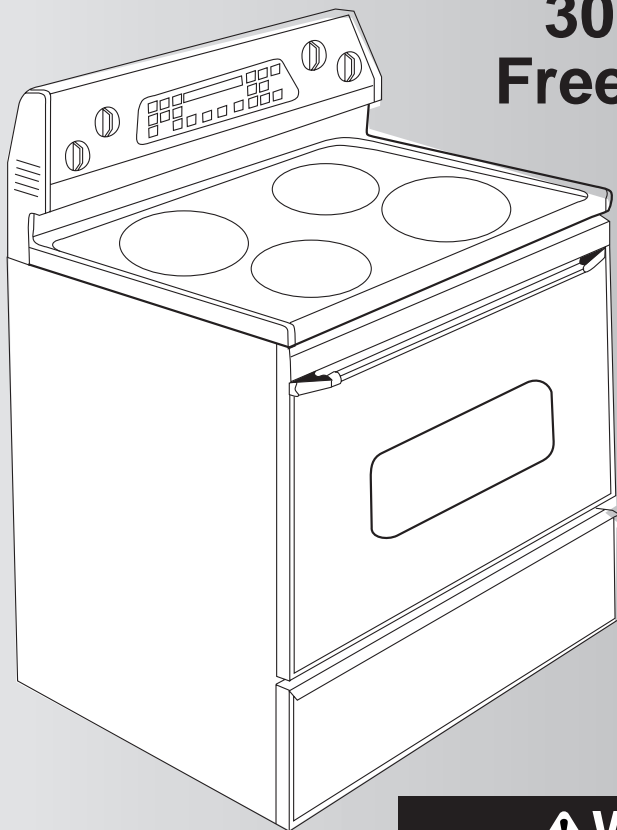


# Installation Instructions

## 30" Electric Freestanding Range



### **WARNING**



#### Tip Over Hazard

A child or adult can tip the range and be killed. Connect anti-tip bracket to rear range foot. Reconnect the anti-tip bracket, if the range is moved. Failure to follow these instructions can result in death or serious burns to children and adults.

## Quick Reference

### Table of Contents:

#### Panels

<b>A</b>	Before you start
<b>A</b>	Cabinet opening and product dimensions
<b>A</b>	Tools needed
<b>A B</b>	Electrical requirements
<b>B C</b>	Installation steps
<b>B C</b>	Electrical connection
<b>Back cover</b>	If range does not operate
<b>Back cover</b>	If you need assistance/service
<b>Back cover</b>	Moving the range

### If you need assistance:

Check your Use and Care Guide for a toll-free number to call or call the dealer from whom you purchased this appliance. The dealer is listed in the Yellow Pages of your phone directory under "Appliances — Household — Major — Service and Repair."

Call when you:

- Have questions about range installation or operation.
- Need to obtain the name and number of an authorized service company.

When you call, you will need:

- The range model number.
- The range serial number.

Both numbers are listed on the model/serial rating plate located on the oven frame behind the storage drawer panel.


## **IMPORTANT:** **Read and save these instructions.** **IMPORTANT:**

**Installer:** Leave Installation Instructions with the homeowner.  
**Homeowner:** Keep Installation Instructions for future reference.  
**Save** Installation Instructions for local electrical inspector's use.

## Before you start...

### Your safety and the safety of others is very important.

We have provided many important safety messages in this manual and on your appliance. Always read and obey all safety messages.

 This is the safety alert symbol. This symbol alerts you to hazards that can kill or hurt you and others. All safety messages will be preceded by the safety alert symbol and the word "DANGER" or "WARNING". These words mean:

### DANGER

You will be killed or seriously injured if you don't follow instructions.

### WARNING

You can be killed or seriously injured if you don't follow instructions.

All safety messages will identify the hazard, tell you how to reduce the chance of injury, and tell you what can happen if the instructions are not followed.

**Important: Observe all governing codes and ordinances. Failure to meet codes and ordinances could lead to fire or electrical shock.**

**Proper installation** is your responsibility. A qualified technician must install this range. Make sure you have everything necessary for correct installation. It is the installer's responsibility to comply with installation clearances specified on the model/serial rating plate. The model/serial rating plate is located on the oven frame behind the storage drawer panel.

**Check location** where range will be installed. The range should be located for convenient use in kitchen.

When installing a range under existing cabinets and the installation does not meet the minimum cabinet clearances, install a range hood above the cooktop to avoid burn hazards.

**ALL OPENINGS IN THE WALL OR FLOOR WHERE RANGE IS TO BE INSTALLED MUST BE SEALED.**

**Cabinet opening dimensions** that are shown must be used. Given dimensions are minimum clearances.

**Grounded electrical supply** is required. See "Electrical requirements," Panel A and B.

It is the customer's responsibility:

To contact a qualified electrical installer.

To assure that the electrical installation is adequate and in conformance with National Electrical Code, ANSI/NFPA 70 — latest edition\* and all local codes and ordinances.

### Mobile home installation

The installation of this range must conform with the Manufactured Home Construction and Safety Standard, Title 24 CFR, Part 3280 [formerly the Federal Standard for Mobile Home Construction and Safety, Title 24, HUD (Part 280)] or, when such standard is not applicable, the Standard for Manufactured Home Installations, ANSI A225.1/NFPA 501A\*, or with local codes.

When this range is installed in a mobile home, it must be secured to the floor during transit. Any method of securing the range is adequate as long as it conforms to the standards listed above.

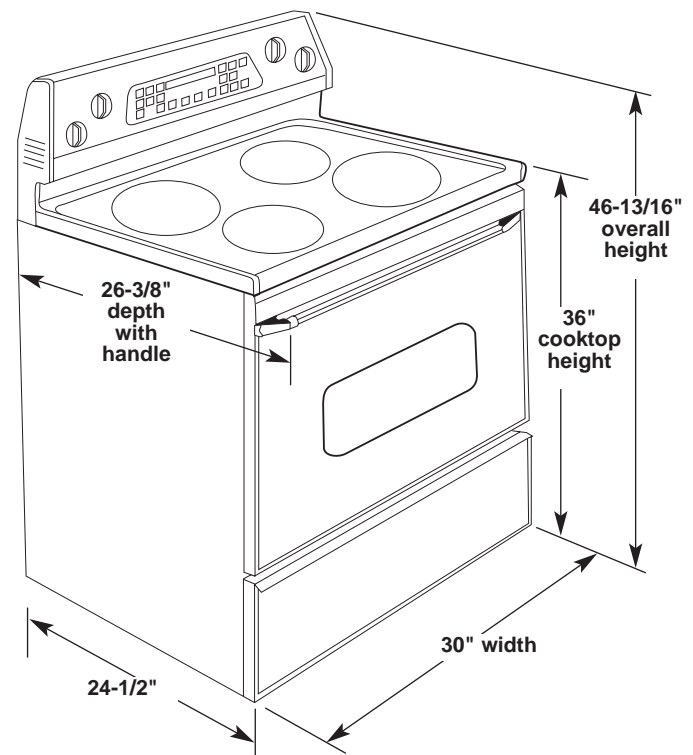
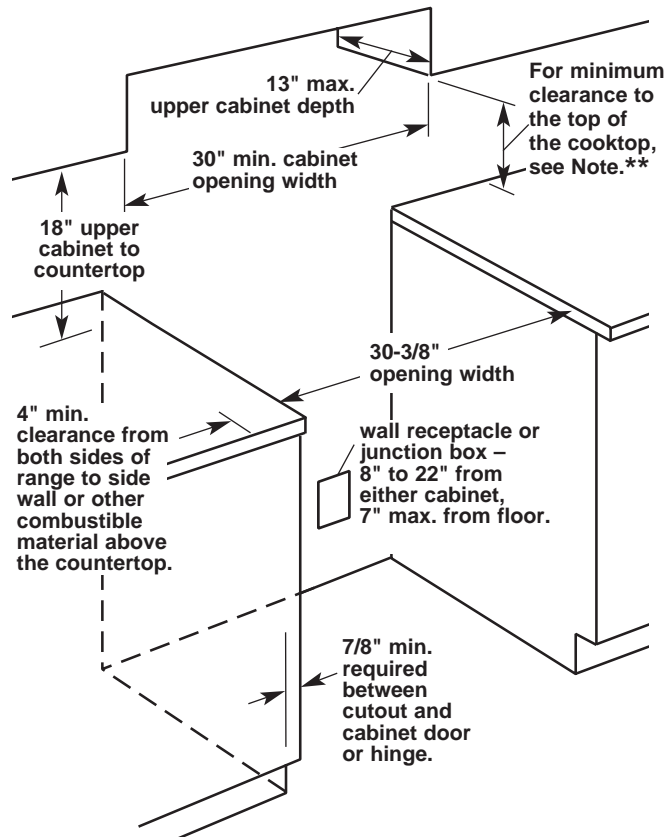
Four-wire power supply cord or cable must be used in a mobile home installation. The appliance wiring will need to be revised. See "Four-wire electrical connection," Panel B.

Copies of the standards listed above may be obtained from:

\* National Fire Protection Association  
One Batterymarch Park  
Quincy, Massachusetts 02269

## Cabinet opening and product dimensions

Cabinet opening dimensions shown are for:  
25" countertop depth, 24" base cabinet depth, 36" countertop height



\*\* Note: 24" min. when bottom of wood or metal cabinet is protected by not less than 1/4" flame retardant millboard covered with not less than No. 28 MSG sheet steel, 0.015 stainless steel, 0.024" aluminum or 0.020" copper.

30" min. clearance between the top of the cooking platform and the bottom of an unprotected wood or metal cabinet.

**Important: Observe all governing codes and ordinances.**

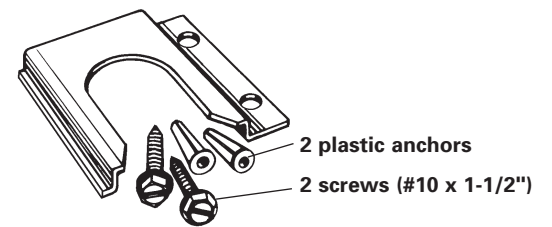
**Grounded electrical outlet** is required. See "Electrical requirements," Panel A and B.

**Cabinet opening dimensions** that are shown must be used.

**Do Not pinch the power supply cord between the range and the wall.**

**Do Not seal range to side cabinets.**

## Parts supplied:

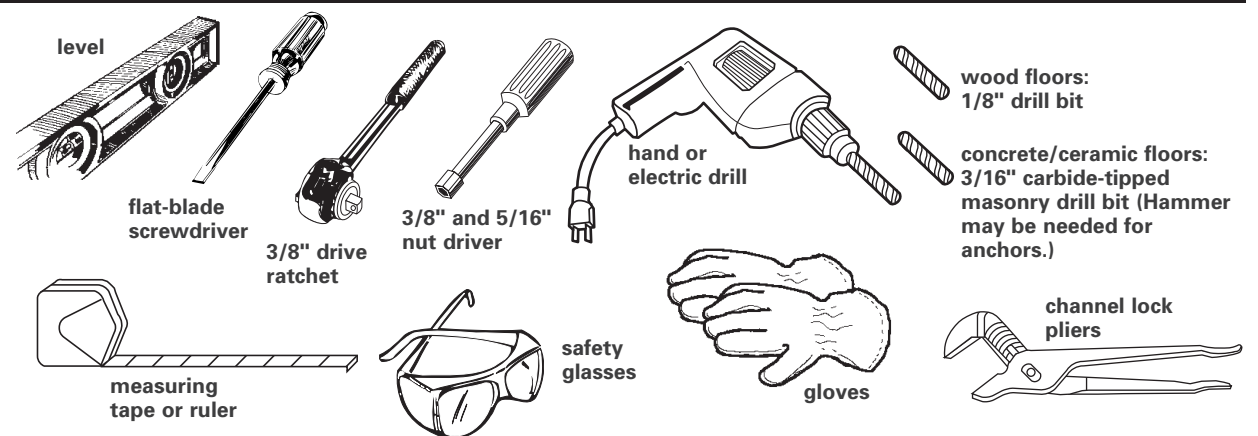


floor-mounted anti-tip bracket

Not shown: literature pack

Brackets must be securely mounted to sub-floor. Thickness of flooring may require longer screws to anchor bracket to sub-floor. Longer screws are available from your local hardware store.

## Tools needed:



## Electrical requirements

**If codes permit and a separate ground wire is used, it is recommended that a qualified electrician determine that the ground path and wire gauge are in accordance with local codes.**

**Do Not ground to a gas pipe.**

**Check with a qualified electrician if you are not sure range is properly grounded.**

**Do Not have a fuse in the neutral or ground circuit.**

### Recommended ground method

**A.** It is the personal responsibility and obligation of the customer to contact a qualified electrician to assure that the electrical installation is adequate and is in conformance with the National Electrical Code, ANSI/NFPA 70 — latest edition\*, and all local codes and ordinances.

**B.** Power supply cord is not supplied, but is available from your dealer or local electrical supply house.

**C.** Range must be connected to the proper electrical voltage and frequency as specified on the model/serial rating plate. (The model/serial rating plate is located on the oven frame behind the storage drawer panel.)

**D. THE RANGE MUST BE CONNECTED WITH COPPER WIRE ONLY.**

**E.** A four-wire or three-wire, single-phase, 120/240-volt, 60-Hz, AC-only, electrical supply (or four-wire or three-wire 120/208-volt if specified on the model/serial rating plate) is required on a separate, 40-ampere circuit, fused on both sides of the line.

**F.** A time-delay fuse or circuit breaker is recommended.

## If connecting to a four-wire electrical system...

**G.** This range is manufactured with the ground connected to the cabinet. The ground must be revised so the green grounding wire of the four-wire power supply cord is connected to the cabinet. See "Four-wire electrical connection" section.

**H.** When a four-wire receptacle of NEMA Type 14-50R is used, a matching U.L.-listed, four-wire, 250-volt, 40-ampere, range power supply cord (pigtail) must be used. This cord contains four copper conductors with ring terminals at the appliance end, terminated in a NEMA Type 14-50P plug on the supply end. The fourth (grounding) conductor must be identified by a green or green/yellow cover and the neutral conductor by a white cover. Cord should be Type SRD or SRDT with a U.L.-listed strain relief and be at least four feet long.



4-wire wall receptacle (14-50R)

The MINIMUM conductor sizes for the copper four-wire power cord are:  
40-ampere circuit  
2, No.-8 conductors  
1, No.-10 white neutral  
1, No.-8 green grounding

## If connecting to a three-wire electrical system...

**I.** Local codes may permit the use of a U.L.-listed, 250-volt, 40-ampere range power supply cord (pigtail). This cord contains three, No.-10 copper wires and matches a three-wire receptacle of NEMA Type 10-50R. Connectors on the appliance end must be provided at the point the power supply cord enters the appliance.



3-wire wall receptacle (10-50R)

**J.** The range can be connected directly to the fused disconnect (or circuit breaker box) through flexible, armored or non-metallic sheathed, copper cable (with grounding wire.) Allow two to three feet of slack in the line so that it can be moved if servicing is ever necessary.

A U.L.-listed conduit connector **must** be provided at each end of the power supply cable (at the range and at the junction box).

Wire sizes (COPPER WIRE ONLY) and connections must conform with the rating of the range (40-amperes).

**K.** The wiring diagram is located on the back of the range or on the inside of the storage drawer in a clear plastic bag.

## Now start... with range in kitchen.

### ⚠ WARNING

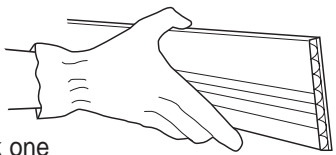
#### Excessive Weight Hazard

Use two or more people to move and install range. Failure to follow this instruction can result in back or other injury.

When moving range, slide range onto cardboard or hardboard to prevent damaging the floor covering.

**1.** Put on safety glasses and gloves. Remove shipping materials, tape and protective film from range. Keep cardboard bottom and shipping base under range. Remove oven racks and parts package from inside oven.

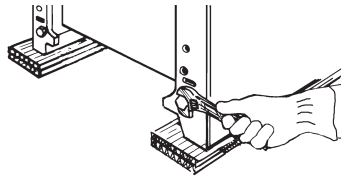
**2.** Take four cardboard corners from the carton. Stack one cardboard corner on top of another. Repeat with other two corners. Place them lengthwise on the floor behind the range — to support the range when it is laid on its back. Firmly grasp the range and gently lay it on its back on the cardboard corners.



**3.** Pull cardboard shipping base firmly to remove.

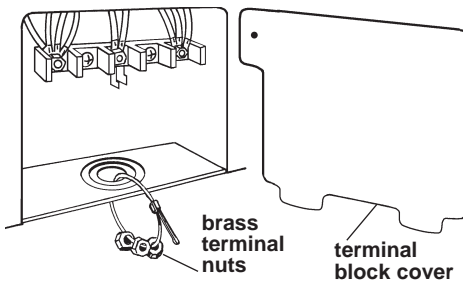
### Panel B

**4.** Use an adjustable wrench to loosen the leveling legs four complete turns.

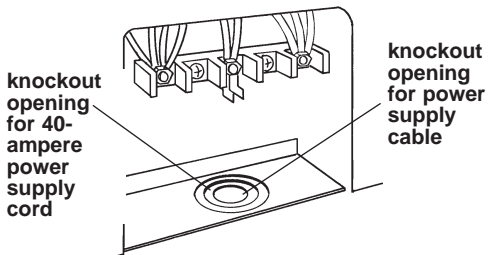


**5.** Place cardboard or hardboard in front of range. Stand range back up onto cardboard or hardboard.

## Electrical connection



**6.** Remove the terminal block cover located on the back of range.



**7.** Depending on your electrical supply, make the four-wire or three-wire connection to the range following the "Power supply cord method" or "Direct wire method" instructions.

## Power supply cord method:

### ⚠ WARNING



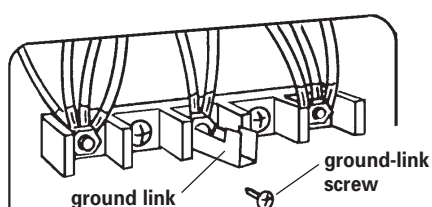
#### Electrical Shock Hazard

Turn power supply off before connecting cord.  
Use a new 40-ampere power supply cord.  
Plug into a grounded outlet.  
Failure to follow these instructions can result in death, fire, or electrical shock.

WARNING - Improper connection of the equipment-grounding conductor can result in a risk of electric shock. Check with a qualified electrician or serviceman if you are in doubt as to whether the appliance is properly grounded. Do not modify the power supply cord plug. If it will not fit the outlet, have a proper outlet installed by a qualified electrician.

1. Disconnect the power supply.
2. Remove the knockout for the 40-ampere power supply cord.
3. Assemble a U.L.-listed strain relief in the opening.
4. Insert the power supply cord through the strain relief, allowing enough slack to easily attach the wiring to the terminal block.
5. Use only ring-type terminals to connect the power supply. To secure the power supply cord, use the 3/8" brass nuts attached to the knockout opening. Be sure nuts are installed tight.
6. Complete electrical connection according to your type electrical supply ("Four-wire electrical connection" or "Three-wire electrical connection").

## Four-wire electrical connection:

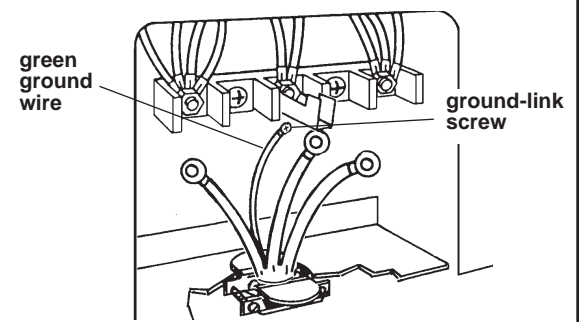


Use this method for mobile homes and whenever four-wire installation is required.

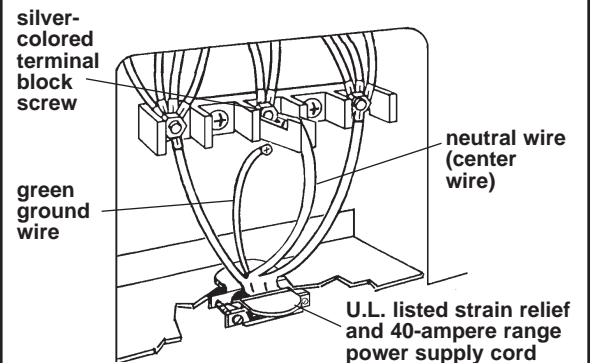
7. Remove the ground-link screw from the range frame. Save the ground-link screw. Bend up the ground link so that it does not contact the range.

*continued...*

## Four-wire electrical connection, continued:

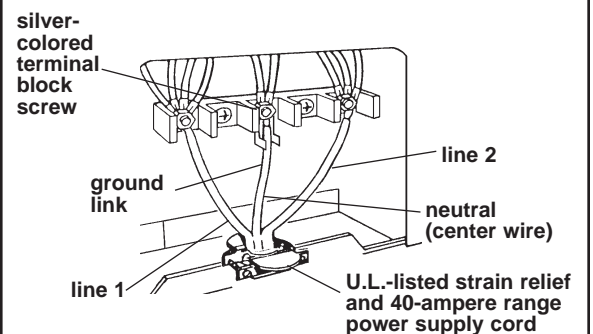


8. Connect the green ground wire from power supply cord to the range using the ground-link screw. **The ground wire must be attached first and must not contact any other terminal.**



9. Connect the neutral (center wire) wire to the center, silver-colored terminal screw on the terminal block using the brass nuts that are attached to the terminal block cover.
10. Connect the other two wires to the outer terminals on the terminal block.
11. **Do Not loosen the factory installed nuts already on the terminal.** Tighten nuts with 3/8" nut driver for proper electrical connection.
12. Tighten the strain relief screws.
13. Replace the terminal block cover.

## Three-wire electrical connection:



Use this method **ONLY** if local codes PERMIT connecting cabinet-ground conductor to neutral wire of power supply cord.

7. Use the brass terminal nuts attached to the terminal block cover to connect the neutral wire (center wire) to the silver-colored terminal screw on the terminal block.
8. Connect the other two wires to outer terminal screws on the terminal block.
9. **Do Not loosen factory-installed nuts already on the terminal.** Tighten nuts with 3/8" nut driver for proper electrical connection.
10. Tighten the strain relief screws.
11. Reinstall the terminal block cover.

## Direct wire method:

### ⚠ WARNING

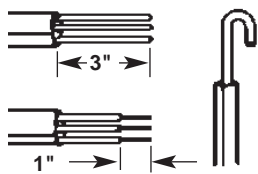
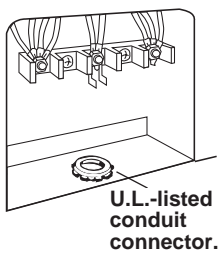


#### Electrical Shock Hazard

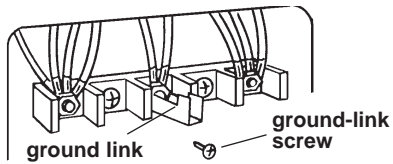
Turn power supply off before connecting wires.  
Use 8-gauge solid copper wire.  
Electrically ground range.  
Failure to follow these instructions can result in death, fire, or electrical shock.

This range must be connected to a grounded, metallic, permanent wiring system, or a ground connector should be connected to the ground terminal or wire lead on the range.

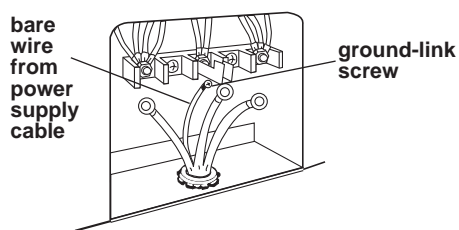
1. Disconnect the power supply.
2. Remove the knockout for the power supply cable.
3. Assemble a U.L.-listed conduit connector in the power supply cable opening.
4. Strip outer covering back 3 inches from end, exposing the wires. Strip the insulation back 1 inch from the end of each wire.
5. Form the bare wire into a "U" shaped hook.
6. Insert the power supply cable through the conduit connector, allowing enough slack to easily attach the wiring terminal block.
7. Complete electrical connection according to your type electrical supply ("Four-wire electrical connection" or "Three-wire electrical connection").



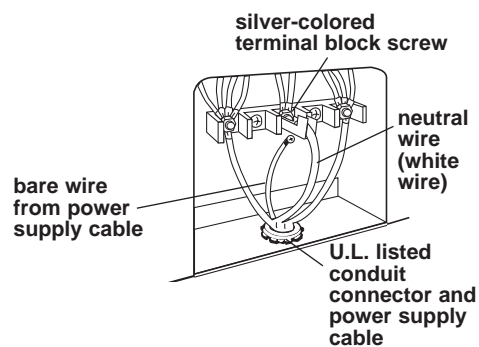
#### Four-wire electrical connection:



8. Remove the ground-link screw from the range frame. Save the ground-link screw. Bend up the ground link so that it does not contact the range.

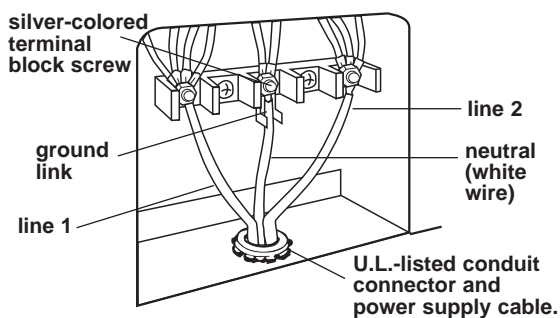


9. Connect the bare grounding wire from power supply cable to the range using the ground-link screw. **The ground wire must be attached first and must not contact any other terminal.**



10. Connect the neutral wire (white wire) to the center, silver-colored terminal screw on the terminal block using the brass nuts that are attached to the terminal block cover.
11. Connect the other two wires to the outer terminals on the terminal block.
12. Do NOT loosen the factory installed nuts already on the terminal. Tighten nuts with 3/8" nut driver for proper electrical connection.
13. Tighten the locking ring and clamping screws of the conduit connector.
14. Replace the terminal block cover.

#### Three-wire electrical connection:



Use this method **ONLY** if local codes PERMIT connecting cabinet-grounding conductor to neutral wire of power supply cable.

8. Use the brass terminal nuts attached to the knockout opening to connect the neutral wire (white wire) to the silver-colored terminal screw on the terminal block.
9. Connect the other two wires to outer terminal screws on the terminal block.

continued...

#### Three-wire electrical connection, continued:

10. Do Not loosen factory-installed nuts already on the terminal. Tighten nuts with 3/8" nut driver for proper electrical connection.
11. Tighten the locking ring and clamping screws of the conduit connector.
12. Reinstall the terminal block cover.

8. Firmly grasp the range and gently lay it on its back on the cardboard corners.

9. Pull cardboard bottom and shipping base firmly to remove.

10. Place cardboard or hardboard in front of range. Stand range back up onto cardboard or hardboard.

## WARNING



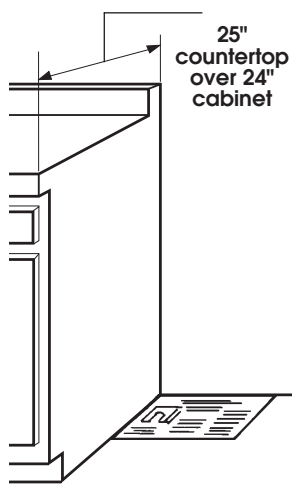
### Tip Over Hazard

**A child or adult can tip the range and be killed.**

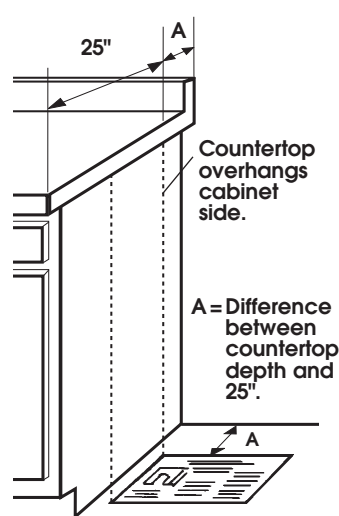
**Connect anti-tip bracket to rear range foot. Reconnect the anti-tip bracket, if the range is moved.**

**Failure to follow these instructions can result in death or serious burns to children and adults.**

11. Place the anti-tip bracket template on the floor in the cabinet opening so that the left edge is against cabinets and the top edge is against the rear wall, molding or cabinet.

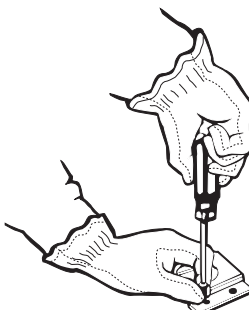


If countertop opening is deeper than 25 inches, measure and mark a distance 25 inches in from front of **countertop opening** and align template with mark (or subtract 25 inches from countertop depth and add the difference to the corresponding dimension). If countertop is not flush to the side of cabinet opening, align the left side of the template to allow for the countertop overhang. Tape the range anti-tip bracket template in place.



**NOTE: Anti-tip bracket must be mounted securely to the subfloor.** Depending on the thickness of your flooring, longer screws may be necessary to anchor the bracket to the subfloor. Longer screws are available from your local hardware store.

12. Line up holes in anti-tip bracket with holes in floor. Use the screws provided to fasten anti-tip bracket to floor.

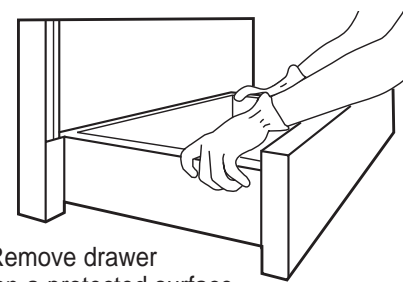


13. Move range close to cabinet opening. Plug power supply cord into grounded outlet or connect power supply cable to junction box. See "Electrical requirements," Panels A and B for details.

14. Remove cardboard or hardboard from under range. Carefully move range into final position.

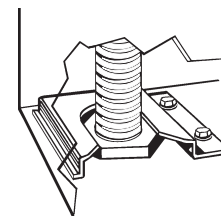
## 15.

Pull drawer open to first stop position. Lift front of drawer to clear white wheels in drawer guides. Remove drawer and set it aside on a protected surface.



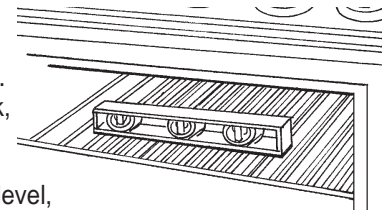
## 16.

Look under range (a flashlight may be needed) to check that left rear leveling leg is engaged in the anti-tip bracket. If leveling leg is not properly engaged, remove and reposition the anti-tip bracket to insure that the leveling leg fits properly in the anti-tip bracket.



## 17.

Place rack in oven. Place level on rack, first side to side; then front to back. If the range is not level, pull range forward until the rear leveling leg is removed from the anti-tip bracket. Adjust the leveling legs up or down. Then slide range back into position. Check that leveling leg is engaged in anti-tip bracket.



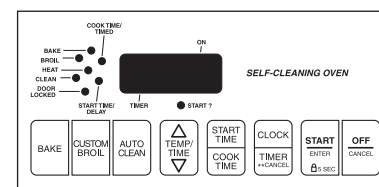
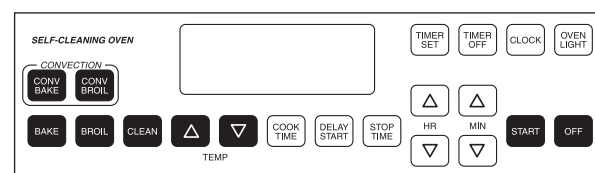
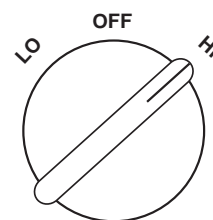
NOTE: Oven must be level for satisfactory baking conditions.

## 18.

Insert storage drawer into slide rails on sides of drawer opening. Lift front of drawer slightly and push firmly to close drawer.

## 19.

Push in and turn each surface unit control knob to "HI" position. Check the operation of the cooktop elements and indicator lights.



The oven will have one of these two types of electronic controls.

## 20.

**Check the operation of the oven element:** Press the "BAKE" pad. "350°F" will appear in the temperature display. Press the "Start/Enter" pad. Pre °F will appear in the display, and a preheating time will count down.

The indicator light should be on. The bottom element should glow red. The upper element should become hot but not glow red. When the preheating time ends, the set temperature will appear in the display. You will hear a 1-second tone.

Press "Cancel/OFF" pad.

## 21.

**Check the operation of the broil element:** Press the "BROIL" pad. "500°F" will appear in the temperature display. Press the "Start/Enter" pad.

The indicator light should come on. Look through the oven window. The top element should glow red.

Press "Cancel/OFF" pad.

**To get the most efficient use from your new electric range, read your Whirlpool Use and Care Guide. Keep Installation Instructions and Guide close to the electric range for easy reference.**

## If range does not operate:

- Check that the circuit breaker is not tripped or the house fuse blown.
- See Use and Care Guide for troubleshooting list.

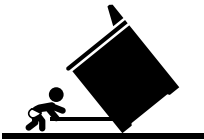
## If you need assistance:

If you have questions about operating, cleaning or maintaining your range:

- Refer to Use and Care Guide.
- Call the Consumer Assistance Center. Check your Use and Care Guide for a toll-free number to call or call the dealer from whom you purchased this appliance. The dealer is listed in the Yellow Pages of your phone directory under "Appliances — Household — Major — Service and Repair."

## Moving the range:

**⚠ WARNING**

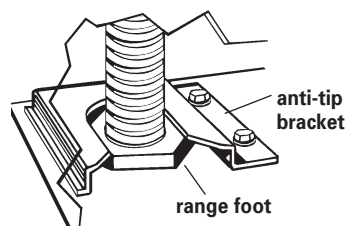


**Tip Over Hazard**  
**A child or adult can tip the range and be killed. Connect anti-tip bracket to rear range foot. Reconnect the anti-tip bracket, if the range is moved.**  
**Failure to follow these instructions can result in death or serious burns to children and adults.**

**When moving range, slide range onto cardboard or hardboard to prevent damaging the floor covering.**

If removing the range is necessary for cleaning or maintenance:

1. **Disconnect the electrical supply.**
2. Slide range forward to complete cleaning or maintenance.



3. **Make sure the anti-tip bracket is installed:**
  - Look for the anti-tip bracket securely attached to floor.
  - Slide range back so rear range foot is under anti-tip bracket.
4. Check that range is level.
5. Reconnect the electrical supply.

## If you need service:

Maintain the quality built into your range by calling an authorized service company.

To obtain the name and number of the authorized service company:

- Contact the dealer from whom you purchased your range; or
- Look in the Yellow Pages of your telephone directory under "Appliances — Household — Major — Service and Repair;" or
- Call the Consumer Assistance Center. The toll-free number is listed in your Use and Care Guide.

When you call, you will need:

- The range model number.
- The range serial number.

Both numbers are listed on the model/serial rating plate located on the oven frame behind the oven door.