

SERVICE DATA SHEET

30" Induction Cooktop with Ceramic Glass

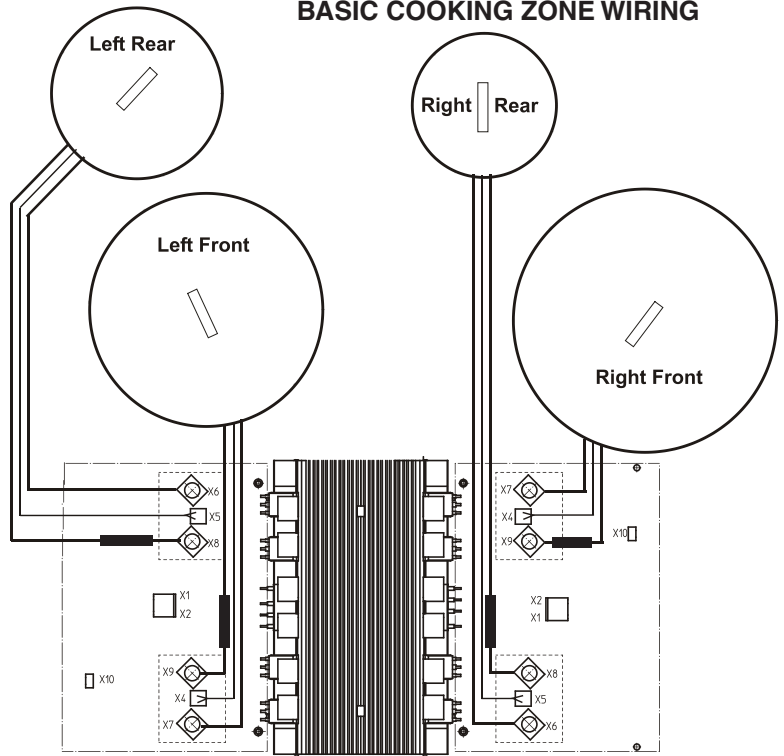
NOTICE - This service data sheet is intended for use by persons having electrical and mechanical training and a level of knowledge of these subjects generally considered acceptable in the appliance repair trade. The manufacturer cannot be responsible, nor assume any liability for injury or damage of any kind arising from the use of this data sheet.

SAFE SERVICING PRACTICES

To avoid the possibility of personal injury and/or property damage, it is important that safe servicing practices be observed. The following are examples, but without limitation, of such practices.

- Before servicing or moving an appliance remove power cord from electrical outlet, trip circuit breaker to OFF, or remove fuse.
- Never interfere with the proper installation of any safety device.
- GROUNDING:** The standard color coding for safety ground wires is *GREEN* or *GREEN WITH YELLOW STRIPES*. Ground leads are not to be used as current carrying conductors. **It is extremely important that the service technician reestablish all safety grounds prior to completion of service. Failure to do so will create a potential safety hazard.**
- Prior to returning the product to service, ensure that:
 - All electric connections are correct and secure.
 - All electrical leads are properly dressed and secured away from sharp edges, high-temperature components, and moving parts.
 - All uninsulated electrical terminals, connectors, heaters, etc. are adequately spaced away from all metal parts and panels.
 - All safety grounds (both internal and external) are correctly and securely reassembled.

BASIC COOKING ZONE WIRING

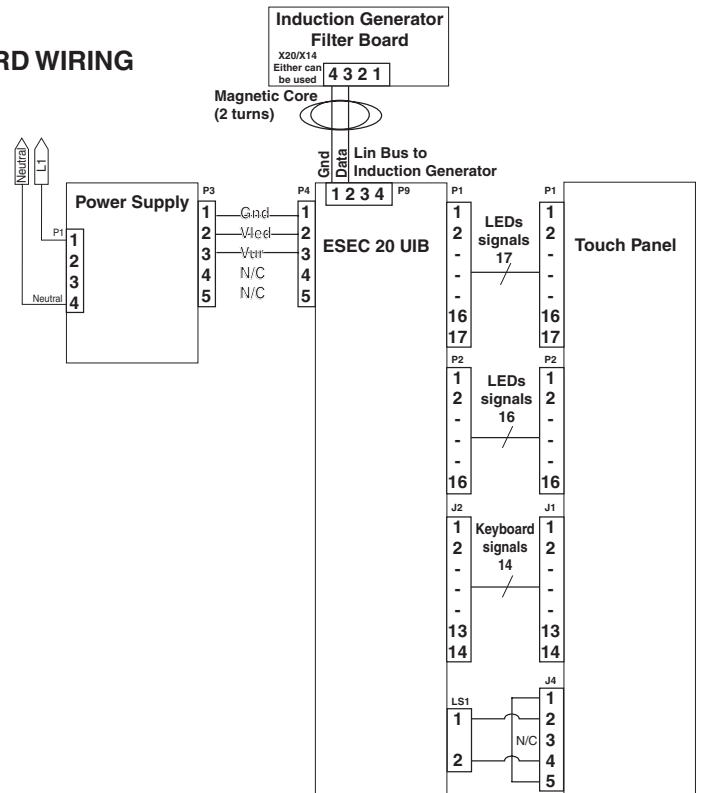


NOTE: Connect shortest black inductor wire (or identified by a red sleeve) to X8 or X9 connectors.

POWER LEVEL EXPLANATION TABLE

Displayed Power Level	LH	Lo	1.2	1.4	1.6	1.8	2.0	2.2	2.4	2.6	2.8	3.0	3.5
Power Level %	3.0	3.0	3.5	4.0	4.5	5.0	5.5	6.0	7.0	8.0	9.0	10.5	13.0
Displayed Power Level	4.0	4.5	5.0	5.5	6.0	6.5	7.0	8.0	9.0	Hi	PB		
Power Level %	15.5	18.0	21.0	25.0	31.0	38.0	45.0	54.0	64.0	100	130-153		

TOUCH CONTROL BOARD WIRING



IMPORTANT
DO NOT REMOVE THIS BAG OR DESTROY THE CONTENTS
 WIRING DIAGRAMS AND SERVICE INFORMATION ENCLOSED
REPLACE CONTENTS IN BAG

ELECTRONIC ERROR (FAULT) CODE DESCRIPTIONS

Error Code - Possible Cause or Condition	Suggested Corrective Action
11- Jammed key.	1) Verify if there is no mechanical interference in the <i>Touch Panel</i> area (utensil, wire, etc) Disconnect power, wait 30 seconds and reapply power. If fault returns: 2) Verify harnesses between the <i>ESEC-UIB</i> and the <i>Touch Panel</i> . 3) Replace <i>ESEC-UIB</i> . 4) Replace the <i>Touch Panel</i> .
14 - <i>Touch Panel</i> Tail missing	Disconnect power, wait 30 seconds and reapply power. If fault returns: 1) Verify harnesses between <i>ESEC-UIB</i> and the <i>Touch Panel</i> . 2) Replace <i>ESEC-UIB</i> . 3) Replace the <i>Touch Panel</i> .
15 - ESEC Self test fail.	1) Check harness going to <i>ESEC-UIB</i> connection. 2) Replace <i>ESEC-UIB</i> .
21- Lin (Local Interconnect Network) error, no communications, shorted bus.	1) Verify the Lin Bus communication harness at <i>ESEC-UIB</i> , P9 connector is well connected and not damaged. 2) Replace <i>ESEC-UIB</i> . 3) Replace <i>Filter Circuit Board</i> .
30/70- AC input voltage too high, <i>Induction Housing Assembly</i> 35/75- AC input voltage too low, <i>Induction Housing Assembly</i>	1) Measure the house voltage at the main incoming connections on the <i>Filter Circuit Board</i> , between terminals X1,X2 and X4,X5 the voltage should be 240 Volts AC \pm 10%. 2) Inspect electrical jumpers from X1 to X2 and X4 to X5. 3) Terminal X6 is your chassis ground wire. 4) If proper voltage is present, replace the <i>Filter Circuit Board</i> .
31- Internal generator error, sync <i>Induction Housing Assembly</i> / Left side cooking zones.	1) Verify cables & connections on the <i>Left Side Generator Circuit Board</i> . 2) Replace the <i>Left Side Generator Circuit Board</i> .
32/33- Power Supply defect, <i>Induction Housing Assembly</i> / Left side cooking zones	1) Test all cables & connections on <i>Filter Circuit Board</i> . 2) Replace the <i>Filter Circuit Board</i> . 3) Replace the <i>Left Side Generator Circuit Board</i> .
34- Internal generator error, communication, <i>Induction Housing Assembly</i> / Left side cooking zones.	1) Check cable between <i>Filter Circuit Board</i> , X12 connector and <i>Left Side Generator Circuit Board</i> , X10 connector. 2) Replace <i>Left Side Generator Circuit Board</i> . 3) Replace <i>Filter Circuit Board</i> .
36- Communication error, <i>Induction Housing Assembly</i> / Left side cooking zones	1) Verify communication harness between <i>ESEC-UIB</i> , P9 connector and <i>Filter Circuit Board</i> , X14/X20 connectors. 2) Verify communication harness going between <i>Filter Circuit Board</i> , connector X12 and <i>Left Side Generator Circuit Board</i> , connector X10. Replace if defective. 3) Replace <i>Filter Circuit Board</i> . 4) Replace <i>Left Side Generator Circuit Board</i> . 5) Replace <i>ESEC-UIB</i> .
37- Heat sink temperature sensor break, <i>Induction Housing Assembly</i> / Left side cooking zones	1) Replace <i>Left Side Generator Circuit Board</i> .
39- Configuration mismatch between the <i>ESEC-UIB</i> and the <i>Induction Housing Assembly</i> (occurs when one of the 2 induction housing is replaced).	1) Disconnect power, wait 30 seconds and reapply power. If fault returns: 2) Make sure the good <i>ESEC-UIB</i> is installed into the cooktop. 3) To resolve this error, press and hold warm key, then press right front zone ON key until beep (keep holding WARM) release right front zone ON key and press left front zone ON key until beep & configuration starts. 4) Replace <i>Filter Circuit Board</i> .
51- Inductor temperature sensor break (LF). 52- Inductor temperature sensor break (LR). 54- Inductor temperature sensor break (RR). 55- Inductor temperature sensor break (RF).	1) Verify element temperature sensor is correctly connect to the good <i>Induction Housing Assembly</i> connector (refer to wiring diagram). 2) Replace Inductor if temperature sensor resistor value is not approximately 1000 ohms (blue wires) at room temperature. 3) Replace associated <i>Generator Circuit Board</i> .
61- LF Inductor temperature sensor too hot. 62- LR Inductor temperature sensor too hot. 64- RR Inductor temperature sensor too hot. 65- RF Inductor temperature sensor too hot.	1) Verify cooktop ventilation is correct (airway & fan). 2) Verify Inductor white isolation material is complete and cover the whole Inductor. 3) Verify Inductor temperature sensor is correctly connected to the <i>Induction House Assembly</i> . 4) Replace Inductor if temperature sensor resistor value is not approximately 1000 ohms (blue wires) at room temperature. 5) Replace associated <i>Generator Circuit Board</i> .
71- Internal generator error. Sync, <i>Induction Housing Assembly</i> / Right side cooking zones.	1) Check all cables and connectors on the <i>Right Side Generator Circuit Board</i> , replace if defective. 2) Replace the <i>Right Side Generator Circuit Board</i> .

ELECTRONIC ERROR (FAULT) CODE DESCRIPTIONS (continued)

Error Code - Possible Cause or Condition	Suggested Corrective Action
72/73- Power Supply defect. <i>Induction Housing Assembly / Right side cooking zones.</i>	1) Test all cables & connections on <i>Filter Circuit Board</i> . 2) Replace the <i>Filter Circuit Board</i> . 3) Replace the <i>Right Side Generator Circuit Board</i> .
74- Internal generator error. Communication, <i>Induction Housing Assembly / Right side cooking zones.</i>	1) Check cable between <i>Filter Circuit Board</i> , connector X13 and the <i>Right Side Generator Circuit Board</i> , connector X10. 2) Replace the <i>Filter Circuit Board</i> . 3) Replace the <i>Right Side Generator Circuit Board</i> .
76- Communication error. <i>Induction Housing Assembly / Right side cooking zones.</i>	1) Verify communication harness between <i>ESEC-UIB</i> P9 connector and <i>Filter Circuit Board</i> X20/X14, replace if damaged. 2) Verify communication harness going between <i>Filter Circuit Board</i> , connector X13 and <i>Right Side Generator Circuit Board</i> , X10 connector. Replace if defective. 3) Replace <i>Filter Circuit Board</i> . 4) Replace the <i>Right Side Generator Circuit Board</i> . 5) Replace <i>ESEC-UIB</i> .
77- Heat sink temperature sensor break, <i>Induction Housing Assembly / Right side cooking zones.</i>	1) Replace the <i>Right Side Generator Circuit Board</i> .

ADDITIONAL ERROR (FAULT) CONDITIONS

SYMPTOM OR FAILURE	CONTROL DISPLAY	POSSIBLE CAUSE OR CONDITION	SUGGESTED CORRECTIVE ACTION
Pan does not heat up.	Normal operation	Pan too small for proper pan detection and only works with low power.	Use larger pan or this pan on a smaller cooking zone. Refer to owners guide for proper pan selection.
	Flashing Power Level Display and pan does not heat.	Pan not detected.	Check whether the pots or pans are suitable for induction. Refer to owners guide for proper pan selection.
		Induction Coil not correctly connected or Induction Coil open.	Check the coil wire terminal connections. Ensure that they are properly connected and tightened. Test continuity of coil (should be less than 1 ohm).
		Distance between coil and glass ceramic too large.	Check whether the coil is properly positioned and touching the glass cooktop surface.
Individual buttons cannot be used or cannot always be used.	None	1. Test cables & connections. 2. <i>Touch Panel</i> defective. 3. <i>ESEC-UIB</i> defective.	1) Follow instructions for proper use of touch controls. 2) Verify harness going between <i>ESEC-UIB</i> J2 and <i>Touch Panel</i> J1 connectors (14 pins). Replace if defective or damaged. 3) Verify there is no mechanical interference close to the <i>Touch Panel</i> (wires, utensils, etc) 4) Replace <i>Touch Panel</i> 5) Replace <i>ESEC-UIB</i> .
Cooking power too low or shuts down prematurely.	None	Fluids spilled or object lying on <i>Touch Panel</i> keypads.	Clean up spills or remove objects. Restart cooktop in normal manner.
	Normal operation	Ventilation slots obstructed.	Clean up spills or remove objects. Restart cooktop in normal manner.
		Unsuitable pots (bottom bent).	Follow owners guide for proper pan selection.
		Distance between coil and glass ceramic too large.	Check whether the glass ceramic was pushed down when being screwed in position and the coil has been correctly positioned.
		Fan does not start.	1) When setting a cooking phase >0, the fan runs at a slow speed. If not, check the fan for foreign objects, remove these where appropriate. 2) If necessary, replace fan. 3) Replace the <i>Filter Circuit Board</i> .
No beep heard when unit is powered up.	All displays show "8.8"	Defective harness.	Check if the 2 wire harness is properly connected from LS1 on <i>ESEC-UIB</i> and J4 on <i>Touch Panel</i> .

ADDITIONAL ERROR (FAULT) CONDITIONS (continued)

SYMPTOM OR FAILURE	CONTROL DISPLAY	POSSIBLE CAUSE OR CONDITION	SUGGESTED CORRECTIVE ACTION
Steady "HE" in display when cooking zone is cold and switched off.	"HE"	Temperature sensor defect.	1) Test coil RTD approx. 1K ohms at room temperature. Replace coil if resistance is not correct. 2) Replace generator circuit board.
Cooktop does not initialize/operate.	Blank No Display No Beep	Cooktop not powered	- Verify cooktop installation.
		Defective ESEC20 power supply.	1) Measure voltage at the power supply input P1 pins 1&4 should be 120VAC. Verify harness if voltage is not present. 2) Measure voltage at power supply output P3 pins 1&2 should app. 8VDC. Replace ESEC power supply if voltage is not present. 3) Measure voltage at power supply output P3 pins 1&3 should be app. 16VDC. Replace ESEC power supply if voltage is not present.
		Defective <i>ESEC-UIB</i> .	Replace <i>ESEC-UIB</i> .

