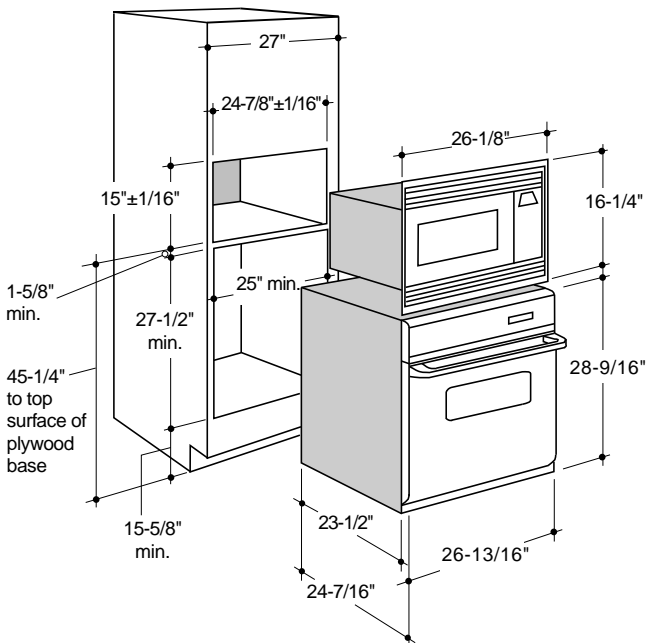
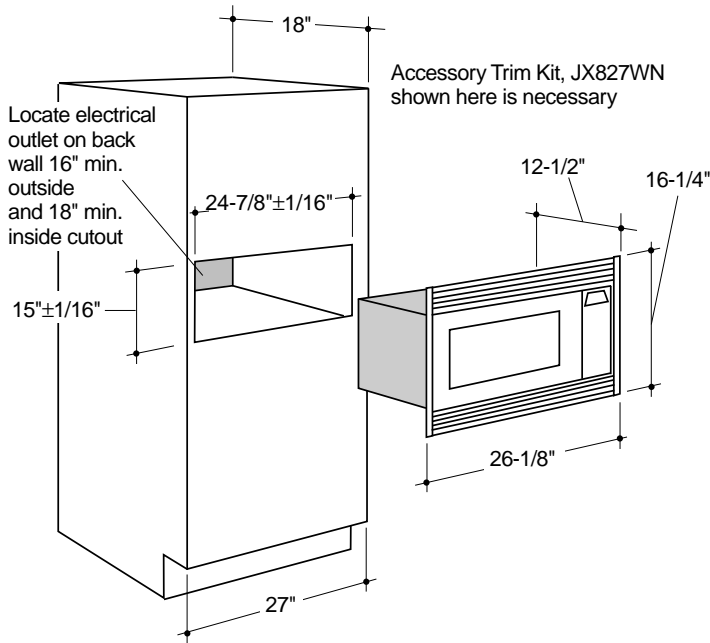




Monogram™

ZEM200WV—Microwave Oven

Dimensions and Specifications (in inches)



Product Dimensions:

H 11-3/16"
 W 23-13/16"
 D 12-5/16"

Cutout Dimensions:

H 15" ± 1/16"
 W 24-7/8"
 D 16" - 18"

Accessory Kits:

JX827WN Kit is required for in-cabinet installation of Model ZEM200WV

Note: When installed, trim kit will require wall space 26-1/8"W x 16-1/4"H for clearance.

Installation Option includes: ZEM200WV

Spacemaker II™ microwave oven built-in with a JX827WN trim kit above a Monogram 27" single wall oven.

This Monogram microwave oven requires a 120 volt, 60Hz power supply, protected by a time delay fuse or circuit breaker

ZEM200WV oven is supplied with a power cord 57" long for which a properly grounded 3-prong electrical receptacle is required.

800 watt oven ZEM200WV draws 1360 watts, with a 13 amp load.

For answers to your Monogram®, GE Profile™, GE, Hotpoint and RCA appliance questions, call GE Answer Center® service, 800.626.2000.

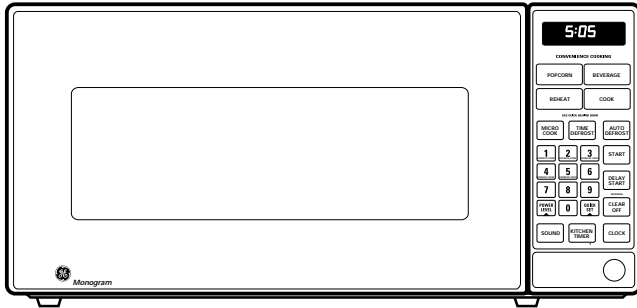


Listed by
 Underwriters
 Laboratories



Monogram™

ZEM200WV—Microwave Oven



Features and Benefits

- White on white Model
- .8 cu. ft. Oven Cavity
- 800 Watts*
- Electronic Touch Controls
- Express Cook With Instant -On
- Electronic Digital Display With Clock
- Sensor Cooking Controls For Popcorn, Beverage, Reheat and Cook Pads
- Micro Cook I & II
- Time and Auto Defrost
- Add 30 Seconds
- Delay/Start Reminder
- 10 Power Levels
- Model ZEM200WV—White on white
- Model ZEM200GV—Black With Greystone Case

*IEC-705 Test Procedure