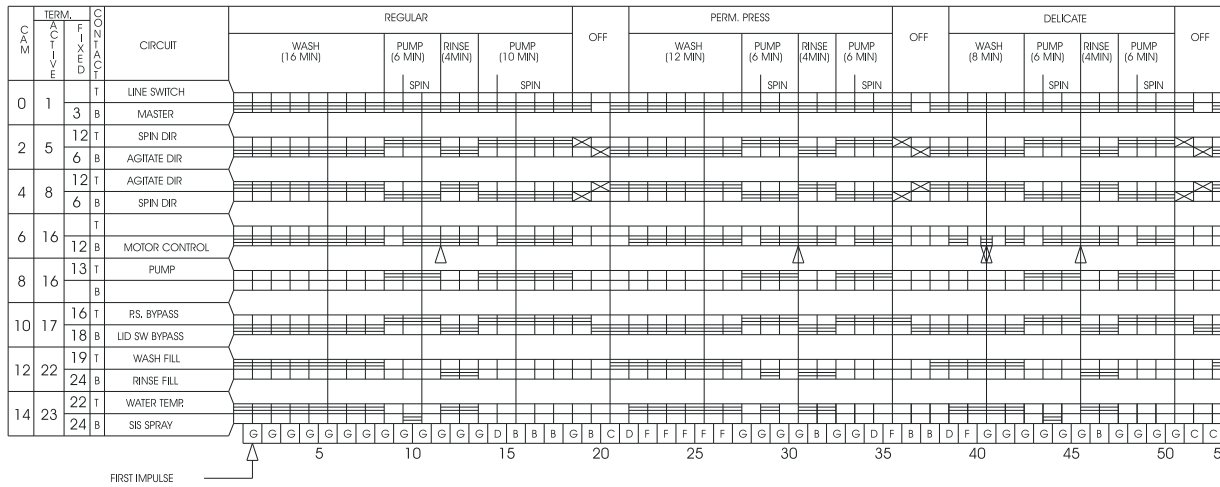
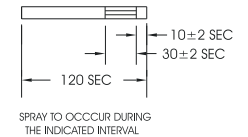


CAUTION: DISCONNECT ELECTRIC CURRENT BEFORE SERVICING



SUBINTERVAL SPRAY DETAIL

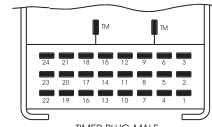
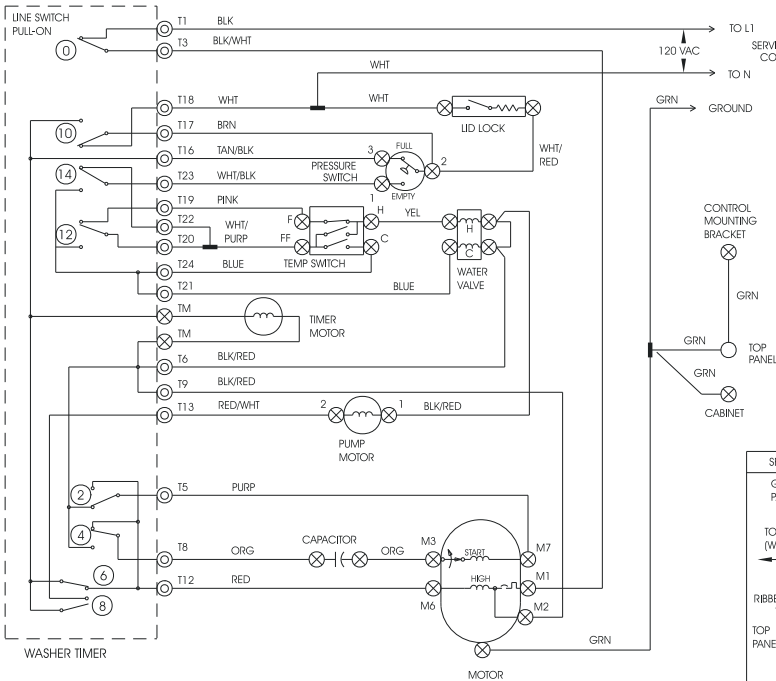


⊗ INDICATES SWITCH CLOSED FOR APPROX. 5 SEC.
 Δ INDICATES SWITCH OPEN FOR 9 ± 4 SEC.

RACHET ANGLE LEGEND

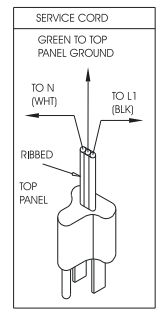
A	4.5°
B	5.0°
C	5.5°
D	6.0°
E	6.5°
F	7.0°
G	7.5°

CIRCLED NUMBERS INDICATE CAM



WIRING CODES

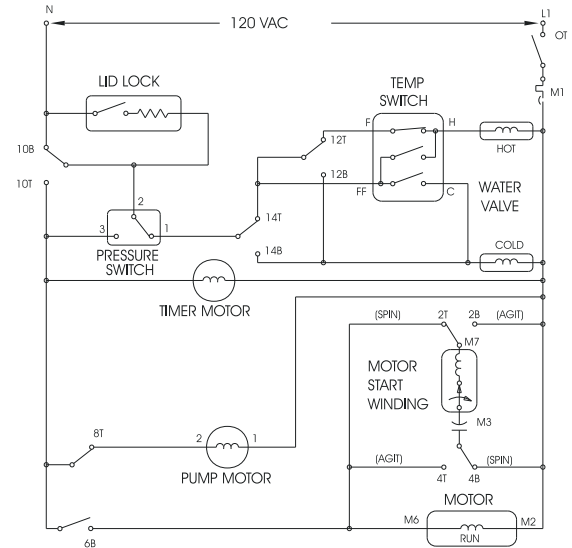
- ⊙ PLUG-IN-TIMER TERMINAL
- ⊗ QUICK DISCONNECT TERMINAL
- SCREW TERMINAL
- CONNECTION
- + NO CONNECTION
- ⊗ MOTOR SWITCH
- SPlice
- MOTOR PROTECTOR



TEMPERATURE SWITCH CIRCUIT

	F-H	FF-H	FF-C
WASH/RINSE	X	○	○
HOT/COLD	X	○	○
WARM/COLD	X	○	X
COLD/COLD	○	○	X
WARM/WARM(OPT)	○	X	X

○=OPEN X=CLOSED
 (OPT)=OPTIONAL ON SOME MODELS



NOTE: SUFFIX INDICATES TIMER SWITCH CONTACTS
 T=TOP
 B=BOTTOM