



**Electrolux**

Factory Parts Catalog

Product No.	EI30HI55KSB	EI36HI55KSB	EI48HI55KSB
Market	North America	North America	North America
Color	stainless steel	stainless steel	stainless steel
Exhaust-CFM	600/1200 CFM	600/1200 CFM	600/1200 CFM
Volts	120	120	120
Owner's Guide	316902479en	316902479en	316902479en
Installation Instructions	316902479	316902479	316902479
Wiring Diagram	5995622635	5995622635	5995622635



**Electrolux Major Appliances**

P.O. BOX 8020  
CHARLOTTE, NC 28262

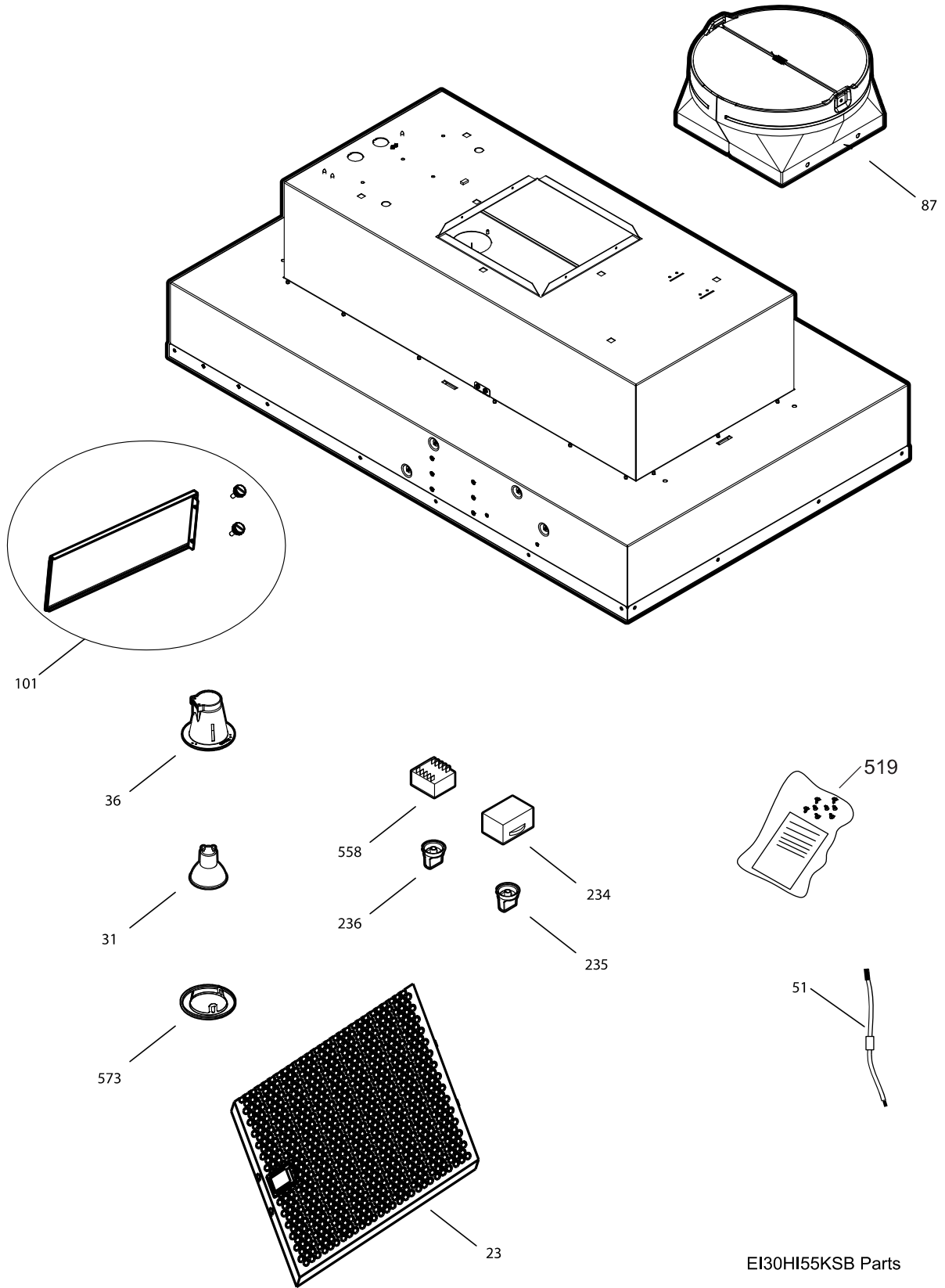
This Catalog replaces 5995622635

Publication No.  
**5995646501**  
14/06/06  
(EN/SERVICE/KC)  
099

**RANGE HOOD**

Model No.  
EI30HI55K / EI36HI55K /  
EI48HI55K

REPLACEMENT PARTS



EI30HI55KSB Parts

---

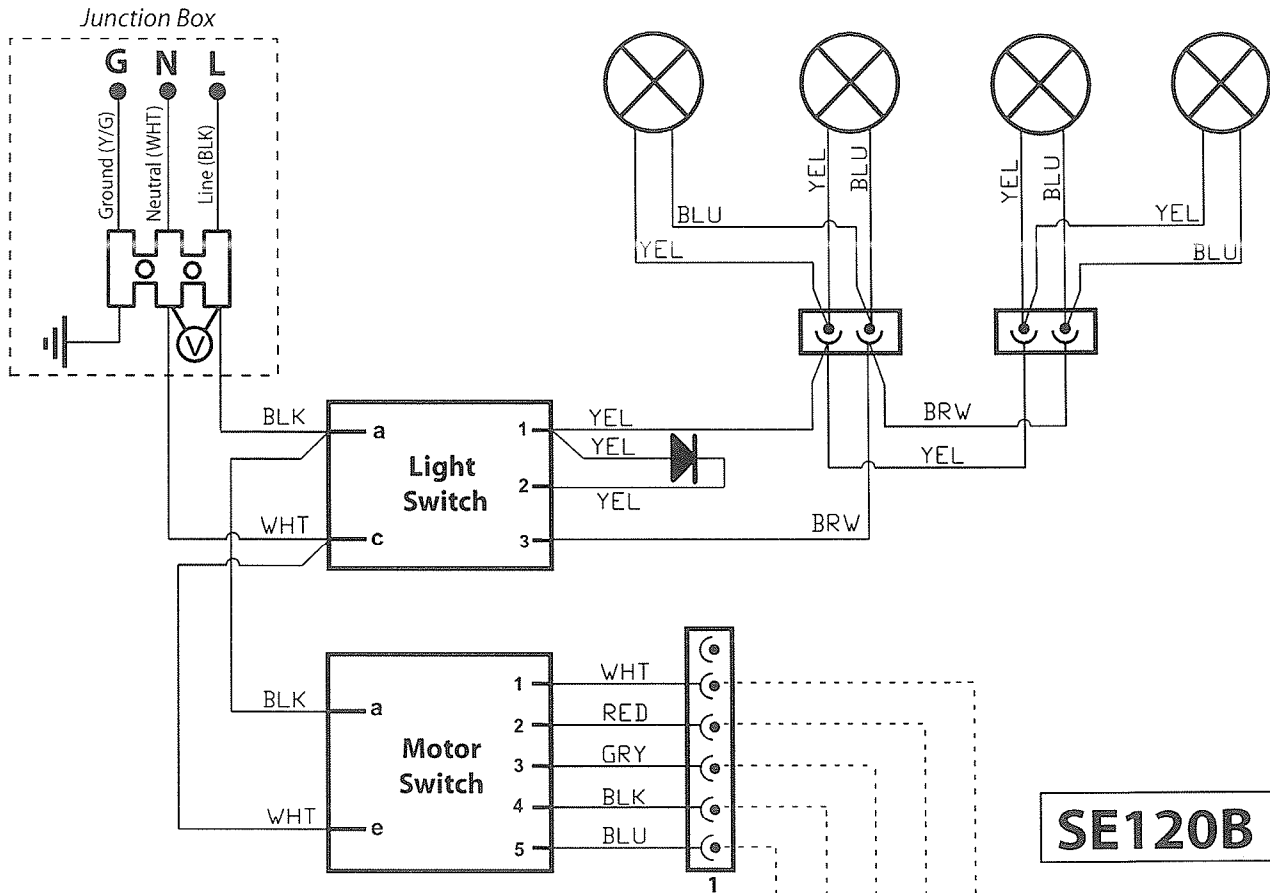
**REPLACEMENT PARTS**


---

*Model Index:*   A EI30HI55K (EI30HI55KSB)  
                       B EI36HI55K (EI36HI55KSB)  
                       C EI48HI55K (EI48HI55KSB)

POS. NO	PART NO.		DESCRIPTION
23 #	5304464265	A B C	Filter, grease
31 #	5304466038	A B C	Lamp, halogen, 50 W, 120 V
36 #	5304487848	A B C	Lamp Holder, socket, w/housing
51 #	5304487852	A B C	Wiring Harness, lamp, with diode
87	5304487841	A B C	Damper, exhaust
101	5304487851	A B C	Spacer, filter
234#	5304487843	A B C	Switch, motor, rotary
235	5304487844	A B C	Knob, motor switch
236	5304487845	A B C	Knob, light switch
519	5304487846	A - -	Hardware, installation, w/user manual
519	5304487847	- B C	Hardware, installation, w/user manual
558#	5304487842	A B C	Switch, light/lamp, rotary
573	5304487849	A B C	Bezel, lamp assembly

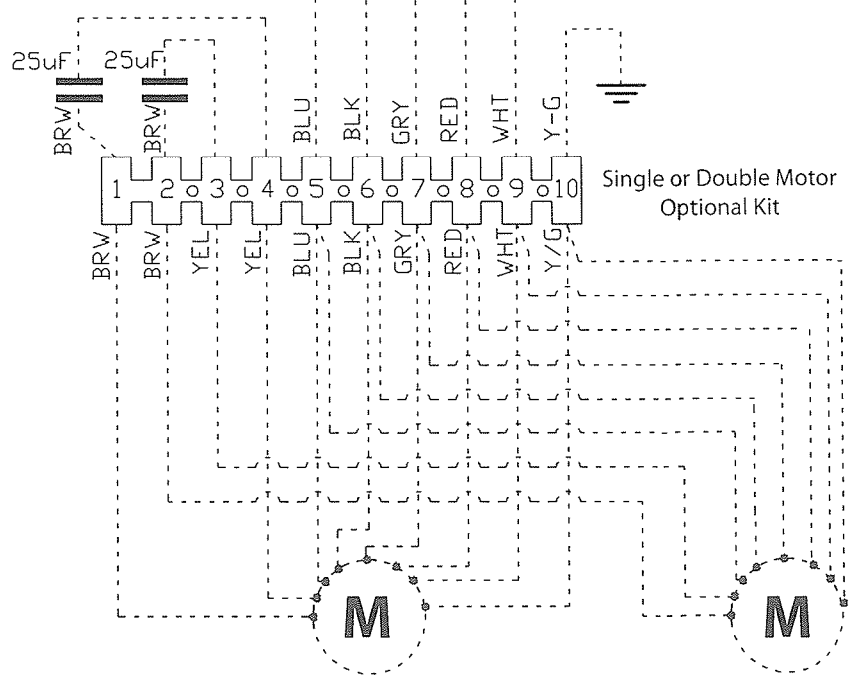
**WIRING DIAGRAM**



**SE120B**

Motor Resistance ( Ωhms )	
Blue - Black	9.8 (max)
Blue - Grey	14.3
Blue - Red	18
Blue - White	21.6(min)
Room Temp.	23 °C

Motor Characteristics	
Power supply	120 v AC
Frequency	60 Hz
Power Absortion	420 Watts.
Current	3.7A



Single or Double Motor  
Optional Kit