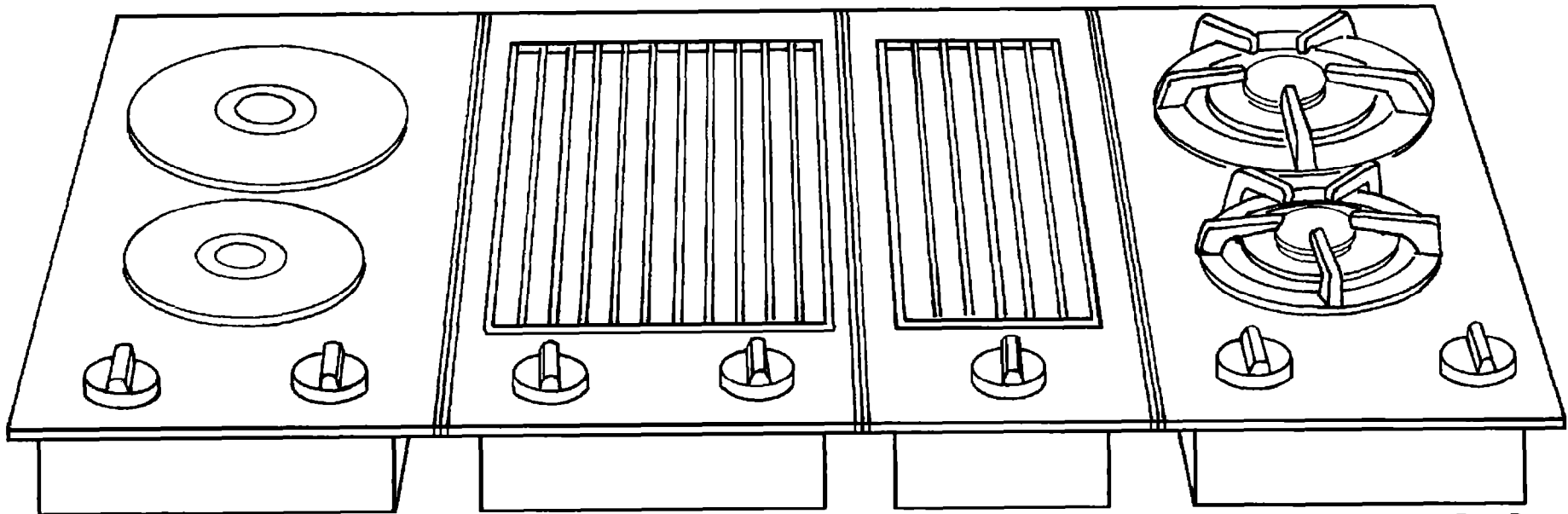


KitchenAid®

HOME APPLIANCES

Installation Instructions

Create-a-Cooktop



Part No. 3186523 Rev. D

IMPORTANT:
Read and save these
instructions.

Important:

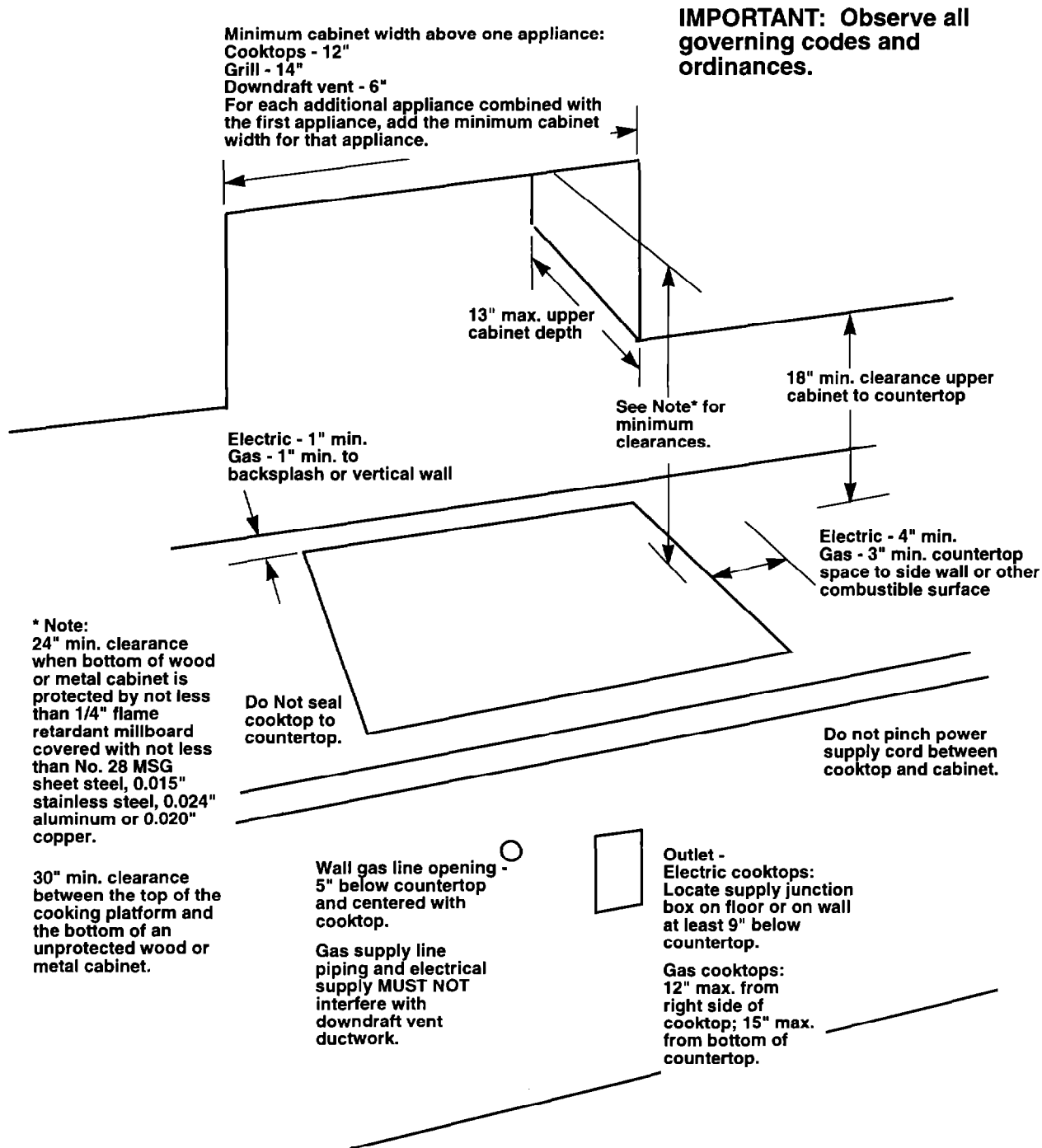
Installer: Leave Installation Instructions with the homeowner.

Homeowner: Keep Installation Instructions for future reference.

Save Installation Instructions for local electrical inspector's use.

Write down the model and serial numbers before installing cooktop.

Both numbers are on the model/serial rating plate, located on the bottom of cooktops and grills and on the right side, above the wiring box on the downdraft vent blower box.



Your safety and the safety of others is very important.

We have provided many important safety messages in this manual and on your appliance. Always read and obey all safety messages.



This is the safety alert symbol. This symbol alerts you to hazards that can kill or hurt you and others. All safety messages will be preceded by the safety alert symbol and the word "DANGER" or "WARNING". These words mean:

⚠ DANGER

You will be killed or seriously injured if you don't follow instructions.

⚠ WARNING

You can be killed or seriously injured if you don't follow instructions.

All safety messages will identify the hazard, tell you how to reduce the chance of injury, and tell you what can happen if the instructions are not followed.

WARNING: If the information in this manual is not followed exactly, a fire or explosion may result causing property damage, personal injury or death.

- Do not store or use gasoline or other flammable vapors and liquids in the vicinity of this or any other appliance.
- **WHAT TO DO IF YOU SMELL GAS**
 - Do not try to light any appliance.
 - Do not touch any electrical switch.
 - Do not use any phone in your building.
 - Immediately call your gas supplier from a neighbor's phone. Follow the gas supplier's instructions.
 - If you cannot reach your gas supplier, call the fire department.
- Installation and service must be performed by a qualified installer, service agency or the gas supplier.

Before you start...

Proper installation is your responsibility. Make sure you have everything necessary for correct installation. It is the responsibility of the installer to comply with the installation clearances specified on the model/serial rating plate. The model/serial rating plate is located on the bottom of cooktops and grills and on the right side, above the wiring box on the downdraft vent blower box.

Check location where cooktops, grills and downdraft vents will be installed. The location should be away from strong draft areas, such as windows, doors and strong heating vents or fans. All should be located for convenient use in the kitchen.

Do Not obstruct the flow of combustion and ventilation air.

ALL OPENINGS IN THE WALL OR FLOOR WHERE COOKTOPS, GRILLS AND DOWNDRAFT VENTS ARE TO BE INSTALLED MUST BE SEALED.

Grounded electrical outlet is required. See "Electrical requirements," Page 6.

When installing a downdraft vent, the cabinet drawer(s) will need to be removed and the drawer front(s) installed permanently to cabinet.

Proper gas supply connection must be available. See "Gas supply requirements," Page 19.

30" min. base cabinet is required. If cabinet has a drawer, a 3-1/2" depth clearance from the countertop to the top of the drawer (or other obstruction) in base cabinet is required.

Product dimensions

All cooktops are same size. The distance to the front edge of the countertop, distance to a side wall or other combustible surface, location of electric supply and height to cabinets above cooktop varies depending whether the cooktop is gas or electric.

Cabinet construction: This appliance is designed for use in a base cabinet with a depth of 24". The maximum depth for the overhead cabinets is 13". The minimum vertical clearance between the cooking surface and the overhead depends on the type of overhead cabinets you have. (See Note, Page 2.) Overhead cabinets installed at either side of the appliance must be a minimum of 18" above the cooking surface. The minimum distance between the front edge of the countertop and the front edge of the cooktop is 3/4". The minimum horizontal distance between overhead cabinets above appliances is the same as the width of the installed appliances.

When installing a cooktop under existing cabinets and the installation does not meet the minimum cabinet clearances, install a range hood above the cooktop.

Important: Observe all governing codes and ordinances.

WARNING: To reduce the risk of fire, electric shock, or injury to persons, observe the following:

Installation work and electrical wiring must be done by qualified person(s) in accordance with all applicable codes and standards, including fire-rated construction.

Sufficient air is needed for proper combustion and exhausting of gases through the flue (chimney) of fuel burning equipment to prevent back drafting. Follow the heating equipment manufacturer's guideline and safety standards such as those published by the American Society for Heating, Refrigeration and Air Conditioning Engineers (ASHRAE), and the local code authorities.

When cutting or drilling into wall or ceiling, do not damage electrical wiring and other hidden utilities.

Ducted fans must always be vented to the outdoors.

WARNING: To reduce the risk of fire, use only metal ductwork.

It is the customer's responsibility:

To contact a qualified electrical installer. To assure that electrical installation is adequate and in conformance with National Electrical Code, ANSI/NFPA 70 — latest edition*, and all local codes and ordinances.

Copies of the standards listed above may be obtained from:

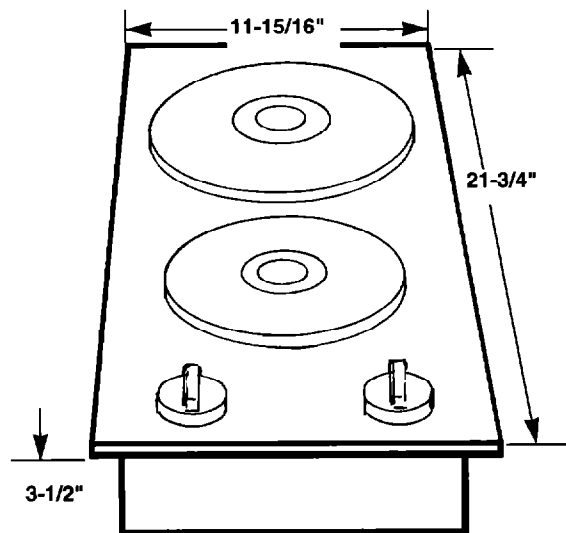
* National Fire Protection Association
Batterymarch Park
Quincy, Massachusetts 02269

Product/cutout Dimensions

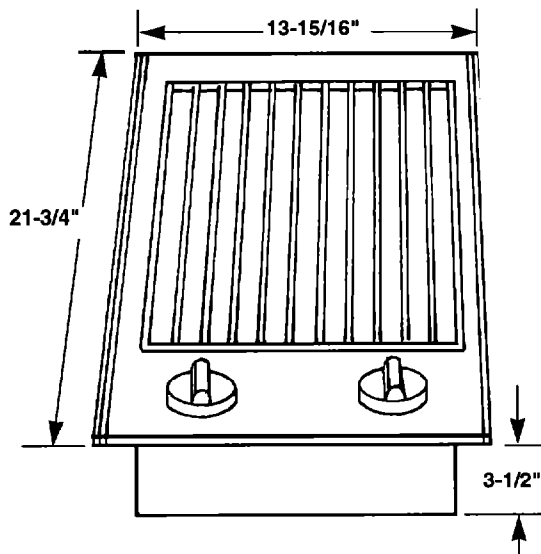
Single Installations — One product per cutout

WARNING: To reduce the risk of fire, electric shock and injury to persons, the downdraft vent system must be installed with either the KitchenAid Model KPED890T exterior mounted motor unit or the KitchenAid Model KPID850T interior mounted motor unit. These units are marked to indicate their suitability with the downdraft vent system. Other motor units cannot be substituted.

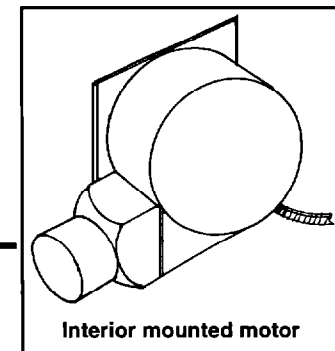
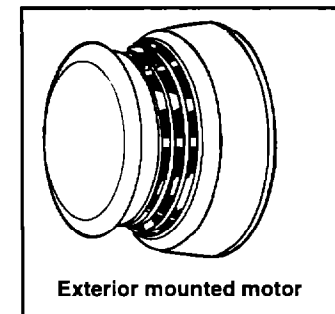
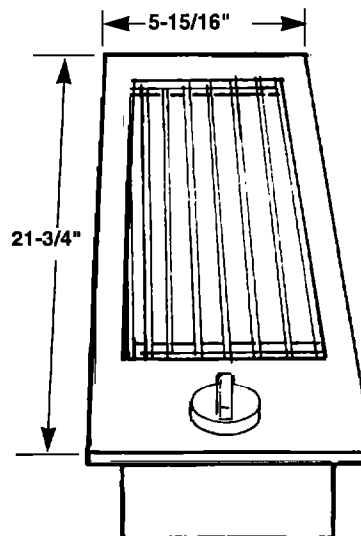
Electric and Gas Cooktops



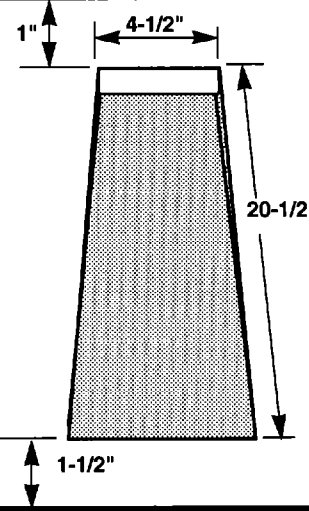
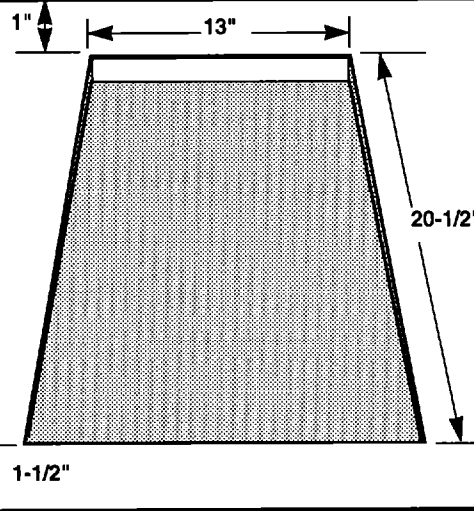
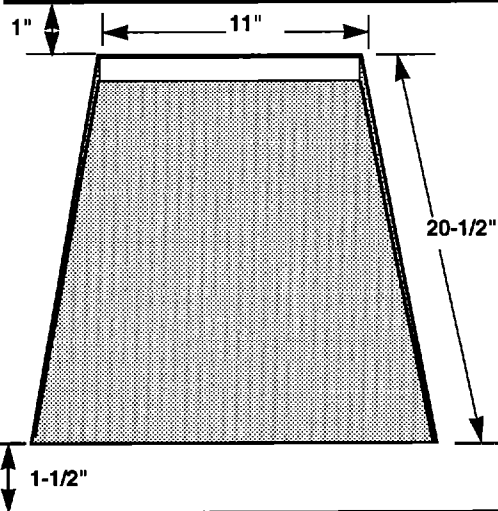
Electric Grill



Downdraft Vent

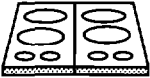
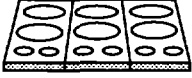
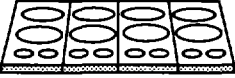
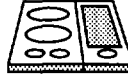

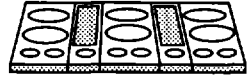




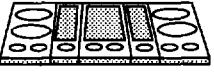



The downdraft vent system can be installed with either an interior mounted motor or an exterior mounted motor. Exterior roof-mounted system requires Roof Mount Kit, Part No. 4173296, which includes dome cover and flashing. See your KitchenAid dealer for this kit. One exterior power vent motor can be used to operate two downdraft vent systems.



Combinations —

When installing cooktops, grills and downdraft vents in the same cutout, use the following width dimensions:

Combination	 2 cooktops	 3 cooktops	 4 cooktops	 1 cooktop and 1 downdraft vent	 2 cooktops and 1 downdraft vent	 3 cooktops and 2 downdraft vents
Cutout Width	23" min.	35" min.	47" min.	16-7/8" min.	29" min.	47" min.

Combination	 4 cooktops and 3 downdraft vents	 1 cooktop, 1 downdraft vent and 1 grill	 2 cooktops, 2 downdraft vents and 1 grill	 1 grill and 1 downdraft vent	 2 grills and 1 downdraft vent	 3 grills and 2 downdraft vents
Cutout Width	65" min.	31" min.	49" min.	18-7/8" min.	33" min.	53" min.

All other dimensions remain the same for all cutouts:

Cutout depth: 20-1/2"

Cutout to front of countertop: 1-1/2"

Cutout to rear wall: 1"

Cutout to combustible surface: 4" electric
3" gas

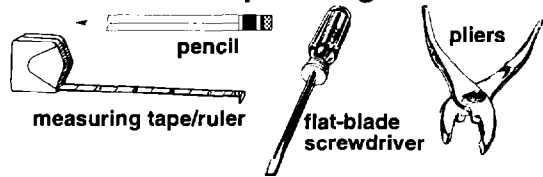
Special note for installations with gas cooktop:

- If a single downdraft vent is to be installed next to a gas cooktop, the downdraft vent must use the **interior mounted** vent motor only.
- If a gas cooktop is to be located between two downdraft vents, an **exterior vent** motor and "**T**" **adapter** kit must be used.
- "T" adapter kits (Black 4175456, White 4319251, Almond 4319252) are available from your KitchenAid dealer.

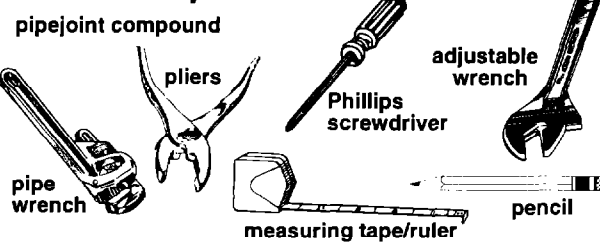
Tools/Parts

Tools and materials needed for installation:

Electric cooktops and grills



Gas cooktops



Downdraft vents

- Phillips screwdriver
- metal snips
- wire stripper or utility knife
- duct tape
- caulking gun
- measuring tape/ruler
- flat-blade screwdriver or 7/16" nut driver
- pencil
- power supply cable
- saber saw or key hole saw
- drill
- 1/8" drill bit
- pliers
- level
- 10mm or 3/8" nut driver or ratchet

Parts supplied for installation:

Downdraft vents



literature

- 1 control knob
- 1 capacitor bracket
- 4 wire nuts
- 2 conduit connectors
- 2 #8 Phillips-head screws to attach capacitor bracket
- 4 #6 Phillips-head screws to attach plenum

Electric Cooktop and Grill

Electrical requirements

⚠ WARNING



Electrical Shock Hazard

Electrically ground cooktop.
Failure to do so can result in death, fire, or electrical shock.

If codes permit and a separate ground wire is used, it is recommended that a qualified electrician determine that the ground path is adequate.

Do Not ground to a gas pipe.

Check with a qualified electrician if you are not sure the appliance is properly grounded.

Do Not have a fuse in the neutral or ground circuit.

IMPORTANT: Save Installation Instructions for electrical inspector's use.

A. A three-wire, single phase 240-volt, 60-Hz, AC-only electrical supply is required on a separate 20-ampere circuit, fused on both sides of the line. A time-delay fuse or circuit breaker is recommended.

The fuse must be sized per local codes in accordance with the electrical rating of the appliance specified on the model/serial rating plate located on the bottom of the cooktop or grill burner box.

B. COOKTOPS AND GRILLS MUST BE CONNECTED WITH COPPER WIRE ONLY.

C. Wire sizes and connections must conform to the requirements of the National Electrical Code, ANSI/NFPA 70 — latest edition**, and all local codes and ordinances. Wire sizes and connections must conform with the rating of the appliance.

D. Each appliance should be connected directly to the fused disconnect (or circuit breaker) through flexible, armored or non-metallic sheathed, copper cable. The flexible, armored cable extending from the appliance should be connected directly to the junction box.

E. Locate the junction box to allow as much slack as possible between the junction box and the appliance so that the appliances can be moved if servicing is ever necessary. Do Not cut the conduit.

F. A U.L.-listed, 1/2" conduit connector must be provided at the junction box.

G. A wiring diagram is located in the literature package or on the bottom of the cooktop and grill.

Copies of the standards listed above may be obtained from:

** National Fire Protection Association
Batterymarch Park
Quincy, Massachusetts 02269

Electrical connection

This appliance is manufactured with a frame-connected, green or bare, ground wire.

Connect the appliance cable to the junction box through the U.L.-listed conduit connector.

Complete electrical connection according to local codes and ordinances.

⚠ WARNING



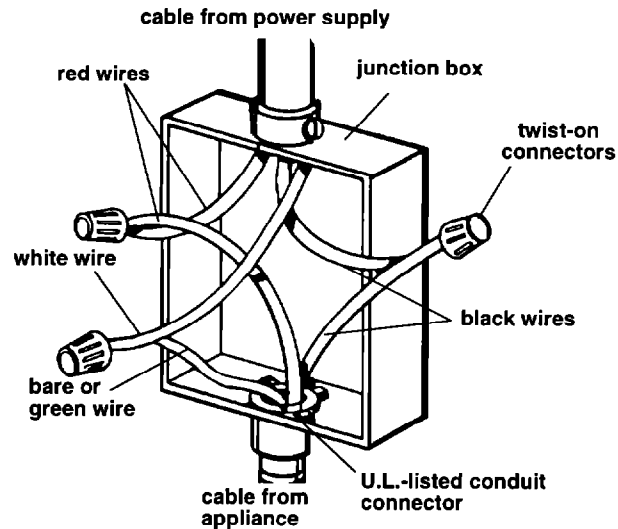
Electrical Shock Hazard

Turn power supply off before connecting wires.

Electrically ground cooktop.

Failure to follow these instructions could result in death, fire, or electrical shock.

A. Where local codes permit connecting the frame-ground conductor to the neutral (white) junction box wire:

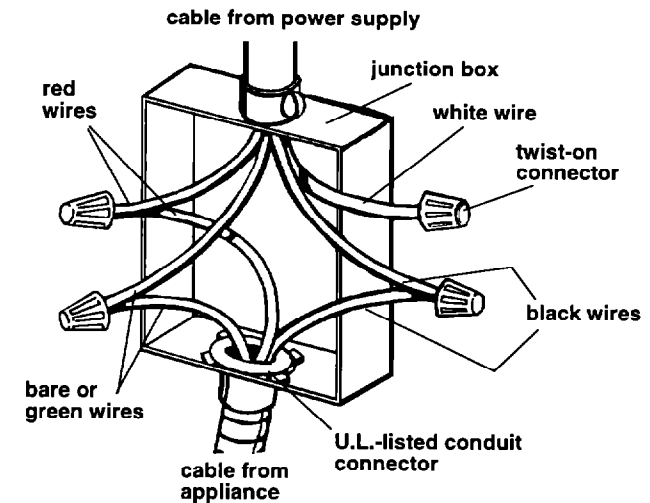


Grounded neutral

Figure 1

1. Disconnect the power supply.
2. Connect the flexible armored cable that extends from the cooktop to the junction box using a U.L.-listed conduit connector. Tighten screws on conduit connector.
3. Connect the green (or bare) appliance cable wire with the neutral wire in the junction box.
4. Connect the two black wires together; then connect the two red wires together. (See Figure 1.)

B. Where local codes Do Not permit connecting the frame-ground conductor to the neutral (white) junction box wire:



Ungrounded neutral

Figure 2

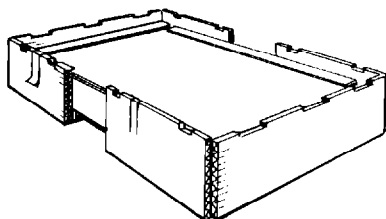
1. Disconnect the power supply.
2. Connect the flexible armored cable that extends from the cooktop to the junction box using a U.L.-listed conduit connector. Tighten screws on conduit connector.
3. Connect the two black wires together; then connect the two red wires together. (See Figure 2.)
4. Connect the green or bare ground wire from the appliance cable to a grounded wire in the junction box.
5. Put a twist-on connector on end of white wire.

Electric Cooktop and Grill (cont.)

Now start...

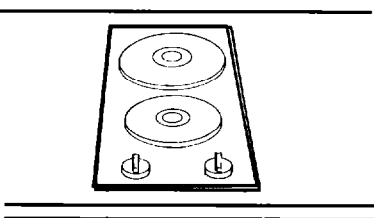
With cooktop and/or grill in kitchen.

If installing more than one appliance in the same cutout, work with one appliance at a time. Start with the appliance that will be to the left side of the cutout. Make all adjustments; then follow steps to add adjacent appliances.

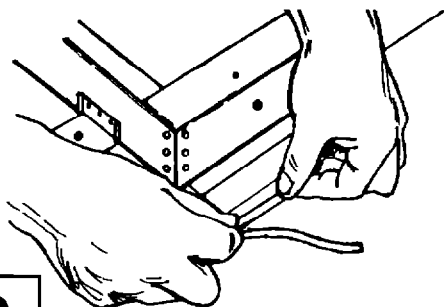


- 1.** Remove the shipping materials and tape from the cooktop or grill. Remove the hardware package from the side of the carton.

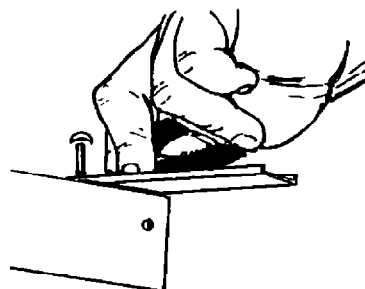
To avoid scratching countertop, lift entire cooktop or grill up from cutout when repositioning cooktop or grill in countertop opening.



- 2.** Insert the cooktop or grill into countertop opening. Check that the front of the cooktop or grill is parallel to the front edge of the countertop. Check that all required clearances are met. Use a pencil to mark a line along the rear of the cooktop or grill on the countertop.



- 3.** Remove the cooktop or grill from the cutout and place it upside-down on a protected surface. Remove the paper backing from a small section of the foam sealing strip. Place the strip 1/8" from cooktop edge on the underside of the glass. Continue until foam strip completely outlines the edge of the cooktop or grill. If you are installing more than one appliance in the same cutout, you do not need to place foam strip on the side that will be adjacent to another appliance. Do Not use additional sealant around outer edge of cooktop(s) or grill(s).

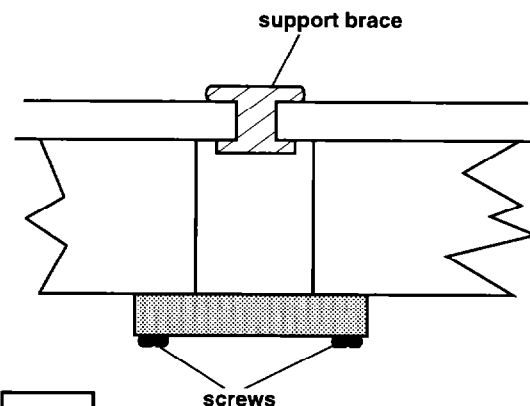


- 4.** Attach mounting brackets to each side of the burner box with the 5/16" screws. Do Not tighten the screws. Turn the mounting brackets so each is under the burner box. If you are installing additional appliances in the same cutout, attach one mounting bracket to the right side of each additional appliance.

- 5.** Insert the cooktop or grill into the cutout and align it with the pencil line. Check that cooktop or grill is parallel to the front edge of the countertop. Lift the entire cooktop or grill to make adjustments so the foam sealing strip can seal properly. **If you are installing only one appliance in cutout, go to Step 7.**

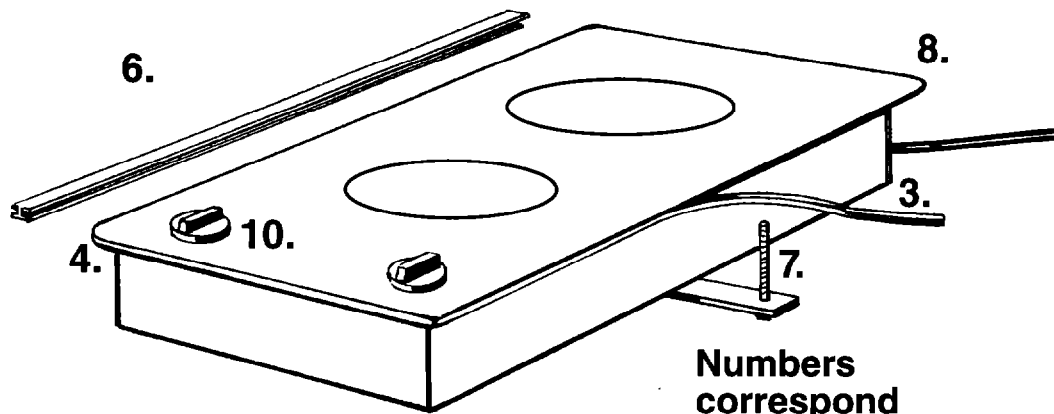
If you are installing additional electric cooktops or grills in the same cutout: Complete Steps 1, 3, 4, 5, and 6 for each additional appliance.

If you are installing a gas cooktop or a downdraft vent as an additional appliance, read and follow specific installation instructions for those products.



- 6.** Attach support brace to side of the cooktop or grill that will be adjacent to another appliance. Insert additional cooktop or grill into the cutout and align with the pencil line used for first cooktop or grill. Check that cooktop or grill is parallel to the front edge of the countertop. Lift the entire cooktop or grill to make adjustments so the foam sealing strip can seal properly.

Repeat for additional cooktops or grills.



Numbers correspond to steps.

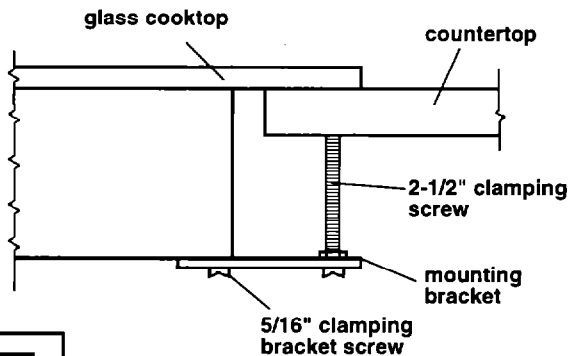
8. Make the electrical connection. (See "Electrical requirements" and "Electrical connection" sections, Pages 6 and 7, for details.)

9. Turn on the power supply.

10. Push in and turn each control knob to the "HI" position. Check the operation of the cooktop and/or grill heating elements and indicator lights.

To get the most efficient use from your new cooktop and/or grill, read your KitchenAid Use and Care Guide. Keep Installation Instructions and Guide close by for easy reference.

Do Not overtighten screws.



7. **One cooktop or grill in cutout:** Rotate the mounting brackets away from the burner box. Tighten the mounting brackets to the burner box. Insert the 2-1/2" clamping screws into the mounting brackets. Use a screwdriver to tighten the screws against the underside of the countertop. Remove the pencil outline from countertop.

Multiple cooktops and/or grill combinations: Rotate the left mounting bracket away from the burner box of the first appliance. Tighten the mounting bracket to the burner box. Insert the 2-1/2" clamping screw into the mounting bracket. Use a screwdriver to tighten the screw against the underside of the countertop.

Rotate right mounting bracket away from the burner box. Attach other end of mounting bracket to adjacent appliance with a 5/16" screw. Use a screwdriver to tighten mounting bracket to both appliances. Repeat for each additional appliance.

Rotate mounting bracket of the appliance that will be adjacent to the right side of the cutout away from the burner box. Tighten the mounting bracket to the burner box. Insert the 2-1/2" clamping screw into the mounting bracket. Use a screwdriver to tighten the screw against the underside of the countertop.

Remove the pencil outline from countertop.

Downdraft Vent

Electrical requirements

WARNING: To reduce the risk of fire, electric shock and injury to persons, the downdraft vent system must be installed with either the KitchenAid Model KPED890T exterior mounted motor unit or the KitchenAid Model KPID850T interior mounted motor unit. These units are marked to indicate their suitability with the downdraft vent system. Other motor units cannot be substituted.

IMPORTANT: Save Installation Instructions for electrical inspector's use.

⚠ WARNING



Electrical Shock Hazard

Electrically ground cooktop.
Failure to do so can result in death or electrical shock.

If codes permit and a separate ground wire is used, it is recommended that a qualified electrician determine that the ground path is adequate.

Do Not ground to a gas pipe.

Check with a qualified electrician if you are not sure the appliance is properly grounded.

Do Not have a fuse in the neutral or ground circuit.

A. A 120-volt, 60-Hz, AC only electrical supply is required on a separate 15-ampere circuit, fused on both sides of the line. A time-delay fuse or circuit breaker is recommended. The fuse must be sized per local codes in accordance with the electrical rating of the appliance specified on the model/serial rating plate located on the right side, above the wiring box on the downdraft burner box.

B. THE DOWNDRAFT VENT MUST BE CONNECTED WITH COPPER WIRE ONLY.

C. Wire sizes and connections must conform to the requirements of the National Electrical Code, ANSI/NFPA 70 — latest edition**, and all local codes and ordinances. Wire sizes and connections must conform with the rating of the appliance.

D. Each appliance should be connected directly to the fused disconnect (or circuit breaker) through flexible, armored or non-metallic sheathed, copper cable (with ground wire). Allow some slack in the cable so the downdraft vent can be moved if servicing is ever necessary.

E. A U.L.-listed, 1/2" conduit connector must be provided at the junction box.

F. A wiring diagram is located in the literature package or on the inside cover of the downdraft vent wiring box.

Electrical connection

1. Cut a 1-1/2" hole in floor or side of cabinet for power supply wire. The hole cut for electrical wiring through a wood cabinet should be sanded until smooth. A grommet (Part No. 302797) must cover the hole cut for electrical wiring through a metal cabinet.
2. Run flexible armored or nonmetallic sheathed copper cable (with ground wire) from fused disconnect circuit breaker or junction box through the cabinet hole to downdraft vent location. A U.L.-listed conduit connector must be provided at each end of the power supply cable (at the appliance and at the junction box).
3. See installation steps to connect power supply to downdraft vent.

Copies of the standards listed above may be obtained from:

**National Fire Protection Association
Batterymarch Park
Quincy, Massachusetts 02269

Venting requirements

Ductwork needed for installation is not supplied.

Wall cap is provided with interior mounted motor.

⚠ WARNING



Fire Hazard

Venting system **MUST** terminate to the outside.

Do Not terminate the ductwork in an attic or other enclosed space.

Do Not use 4-inch laundry-type wall caps.

Do Not use plastic-type ductwork.

Use only metal ductwork.

Failure to follow these instructions can result in a fire.

To reduce risk of fire and to properly exhaust air, be sure to duct air outside.

Do Not vent exhaust air into spaces within walls or ceilings or into attics, crawl spaces or garages.

Determine which venting method to use. Ductwork can extend either through the wall or roof.

The length of the ductwork and number of elbows should be kept to a minimum to provide efficient performance. The size of the ductwork should be uniform. Do Not install two elbows together. Use duct tape to seal all joints in the duct system. Use caulking to seal exterior wall or floor opening around cap.

Flexible metal ductwork is Not recommended.

If it is used, calculate each foot of flexible metal ductwork as two feet of straight metal ductwork. Flexible metal elbows count twice as much as standard elbows. Use metal ductwork only.

Figures 3-7 show common venting methods and types of materials needed. If the ductwork cutout location falls over a joist or stud, a supporting frame must be constructed. Do not cut joist or stud.

NOTE: Make sure there is proper clearance within the wall or floor for exhaust duct before making cutouts.

Interior mounted vent motor installation methods

To install ductwork under a concrete slab, see Insert Sheet.

Island location

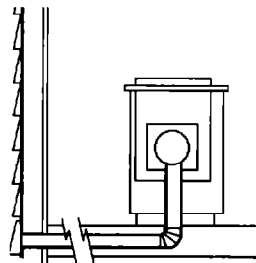


Figure 3

Interior wall location

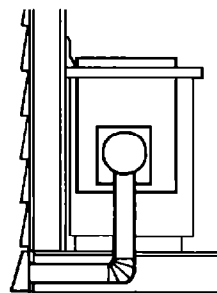
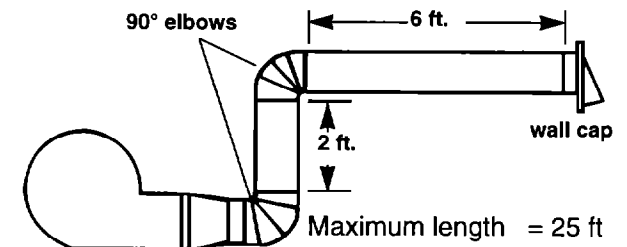


Figure 4

Recommended duct length for interior mounted blower

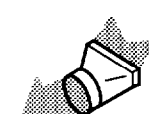
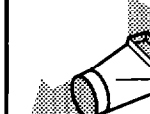


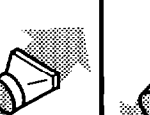

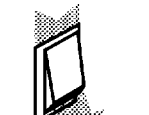
Use 6" duct with maximum length of 25 feet for duct system. For best performance, use no more than three 90° elbows. To calculate the length of system you need, add the equivalent feet for each duct piece used in the system. See the following example:

6" duct system



2 - 90 elbows	= 10 ft.
1 - wall cap	= 0 ft.
8 feet straight	= 8 ft.
Length of 6" system	= 18 ft.

Recommended standard fittings

 3-1/4" x 10" to 6" = 4.5 ft.	 3-1/4" x 10" to 6" 90° elbow = 5 ft.	 6" to 3-1/4" x 10" 90° elbow = 9 ft.	
 90° elbow = 5 ft.	 6" to 3-1/4" x 10" = 1 ft.	 45° elbow = 2.5 ft.	 6" wall cap min. 28 in.² open = 0 ft.

Downdraft Vent (cont.)

Exterior mounted vent motor installation methods

To install ductwork under a concrete slab, see Insert Sheet.

Do not install exterior vent motor in a window well.

Island location

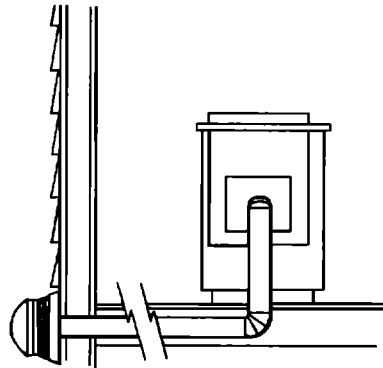


Figure 5

Interior wall location

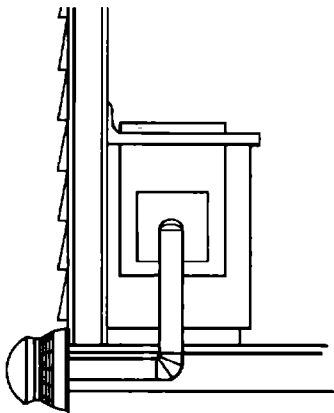


Figure 6

Roof venting

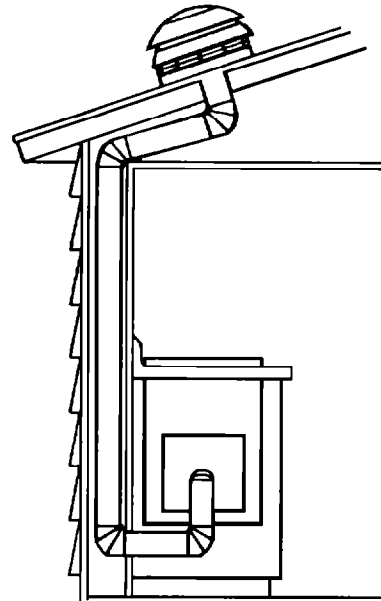


Figure 7

One exterior power vent motor can be used to operate two downdraft vent systems. The motor can be operated by either downdraft vent control. A T-vent Adapter Kit, (Black 4175456, White 4319251, Almond 4319252) must be used and is available from your dealer or authorized parts distributor. The maximum length of the ductwork including elbows for a T-vented system is 45 feet. The T-vent is the equivalent of 10 feet. Instructions for installing a T-vented system are included with the kit.

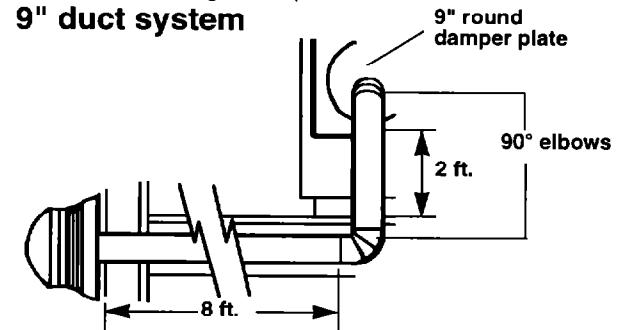
Recommended duct length for exterior mounted blower

Use 9" duct with a maximum length of 55 feet for duct system. For best performance use no more than five 90° elbows.

To calculate the length of the system you need, add the equivalent feet for each duct piece used in the system.

See the following example:


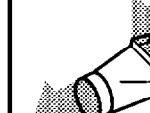




9" duct system



Maximum length = 55 feet

2 - 90 elbows	= 10 ft.
1 - wall cap	= 0 ft.
10 feet straight	= 10 ft.
Length of 9" system	= 20 ft.

Recommended standard fittings

 3-1/4" x 14" to 9" = 4.5 ft.	 3-1/4" x 14" to 9" 90° elbow = 5 ft.	 9" to 3-1/4" x 14" 90° elbow = 9 ft.
 90° elbow = 5 ft.	 9" to 3-1/4" x 14" = 1 ft.	 45° elbow = 2.5 ft.

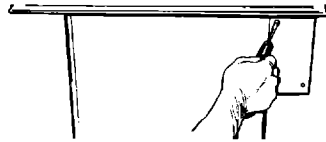
Now start

Interior located blower

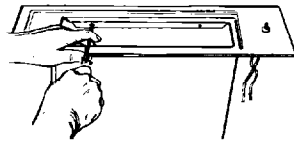
1. Place cardboard or other form of protection on top of a flat surface where you can easily assemble the downdraft vent system. Remove downdraft blower box and motor section from cartons. Remove any shipping materials, tape and protective film from downdraft blower box and motor. Remove parts package from inside blower box opening. Remove capacitor from motor.

2. Determine which direction (right or left) the blower box with motor attached will need to be installed.

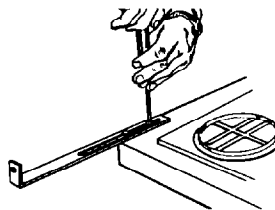
3. Remove the four screws (two on each side) that attach the wiring box to the blower box. Place screws and wiring box in a safe place.



4. Use four screws to attach vent cover to blower box so that the control end will be at the front of the cutout.



5. Use a Phillips screwdriver to remove the screws that attach the legs to the blower box. Place the slotted area of legs over the area where the screw openings are located. Replace the screws but Do Not tighten screws.



⚠ WARNING

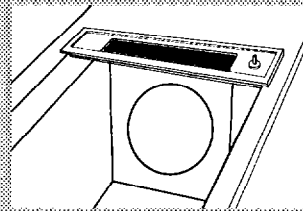
Excessive Weight Hazard

Use two or more people to move and install downdraft vent.

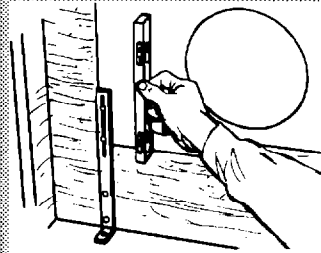
Failure to follow this instruction can result in back or other injury.

CRITICAL STEPS

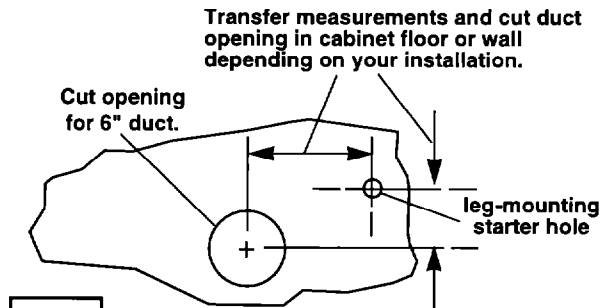
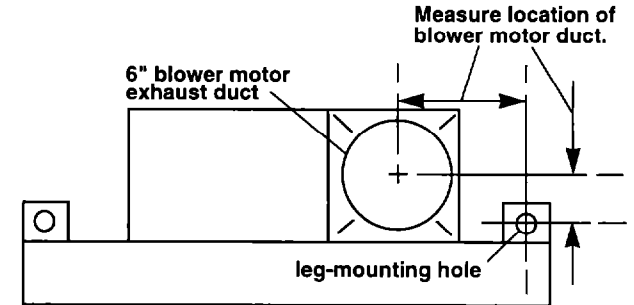
6. Insert downdraft blower box into countertop cutout. **IMPORTANT:** Check that downdraft vent is parallel to the side of the cutout and front edge of countertop. The front edge of the downdraft vent should be in line with the front edge of adjacent cooktops or grills. Use a pencil to mark light lines on the countertop along the edges of the vent cover.



7. Lower legs to floor of cabinet. Place a level against the face of blower box. Adjust position of legs until blower housing is vertical. Use a pencil to mark location of mounting holes where legs will be attached to cabinet floor. Remove blower box from cutout. Drill starter holes at each mounting screw location.



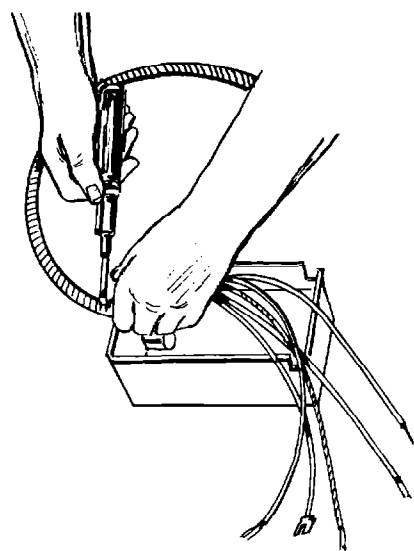
8. Determine which direction (right, left or down) the ductwork will run from the blower duct when installed in the cabinet. Place the motor on the blower box so that the duct opening is in the position you need to complete the ductwork. Do Not tighten screws.



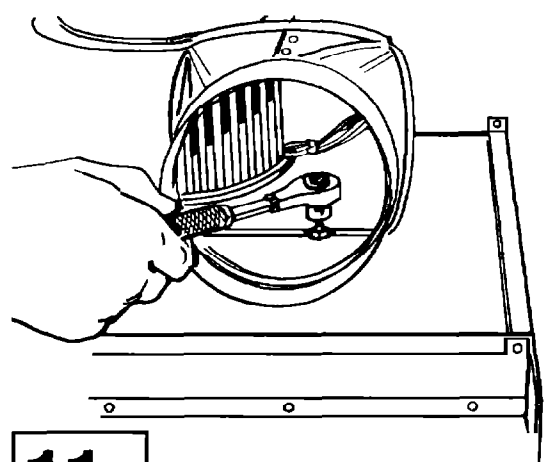
9. Determine center of blower motor duct in relation to one leg-mounting hole. Use this measurement to locate center of blower motor duct cutout. Cut 6-inch duct opening.

Downdraft Vent (cont.)

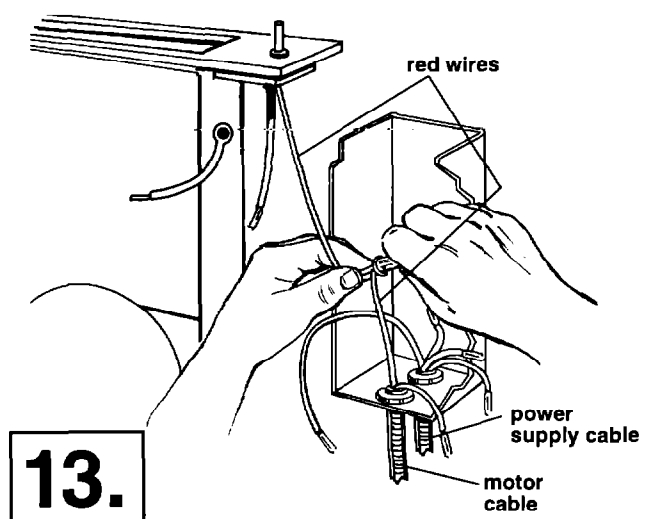
10. If downdraft vent is installed next to another appliance in the same cutout, go to Step 11.
 If downdraft vent will be installed in a separate cutout (no other appliances in same cutout), remove the motor from the blower box. Carefully insert the blower box into the countertop cutout. Lift motor up and place on blower box. Connect the motor and power supply wiring as described in Steps 11 - 16 and 18 - 21.



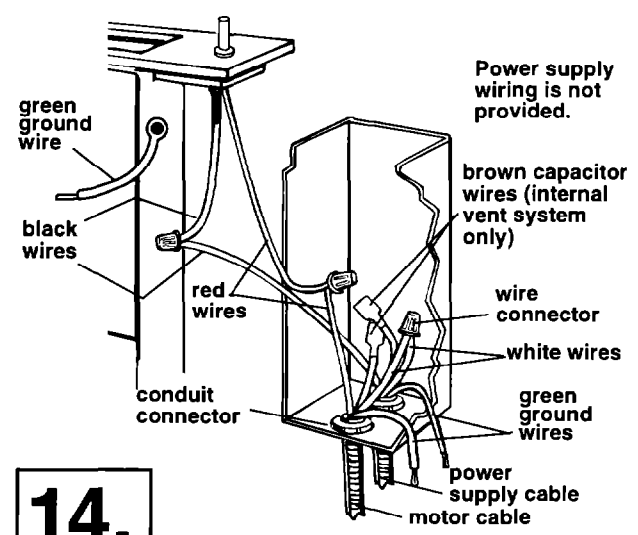
12. Thread wires from the motor conduit through conduit connector and through the opening of the wiring box. Tighten the conduit connector screws.



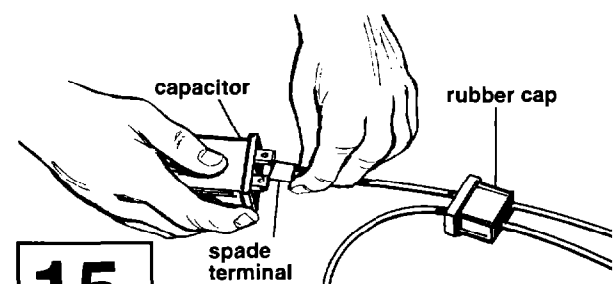
11. Use all four nuts to attach the motor to the blower box. Use a 10 mm or 3/8" ratchet to tighten the nut located inside the duct opening. Be sure to tighten this nut or vibration may occur, causing noise during operation.



13. Connect the red wire from the motor to the red wire from the control with a twist-on wire connector.



14. **Disconnect power supply.** Thread the power supply cable through the conduit connector. Tighten the screws on the conduit connector. Connect the two, white wires together with a twist-on wire connector. Connect the black wire from the power supply cable to the black wire of the control with a twist-on wire connector. Connect the **three**, green ground wires together with a twist-on wire connector.

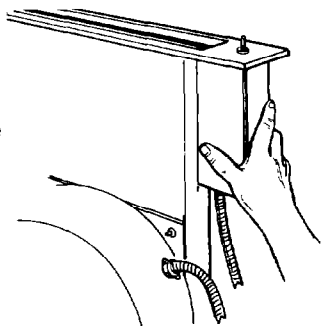


15. Remove the rubber cap from the capacitor. Thread the two, brown wires with spade terminals through the rubber cap of the capacitor. Attach one wire to one of the inside capacitor terminals. Then attach the

other brown wire to the other capacitor terminal. Replace the rubber cap over the top of the capacitor. Put the capacitor into the mounting bracket on the lower section of the wiring box.

16. Attach the wiring box to the front of the blower box under the control using the four screws removed in Step 3.

If the vent is installed in the cutout, it may have to be lifted out of the countertop opening a few inches to attach wiring box.



⚠ WARNING

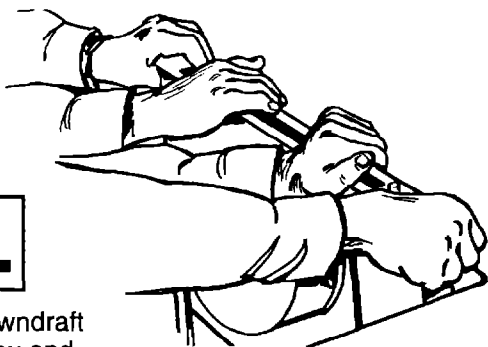
Excessive Weight Hazard

Use two or more people to move and install downdraft vent.

Failure to follow this instruction can result in back or other injury.

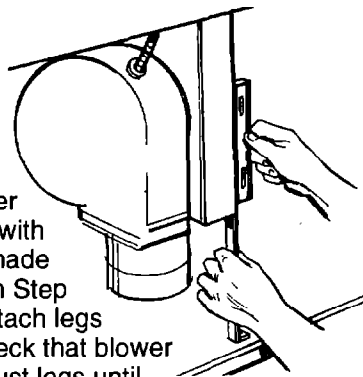
17.

Insert downdraft blower box and motor into countertop cutout. Two people are recommended to support the weight of the downdraft vent during lifting.



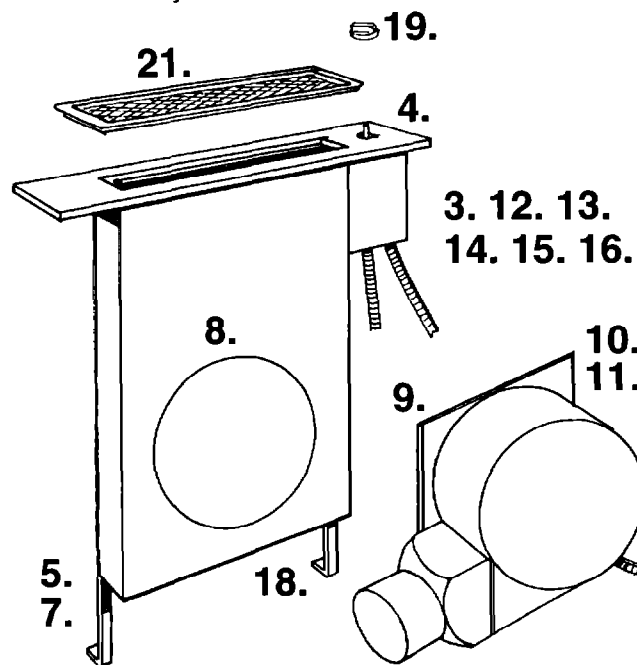
18.

Position the downdraft vent cover so that it is aligned with light pencil marks made on the countertop in Step 6. Use screws to attach legs to cabinet floor. Check that blower box is vertical. (Adjust legs until blower box is vertical.) Tighten screws that attach the legs to the blower box.



19.

Turn power supply on. Place the control knob securely onto the stem. Check the operation of the blower and speed control. If one does not operate, disconnect power source and check that wire connections have been made correctly.



20.

Connect 6" ductwork to blower duct. Position ductwork to avoid wall studs and floor joists. Complete all ductwork. Use duct tape to seal all joints. Ductwork must end with a wall or roof cap.

21.

Insert grease filter and place grille in position. **If downdraft vent is installed between two appliances,** attach a support brace to each side of the downdraft vent cover.

Repeat Steps 1-21 for each downdraft vent.

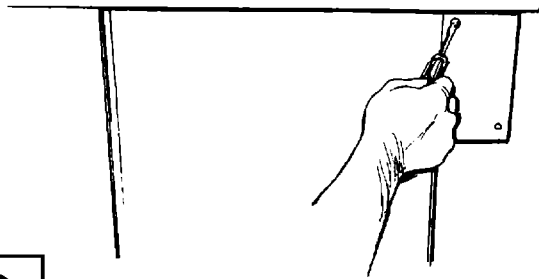
Numbers correspond to steps.

Downdraft Vent (cont.)

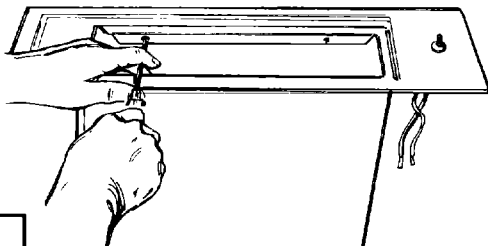
Exterior located blower

Exterior roof-mounted system requires Roof Mount Kit, Part No. 4173296.

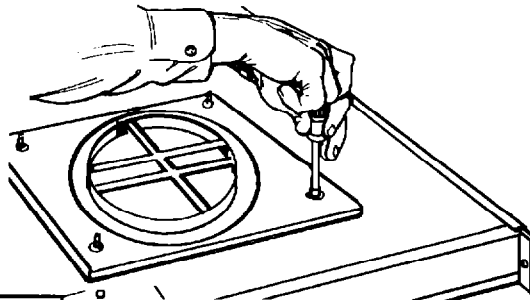
1. Place cardboard or other form of protection on top of a flat surface where you can easily assemble the downdraft vent system. Remove downdraft blower box and motor sections from cartons. Remove any shipping materials, tape and protective film from downdraft blower box and motor. Remove parts package from inside blower box opening.



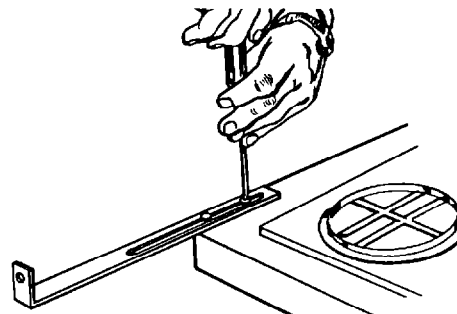
2. Remove the four screws (two on each side) that attach the wiring box to the blower box. Place screws and wiring box in a safe place.



3. Use four screws to attach vent cover to blower box so that the control end will be at the front of the cutout.



4. Place the adapter plate, which includes a back-draft damper, and 9" round take-off on the blower box. Use all four nuts to attach the adapter to the blower box.



5. Use a Phillips screwdriver to remove the screws that attach the legs to the blower box. Place the slotted area of legs over the area where the screw openings are located. Replace the screws but Do Not tighten screws.

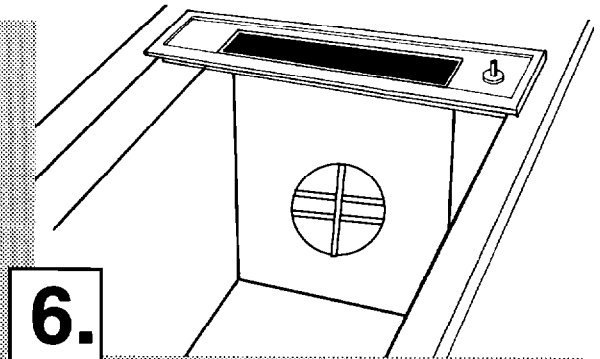
⚠ WARNING

Excessive Weight Hazard

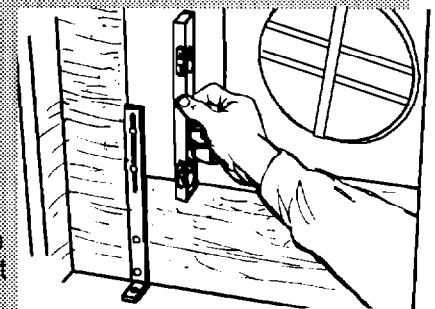
Use two or more people to move and install downdraft vent.

Failure to follow this instruction can result in back or other injury.

CRITICAL STEPS



6. Insert downdraft blower box into countertop cutout. **IMPORTANT:** Check that downdraft vent is parallel to the side of the cutout and front edge of countertop. The front edge of the downdraft vent should be in line with the front edge of adjacent cooktops or grills. Use a pencil to mark light lines on the countertop along the edges of the vent cover.

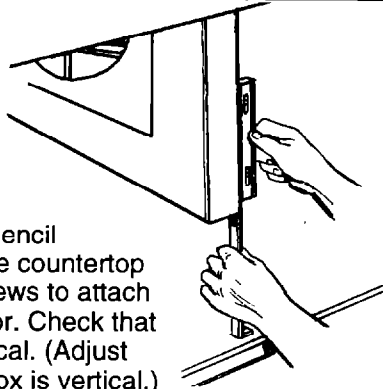


7. Lower legs to floor of cabinet. Place a level against the face of blower box. Adjust position of legs until blower housing is vertical. Use a pencil to mark location of mounting holes where legs will be attached to cabinet floor. Remove blower box from cutout. Drill starter hole at each mounting screw location.

8. Insert downdraft vent into countertop cutout.

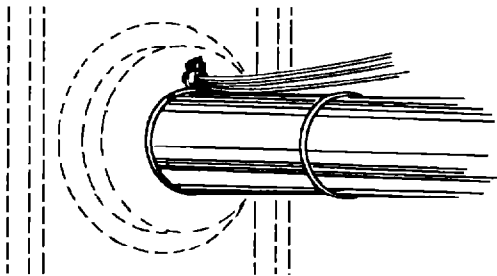
9.

Position the downdraft vent cover so that it is aligned with light pencil marks made on the countertop in Step 6. Use screws to attach legs to cabinet floor. Check that blower box is vertical. (Adjust legs until blower box is vertical.) Tighten screws that attach the legs to the blower box.



10.

Determine the location where the exterior blower assembly will be installed. Cut a 10" diameter hole in the wall or roof.



Wiring between motor and blower box is not provided.

11.

Install exterior blower with the supply connector at the top.

Wall Installations

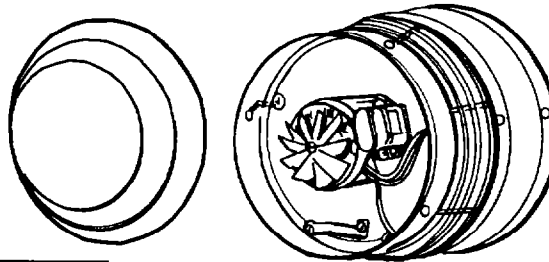
- Use caulking compound between mounting flange and wall.

Roof Installations

- Follow standard roofing procedures.
- The flashing sheet should be entered over the opening of the roof.
- The lower edge of the flashing should lie on top of the shingles and the upper edge should be underneath the shingles.
- Seal the assembly between the roof, fan and flashing with the roofing mastic to prevent leaks.

12.

Connect 9" ductwork to blower duct. Position ductwork to avoid wall studs and floor joists. Complete all ductwork. Use duct tape to seal all joints. Vertical ductwork for wall-mounted installations should pitch down slightly toward the vent to allow moisture to run outside.



13.

Remove the dome top. Loosen conduit connector screws. Thread the motor cable through the conduit connector. Tighten the screws on the conduit connector. Connect the white and black wires of the motor wiring cable to the white and black leads of the motor with twist-on wire connectors. Connect the green, ground wire of the motor wiring cable to the ground connection screw. Place wires under clip to prevent hitting the motor cooling blade. For wall-mounted installations, replace the dome top to cover the motor and connections. Roof installations require a roof cap to be used in place of the dome.

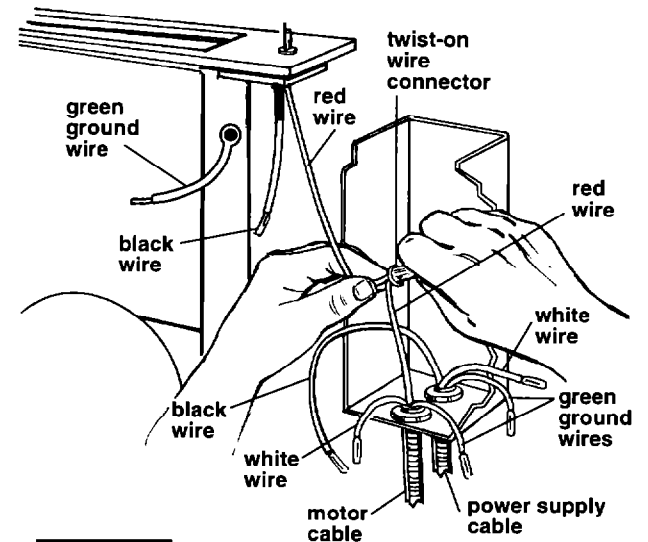
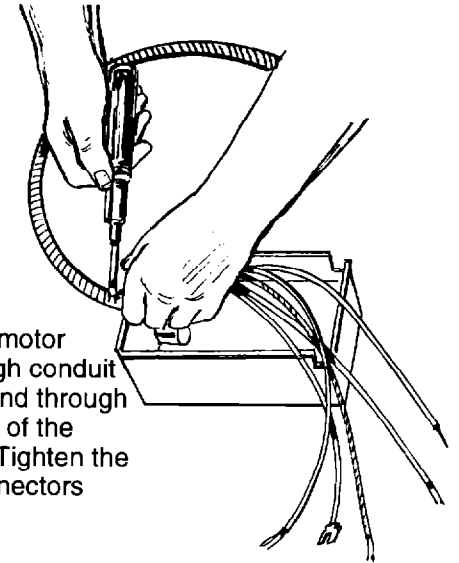
14.

Run motor wiring through the duct access area to the wiring box on the blower box.

If two downdraft vents will be operated from one external vent motor, only one switch can be wired to operate both downdraft vents. Do Not wire both switches. Determine which switch will be most convenient to use.

15.

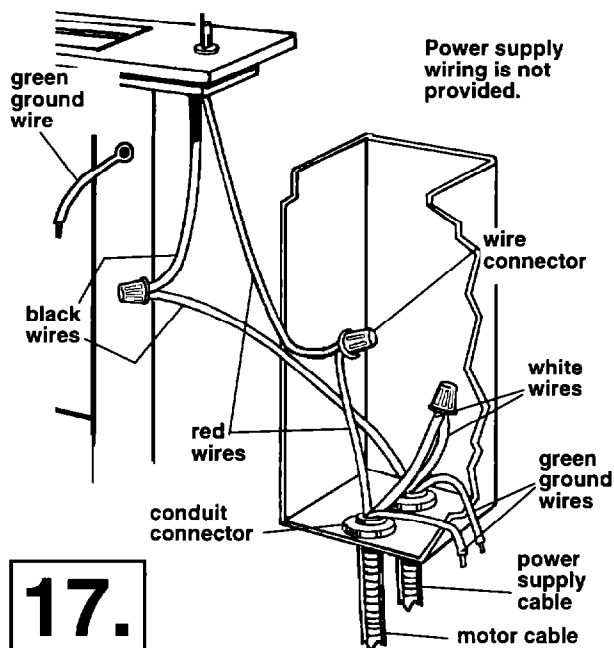
Thread the motor cable through conduit connector and through the opening of the wiring box. Tighten the conduit connectors screws.



16.

Connect the red wire from the motor cable to the red wire from the control with a twist-on wire connector.

Downdraft Vent (cont.)



17.

Thread the power supply cable through the conduit connector. Tighten the screws on the conduit connector.

Disconnect power supply.

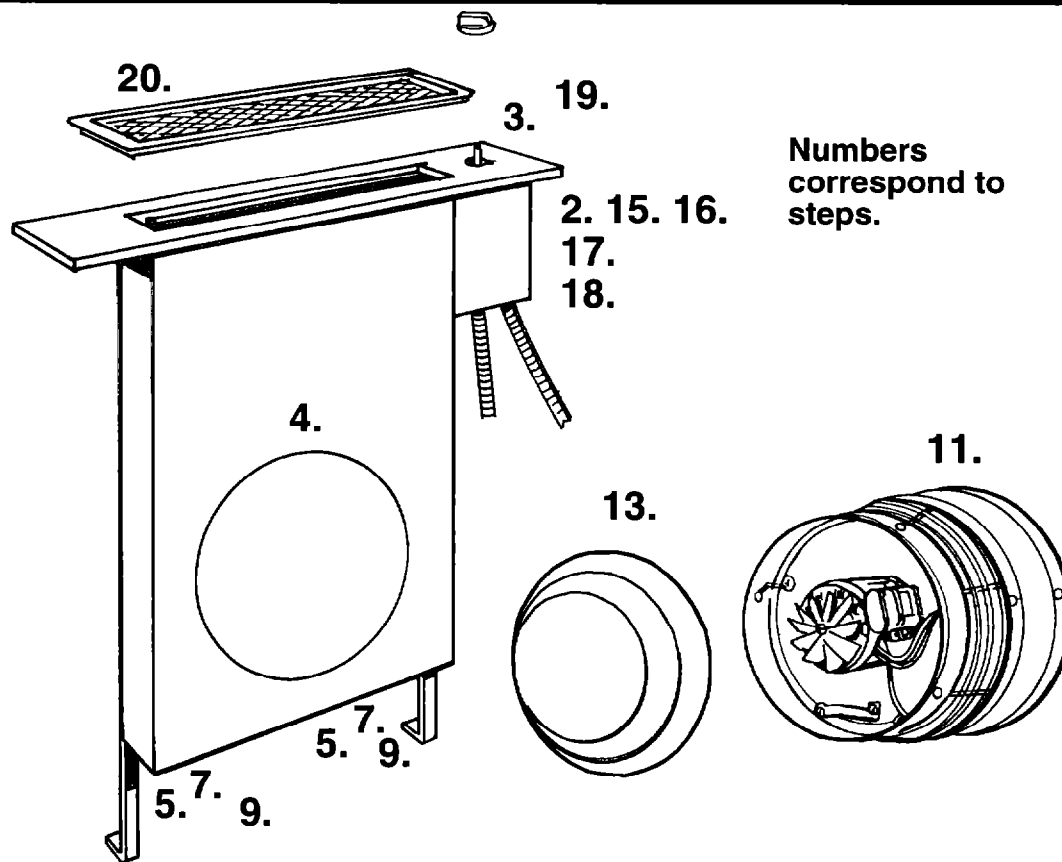
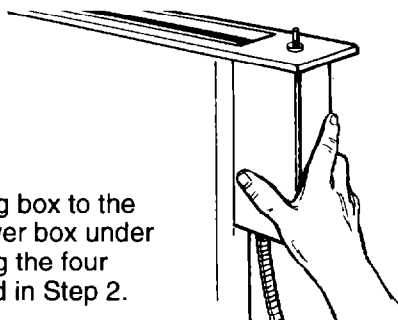
Connect the two white wires together with twist-on wire connector.

Connect the black wire from the power supply cable to the black wire of the control with a twist-on wire connector.

Connect the **three** green ground wires together with a twist-on wire connector.

18.

Attach the wiring box to the front of the blower box under the control using the four screws removed in Step 2.



Numbers correspond to steps.

20.

Insert grease filter and place grille in position.

If downdraft vent is installed between two appliances, attach a support brace to each side of the downdraft vent cover.

19.

Turn power supply on. Place control knob securely over stem. Check the operation of the blower and speed control. If one does not operate, disconnect power source and check that wire connections have been made correctly.

To get the most efficient use from your new downdraft vent, read the Use and Care information section on the back cover. Keep Installation Instructions and Use and Care Guide close by for easy reference.

Sealed Gas Cooktop

Gas supply requirements

⚠ WARNING



Explosion Hazard

Use a new AGA approved gas supply line.
Install a shut-off valve.

Securely tighten all gas connections.

If connected to LP, have a qualified person make sure gas pressure does not exceed water column rating specified in LP conversion kit. Examples of a qualified person include licensed heating personnel, authorized gas company personnel, and authorized service personnel.

Failure to do so can result in death, explosion, or fire.

Observe all governing codes and ordinances.

Important: Cooktop must be connected to a regulated gas supply.

A. This installation must conform with local codes and ordinances. In the absence of local codes, installation must conform with American National Standard, National Fuel Gas Code ANSI Z223.1 — latest edition.*

B. Input ratings shown on the model/serial rating plate are for elevations up to 2,000 feet. For elevations above 2,000 feet ratings should be reduced at a rate of 4% for each 1,000 feet above sea level.

Copies of the standards listed above may be obtained from:

* American Gas Association
1515 Wilson Boulevard
Arlington, Virginia 22209

C. This cooktop is manufactured for use with NATURAL gas and it is design-certified by A.G.A.

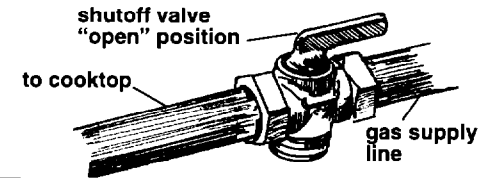
L.P. gas conversion

This cooktop can be converted for use with L.P. gas. However, no attempt shall be made to convert the appliance from the gas specified on the rating plate for use with a different gas without consulting the serving gas supplier. Conversion must be done by a qualified service technician. Conversion Kit No. 4173627 is available from your KitchenAid dealer or authorized parts distributor.

D. Provide a gas supply line of 3/4" rigid pipe to the cooktop location. A smaller size pipe on long runs may result in insufficient gas supply. Pipe-joint compounds made for use with NATURAL and L.P. gas must be used.

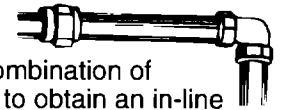


E. If local codes and ordinances permit, A.G.A.-design-certified, new flexible metal tubing is recommended for connecting cooktop to the gas supply line. Do Not kink or damage the flexible tubing when moving the cooktop. A 1/2" male pipe thread is needed for connection to pressure regulator female pipe threads.



F. The supply line shall be equipped with an approved shutoff valve. This valve should be located in the same room as the cooktop and should be in a location that allows ease of opening and closing. Do Not block access to shutoff valve. The valve is for turning on or shutting off gas to the appliance.

G. If rigid pipe is used as a gas supply line, a combination of pipe fittings must be used to obtain an in-line connection to the cooktop. All strains must be removed from the supply and fuel lines so cooktop will be level and in line.



H. The regulator must be checked at a minimum 1" water column above the set pressure. The inlet pressure to the regulator should be as follows for operation and checking the regulator setting:

NATURAL GAS:

Set pressure 4 inches
Maximum pressure 14 inches

I. Line Pressure Testing:

Testing above 1/2 psi (gauge)

The cooktop and its individual shutoff valve must be disconnected from the gas supply piping system during any pressure testing of that pressures greater than 1/2 psig (3.5 kPa).

Testing at 1/2 psi (gauge) or lower

The cooktop must be isolated from the gas supply piping system by closing its individual manual shutoff valve during any pressure testing of the gas supply piping system at test pressures equal to or less than 1/2 psig (3.5 kPa).

Sealed Gas Cooktop (cont.)

Electrical requirements

⚠ WARNING



Electrical Shock Hazard

Plug into a grounded 3-prong outlet.

Do not remove ground prong.

Do not use an adapter.

Failure to follow these instructions can result in death, fire, or electrical shock.

If codes permit and a separate ground wire is used, it is recommended that a qualified electrician determine that the ground path is adequate.

Do Not ground to a gas pipe.

Check with a qualified electrician if you are not sure the appliance is properly grounded.

Do Not have a fuse in the neutral or ground circuit.

See back page for wiring diagram.

A 120-volt, 60-Hz, AC only, 15-ampere, fused electrical supply is required. Time-delay fuse or circuit breaker is recommended. It is recommended that a separate circuit serving only this appliance be provided.

Electronic ignition systems operate within wide voltage limits, but proper grounding and polarity is necessary. In addition to checking that the outlet provides 120-volt power and is correctly grounded, the outlet must be checked by a qualified electrician to see if it is wired with correct polarity.

A wiring diagram is provided on the bottom of the cooktop box and in the literature package.

Recommended ground method

For your personal safety, this appliance must be grounded. This appliance is equipped with a power supply cord having a 3-prong ground plug. To minimize possible shock hazard, the cord must be plugged into a mating 3-prong ground-type outlet, grounded in accordance with National Electrical Code, ANSI/NFPA 70 — latest edition and all local codes and ordinances. See Figure 8. If a mating outlet is not available, it is the personal responsibility and obligation of the customer to have a properly grounded 3-prong outlet installed by a qualified electrician.

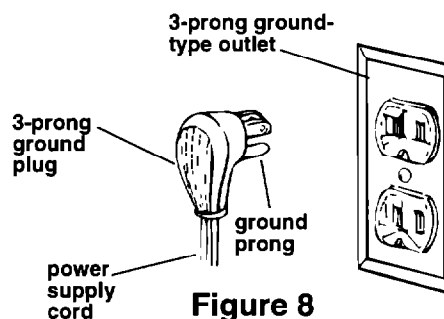
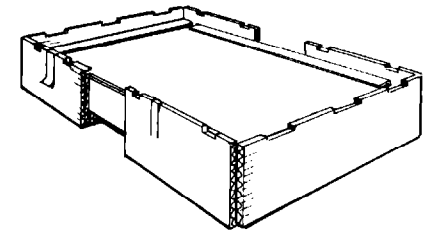


Figure 8

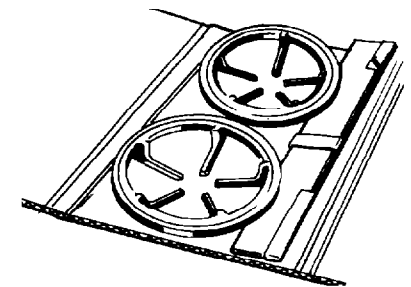
Now start...

With cooktop and/or grill in kitchen.

If installing more than one appliance in the same cutout, work with one appliance at a time. Start with the appliance that will be to the left side of the cutout. Make all adjustments; then follow steps to add adjacent appliances.



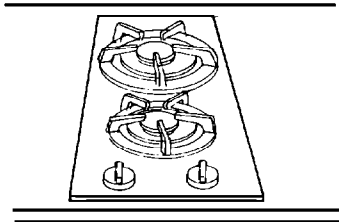
1. Remove the shipping materials and tape from the cooktop. Remove the hardware package from the side of the carton.



2. Remove cooktop burner grates and caps package from shipping box. Remove pressure regulator and hardware package from side of carton.

To avoid scratching countertop, lift entire cooktop up from cutout when repositioning cooktop into countertop opening.

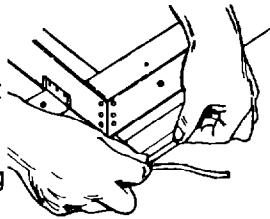
3.



Insert the cooktop into the countertop opening. Check that the front of the cooktop is parallel to the front edge of the countertop. Check that all required clearances are met. Use a pencil to mark a line along the rear of the cooktop on the countertop.

4.

Remove the cooktop from the cutout and place it upside down on a protected surface. Remove the paper backing from a small section of the foam sealing strip. Place the strip 1/8" from cooktop edge on the underside of the glass. Continue until foam strip completely outlines the edge of the cooktop.

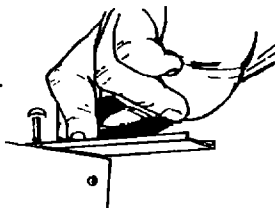


If you are installing more than one appliance in the same cutout, you do not need to place a foam strip on the side that will be adjacent to another appliance.

Do Not use additional sealant around outer edge of cooktop(s).

5.

Attach mounting brackets to each side of the burner box with the 5/16" screws. Do Not tighten the screws. Turn the mounting brackets so each is under the burner box.



If you are installing additional appliances in the same cutout, attach one mounting bracket to the right side of each additional appliance.

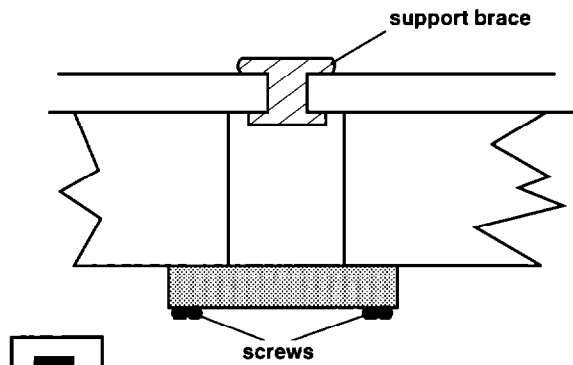
6.

Insert the cooktop into the cutout and align it with the pencil line. Check that cooktop is parallel to the front edge of the countertop. Lift the entire cooktop to make adjustments so the foam sealing strip can seal properly.

If you are installing only one appliance in cutout, go to Step 8.

If you are installing additional gas cooktops in the same cutout, complete Steps 1, 2, 4, 5, 6 and 7 for each additional appliance.

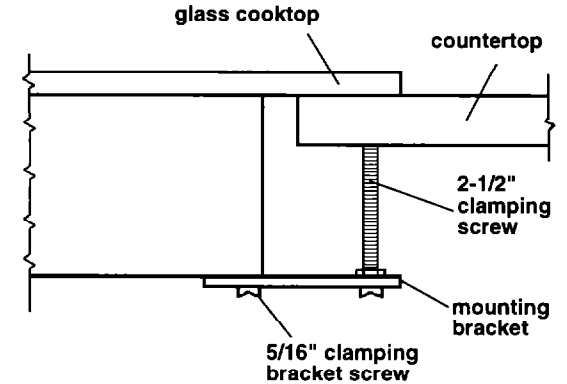
If you are installing an electric cooktop or grill or a downdraft vent as an additional appliance, read and follow specific installation instructions for those products.



7.

Attach support brace to side of the cooktop that will be adjacent to another appliance. Insert additional cooktop into the cutout and align with the pencil line used for first cooktop. Check that cooktop is parallel to the front edge of the countertop. Lift the entire cooktop to make adjustments so the foam sealing strip can seal properly. Repeat for additional cooktops or grills.

Do Not overtighten screws.



8.

One cooktop in cutout: Rotate the mounting brackets away from the burner box. Do Not overtighten screws. Tighten the mounting brackets to the burner box. Insert the 2-1/2" clamping screws into the mounting brackets. Use a screwdriver to tighten the screws against the underside of the countertop. Remove the pencil outline from countertop.

Sealed Gas Cooktop (cont.)

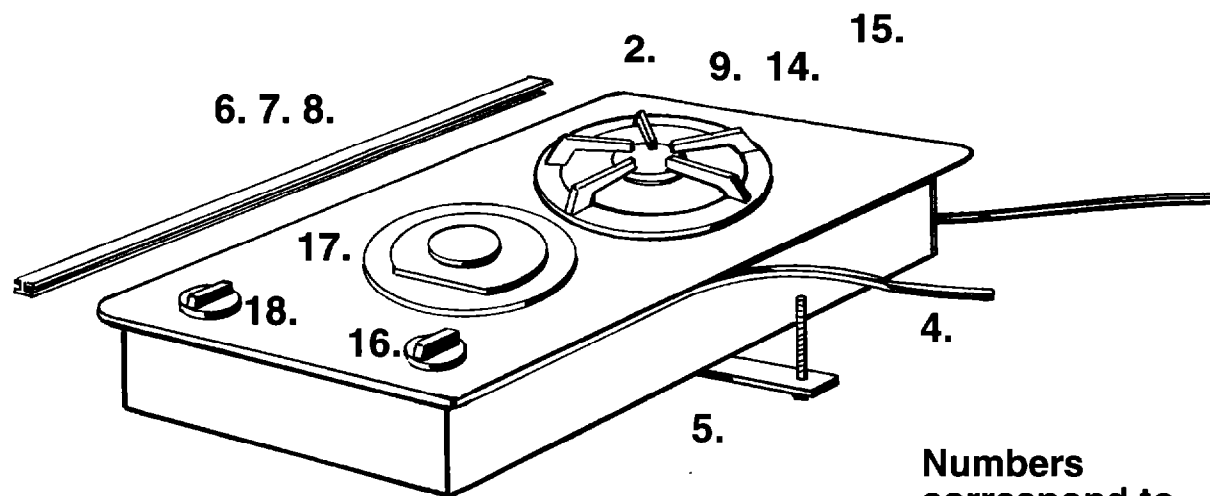
Multiple cooktops and/or grill combinations:

Rotate the left mounting bracket away from the burner box of the first appliance. Tighten the mounting bracket to the burner box. Insert the 2-1/2" clamping screw into the mounting bracket. Use a screwdriver to tighten the screw against the underside of the countertop.

Rotate right mounting bracket away from the burner box. Attach other end of mounting bracket to adjacent appliance with a 5/16" screw. Use a screwdriver to tighten mounting bracket to both appliances. Repeat for each additional appliance.

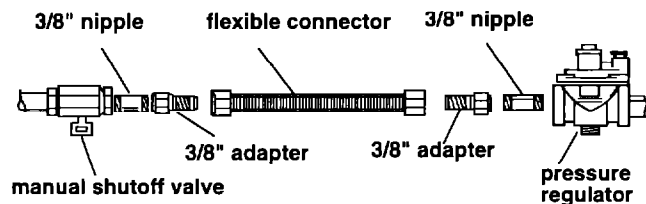
Rotate mounting bracket of the appliance that will be adjacent to the right side of the cutout away from the burner box. Tighten the mounting bracket to the burner box. Insert the 2-1/2" clamping screw into the mounting bracket. Use a screwdriver to tighten the screw against the underside of the countertop.

Remove the pencil outline from countertop.



Numbers correspond to steps.

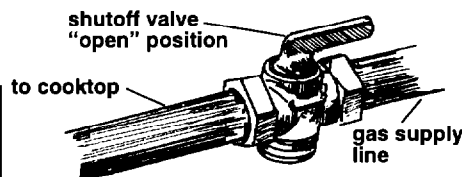
9. Install the pressure regulator with the arrow on the regulator pointing up toward unit and in a position where you can reach the access cap.



All connections must be wrench-tightened.

10. Assemble the flexible connector from the gas supply pipe to the pressure regulator in order: Manual shutoff valve, 3/8" nipple, 3/8" adapter, flexible connector, 3/8" adapter, and 3/8" nipple.

11. Use pipe-joint compound made for use with NATURAL and L.P. gas to seal all gas connections. If flexible connectors are used, be certain connectors are not kinked.

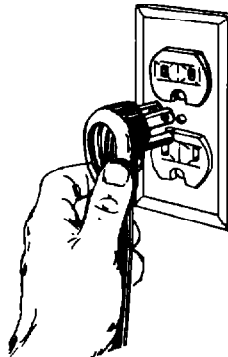


12. Open the shutoff valve in the gas supply line. Wait a few minutes for gas to move through the gas line.

13. Use a brush and liquid detergent to test all gas connections for leaks. Bubbles around connections will indicate a leak. If a leak appears, shut off gas valve controls and adjust connections. Then check connections again. **NEVER TEST FOR GAS LEAKS WITH A MATCH OR OTHER FLAME.** Clean all detergent solution from cooktop.

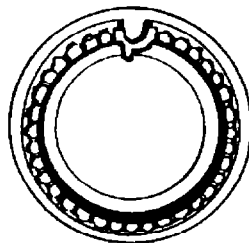
14.

Plug the power supply cord into the grounded outlet.



15.

Place burner grates over burners and caps. Install control knobs on valve stems.



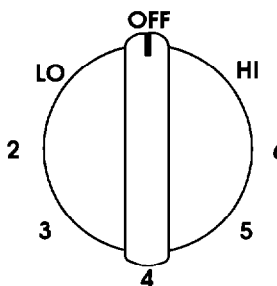
Electronic Ignition System — initial lighting

Cooktop burners use electronic ignitors in place of standing pilots. When the cooktop control knob is turned to the "HI" position, the system creates a spark to light the burner. This sparking continues until the burner ignites.

16.

Check the operation of the cooktop burners. Push in and turn each control knob to "HI" position. The flame should light within 4 seconds.

If the burners do not light properly, turn the control knob to the "OFF" position. Check that the burner cap is plugged in and that the circuit breaker or fuse has not blown. Check that the shutoff valve is in the "ON" position. Check operation again. If burner does not light at this point, contact your KitchenAid dealer for assistance.



17.

Check each cooktop burner for proper flame. The small inner cone should have a very distinct blue flame approximately 1/2" long. The outer cone is not as distinct as the inner cone.

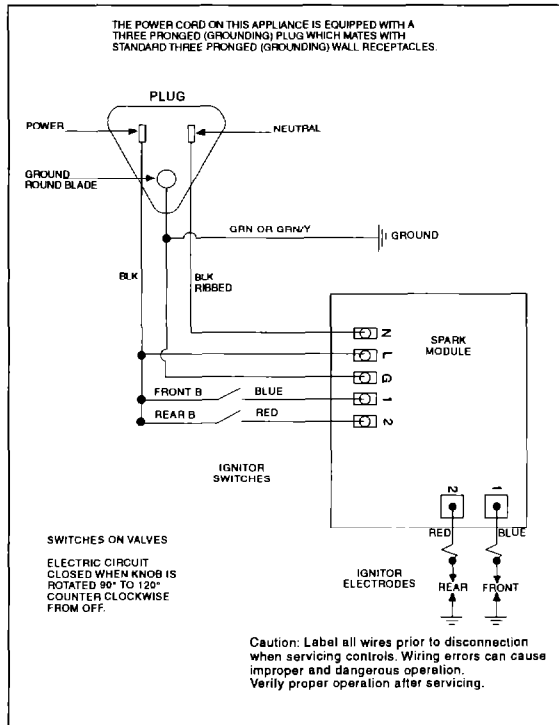


18.

Push in and turn each control knob to the "LO" (or simmer) setting. The "LO" setting of each burner has been factory set to the lowest setting available to provide reliable reignition of the burner. If it does not stay lit on the "LO" setting, contact your KitchenAid dealer for assistance.

To get the most efficient use from your new cooktop, read your KitchenAid Use and Care Guide. Keep Installation Instructions and Guide close to cooktop for easy reference.

Wiring diagram



If the cooktop, grill or downdraft vent does not operate...

- Check that the circuit breaker is not tripped or the house fuse blown.
- Check that the power supply cord is plugged into outlet.
- Check that the gas supply is turned on.

A more detailed troubleshooting checklist is provided in the Use and Care Guide.

If you need assistance...

The KitchenAid Consumer Assistance Center will answer any questions about operating or maintaining your appliances not covered in the Installation Instructions. The KitchenAid Consumer Assistance Center is open 24 hours a day, 7 days a week. Just dial 1-(800) 422-1230 — the call is free.

When you call, you will need the appliance model number and serial number. Both numbers can be found on the model/serial rating plate located on the burner box or blower housing of the appliances.

If you need service...

In the event that your KitchenAid appliance should need service, call the dealer from whom you purchased the appliance or a KitchenAid-authorized service company. A KitchenAid-authorized service company is listed in the Yellow Pages of your telephone directory under "Appliances — Household — Major — Service and Repair." You can also obtain the service company's name and telephone number by dialing, free, within the continental United States, the KitchenAid Consumer Assistance Center telephone number, 1-(800) 422-1230. A special operator will tell you the name and number of your nearest KitchenAid-authorized service company.