

Versión en español . . . . .	2
Product Registration . . . . .	2
Important Safety Instructions . . .	2-3
First Steps . . . . .	3
Energy Saving Ideas . . . . .	4
Setting the Controls . . . . .	4
Fresh Food Storage . . . . .	5
Shelves . . . . .	6
Automatic Ice and Water Dispenser . . . . .	7-10
Care and Cleaning . . . . .	11-12
Removing Handles and Doors . . .	13
Avoid Service Checklist . . . . .	14-17
Normal Operating Sounds . . . . .	17
Warranty (United States) . . . . .	18
Service Information (Canada) . . .	19
Warranty (Canada) . . . . .	20

## Product Registration

### Versión en español

Si desea obtener una copia en español de este Manual del Usuario, sírvase escribir la dirección que se incluye a continuación. Solicite la P/N 218912800.

Spanish Owner's Guides  
Frigidaire Home Products  
P.O. Box 212378  
Augusta, GA 30917

Record the Model Number and Serial Number of this refrigerator in the space provided below. These numbers are found on the serial plate located on the ceiling of the refrigerator compartment.

**Model Number:** \_\_\_\_\_

**Serial Number:** \_\_\_\_\_

### Register Your Product

The self-addressed PRODUCT REGISTRATION CARD should be filled in completely, signed and returned to Frigidaire, or in Canada, Frigidaire Canada.

## Important Safety Instructions

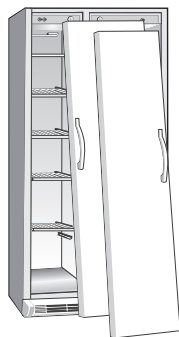
**Read all instructions before using this refrigerator.**

### Proper Disposal of Your Refrigerator/Freezer

**⚠ WARNING** Risk of child entrapment. Child entrapment and suffocation are not problems of the past. Junked or abandoned refrigerators or freezers are still dangerous - even if they will sit for "just a few days." If you are getting rid of your old refrigerator or freezer, please follow instructions below to help prevent accidents.

**BEFORE YOU THROW AWAY YOUR OLD REFRIGERATOR OR FREEZER:**

- \* Remove doors.
- \* Leave shelves in place, so children may not easily climb inside.



### ⚠ WARNING For Your Safety

Do not store or use gasoline or other flammable vapors and liquids in the vicinity of this, or any other appliance. Read product labels for flammability and other warnings.

### ⚠ WARNING Child Safety

- Destroy carton, plastic bags, and any exterior wrapping material immediately after the refrigerator is unpacked. Children should never use these items for play. Cartons covered with rugs, bedspreads, plastic sheets, or stretch wrap may become airtight chambers that can quickly cause suffocation.
- Remove all staples from the carton. Staples can cause severe cuts, and ruin finishes if they come in contact with other appliances or furniture.
- An empty, discarded icebox, refrigerator, or freezer is a very dangerous attraction to children. **Remove the door of any appliance that is not in use, even if it is being discarded.**

### ⚠ WARNING Electrical Information

**These guidelines must be followed to ensure that safety mechanisms in the design of this refrigerator will operate properly.**

- **Refrigerator must be plugged into its own 115 Volt, 60 Hz, AC only electrical outlet.** The power cord of the appliance is equipped with a three-prong grounding plug, for your protection against shock hazards. It must be plugged directly into a properly grounded three-prong receptacle. The receptacle must be installed in accordance with local codes and ordinances. Consult a qualified electrician. **DO NOT USE AN EXTENSION CORD OR AN ADAPTER PLUG.**
- If voltage varies by 10 percent or more, performance of your refrigerator may be affected. Operating the refrigerator with insufficient power can damage the compressor. Such damage is not covered under your warranty. If you suspect your voltage is high or low, consult your power company for testing.
- To prevent the refrigerator from being turned off accidentally, do not plug the unit into an outlet controlled by a wall switch or pull cord.
- Do not pinch, knot, or bend the power cord in any manner.

**⚠ WARNING** Avoid fire hazard or electric shock. Do not use an extension cord or an adapter plug. Do not remove any prong from power cord.

Grounding type wall receptacle



**Do not under any circumstances cut, remove, or bypass the grounding prong from this plug.**

Power supply cord with 3-prong grounding plug

## Important Safety Instructions (continued)

### **⚠ WARNING** Other Precautions

- Never unplug the refrigerator by pulling on the power cord. Always grip the plug firmly, and pull straight out from the receptacle.
- To avoid electrical shock, unplug the refrigerator before cleaning and before replacing a light bulb. **Note:** Turning the control to OFF turns off the compressor, but does not disconnect power to the light bulb or other electrical components.
- Do not operate the refrigerator in the presence of explosive fumes.
- Avoid contact with any moving parts of the automatic ice maker.

## First Steps

This Owner's Guide provides specific operating instructions for your model. Use refrigerator only as instructed in this Owner's Guide. **Before starting refrigerator, follow these important first steps:**

### Location

Install refrigerator:

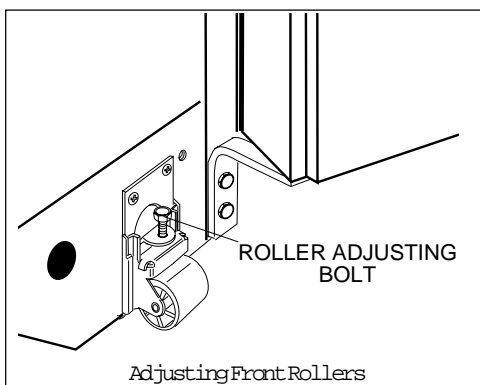
- near a grounded electrical outlet. **DO NOT** use an extension cord or an adapter plug.
- out of direct sunlight and away from range, dishwasher, or other heat sources, if possible.
- on a floor that is level and strong enough to support a fully loaded refrigerator.
- where a water supply is available for automatic ice maker.

### Installation

- Do not install refrigerator where temperature will drop below 60°F (15°C), or rise above 110°F (43°C). Compressor will not be able to maintain proper temperatures.
- In a recessed installation, allow an extra 1/2 inch (10-15 mm) on each side for ease of installation.
- If the hinge side of the unit will be placed against a wall, allow a 1-3/4 inch (44 mm) space between wall and refrigerator to permit proper door swing.

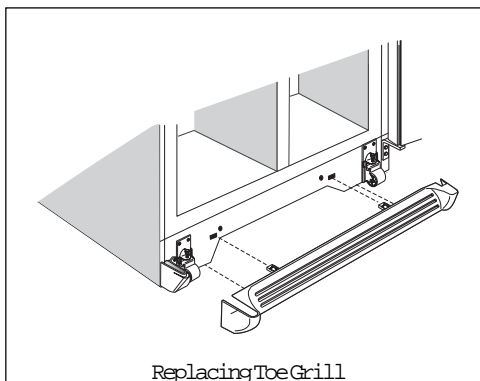
### Door Opening

For best use of drawers and freezer basket, refrigerator should be in a position where both the refrigerator and freezer doors can be opened about 135°.



### Leveling

- Refrigerator must be leveled with all bottom corners resting firmly on a solid floor. Adjust front rollers to level cabinet both front-to-rear and side-to-side. Keep cabinet as low as possible for stability. *Never adjust cabinet rollers so front is lower than rear.*
- **To adjust front rollers:** Open refrigerator and freezer doors. Remove toe grill by pulling it straight out. Adjust rollers by turning each roller adjusting bolt with an adjustable wrench, a socket wrench, or a nut driver until refrigerator is level and stable. Rear rollers are not adjustable.
- Check both doors to be sure seals touch cabinet evenly on all four sides.
- If freezer door is higher than refrigerator door, raise right corner and/or lower left corner until doors align across top of cabinet.
- If refrigerator door is higher than freezer door, raise left corner and/or lower right corner until doors align across top of cabinet.
- **To replace toe grill:** Line up tabs with holes, and push grill straight on.



### Cleaning

- Wash the inside, all removable parts, and the outside with mild detergent and warm water. Wipe dry. **DO NOT USE HARSH CLEANERS ON THESE SURFACES.**
- Do not use razor blades or other sharp instruments that can scratch appliance surface, when removing adhesive labels. Any glue left from the tape or energy label can be removed with a mixture of warm water and mild detergent, or touch glue with sticky side of tape already removed.
- **DO NOT REMOVE SERIAL PLATE.**

## Energy Saving Ideas



- Install the refrigerator in the coolest part of the room, out of direct sunlight and away from heating ducts or registers. Do not place the refrigerator next to heat-producing appliances such as a range, oven, or dishwasher. If this is not possible, a section of cabinetry, or an added layer of insulation between the two appliances will help the refrigerator operate more efficiently.
- Level refrigerator so doors close tightly.
- Refer to this Owner's Guide for the suggested refrigerator settings.
- Periodic cleaning of the condenser will help the refrigerator run more efficiently. See "Outside" in the Care and Cleaning Section.
- Do not overcrowd the refrigerator or block cold air vents, which are located in the refrigerator compartment at the top center of the rear wall. Doing so causes the refrigerator to run longer and use more energy. Shelves should not be lined with aluminum foil, wax paper, or paper toweling. Liners interfere with cold air circulation, making the refrigerator less efficient, which could cause food spoilage.
- Cover foods and wipe containers dry before placing them in the refrigerator. This cuts down on moisture build-up inside the unit.
- Organize the refrigerator to reduce door openings. Remove as many items as needed at one time, and close door as soon as possible.

## Setting the Controls

### Cool Down Period

To ensure safe food storage, allow refrigerator to operate with the doors closed for at least 8 to 12 hours before loading with food.

### Refrigerator Control

- The refrigerator control should be set at the midpoint of the dial for a trial period of 24 hours.
- After 24 hours, adjust the control as needed. For colder temperatures, turn dial a notch toward COLDEST. For warmer temperatures, turn dial a notch toward COLD. Adjust temperatures by one increment at a time.

### Freezer Control

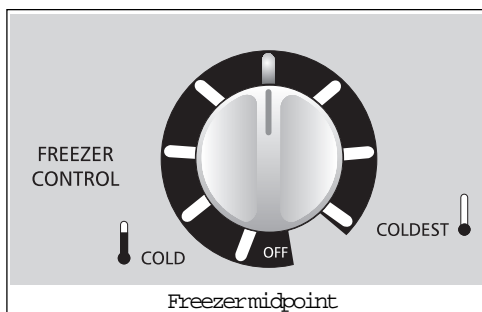
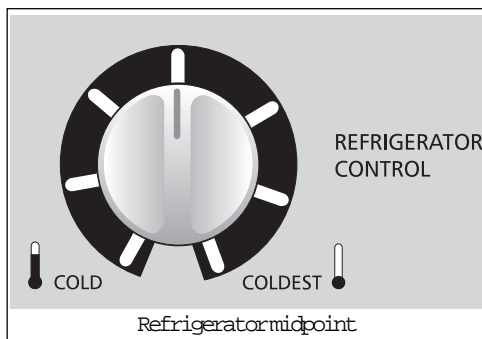
- The freezer control should be set at the midpoint of the dial for a trial period of 24 hours.
- After 24 hours, adjust the control as needed. For colder temperatures, turn dial a notch toward COLDEST. For warmer temperatures, turn dial a notch toward COLD. Adjust temperatures by one increment at a time.

**Note:** When first setting the controls or when changing a setting, wait 24 hours for the temperature to stabilize, before making additional changes.

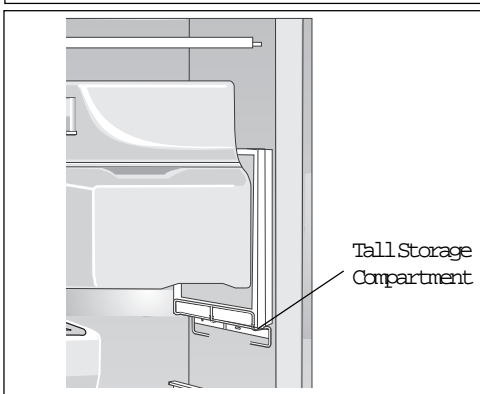
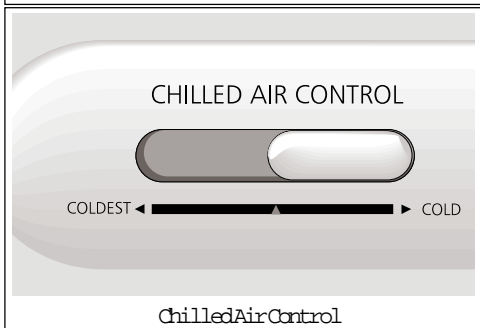
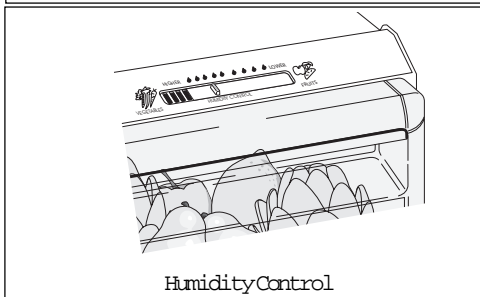
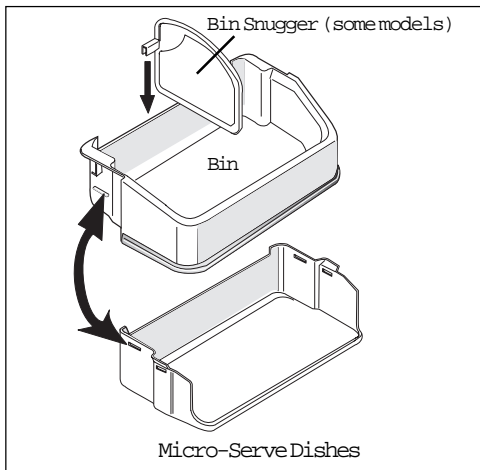
Turning the freezer control may change temperatures in both compartments. For example, if the freezer control is turned to a colder setting, the refrigerator control may have to be adjusted to a warmer one. Turning the refrigerator control will change only the refrigerator temperature.

**IMPORTANT:** If the freezer control is turned to **OFF**, cooling stops in both compartments.

You may hear the "Frost Free" system working. A fan circulates air in the refrigerator and freezer compartments. For good circulation and maintenance of proper cooling temperatures, do not block cold air vents with food items. Water draining into the defrost water pan and hissing sounds are normal during the automatic "Frost Free" cycle.



## Fresh Food Storage



## Door Storage

### Bins and Shelves:

Door bins and shelves are provided for convenient storage of jars, bottles and cans. Items used often are available for quick selection.

Door bins can be moved to suit individual needs. Remove bins by lifting straight up. Place bins in the desired position, and lower over the supports.

### Dairy Compartment:

The Dairy Compartment is warmer than the general food storage section, and is intended for short term storage of cheese, spreads, or butter. In some models, the dairy compartment module is removable and interchangeable with any other bin on the refrigerator door. To use the additional storage shelf molded into the top of the dairy compartment module, place module down on the next set of shelf supports, or lower.

### Tall Bottle Retainer (some models)

The Tall Bottle Retainer keeps tall containers in the bin from falling forward when opening or closing the refrigerator door. To install, hold the retainer at the top, and slide it over the outside wall of the bin, as shown. Note that the retainer works best with the use of a bin snigger.

### Micro-Serve Dishes (some models)

Food can be stored, cooked\*, and served in Micro-Serve Dishes provided in some models. These dishes slide easily into their own tray, which hangs below a door bin, conveniently freeing shelf space for other items.

\*Remove plastic lid before cooking. Lid is intended for storage only.

### Crisper

The Crisper Drawer, located under the bottom refrigerator shelf, is for storing fruits and vegetables. Most produce should be washed in clear water, and drained before placing in this drawer. Items with strong odors or high moisture should be wrapped before storing.

The humidity control allows you to adjust the humidity within the crisper drawer. This can extend the life of fresh vegetables, which keep best in high humidity. Leafy vegetables keep best when stored with the humidity control set on HIGH, or in a drawer without a humidity control. This keeps incoming air to a minimum, and maintains maximum moisture content.

### Meat Keeper

The Meat Keeper is located at the bottom of the refrigerator. The temperature in this compartment can be made colder than the rest of the refrigerator compartment by sliding the chilled air control knob within the COLDEST or COLD range. Meat will be partially frozen, and may be kept fresh longer than if stored on a refrigerator shelf.

Before placing items in the meat keeper, follow these steps to keep meat fresh:

1. Always handle meat with clean hands, and keep compartment clean.
2. Store meat in its original wrapper. If necessary, overwrap in plastic wrap or foil to prevent drying. Wrap fish tightly to prevent odor transfer to other foods.
3. If spoilage ever occurs, disinfect the compartment with liquid chlorine bleach, following label directions. Then rinse with a solution baking soda and water solution. Rinse with clear water and dry.

### Tall Storage Compartment (some models)

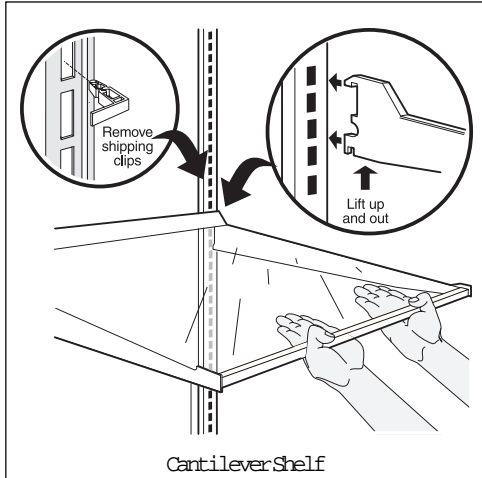
A shelf is attached to the freezer wall just below the ice server. This allows for convenient storage of tall items placed vertically between the ice server and the freezer wall.

# Shelves

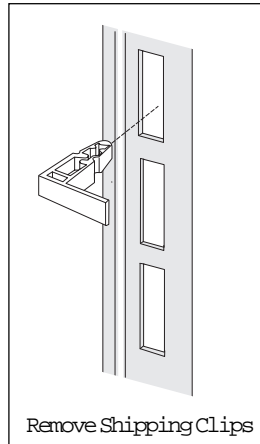
## Shelf Adjustment

Refrigerator shelves are easily adjusted to suit individual needs. Before adjusting shelves, remove all food. Remove and discard shipping clips wedged into the cantilever rail above the shelf hook (see below). These clips stabilize the shelves during shipping.

To adjust the cantilever shelves (supported at the rear of the refrigerator), lift the back of the shelf up and out. Replace shelf by inserting rear hooks into slots. Lower and lock into position.

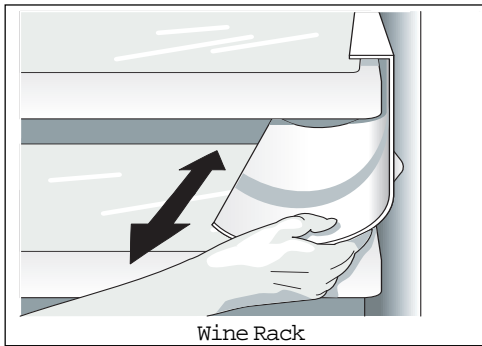


Cantilever Shelf



Remove Shipping Clips

Spillsafe™ glass shelves catch and hold accidental spills. In some models, Spillsafe™ shelves slide out for easy access to food, and fast cleaning. Shelves slide out independently of the cantilever bracket. Just pull front of shelf forward. Shelf can be extended as far as stopper will allow, and is not removable from the cantilever bracket.



Wine Rack

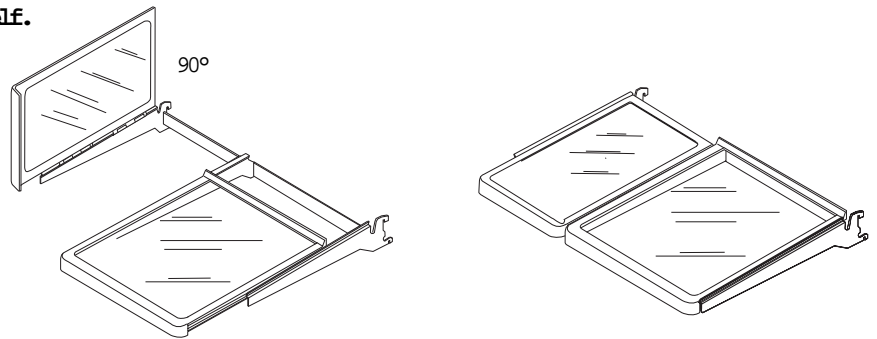
## Wine Rack (some models)

The wine rack stores bottles of wine, or single 2-liter plastic bottles of juice or soda pop. To install, slide wine rack onto the shelf with the curve facing in. To remove, slide wine rack out. Install on either side of a Spillsafe™ shelf.

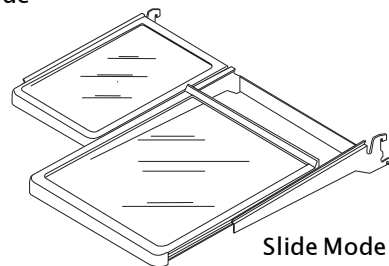
## Slider-Flip Shelf (some models)

Your Spillsafe™ slider-flip shelf provides more space and organization options. The slider-flip shelf is adjustable, like your other shelves. Clean your slider-flip shelf as you would any other inside refrigerator part (please see the Care and Cleaning Section).

To suit your need, "flip" the flip shelf as shown below. The shelf will stay in position. The slider shelf portion slides in and out, like your other refrigerator shelves. **Remember to leave enough space above the shelf to "flip" the flip shelf.**

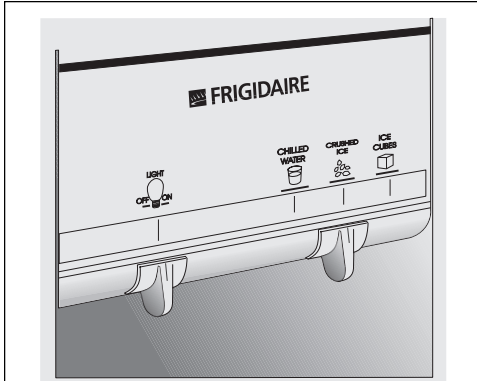


Flip-Slide Mode



Slide Mode

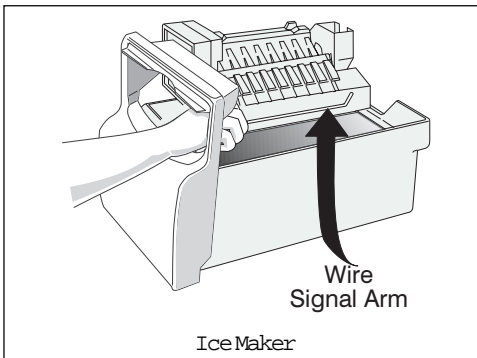
## Automatic Ice and Water Dispenser



Dispenser Selector



Press glass against dispensing arm.



Ice Maker

The ice and water dispenser on the freezer door conveniently dispenses chilled water, crushed ice, and ice cubes. To operate dispenser, slide the knob to the selection of your choice. Press a glass against the dispensing arm, as shown left. Be sure to hold the glass up as far as possible to catch all cubes. To stop dispensing, pull glass away from dispensing arm. When dispensing ice, release dispensing arm before glass is full, but do not remove the glass until the ice has completely dispensed. To determine the coarseness of crushed ice, select a setting on the Crushed Ice Selector, located inside freezer on front cover of ice storage bin.

A small heated area beneath the dispenser floor catches and evaporates small spills. **Do not pour water or excess cubes into this area**, because there is no drain.

### How the Water Dispenser Works

The water tank is located behind the drawers in the refrigerator compartment. As the water is dispensed, the tank is automatically refilled. For proper operation of the dispenser, the supply water pressure must fall between 30 psi and 120 psi.

After refrigerator is installed, and the plumbing connections are complete, the water tank should be filled by drawing one glass of water. **It may take approximately 1-1/2 minutes** after depressing dispenser arm, before water works its way through the plumbing connections, and begins to fill this first glass. Draw and discard 7 more glasses to be sure tank and plumbing connections are rinsed of any impurities.

**To ensure fresh-tasting water**, plan to use dispenser every day. If water dispenser has not been used for a week or more, draw and discard 7-8 glasses to freshen tank supply.

### How the Ice Dispenser Works

The icemaker and ice storage bin are located in the top left corner of the freezer compartment. After refrigerator is installed properly and has cooled for several hours, the icemaker can begin making ice. To begin ice production, lower the wire signal arm to the "down" or ON position. As cubes are made, they are stored in the storage bin. With no usage it will take approximately 2 days to fill the bin. However, the dispenser may be used after the first batch of ice is made. Ice maker turns off automatically when the ice storage bin is full.

Because of the new plumbing connections, the first production of ice cubes may be discolored, or have an odd flavor. These should be discarded until cubes made are free of discoloration and taste. **CAUTION** Remember that water quality determines your ice quality. It is best to connect the icemaker to water that is not softened. Chemicals from a malfunctioning softener can damage the icemaker. If icemaker is connected to soft water, ensure the softener is maintained and working properly.

To stop the icemaker, lift the wire signal arm until it clicks, and locks in the "up" or OFF position.

### Light

The dispenser has a light that can be turned on and off by sliding the knob to desired position. The light also turns on automatically when ice and/or water is dispensed. Replace light bulb with an appliance bulb of the same wattage.

# Automatic Ice and Water Dispenser

(continued)

## Ice Dispenser Tips

1. Ice cubes stored too long may develop an odd flavor. Empty the container and return it to the proper position. Ice maker will then produce more ice.
2. Occasionally shake container to keep ice separated.
3. If dispensing arm is pushed in for more than 4 minutes, the dispenser motor may overload and stop. The overload protector will reset automatically after 3 or 4 minutes. If a large quantity of ice is needed at one time, it is best to remove cubes directly from ice storage bin.
4. Certain sounds are normal when the ice maker is operating. They are:
  - Motor operation
  - Ice being loosened from the tray
  - Ice dropping into the storage bin
  - Running water
  - Water valve opening or closingFor more information on these operations, see Normal Operating Sounds Section.
5. Stop the ice maker when cleaning the freezer, or for long vacations.
6. If the ice maker is to be turned off for a long period of time, turn water supply valve to the closed position.

## Cleaning the Ice Dispenser

Clean the dispenser and ice storage bin at regular intervals, particularly before you take a vacation, move, or if ice dispenser sticks.

1. Stop ice production by lifting the wire signal arm to the "up" or OFF position.
2. Remove ice storage bin by lifting up and out. Empty and carefully clean bin with **mild** detergent. Do not submerge auger while cleaning. Rinse with clear water. Do not use harsh or abrasive cleaners. Allow ice bin to dry completely before replacing in the freezer.
3. Remove ice chips, and clean the shelf and chute that supports the ice storage bin.
4. Replace ice storage bin. Lower the wire signal arm on the ice maker to the "down" or ON position. Ice maker will resume production.

**IMPORTANT:** When removing or replacing ice bin, do not rotate the auger in the ice bin. If auger is accidentally turned, you must realign the auger by turning it in 90° turns, until the ice bin fits into place with the drive mechanism. For further instruction, see label on ice bucket.

### Remove and empty the ice storage bin if:

1. An extended power failure (one hour or longer) causes ice cubes in the ice storage bin to melt, freeze together, and jam the dispenser mechanism.
2. The ice dispenser is not used frequently. Ice cubes will freeze together in the bin and jam dispenser mechanism. Remove ice storage bin, and shake to loosen cubes.

**NEVER** use an ice pick or similar sharp instrument to break up ice. This could damage the ice storage bin and dispenser mechanism.

## PureSource™ Ice and Water Filter (some models)

**NOTE: If you purchased a refrigerator with a PureSource Ice and Water Filter, please read the following use and care information.**

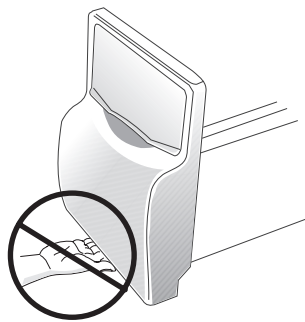
This ice and water filter system filters water to your icemaker and water dispenser. It is located in the upper right back corner of the fresh food compartment (see Figure 1 on the following page).

### System Startup:

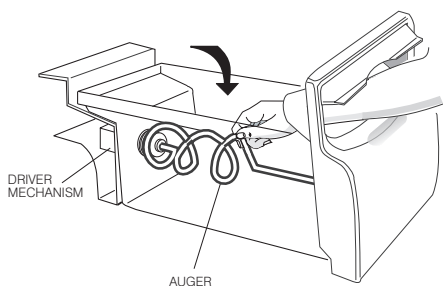
Water supply does not need to be turned off, however do not use ice and water dispenser while installing filter. Refer to Figure 1 as you complete these instructions.

1. Take filter cartridge, large O-ring, and wrench from parts bag in crisper pan.
2. Set icemaker lever (signal arm) to the OFF (up) position.

**WARNING** Do not use the ice chute as a handle when removing or replacing the ice storage bin. Surfaces there may be sharp.



DO NOT PUT FINGERS UP ICE CHUTE. SURFACES THERE MAY BE SHARP.



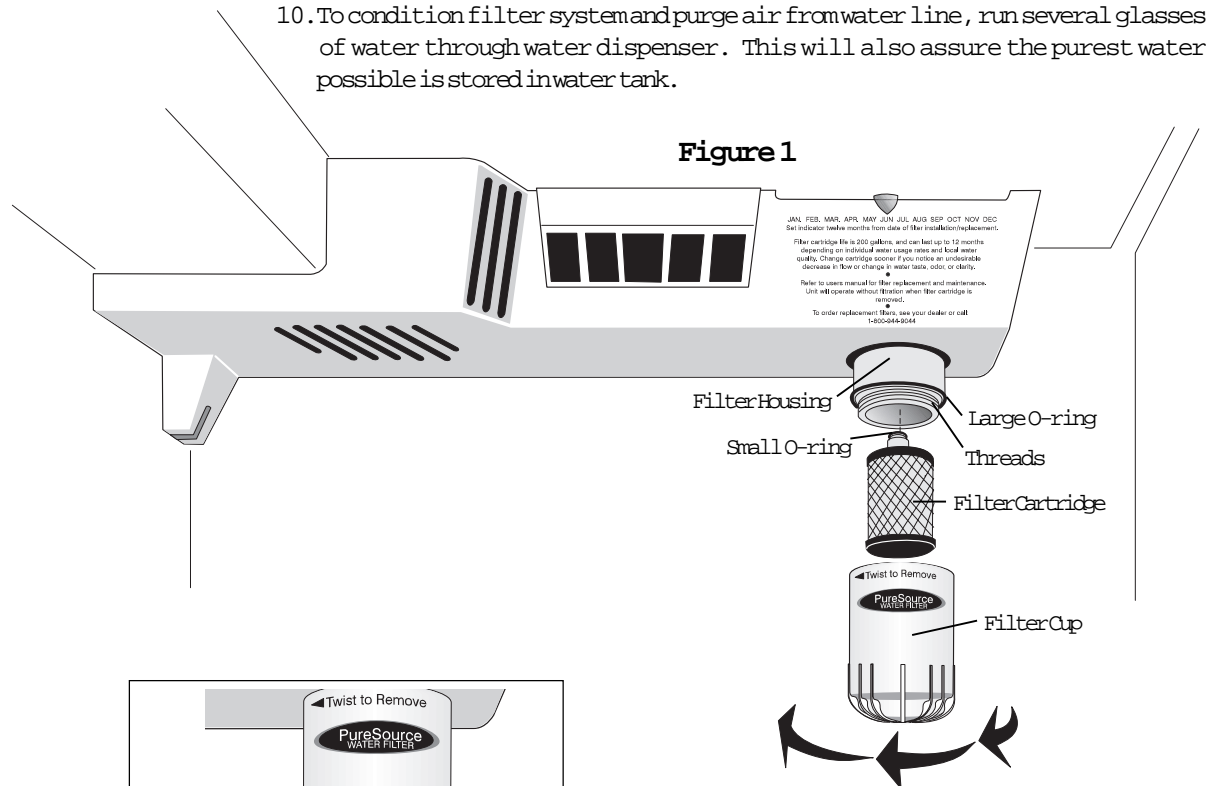
Repositioning the Auger



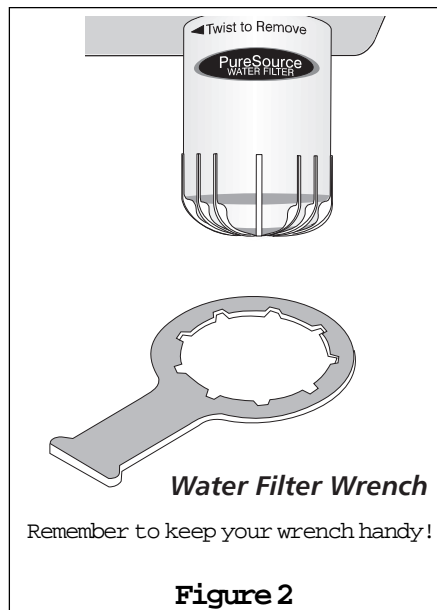
# Automatic Ice and Water Dispenser

(continued)

3. Unscrew filter cup, counterclockwise (Figure 1). If you have trouble unscrewing cup, use the cup removal wrench included in parts bag (Figure 2).
4. You must replace existing large O-ring on filter housing. First remove old ring and discard. (You may need to use a toothpick to get under ring. **NOTE: Use caution so that groove that holds ring is not damaged!**) Carefully remove new O-ring from sealed bag. Gently roll O-ring into place, into containment groove above threads.
5. Remove packaging from filter cartridge.
6. Place filter cartridge in cup. The end with the small O-ring should be up, out of the cup.
7. Screw cup, with filter, back onto housing. **DO NOT USE WRENCH TO REINSTALL CUP.** Filter cartridge will self-align as cup is tightened. Be sure cup is completely tightened with *PureSource™* Logo facing outward. **DO NOT TIGHTEN PAST STOP.**
8. Set icemaker lever to the ON (down) position.
9. Check for leaks. Open refrigerator door. Wipe any water drops from filter cup. Run a glass of water. If there is a leak, unscrew filter cup, and reinsert filter cartridge. Check placement of large O-ring (see directions following). Reinstall filter cup.
10. To condition filter system and purge air from water line, run several glasses of water through water dispenser. This will also assure the purest water possible is stored in water tank.



**Figure 1**



**Figure 2**

**TWIST TO REMOVE**

# Automatic Ice and Water Dispenser

(continued)

Order new filter cartridges through the dealer where you bought the refrigerator, or contact the Frigidaire Consumer Assisting Center at 1-800-944-9044. It might be good to order some filters when you first install your refrigerator.

### Changing the Filter and Large O-ring:

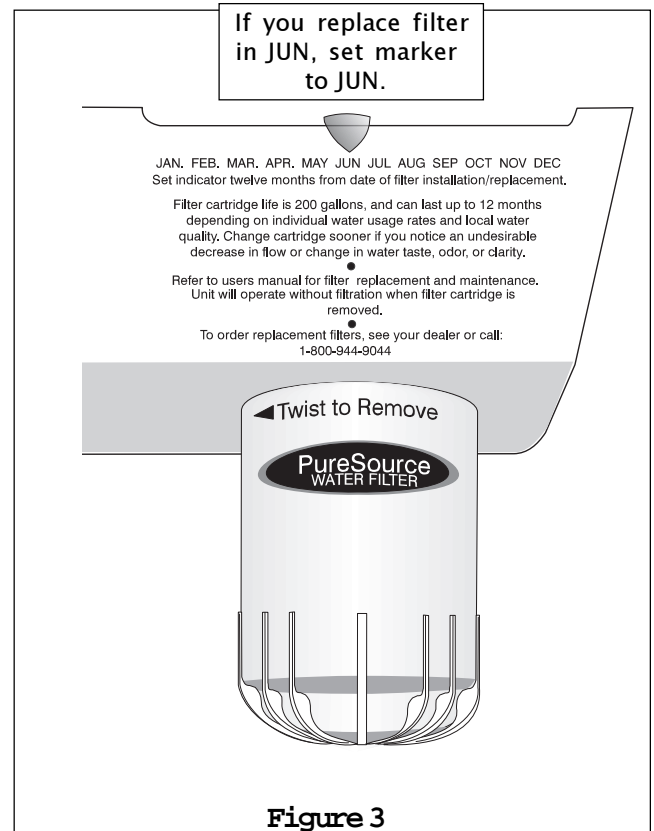
Water quality varies throughout the world. To ensure the highest possible water quality, change water filter and O-ring every 12 months. Also, if filter has been in a refrigerator that has not been in use for awhile (during moving for example), change filter before reinstalling refrigerator. Note dispenser system will also operate without filtration (with filter cartridge removed).

### To change filter and large O-ring:

Refer to Figure 1 as needed.

1. Set icemaker lever (wire signal arm) to the OFF (up) position.
2. Hold filter cup firmly, and unscrew counter clockwise (Figure 1). Use cup removal wrench if necessary (Figure 2). (Some water could leak out as you remove cup. This is normal.) Filter cartridge will come down with cup. If cartridge remains in housing, pull down gently, while twisting filter back and forth.
3. Replace large O-ring on filter housing. First remove old ring and discard. (You may need to use a toothpick to get under ring. **NOTE: Use caution so that neither ring, nor groove that holds ring are damaged!**) Carefully remove new O-ring from sealed bag. Gently roll O-ring into place, into containment groove above threads.
4. Empty cup of any substance.
5. Discard old filter cartridge.
6. Remove new filter cartridge from packaging, and install. See Steps 6-10 in "System Startup."

As a reminder to change your filter and O-ring, set control box marker 12 months from date of replacement (Figure 3).



## Care and Cleaning

Keep your refrigerator and freezer clean to prevent odor build-up. Wipe any spills immediately, and clean both sections at least twice a year. **Never** use metallic scouring pads, brushes, abrasive cleaners, or strong alkaline solutions on any surface. **Do not** wash any removable parts in a dishwasher.

**Always unplug the power cord from the wall outlet before cleaning.** **NOTE:** Turning the control to OFF does not disconnect power to the controls, light bulb, or other electrical components.

**CAUTION** Damp objects stick to cold metal surfaces. Do not touch refrigerated surfaces with wet or damp hands.

### Inside

Wash inside refrigerator and freezer surfaces with a solution of 2 tablespoons baking soda in 1 quart warm water. Rinse and dry thoroughly. *Be sure to wring excess water out of sponge or cloth before cleaning around the controls, light bulb, or any electrical parts.*

Wash removable parts such as shelves and drawers with baking soda solution, or mild detergent and warm water. **DO NOT USE HARSH CLEANERS ON THESE SURFACES.** Rinse and dry thoroughly. Clean the door gaskets with mild suds, rinse with clear water and wipe dry. Do not use razor blades or other sharp instruments that can scratch the appliance surface when removing adhesive labels. Any glue left from the tape or energy label can be removed with a mixture of warm water and mild detergent, or, touch the residue with the sticky side of tape already removed. **DO NOT REMOVE THE SERIAL PLATE.**

**CAUTION** To avoid damage and help refrigerator run as efficiently as possible, clean the condenser and air vents periodically.

### Outside

Wash the cabinet and handles with warm water and mild liquid detergent. Rinse well, and wipe dry with a clean soft cloth. Do not use commercial household cleaners, ammonia, or alcohol to clean handles.

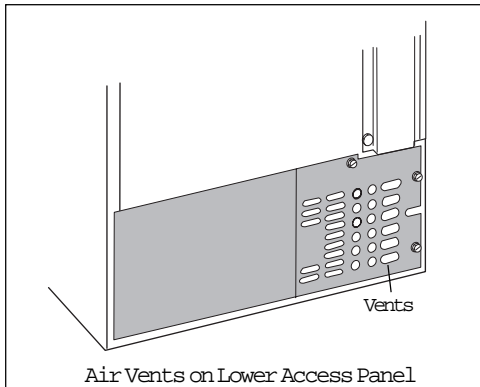
#### Toe Grill:

Remove any dust or dirt from the front of toe grill using a vacuum cleaner with its dusting tool attachment. Remove toe grill by pulling it straight out. While grill is removed, vacuum the back of grill, and wipe with a sudsy cloth or sponge. Periodically clean the condenser (black tubes and wires beneath refrigerator, behind toe grill). Do not allow lint or dust to accumulate on the coils. Insert a long handled brush or vacuum attachment between the two coils to bring the lint forward. To replace toe grill, line up tabs with holes, and push grill straight on.

**CAUTION** Use caution when cleaning in the area of the coils. Surfaces there may be sharp.

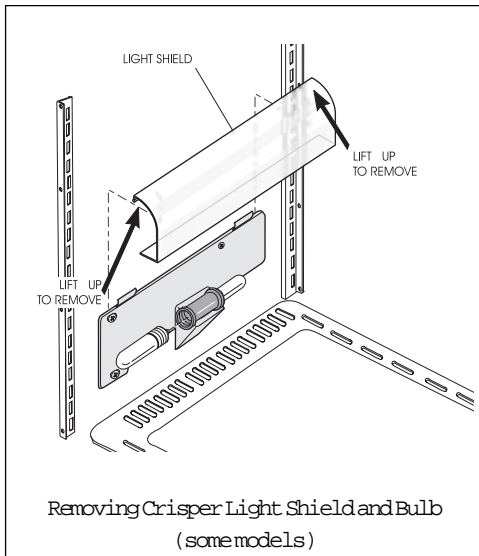
#### Lower Access Panel:

As shown below left, air vents on the lower access panel at the rear of the refrigerator should be cleaned periodically. Clean vents by using a vacuum cleaner with its dusting tool attachment. When moving the refrigerator, pull straight out. Do not shift refrigerator from side to side. This may tear or gouge the floor covering. Be careful not to move refrigerator beyond plumbing connections.



## Care and Cleaning

(continued)



### Replacing Light Bulb

To replace light bulb in either compartment:

1. Unplug refrigerator.
2. Wear gloves as protection against possible broken glass.
3. Remove light shield where necessary, such as over crisper. Replace old bulb with an appliance bulb of the same wattage.
4. Remember to plug refrigerator back in.

### Vacation and Moving Tips

**Short vacations:** Leave refrigerator operating during vacations of 3 weeks or less.

Use up all perishable items from the refrigerator section. Wrap and store other items in the freezer. Turn off automatic icemaker, even if you will be gone just a few days.

**Long vacations:** Remove all food and ice if you will be gone 1 month or more. Turn controls to OFF, and disconnect power. Turn off automatic icemaker, and turn water supply valve to the closed position. Clean the interior thoroughly. Leave both doors open to prevent odor and mold build-up. Block open if necessary.

**Moving:** When moving refrigerator, follow these guidelines to prevent damage:

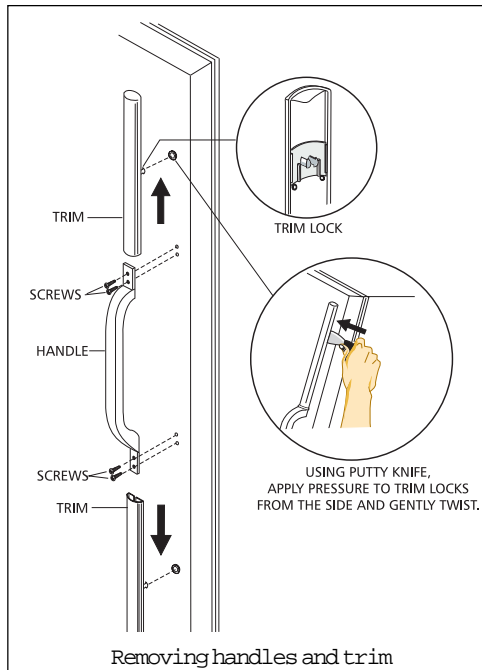
- Remove all food and other items from the refrigerator and freezer compartments. Empty ice storage bin.
- If a hand truck is used in moving, load refrigerator from the side.
- Turn rollers as far up as possible. This will protect them during sliding or moving.
- The cabinet should be well padded and handled with care. **DO NOT DROP.**

The water tank should be emptied to prevent water from standing for a period of time or freezing during colder temperatures. To drain tank, follow these steps:

1. Unplug refrigerator. Carefully move unit away from wall. Be careful not to move refrigerator beyond plumbing connections.
2. Turn off the household water line valve that supplies water to refrigerator.
3. Disconnect refrigerator water supply line from the household water source. *Some water remaining in the line may be spilled out.*
4. Place a large pan, with at least a 3-quart capacity, behind refrigerator next to the water supply valve (see "Automatic Ice Maker" in the Avoid Service Checklist Section).
5. Disconnect water tank inlet lines at the water supply valve. Water will spill out when the water line is completely removed. Put the water tank inlet line into pan to catch drainage.
6. After drainage has stopped, reconnect water tank inlet line to the water supply valve. Some water may remain in water tank. Should the unit freeze, the small amount of water left should not cause a problem.

## Removing Handles and Doors

If it is necessary to move refrigerator through narrow doorways, follow these steps to remove the handles, and/or refrigerator and freezer doors.



### To Remove Handles

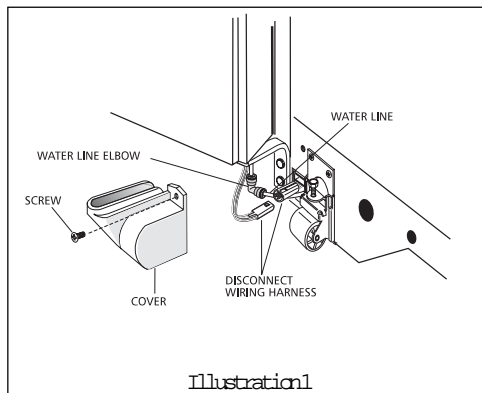
#### Full-length Trim:

1. Using a putty knife, carefully slide the corner of the blade under the trim. Slide blade down until you find the trim lock. Carefully maneuver blade against the trim lock **from the side** as shown. **Note:** Pressing down on trim lock from above will not release it.
2. Carefully push putty knife firmly against the trim lock and twist gently. Trim lock will snap free from door. (Each trim piece will have two trim locks.)
3. Grasp trim, and pull up away from handle using a slight side-to-side motion.
4. Remove screws attaching handle to door.
5. Repeat these steps for each handle end. Keep screws and trim pieces.
6. To replace handles, line up handle with screw holes, insert screws, and tighten. Slide upper and lower trim pieces back on handle ends, and snap trim locks back into holes on door front.

### To Remove Doors

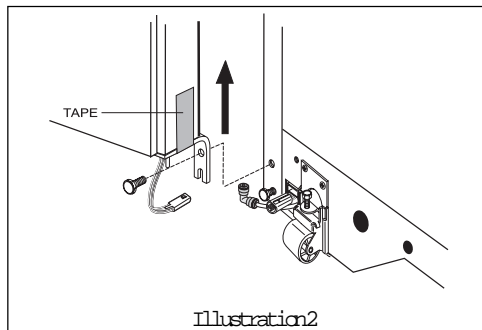
Before removing doors, be sure freezer control is turned to OFF. Remove all food from doors. Unplug refrigerator. Remove toe grill.

Trace around hinges with a soft lead pencil. This will make it easier to realign doors when they are replaced. Completely remove one door before starting removal of the other.



#### Freezer Door:

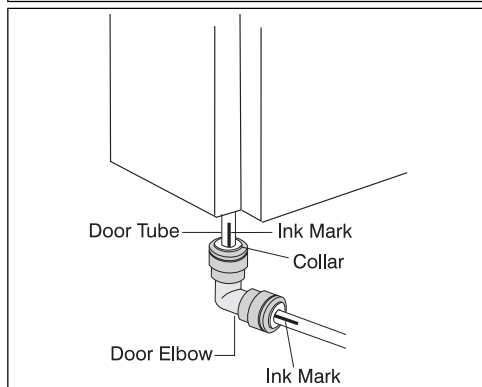
1. Remove the toe grill. (See Outside in the "Care and Cleaning" section.)
2. Remove the wiring cover located over the lower hinge of the freezer door. The cover is held in place by a single screw. (Illustration 1)
3. To disconnect wiring harness plug (connector), position yourself to be able to place your thumbs on the flat sides of each connector piece. Bend both parts back and forth. Then with a **firm** grasp, pull the two pieces apart as shown.
4. To disconnect water line, hold water line elbow and push in on gray collar, forcing elbow down, off from tube that runs into door.
5. Place a strip of tape along the door bottom, over the lower hinge and up the side of the door. This will hold the hinge in place when the door is removed.
6. Remove the top bolt of the lower hinge. Loosen, but **DO NOT REMOVE**, the bottom bolt of the lower hinge.
7. Remove top hinge cover by lifting back of cover and sliding forward. Remove hinge screws from hinge bracket with a counter-clockwise motion. **Note:** Hinge has minimal spring tension. Hold bracket when removing last screw. **DO NOT** remove hinge bracket from door.
8. Carefully lift the door up and off the loosened lower hinge bolt. (Illustration 2)



#### Refrigerator Door:

1. Remove top hinge cover by lifting back of cover and sliding forward. Remove hinge screws from hinge bracket with a counter-clockwise motion. **Note:** Hinge has minimal spring tension. Hold bracket when removing last screw. **DO NOT** remove hinge bracket from door.
2. Remove the top bolt of the lower hinge. Loosen, but **DO NOT REMOVE**, the bottom bolt of the lower hinge.
3. Carefully lift the door up and off the loosened lower hinge bolt.

Store the doors in a safe place until the refrigerator is moved to the desired location. Keep all hardware for reinstallation.



### To Reinstall Doors

To reinstall the doors, reverse the instructions used to remove the doors. **Note:** To reinstall water line, push elbow up, onto door tube, until collar touches tube ink mark as shown left.

## Avoid Service Checklist

Before calling for service, review this list. It may save you time and expense. This list includes common occurrences that are not the result of defective workmanship or materials in this appliance.

### OCCURRENCE

### SOLUTION

#### RUNNING OF REFRIGERATOR

<b>Refrigerator compressor does not run.</b>	Freezer control is off. Set freezer control. See <b>Setting the Controls</b> .  Refrigerator is in defrost cycle. This is normal for a fully automatic defrosting refrigerator. The defrost cycle occurs periodically, lasting about 20 minutes.  Plug at wall outlet is disconnected. Make sure plug is tightly pushed into outlet.  House fuse has blown or circuit breaker has tripped. Check and/or replace fuse with a 15 amp time-delay fuse. Reset circuit breaker.  Power outage. Check house lights. Call local electric company.
<b>Refrigerator runs too much or too long.</b>	Room or outside weather is hot. It is normal for the refrigerator to work longer under these conditions.  Refrigerator has recently been disconnected for a period of time. It takes about 8-12 hours for the refrigerator to cool down completely.  Automatic ice maker is operating. Ice maker operation causes refrigerator to run slightly more.  Doors are opened too frequently or too long. Warm air entering the refrigerator causes it to run more. Open doors less often.  Refrigerator or freezer door may be slightly open. Make sure refrigerator is level. Keep food and containers from blocking door. See Occurrence section <b>OPENING/CLOSING OF DOORS/DRAWERS</b> .  Refrigerator control (found in refrigerator section) is set too cold. Set refrigerator control to a warmer setting until refrigerator temperature is satisfactory. Allow 24 hours for the temperature to stabilize.  Refrigerator or freezer gasket is dirty, worn, cracked, or poorly fitted. Clean or change gasket. Leaks in door seal will cause refrigerator to run longer in order to maintain desired temperatures.
<b>Refrigerator compressor goes on and off frequently.</b>	The thermostat is keeping refrigerator at a constant temperature. This is normal. Refrigerator goes on and off to keep temperature constant.
<b>TEMPERATURES ARE TOO COLD</b>	
<b>Temperature in freezer is too cold and refrigerator temperature is satisfactory.</b>	Freezer control is set too cold. Set freezer control to a warmer setting until freezer temperature is satisfactory. Allow 24 hours for the temperature to stabilize. Then, if refrigerator temperature is not right, set refrigerator control to a colder setting.
<b>Temperature in refrigerator is too cold and freezer temperature is satisfactory.</b>	Refrigerator control is set too cold. Set refrigerator control to a warmer setting. Allow 24 hours for temperatures to stabilize.
<b>Food stored in drawers freezes.</b>	Refrigerator control is set too cold. See solution above.
<b>Food stored in Meat Keeper (some models) freezes.</b>	Meat should be stored at a temperature just below the freezing point of water (32°F, 0°C) for maximum fresh storage time. It is normal for ice crystals to form due to the moisture content of meat.  Chilled Air Control set too cold. Adjust Chilled Air Control to a lower setting.
<b>TEMPERATURES ARE TOO WARM</b>	
<b>Temperature in freezer or refrigerator is too warm.</b>	Doors are opened too frequently or too long. Warm air enters the refrigerator whenever the door is opened. Open the door less often.  Door is open slightly. See Occurrence section <b>OPENING/CLOSING OF DOORS/DRAWERS</b> .  Condenser is dirty. Clean condenser. See "Outside" in <b>Care and Cleaning</b> .

## OCCURRENCE

## SOLUTION

### TEMPERATURES ARE TOO WARM

Temperature in freezer is too warm.

Freezer control is set too warm. Set freezer control to a colder setting until freezer temperature is satisfactory. Allow 24 hours for the temperature to stabilize. Then, if refrigerator temperature is not right, set refrigerator control to a warmer setting.

Temperature in the refrigerator is too warm and the freezer temperature is satisfactory.

Refrigerator control is set too warm. Set refrigerator control to a colder setting. Allow 24 hours for the temperature to stabilize.

Temperature in Meat Keeper (some models) is too warm.

Chilled Air Control is set too warm. Adjust Chilled Air Control to a colder setting.

### WATER/MOISTURE/FROST INSIDE REFRIGERATOR

Moisture collects on inside of refrigerator walls.

Weather is hot and humid, which increases rate of frost buildup and internal sweating. This is normal.

Door is slightly open. See Occurrence section **OPENING/CLOSING OF DOORS/DRAWERS**.

Door is opened too often or too long. Open door less often.

Water collects on bottom side of drawer cover.

Vegetables contain and give off moisture. It is not unusual to have moisture on the bottom side of the cover.

Water collects in bottom of drawer.

Washed vegetables and fruits drain while in the drawer. Dry items before putting them into drawer. Water collecting in bottom of drawer is normal.

### WATER/MOISTURE/FROST OUTSIDE REFRIGERATOR

Moisture forms on outside of refrigerator or between doors.

Weather is humid. This is normal in humid weather. When humidity is lower, the moisture should disappear.

Door is slightly open, causing cold air from inside refrigerator to meet warm air from outside. See Occurrence section **OPENING/CLOSING OF DOORS/DRAWERS**.

### AUTOMATIC ICE MAKER (some models)

Ice maker is not making any ice.

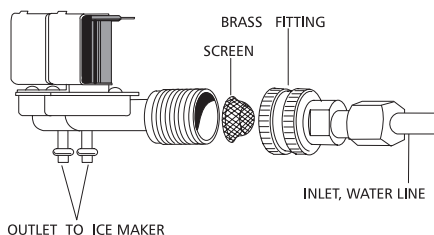
Ice maker wire signal arm is in "up" or OFF position. Move wire signal arm to "down" or ON position.

Household water line valve is not open. Turn on household water line valve.

Freezer is not cold enough. See Occurrence section **TEMPERATURES ARE TOO WARM**.

Saddle valve on cold water pipe is clogged or restricted by foreign material. Turn off household water line valve. Remove, clean or replace valve.

Check to see if the water dispenser is dispensing water. If not, the PureSource™ water filter is clogged or restricted by foreign material, and must be replaced.



Ice maker is not making enough ice.

Ice maker is producing less ice than you expect. Ice maker should produce approximately 2 1/2 to 4 pounds of ice every 24 hours.

Freezer is not cold enough. See Occurrence section **TEMPERATURES ARE TOO WARM**.

Household water line valve is not completely open. Turn on household water line valve.

Check to see if water dispenser is dispensing slower than normal. If it is, replace the PureSource™ filter cartridge.

Ice maker will not stop making ice.

Ice maker wire arm is being held down by some item in freezer. Move item, and release arm. Remove any ice cubes frozen together over arm.

Ice maker is not separating the cubes.

Ice cubes are not being used frequently enough. Remove and shake ice bucket to separate cubes.

If cubes are smaller than normal, or hollow, the PureSource™ filter could be clogged. Replace filter.

Ice has bad odor and taste.

Ice has picked up odor or flavor from strong food stored in refrigerator or freezer. Cover foods tightly. Discard stale ice. Ice maker will produce fresh supply.

Water running to ice maker has poor taste or odor. Add filter to ice maker. Consult a water purifying company.

## OCCURRENCE

## SOLUTION

### ICE DISPENSER

---

Dispenser will not dispense ice.

Ice storage bin is empty. When the first supply of ice is dropped into bin, dispenser should operate.

---

Freezer temperature is set too warm. Turn freezer control to a higher setting so that ice cubes will be made. When first supply of ice is made, dispenser should operate.

---

Household water line valve is not open. Open household water line valve, and allow sufficient time for ice to be made. When ice is made, dispenser should operate.

---

Freezer door is not closed. Be sure freezer door is closed.

---

Ice dispensing arm has been held in for more than 4-5 minutes. Motor is overloaded. Motor overload protector will reset in approximately 3 minutes. Ice can then be dispensed.

---

Ice dispenser is jammed.

Ice has melted and frozen around auger due to infrequent use, temperature fluctuations, and/or power outages. Remove ice storage bin, thaw, and empty the contents. Clean bin, wipe dry and replace in proper position. When new ice is made, dispenser should operate.

---

Ice cubes are jammed between ice maker arm and back of bin. Remove ice cubes that are jamming dispenser.

---

Ice cubes are frozen together. Use the dispenser often so that cubes do not freeze together.

---

If cubes are smaller than normal, or hollow, the *PureSource*™ filter could be clogged. Replace filter. Dispensing system operates best at 30-120 psi water pressure. Well water system pressures should fall within this range.

---

### WATER DISPENSER

---

Dispenser will not dispense water.

Household water line valve is not open. Open household water line valve. See Occurrence "Ice maker is not making any ice."

---

Freezer door is not closed. Be sure freezer door is closed.

---

*PureSource*™ filter is clogged, and must be replaced.

---

Water has an odd taste and/or odor.

Water has been in the tank for a period of time. Draw and discard 7-8 glasses of water to freshen the supply. Draw and discard an additional 3-6 glasses to completely rinse out tank.

---

Unit not properly connected to cold water line. Connect unit to cold water line that supplies water to kitchen faucet.

---

Tubing used in the household water supply and installation of unit may affect water taste and odor. For best results, use copper tubing for water connection.

---

Water has a high mineral content. Contact water treatment plant for help.

---

Water pressure is extremely low.

Have someone turn up the cut-off and cut-on pressure on the water pump system.

---

### ODORS IN REFRIGERATOR

---

Interior needs to be cleaned. Clean interior with sponge, warm water, and baking soda.

---

### OPENING/CLOSING OF DOORS/DRAWERS

---

Door(s) will not close.

Door is not designed to swing shut automatically. Close door securely.

---

Door was closed too hard, causing other door to open slightly. Close both doors gently.

---

Refrigerator is not level. It rocks on the floor when it is moved slightly. Be sure floor is level and solid, and can adequately support refrigerator. Adjust rollers as needed.

---

Floor is uneven or weak. Refrigerator rocks on the floor when it is moved slightly. Be sure floor is level and can adequately support refrigerator. Contact carpenter to correct sagging or sloping floor.

---

Refrigerator is touching the wall or cabinets. Be sure floor is level, and can adequately support refrigerator. Contact carpenter to correct sagging or sloping floor.

---

Drawers are difficult to move.

Food is touching shelf on top of drawer. Keep less food in drawer.

---

Track that drawers slides on is dirty. Clean drawer, rollers, and track.

---



## OCCURRENCE

LIGHT BULB IS NOT ON

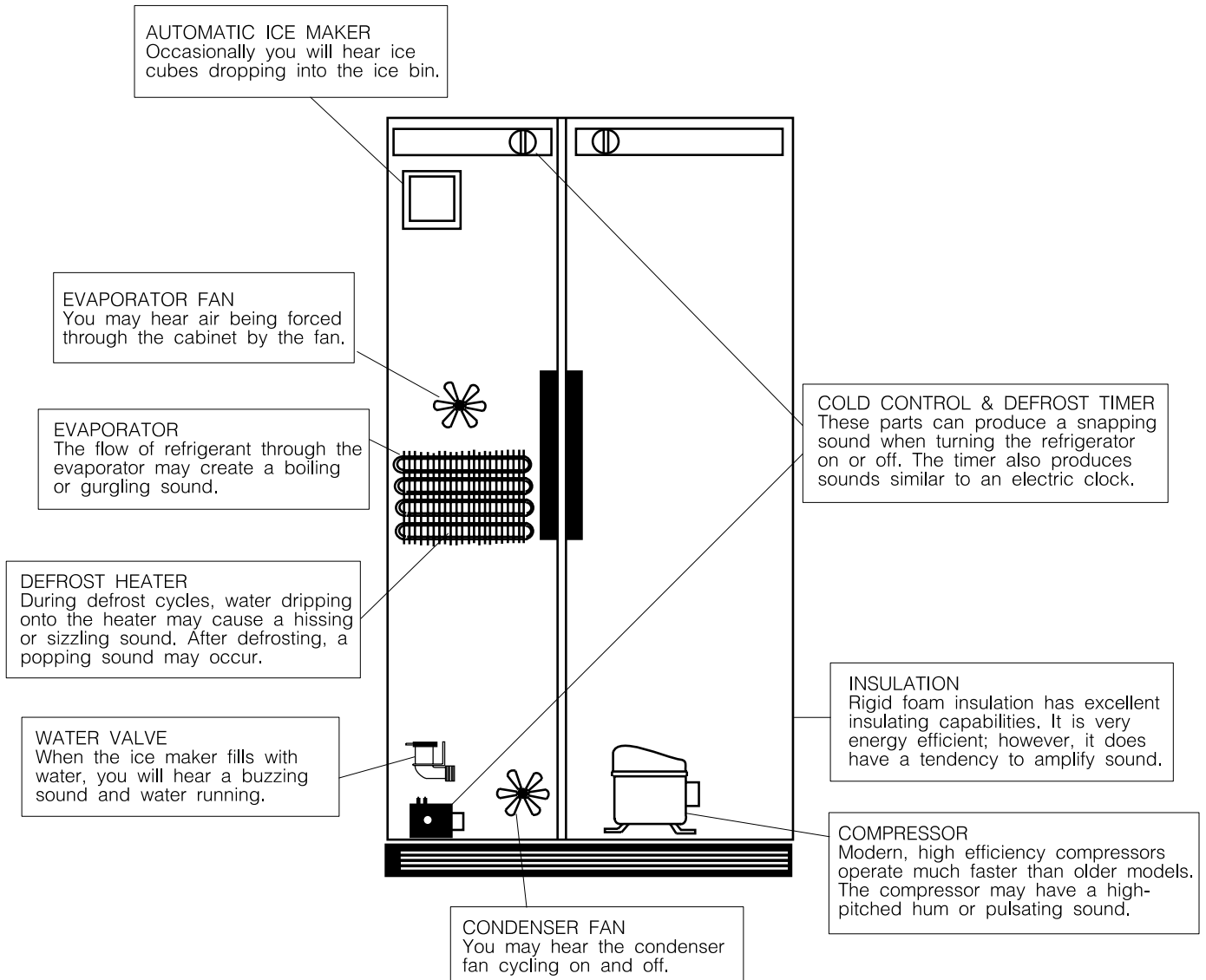
## SOLUTION

Light bulb is burned out. See "Replacing the Light Bulb" in **Care and Cleaning**.

Light switch is stuck. Light switch is located on interior door frame next to the temperature control in each compartment. Push in plunger to release.

No electric current is reaching refrigerator. See Occurrence section **RUNNING OF REFRIGERATOR**.

## Normal Operating Sounds



# FRIGIDAIRE REFRIGERATOR WARRANTY

Your Frigidaire product is protected by this warranty

	WARRANTY PERIOD	FRIGIDAIRE, THROUGH ITS AUTHORIZED SERVICERS, WILL:	THE CONSUMER WILL BE RESPONSIBLE FOR:
<b>FULL ONE-YEAR WARRANTY</b>	One year from original purchase date.	Pay all costs for repairing or replacing any parts of this appliance which prove to be defective in materials or workmanship. Excludes original and replacement PureSource Plus™ Ice & Water filter cartridges (if equipped with the filter system). Original and replacement cartridges are warranted for 30 days (parts only).	Costs of service calls that are listed under <b>NORMAL RESPONSIBILITIES OF THE CONSUMER.</b> *
<b>LIMITED 2ND - 5TH YEAR WARRANTY (Cabinet Liner and Sealed System)</b>	Second through fifth years from original purchase date.	Repair or replace any parts in the cabinet liner or Sealed Refrigeration System (compressor, condenser, evaporator, drier and tubing) which prove to be defective in materials or workmanship.	Costs for pick up and delivery of the appliance required because of service. Costs for labor, parts and transportation other than with respect to the cabinet liner or Sealed Refrigeration System.
<b>LIMITED WARRANTY (Applicable to the State of Alaska)</b>	Time periods listed above.	All of the provisions of the full warranties above and the exclusions listed below apply.	Costs of the technician's travel to the home and any costs for pick up and delivery of the appliance required because of service.

## ADDITIONAL COVERAGE FOR "THROUGH-THE-DOOR" ICE AND WATER DISPENSER AND/OR ICE ONLY DISPENSER MODELS:

	WARRANTY PERIOD	FRIGIDAIRE, THROUGH ITS AUTHORIZED SERVICERS, WILL:	THE CONSUMER WILL BE RESPONSIBLE FOR:
<b>FULL TWO-YEAR WARRANTY (Ice Maker and Dispensing System)</b>	During the second year from original purchase date.	Repair or replace, without charge, any parts of the Ice Maker and/or dispensing system which proves to be defective in materials or workmanship, and all labor associated with such repair.	Costs for pick up and delivery of the appliance required because of service. Costs for labor, parts and transportation other than with respect to the Ice Maker and dispensing system.

Your appliance is warranted by White Consolidated Industries, Inc. We authorize no person to change or add to any of our obligations under this warranty. Our obligations for service and parts under this warranty must be performed by Frigidaire or an authorized Frigidaire servicer.

### \* NORMAL RESPONSIBILITIES OF THE CONSUMER

**This warranty applies only to products in ordinary household use, and the consumer is responsible for the items listed below:**

1. Proper use of the appliance in accordance with instructions provided with the product.
2. Proper installation by an authorized servicer in accordance with instructions provided with the appliance and in accordance with all local plumbing, electrical and/or gas codes.
3. Proper connection to a grounded power supply of sufficient voltage, replacement of blown fuses, repair of loose connections or defects in house wiring.
4. Expenses for making the appliance accessible for servicing, such as removal of trim, cupboards, shelves, etc., which are not a part of the appliance when it was shipped from the factory.
5. Damages to finish after installation.
6. Replacement of light bulbs and/or fluorescent tubes (on models with these features).

### EXCLUSIONS

**This warranty does not cover the following:**

1. CONSEQUENTIAL OR INCIDENTAL DAMAGES SUCH AS PROPERTY DAMAGE AND INCIDENTAL EXPENSES RESULTING FROM ANY BREACH OF THIS WRITTEN OR ANY IMPLIED WARRANTY.  
*Note: Some states do not allow the exclusion or limitation of incidental or consequential damages, so this limitation or exclusion may not apply to you.*
2. Service calls which do not involve malfunction or defects in workmanship or material, or for appliances not in ordinary household use. The consumer shall pay for such service calls.
3. Damages caused by services performed by servicers other than Frigidaire or its authorized servicers; use of parts other than genuine Frigidaire Home Products parts; obtained from persons other than such servicers; or external causes such as abuse, misuse, inadequate power supply or acts of God.
4. Products with original serial numbers that have been removed or altered and cannot be readily determined.

### IF YOU NEED SERVICE

Keep your bill of sale, delivery slip, or some other appropriate payment record. The date on the bill establishes the warranty period should service be required. If service is performed, it is in your best interest to obtain and keep all receipts. This written warranty gives you specific legal rights. You may also have other rights that vary from state to state. Service under this warranty must be obtained by contacting Frigidaire Home Products:

800•944•9044  
Frigidaire Home Products  
P.O. Box 212378  
Augusta, GA 30917



Product features or specifications as described or illustrated are subject to change without notice. All warranties are made by White Consolidated Industries, Inc. This warranty applies only in the 50 states of the U.S.A. and Puerto Rico.

---

## Service Information (Canada)

To avoid unnecessary cost and inconvenience, make a few simple checks before calling for service. Common occurrences and their solutions can be found in the Avoid Service Checklist. Be sure you have followed the instructions in this manual.

If you are unable to locate the cause of a problem, call for service. Insist on factory service by an authorized FRIGIDAIRE PARTS AND SERVICE depot.

### **FRIGIDAIRE PARTS AND SERVICE**

All Frigidaire appliances are backed by FRIGIDAIRE PARTS AND SERVICE, one of Canada's largest parts and service networks.

The Frigidaire reputation means you can enjoy complete professional service from one of our hundreds of trained technicians across the country.

#### **FRIGIDAIRE PARTS AND SERVICE**

Frigidaire Canada  
7075 Ordan Drive  
Mississauga, Ontario  
L5T 1K6

**Place the name, address and telephone number** of your service depot in the spaces below.

---

---

---

---

*Product and feature specifications as described or illustrated are subject to change without notice.*

# WARRANTY (CANADA)

## REFRIGERATORS (FROST FREE)

### WARRANTOR :

Frigidaire Home Products  
7075 Ordan Drive  
Mississauga, Ontario  
L5T 1K6

For service under this warranty, contact your dealer/retailer, authorized FRIGIDAIRE PARTS AND SERVICE depot, or:

### FRIGIDAIRE HOME PRODUCTS PARTS AND SERVICE

7075 Ordan Drive  
Mississauga, Ontario  
L5T 1K6  
Tel: (905) 565-9200  
Fax: (905) 565-0937

This refrigerator is a branded product of Frigidaire Canada.

### WARRANTY PERIOD:

For two years after purchase by the original consumer/owner:

### WARRANTOR WILL THROUGH ITS AUTHORIZED SERVICE DEPOT:

Pay cost to repair or replace any defective parts (including service and labour charge). Excludes original and replacement PureSource™ Ice & Water Filter cartridges (if equipped). Original and replacement cartridges are warranted for 30 days (parts only).

For ten years after purchase by the original consumer/owner:

Pay cost (including service and labour charge) to repair or replace defective parts of the sealed refrigeration system consisting of the compressor, evaporator, condenser, interconnecting tubing drier and refrigeration charge.

### WARRANTY APPLIES TO:

- a) Products purchased and installed in Canada for personal single family household use.
- b) Defects resulting or arising out of the manufacturing process.
- c) Products bearing legible manufacturer's model and serial numbers.
- d) Replacement parts only for the remainder of the original warranty.

### WARRANTY DOES NOT APPLY TO:

- a) Transportation damage.
- b) Supply and replacement of porcelain, fuses, glass and light bulbs.
- c) Parts and service supplied or obtained from other than FRIGIDAIRE PARTS AND SERVICE or FRIGIDAIRE PARTS SERVICE authorized depots.
- d) Proper installation, control setting and care of finish.

### CONSUMER/OWNER RESPONSIBILITY:

- a) To provide proof of the original date of purchase by means of a bill of sale or payment.
- b) Supply and replacement of porcelain, fuses, glass and light bulbs.
- c) To ensure proper power supply and connection of the appliance to same.
- d) Proper installation, control setting and care of finish.

This warranty is in addition to any statutory warranties contained in any applicable legislation. The terms and conditions of this warranty are not intended to exclude or limit your rights under those statutes. The warrantor however reserves the right to charge transportation and travelling costs for distances in excess of 48 kilometres (30 miles) from the nearest FRIGIDAIRE PARTS AND SERVICE authorized service depot.

This warranty plus the statutory warranties mentioned are the only warranties given to the consumer/owner for this product.

