

# Installation Instructions

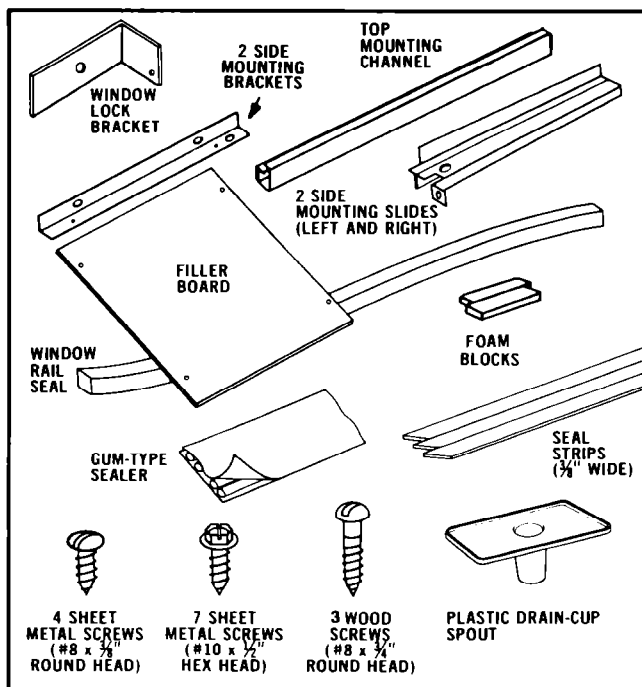
- To help avoid any installation problems and to help assure trouble-free duty of your new air conditioner, read these installation instructions and Things you Ought to Know electrical requirements sheet *before* installing your unit.
- Because this air conditioner weighs between 125 to 200 pounds, have somebody help you install your new unit and be sure you both use proper lifting methods to avoid personal injury.
- Inspect the condition of the window you'd like to install your air conditioner in. Be sure it will support the weight of the unit.

## CAUTION:

- Be sure air conditioner does not fall out of window during installation.
- Handle the air conditioner with care. Watch out for the sharp metal fins on the front and rear coils.

THIS APPLIANCE MUST BE INSTALLED ACCORDING TO ALL APPLICABLE CODES AND ORDINANCES

**1 Unpack parts** (illustrated below) before installing your air conditioner. Check to be sure you have all of the parts to do the job—if any are missing, contact your nearest Sears Store. A normal installation can be made with a screwdriver, saw, small level, pocket knife, tape measure, and a drill with a  $\frac{3}{32}$ " drill bit.



**2 Pick the right window.** First, decide what room(s) you want to cool. Then choose a window that lets the air-conditioned air flow freely and directly into the room(s) you want cooled. Remember, air does not move around corners.

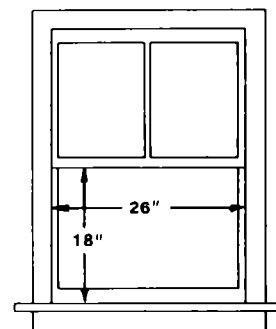
**A.** Choose a window that's also near an electrical outlet. (Refer to ELECTRICAL REQUIREMENTS on reverse side of THINGS YOU OUGHT TO KNOW sheet for wall outlet and wiring needed.)

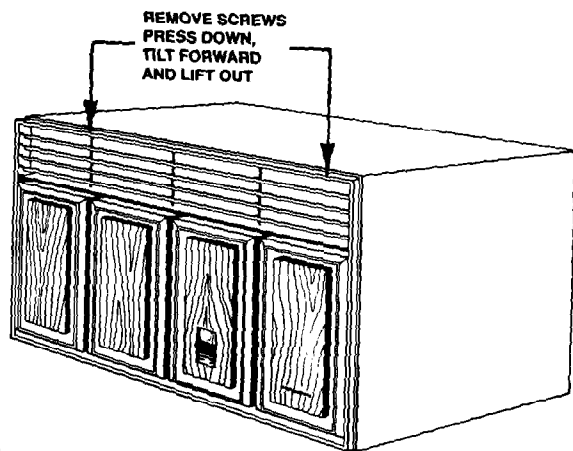
**B. Do not use an extension cord.**

**C.** The window in which you place your air conditioner must have an opening at least 26 inches wide and at least 18 inches tall.

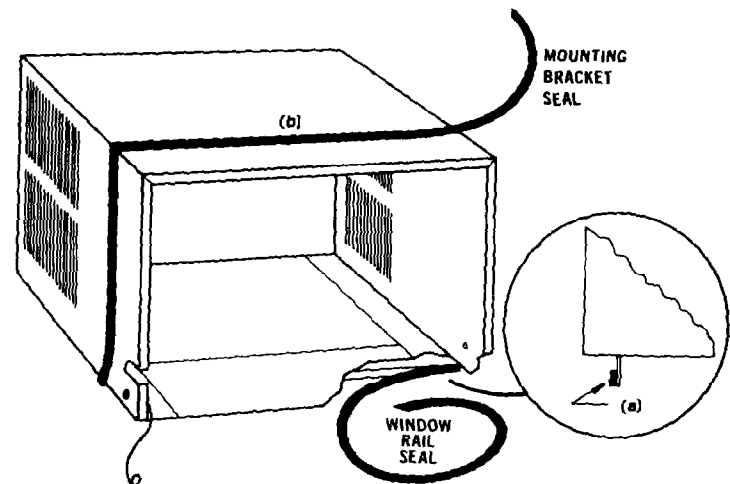
**D.** The installation parts supplied are for double-hung windows up to 40 inches in width.

**E.** For a wide installation up to 54 inches, a special wide-window kit (see Repair Parts List) is available as a parts item.

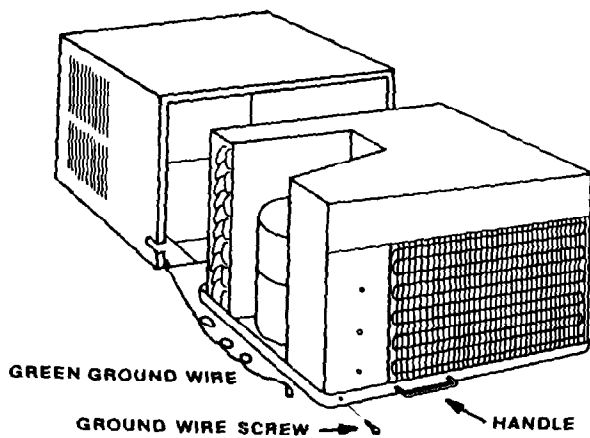




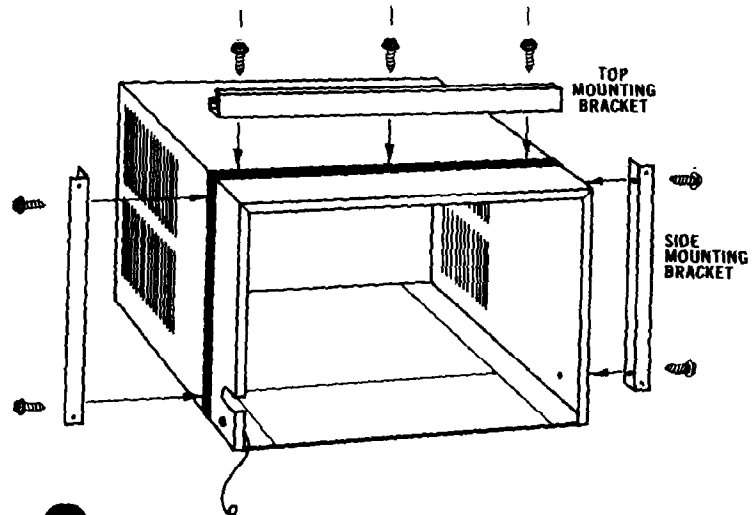
### 3 Remove front



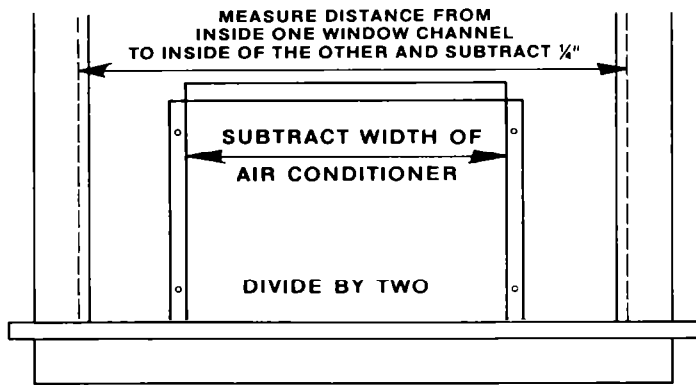
### 5 Attach seal strips to cabinet. Place $\frac{3}{8}$ "-wide, self-sticking strip on window side of bottom flange (a). Now apply $\frac{3}{8}$ "-wide seal strip over the center line of pre-drilled holes for top and side mounting brackets (b).



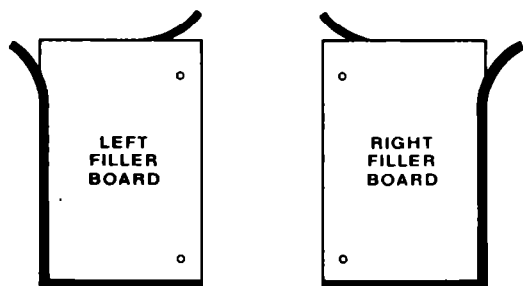
### 4 Slide unit out of cabinet. First, take off the green ground wire at the left-front corner of base of unit by removing screw (save screw for reuse later). Now slide unit out of cabinet by pulling out on handle at bottom.



### 6 Attach side mounting brackets to sides of cabinet by using four hex-head sheet metal screws. Punch holes in seal strip before driving screws through it. Be sure flange of each side mounting bracket faces inside. Now attach top mounting bracket to cabinet by using three hex-head sheet metal screws. Again, be sure bracket flange is facing inside of house.

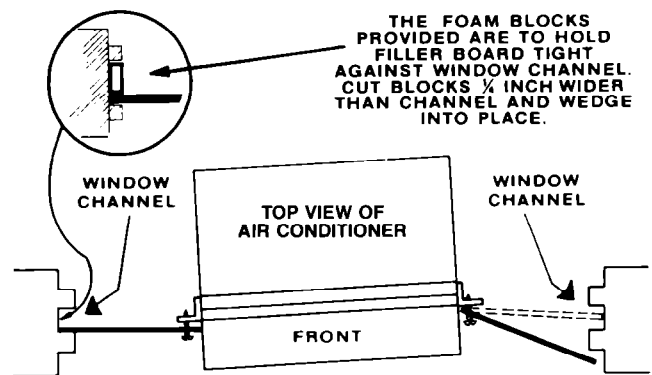


**7 Measure and cut filler board** to proper sizes. First, measure the distance from inside one window channel to the inside of the other channel and subtract  $\frac{1}{4}$ ". Now subtract the width of the air conditioner and divide by 2. This will give you the width to cut each filler board. Be sure to cut the filler board down the mid-section of its longest measurement. Because the filler boards will be equal in width, they will center air conditioner in your window.

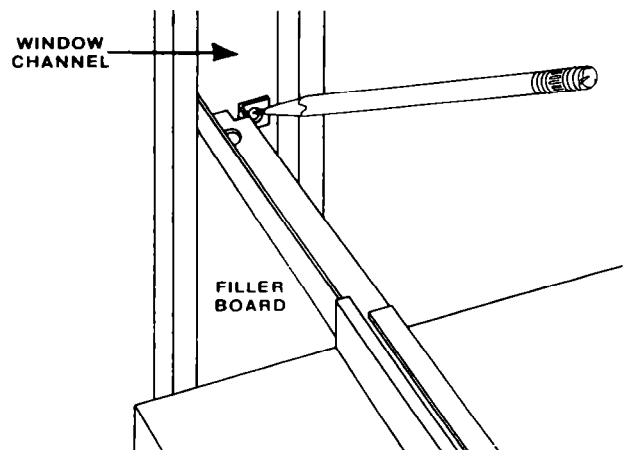


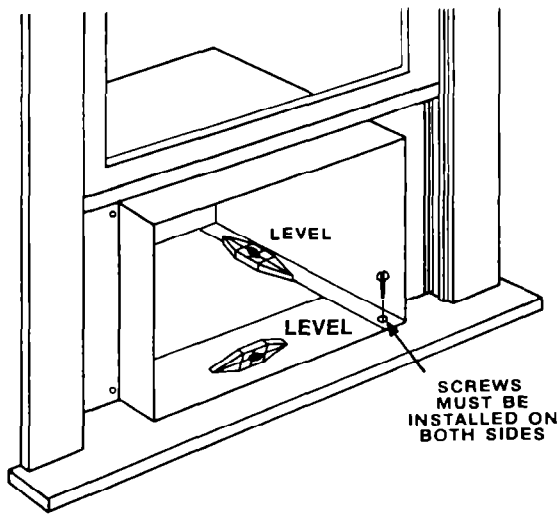
**8 Apply seal strips and attach filler boards.** Decide which will be your left and right filler boards. The holes on each board should line up with the holes in the side mounting brackets. Each filler board should also extend about  $\frac{1}{2}$ " above the top edge of the air conditioner cabinet. Now apply the  $\frac{3}{8}$ "-wide seal strips on the room side of each filler board as shown (i.e. along the bottom edge and window channel edge). Also place a seal strip along the top outside edge of each filler board. Now attach the filler boards to the side mounting brackets with four,  $\frac{3}{8}$ ", round-headed sheet metal screws. Tighten the screws only loosely, so the filler boards can be moved back and forth.

**9 Insert side mounting slides** all the way into top mounting channel.



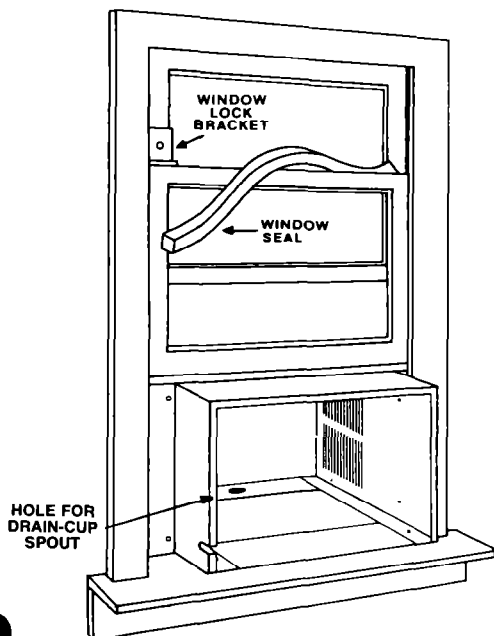
**10 Place cabinet in window** by turning it to one side to get one filler board into window channel. Now place other filler board into other window channel. Reaching through window opening, push filler boards from outside as far toward you as they will go. Extend the mounting slides outward into the window channels on both sides. Pull the cabinet toward you to position the side mounting slides as far forward in the window channels as possible. Now mark and make a  $\frac{3}{32}$ " pilot hole for each wood screw used to secure the slides in the window channels. Use the foam blocks provided to hold the filler board against the inside window frame. See Figure above. (CAUTION: BE SURE CABINET DOES NOT FALL OUT OF WINDOW.)





## 11 Lower window and level air conditioner.

Lower the window firmly behind the top mounting channel. Leveling the cabinet is not required in a normal installation since the proper slope is designed into the product. However, be sure you have about a one-half bubble ( $\frac{5}{8}$ " per foot) downward tilt to the outside for proper water drainage. Reposition or shim cabinet to provide the proper tilt or side-to-side leveling. Now tighten all four filler-board screws. Finally, make two  $\frac{3}{32}$ " pilot holes into the window sill, using the holes in the cabinet as a guide. Use two wood screws to secure the bottom of the cabinet to the window sill. (CAUTION: BE SURE CABINET DOES NOT FALL OUT OF WINDOW.)



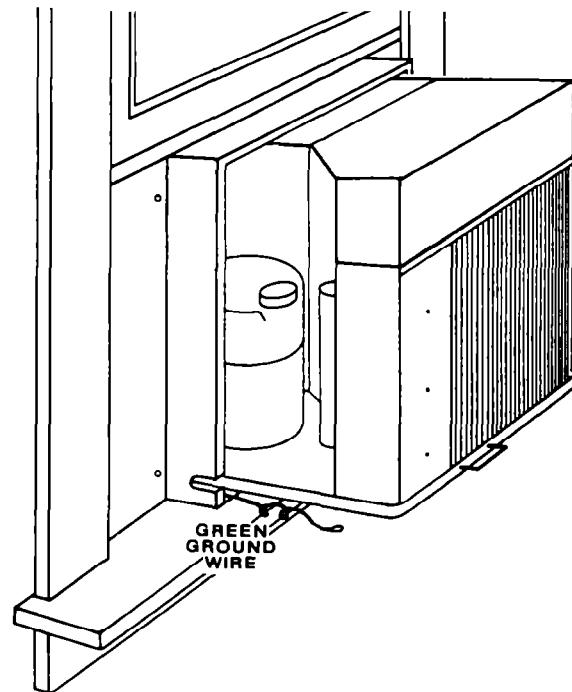
## 12 Install window seal and window lock bracket.

Press foam window seal into place and cut to proper length. Install lock bracket using wood screws. Make a  $\frac{3}{32}$ " pilot hole first. (CAUTION: WINDOW LOCK BRACKET *MUST* BE INSTALLED AT ALL TIMES TO BE SURE AIR CONDITIONER DOES NOT FALL OUT OF WINDOW.)

REMOVE BRACKET ONLY WHEN YOU WISH TO REMOVE AIR CONDITIONER FROM WINDOW.) Seal small openings around installation with gum-type sealer.

## 13 Install plastic drain-cup spout

into hole at rear of cabinet. Spout should be facing downward through hole. OPTIONAL: During high humidity, water may drip from the outside of your air conditioner onto the ground below. If your air conditioner is installed where this is undesirable, you can direct the water to a more suitable spot by simply attaching a  $\frac{5}{8}$ "-inside-diameter, thin-walled hose to the drain spout at rear of cabinet.



## 14 Place air conditioner into cabinet.

Do not push against sharp fins and plastic parts. Attach green ground wire to the left-front corner of unit base by using retaining screw. (CAUTION: KEEP WIRE CONNECTED WHENEVER AIR CONDITIONER IS IN CABINET. IT IS THERE FOR YOUR OWN ELECTRICAL SAFETY.)

## 15 Attach front by placing bottom edge on clips and pushing top down, then in and up. Replace the two (2) screws that attach the front to the cabinet.

**REFER TO ELECTRICAL REQUIREMENTS ON "THINGS YOU OUGHT TO KNOW" SHEET AND OWNER'S MANUAL FOR ELECTRICAL AND STARTING INSTRUCTIONS.**

# Through-the-wall Installation Instructions

It is your responsibility and obligation to have this product installed by qualified technicians familiar with Through-The-Wall Room Air Conditioner Installations.

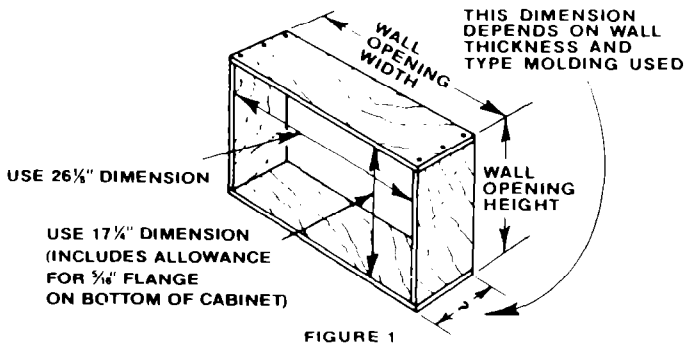


FIGURE 1

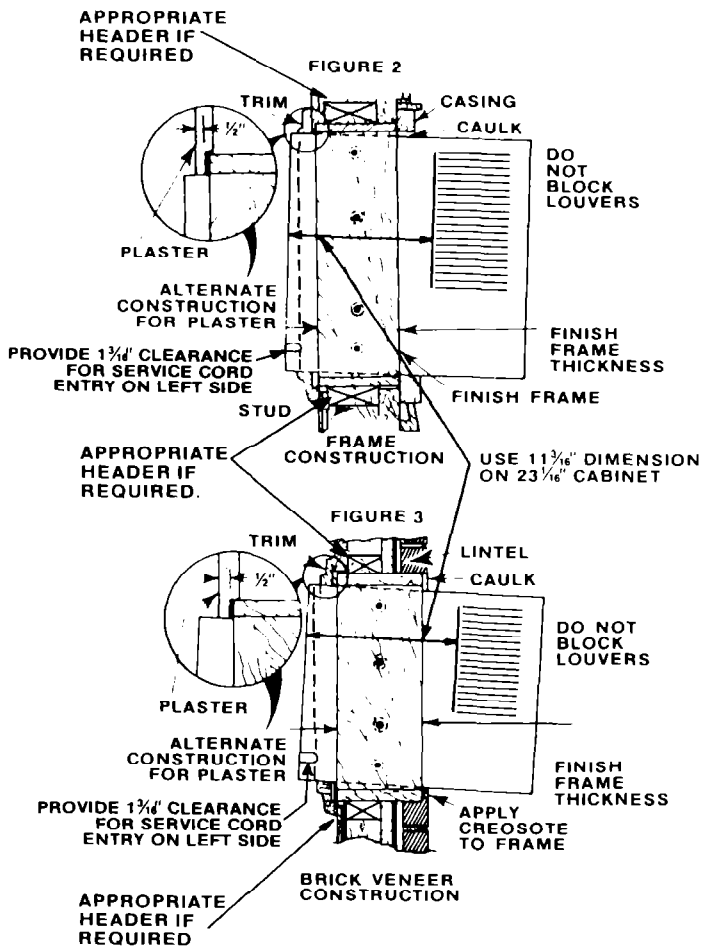


FIGURE 2

FIGURE 3

**SEE ELECTRICAL REQUIREMENTS ON "THINGS YOU OUGHT TO KNOW" SHEET AND OWNER'S MANUAL FOR ELECTRICAL AND STARTING INSTRUCTIONS.**

Make sure you have all the tools and supplies to complete your installation. Now follow these steps to install your air conditioner through the wall of your home.

- A. Select the right place for installing your air conditioner. Choose the type of molding you want to go around the room side of the cabinet. Your choice affects the finish frame line-up with the inside wall. When using a wood, metal or plastic molding, the finish frame should almost line up with the inside wall. If the wall is plastered to the cabinet and no molding is used, the finish frame must be set into the wall by  $\frac{1}{2}$ " (see Figure 2 for frame construction or Figure 3 for brick veneer construction). Cut through two studs for support.
- B. Provide an opening through the wall for a finish frame. Observe all local governing codes and ordinances. For wall opening dimensions, use those shown in Figure 1 and add wood frame thickness (use 1" lumber or heavier). When you decide finish frame thickness, be sure you do not cover side cabinet louvers. A 4" space between louvers on cabinet sides and adjoining wall will allow proper air-flow into air conditioner.
- C. Construct the finish frame. Apply creosote or something equal to the outside to protect the wood.
- D. Install the finish frame in the wall opening. Square and level frame and nail it well to the studs.
- E. Pull air conditioner unit out of exterior cabinet (read steps 3 and 4 of window installation instructions).
- F. Move outside cabinet through the wall opening. Leave overhang into the room at the top of cabinet (after allowing for trim) for service cord entry clearance on left side of cabinet. For proper outside water drainage, shim or reposition cabinet to provide the proper downward tilt to the outside ( $\frac{1}{2}$  bubble or  $\frac{1}{4}$ ") and side-to-side leveling.
- G. Fill all the spaces between the cabinet and the finish frame with insulation.
- H. Drill holes in the cabinet and attach it well to finish frame. Use ten #10 x 1" wood screws (four screws for each side and two screws for the top; not included).
- I. Install plastic drain-cup spout (read step 13 of window installation instructions).
- J. Insert air conditioner into cabinet and attach front (read steps 14 and 15 of window installation instructions).
- K. Caulk all outside wall openings around cabinet.
- L. If needed, install decorative molding around room side of cabinet.

**REFER TO ELECTRICAL REQUIREMENTS ON "THINGS YOU OUGHT TO KNOW" SHEET AND  
OWNER'S MANUAL FOR ELECTRICAL AND STARTING INSTRUCTIONS.**