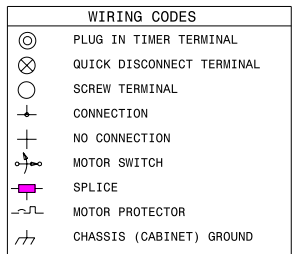
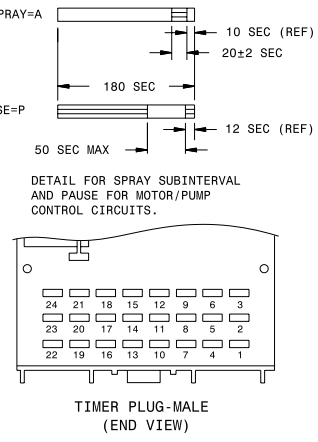
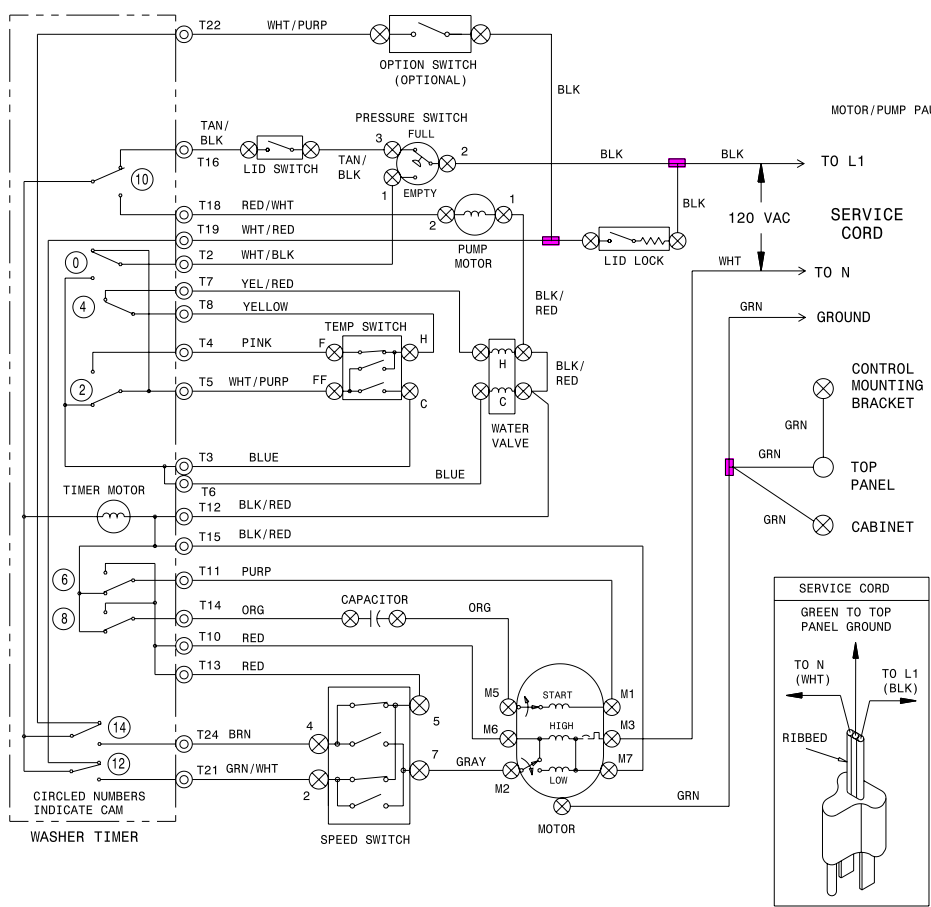
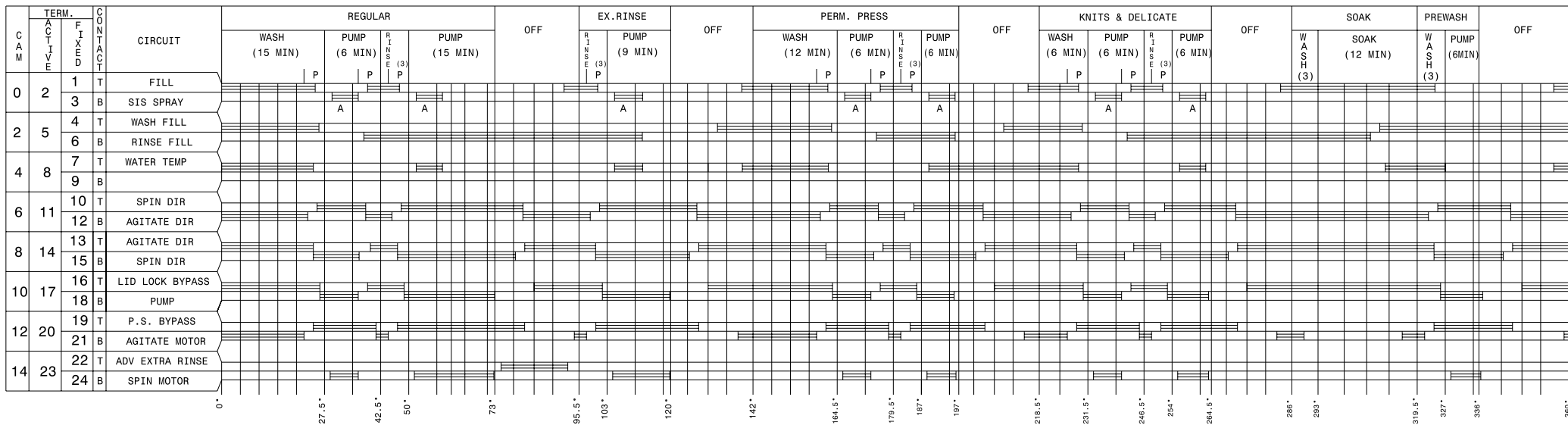


CAUTION: DISCONNECT ELECTRIC CURRENT BEFORE SERVICING

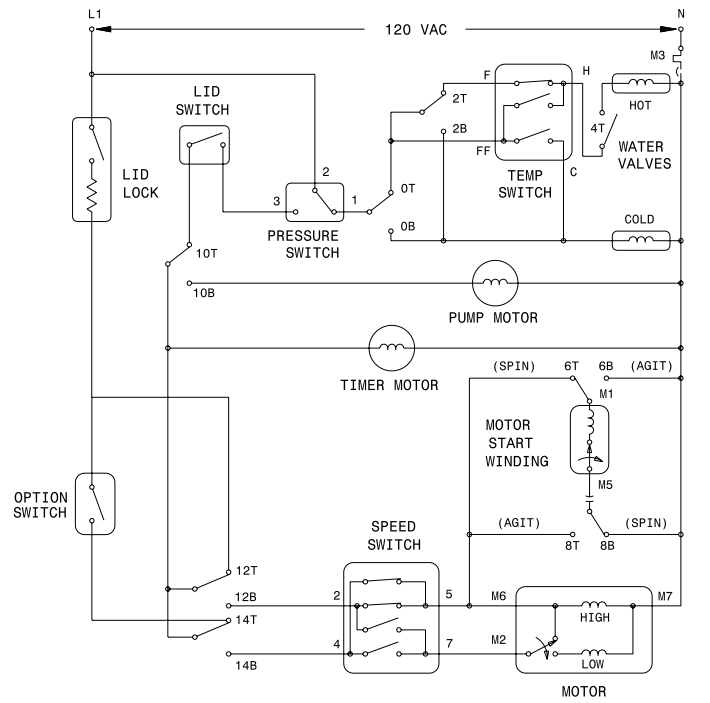


TEMPERATURE SWITCH CIRCUIT			
	F-H	FF-H	FF-C
WASH/FINAL SPRAY			X
COLD/COLD			X
WARM/COLD	X		X
HOT/COLD	X		
WARM/WARM (OPT)		X	X

OPT=OPTIONAL X=CLOSED

SPEED SWITCH CIRCUIT				
	2-5	2-7	4-7	4-5
N/N	X			X
N/S	X		X	
S/N (OPT)		X		X
S/S		X	X	

OPT=OPTIONAL N=NORMAL S=SLOW X=CLOSED



NOTE:
SUFFIX INDICATES TIMER SWITCH CONTACTS
T= TOP
B= BOTTOM
— = OPTIONAL ON SOME MODELS