

Installation Instructions

for Slider Casement

NOTE: These instructions describe installation in a typical wood framed window with a wood SLIDE-BY sash, or installation in a metal CASEMENT window. Modification may be necessary when installing in windows made differently than those shown in these instructions.

A high window accessory kit EA 103W is available for window heights up to 62" (1575mm).

TABLE OF CONTENTS

| SUBJECT | PAGE |
|---------------------------------|------|
| Meeting Electrical Requirements | 1 |
| Electrical Connection | 2 |
| Preparing for Installation | 2 |
| Sliding Window Installation | 4 |
| Casement Window Installation | 5 |
| Installation in Wood Window | 6 |

Meeting Electrical Requirements

⚠ WARNING

Electrical Shock and Personal Injury Hazard

- Electrical ground is required on this appliance.
- **DO NOT** ground to a gas line.
- If cold water pipe is interrupted by plastic, non-metallic gaskets, or other insulating materials, **DO NOT** use for grounding.
- Check with a qualified electrician if you are in doubt as to whether the appliance is properly grounded.
- **DO NOT** modify power supply cord plug. If it does not fit outlet, have a proper outlet installed by a qualified electrician.
- **DO NOT** have a fuse in the neutral or grounding circuit. A fuse in the neutral, or grounding circuit could result in an electrical shock.
- **DO NOT** use an extension cord with this appliance.

Failure to follow these instructions could result in electrical shock, serious injury, or death.

OBSERVE ALL LOCAL GOVERNING CODES AND ORDINANCES.

DO NOT, UNDER ANY CIRCUMSTANCES, REMOVE THE POWER SUPPLY CORD GROUNDING PRONG.

NOTE: If codes permit, and a separate grounding wire is used; it is recommended that a qualified electrician determine that the grounding path is adequate and not interrupted by plastic, non-metallic gaskets, or other insulating materials.

RECEPTACLE WIRING

Receptacle wiring should be a minimum of 14 gauge. Use copper wire only. It is your responsibility to provide proper and adequate receptacle wiring, installed by a qualified electrician.

ELECTRICAL REQUIREMENTS

A 115 volt (103 minimum, 126 maximum), 60 Hertz, AC only, 15 ampere fused electrical supply is required. A time delay fuse or time delay circuit breaker is also required. A separate circuit, serving only this appliance, **MUST** be provided.

Electrical Connection

Electrical ground is required on this appliance.

Recommended grounding method:

For your personal safety, this appliance must be grounded. This air conditioner includes a power supply cord with a 3-prong grounding plug. To minimize possible electrical shock hazard:

- cord must be plugged into a mating 3-prong grounding-type wall receptacle,
- must be grounded in accordance with National Electrical Code (ANSI/NFPA 70-latest version) **and**
- all local codes and ordinances.

If a mating 3-prong grounding-type wall receptacle is not available, it is the responsibility of the consumer to have a properly grounded 3-prong wall receptacle installed by a qualified electrician.

NOTE: A damaged power supply cord CANNOT be repaired-it MUST be replaced with a new power supply cord obtained from the product manufacturer.

NOTE: The rating plate on the unit contains electrical and other technical data. The rating plate is located on the right side of the unit.

⚠ WARNING Avoid fire hazard or electric shock. Do not use an extension cord or an adaptor plug. Do not remove any prong from the power cord.

Grounding type wall receptacle



Do not, under any circumstances, cut, remove, or bypass the grounding prong.

Power supply cord with 3-prong grounding plug and current detection device

Preparing for Installation

Installation Tips

For wood-frame casement windows: It may be necessary to construct a frame, using at least 1-inch thick wood, with a 15-1/2-inch wide opening.

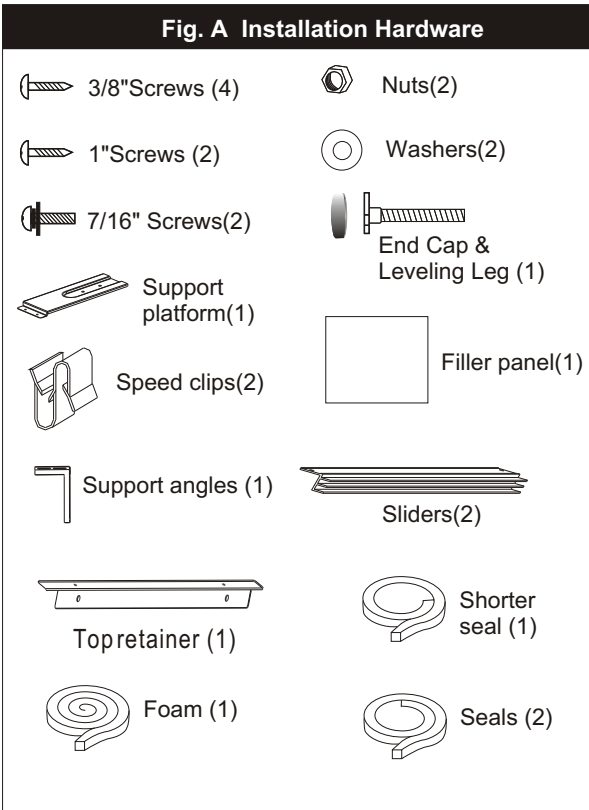
For brick or cement building construction: It may be necessary to put a wood stool strip under AC, for mounting purposes.

Tools Required

- Flat-head screwdriver
- Phillips-head screwdriver
- Carpenter's level
- Tape measure
- Fine tooth saw
- Electric or hand drill
- Knife and scissors
- Pencil

1. Make sure you have all the necessary parts.

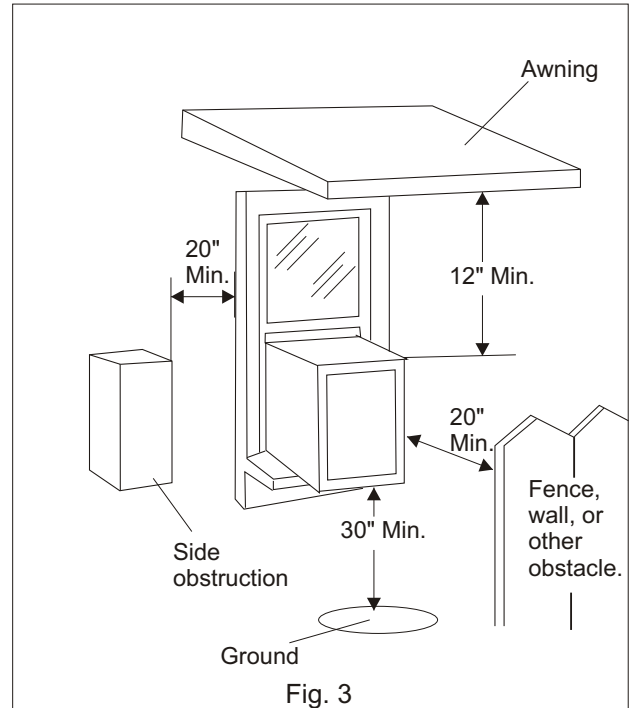
Installation kit contents:



3. Choose the proper window location

Choose a window that allows the cooled air to flow freely and directly into room(s) you wish to cool. Remember, it is difficult to move air around corners.

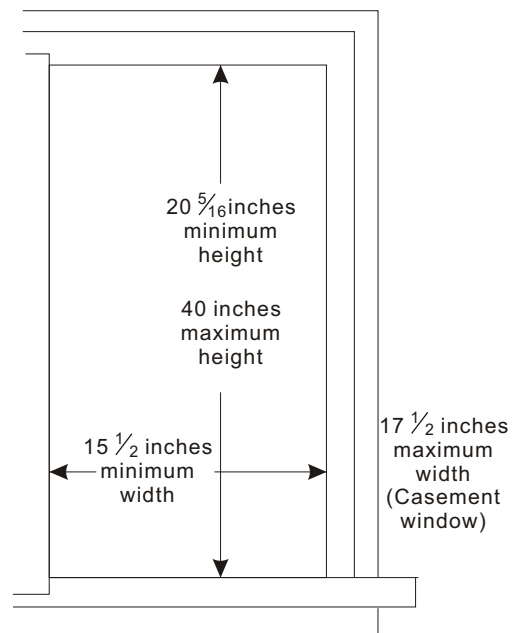
As shown below:



2. Choose a proper sized window, as shown right.

- 15-1/2 inches minimum width
- 17-1/2 inches maximum width (for casement windows)
- 21-1/4 inches minimum height (with window panel retainer)
- 20-5/16 inches minimum height (window panel retainer removed)
- 40 inches maximum height

NOTE: Height measurement must be of a clear opening above mounting platform. In some cases, due to a variety of stop and track arrangements, the above dimensions may vary slightly. If necessary, installation can be made by alternating window jambs. (See Alternate Window Jamb Applications.)
(continued)



Sliding Window Installation

1. Choose the installation site. It is imperative that window frame assembly and side of structure are adequate to support weight of unit. Reinforce if necessary.
2. Slide open one window sash to install support platform.
3. Loosely attach support angle to bottom of support platform using two 7/16" g machine screws, flat washers, and nuts. (See fig. A)
4. Place support platform against lower window track and firmly against vertical edge of window frame.
5. Attach support platform to window sill using three 1" long self-tapping screws. To overcome interference of support platform with window track or storm window, securely attach a 2" wide shim strip to the window sill. Strip should be as long as width of support platform and flush with back edge of sill. Thickness of strip should be controlled by amount of interference. (See fig. B)
6. Pull support angle against outside of structure. Tighten two 7/16" long machine screws on top of support platform.
7. Adjust leveling bolt to position support angle in a level plane. This will allow for proper unit angle. Tighten leveling bolt locknut.

Important: Unit must be level or tilted back slightly to facilitate proper condensate drainage. (See fig. C)

Caution: Do not drill a hole in bottom pan. Unit is designed to operate with approximately 1/2" of water in bottom pan.

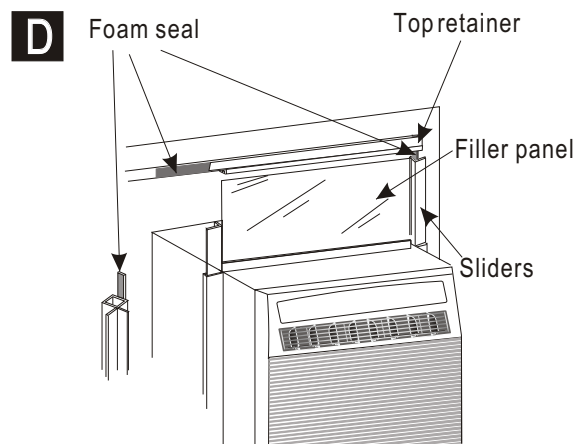
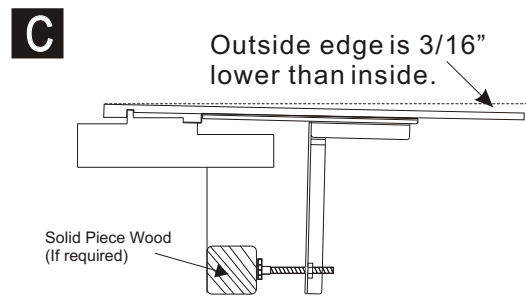
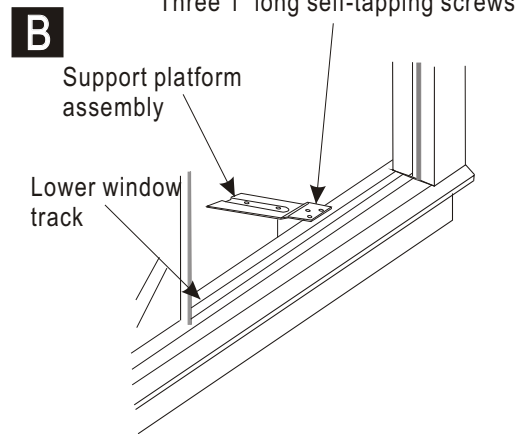
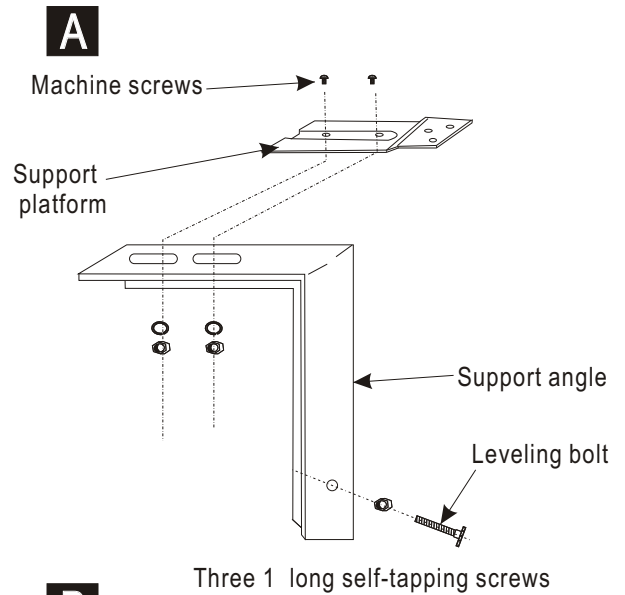
8. Cut two pieces of adhesive back foam seal to height of window opening. Remove backing and apply to vertical inside edges of window frame and sliding sash that will rest against unit. (See fig. D)

9. Slide unit onto support platform. Be sure unit side channel butts against vertical edge of window frame.

Note: If unit side channel does not fit securely, remove unit and readjust leveling bolt.

10. Drill two 1/8" holes through window channel frame in alignment with existing holes in bottom bar. Install two 3/8" long self-tapping screws through these holes. If window channel frame is not tall enough to use existing holes, drill new holes off to the side of the existing holes to attach the unit bottom bar to the support platform. Unit should be firmly anchored to window channel frame or support platform. (See fig. E)

11. Slide inside window sash closed. Be sure vertical edge of inside window sash is pressed firmly against side of unit cabinet. Cut remaining adhesive back foam seal to width of window opening. Remove backing and apply to top inside edge of window frame. (See fig. D)



12. Install speed clips on top and bottom inside edge of window to provide locking. (See fig. F)
13. Using supplied plastic foam seal, cut to proper length, insert between inside window sash and outside window. (See fig. F)
14. Place top retainer on top edge of filler panel, then place the bottom edge of filler panel into groove of bottom retainer (mounted on unit). Filler panel may be trimmed with knife or scissors to fit window height. (See fig. D)
15. Slide sliders upward making sure filler panel aligns in sliders.
16. With sliders up against top retainer, drill 1/8" hole through window frame in alignment with existing hole in slider. Install 3/8" long self-threading screw in hole. Repeat for other slider.
17. Check all seals and plug for air leaks around unit. Use sealant to fill any minor openings.

Casement Window Installation

This air conditioner is designed to fit into most casement type windows. As shipped from factory, unit will fit into a minimum window opening 15 1/2" wide and 22" high. The preferred method of installation is through a closed or stationary window. Installation in an open window frame is also possible where open window can be secured to outside of building or removed completely.

1. Closed or stationary window: Install unit in stationary sash to avoid crank handles or window latches. If unit is to be installed in or next to a movable sash, it may be necessary to remove catch, handle or both. Remove crank handle and secure window in closed position. Remove glass panes and separating strips to a height sufficient to mount unit.
2. Open window frame: Remove crank mechanism and catch handles. Fold window sash back against exterior wall of building and secure, or remove completely where possible.
3. A filler panel will be required at side of unit when installed in windows having width greater than 15 1/2". Filler panel should be made from 3/4" thick wood securely anchored to one side of opening so that 15 1/2" wide opening is provided. Filled panel should run full length of window. Paint to suit.
4. Install unit in same manner as described for sliding windows.

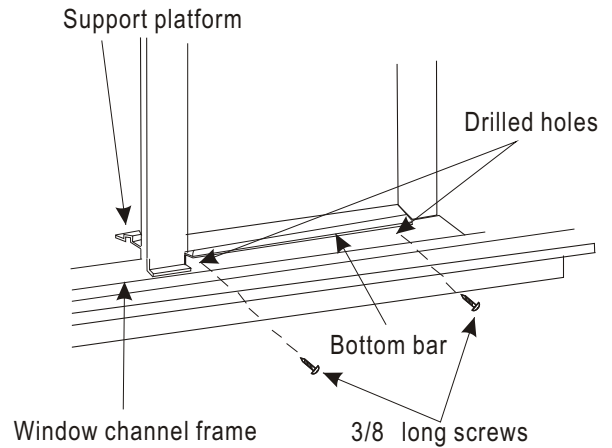
Installation in wood sliding or wood casement windows

1. For wood frame casement windows, it is necessary to construct a frame, using at least 1" thick wood with a 15 1/2" wide opening.
2. Paint frame and fasten it securely, sealing it into window opening.
3. Install unit into frame following procedures for metal sliding and casement windows.

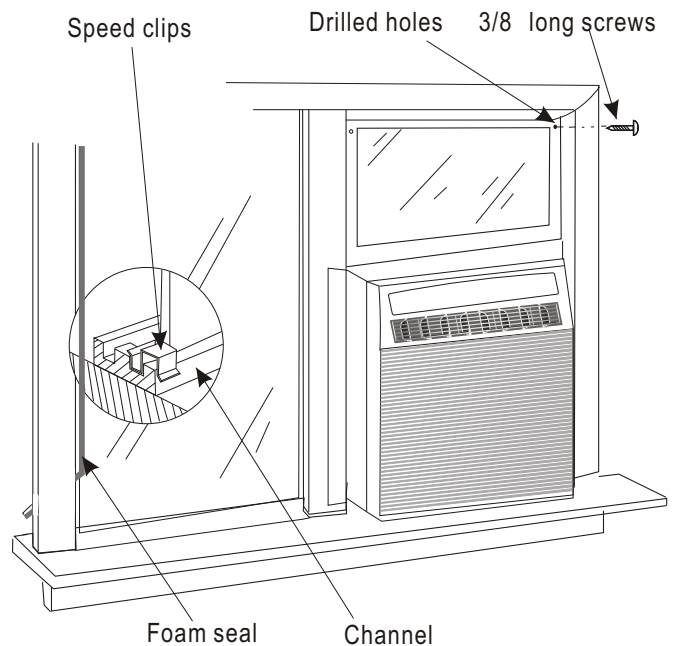
These installations are also typical, and since styles and sizes of casement windows vary widely, it is advisable to have unit installed by someone skilled in this type of installation. The dealer selling these units can recommend or supply qualified people to install your new unit.

The above installations are intended to be permanent, and when installed in apartment or rental properties, permission to make the above modifications should be obtained from owners or landlords of buildings prior to installation of unit.

E



F



Caution: Do not block air circulation to outside louvers of cabinet.