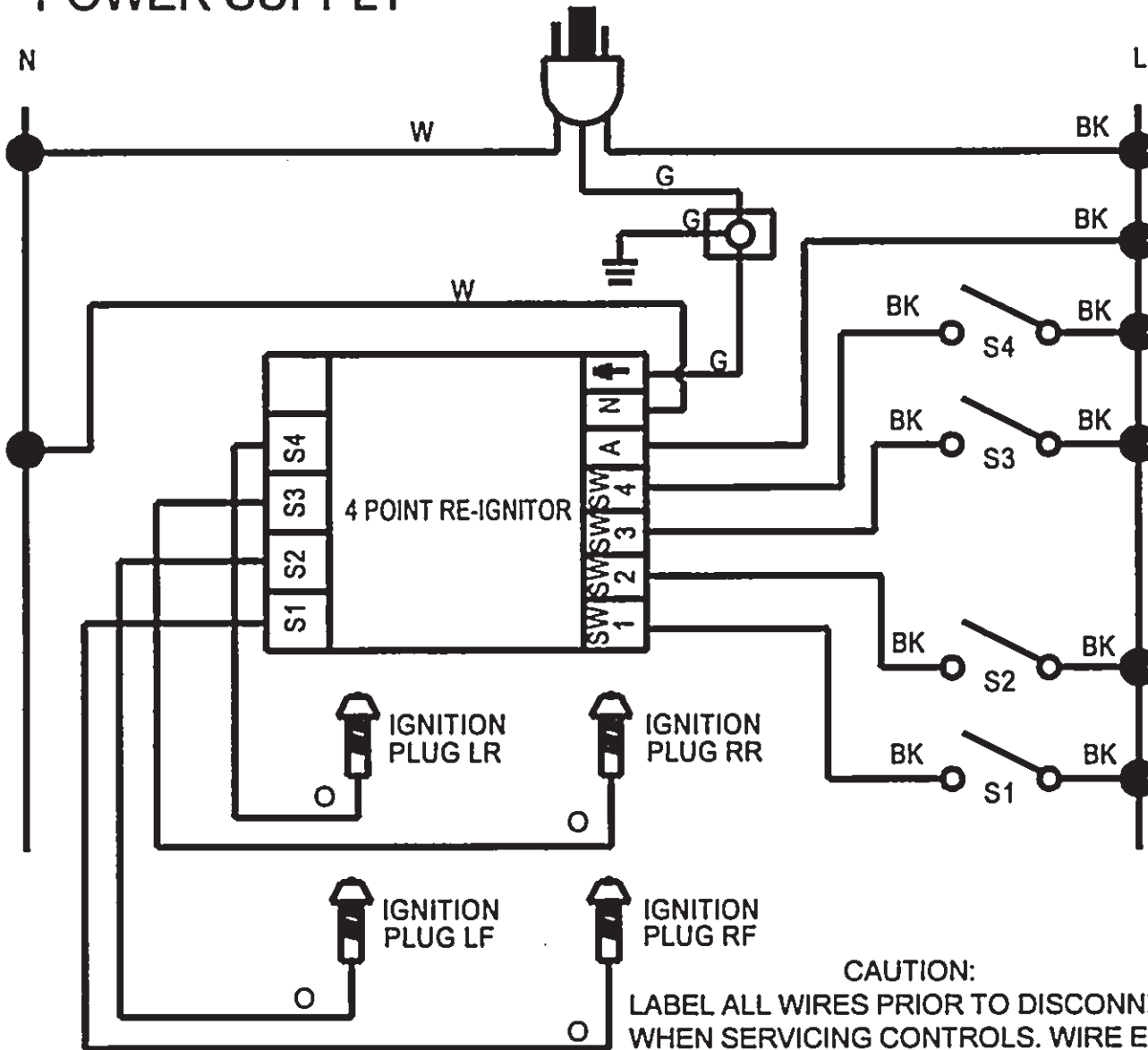


# WIRING DIAGRAM E30GC64ESS

120V, 60Hz, 0.025A  
POWER SUPPLY

VERIFY PROPER OPERATION  
AFTER SERVICING



CAUTION:  
LABEL ALL WIRES PRIOR TO DISCONNECTION  
WHEN SERVICING CONTROLS. WIRE ERRORS  
CAN CAUSE IMPROPER AND DANGEROUS  
OPERATION.