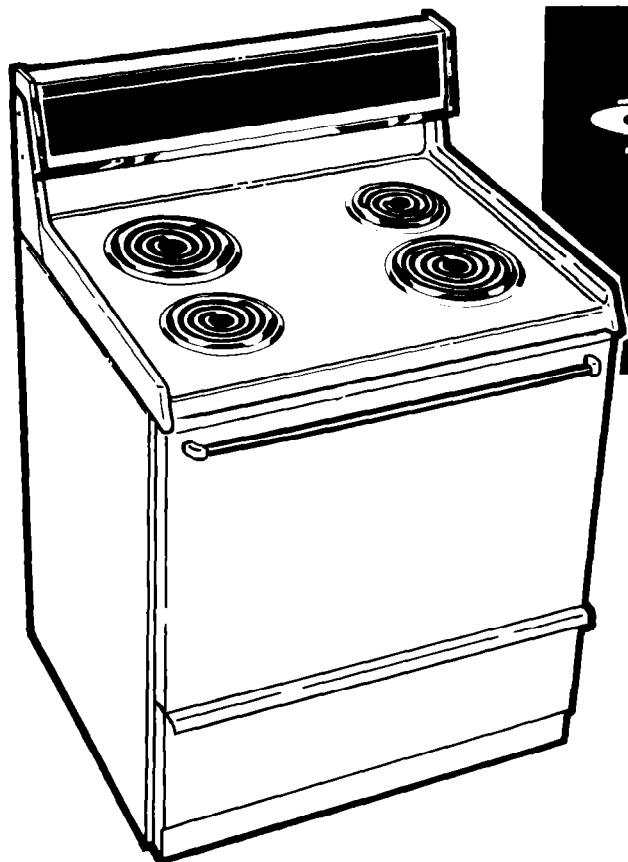
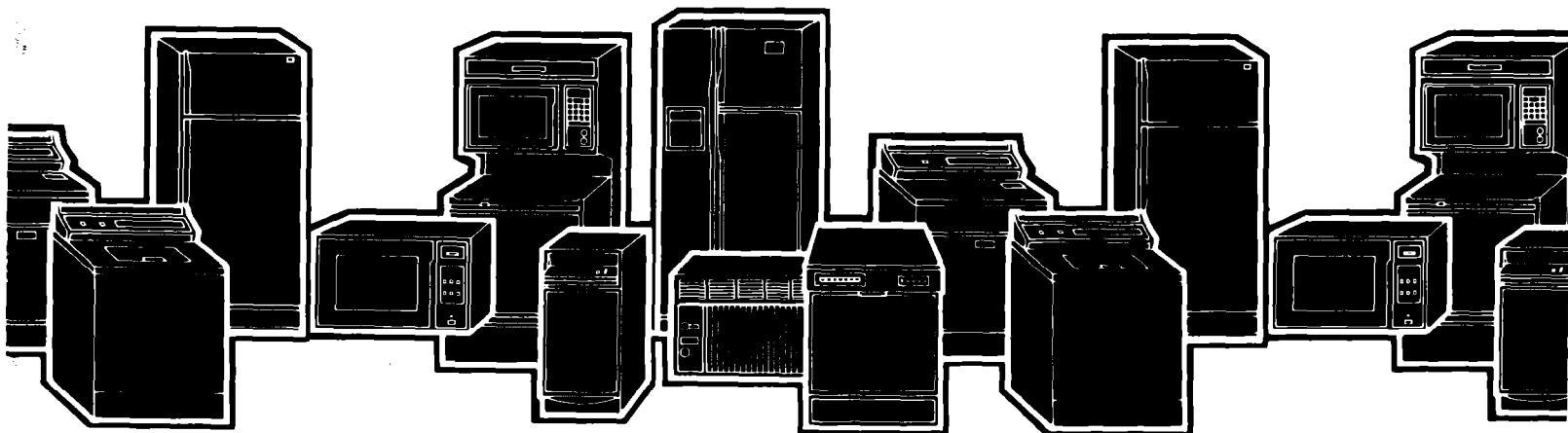


# Installation Instructions



**30"  
FREE-STANDING  
RANGE**

ive Ovens, Compactors, Room Air Conditioners, Dehumidifiers, Automatic Washers, Clothes Dryers, Freezers, Refrigerator-Freezers, Ice Makers, Dishw



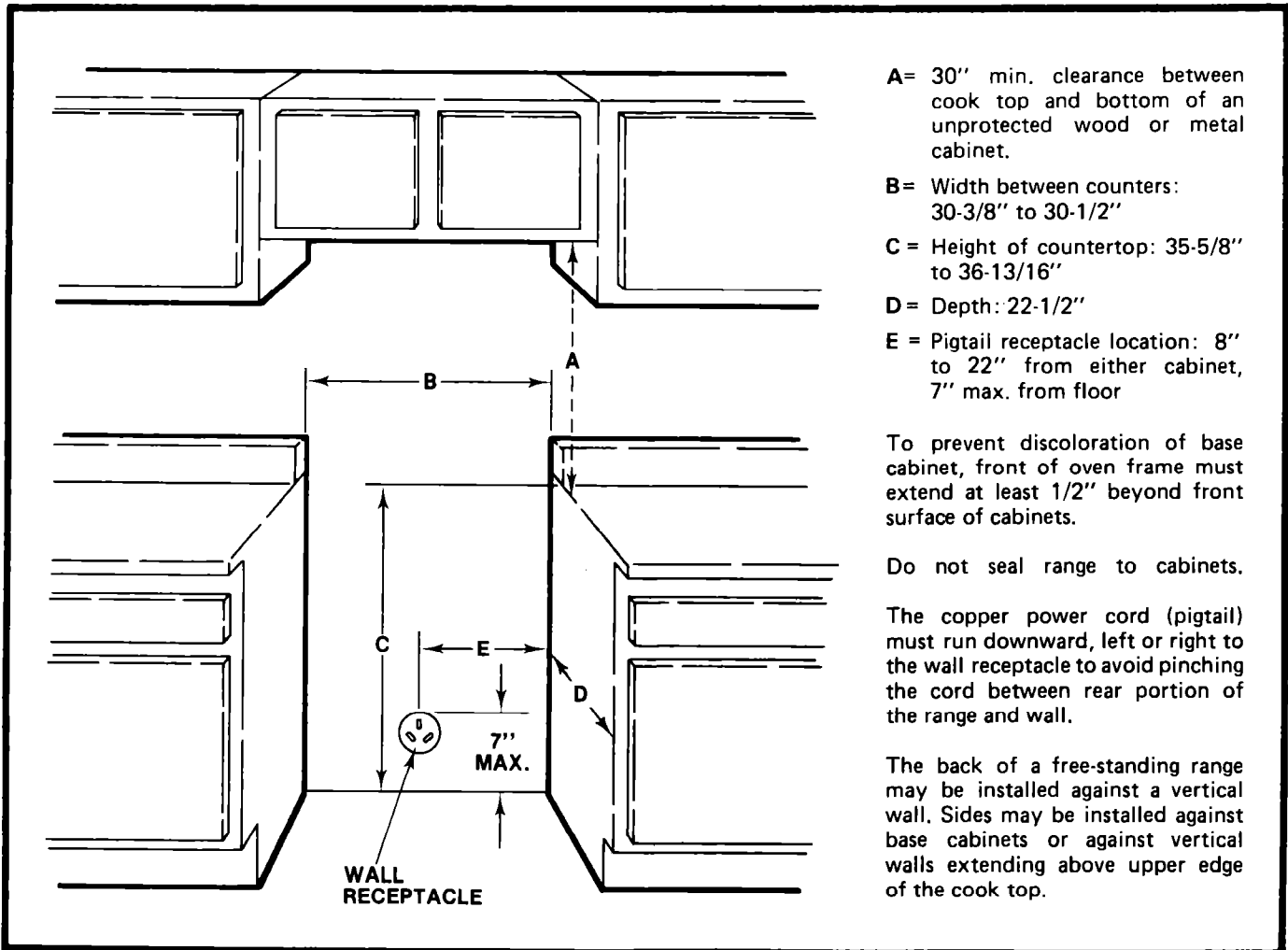
# 1 Before you begin

Read these instructions completely and carefully. If followed, they will simplify the installation job.

## IMPORTANT:

Observe all governing codes and ordinances. Failure to follow these instructions could lead to fire or electrical shock hazard.

## A. Space requirements



## CAUTION:

Reaching over heated surface elements causes risk of being burned. To reduce risk, installation of cabinet storage above surface units should be avoided.

If cabinets are already provided, reduce hazard by installing a range hood. Hood should project horizontally beyond bottom of cabinets by a minimum of 5 inches.

# Installation Instructions



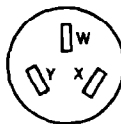
## B. Electrical requirements

**SAVE THESE INSTRUCTIONS FOR THE LOCAL ELECTRICAL INSPECTOR'S USE**

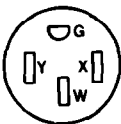
**WARNING:** Do not plug the "pigtail" power cord into a live wall receptacle before cord is permanently connected to the terminal block.

1. This appliance must be connected to the proper electrical voltage and frequency as specified on nameplate. A separate 40 ampere circuit is required. Fuse both sides of the line. DO NOT fuse the neutral. A time delay fuse or circuit breaker is recommended. Wire sizes must conform to the requirements of the National Electrical Code and/or local codes and ordinances. The nameplate is located on the front frame of the oven behind the door.
2. All wires ending at the appliance must terminate in ring type terminals.
3. All power cords and cables to appliance must be fitted with a UL approved strain relief.
4. The range should be connected with copper wire only. Aluminum wire requires special connectors. Improper use may create a fire hazard.
5. Appliance may be connected directly to the fused disconnect (or circuit breaker) box through flexible armored or non-metallic sheathed copper cable. Do not use an extension cord. Allow 4 feet (min.) slack so appliance can be moved for servicing. Wire sizes must conform to the ampere rating of the range. See paragraph B-1 above.
6. **WARNING: THE TERMINAL BLOCK ON THIS APPLIANCE ACCEPTS COPPER WIRE ONLY, NOT ALUMINUM. IF ALUMINUM HOUSE WIRING MUST BE CONNECTED, USE ONE OF THE FOLLOWING PROCEDURES:**
  - a. 1. Connect copper wire to the range terminal block (use ring terminals).
  2. Connect the copper wire to the aluminum house wiring using special connectors UL listed and designed for joining copper to aluminum.
  3. Wire size and connectors must conform to the ampere rating of the range as stated in paragraph B-1.
  - b. 1. Attach special ring connectors to the aluminum house wiring that are UL listed and designed for joining copper to aluminum. These special ring connectors (available at electrical supply houses) can be attached directly to the range terminal block.
  2. The connectors must conform to the ampere rating of the range as stated in paragraph B-1.
7. If local codes permit, your range may be connected with a three wire flexible type, UL listed "pigtail" power cord of the proper ampere rating. Plug must match a 3-wire NEMA type 10-50R receptacle (shown below).

3-WIRE  
RECEPTACLE  
10-50R



4-WIRE  
RECEPTACLE  
14-50R



8. **CAUTION: FOR MOBILE HOME USE, A 4-WIRE POWER CORD MUST BE USED.** This appliance is manufactured with ground connected to frame. This must be revised so green ground wire of 4-wire power cord is connected to frame.

If using a 4-wire NEMA type 14-50R receptacle (shown above) you must use a matching 4-wire UL listed "pigtail" power cord. Cord should be type SRD or SRDT, at least 4 feet long with all conductors ending in ring terminals at the appliance.

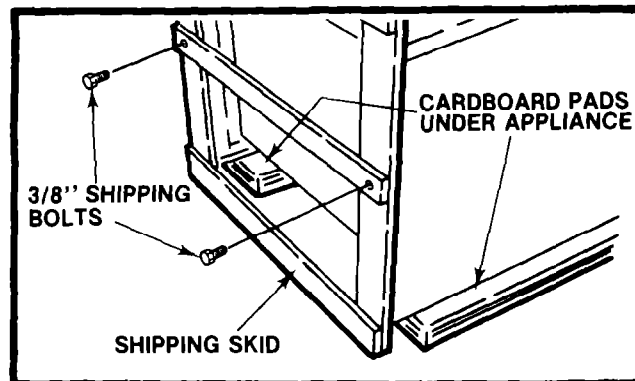
**MINIMUM CONDUCTOR SIZE...**  
(4-WIRE COPPER POWER CORD)

For 40 ampere circuits: two No. 8 conductors, one No. 10 white neutral, and one No. 8 green ground.

## 2 Begin the installation

**Remove racks and all other contents from oven before moving appliance.**

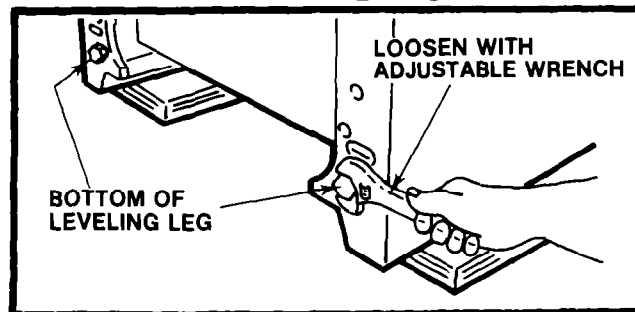
### A. Remove shipping skid



Remove the 4 cardboard pads from shipping box. Place them on floor as shown to protect appliance's finish. Rest appliance (on its back) on pads.

Remove the two 3/8" shipping bolts from wooden skid. Discard the skid.

### B. Extend leveling legs



Once skid is removed, 4 leveling legs are exposed at bottom of frame.

Loosen legs by applying an adjustable wrench to the 1-3/8" base of the leveling legs. Back each of them out about 4 complete turns.

Stand appliance on its base.

# 3 Begin electrical connection

Electrical ground is required on this appliance.

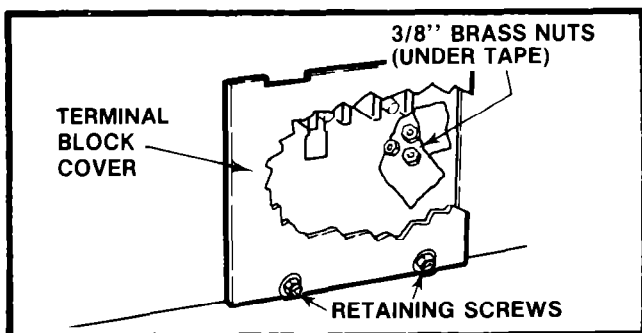
## WARNING:

It is customer's responsibility:

- To contact a qualified electrical installer.
- To assure that electrical installation is adequate and in conformance with National Electrical Code and local code ordinances.

**CAUTION:** Before connecting flexible armored cable for permanent wiring, disconnect power at fuse box or circuit breaker.

## A. Remove terminal block cover

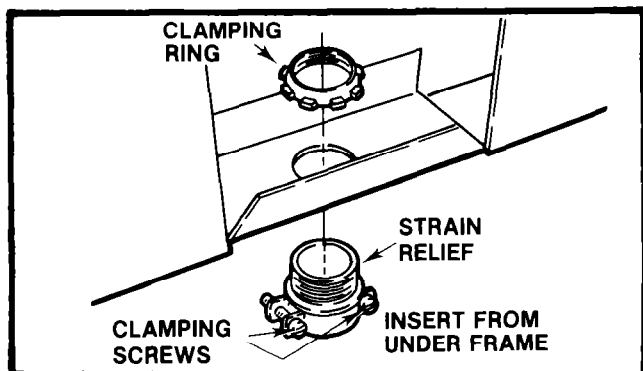


Terminal block cover is located on back of the appliance near the bottom.

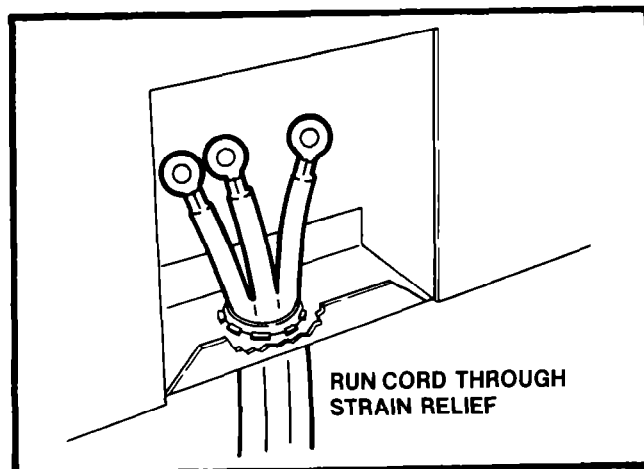
Remove retaining screws to expose electrical terminal block. USE ONLY the supplied 3/8" brass nuts when connecting cord.

USE ONLY ring type terminals to connect cord.

## B. Strain relief required



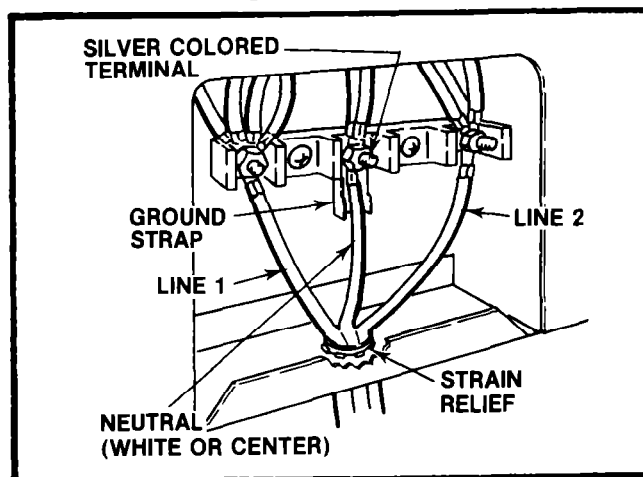
Disconnect clamping ring from strain relief. Push strain relief (from bottom) through hole beneath terminal block. Tighten clamping ring (from above) onto strain relief threads.



Run cord or cable through strain relief.

Leave enough slack to attach ring-type terminals to terminal block. Tighten clamping screws.

## C. If frame grounding is allowed



Use this wiring method ONLY if local codes permit connecting frame grounding conductor to neutral wire of power cord.

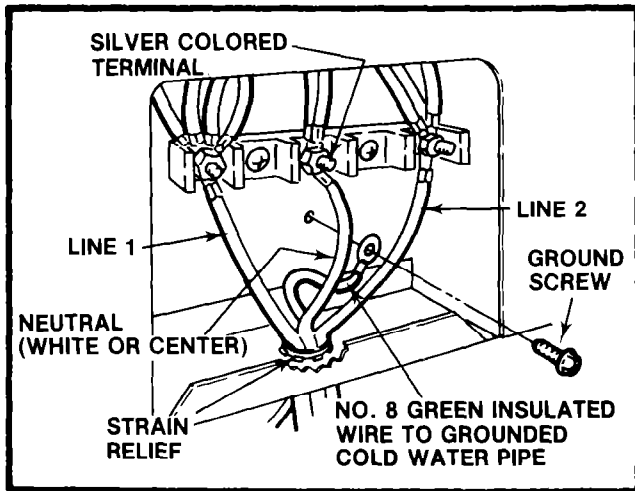
**THIS APPLIANCE IS MANUFACTURED WITH NEUTRAL TERMINAL CONNECTED TO THE FRAME.**

1. Connect neutral wire to the center silver colored terminal.
2. Connect remaining 2 wires to the terminals on either side of the silver colored terminal.
3. Use ring type terminals only. Connect with the brass nuts that are taped to the frame. Do not loosen factory installed nuts already on the terminal.
4. Replace terminal block cover.

# Installation Instructions

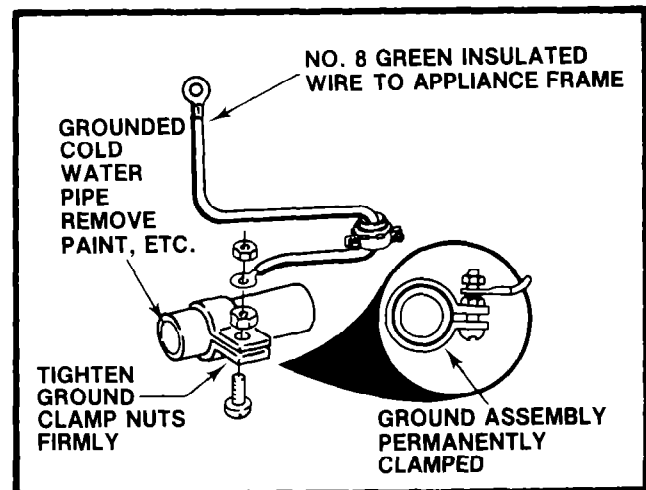


## D. If separated grounding is required



Use this wiring method if local codes DO NOT permit frame grounding to neutral wire of the power cord.

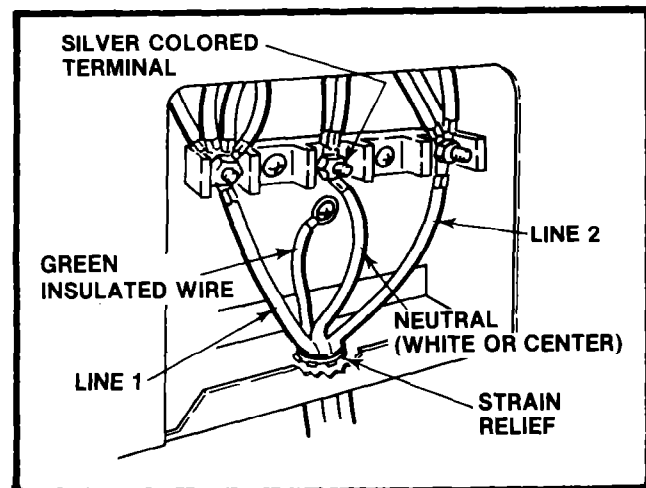
1. Remove the grounding strap screw from the range frame. Keep this ground screw. Break off the grounding strap so that it does not contact the range frame.
2. Connect an approved 3-wire power cord to the terminal block. Attach neutral wire to the center silver colored terminal. Connect the 2 remaining wires to terminals on either side of center terminal.
3. Connect a separate ground wire with ring type terminal to the screw hole in appliance frame. **THIS GROUND WIRE MUST:**
  - Be green-colored, insulated copper wire.
  - Be No. 8 gauge minimum.
4. Replace terminal block cover.
5. Clamp this ground wire permanently and securely to a grounded cold water pipe. Remove paint, grease and other insulators from the pipe.



**DO NOT** ground to gas pipe or hot water pipe.

6. Cold water pipe must not be electrically interrupted by plastic, rubber or other insulating connectors (including water meter or pump). A No. 4 jumper wire must be added at these interruptions.

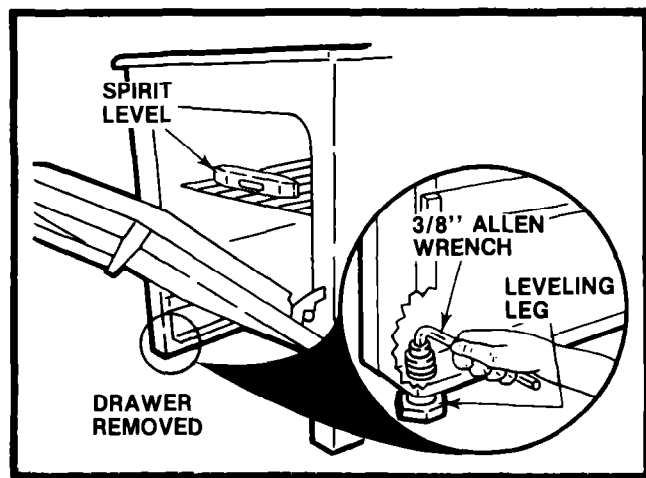
## E. 4-wire electrical connections



Use this wiring method for mobile homes and whenever a 4-wire installation is required.

1. Remove the grounding strap screw from the range frame. Keep this ground screw. Break off the grounding strap so that it does not contact the range frame.
2. Connect the green ground wire to the frame of the appliance with the ground screw, using the hole in the frame where the ground strap was removed.
3. Connect the white neutral wire of the power cord to the silver colored terminal of the terminal block. Connect the remaining wires to the outer terminals.
4. Replace the terminal block cover.

## 4 Level and position the range



### A. Leveling

Move range into final operating position. Place rack in oven. Put spirit level on rack. If range needs leveling, remove oven drawer. The tops of leveling legs will be exposed as shown.

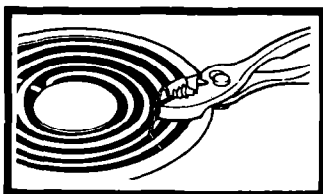
Use a 3/8" allen wrench to raise or lower legs as needed.

**IMPORTANT:** Oven must be properly leveled for satisfactory baking conditions.

### B. Remove shipping clips

Each of the 4 surface elements is secured by a shipping clip.

Using screwdriver or pliers, bend upper part of the clip to vertical position. Slide clip out and discard it.

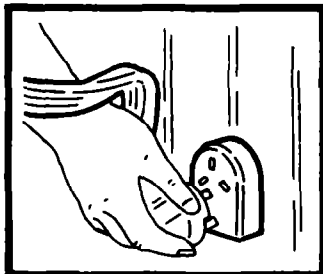


### C. Complete electrical connection

Back appliance away from wall, leaving room to make connection.

Plug flexible pigtail into approved receptacle (if allowed by local codes). OR

Connect flexible armored or non-metallic shielded cable directly to fused disconnect box.



## 5 Check operation

### CAUTION:

Do not touch any heating elements. They may be hot and you may be burned.

### A. Surface elements

Turn on each of the 4 surface elements. Check to be certain they heat and check for proper operation of surface element indicator light(s).

### B. Oven elements

**BAKE** — Set selector switch on BAKE. Turn thermostat to 350° BAKE. The bottom element should glow red and indicator light should be on. The upper element should become hot but NOT glow red.

**BROIL** — Set selector switch on BROIL. Turn thermostat to high. The top element should glow red and indicator light should be on.

### C. Rotisserie (if optional rotisserie kit is installed)

Place straight oven rack on bottom ledge position.

Place broiler pan on oven rack.

Place special rotisserie rack on broiler pan. Position the spit bar on this special rack.

Rotation should start when spit bar is inserted into receptacle in back of oven.

### D. Clock (if so equipped)

Refer to operating instructions in the Use and Care Guide (packed in the oven).

### E. Cleaning

See the Use and Care Guide that was packed in the oven for proper care and cleaning instructions.

## 6 Before you call for service. . .

See the Use and Care Guide for trouble-shooting checklist.

Be sure pigtail power cord is plugged in.

Check for blown fuses or tripped circuit breaker.

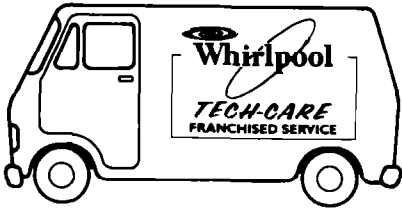
### If you must call for service. . .

You will need the appliance model and serial number.

Find the serial plate at top center of the oven front frame.

# Installation Instructions





In the event your WHIRLPOOL appliance should need service, call the dealer from whom you purchased the appliance or a WHIRLPOOL franchised TECH-CARE® service company. He is in the Yellow Pages of your telephone directory listed under "Appliances-Household-Major-Service and Repair." You can also obtain his name and number by dialing, free, within the continental United States the Whirlpool COOL-LINE® Service (800) 253-1301. When calling from Michigan, dial (800) 632-2243; from Alaska or Hawaii, dial (800) 253-1121. Dial just as you normally dial long distance. A special operator will tell you the name and number of your nearest Whirlpool TECH-CARE service outlet. During normal working hours, Whirlpool consultants at this same number will also answer any questions about operating or maintaining your appliance not covered in your Use and Care Guide.

Learn the benefits of using TECH-CARE service for maintaining the quality originally built into your WHIRLPOOL appliance.

Part No. 312718

Printed in U.S.A.

ifiers, Automatic Washers, Clothes Dryers, Freezers, Refrigerator-Freezers, Ice Makers, Dishwashers, Built-In Ovens and Surface Units, Ranges, Microw

