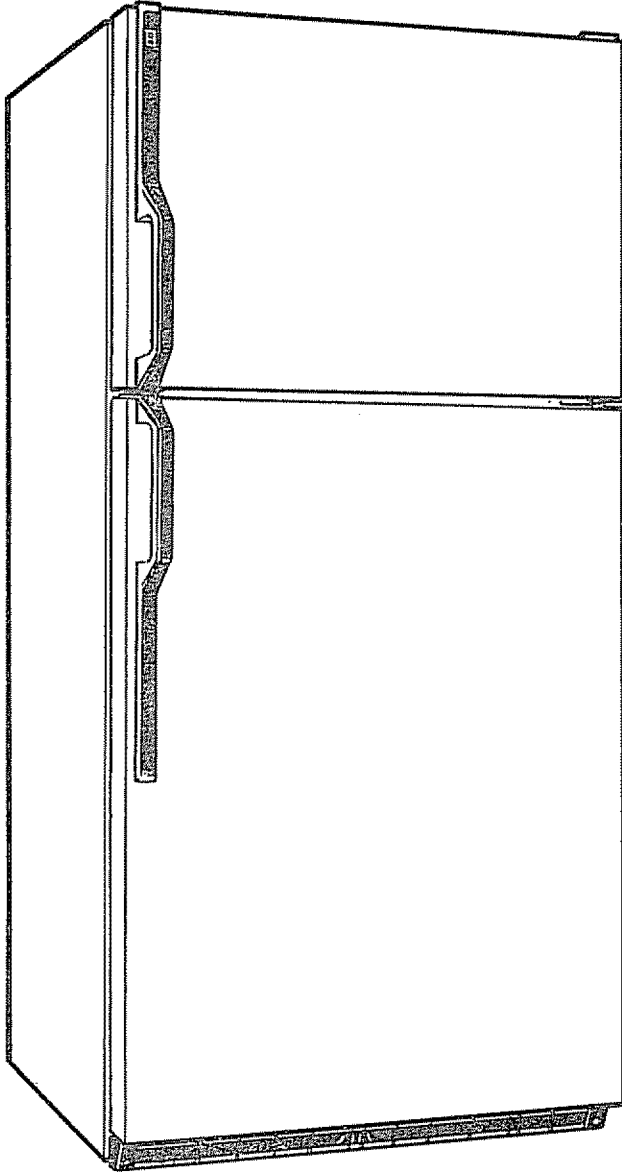


# SEARS

## Kenmore Refrigerator Owner's Manual



### Contents

- Safety Instructions ..... 2
- Grounding Requirements ..... 2, 3
- Starting the Refrigerator ..... 3, 4
- Adjusting the Controls ..... 4
- Energy Saver Switch ..... 4
- Food Storage Suggestions ..... 4-6
- Ice Service ..... 7
- Features ..... 8, 9
- Energy-Saving Tips ..... 10
- Care and Cleaning ..... 10, 11
- Vacation and Moving Precautions ..... 11
- Before You Call for Service ..... 12
- Reversing Door Swing ..... 13-15
- Warranty ..... Back Cover

Please record the model number, serial number and date you purchased your Kenmore refrigerator in the spaces below. See pages 8 and 9 for model and serial number location.

\_\_\_\_\_

Model Number

\_\_\_\_\_

Serial Number

\_\_\_\_\_

Date of Purchase

SEARS, ROEBUCK AND CO., Chicago, IL 60684 U.S.A.

70141, 70148, 70151, 70158, 70171, 70178.  
79871, 79878 with Automatic Icemaker  
60141, 60148, 60151, 60158, 60171, 60178.  
69871, 69876, 69878 equipped for future  
Automatic Icemaker installation

# IMPORTANT SAFETY INSTRUCTIONS

## Read all instructions before using this appliance.

**WARNING**— When using this appliance, always exercise basic safety precautions, including the following:

- **Use this appliance only for its intended purpose** as described in this Owner's Manual.
- **This refrigerator must be properly installed in accordance with the Attention Installer Instructions before it is used.** See grounding requirements below and on page 3.
- **Never unplug your refrigerator by pulling on the power cord.** Always grip plug firmly and pull straight out from the outlet.
- **Repair or replace immediately all electric service cords that have become frayed or otherwise damaged.** Do not use a cord that shows cracks or abrasion damage along its length or at either the plug or connector end.
- **When moving your refrigerator away from the wall, be careful not to roll over or damage the power cord.**
- **After your refrigerator is in operation, do not touch the cold surfaces, particularly when hands are damp or wet.** Skin may adhere to the extremely cold surfaces.
- **If your refrigerator has an icemaker, do not place fingers or hands on the automatic icemaking mechanism while the refrigerator is plugged in.** This will help protect you from possible injury. It will also prevent interference with the moving parts of the ejector mechanism, or with the heating element that releases the cubes.
- **Do not operate your refrigerator in the presence of explosive fumes.**

◦ **Don't refreeze frozen foods which have thawed completely.** The United States Department of Agriculture in Home and Garden Bulletin No. 69 says:

"...You may safely refreeze frozen foods that have thawed if they still contain ice crystals or if they are still cold—below 40°F.

"...Thawed ground meats, poultry or fish that have any off-odor or off-color should not be refrozen and should not be eaten. Thawed ice cream should be discarded. If the odor or color of any food is poor or questionable, get rid of it. The food may be dangerous to eat.

"Even partial thawing and refreezing reduce the eating quality of foods, particularly fruits, vegetables and prepared foods. The eating quality of red meats is affected less than that of many other foods. Use refrozen foods as soon as possible to save as much of their eating quality as you can."

◦ **If your old refrigerator is still around the house but not in use, be sure to remove the doors.** This will reduce the possibility of danger to children.

### ◦ Unplug your refrigerator :

**A.** Before making any repairs. Note: We strongly recommend that any servicing be performed by a qualified individual.

**B.** Before cleaning.

**C.** Before replacing a burned-out light bulb, the refrigerator should be unplugged in order to avoid contact with a live wire filament. (A burned-out light bulb may break when being replaced.)

Note: Turning control to OFF position does not remove power to the light circuit.

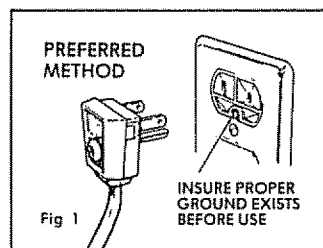
## SAVE THESE INSTRUCTIONS

## Grounding Requirements Important—Please read carefully.

### To connect electricity

**For personal safety, this appliance must be properly grounded.**

The power cord of this appliance is equipped with a three-prong (grounding) plug which mates with a standard three-prong (grounding) wall outlet (Fig. 1) to minimize the possibility of electric shock hazard from this appliance.



Have wall outlet and circuit checked by a qualified electrician to make sure outlet is properly grounded.

Where a standard two-prong wall outlet is encountered, it is your personal responsibility and obligation to have it replaced with a properly grounded three-prong wall outlet.

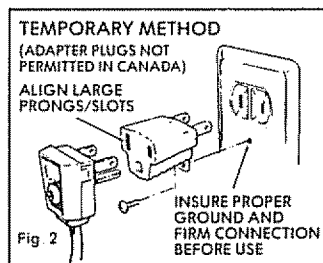
**DO NOT, UNDER ANY CIRCUMSTANCES, CUT OR REMOVE THE THIRD (GROUND) PRONG FROM THE POWER CORD.**

# Starting the Refrigerator

## Use of adapter plug

Because of potential safety hazards under certain conditions, **we strongly recommend against use of an adapter plug.** However, if you still elect to use an adapter, where local codes permit, a TEMPORARY CONNECTION may be made to a properly grounded two-prong wall outlet by use of a UL listed adapter (Fig. 2) available at most local hardware stores.

The larger slot in the adapter must be aligned with the larger slot in the wall outlet to provide proper polarity in the connection of the power cord.



**CAUTION:** Attaching an adapter ground terminal to the wall outlet cover screw does not ground the appliance unless the cover screw is metal, and not insulated, and the wall outlet is grounded through the house wiring. You should have circuit checked by a qualified electrician to make sure the outlet is properly grounded.

**When disconnecting the power cord from the adapter,** always hold the adapter with one hand. If this is not done, the adapter ground terminal is very likely to break with repeated use.

**Should the adapter ground terminal break, DO NOT USE the appliance until a proper ground has again been established.**

## Use of Extension Cords

Because of potential safety hazards under certain conditions, **we strongly recommend against the use of an extension cord.** However, if you still elect to use an extension cord, it is absolutely necessary that it be a UL listed 3-wire grounding type appliance extension cord having a grounding type plug and outlet and that the electrical rating of the cord be 15 amperes (minimum) and 120 volts.

## Electrical Requirements

The refrigerator should always be plugged into its own individual electrical outlet—115 volt, 60 Hertz, or 100 volt, 50 Hertz, single phase AC. This is recommended for best performance and to prevent overloading house wiring circuits, which could cause a fire hazard from overheating wires.

## Location

- Install the refrigerator on a floor strong enough to support it when it is fully loaded.
- Do not install it where the temperature will go below 60°F. because it will not run often enough to maintain proper temperatures.
- Do not install it next to your range, a heating vent or where the sun will shine directly on it.

## Clearances

Allow the following clearances for ease of installation, proper air circulation, and plumbing and electrical connections:

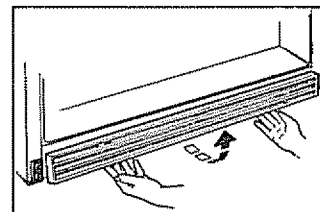
Sides ... 3/4"    Top ... 1"    Back ... 1"

## Leveling

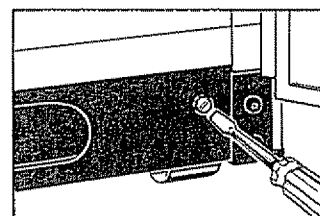
Adjustable rollers behind the base grille enable you to move the refrigerator away from the wall for cleaning. These rollers should be set so the refrigerator rests firmly on the floor with the front raised just enough that the doors close easily when opened about halfway.

### To adjust the rollers:

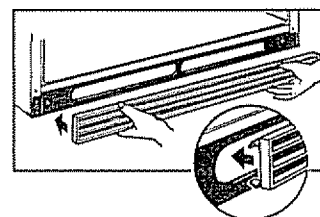
- Remove the base grille. Grasp it at the bottom and pull it out.



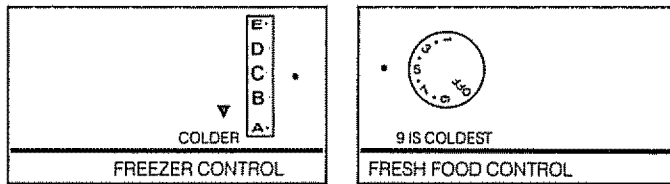
- Turn the roller adjusting screws **clockwise to raise** the refrigerator, **counter-clockwise to lower** it. Use a blade-type screwdriver. Both doors should close properly when bottom front edge of refrigerator cabinet is about 3/4" from the floor.



- **To replace the base grille,** line up the prongs on the grille with the clamps on the refrigerator and push forward until the grille snaps into place.



## Starting the Refrigerator (continued)



### Temperature Controls

Your refrigerator has two controls that let you regulate the temperature in the fresh food and freezer compartments.

At first, set the Fresh Food control at "5" and the Freezer control at "C."

Allow 24 hours for the temperature to stabilize, whether you are setting the controls for the first time or adjusting them later. Then, if you want colder or warmer temperatures in either compartment, adjust the controls one letter or number at a time.

Note: Turning the Fresh Food control to OFF turns off cooling in both compartments—fresh food and freezer—but does not shut off power to the refrigerator.

#### How to test temperatures:

**Use milk test for fresh food compartment.** Place a container of milk on the top shelf in the fresh food compartment. Check it a day later. If the milk is too warm or too cold, adjust the temperature controls.

**Use ice cream test for freezer compartment.** Place a container of ice cream in the center of the freezer compartment. Check it after a day. If it's too hard or too soft, adjust the temperature controls.

**Turning your household thermostat below 60°F. at night?** You may want to turn the lettered control one step colder, as from "C" to "D." Cooler temperatures in the house may cause the compressor to operate less frequently, thus allowing the freezer compartment to warm somewhat.

To protect your frozen food supply, leave your lettered control at this new, colder setting for the entire winter or for as long as you keep your thermostat turned down.

Turning the lettered control to a colder setting should have no effect on your fresh food compartment. However, if freezing occurs, turn the numbered control one step warmer, as from "5" to "4."

When you stop turning the household thermostat down at night, turn the refrigerator temperature controls back to their regular settings.

### Energy Saver Switch

This switch is on the temperature control panel.



**To reduce the amount of electricity required to operate your refrigerator, be sure the switch is pushed to the left position.** This turns off the heater in your refrigerator that prevents moisture from forming on the outside.

**If moisture forms on the outside of the refrigerator, push the Energy Saver Switch to the right.** The low-wattage heater will warm the outside of the cabinet and, under most conditions, prevent the forming of moisture or water droplets.

## Food Storage Suggestions

### Fresh Food Storage Tips

#### To store unfrozen meats, fish and poultry:

- Always remove store wrappings.
- Rewrap in foil, film or wax paper and refrigerate immediately.

**To store cheese,** wrap well with wax paper or aluminum foil, or put in a plastic bag.

- Carefully wrap to expel air and help prevent mold.
- Store pre-packaged cheese in its own wrapping if you wish.

**To store vegetables,** use the vegetable drawers—they've been designed to preserve the natural moisture and freshness of produce.

- Covering vegetables with a moist towel helps maintain crispness.
- As a further aid to freshness, pre-packaged vegetables can be stored in their original wrapping.

**To store ice cream**—Fine-quality ice cream, with high cream content, will normally require slightly lower temperatures than more "airy" already-packaged brands with low cream content.

- It will be necessary to experiment to determine the freezer compartment location and temperature control setting to keep your ice cream at the right serving temperature.
- The rear of the freezer compartment is slightly colder than the front.

## Suggested Storage Times

Eating quality drops after time shown	DAYS IN REFRIGERATOR AT 35° to 40°F.	MONTHS IN FREEZER AT 0°F.
	<b>Fresh Meats</b>	
Roasts (Beef & Lamb)	3 to 5	6 to 12
Roasts (Pork & Veal)	3 to 5	4 to 8
Steaks (Beef)	3 to 5	6 to 12
Chops (Lamb)	3 to 5	6 to 9
Chops (Pork)	3 to 5	3 to 4
Ground & Stew Meats	1 to 2	3 to 4
Variety Meats	1 to 2	3 to 4
Sausage (Pork)	1 to 2	1 to 2
<b>Processed Meats</b>		
Bacon	7	1
Frankfurters	7	½
Ham (Whole)	7	1 to 2
Ham (Half)	3 to 5	1 to 2
Ham (Slices)	3	1 to 2
Luncheon Meats	3 to 5	Freezing not recom- mended.
Sausage (Smoked)	7	
Sausage (Dry & Semi-Dry)	14 to 21	
<b>Cooked Meats</b>		
Cooked Meats and Meat Dishes	3 to 4	2 to 3
Gravy & Meat Broth	1 to 2	2 to 3
<b>Fresh Poultry</b>		
Chicken & Turkey (Whole)	1 to 2	12
Chicken (Pieces)	1 to 2	9
Turkey (Pieces)	1 to 2	6
Duck & Goose (Whole)	1 to 2	6
Giblets	1 to 2	3
<b>Cooked Poultry</b>		
Pieces (Covered with Broth)	1 to 2	6
Pieces (Not Covered)	3 to 4	1
Cooked Poultry Dishes	3 to 4	4 to 6
Fried Chicken	3 to 4	4
<b>(Other than for meats &amp; poultry) FREEZER</b>		
Most fruits and vegetables		8-12 months
Lean fish		6-8 months
Fatty fish, rolls and breads, soups, stew, casseroles		2-3 months
Cakes, pies, sandwiches, leftovers (cooked),		
Ice cream (original carton)		1 month max.

Meats, fish and poultry purchased from the store vary in quality and age; consequently, safe storage times in your refrigerator will vary.

New techniques are constantly being developed. Consult the College or County Extension Service or your local Utility Company for the latest information on freezing and storing foods.

## Tips on freezing foods

**1. Freeze only top-quality foods.** Freezing retains quality and flavor; it cannot improve quality.

**2. Freeze fruits and vegetables** quickly after picking. The sooner you do, the better the frozen product will be, and you will have less culling and sorting to do.

**3. Use food wraps designed especially for freezing;** they're readily available at most food stores.

**To freeze meat, fish and poultry,** wrap well in freezer-weight foil (or other heavy-duty wrapping material) forming it carefully to the shape of the contents. This expels air. Fold and crimp ends of the package to provide a good, lasting seal.

Don't refreeze meat that has completely thawed; meat, whether raw or cooked, can be frozen successfully only once.

Limit freezing of fresh (unfrozen) meats or seafoods to number of pounds at a time as follows:

Models 69871, 69876, 69878, 79871, 79878 ... 17 pounds

Models 60141, 60148, 60151, 60158, 60171, 60178

70141, 70148, 70151, 70158, 70171, 70178

... 19 pounds

### For convenience...

- Store like things together. This saves both time and electricity because you can find foods faster.
- Place the oldest items up front so they can be used up promptly.
- Use shelves on the door for most often used items.

### To save money in energy and food costs

- Place most perishable items, such as milk, cream or cottage cheese, toward the rear of the top shelf. They will stay coldest in this part of the fresh food compartment.
- Cover moist foods with tight lids, plastic film or foil.
- Leaf vegetables and fruits placed in drawers will last longer when stored in closed plastic containers or wrapped in plastic film.
- Do not overload your fresh food or freezer compartment with a lot of warm food at once.
- Open the doors the fewest times possible to save electrical energy.
- When going out of town for several days, leave as few perishables as possible in the refrigerator. If your refrigerator has an icemaker, move the icemaker feeler arm to the OFF (up) position and shut off water to the refrigerator.

(continued next page)

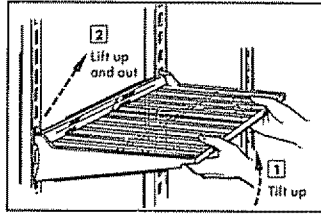
# Shelves

## Adjustable Shelves

Shelves in the fresh food compartment are adjustable, enabling you to make efficient shelf arrangements.

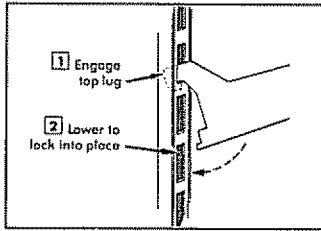
### To remove shelves:

Tilt the shelf up at front, then lift it up and out of the tracks on the rear wall of the refrigerator.



### To replace shelves:

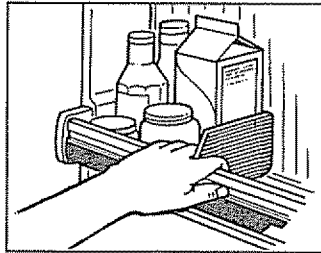
Select desired shelf height. With the shelf front raised slightly, engage the top lugs in the tracks at the rear of the cabinet. Then lower the front of the shelf until it locks into position.



Tempered glass shelves, on models so equipped, are adjustable in the same manner.

## Door Shelves

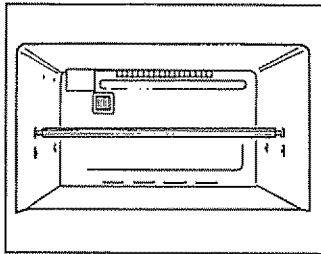
Shelves on both doors keep frequently-used items within easy reach. Two shelves have a divider that can be moved from side to side to keep items such as small jars and bottles so they won't tip, spill or slide.



## Two-Position Freezer Shelf

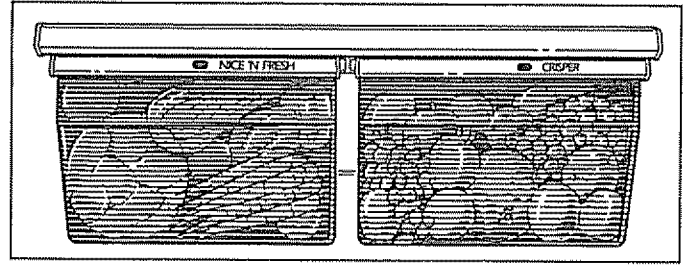
On models without an automatic icemaker, the shelf in the freezer compartment can be relocated for extra storage flexibility.

To relocate the shelf, lift one side and move it sideways to free the ends of the shelf from the holes in the walls. Then tilt the shelf and take it out. To reinstall the shelf, first insert one end and then the other into the second set of holes.



# Storage Drawers

## Fruit and Vegetable Drawers



**The Nice 'N Fresh drawer** is designed to keep unwrapped foods fresh by retaining the natural moisture content of foods such as:

- Artichokes
- Celery
- Lettuce
- Radishes
- Asparagus
- Cherries
- Parsley
- Rhubarb
- Beets, topped
- Corn
- Peas, green
- Spinach
- Blueberries
- Currants
- Plums
- Tomatoes, ripe
- Carrots
- Greens, leafy

As in any refrigerated storage area, it is recommended that foods with strong odors be stored wrapped—foods such as:

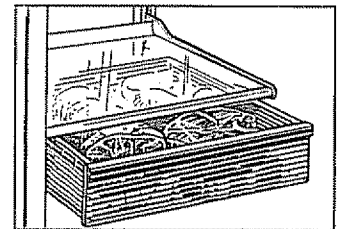
- Broccoli
- Cabbage
- Green Onions
- Turnips
- Brussels Sprouts
- Cauliflower
- Parsnips

**The Crisper** is designed to provide lower humidity storage for items such as:

- Apples
- Nectarines
- Raspberries
- Strawberries
- Apricots
- Oranges
- Squash, summer
- Tangerines
- Grapes
- Peaches
- Mushrooms
- Pears

## Handi-Keeper

This sealed drawer is designed for lunch meat, snacks, cheese, bacon and spreads as well as for temporary storage of fresh meats you do not want to freeze. It can be removed and taken to the food preparation area. And the drawer and shelf to which it attaches can be relocated at any level to suit your food storage needs.



# Ice Service

## Automatic Icemaker

(on icemaker-equipped model)

See separate *Water Line Installation Requirements* included in both the literature pack and on the back of the refrigerator.

**If your refrigerator is operated before water is connected to the icemaker,** keep the icemaker feeler arm in the OFF (up) position.

**When the refrigerator has been connected to the water supply and the water has been**

**turned on,** be sure the freezer shelf is in the lower position for icemaking and move the ice storage bin into place under the icemaker. Then move the feeler arm to the ON (down) position.

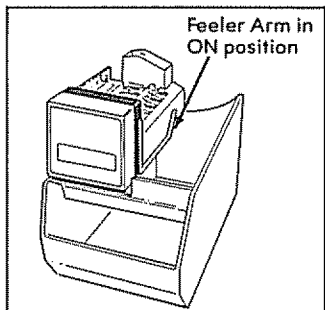
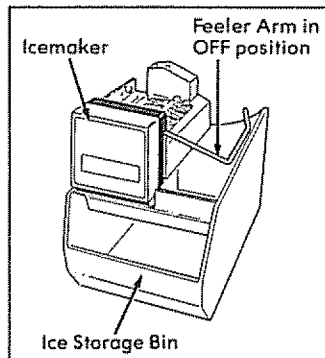
The ice cube mold will automatically fill with water after cooling to freezing temperature, and first cubes normally freeze after several hours.

When cubes are solidly frozen, they will be ejected from the mold into the ice storage bin by means of a sweeper arm. Icemaking will continue until the feeler arm senses that there are enough cubes in the bin and halts the operation temporarily. Be sure nothing interferes with the swing of the feeler arm.

**For maximum ice storage,** level the stored cubes with your hand occasionally.

**Once your icemaker is in operation, throw away the first few batches of ice cubes.** This will flush away any impurities in the water line. Do the same thing after vacations or long periods when ice isn't used.

**CAUTION:** Under certain rare circumstances, ice cubes may be discolored, usually appearing with a green-bluish hue. This unusual discoloration is apparently due to a combination of factors such as certain characteristics of local waters, household plumbing and the accumulation of copper salts in an inactive water supply line which feeds the icemaker. Continued consumption of such discolored ice cubes may be injurious to health. If your ice cubes are discolored, discard them and contact your Sears Service Center.



### Move feeler arm to OFF (up) position when:

- the home water supply is to be off for several hours.
- the ice storage bin is to be removed for a period of time.
- going away on vacation. (Also turn off the valve in the water supply line to the refrigerator.)

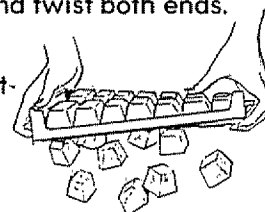
**If ice is not used often, old cubes will become cloudy and taste stale.** Empty the ice storage bin periodically and wash it in lukewarm water.

**If this is your first icemaker,** you will hear occasional sounds that may be unfamiliar. They are normal ice-making sounds and are not cause for concern.

### Ice Trays (on model without automatic icemaker)

**To release ice cubes,** turn the tray upside down, hold it over a container, and twist both ends.

**For only one or two ice cubes,** leave the tray right-side up, twist both ends slightly, and remove as many cubes as you want.



**Wash ice trays in lukewarm water only.** Do not put them in an automatic dishwasher.

### Automatic Icemaker Accessory Kit

(optional at extra cost)

If your refrigerator did not come already equipped with an automatic icemaker, you may add one—contact your Sears store or Sears Service Center.

### Water Filter Accessory

(optional at extra cost)

Your ice cubes can only be as fresh-tasting as the water that produces them. That's why it's a good idea to purify the water with a water filter.

The water filter is an optional part at extra cost and is available from your Sears Service Center. Order Filter No. 978488 and it may be installed in minutes when attached to the inlet water tube connection.

### Water Supply Accessory Kit

(optional at extra cost)

A water supply kit containing copper tubing, shut-off valve, fittings and instructions needed to connect the icemaker to your cold water line is also available from your Sears store or Sears Service Center.

## Features

**AUTOMATIC ICEMAKER OR PROVISION FOR ONE**  
If your refrigerator has an automatic icemaker, see page 7 for operating instructions. If not, you may add one. An automatic icemaker accessory kit is available from your Sears store or Sears Service Center.

**ADJUSTABLE FREEZER SHELF**  
Supports ice storage bin at proper level in icemaker-equipped models, adjusts up or down for extra storage flexibility in models with ice trays.

**USE AND CARE LABEL**  
Information you'll want to know is right on the refrigerator—including everyday care.

**MODEL AND SERIAL NUMBER LOCATION**  
You'll find these numbers here. To order repair parts, see the parts list that came with your refrigerator or take these numbers to your nearest Sears Service Center and they will help you.

**TEMPERATURE CONTROLS**  
Set Freezer control at "C," Fresh Food control at "5." They may need adjusting later. See page 4.

**HANDI-KEEPER MEAT DRAWER**  
Drawer provides convenient storage for temporary meals you do not want to freeze as well as snacks, hors d'oeuvres, lunch meat, bacon, cheese and spreads.

**ENERGY SAVER SWITCH**  
Reduces amount of electricity required to operate the refrigerator when pushed to the left position. Reduces or eliminates moisture on outside of refrigerator when pushed to the right.

**FLEXIBLE ICE CUBE TRAYS**  
Twist both ends of these trays and ice cubes empty into a container or cubes can be lifted out one by one. Available only on models without an automatic icemaker.

**NICE 'N FRESH DRAWER**  
The left drawer is sealed to maintain higher humidity levels recommended for unwrapped loads and most vegetables. Always return it to the left position and push it all the way in.

**CRISPER**  
The right drawer has been designed to allow higher air flow to provide lower humidity levels for most fruits.

**MAGNETIC DOOR GASKETS**  
Doors close quietly, and gaskets seal tightly when the refrigerator is level—see page 3.

**UTILITY BIN**  
Dual-usage bin holds two dozen eggs in their cartons, or stores an extra supply of ice cubes in the freezer for special occasions.

**HANDI-BIN**  
Door stays open while bin is in use, provides easy access to dairy products.

**BUTTER BIN**  
Covered compartment helps keep butter and similar products at the right consistency for easy spreading.

**TEXTURED STEEL DOORS**  
Touch the textured doors; they won't show fingerprints.

**ADJUSTABLE SHELVES**  
These shelves let you arrange—and rearrange—the interior of your refrigerator to meet your ever-changing food storage needs.

**DOOR SHELVES**  
Shelves on both doors keep frequently used items within easy reach.

**DIVIDERS**  
Move them where needed on door shelves to keep items such as small bottles and jars so they won't tip, spill or slide.

**NO DEFROSTING**  
It is not necessary to defrost the freezer or fresh food compartments. Your refrigerator is designed and equipped to defrost itself automatically.



## Energy-Saving Tips

- Don't open the doors more often than necessary.
- Close the doors as soon as possible, particularly in hot, humid weather.
- Keep the Energy Saver Switch in the left position unless moisture forms on the cabinet in hot, humid weather.
- Be sure the doors are closed tightly. Before leaving the house or retiring for the night, check to be sure the doors haven't been left open accidentally.
- Store only those foods requiring refrigeration in your refrigerator.
- Wipe moisture from bottles and cartons before putting them in the refrigerator.
- Keep foods covered to reduce moisture buildup inside the refrigerator.
- If you turn the controls to the coldest position for quick chilling or freezing, be sure to turn them back to regular settings.
- Don't overcrowd your refrigerator. Overcrowding can require extra electrical energy to keep everything cool.

## Care and Cleaning

### Outside

**The door handles and trim** can be cleaned with a cloth dampened with a solution of mild liquid dishwashing detergent and water. Dry with a soft cloth. Don't wax handles or trim.

**Keep the finish clean.** Wipe with a clean cloth lightly dampened with kitchen appliance wax or mild liquid dishwashing detergent. Dry and polish with a clean, soft cloth. Do not wipe the refrigerator with a soiled dishwashing cloth or wet towel. They may leave a residue that can harm the paint. Do not use scouring pads, powdered cleaners, bleach or cleaners containing bleach because these products can scratch and weaken the paint finish.

**Protect the paint finish.** The outside of the refrigerator has a high quality, baked-on paint finish. With proper care, it will stay new-looking and rust-free for years. Apply a coat of kitchen appliance wax when the refrigerator is new and then at least twice a year.

### Inside

**Clean the inside of the fresh food and freezer compartments at least once a year.** Unplug the

refrigerator before cleaning. If this is not practical, wring excess moisture out of sponge or cloth when cleaning around switches, lights or controls.

Use warm water and baking soda solution—about a tablespoon of baking soda to a quart of water. This both cleans and neutralizes odors. Rinse thoroughly with water and wipe dry.

Other parts of the refrigerator—including door gaskets, vegetable drawers, ice trays and all plastic parts—can be cleaned the same way. Do not use cleansing powders or other abrasive cleaners.

To help prevent odors, leave an open box of baking soda in the rear of the refrigerator, on the top shelf. Change the box every three months. An open box of baking soda in the freezer will absorb stale odors.

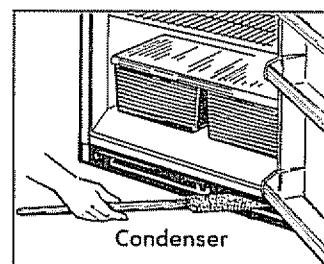
**Do not wash any plastic parts from your refrigerator in your automatic dishwasher.**

### Behind Refrigerator

Care should be taken in moving your refrigerator away from the wall. All types of floor coverings can be damaged, particularly cushioned coverings and those with embossed surfaces. Pull the refrigerator straight out and return it to position by pushing it straight in. Moving your refrigerator in a side direction may result in damage to your floor covering or refrigerator.

### Condenser

The condenser is located behind the base grille. For most efficient operation, you need to keep the condenser clean. Turn temperature control to OFF. Remove the base grille (see page 3). Sweep away or vacuum dust that is readily accessible on condenser coils, then turn the control back on. For best results, use a brush specially designed for this purpose. It is available at your Sears store or service center. This easy cleaning operation should be done at least once a year.



### Storage Drawers

Drawers at the bottom of the fresh food compartment will stop before coming all the way out of the refrigerator to help prevent contents from spilling onto the floor. The drawers can be removed easily by grasping the sides and lifting up slightly while pulling past the "stop" location.

**To remove the drawers when the fresh food compartment door cannot be opened fully:**

**1.** Remove the drawer farthest from the door.

**2.** Slide the other drawer to the middle and remove it.

**3.** Reach in, push the front of the cover up and, at the same time, pull it forward until it clears the frame on the back.

**4.** Tilt and remove the cover.

**5.** Remove the 3 drawer slides.

**6.** Remove the drawer frame as follows:

- Lift the front of the frame to free it from the supports at each side.
- Lift the rear of the frame to free its hooks from the tracks on the back wall of the refrigerator.
- Tilt the frame and take it out.

**To replace:**

**1.** Fit the hooks on the drawer frame into the second-from-the-bottom slots on the tracks at the rear of the refrigerator and lower the front of the frame until it locks into position and rests on the front supports at each side.

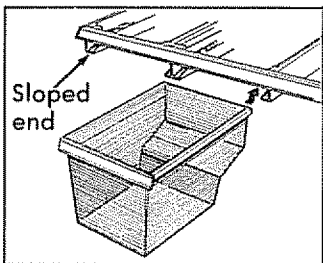
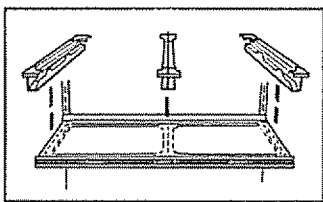
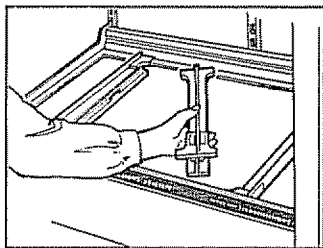
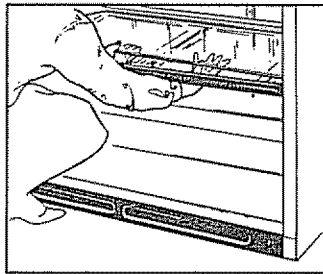
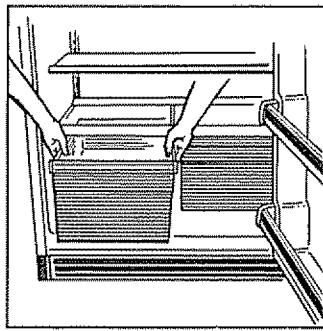
**2.** Put the drawer slides back on the frame. The sloped ends must be at the front.

**3.** Slide the center and right drawer slides toward the middle and slide the first drawer all the way into them.

**4.** Slide the first drawer all the way to the right.

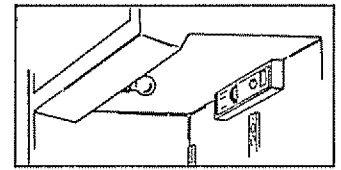
**5.** Mount the other drawer onto the center and left slides.

**6.** Replace the cover, pushing its rear edge firmly into the rear frame channel and gently lowering the front into place.



## Light Bulb Replacement

A light bulb and socket are located at the top of the fresh food compartment opposite the temperature control dial. To replace a burned-out bulb, unplug the refrigerator, unscrew the bulb, and replace it with a similar size appliance bulb.



## When you go on vacation

**For extended vacations or absences,** shut off power to the refrigerator, turn the control to the OFF position and clean the interior with a baking soda solution of one tablespoon of baking soda to one quart of water. Wipe dry. To prevent odors, leave an open box of baking soda in the refrigerator. Leave the doors open.

**For shorter vacations,** remove perishable foods and leave controls at their regular settings. However, if room temperature is expected to drop below 60°F., follow the same instructions as for extended vacations.

**If your refrigerator has an icemaker,** move the icemaker feeler arm to the OFF (up) position and be sure to shut off the water supply to the refrigerator.

## When you move

Disconnect the power cord from the wall outlet, remove all food, and clean and dry the interior.

**Secure all loose items** such as shelves and drawers by taping them securely in place to prevent damage.

Be sure the refrigerator stays *in an upright position* during actual moving and in the van. It must be secured in the van to prevent movement. Protect outside of refrigerator with a blanket.

# Before You Call for Service

Save time and money. Check this list of causes of minor operating problems you can correct yourself.

## Refrigerator does not operate

- May be in defrost cycle when motor does not operate for about 35 minutes.
- Temperature control in OFF position.
- If interior light is not on, refrigerator may not be plugged in at wall outlet.
- If plug is secure and refrigerator fails to operate, plug lamp or small appliance into same outlet to determine if there is tripped circuit breaker or burned out fuse.

## Motor operates for long periods

- Modern refrigerators with more storage space and a larger freezer compartment require more operating time.
- Normal when refrigerator is first delivered to your home—usually requires 24 hours to completely cool down.
- Large amounts of food placed in refrigerator to be cooled or frozen.
- Hot weather—frequent door openings.
- Door left open.
- Temperature controls are set too cold. Refer to page 4.
- Condenser needs cleaning. Refer to page 10.
- Check ENERGY-SAVING TIPS on page 10.

## Motor starts & stops frequently

- Temperature control starts and stops motor to maintain even temperatures. This is normal.

## Vibration or rattling

- If refrigerator vibrates, more than likely it is not resting solidly on the floor. The front roller screws need adjusting, or floor is weak or uneven. Refer to page 3.
- If dishes vibrate on shelves, try moving them. Slight vibration is normal.

## Operating sounds

- The high speed compressor motor required to maintain near zero temperatures in the large freezer compartment may produce higher sound levels than your old refrigerator.
- Normal fan air flow—one fan blows cold air through the refrigerator and freezer compartments—another fan cools the compressor motor.
- These NORMAL sounds will also be heard from time to time:
  - Defrost timer switch clicks at defrost.
  - Defrost water dripping.
  - Temperature control clicks ON or OFF.
  - Refrigerant boiling or gurgling.
  - Cracking or popping of cooling coils caused by expansion and contraction during defrost and refrigeration following defrost.
  - Ice cubes dropping into the bin and water running in pipes as icemaker refills.

## Hot air from bottom of refrigerator

- Normal air flow cooling motor. In the refrigeration process, it is normal that heat be expelled in the area under the refrigerator. Some floor coverings will discolor at these normal and safe operating temperatures. Your floor covering supplier should be consulted if you object to this discoloration.

## Foods dry out

- Foods not covered, wrapped or sealed properly.

## Fresh food or freezer compartment temperature too warm

- Temperature control not set cold enough. Refer to page 4.
- Warm weather—frequent door openings.
- Door left open for long time.
- Package may be holding door open or blocking air duct in freezer compartment.

## Frost or ice crystals on frozen food

- Door may have been left ajar or package holding door open.
- Too frequent or too long door openings.
- Frost within package is normal.

## Slow ice cube freezing

- Door may have been left ajar.
- Turn temperature of freezer compartment colder.

## Ice cubes have odor/taste

- Old cubes need to be discarded.
- Ice storage bin needs to be emptied or washed.
- Unsealed packages in refrigerator and/or freezer compartments may be transmitting odor/taste to ice cubes.
- Interior of refrigerator needs cleaning. Refer to page 10.

## Automatic icemaker does not work

- Icemaker feeler arm in OFF (up) position.
- Water supply turned off or not connected.
- Freezer compartment too warm.
- Cubes too small—water shutoff valve connecting refrigerator to home water line may be clogged.
- Sometimes cubes fuse to the side of the ice mold and hold the feeler arm in the OFF (up) position. Remove this ice to restart the icemaker.
- Piled up cubes in storage bin may cause icemaker to shut off prematurely. With icemaker feeler arm in OFF (up) position, level cubes in bin by hand.
- When reaching for cubes by hand, you may have pushed the feeler arm into the OFF (up) position by mistake.

## Moisture forms on outside of refrigerator

- Not unusual during periods of high humidity.
- Move Energy Saver Switch to the right (see page 4).

## Moisture collects inside

- Too frequent or too long door openings.
- In humid weather, air carries moisture into refrigerator when doors are opened.

## Refrigerator has odor

- Food with strong odors should be tightly covered.
- Check for spoiled food.
- Interior needs cleaning. Refer to page 10.
- Keep open box of baking soda in refrigerator; replace every three months.

## Interior light does not work

- No power at outlet.
- Light bulb needs replacing. See page 11.

# Reversing Door Swing

Your refrigerator has reversible doors so the door opening can be changed to suit your particular needs. These instructions tell you how to change the hinges from the right side to the left side. If you ever want to change the hinges back to the right side, follow these same instructions—merely reverse all references to left and right.

- Read these instructions all the way through before you start.
- Handle parts carefully to avoid scratching paint.
- Set screws down by their related parts to avoid using them in the wrong places.
- Provide a non-scratching work surface for the doors.
- Caution: Do not let either door drop to the floor. To do so could damage the door stop.

## Tools required

- Phillips screwdriver
- Masking tape
- T20 Torxdriver
- Putty knife or thin-bladed screwdriver
- 3/8" socket and ratchet (a 6-point socket is recommended)

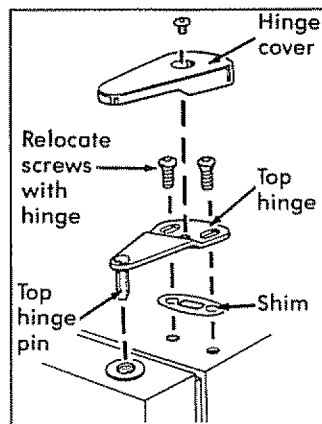
## Removing the doors

### Step 1—General

- (a) Unplug refrigerator from its electrical outlet.
- (b) Empty all door shelves, including handi-bin and butter bin.

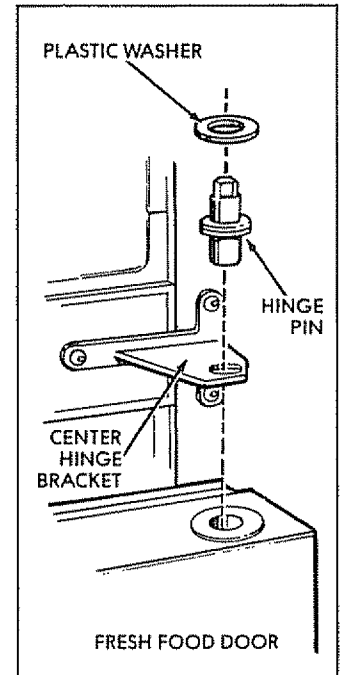
### Step 2—Removing the freezer door

- (a) Tape door shut with masking tape.
- (b) With Phillips screwdriver, remove hinge cover. With T20 Torxdriver, remove 2 Torx screws that hold the top of the hinge to the cabinet.
- (c) Lift the hinge (and shim glued to it) straight up to free the hinge pin from the socket in the top of the door.
- (d) Remove tape, tilt door away from the cabinet and lift it to free its bottom socket from the hinge pin on the center hinge bracket.
- (e) Set door outside-up on a non-scratching surface.



### Step 3—Removing the fresh food door

- (a) Tape door shut with masking tape.
- (b) Remove hinge pin with a 3/8" socket and ratchet.
- (c) Remove tape and tilt door away from cabinet. Remove and save washer on hinge pin.
- (d) Lift door straight up to free its bottom socket from pin in bottom hinge bracket.
- (e) Set door outside-up on a non-scratching surface. Make sure handi-bin and butter bin do not swing open.

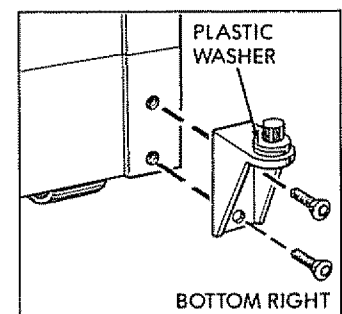
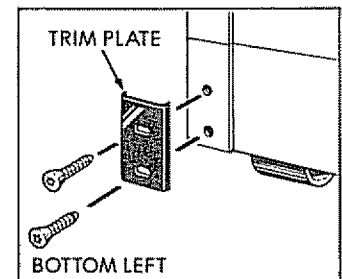


**Caution: Do not let either door drop to the floor. To do so could damage the door stop.**

## Reversing hardware on cabinet

### Step 1—Transferring bottom hinge bracket to the left side.

- (a) Take out two Torx trim-plate screws from the bottom left side of the cabinet and remove the trim plate.
- (b) Remove the hinge bracket (and shim glued to it) and plastic washer from the bottom right side of the cabinet.



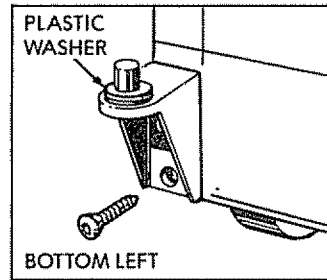
(continued next page)

# Reversing Door Swing (continued)

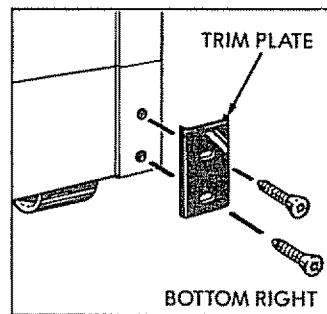
## Reversing hardware on cabinet

### Step 1—Transferring bottom hinge bracket to the left side (continued).

(c) Reinstall the hinge bracket (and shim glued to it) and plastic washer to the bottom left side of the cabinet.

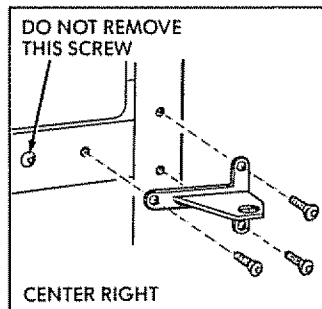


(d) Reinstall the trim plate on the bottom right side of the cabinet, using the Torx screws removed in step (a) above.



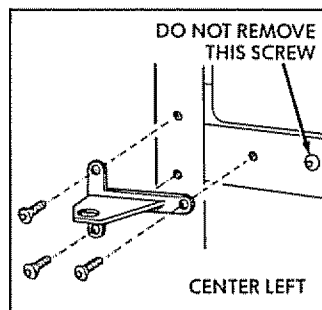
### Step 2—Transferring center hinge bracket to left side.

(a) Remove hinge bracket (and shim glued to it) from center right side of cabinet by removing the 3 outermost Torx screws.



(b) Remove the 3 outermost Torx screws from center left side of cabinet and screw them into corresponding holes at right side.

(c) Place center hinge bracket over holes at center left side of cabinet, insert screws removed from opposite side, and tighten them.



### Step 3—Transferring top hinge to left side.

Interchange hinge and screws at top right with screws at top left of cabinet. **Do not tighten screws on hinge side at this time.**

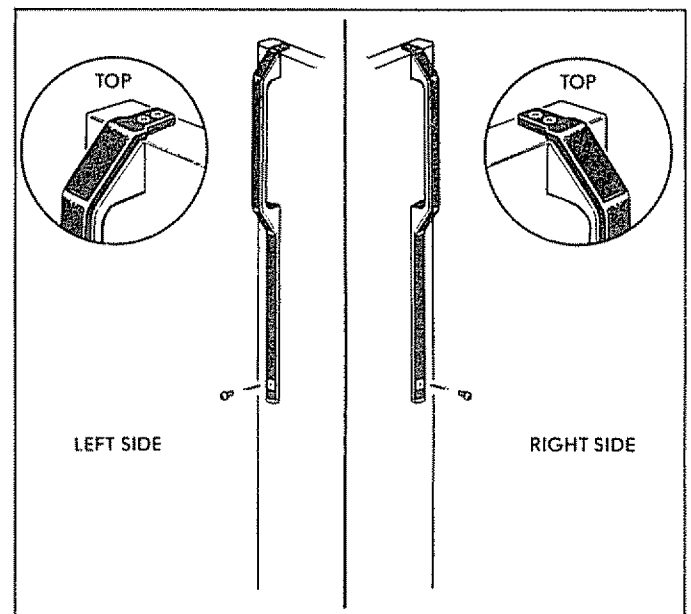
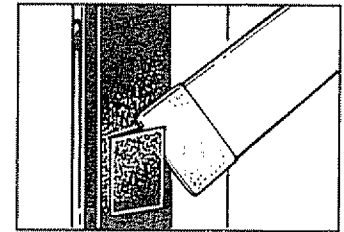
## Transferring fresh food door handle to the right

### To remove handle...

(a) Remove handle plug using putty knife under edge, and remove screw underneath.

(b) Remove 2 screws holding handle to top of door.

(c) Remove handle.



### After removing handle...

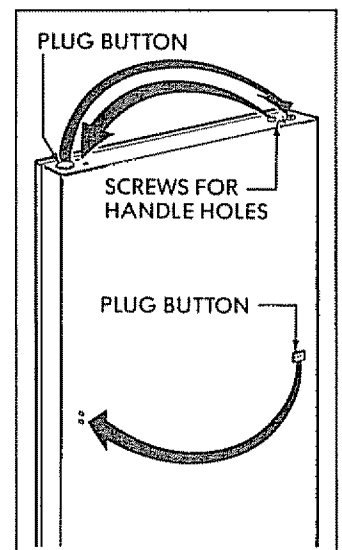
(a) Remove screws from right edge of door top and insert them into handle screw holes on left side.

(b) Remove plug button from left edge of door and insert it into hole on opposite side.

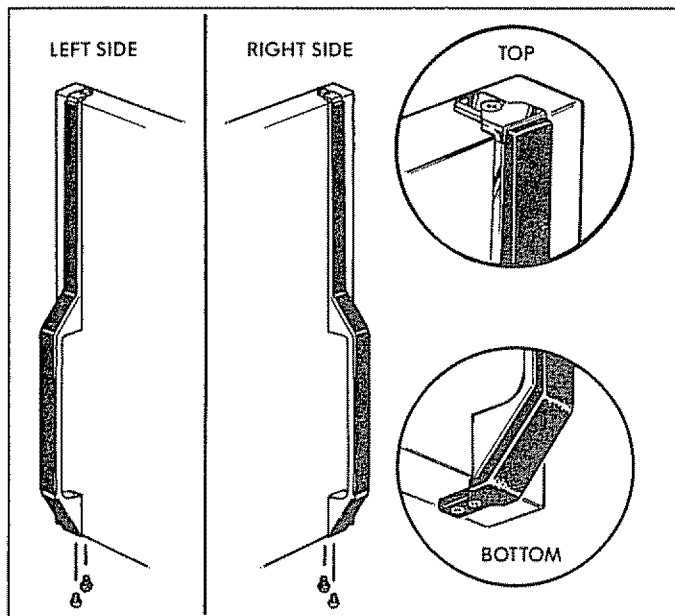
(c) Transfer plug button on front of door to opposite side.

### When reinstalling handle...

Attach handle to right side of door with screws at top and under handle plug.

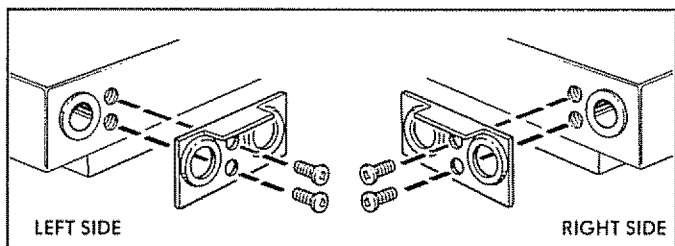


## Transferring the freezer door handle to the right



- (a) Remove one screw holding handle to top of door and two screws holding handle to bottom of door.
- (b) Remove handle.
- (c) Remove screws from right edge of door and insert them into handle screw holes on left side.
- (d) Attach handle to right edge of door with screws at top and bottom, using holes closest to edge of door.

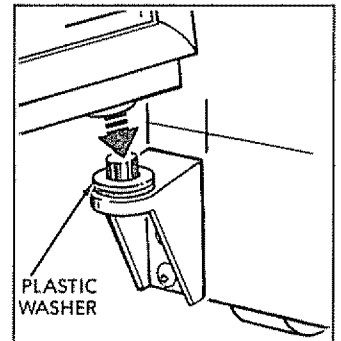
## Transferring door stops



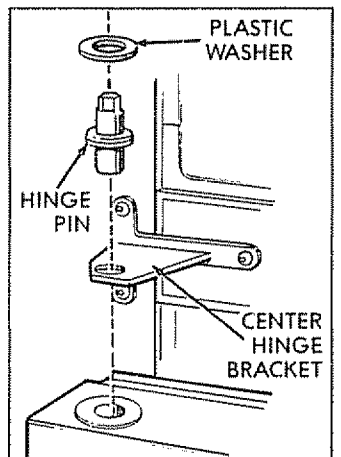
- (a) Move metal door stop on each door from right end to left end.
- (b) Move any screws from left end to right end.

## Rehanging the fresh food door

(a) Lower bottom socket of fresh food door onto pin on bottom hinge bracket. Be sure washer is in place.



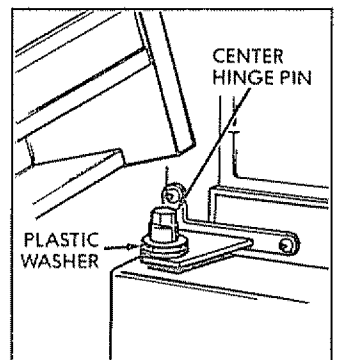
(b) Tilt door towards cabinet and gently push door under center hinge bracket and align with hole in center hinge bracket.



(c) Reinstall hinge pin with a 3/8" socket and ratchet so it extends through hole in center hinge bracket and into socket on top of fresh food door.

## Rehanging the freezer door

(a) Lower bottom socket of freezer door onto center hinge pin. Be sure washer is in place.



(b) Tilt door towards cabinet, lifting the top hinge so the pin fits into the socket on top of the door.

(c) Tighten top hinge screws after supporting the door on the handle side and aligning so the gap between the doors is even all across the front.

(d) Replace the hinge cover.



## FULL ONE YEAR WARRANTY ON REFRIGERATOR

For one year from the date of purchase, when this refrigerator is operated and maintained according to instructions attached to or furnished with the product, Sears will repair this refrigerator, free of charge, if defective in material or workmanship.

## FULL FIVE-YEAR WARRANTY ON SEALED REFRIGERATION SYSTEM

For five years from the date of purchase, when this refrigerator is operated and maintained according to owner's instructions attached to or furnished with the product, Sears will repair the sealed system (consisting of refrigerant, connecting tubing and compressor motor), free of charge, if defective in material or workmanship.

The above warranty coverage applies only to refrigerators which are used for storage of food for private household purposes.

WARRANTY SERVICE IS AVAILABLE BY CONTACTING THE  
NEAREST SEARS SERVICE CENTER/DEPARTMENT IN THE UNITED STATES.

This warranty applies only while this product is in use in the United States.

This warranty gives you specific legal rights,  
and you may also have other rights which vary from state to state.

SEARS, ROEBUCK AND CO., Dept. 731CR-W, Sears Tower, Chicago, IL 60684

### SEARS SERVICE IS AT YOUR SERVICE

Your Kenmore has added value when you consider that Sears has nationwide service units staffed by Sears-trained technicians... professional technicians specifically trained to service SEARS appliances, having the parts, tools and equipment to insure that we meet our pledge to you... "We Service What We Sell!"

### ADD TO THE VALUE OF YOUR KENMORE, BUY A SEARS MAINTENANCE AGREEMENT

Sears Kenmore refrigerators are designed, built and tested for years of dependable use. Yet any modern appliance may need service from time to time. The Sears warranty plus the Sears maintenance agreement give protection from unexpected repair bills. Contact your salesperson or nearest service center for details.

SEARS, ROEBUCK AND CO., Dept. 731CR-W, Sears Tower, Chicago, IL 60684

Printed in U.S.A.

162D3812P006

60141	60178	70148	70178
60148	69871	70151	79871
60151	69876	70158	79878
60158	69878	70171	
60171	70141		

Part No. SR6071