



30" Freestanding Gas Range

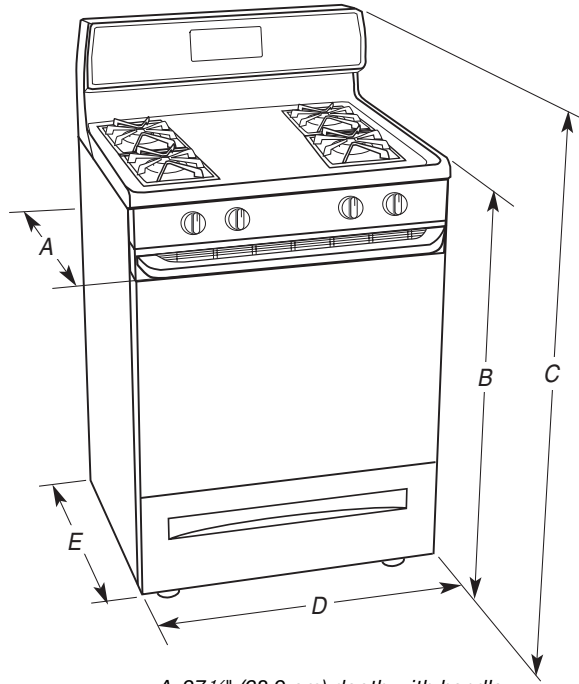
PRODUCT MODEL NUMBERS

GS440LEM
SF378LEP

Gas supply: Use 3/4" rigid pipe gas supply line to the range location. A smaller size pipe on long runs may result in insufficient gas supply. With L.P. gas, piping or tubing size can be 1/2" minimum. If local codes permit, a new CSA design-certified, 4 - 5 ft (122 - 152.4 cm) long, 1/2" (1.3 cm) or 3/4" (1.9 cm) I.D., flexible metal appliance connector may be used for connecting range to the gas supply line. A 1/2" male pipe thread is needed for connection to pressure regulator female pipe threads. An easily accessible individual manual shutoff valve must be located in the same room, but external to the range.

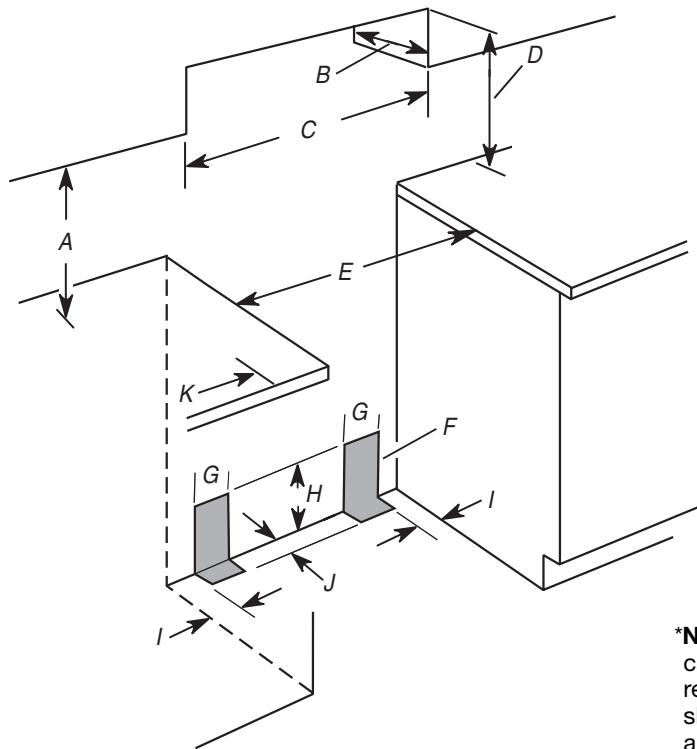
Electrical: 120-volt, 60 Hz, AC-only, 15 amp, fused electrical circuit is required. A separate circuit is recommended. A time-delay fuse or circuit breaker is recommended.

OVERALL DIMENSIONS



- A. 27 1/8" (68.9 cm) depth with handle
- B. 36" (91.4 cm) cooktop height
- C. 46 7/8" (119.1 cm) overall height
- D. 29 7/8" (75.9 cm) width
- E. 25" (63.5 cm)

CABINET OPENING DIMENSIONS



- A. 18" (45.7 cm) upper side cabinet to countertop
- B. 13" (33 cm) max. upper cabinet depth
- C. 30" (76.2 cm) min. opening width
- D. For minimum clearance to top of cooktop, see NOTE*
- E. 30 1/8" (76.5 cm) min. opening width
- F. This shaded area recommended for installation of rigid gas pipe
- G. 8" (20.3 cm)
- H. 17" (43.2 cm)
- I. 4 1/2" (11.4 cm)
- J. 2" (5.1 cm)
- K. 2" (5.0 cm) min. clearance from both sides of range to side wall or other combustible material.

***NOTE:** 24" (61 cm) minimum when bottom of wood or metal cabinet is protected by not less than 1/4" (0.64 cm) flame retardant millboard covered with not less than No. 28 MSG sheet steel, 0.015" (0.4 mm) stainless steel, 0.024" (0.6 mm) aluminum or 0.020" (0.5 mm) copper.

30" (76.2 cm) minimum clearance between the top of the cooking platform and the bottom of an unprotected wood or metal cabinet.