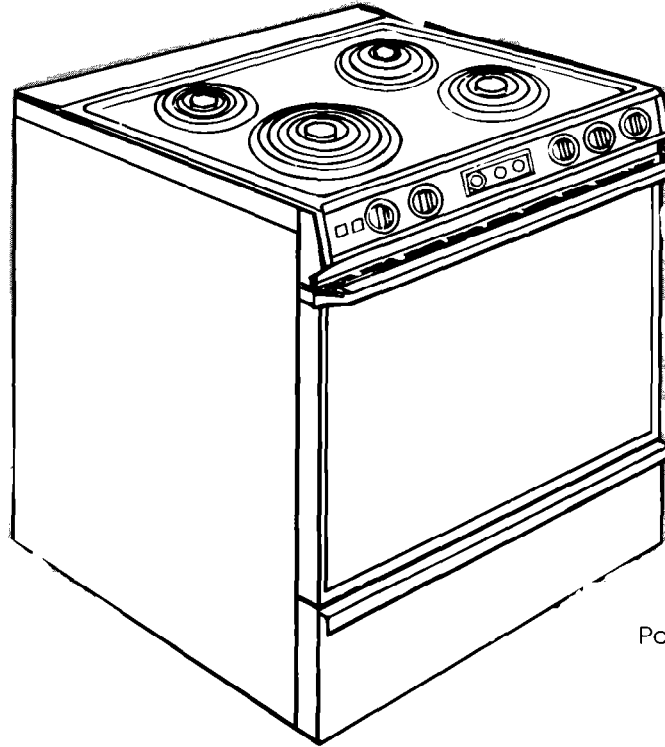


Installation Instructions



Part No. 56002000002/316003000/816985 Rev. A

IMPORTANT:
Read and save
these instructions.

IMPORTANT:

Installer: Leave Installation Instructions with the homeowner.

Homeowner: Keep Installation Instructions for future reference.

Save Installation Instructions for local electrical inspector's use.

30" Electric
Slide-In Range
with Standard-clean or
Self-cleaning oven

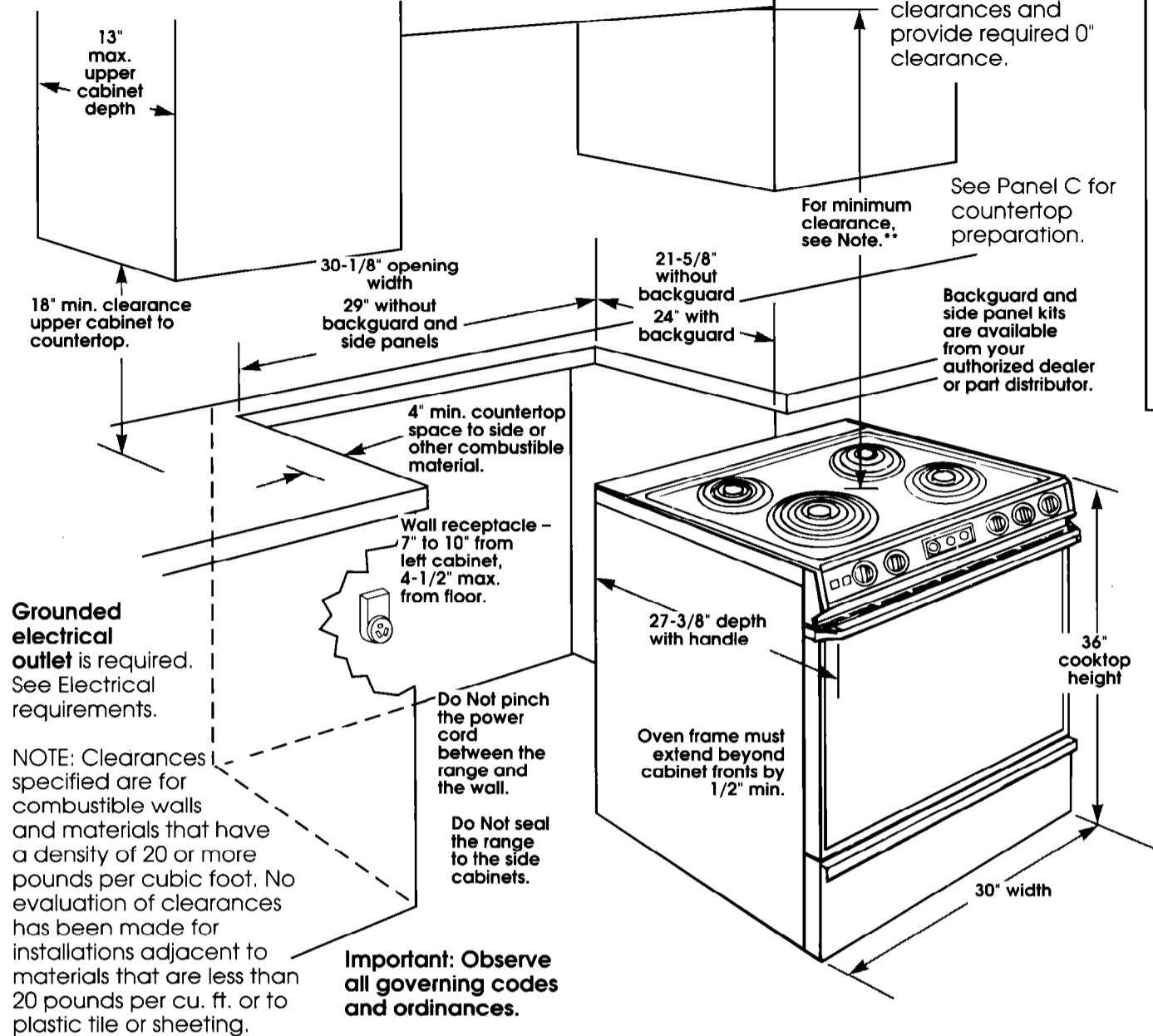
Before you start...

Proper installation is the installer's responsibility. A qualified technician should install this range. Make sure you have everything necessary for correct installation. It is the responsibility of the installer to comply with the installation clearances specified on the serial/rating plate. The serial/rating plate is located under the cooktop.

Check location where range will be installed. The range should be located for convenient use in kitchen.

ALL OPENINGS IN THE WALL OR FLOOR WHERE RANGE IS TO BE INSTALLED MUST BE SEALED.

Cabinet opening dimensions that are shown must be used. Given dimensions are minimum clearances and provide required 0" clearance.



Grounded electrical outlet is required. See Electrical requirements.

NOTE: Clearances specified are for combustible walls and materials that have a density of 20 or more pounds per cubic foot. No evaluation of clearances has been made for installations adjacent to materials that are less than 20 pounds per cu. ft. or to plastic tile or sheeting.

Important: Observe all governing codes and ordinances.

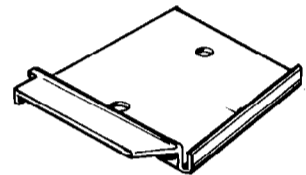
⚠ WARNING

Personal Injury Hazard
Avoid installing cabinet storage above the cooking surface. If cabinets are already installed, reduce the hazard of reaching over a heated cooking surface by installing a range hood. The range hood should extend a minimum of 5 inches out from the bottom front of the cabinets. Reaching over a heated cooking surface could result in a serious burn or other personal injury.

Electrical Shock Hazard
It is the customer's responsibility:

- To contact a qualified electrical installer.
- To assure that the electrical installation is adequate and in conformance with National Electrical Code, ANSI/NFPA 70-latest edition*, and all local codes and ordinances. Failure to do so could result in fire, electrical shock or other personal injury.

**Note: 24" min. when bottom of wood or metal cabinet is protected by not less than 1/4" flame retardant millboard covered with not less than No. 28 MSG sheet steel, 0.015" stainless steel, 0.024" aluminum or 0.020" copper.
30" min. clearance between the top of the cooking platform and the bottom of an unprotected wood or metal cabinet.



The anti-tip brackets MUST be installed. For detailed instructions, see Panel B.

Mobile home installation

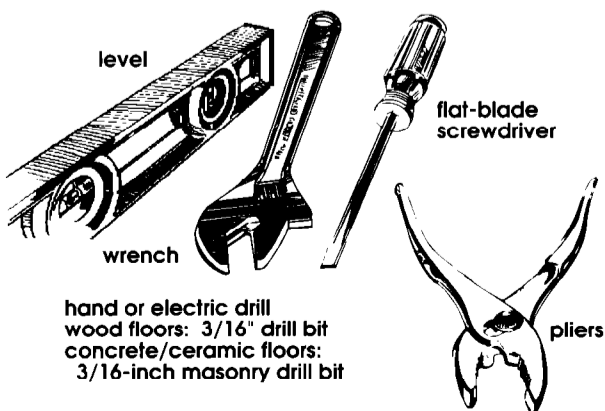
The installation of this range must conform to the Manufactured Home Construction and Safety Standards, Title 24 CFR, Part 3280 (formerly the Federal Standard for Mobile Home Construction and Safety, Title 24 HUD Part 280); or when such standard is not applicable, the Standard for Manufactured Homes Installations 1982 (Manufactured Home Sites, Communities and Setups), ANSI A225.1-1987, or latest edition*, or with local codes.

When this range is installed in a mobile home, it must be secured to the floor during transit. Any method of securing the range is adequate as long as it conforms to the standards listed above.

Four-wire power supply cable must be used in a mobile home installation. The appliance wiring will need to be revised. See Electrical requirements, Panel B and 4-wire electrical connection, Panel C. Copies of the standards listed may be obtained from:

*National Fire Protection Association
Batterymarch Park
Quincy, Massachusetts 02269

Tools needed for installation:



Panel A

Electrical requirements

Save Installation Instructions for the local electrical inspector's use. A power cord is not supplied with this product, but is available through your local electrical supply houses.

⚠ WARNING

Electrical Shock Hazard

- Electrical ground is required on this appliance.
- If cold water pipe is interrupted by plastic, non-metallic gaskets, or other insulating materials, Do Not use for grounding.
- Do Not ground to a gas pipe.
- Only a power supply cord kit rated at 125/250 volts, 40 amperes and investigated for use with ranges should be used.
- Do Not use an extension cord.
- Do Not have a fuse in the neutral or grounding circuit. A fuse in the neutral or grounding circuit could result in electrical shock.
- Do Not plug the "pigtail" power cord into a live wall receptacle before the cord is permanently connected to the terminal block. To do so may result in personal injury from electrical shock.
- Check with a qualified electrician if you are in doubt as to whether the appliance is properly grounded.

Failure to follow these instructions could result in serious injury or death.

If codes permit and a separate grounding wire is used, it is recommended that a qualified electrician determine that the grounding path is adequate.

A. A three-wire or a four-wire single phase, 120/240-volt, 60-Hz, AC-only, electrical supply (or three-wire or four-wire

120/208-volt if specified on serial/rating plate) is required on a separate 40-ampere circuit, fused on both sides of the line. A time-delay fuse or circuit breaker is recommended.

B. THE RANGE MUST BE CONNECTED WITH COPPER WIRE ONLY.

C. Local codes may permit the use of a U.L.-listed, 125/250-volt, 40-ampere range power supply cord (pigtail). This cord contains three, No. -10 copper wires and matches a three-wire receptacle of NEMA Type 10-50R, shown in Figure 1. Connectors on the appliance end must be ring terminals. A U.L.-listed strain relief must be provided at the point the power supply cord enters the appliance.

D. The appliance should be connected directly to the fused disconnect or circuit breaker box through flexible, armored or non-metallic sheathed, copper cable. Allow two or three feet of slack in the line so that it can be moved if servicing is ever necessary. A U.L.-listed conduit connector must be provided at each end of the power supply cable (at the appliance and at the junction box). Wire sizes (COPPER WIRE ONLY) and connections must conform with the rating of the appliance (40 amperes).

E. IF CONNECTING TO A 4-WIRE ELECTRICAL SYSTEM: This appliance is manufactured with ground connected to cabinet. The ground must be revised so the green grounding wire of the 4-wire power cord is connected to the cabinet. See 4-wire electrical connection section, Panel C.

When a 4-wire receptacle of NEMA type 14-50R is used (See Figure 2), a matching U.L.-listed, 4-wire, 125/250-volt, 40-ampere, range power supply cord (pigtail) must be used. This cord contains four copper conductors with ring

terminals on the appliance end, terminating in a NEMA Type 14-50P plug on the supply end. The fourth (grounding) conductor must be identified by a green or green/yellow cover and the neutral conductor by a white cover. Cord should be Type SRD or SRDT with a U.L.-listed strain relief and be at least four feet long.

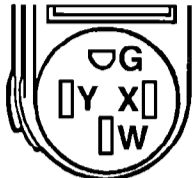
The **MINIMUM** conductor sizes for the copper 4-wire power cord are:
 40 ampere circuit
 2, No.-8 conductors
 1, No.-10 white neutral
 1, No.-8 green grounding

F. The wiring diagram is also located on the back of the range.



3-wire wall receptacle (10-50R)

Figure 1



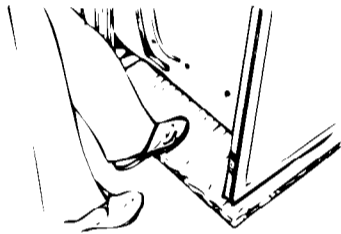
4-wire wall receptacle (14-50R)

Figure 2

Now start... With range in kitchen.

1. If you plan to install a backguard or side panels to your range, do so now. Kits with detailed instructions are available from your dealer.

2. Remove racks and other parts from inside oven.



3. Place one foot on the shipping base. Tilt range forward slightly to free rear legs. Gently lower range to floor. Tilt range backwards until front legs are free.

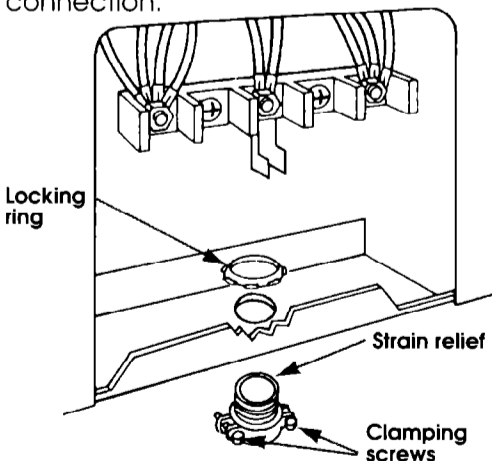
4. Remove shipping materials, tape and protective film from range. Do Not remove cardboard shipping base at this time.

5. Remove storage drawer. Adjust leveling legs until the underside of range cooktop is 1/8" higher than the height of countertop.

6. Remove terminal block cover from range.

3-wire electrical connection

See Panel C for 4-wire electrical connection.



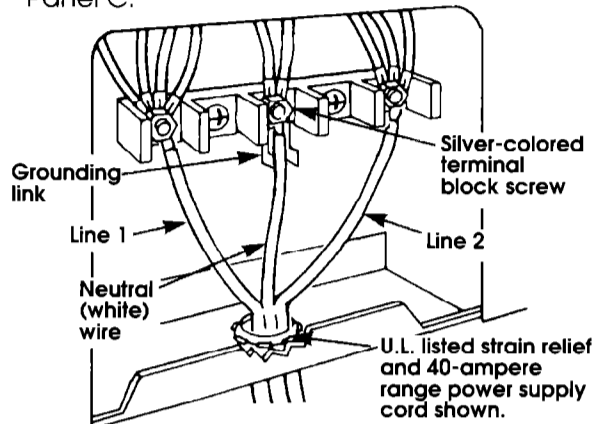
7. If you are using a power supply cord (pigtail), use a U.L.-listed strain relief and insert it into the hole below the terminal block. Insert power supply cord through the strain relief allowing enough slack to easily attach to terminal block. Use only ring-type terminals to connect power supply cord. Use 3/8" nuts (provided with the range) to secure the power supply cord. Do Not loosen factory-installed nuts already installed on the terminal. Be sure factory-installed nuts are tight.

Panel B

If you are direct wiring the range, strip outer covering back 3 inches from end to expose wires. Strip insulation back about 1 inch from end of each wire and bend bare wire into a "U" shape. Insert a conduit connector into hole below terminal block. Thread wires through conduit connector allowing enough slack to easily attach wires to terminal block.

Use this wiring method **ONLY** if local codes permit connecting frame-grounding conductor to neutral wire of power cord.

This appliance is manufactured with neutral terminal connected to the frame. If local codes and ordinances Do Not permit grounding through the neutral, a four-wire power supply cord, rated 125/250 volts, 40 amperes and investigated for use with ranges must be used. See 4-wire electrical connection, Panel C.



8. Connect the neutral (white) wire to the silver-colored terminal screw on the terminal block. Connect the other two wires to the outer terminal screws on the terminal block. Use the brass nuts supplied with range. Do Not loosen factory-installed nuts already on the terminal.

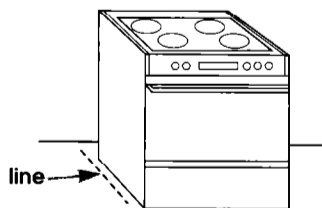
9. Tighten the strain relief screws or the conduit connector clamping screws. Replace the terminal block cover.

WARNING



- To prevent tipping, install range anti-tip bracket.
- Save these Installation Instructions. If range is moved to a new location, the anti-tip brackets must be removed and reinstalled in the new location.

10. If range will be installed with a cabinet on one or both sides, place template on the floor with the top edge against the rear wall, molding or cabinet and the sides of the template against the cabinet side wall(s).



If range is Not installed against a cabinet slide range into final location. Mark a line on the floor along sides of range about one-half the distance from the rear to the front. Slide the range out of location. Place template on the floor with the top edge against the rear wall, molding or cabinet and the sides of the template against the lines drawn for the sides of the range.

11. Use a pencil to mark the four screw hole locations on the floor. Remove template from position.

CAUTION

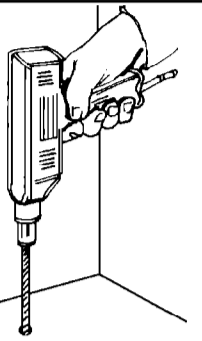
Floor Damage

- Contact a qualified installer for the best procedure to drill mounting holes through your type of floor covering.
- Before moving range across floor, slide range onto cardboard or hardboard.

Failure to follow these instructions may result in damage to floor covering.

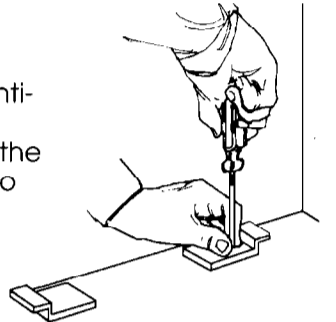
12. To mount anti-tip bracket to wood floor, drill a 3/16" hole at each mounting screw location, 1/2" deep.

To mount anti-tip bracket to concrete or ceramic floor, use a masonry drill bit to drill a 3/16" hole at each mounting screw location. Tap plastic anchors into mounting holes in floor with hammer.



13.

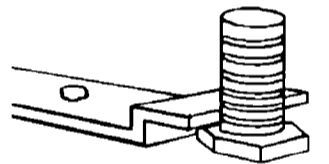
Line up holes in anti-tip brackets with holes in floor. Use the screws provided to fasten anti-tip brackets to floor.



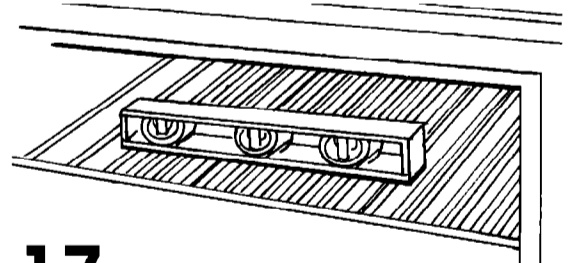
14. Move range close to final position. Remove the cardboard or hardboard from under range. Plug power supply cord into grounded outlet. Remove storage drawer.

15. Carefully move range into final position. Check that rear leveling legs are engaged in the anti-tip brackets. If both leveling legs are not properly engaged, remove and reposition the bracket(s) to insure that the leveling legs are properly in the brackets.

Adjust leveling legs until underside of cooktop rests on countertop.



16. If installing the range in a mobile home, you MUST secure the range to the floor. Any method of securing the range is adequate as long as it conforms to the standards listed in the Mobile home installation instructions, Panel A.

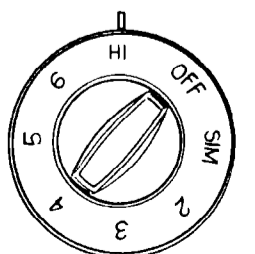


17. Place rack in oven. Place level on rack, first side to side; then front to back. If the range is not level, pull the range forward until rear leveling legs are removed from the brackets. Adjust the legs up or down until range is level. Push range back into position. Check that the rear leveling legs are engaged in the brackets. Replace storage drawer.

Note: Oven must be level for satisfactory baking conditions.

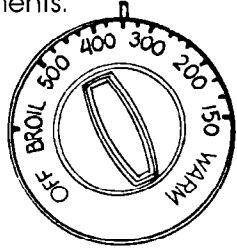
18. Lift up cooktop and support cooktop with the support rod. Use an electric drill with 1/8" drill bit to drill holes 1/2" deep into countertop through the mounting holes in the range side panels. Secure range to countertop using two screws.

19. Push in and turn each surface unit control knob to "Hi" position. Check the operation of the cooktop elements and indicator lights.

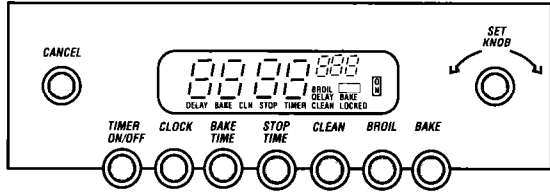


20. Check the operation of the oven elements.

If your range has oven selector and temperature control knobs, set the oven selector control to "BAKE" and the oven temperature control to 350°F. The bottom element should glow red and the indicator light should be on. The upper element should become hot but not glow red. The oven indicator light goes off when the oven is preheated.



Turn the control knobs to the "OFF" position.

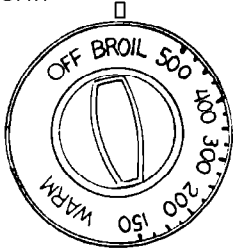


If your range has an electronic clock, push "BAKE" button. "°F" will appear in the display and the "BAKE" light will come on. Turn the "SET" knob until 350°F appears in the display.

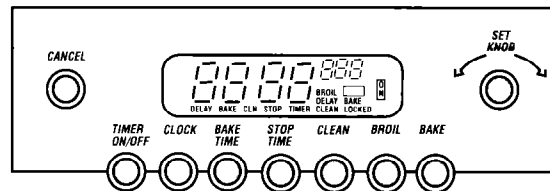
The bottom element should glow red and the indicator light should be on. The upper element should become hot but not glow red. The oven indicator light goes off when the oven is preheated. Push the "CANCEL" button.

21. Check the operation of the broil element.

If your range has oven selector and temperature control knobs, set the oven selector control to "BROIL" and the oven temperature control to "BROIL." The upper element should glow red and the indicator light should be on.



Turn the control knobs to the "OFF" position.



If your range has an electronic clock, push "BROIL" button. "BROIL" will appear in the display and the "BROIL" light will come on. Turn the "SET" knob for the first broiling level.

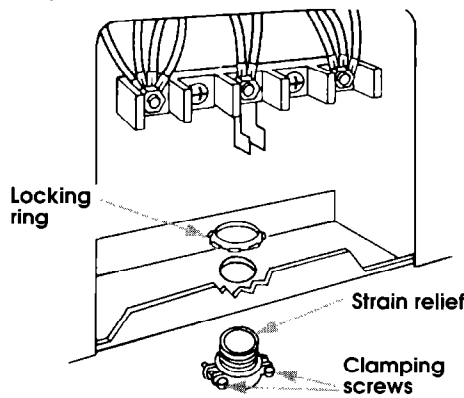
The upper element should glow red and the indicator light should be on. Push the "CANCEL" button.

Congratulations

You have just finished installing your new range. To get the most efficient use from your new range, read your Use & Care Guide. Keep Installation Instructions and guide close to range for easy reference. The instructions will make reinstalling your range in another home as easy as the first installation.

4-wire electrical connection

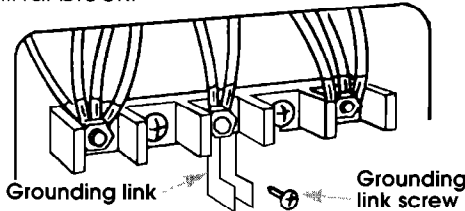
Use this wiring method for mobile homes and whenever 4-wire installation is required.



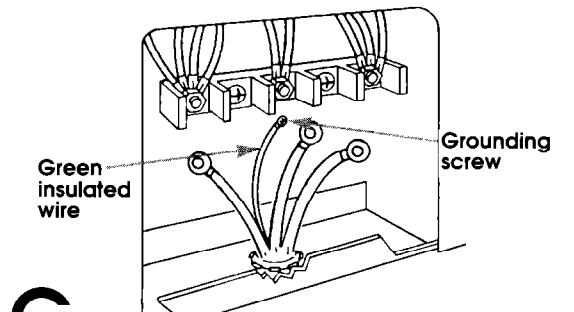
A. If you are using a power supply cord (pigtail), use a U.L.-listed strain relief and insert it into the hole below the terminal block. Insert power supply cord through the strain relief allowing enough slack to easily attach to terminal block.

Use only ring-type terminals to connect power supply cord. Use 3/8" nuts (provided with the range) to secure the power supply cord. Do Not loosen factory-installed nuts already installed on the terminal. Be sure factory-installed nuts are tight.

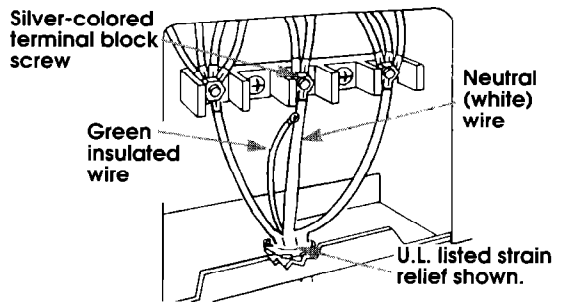
If you are direct wiring the range, strip outer covering back 3 inches from end to expose wires. Strip insulation back about 1 inch from end of each wire and bend bare wire into a "U" shape. Insert a conduit connector into hole below terminal block. Thread wires through conduit connector allowing enough slack to easily attach wires to terminal block.



B. Remove the grounding-link screw from the range frame. Save the grounding screw. Remove grounding link.



C. Connect the green grounding wire to the range using the grounding screw removed in Step B. The green grounding wire **must** be attached first and **must not** contact any other terminal.



D. Connect the neutral (white) wire to the center, silver-colored terminal screw on the terminal block. Connect the other two wires to the outer terminals on the terminal block.

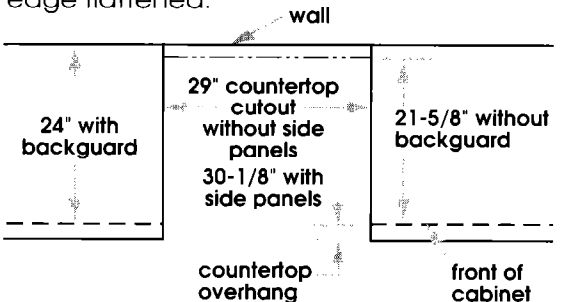
Use only ring-type terminals to connect power supply cord. Use 3/8" nuts (provided with the range) to secure the power supply cord. Do Not loosen factory-installed nuts already installed on the terminal. Be sure factory-installed nuts are tight.

E. Tighten the strain relief screws or the conduit connector clamping screws. Replace the terminal block cover.

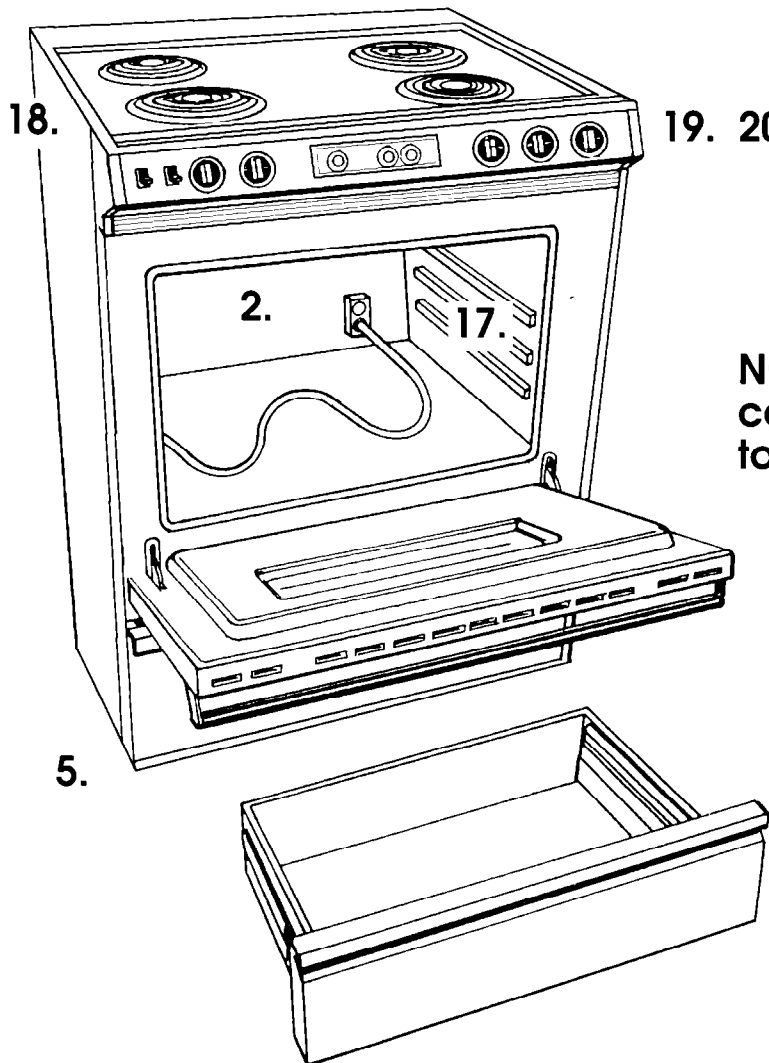
F. Continue installation at Step 10, Panel B.

Countertop preparation.

Metal-edged countertops must have trim cut back 3/8" from each front corner opening. Formed, front-edge countertops must have molded edge shaved 3/8" from each front corner of opening. Tile countertops may need trim cut back 3/8" from each front corner and/or rounded edge flattened.



6. 7. 8. 9.



Numbers correspond to steps.

If the range does not operate...

- Check that the circuit breaker is not tripped or the house fuse blown.
- Check that power supply cord is plugged into wall receptacle.

NOTE:

Refer to Use and Care Guide for operating instructions and cleaning instructions.

For cleaning and maintenance...

If removing the range is necessary for cleaning and maintenance, disconnect electric supply.

If electrical supply is inaccessible, lift the range slightly at the front and pull the range out of the way from the wall. Pull the range out only as far as necessary to disconnect the electric supply line.

Remove the range to complete cleaning or maintenance.

Move range back into operating position. Level the range. Reconnect the electrical supply. Make sure that leveling legs are engaged in anti-tip brackets.



WARNING

Personal Injury Hazard

Do Not step, lean or sit on the range drawer or door.

Failure to follow this instruction could result in personal injury and/or product damage.

If you need assistance...

Check your Use and Care guide for a toll-free number to call or call the dealer from whom you purchased this appliance. The dealer is listed in the Yellow Pages of your phone directory under "Appliances – Major".

When you call, you will need the range number and serial number. Both numbers are on the serial/rating plate, located under the cooktop.