

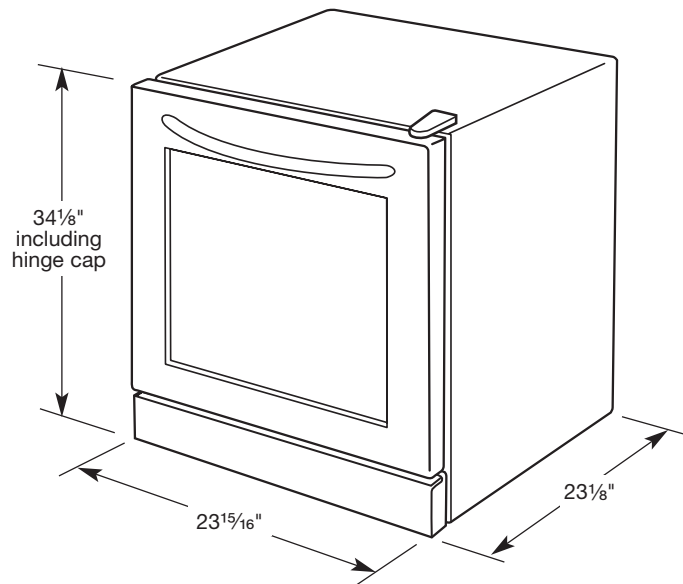
# KitchenAid® Wine Cellar, Overlay Model

## PRODUCT MODEL NUMBERS

KUWA244P  
KUWO244P

**Electrical:** A 115 Volt, 60-Hz., AC only 15- or 20-amp fused (or circuit breaker), grounded electrical supply is required. It is recommended that a separate circuit serving only your refrigerator be provided. Use an outlet that cannot be turned off by a switch. Do not use an extension cord.

## OVERALL DIMENSIONS



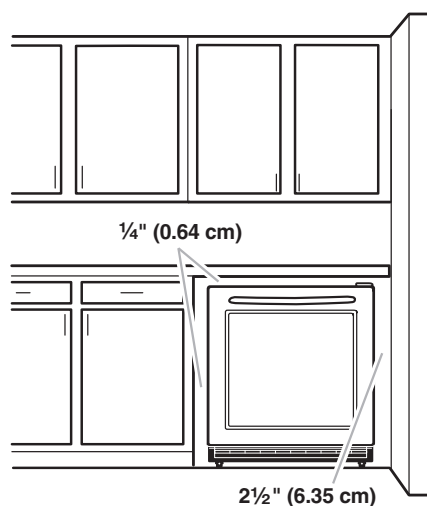
### Custom Overlay Frame

If you plan to install a custom overlay frame, you will need to create the frame yourself or consult a qualified cabinetmaker or carpenter. See "Overlay Frame Dimensions" in the Use and Care Guide for frame specifications in creating your overlay frame.

#### IMPORTANT:

- The thickness of the overlay frame must be  $\frac{3}{4}$ " (1.91 cm).
- Overlay frame must not weigh more than 20 lbs. (9.07 kg).
- Overlay frames weighing more than recommended may cause damage to your wine cellar.
- Before creating the custom overlay frame, determine the direction you want the door to swing. Custom overlay frames are hinge specific. A frame that is created for a right-hinge door swing cannot be used for a left-hinge door swing.

## LOCATION REQUIREMENTS



To ensure proper ventilation for your refrigerator, allow for a  $\frac{1}{4}$ " (0.64 cm) space on each side and at the top. When installing your refrigerator next to a fixed wall, leave 2 $\frac{1}{2}$ " (6.35 cm) minimum clearance on each side to allow for the door to swing open.

**NOTE:** Do not install the refrigerator near an oven, radiator, or other heat source, nor in a location where the temperature will fall below 55°F (13°C). For best performance, do not install the refrigerator behind a cabinet door or block the base grille.