

---

# OWNER'S GUIDE

## PLHV36W6KC

---

READ AND SAVE THESE INSTRUCTIONS

### Contents

Product Registration .....	2
Important Safety Instructions .....	3
Installation .....	4-7
Use and Care .....	8
Hood Cleaning .....	8
Lights Replacement .....	9
Warranty .....	12

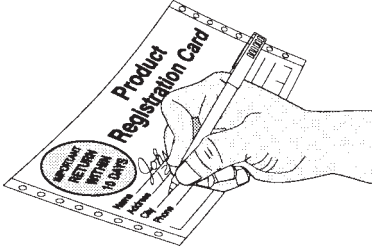
# Range Hood

---

## Product Registration

### Register your Product

The self-addressed **PRODUCT REGISTRATION CARD** should be filled in completely, signed and returned to the Frigidaire Canada.



This Owner's Guide contains general operating instructions for your range hood and feature information for several models. Your range hood **may not** have all the described features.

**Note:** The instructions appearing in this Owner's Guide are not meant to cover every possible condition and situation that may occur. Common sense and caution must be practiced when installing, operating and maintaining any appliance.

**Thank you for choosing this appliance.** The information contained within this Owner's Guide will instruct you on how to properly operate and care for your range hood. Please read through the information contained in your literature pack to learn more about your new appliance.

### Record Your Model and Serial Numbers

Record in the space provided below the model and serial numbers found on the serial plate located on the right hand side of the range hood.

**Model Number:** \_\_\_\_\_

**Serial Number:** \_\_\_\_\_

**Date of Purchase:** \_\_\_\_\_

# Important Safety Instructions

## READ AND SAVE THESE INSTRUCTIONS

Take care when using cleaning agents or detergents.  
Suitable for use in household cooking area

**CAUTION** - To reduce risk of fire and to properly exhaust air, be sure to duct air outside – Do not vent exhaust air into spaces within walls or ceilings or into attics, crawl spaces, or garages.

**CAUTION** - For General Ventilating Use Only. Do Not Use To Exhaust Hazardous Or Explosive Materials And Vapors.

**WARNING** – TO REDUCE THE RISK OF FIRE, ELECTRIC SHOCK, OR INJURY TO PERSONS, OBSERVE THE FOLLOWING:

- a. Use this unit only in the manner intended by the manufacturer. If you have questions, contact the manufacturer.
- b. Before servicing or cleaning unit, switch power off at service panel and lock the service disconnecting means to prevent power from being switched on accidentally. When the service disconnecting means cannot be locked, securely fasten a prominent warning device, such as a tag, to the service panel.

**WARNING** – TO REDUCE THE RISK OF A RANGE TOP GREASE FIRE:

- a. Never leave surface units unattended at high settings. Boilovers cause smoking and greasy spillovers that may ignite. Heat oils slowly on low or medium settings.
- b. Always turn hood ON when cooking at high heat or when cooking flaming foods.
- c. Clean ventilating fans frequently. Grease should not be allowed to accumulate on fan or filter.
- d. Use proper pan size. Always use cookware appropriate for the size of the surface element.

**WARNING** – TO REDUCE THE RISK OF INJURY TO PERSONS IN THE EVENT OF A RANGE TOP GREASE FIRE, OBSERVE THE FOLLOWING:

- a. SMOTHER FLAMES with a close-fitting lid, cookie sheet, or metal tray, then turn off the burner. BE CAREFUL TO PREVENT BURNS. If the flames do not go out immediately, EVACUATE AND CALL THE FIRE DEPARTMENT.
- b. NEVER PICK UP A FLAMING PAN – You may be burned.
- c. DO NOT USE WATER, including wet dishcloths or towels – a violent steam explosion will result.
- d. Use an extinguisher ONLY if:
  1. You know you have a Class ABC extinguisher, and you already know how to operate it.
  2. The fire is small and contained in the area where it started.
  3. The fire department is being called.
  4. You can fight the fire with your back to an exit.

**WARNING** – TO REDUCE THE RISK OF FIRE, ELECTRIC SHOCK, OR INJURY TO PERSONS, OBSERVE THE FOLLOWING:

- a) Installation work and electrical wiring must be done by qualified person(s) in accordance with all applicable codes and standards, including fire-rated construction.
- b) Sufficient air is needed for proper combustion and exhausting of gases through the flue (chimney) of fuel burning equipment to prevent back drafting. Follow the heating equipment manufacturer's guideline and safety standards such as those published by the National Fire Protection Association (NFPA), and the American Society for Heating, Refrigeration and Air Conditioning Engineers (ASHRAE), and the local code authorities.
- c) When cutting or drilling into wall or ceiling, do not damage electrical wiring and other hidden utilities.
- d) Ducted fans must always be vented to the outdoors.

**WARNING** - TO REDUCE THE RISK OF FIRE, USE ONLY METAL DUCTWORK.



## **! WARNING**

**Electrical Shock Hazard** - Can result in serious injury or death.  
Disconnect appliance from electric power before servicing.  
If equipped, the fluorescent light bulb contains small amounts of mercury which must be recycled or disposed of according to Local, State, and Federal Codes.

# Installation

**FOR RESIDENTIAL USE ONLY  
NOT TO BE INSTALLED OVER GAS GRILLS  
PLEASE READ ENTIRE INSTRUCTIONS BEFORE PROCEEDING.  
INSTALLATION MUST COMPLY WITH ALL LOCAL CODES.**

**IMPORTANT:** Save these Instructions for the Local Electrical Inspector's use.

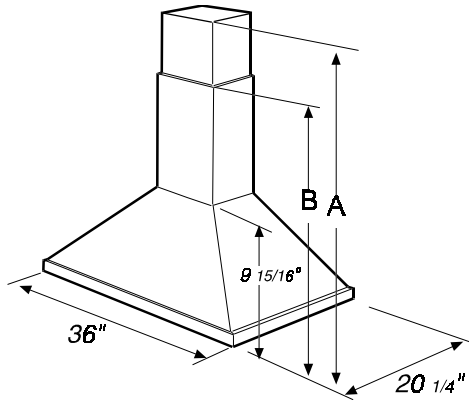
**INSTALLER:** Please leave these Instructions with this unit for the owner.

**OWNER:** Please retain these instructions for future reference.

**Safety Warning:** Turn off power circuit at the service entrance and lock out panel, before wiring this appliance.

Requirement: 120 V AC, 60 Hz. 15 or 20 A

## Dimensions



**Figure 1\***

Note: All dimensions are shown in inches.

\* Dimensions are given from base of hood to ceiling, and include clearance required for installation.

Dimensions	
A (Range of adjustable ht.)*	$33 \frac{7}{16} - 42 \frac{3}{8}$
B (Min. ht. with one cover)*	26
W (width) x D (depth)	$8 \frac{3}{16} \times 6 \frac{7}{8}$
AA (Cover adjustable ht.)	$23 \frac{7}{16} - 32 \frac{15}{16}$
BB (Cover min. height)	16

Weight: 42 lbs

Diameter of Transition: 6"

Diameter of exhaust Duct required: 6"

### Considerations before installing Hood

- For the most efficient air flow exhaust, use a straight run or as few elbows as possible.  
**CAUTION:** Vent unit to outside of building, only.
- If allowed in your area, use metallic flex ducting only to connect rigid duct directly to transitions.
- COLD WEATHER installations should have an additional backdraft damper installed to minimize backward cold air flow and a nonmetallic thermal break to minimize conduction of outside temperatures as part of the ductwork. The damper should be on the cold air side of the thermal break. The break should be as close as possible to where the ducting enters the heated portion of the house.
- Hood installation height above cooktop is the users preference. The lower the hood above the cooktop, the more efficient the capturing of cooking odors, grease and smoke. We recommends the hood be installed 30-36" above the countertop. The lower height may be inconvenient for tall people and large cooking vessels. Check your ceiling height and the hood height maximum before you select your hood.

# Installation

## Tools required for installation

Screw driver  
(flat head, pozidrive n°2 and torx 10)

Allen spanner 4mm

Electric drill with twist bit Ø 10 mm

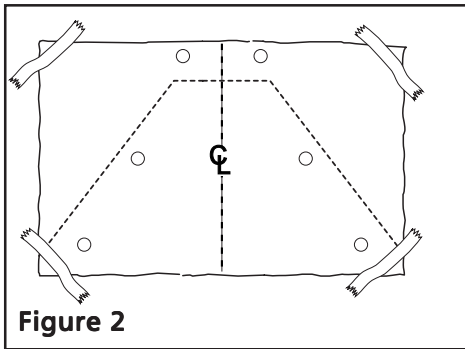


Figure 2

## Preparation of mounting surface (Drywall)

1. Select a mounting height comfortable for the user and mark on wall behind cooktop.
2. Mark center line of cooktop and draw vertical line from bottom of hood to the ceiling.
3. Tape template, matching center-line and hood bottom as shown in Figure 2.
4. Mark centers of the 6 fastener locations through template on wall then remove template.
5. Mark wall with horizontal line 1" above highest and 1" below lowest fastener location.
6. Find studs behind drywall by tapping wall or using a stud finder. Mark the center of the studs with a vertical line to the right and left of the marked fastener location.  
**Note:** 2 x 6's must span at least 2 studs side to side.
7. Cutout drywall along marked lines. Install 2 x 6's between studs firmly flush with stud front. Make sure all mounting screws will anchor to added lumber. Replace drywall and refinish.
8. Remark center line and hood bottom on same location as before and tape template on wall as in step 3 above.
9. Mount 2 mounting hooks with wood screws (supplied in mounting hardware kit) on locations marked on template, then remove template.
10. Install duct cover ceiling bracket to wall flush to ceiling with drywall anchors supplied. Figure 3.

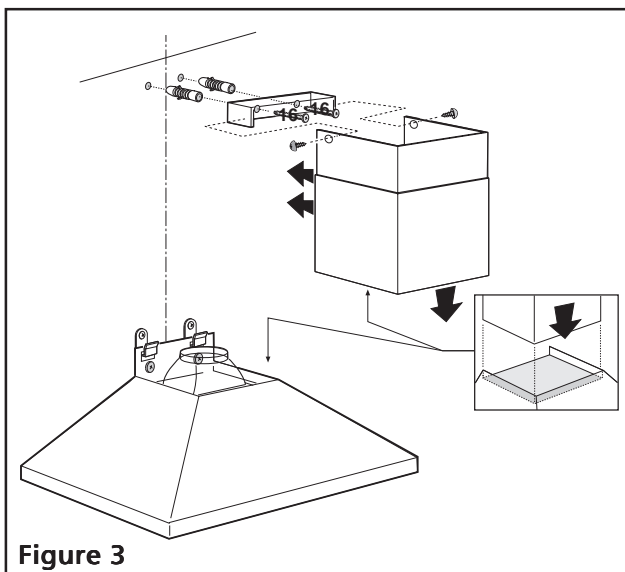
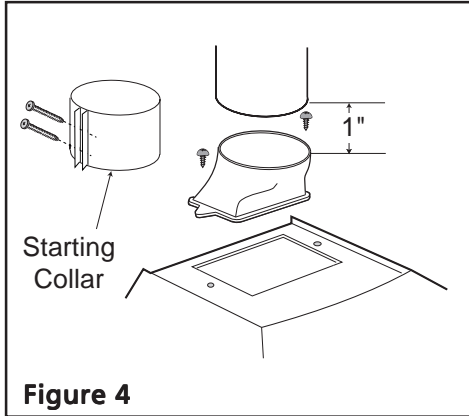


Figure 3

## Installation

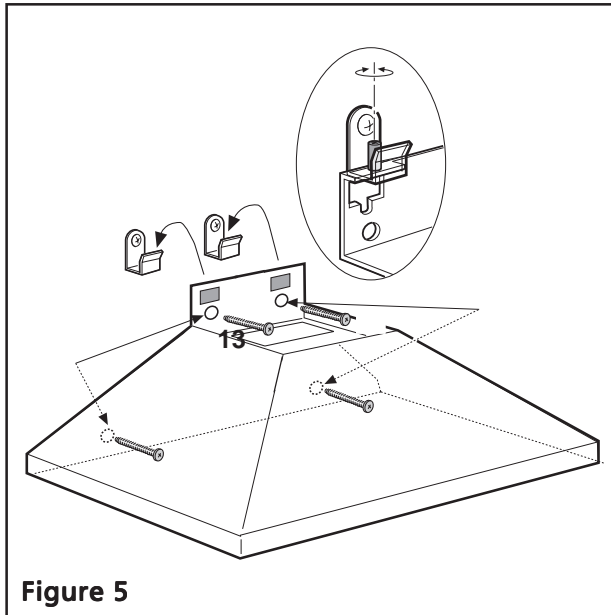


### Appliance Installation:

11. Install transition on top of hood if removed for shipping. Figure 4.
12. Hang hood on 2 mounting hooks through the rectangular cutouts on back of hood. Figure 5
13. Level the appliance, using a carpenters level across bottom of hood with leveling screws in mounting hooks or rectangular cutouts.
14. Secure hood with 2 screws on top and 2 screws on bottom. See Figure 5.
15. Connect ducting (Figure 4).

Note: for blower serviceability, leave a gap of 1" minimum between top of transition and sheet metal duct and cover gap with a starting collar wrapped around duct and transition. Locate collar screws so they fit into corner of duct cover. Secure collar to transition and duct with three sheet metal screws each. Seal with duct tape.

**Do not use duct smaller than the transition.**



# Installation

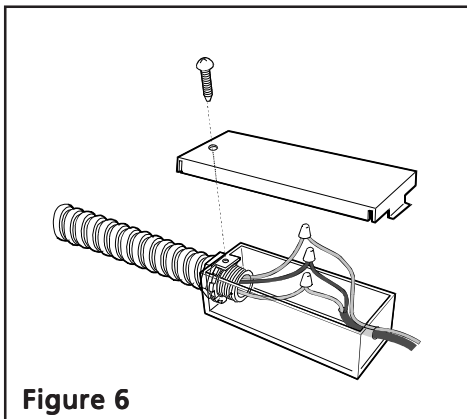
## Wiring to Power Supply

### WARNING!

#### ELECTRICAL GROUNDING INSTRUCTIONS

THIS APPLIANCE IS FITTED WITH AN ELECTRICAL JUNCTION BOX WITH 3 WIRES, ONE OF WHICH (GREEN/YELLOW) SERVES TO GROUND THE APPLIANCE. TO PROTECT YOU AGAINST ELECTRIC SHOCK, THE GREEN AND YELLOW WIRE MUST BE CONNECTED TO THE GROUNDING WIRE IN YOUR HOME ELECTRICAL SYSTEM, AND IT MUST UNDER NO CIRCUMSTANCES BE CUT OR REMOVED.

Warning: Turn off power circuit at the service panel before wiring this unit. 120 VAC, 15 or 20 Amp circuit required.

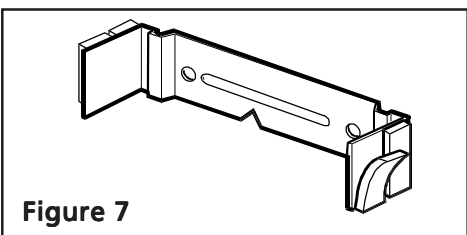


16. Remove the knockout and install the conduit connector (1/2") in junction box.
17. Run 3 wires; black, white and green (#16AWG) in 1/2" conduit from service panel to junction box.
18. Connect black wire from service panel to black or red in junction box, white to white and green to green-yellow. Figure 6.
19. Close junction box cover. Check all light bulbs to make sure they are secure in their sockets. Turn power on in service panel. Check lights and blower operation per Care & Use section of this manual. Install filters.

## Final Assembly

20. Install duct cover per Figure 3. Make sure to leave this manual for the home owner.
21. Make sure to leave this manual for the home owner.

## Alternate - reduced ceiling height Installation:



The hood may be installed with only the lower part of the duct cover to reduce the overall height.

For the duct cover to slide down and engage the top of the hood, the ceiling bracket must be mounted 1/4" below the ceiling.

The resulting space on top of the chimney can be filled with a 1/4" thick piece of plywood cut to the inside cross section of the chimney cover and finished to match the ceiling.

Cut the self-adhesive rubber tape supplied with the hood in 4 identical sections. Attach two pieces of tape to each side of the ceiling bracket. Figure 7.

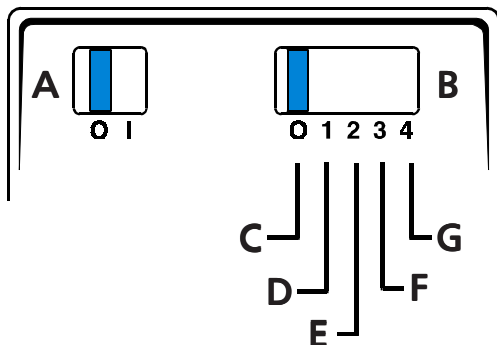
Snap lower chimney duct cover into place around ceiling bracket.

## Rear discharge:

A 90° elbow may be installed immediately above the hood. For serviceability, a mounting similar to the straight up discharge shown in Figure 4 should be used.

## Use and Care

READ THE INSTRUCTIONS CAREFULLY BEFORE USING THE HOOD.  
For satisfactory use of your hood, become familiar with the various functions of the hood as described below



- A. Light ON-OFF switch
- B. Motor ON-OFF switch
- C. Motor OFF
- D. Motor speed 1 (low)
- E. Motor speed 2 (med)
- F. Motor speed 3 (high)
- G. Motor speed 4 (very high)

Figure 8

### Operating Instructions

The blower should be turned on for about 5 minutes **before** cooking in order to establish air currents upward through the hood.

Use the low speeds for normal use and the higher speeds for strong odors or fumes.

Minimize cross drafts which will reduce the effectiveness of the hood.

## Hood Cleaning

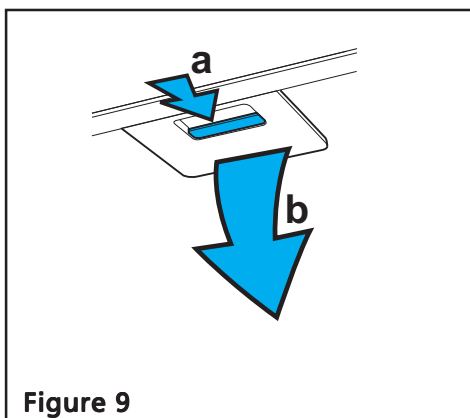


Figure 9

Be sure lights are cool before cleaning the hood.

### To Clean Filters

- The metal grease filters will last forever. They are made of anodized aluminum
- It is recommended that the filters be washed at least once a month; they can be washed by hand or in the dishwasher.
- Drain water through edge holes and let each filter dry thoroughly before replacing it.

### To Remove The Metal Grease Filters

- Turn blower and lights off.
- Push each handle towards the center and pull downwards Figure 9.

### To Replace The Metal Grease Filters

- Reverse procedure.

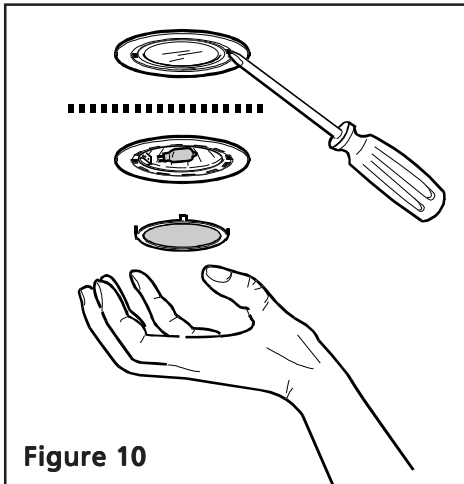
### To Clean Hood Surface

- For general care, wipe the outside of the stainless steel, white, black or glass hood with sudsy water or household cleaners such as Fantastic® or Formula 409®, rinse well and dry with clean soft cloth to avoid water marks.
- Wipe and dry brushed stainless steel in the same direction as the grain.
- Do not use abrasive products.
- To remove finger prints and give added shine use spray cleaners such as Stainless Steel Magic® and Shimmer®.



## Lights replacement Figure 10

**NOTE: Turn blower and lights off. Make sure the lights are cool.** If new lights do not operate be sure lights are inserted correctly before calling service.



- Using a flat head screwdriver or equivalent tool, carefully pry loose the light cover.
- Remove the damaged light and replace with a new 12 Volt, 20 Watt (maximum) halogen light made for a G-4 base. Follow package directions and do not touch new light with bare hands.
- Reinstall the light cover.

Figure 10





# RANGE HOOD WARRANTY

Your range hood is protected by this warranty

	WARRANTY PERIOD	THROUGH OUR AUTHORIZED SERVICERS, WE WILL:	THE CONSUMER WILL BE RESPONSIBLE FOR:
<b>FULL ONE-YEAR WARRANTY</b>	One year from original purchase date.	Pay all costs for repairing or replacing any parts of this appliance which prove to be defective in materials or workmanship.	Costs of service calls that are listed under <b>NORMAL RESPONSIBILITIES OF THE CONSUMER.*</b>
<b>LIMITED WARRANTY (Applicable to the State of Alaska)</b>	Time periods listed above.	All of the provisions of the full and limited warranties above and the exclusions listed below apply.	Costs of the technician's travel to the home and any costs for pick up and delivery of the appliance required because of service.

In the U.S.A., your appliance is warranted by Electrolux Home Products North America, a division of White Consolidated Industries, Inc. We authorize no person to change or add to any of our obligations under this warranty. Our obligations for service and parts under this warranty must be performed by us or an authorized Electrolux Home Products North America servicer. In Canada, your appliance is warranted by WCI Canada, Inc.

**\*NORMAL RESPONSIBILITIES OF THE CONSUMER**

**This warranty applies only to products in ordinary household use, and the consumer is responsible for the items listed below:**

1. Proper use of the appliance in accordance with instructions provided with the product.
2. Proper installation by an authorized servicer in accordance with instructions provided with the appliance and in accordance with all local plumbing, electrical and/or gas codes.
3. Proper connection to a grounded power supply of sufficient voltage, replacement of blown fuses, repair of loose connections or defects in house wiring.
4. Expenses for making the appliance accessible for servicing, such as removal of trim, cupboards, shelves, etc., which are not a part of the appliance when it was shipped from the factory.
5. Damages to finish after installation.
6. Replacement of light bulbs and/or fluorescent tubes (on models with these features).

**EXCLUSIONS**

**This warranty does not cover the following:**

1. CONSEQUENTIAL OR INCIDENTAL DAMAGES SUCH AS PROPERTY DAMAGE AND INCIDENTAL EXPENSES RESULTING FROM ANY BREACH OF THIS WRITTEN OR ANY IMPLIED WARRANTY.  
**NOTE:** Some states do not allow the exclusion or limitation of incidental or consequential damages, so this limitation or exclusion may not apply to you.
2. Service calls which do not involve malfunction or defects in workmanship or material, or for appliances not in ordinary household use. The consumer shall pay for such service calls.
3. Damages caused by services performed by servicers other than Electrolux Home Products North America or its authorized servicers; use of parts other than genuine Electrolux Home Products parts; obtained from persons other than such servicers; or external causes such as abuse, misuse, inadequate power supply or acts of God.
4. Products with original serial numbers that have been removed or altered and cannot be readily determined.

**IF YOU NEED SERVICE**

Keep your bill of sale, delivery slip, or some other appropriate payment record. The date on the bill establishes the warranty period should service be required. If service is performed, it is in your best interest to obtain and keep all receipts. This written warranty gives you specific legal rights. You may also have other rights that vary from state to state. Service under this warranty must be obtained by contacting Electrolux Home Products:

This warranty only applies in the 50 states of the U.S.A., Puerto Rico, and Canada. Product features or specifications as described or illustrated are subject to change without notice. All warranties are made by Electrolux Home Products North America, a division of White Consolidated Industries, Inc. In Canada, your appliance is warranted by WCI Canada, Inc.

03-U-RH-02

**USA**

800•944•9044  
Electrolux Home Products North America  
P.O. Box 212378  
Augusta, GA 30917

**Canada**

866•213•9397 (English)  
866•294•9911 (French)  
Electrolux Home Products North America  
6150 McLaughlin Road  
Mississauga, Ontario, Canada  
L5R 4C2

# GARANTIE DE LA HOTTE DE CUISINE

La hotte de cuisine que vous avez achetée est couverte par la présente garantie

PERIODE DE GARANTIE	SERVICES OFFERTS À TRAVERS NOS CENTRES DE SERVICE APRÈS-VENTE AUTORISÉS:	RESPONSABILITÉ DE L'ACHETEUR:
GARANTIE TOTALE Une année à compter de la date d'achat initiale.	Couverture de tous les frais de réparation ou remplacement des pièces de l'appareil qui se révèlent défectueuses au niveau des matériaux ou de l'usage.	Paiement des frais indiqués dans le paragraphe après-vente indiqués dans le paragraphe "RESPONSABILITÉS NORMALES DE L'ACHETEUR".
GARANTIE LIMITÉE (applicable pour l'Alaska) Périodes indiquées ci-dessus	Couverture des frais sur la base des clauses des garanties totales et limitées mentionnées ci-dessus et des exclusions de garantie indiquées ci-dessous.	Paiement des frais de déplacement et d'intervention du technicien au domicile de l'acheteur ainsi que les frais de retrait et de livraison de l'appareil pour le service après-vente.

L'appareil acheté aux États-Unis est couvert par la garantie Electrolux Home Products North America, une division de White Consolidated Industries, Inc. Les soussignés n'autorisent aucune modification ou adjonction aux obligations assumées en vertu de la présente garantie. L'accomplissement des obligations assumées pour le service après-vente et la fourniture de pièces de rechange en vertu de la présente garantie est exclusivement du ressort des soussignés ou d'un centre de service après-vente autorisé par Electrolux Home Products North America. Au Canada, l'appareil acheté est couvert par la garantie WCI Canada, Inc.

## \*RESPONSABILITÉ DE L'ACHETEUR

La présente garantie concerne uniquement les produits destinés à un emploi normal dans un contexte domestique et elle attribue à l'acheteur les responsabilités suivantes:

1. Emploi correct de l'appareil, conformément aux instructions fournies avec le produit.
2. Installation correcte effectuée par un centre de service après-vente autorisé, conformément aux instructions fournies avec l'appareil et en plein respect des règlements locaux en matière d'installations électriques.
3. Connexion à une source d'alimentation avec mise à la terre ayant une tension appropriée, remplacement des fusibles grillés, réparation des connexions interrompues ou rectification des panes de l'installation hydrauliques et/ou du gaz.
4. Frais soutenus afin de garantir l'accès à l'appareil pour les interventions d'entretien ou de réparation, y compris le retrait de fournitures, meubles, armoires suspendues, etc. qui ne font pas partie de l'appareil au moment de la livraison de la part de l'usine de production.
5. Dommages aux finitions à la suite de l'installation.
6. Remplacement des lampes et/ou tubes fluorescents (sur les modèles équipés de ces éléments).

## EXCLUSIONS

- La présente garantie n'intervient pas dans les cas suivants:
1. DOMMAGES DÉCLARÉS OU INDIRECTS, PARMIL LESQUELS LES DOMMAGES À LA PROPRIÉTÉ, ET LES FRAIS INDIRECTS DÉRIVANT DE LA VIOLATION DE LA PRÉSENTE GARANTIE ÉCRITE OU DE TOUTE AUTRE GARANTIE IMPLICITE.
  2. Certains Pays n'autorisent pas l'exclusion ou la limitation des dommages déclarés ou indirects par rapport à la garantie. Pour ce motif, ladite exclusion ou limitation peut ne pas concerner l'appareil que vous avez acheté.
  3. Appels au service après-vente ne concernant pas le fonctionnement défectueux ou les défauts du matériau/de l'usinage ou relatifs aux appareils non destinés à l'emploi normal dans le contexte domestique. L'acheteur est tenu de régler le paiement pour lesdits appels au service après-vente.
  4. Dommages consécutifs aux prestations des techniciens d'un service après-vente non appartenant à Electrolux Home Products North America ou à ses centres autorisés; emploi de pièces de rechange non originales obtenues dans des centres non appartenant à Electrolux Home Products; causes externes telles que: abus, emploi impropre, installation d'alimentation non appropriée ou causes de force majeure.
  5. Produits dont les numéros de série originaux ont été retirés ou altérés et ne pouvant pas être identifiés immédiatement.

## SI L'ON DEMANDE ASSISTANCE

Conservé la facture d'achat, le bulletin de livraison ou tout autre reçu attestant le paiement. La date reportée sur la facture établit les termes de la garantie pour la demande d'assistance. Il est dans vos intérêts d'obtenir et conserver tous les reçus, dans l'éventualité où une intervention du service après-vente devrait se révéler nécessaire. La présente garantie écrite vous confère des droits légaux spécifiques. Des droits ultérieurs pourront vous être conférés sur la base de la législation en vigueur dans les différents Pays, pour la demande d'assistance en garantie, s'adresser à Electrolux Home Products.

La présente garantie est valable uniquement dans les 50 Pays qui constituent les États-Unis d'Amérique, au Porto Rico et au Canada. Les caractéristiques et les spécifications techniques décrites ou illustrées pour les produits sont peut-être sans préavis. Toutes les garanties offertes sont assurées par Electrolux Home Products North America, une division de White Consolidated Industries, Inc. In Canada, l'appareil bénéficie de la garantie de WCI Canada, Inc.

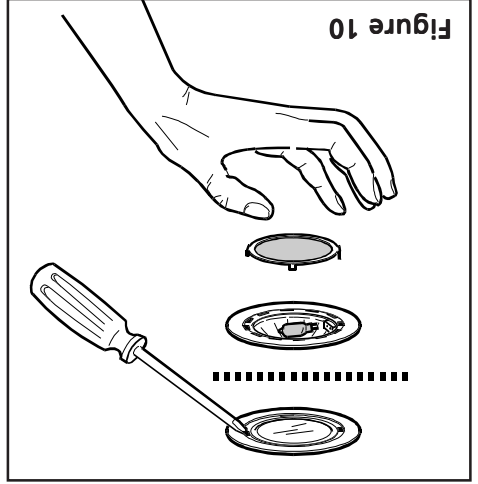
Canada  
866•213•9397 (Anglais)  
866•294•9911 (Français)  
Electrolux Home Products North America  
6150 McLaughlin Road  
Mississauga, Ontario, Canada  
LSR 4C2

USA  
800•944•9044  
Electrolux Home Products North America  
P.O. Box 212378  
Augusta, GA 30917



## Remplacemant des lampes

Figure 10



- REMARQUE: Éteindre le rotor et les lampes. S'assurer que les lampes soient froides. Si les lampes neuves ne fonctionnent pas, vérifier qu'elles soient insérées correctement avant de contacter le Service après-vente.
- En utilisant un tournevis à tête plate ou un outil équivalent, retirer le plafonnier, en faisant très attention.
  - Retirer la lampe endommagée puis remplacer celle-ci par une lampe halogène 12 Volts, 20 Watt (maximum) pour un socle G-4. Suivre les instructions reportées sur l'emballage. Ne pas toucher la lampe neuve des mains nues.
  - Remonter le plafonnier.

LIRE ATTENTIVEMENT LES INSTRUCTIONS AVANT D'UTILISER LA HOTTE. Afin de pouvoir utiliser la hotte de façon satisfaisante il faut se familiariser avec toutes ses fonctions:

A. Interrupteur ON/OFF d'allumage et extinction des lumières

B. Interrupteur ON-OFF d'allumage et extinction du moteur

C. Moteur éteint (OFF)

D. Vitesse moteur 1 (faible)

E. Vitesse moteur 2 (moyenne)

F. Vitesse moteur 3 (grande)

G. Vitesse moteur 4 (très grande)

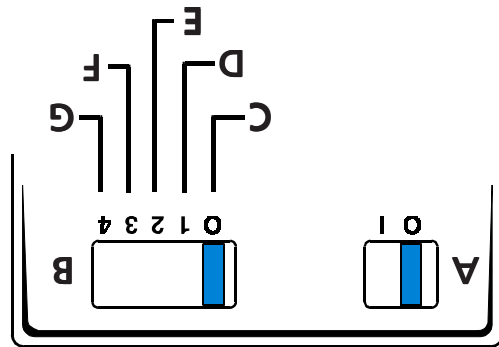


Figure 8

Nous conseillons d'allumer le rotor de ventilation environ 5 minutes avant de commencer la cuisson, afin d'activer le tirage des courants d'air à travers la hotte.  
 Définir une vitesse réduite pour les conditions d'emploi normales et une vitesse plus élevée en cas de fumée ou odeurs intenses.  
**Réduire au maximum les courants de tirage transversaux susceptibles de réduire l'efficacité de la hotte.**

## Nettoyage de la Hotte

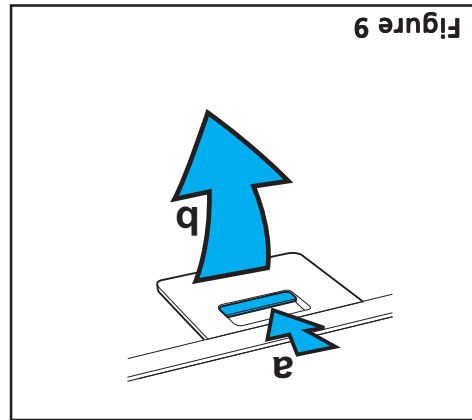


Figure 9

S'assurer que les lampes se soient refroidies avant d'effectuer le nettoyage de la hotte.

### Nettoyage des filtres

- Les filtres métalliques anti-graisse sont réalisés en aluminium anodisé et leur durée de vie est illimitée.
- Nous recommandons de nettoyer les filtres au moins une fois pas mois. Les filtres peuvent être lavés à la main ou au lave-vaisselle.
- Evacuer l'eau à travers les trous sur le bord puis laisser sécher totalement les filtres avant de les remonter.

### Retrait des filtres métalliques anti-graisse

- Éteindre le rotor de ventilation et les lampes.
- Pousser chaque poignée au milieu et vers le bas (Figure 9).

### Remplacement des filtres métalliques anti-graisse

- Suivre la procédure à rebours.

### Nettoyage de la surface de la hotte

- Pour le nettoyage général des hottes blanches ou noires, en acier inox ou en verre, passer sur la surface externe un chiffon imbibé d'eau savonneuse ou de détergent pour emploi domestique (type Fantastic®, Formula 409®, etc.), puis rincer avec soin et sécher avec un chiffon souple et sec afin d'éliminer toute trace.
- Nettoyer puis sécher l'acier inox usiné, en suivant le sens de l'usinage.
- Ne pas utiliser des produits abrasifs.
- Pour éliminer les traces d'empreintes et intensifier l'éclat des surfaces, utiliser des sprays détergents, par exemple: Stainless Steel Magic® et Shimmer®.



**AVERTISSEMENTS!**  
 LE PRÉSENT APPAREIL EST ÉQUIPÉ D'UNE BOÎTE DE CONNEXION ÉLECTRIQUE ÉQUIPÉE DE 3 FILS, DONT UN (VERT/JAUNE) EST DESTINÉ À LA CONNEXION DE TERRE DE L'APPAREIL.  
 POUR LA PROTECTION CONTRE LE RISQUE DE CHOC ÉLECTRIQUES, LE FIL VERT ET JAUNE DOIT ÊTRE CONNECTÉ AU FIL DE TERRE DE L'INSTALLATION ÉLECTRIQUE DOMESTIQUE ET IL NE DOIT PAS – POUR QUELQUE RAISON QUE CE SOIT – ÊTRE COUPÉ OU ENLEVÉ.

Avertissement: Avant de préparer les connexions électriques, interrompre le circuit d'alimentation du panneau de commande. Alimentation requise: 120 V C.A., 15 ou 20 Amp.

**16.** Retirer la partie prédécoupée et installer le connecteur de la conduite (1/2") dans la boîte de connexion.

**17.** Installer les 3 fils noir, blanc et vert (#16AWG) dans la conduite de 1/2" entre le panneau de commandes et la boîte de connexion.

**18.** Connecter le fil noir du panneau de commandes au fil noir ou rouge de la boîte de connexion, le fil blanc au fil blanc et le fil vert au fil vert/jaune (Figure 6).

**19.** Fermer le couvercle de la boîte de connexion. Contrôler toutes les lampes pour vérifier qu'elles soient correctement fixées aux douilles correspondantes. Activer l'alimentation du panneau de commandes.

Contrôler les lampes et le fonctionnement du rotor de ventilation, en suivant les instructions fournies dans la section Emploi et Entretien du présent manuel. Installer les filtres.

**Montage final**

**20.** Installer la couverture de la conduite, comme décrit dans la Figure 3. Ne pas oublier de laisser le présent manuel à disposition du propriétaire.

**21.** Ne pas oublier de laisser le présent manuel à disposition du propriétaire.

**Installation alternative avec hauteur réduite par rapport au plafond:**

Il est également possible d'installer la hotte uniquement avec la partie inférieure de la couverture de la conduite, de façon à réduire la hauteur totale de l'installation. Pour faire en sorte que la couverture de la conduite descende pour s'insérer sur la partie la plus haute de la hotte, il faut monter la bride à une distance de 1/4" par rapport au plafond.

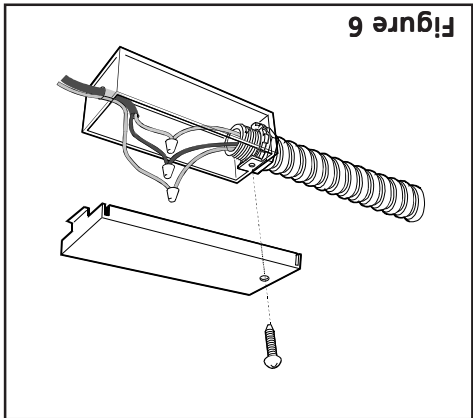
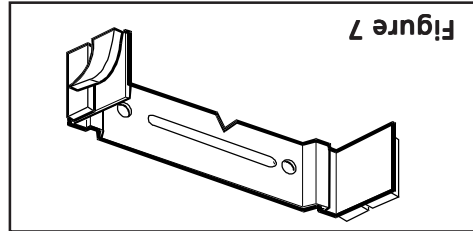
L'espace obtenu sur la partie la plus haute de la cheminée peut être remplie avec un élément en contre-plaqué ayant une épaisseur de 1/4", qui sera coupé en fonction de la section interne de la couverture de la cheminée avec finition parfaitement alignée avec le plafond.

Couper le ruban adhésif fourni avec la hotte en 4 parties ayant la même longueur. Fixer deux bandes de ruban adhésif de chaque côté de la bride au plafond (Figure 7).

Encliquer la couverture de la conduite sur la bride.

**Évacuation arrière:**

Il est possible d'installer un coude à 90° immédiatement au-dessus de la hotte. Afin de garantir l'efficacité du fonctionnement, nous conseillons d'effectuer un montage analogue pour l'évacuation verticale illustrée dans la Figure 4.



## Installation

### Installation de l'appareil:

11. Si le raccord a été retiré pour effectuer le transport, il faudra ensuite l'installer sur la partie la plus haute de la hotte (Figure 4).

12. Suspendre la hotte aux 2 crochets de montage, en utilisant les ouvertures rectangulaires qui se trouvent sur la partie arrière de la hotte (Figure 5).

13. Stabiliser l'appareil en appliquant un niveau sur le fond de la hotte et en introduisant les vis de niveau spécialement prévues dans les crochets de montage ou dans les ouvertures rectangulaires.

14. Fixer la hotte en appliquant 2 vis sur la partie la plus haute et 2 vis sur le fond (Figure 5).

15. Connecter les canalisations (Figure 4).

Remarque: afin de garantir un fonctionnement correct du rotor de haute du raccord et la conduite en tôle métallique puis recouvrir l'espace avec un collier de connexion qu'il faudra insérer sur la conduite et le raccord. Positionner les vis du collier de façon à ce qu'elles s'insèrent aux coins de la couverture de la conduite. Fixer le collier contre la conduite et le raccord, au moyen de trois vis à métal pour chaque pièce et, pour terminer, sceller avec du ruban spécial pour tuyaux.

**Ne pas utiliser un tuyau plus petit du raccord.**

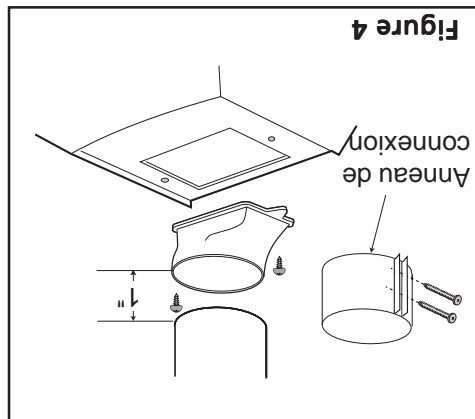


Figure 4

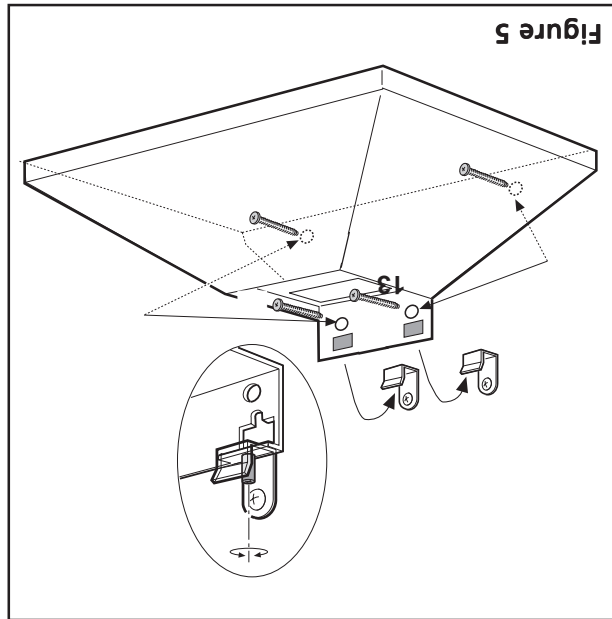


Figure 5

## Préparation de la surface de montage (placoplatre)

1. Choisir une hauteur pour le montage pratique pour l'utilisateur et marquer cette dernière sur la paroi, derrière le plan de cuisson.
2. Marquer l'axe du plan de cuisson et tracer une ligne verticale allant du fond de la hotte jusqu'au plafond.
3. Fixer le gabarit de perçage avec du ruban adhésif, en faisant correspondre l'axe du plan de cuisson avec le fond de la hotte, comme illustré dans la Figure 2.
4. À travers le gabarit de perçage, marquer au milieu les 6 positions de fixation contre la paroi, puis retirer le gabarit.

5. Marquer une ligne horizontale sur la paroi, à une distance de 1" au-dessus de la position de fixation la plus élevée et à 1" au-dessous de la position de fixation la plus basse.

6. Localiser les couples du châssis derrière le placoplatre en tapotant légèrement la paroi ou en utilisant un «chercheur de châssis» spécial. Marquer au milieu tous les couples du châssis, en traçant une ligne verticale à droite et à gauche de la position de fixation marquée.

**Remarque:** Deux des six positions marquées doivent recouvrir au moins 2 couples du châssis, d'un côté à l'autre.

7. Percer le placoplatre le long des lignes marquées. Installer 2 des 6 positions marquées entre les couples du châssis en les maintenant parfaitement alignées avec le côté avant du couple. Veiller à ce que toutes les vis de montage soient ancrées au bois dans lequel elles ont été introduites. Reconstruire le placoplatre puis effectuer le finissage.

8. Marquer l'axe du plan et le fond de la hotte en correspondance du même point précédemment marqué puis fixer le gabarit de perçage contre la paroi avec du ruban adhésif, comme décrit au point 3.

9. Fixer 2 crochets de montage avec des vis à bois (pièces fournies avec les outils de montage) en correspondance des points marqués sur le gabarit, puis retirer le gabarit de la paroi.

10. En utilisant les dispositifs d'ancrage fournis, installer la bride de support pour la couverture de la conduite contre la paroi, en la maintenant parfaitement alignée avec la bride (voir Figure 3).

**Outils requis pour l'installation**  
 Tournevis  
 (vis à tête plate, pozidrive n°2 et torx)  
 10) Clé pour vis Allen 4mm.  
 Perceuse électrique avec mèche  
 hélicoïdale de Ø 10 mm

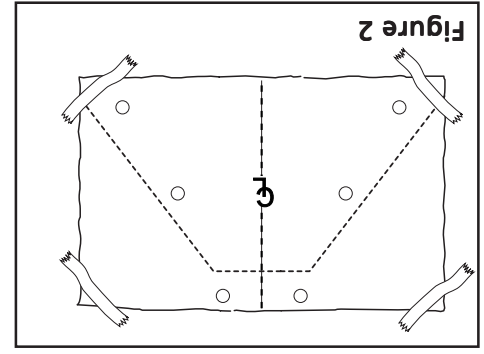


Figure 2

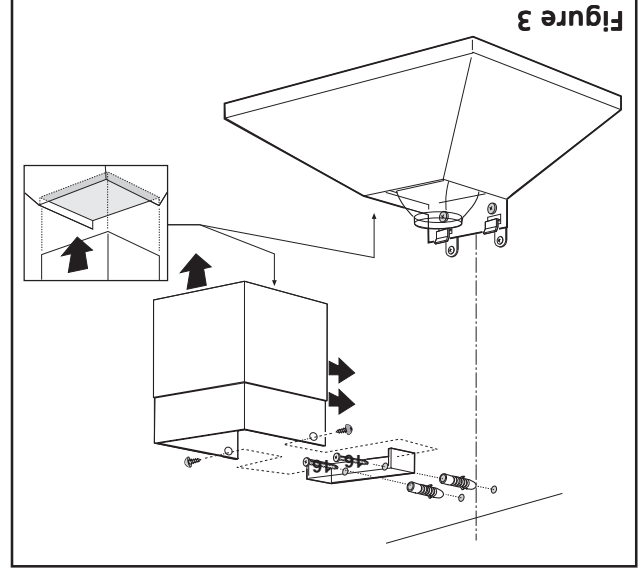


Figure 3

# Installation

**UNIQUEMENT POUR EMPLOI RÉSIDENTIEL.**  
**NE PAS INSTALLER SUR LES GRILLES AVEC CHAUFFAGE AU GAZ.**  
**AVANT D'UTILISER L'APPAREIL, LIRE ATTENTIVEMENT LES PRÉSENTES INSTRUCTIONS.**  
**L'INSTALLATION DOIT ÊTRE EFFECTUÉE CONFORMÉMENT AUX RÉGLEMENTS LOCAUX.**

**IMPORTANT:** Conserver les présentes instructions pour l'emploi destinées à l'inspecteur de la société électrique. **INSTALLATEUR:** Conserver avec l'appareil les présentes instructions pour l'emploi destinées au propriétaire. **PROPRIÉTAIRE:** Conserver les présentes instructions pour toute éventuelle consultation à l'avenir. Avant d'effectuer le branchement de l'appareil, couper le circuit d'alimentation et bloquer le panneau de commandes. Alimentation requise: 120 V C.A., 60 Hz, 15 ou 20 A

## Dimensions

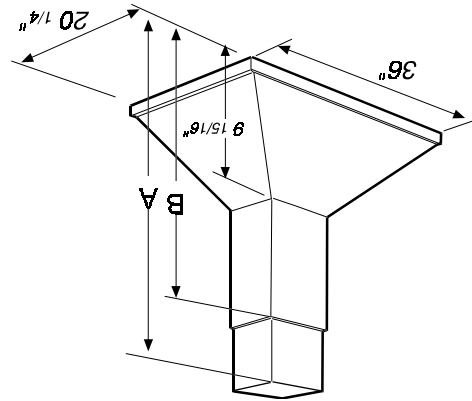


Figure 1\*

Remarque: Toutes les dimensions sont exprimées en pouces.

\* Les dimensions sont

calculées en partant de la base de la hotte jusqu'au plafond et elles comprennent l'espace libre requis pour l'installation.

### Avant d'effectuer l'installation de la hotte

1. Afin d'obtenir une efficacité maximum d'évacuation de l'air, utiliser une conduite linéaire ou réduire au maximum le nombre des coudes présents. **ATTENTION:** Evacuer l'air de l'unité exclusivement à l'extérieur de l'édifice.
2. Utiliser des canalisations flexibles en métal, si autorisées dans votre région, uniquement pour connecter la conduite rigide directement aux dispositifs de raccordement.
3. Les équipements installés dans des régions au CLIMAT FROID doivent avoir un clapet de retenue des fumées pour réduire au maximum l'écoulement de l'air froid de retour, outre à une protection thermique non métallique pour minimiser l'influence de la température externe à travers le réseau des canalisations. Il est opportun d'installer le clapet sur le côté de l'air froid de la protection thermique et de placer la protection le plus près possible du point d'entrée des canalisations dans la partie réchauffée de l'édifice.
4. La hauteur pour l'installation de la hotte sur le plan de la cuisine doit être établie en fonction des exigences de l'utilisateur. Plus la hotte sera placée en bas, par rapport à la cuisine, plus l'aspiration des vapeurs et des odeurs de cuisson, de la graisse et de la fumée sera efficace. Nous recommandons d'installer la hotte à une hauteur de 30-36" par rapport au plan de cuisson. Une installation à une hauteur inférieure pourrait se révéler inconfortable pour les personnes très grandes et peu pratique lors de l'emploi de récipients particulièrement amples. Avant de choisir la hotte, vérifier la hauteur du plafond et la hauteur maximum utilisable par rapport à la hotte.

Poids: 42 lbs

Diamètre de raccordement: 6"

Diamètre requis pour la conduite d'évacuation: 6"

Dimensions	
A (intervalle de réglage hauteur)*	33 7/16" - 42 3/8"
B (hauteur minimum avec une seule couverture)*	26"
W (largeur) x D (profondeur)	8 3/16" x 6 7/8"
AA (hauteur réglable couverture)	23 7/16" - 32 15/16"
BB (hauteur minimum couverture)	16"

**AVERTISSEMENT** – POUR RÉDUIRE LES RISQUES D'INCENDIES, CHOCs ÉLECTRIQUES OU ACCIDENTS, SUIVRE LES INDICATIONS SUIVANTES:

- a) Confier l'installation et l'adaptation des connexions électriques à un personnel qualifié qui opère conformément aux normes et aux dispositions établies, y compris aux normes de construction anti-incendie.
- b) Dans les installations alimentées avec du combustible, il faut qu'il y ait une quantité d'air suffisante, afin de garantir une combustion appropriée et une correcte évacuation des gaz à travers le carneau montant (cheminée), de façon à éviter le retour des fumées. Suivre les directives fournies par le constructeur de l'appareil de chauffage ainsi que les normes de sécurité émises par des associations telles que la «National Fire Protection Association (NFPA)», la «American Society for Heating», la «Refrigeration and Air Conditioning Engineers (ASHRAE)», et les autorités locales compétentes.
- c) Lors du percement de parois ou de plafonds, effectuer les opérations nécessaires avec précaution, afin de ne pas endommager les connexions électriques et les autres branchements des services généraux non visibles.
- d) Les rotors de ventilation carénés doivent toujours être équipés d'un système d'évacuation à l'extérieur.

**AVERTISSEMENT** - POUR RÉDUIRE LES RISQUES D'INCENDIES, UTILISER UNIQUEMENT DES CONDUITES MÉTALLIQUES.



## **⚠ Avertissement**

**Risque de choc électrique.** Peut occasionner des blessures sérieuses ou la mort. Débranchez l'appareil de la source d'alimentation avant de procéder au service d'entretien. Si l'appareil est muni d'une lampe fluorescente, celle-ci contient des petites quantités de mercure qui doivent être recyclées ou mises aux rebuts conformément aux règlements municipaux ainsi qu'aux lois provinciales et fédérales.

# Informations importantes relatives à la sécurité

## LIRE ET CONSERVER LES PRÉSENTES INSTRUCTIONS

Faire extrêmement attention lors de l'emploi

de substances nettoyantes ou détergentes.

Aptitude à l'emploi dans l'environnement domestique/cuisine

**ATTENTION** – Afin de réduire le risque d'incendies et de garantir une évacuation de l'air appropriée il faut prévoir une conduite pour l'évacuation de l'air à l'extérieur. Ne pas évacuer l'air dans des espaces délimités par des parois/plafonds, atterrages, passages ou garages.

**ATTENTION** – Uniquement pour la ventilation générale. Ne pas utiliser l'appareil pour l'évacuation de matériaux et vapeurs dangereux ou explosifs.

**AVERTISSEMENT** – AFIN DE RÉDUIRE LE RISQUE D'INCENDIES, CHOCs ÉLECTRIQUES OU ACCIDENTS, RESPECTER LES PRÉSCRIPTIONS SUIVANTES:

- Utiliser l'appareil sur la base des instructions fournies par le constructeur. En cas de doutes ou pour toute explication ultérieure, s'adresser à la société constructrice.
- Avant d'effectuer le nettoyage ou l'entretien, couper l'alimentation du panneau de commandes puis bloquer le dispositif de déconnexion du courant afin d'éviter tout risque d'actionnement involontaire. S'il devait se révéler impossible de bloquer le dispositif de déconnexion, appliquer un signal d'avertissement approprié (par exemple: un panneau), bien visible et en position stable, sur le panneau de commandes.

**AVERTISSEMENT** – POUR RÉDUIRE LES RISQUES D'INCENDIES PROVOQUÉS PAR LE RENVERSEMENT DE GRAISSE SUR LE PLAN DE LA CUISINE:

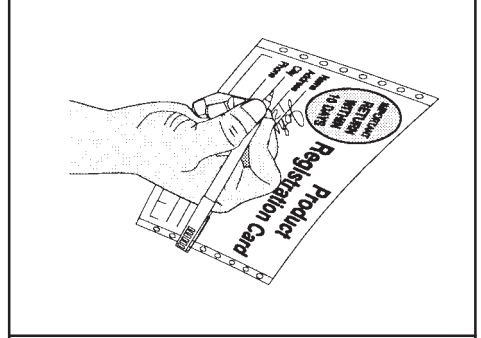
- Ne jamais laisser sans surveillance les appareils de cuisson réglés au maximum. La cuisson à puissance élevée est susceptible de générer des fumées et de provoquer le renversement de graisse pouvant s'enflammer. Réchauffer lentement et à faible puissance l'huile ou la graisse.
- Allumer toujours la hotte (position ON) pendant le réchauffement à température élevée ou la cuisson à la flamme.
- Nettoyer fréquemment les rotors de ventilation. Ne pas laisser que la graisse s'accumule sur le rotor de ventilation ou sur le filtre.
- Utiliser des poêles ou casseroles de dimensions appropriées. Choisir toujours des outils de cuisine appropriés en fonction des dimensions du plan.

**AVERTISSEMENT** – POUR RÉDUIRE LES RISQUES D'ACCIDENTS SUITE AUX INCENDIES PROVOQUÉS PAR LE RENVERSEMENT DE GRAISSE SUR LE PLAN DE LA CUISINE, SUIVRE LES INSTRUCTIONS SUIVANTES:

- Essayer d'ÉTOUFFER LES FLAMMES au moyen d'un couvercle de petites dimensions, un plateau métallique ou une feuille de papier d'aluminium, puis éteindre le brûleur. EFFECTUER LES OPÉRATIONS NÉCESSAIRES AVEC PRÉCAUTIONS, AFIN D'ÉVITER TOUT RISQUE DE BRÛLURES. Si les flammes ne s'éteignent pas immédiatement, ÉVACUER LES LOCAUX PUIS CONTACTER LES SAPEURS-POMPIERS.
- NE JAMAIS SOULEVER UNE CASSEROLE EN FLAMMES: il y a le risque de se brûler.
- NE PAS UTILISER DE L'EAU, des torchons ou serviettes mouillées: il existe le risque qu'une violente explosion de vapeur se produise.
- Utiliser un extincteur UNIQUEMENT à condition que:
  - L'on soit sûr de pouvoir disposer d'un extincteur de Classe ABC, et l'on soit déjà en mesure de l'utiliser.
  - L'incendie soit réduit et limité à la zone dans laquelle il s'est développé.
  - L'on ait déjà contacté les sapeurs-pompiers.
  - L'on puisse utiliser l'extincteur en ayant les épaules tournées vers la sortie.

# Enregistrement de l'appareil

**Enregistrer l'appareil**  
La CARTE D'ENREGISTREMENT  
préalablement adressée doit être  
remplie en entier, signée et  
retournée à Frigidaire Canada.



Le présent guide de l'utilisateur décrit le mode d'emploi général de cette hotte ainsi que les caractéristiques de plusieurs autres modèles. Certaines des caractéristiques décrites peuvent donc **ne pas** s'appliquer à votre hotte.

**Remarque:** Les directives qui figurent dans ce guide de l'utilisateur ne sauraient couvrir toutes les circonstances et les situations possibles. Il faut donc faire preuve de jugement et de prudence pendant l'installation, l'utilisation et l'entretien de tout appareil électroménager.

Merci d'avoir choisi cet appareil. Les renseignements contenus dans ce guide de l'utilisateur expliquent comment utiliser et entretenir la hotte. Lire les documents qui accompagnent l'appareil pour en savoir davantage sur cette hotte.

## Noter le numéro de modèle et le numéro de série

Noter ci-dessous le numéro de modèle et le numéro de série inscrits sur la plaque signalétique située sur le côté droit du cadre avant, dans le tiroir de rangement.

Numéro de modèle: \_\_\_\_\_

Numéro de série: \_\_\_\_\_

Date d'achat: \_\_\_\_\_

# GUIDE DE L'UTILISATEUR

PLHV36W6KC

LISEZ ET CONSERVEZ CES INSTRUCTIONS

Table des matières	
Enregistrement de l'appareil .....	2
Informations importantes relatives à la sécurité .....	3
Installation .....	5-8
Emploi et entretien .....	9
Nettoyage de la hotte .....	9
Remplacement des lampes .....	10
Garantie .....	12

# Hotte de cuisine