

# 30" GAS SLIDE-IN RANGE INSTALLATION INSTRUCTIONS

(Models with Sealed Top Burners)

INSTALLATION AND SERVICE MUST BE PERFORMED BY A QUALIFIED INSTALLER.

IMPORTANT: SAVE FOR LOCAL ELECTRICAL INSPECTOR'S USE.

READ AND SAVE THESE INSTRUCTIONS FOR FUTURE REFERENCE.



**WARNING** If the information in this manual is not followed exactly, a fire or explosion may result causing property damage, personal injury or death.

**FOR YOUR SAFETY:**

- Do not store or use gasoline or other flammable vapors and liquids in the vicinity of this or any other appliance.
- **WHAT TO DO IF YOU SMELL GAS:**
  - Do not try to light any appliance.
  - Do not touch any electrical switch; do not use any phone in your building.
  - Immediately call your gas supplier from a neighbor's phone. Follow the gas supplier's instructions.
  - If you cannot reach your gas supplier, call the fire department.
- Installation and service must be performed by a qualified installer, service agency or the gas supplier.

**Appliances Installed in the state of Massachusetts;**

This Appliance can only be installed in the state of Massachusetts by a Massachusetts's licensed plumber or gasfitter.

This appliance must be installed with a three (3) foot / 36 in. long flexible gas connector.

A "T" handle type manual gas valve must be installed in the gas supply line to this appliance.

Do not pinch the power supply cord or the flexible gas conduit between the range and the wall.

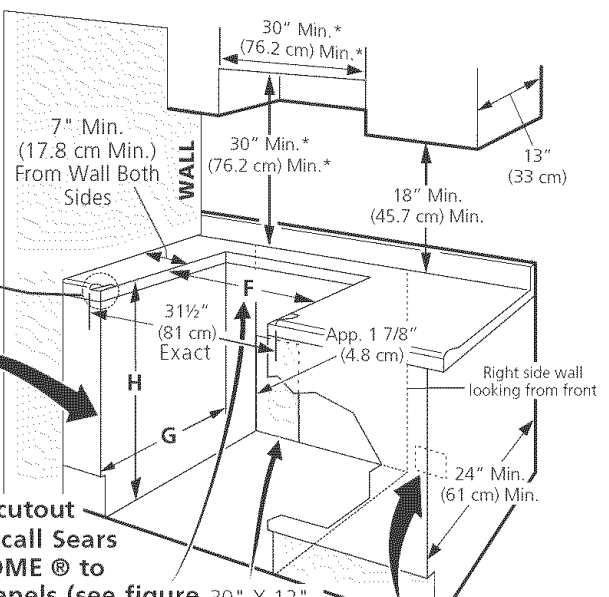
Do not seal the range to the side cabinets.

**\*NOTE:** 30" (76.2 cm) minimum clearance between the cooktop and the bottom of the cabinet when the bottom of wood or metal cabinet is protected by not less than 1/4" (0.64 cm) flame retardant millboard covered with not less than No. 28 MSG sheet metal, 0.015" (0.4 mm) stainless steel, 0.024" (0.6 mm) aluminum, or 0.020" (0.5 mm) copper.

36" (91.4 cm) minimum clearance when the cabinet is unprotected.

Shave Raised Edge to Clear 31 1/2" (81 cm) Wide Cooktop Rim.

1 1/2" Max. (3.8 cm) Max.



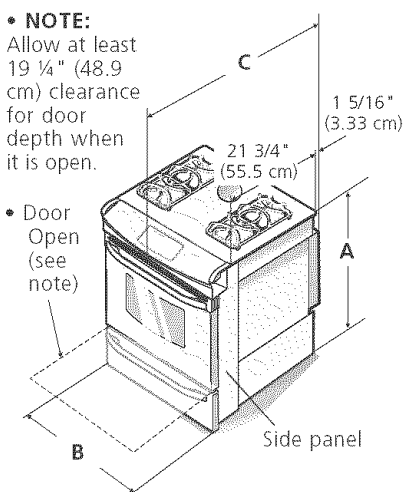
Locate Cabinet Doors 1" (2.5 cm) Min. from Cutout Opening.

**Note:** For 29" (73.7 cm) cutout wide opening, you must call Sears Service at 1-800-4-MY-HOME® to purchase optional side panels (see figure on left corner) and clear wide cooktop rim as shown in the "Countertop Preparation" section (see page 3).

Recommended area for wall connection of manual shut off valve (outside the cut-out area as mentioned on page 4).

\*\* For cutouts below 22 7/8" (58.1 cm), appliance will slightly show out of the cabinet.

\*\*\* **IMPORTANT:** For width cutout (F dimension) more than 30 1/16" (76.4 cm) to avoid damage to the cooktop, make sure the appliance is centered in the counter opening while pushing into it. Raise leveling legs at maximum position, insert the appliance in the counter and then level. Make sure the unit is supported by the leveling legs and not by the cooktop itself.



**NOTE:** Allow at least 19 1/4" (48.9 cm) clearance for door depth when it is open.

• Door Open (see note)

Figure 1

| A. HEIGHT                         | B. WIDTH      | C. DEPTH TO FRONT OF RANGE | F. CUTOUT WIDTH ***     | G. CUTOUT DEPTH                              | H. HEIGHT OF COUNTERTOP                     |
|-----------------------------------|---------------|----------------------------|-------------------------|--|---|
| 35 3/8" (90 cm) - 36 3/8" (92 cm) | 30" (76,2 cm) | 28 5/16" (71,9 cm)         | 30±1/16" (76,2±0,15 cm) | 21 3/4" (55,2 cm) Min. 22 1/8" (56,2 cm) Max | 36" (91,4 cm) standard 35 3/8" (90 cm) min. |

G. Minimum Cutout Depth is increased to 24" (61 cm) with backguard.  
**NOTE:** Wiring diagram for these appliances are enclosed in this booklet.

P/N 318201667 (0411) Rev. B  
 English – pages 1-9  
 Español – páginas 10-18  
 Wiring Diagrams - pages 19-20

# 30" GAS SLIDE-IN RANGE INSTALLATION INSTRUCTIONS

(Models with Sealed Top Burners)

## Important Notes to the Installer

1. Read all instructions contained in these installation instructions before installing range.
2. Remove all packing material from the oven compartments before connecting the gas and electrical supply to the range.
3. Observe all governing codes and ordinances.
4. Be sure to leave these instructions with the consumer.

## Important Note to the Consumer

Keep these instructions with your owner's guide for future reference.

# IMPORTANT SAFETY INSTRUCTIONS

Installation of this range must conform with local codes or, in the absence of local codes, with the National Fuel Gas Code ANSI Z223.1/NFPA .54-latest edition.

This range has been design certified by CSA International. As with any appliance using gas and generating heat, there are certain safety precautions you should follow. You will find them in the Use and Care Guide, read it carefully.

- **Be sure your range is installed and grounded properly by a qualified installer or service technician.**
- **This range must be electrically grounded in accordance with local codes or, in their absence, with the National Electrical Code ANSI/NFPA No. 70—latest edition.** See Grounding Instructions.
- **Before installing the range in an area covered with linoleum or any other synthetic floor covering, make sure the floor covering can withstand heat at least 90°F above room temperature without shrinking, warping or discoloring.** Do not install the range over carpeting unless you place an insulating pad or sheet of ¼" (10,16 cm) thick plywood between the range and carpeting.

- **Make sure the wall coverings around the range can withstand the heat generated by the range.**
- **Do not obstruct the flow of combustion air at the oven vent nor around the base or beneath the lower front panel of the range.** Avoid touching the vent openings or nearby surfaces as they may become hot while the oven is in operation. This range requires fresh air for proper burner combustion.

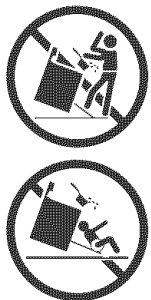
**⚠ WARNING** Never leave children alone or unattended in the area where an appliance is in use. As children grow, teach them the proper, safe use of all appliances. Never leave the oven door open when the range is unattended.

**⚠ WARNING** Stepping, leaning or sitting on the doors or drawers of this range can result in serious injuries and can also cause damage to the range.

- **Do not store items of interest to children in the cabinets above the range.** Children could be seriously burned climbing on the range to reach items.
- **To eliminate the need to reach over the surface burners, cabinet storage space above the burners should be avoided.**
- **Adjust surface burner flame size so it does not extend beyond the edge of the cooking utensil.** Excessive flame is hazardous.
- **Do not use the oven as a storage space.** This creates a potentially hazardous situation.
- **Never use your range for warming or heating the room.** Prolonged use of the range without adequate ventilation can be dangerous.
- **Do not store or use gasoline or other flammable vapors and liquids near this or any other appliance.** Explosions or fires could result.
- In the event of an electrical power outage, the surface burners can be lit manually. To light a surface burner, hold a lit match to the burner head and slowly turn the Surface Control knob to LITE. Use caution when lighting surface burners manually.
- **Reset all controls to the "off" position after using a programmable timing operation.**

## FOR MODELS WITH SELF-CLEAN FEATURE:

- **Remove broiler pan, food and other utensils before self-cleaning the oven.** Wipe up excess spillage. Follow the precleaning instructions in the Use and Care Guide.
- **Unlike the standard gas range, THIS COOKTOP IS NOT REMOVABLE.** Do not attempt to remove the cooktop.

|   |   |  |
|---|---|--|
|  | <b>⚠ WARNING</b> <ul style="list-style-type: none"><li>• All ranges can tip.</li><li>• Injury to persons could result.</li><li>• Install anti-tip device packed with range.</li></ul> | <b>⚠ WARNING</b> To reduce the risk of tipping of the range, the range must be secured by properly installed anti-tip bracket provided with the range. To check if the bracket is installed properly, grasp the top rear edge of the range and carefully tilt it forward to make sure the range is anchored. |
|---|---|--|

# 30" GAS SLIDE-IN RANGE INSTALLATION INSTRUCTIONS

(Models with Sealed Top Burners)

## 1. Cabinet Construction

**CAUTION** To eliminate the risk of burns or fire by reaching over heated surface units, do not have cabinet storage space above the range. If there is cabinet storage space above range, reduce the risk by installing a range hood that projects horizontally a minimum of 5" (12.7 cm) beyond the bottom of the cabinet.

### Countertop Preparation

- The cooktop sides of the range fit over the cutout edge of your countertop.
- If you have a **square finish (flat) countertop**, no countertop preparation is required.
- **Formed front-edged countertops** must have molded edge shaved flat 3/4" (1.9 cm) from each front corner of opening.
- **Tile countertops** may need trim cut back 3/4" (1.9 cm) from each front corner and/or rounded edge flattened.

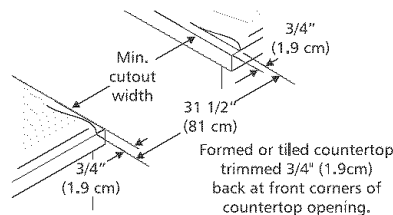


Figure 2

- If the countertop opening width is greater than the minimum cutout width, adjust the 3/4" (1.9 cm) dimension.

### For countertop of 29" (73.7cm) cutout wide opening:

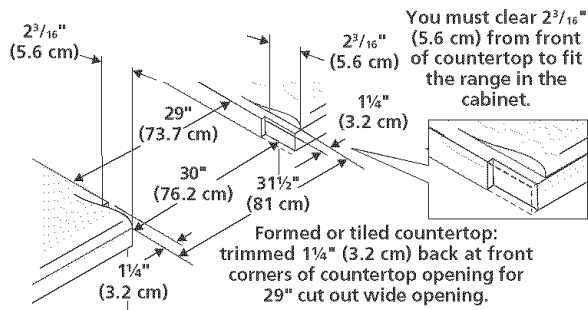


Figure 3

- **Countertop must be level.** Place a level on the countertop, first side to side, then front to back. If the countertop is not level, the range will not be level. The oven must be level for satisfactory baking results.

## 2. Provide an adequate Gas Supply

When shipped from the factory, this unit is designed to operate on 4" (10,16 cm) water column (1.0 kPa) Natural gas manifold pressure. A convertible pressure regulator is connected to the range manifold and **MUST** be connected in series with the gas supply line. If LP/Propane conversion kit has been used, follow instructions provided with the kit for converting the pressure regulator to LP/Propane use.

Care must be taken during installation of range not to obstruct the flow of combustion and ventilation air.

*For proper operation*, the maximum inlet pressure to the regulator should be no more than 14" (35,56 cm) of water column pressure (3.5 kPa). The inlet pressure to the regulator must be at least 1" (.25 kPa) greater than the regulator manifold pressure setting. Examples: If regulator is set for natural gas 4" (10,16 cm) manifold pressure, inlet pressure must be at least 5" (12.60 cm); if regulator has been converted for LP/Propane gas 10" (25,4 cm) manifold pressure, inlet pressure must be at least 11" (27,9 cm).

Leak testing of the appliance shall be conducted according to the instructions in step 4.

The gas supply line should be 1/2" or 3/4" I.D.

## 3. Seal the openings

Seal any openings in the wall behind the range and in the floor under the range after gas supply line is installed.

## 4. Connect the range to the gas supply

**Important:** Remove all packing material and literature from range before connecting gas and electrical supply.

To prevent leaks, put pipe joint sealant on all external pipe threads.

Your regulator is in location shown below.

**CAUTION** Do not allow regulator to turn on pipe when tightening fittings.

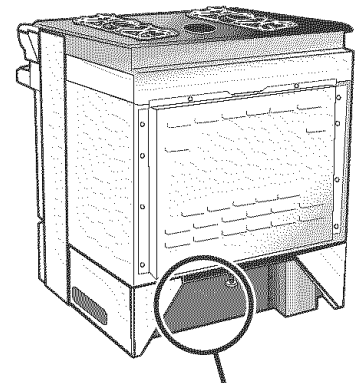


Figure 4 PRESSURE REGULATOR LOCATION

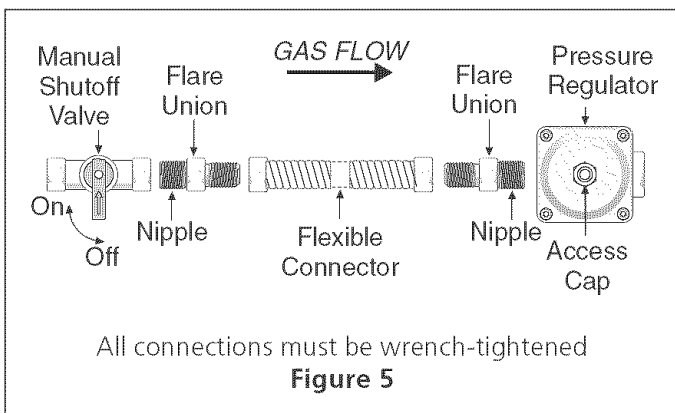
# 30" GAS SLIDE-IN RANGE INSTALLATION INSTRUCTIONS

(Models with Sealed Top Burners)

## Connection to Pressure Regulator

The regulator is already installed on the appliance.

**⚠ WARNING** Do not make the connection too tight. The regulator is die cast. Overtightening may crack the regulator resulting in a gas leak and possible fire or explosion.

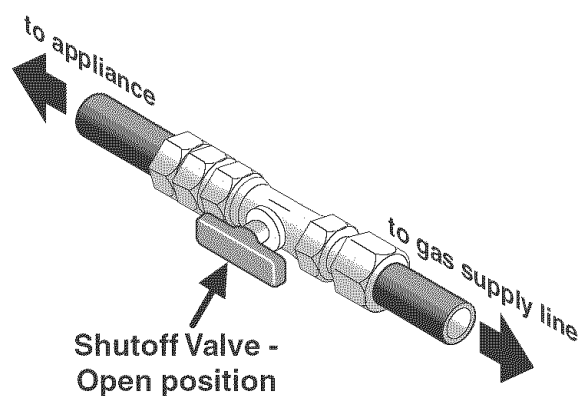


Assemble the flexible connector from the gas supply pipe to the pressure regulator in the following order:

1. manual shutoff valve
2. 1/2" nipple
3. 1/2" flare union adapter
4. flexible connector
5. 1/2" flare union adapter
6. 1/2" nipple
7. pressure regulator

Use pipe-joint compound made for use with Natural and LP/Propane gas to seal all gas connections. If flexible connectors are used, be certain connectors are not kinked.

The supply line must be equipped with an approved manual shutoff valve. This valve should be located in the same room as the range and should be in a location that allows ease of opening and closing. Do not block access to the shutoff valve. The valve is for turning on or shutting off gas to the appliance.



Once regulator is in place, open the shutoff valve in the gas supply line. Wait a few minutes for gas to move through the gas line.

**Check for leaks.** After connecting the range to the gas supply, check the system for leaks with a manometer. If a manometer is not available, turn on the gas supply and use a liquid leak detector (or soap and water) at all joints and connections to check for leaks.

**⚠ WARNING** Do not use a flame to check for leaks from gas connections. Checking for leaks with a flame may result in a fire or explosion.

**Tighten all connections** as necessary to prevent gas leakage in the range or supply line.

**Check alignment of control knob valves** after connecting the appliance to the gas supply to be sure the cooktop manifold pipe has not moved. A misalignment could cause the valve stems to rub on the control panel, resulting in a gas leak at the valve.

**Disconnect this range and its individual manual shutoff valve** from the gas supply piping system during any pressure testing of that system at test pressures greater than 1/2 psig (3.5 kPa or 14" water column).

**Isolate the range from the gas supply piping system** by closing its individual manual shutoff valve during any pressure testing of the gas supply piping system at test pressures equal to or less than 1/2 psig (3.5 kPa or 14" water column).

# 30" GAS SLIDE-IN RANGE INSTALLATION INSTRUCTIONS

(Models with Sealed Top Burners)

## 5. LP/Propane Gas Conversion

This appliance can be used with Natural gas or LP/Propane gas. It is shipped from the factory for use with natural gas.

If you wish to convert your range for use with LP/Propane gas, use the supplied fixed orifices located in a bag containing the literature marked "FOR LP/PROPANE GAS CONVERSION." Follow the instructions packaged with the orifices for surface, oven and broil burners conversion.

The conversion must be performed by a qualified service technician in accordance with the manufacturer's instructions and all local codes and requirements. Failure to follow these instructions could result in serious injury or property damage. The qualified agency performing this work assumes responsibility for the conversion.

**⚠ WARNING** Failure to make the appropriate conversion can result in serious personal injury and property damage.

## 6. Electrical Requirements

120 volt, 60 Hertz, properly grounded dedicated circuit protected by a 15 amp circuit breaker or time delay fuse.

**Note:** Not recommended to be installed with a Ground Fault Interrupt (GFI).

**Do not use an extension cord with this range.**

### Grounding Instructions

**IMPORTANT** Please read carefully.

**For personal safety, this appliance must be properly grounded.**

The power cord of this appliance is equipped with a 3-prong (grounding) plug which mates with a standard 3-prong grounding wall receptacle (see Figure 7) to minimize the possibility of electric shock hazard from the appliance.

The wall receptacle and circuit should be checked by a qualified electrician to make sure the receptacle is properly grounded.

### Preferred Method

Grounding type wall receptacle

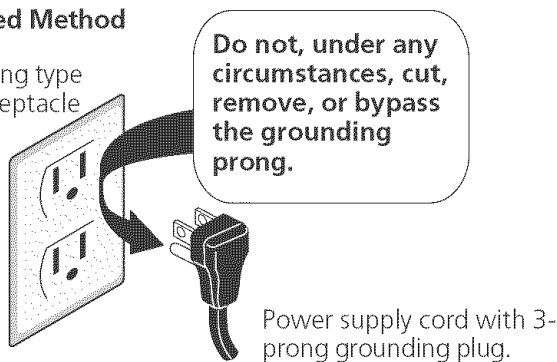


Figure 7

Where a standard 2-prong wall receptacle is installed, it is the personal responsibility and obligation of the consumer to have it replaced by a properly grounded 3-prong wall receptacle.

**Do not, under any circumstances, cut or remove the third (ground) prong from the power cord.**

**⚠ WARNING** Disconnect electrical supply cord from wall receptacle before servicing cooktop.

## 7. Moving the Appliance for Servicing and Cleaning

Turn off the range line fuse or circuit breakers at the main power source, and turn off the manual gas shut-off valve. Make sure the range is cold. Remove the service drawer (warmer drawer on some models) and open the oven door. Lift the range at the front and slide it out of the cut-out opening without creating undue strain on the flexible gas conduit. Make sure not to pinch the flexible gas conduit at the back of the range when replacing the unit into the cut-out opening. Replace the drawer, close the door and switch on the electrical power and gas to the range.

If the range regulator is connected to rigid piping, the regulator must be disconnected before moving the appliance. If the range is equipped with a warmer drawer, the regulator can be accessed through a side panel. Remove the 2 screws securing the panel, then remove the panel. Disconnect the regulator from the piping. Reassemble in opposite order and manner of removal (see Figure 8).

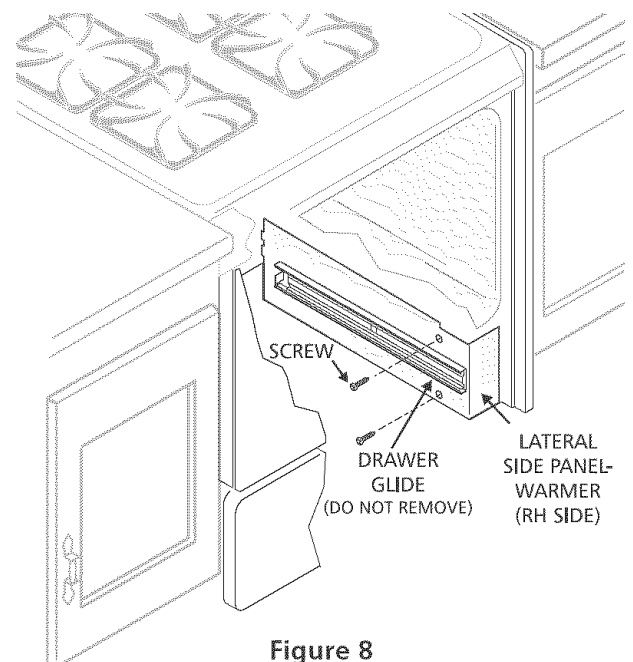


Figure 8

# 30" GAS SLIDE-IN RANGE INSTALLATION INSTRUCTIONS

(Models with Sealed Top Burners)

## 8. Range Installation

### Standard Installation

1. The range cooktop overlaps the countertop at the sides and the range rests on the floor. The cooktop is 31 1/2" (1,27 cm) (81 cm) wide.
2. Install base cabinets 30" (76.2 cm) apart. Make sure they are level before attaching cooktop. Shave raised countertop edge to clear 31 1/2" (1,27 cm) wide range top rim.
3. Install cabinet doors 31" (78.7 cm) min. apart so they will not interfere with range door opening.
4. Cut out countertop exactly as shown on page 1.
5. A backguard kit can be ordered through Sears Service Center.
6. To provide an optimum installation, the top surface of the countertop must be level and flat (lie on the same plane) around the 3 sides that are adjacent to range cooktop. Proper adjustments to make the top flat should be made or gaps between the countertop and the range cooktop may occur.
7. **CAUTION** To reduce the risk of damaging your appliance, do not handle or manipulate it by the cooktop. Manipulate the appliance with care.
8. Position range in front of the cabinet opening.
9. Make sure that the cooktop which overhangs the countertop clears the countertop. If necessary, raise the unit by lowering the leveling legs.
10. **Level the range** (see section 10). The floor where the range is to be installed must be level. Follow the instructions under "Leveling the Range-Models Equipped with Leveling Legs" (figure 15).
11. Adjust leveling legs so that the underside of the cooktop is sitting on the countertop.
12. Carefully screw in the back leveling leg until the cooktop overhang slightly touches the countertop. The cooktop must not support the unit.
13. Then carefully screw in the front two leveling legs (similar to 11) until the cooktop overhang touches slightly the countertop.
14. If the range is not level, pull unit out and readjust leveling legs, or make sure floor is level.

### Installation For 29" Cutout Wide Opening

1. You must replace the actual side trims by new and smaller side trims. These new side trims can be ordered through a Sears Service Center.
2. Follow instructions supplied with new side trims for side trim replacement.
3. Check if the countertop is prepared for 29" cutout wide opening in "**Countertop Preparation**" section.
4. Install range as in the "**Standard installation**" section above.

### Installation With Backguard

The cutout depth of (21 3/4" (55.2 cm) Min., 22 1/8" (56.2 cm) Max.) needs to be increased to 24" (10,16 cm) (61 cm) when installing a backguard.

### Installation With Side Panels

Install cabinet doors 31" (78.7 cm) min. apart so as not to interfere with range door opening.

### NOTE

Side panel, Backguard and End Panel kits can be ordered through Sears Parts & Repair. Call 1-800-4-MY-HOME ®.

## 9. Check Operation

Refer to the Use and Care Guide packaged with the range for operating instructions and for care and cleaning of your range.

Remove all packaging from the oven before testing.

### 9.1 Install Burner Bases and Burner Caps This range is equipped with sealed burners as shown (see Figure 9).

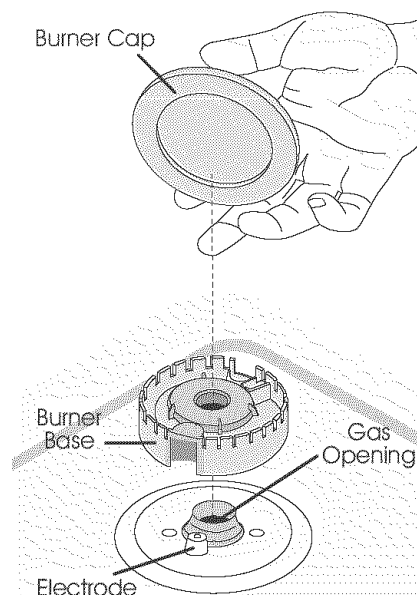


Figure 9

- a. Unpack burner bases and burner caps.
- b. Place burner bases over each gas opening.
- c. Make sure the burner is properly aligned and leveled.  
Place burner caps over appropriate burner bases.

**NOTE:** There are no burner adjustments necessary on this range.

# 30" GAS SLIDE-IN RANGE INSTALLATION INSTRUCTIONS

(Models with Sealed Top Burners)

## 9.2 Turn on Electrical Power and Open Main Shutoff Gas Valve

### 9.3 Check the Igniters

Operation of electric igniters should be checked after range and supply line connectors have been carefully checked for leaks, and range has been connected to electric power. To check for proper lighting:

- Push in and turn a surface burner knob to the LITE position. You will hear the igniter sparking.
- The surface burner should light when gas is available to the top burner. Each burner should light within four (4) seconds after air has been purged from supply lines. Visually check that burner has lit.
- Once the burner lights, the control knob should be rotated out of the LITE position.

There are separate ignition devices for each burner. Try each knob separately until all burner valves have been checked.

### 9.4 Adjust the "LOW" Setting of Surface Burner Valves (see Figure 10)

- Push in and turn each control to LITE until burner ignites.
- Quickly turn knob to LOWEST POSITION.
- If burner goes out, readjust valve as follows:  
Reset control to OFF. Remove the surface burner control knob, insert a thin-bladed screw driver into the hollow valve stem and engage the slotted screw inside. Flame size can be increased or decreased with the turn of the screw. Adjust flame until you can quickly turn knob from LITE to LOWEST POSITION without extinguishing the flame. Flame should be as small as possible without going out.

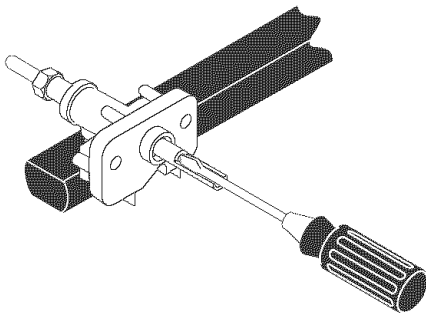


Figure 10

## 9.5 Operation of Oven Burners and Oven Adjustments

### 9.5.1 Electric Ignition Burners

Operation of electric igniters should be checked after range and supply line connectors have been carefully checked for leaks, and range has been connected to electric power.

The oven burner is equipped with an electric control system as well as an electric oven burner igniter. If your model is equipped with a waist-high broil burner igniter, it will also have an electric burner igniter. These control systems require no adjustment. When the oven is set to operate, current will flow to the igniter. It will "glow" similar to a light bulb. When the igniter has reached a temperature sufficient to ignite gas, the electrically controlled oven valve will open and flame will appear at the oven burner. There is a time lapse from 30 to 60 seconds after thermostat is turned ON before the flame appears at the oven burner. When the oven reaches the display setting, the glowing igniter will go off. The burner flame will go "out" in 20 to 30 seconds after igniter goes "OFF". To maintain any given oven temperature, this cycle will continue as long as the display is set to operate.

After removing all packing materials and literature from the oven:

- Set the oven to BAKE at 300°F. See Use & Care Guide for operating instructions.
- Within 60 seconds the oven burner should ignite. Check for proper flame, and allow the burner to cycle once. Reset controls to off.
- If your model is equipped with a high-waist broiler, set oven to broil. See Use & Care Guide for operating instructions.
- Within 60 seconds the broil burner should ignite. Check for proper flame. Reset controls to off.



# 30" GAS SLIDE-IN RANGE INSTALLATION INSTRUCTIONS

(Models with Sealed Top Burners)

## 9.5.2 Air Shutter-Oven Burner

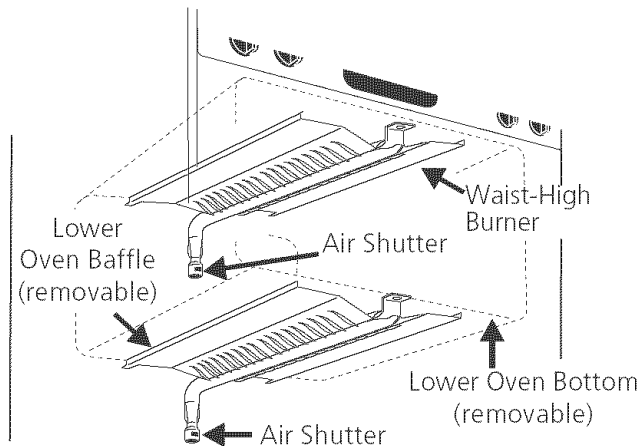


Figure 11

The approximate flame length of the oven burner is 1 inch (distinct inner, blue flame).

To determine if the oven burner flame is proper, remove the oven bottom and burner baffle and set the oven to bake at 300°F.

To remove the oven bottom, remove oven hold down screws at rear of oven bottom. Pull up at rear, disengage front of oven bottom from oven front frame, and pull the oven bottom out of the oven. Remove burner baffle so that burner flame can be observed.

If the flame is yellow, increase air shutter opening size (see "2" in Figure 12.) If the flame is a distinct blue, reduce the air shutter opening size.

To adjust loosen lock screw (see "3" in Figure 12), reposition air shutter, and tighten lock screw. Replace oven bottom.

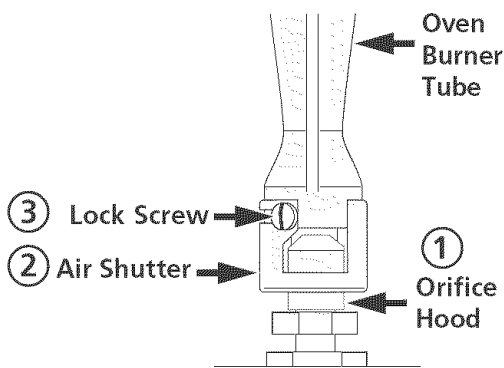


Figure 12

## 9.5.3 Air Shutter-Broil Burner

The approximate flame length of the burner is 1 inch (distinct inner, blue flame). To determine if the broil burner flame is proper, set the oven to broil. If flame is yellow, increase air shutter opening size. (see "2" in Figure 12) If the entire flame is a distinct blue, reduce the air shutter opening size. To adjust, loosen lock screw (see "3" in Figure 12), reposition air shutter, and tighten lock screw.

## 10. Leveling the Range

Level the range and set cooktop height before installation in the cut-out opening.

1. Install an oven rack in the center of the oven.
2. Place a level on the rack (see figure 13). Take 2 readings with the level placed diagonally in one direction and then the other. Level the range, if necessary, by adjusting the 4 leg levelers with a wrench (see figure 15).
3. Taking care to not damage the countertop, slide range into cut-out opening and double check for levelness.

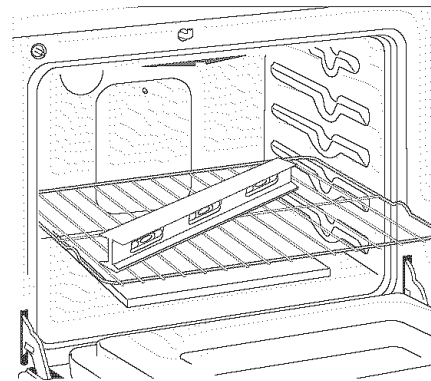


Figure 13

## When All Hookups are Complete

Make sure all controls are left in the OFF position.

Make sure the flow of combustion and ventilation air to the range is unobstructed.

## Model and Serial Number Location

The serial plate is located on the oven front frame behind the oven door (some models) or on the drawer side frame (some models).

When ordering parts for or making inquiries about your range, always be sure to include the model and serial numbers and a lot number or letter from the serial plate on your range.

Your serial plate also tells you the rating of the burners, the type of fuel and the pressure the range was adjusted for when it left the factory.

## Before You Call for Service

Read the Before You Call Checklist and operating instructions in your Use and Care Guide. It may save you time and expense. The list includes common occurrences that are not the result of defective workmanship or materials in this appliance.

Refer to your Use & Care Guide for Sears service phone numbers or call 1-800-4-MY-HOME®.



# 30" GAS SLIDE-IN RANGE INSTALLATION INSTRUCTIONS

(Models with Sealed Top Burners)

## 11. Anti-Tip Brackets Installation Instructions

**⚠ WARNING** To reduce the risk of tipping of the range, the range must be secured to the floor by properly installed anti-tip brackets and screws packed with the range. Those parts are located in a plastic bag in the oven. Failure to install the anti-tip brackets will allow the range to tip over if excessive weight is placed on an open door or if a child climbs upon it. Serious injury might result from spilled hot liquids or from the range itself.

Follow the instructions below to install the anti-tip brackets.

If range is ever moved to a different location, the anti-tip brackets must also be moved and installed with the range. To check for proper installation, see step 5.

### Tools Required:

5/16" (0,79 cm) Nut driver or Flat Head Screwdriver

Adjustable Wrench

Electric Drill

3/16" (0,48 cm) Diameter Drill Bit

3/16" (0,48 cm) Diameter Masonry Drill Bit (if installing in concrete)

Brackets attach to the floor at the back of the range to hold both rear leg levelers. When fastening to the floor, be sure that screws do not penetrate electrical wiring or plumbing. The screws provided will work in either wood or concrete.

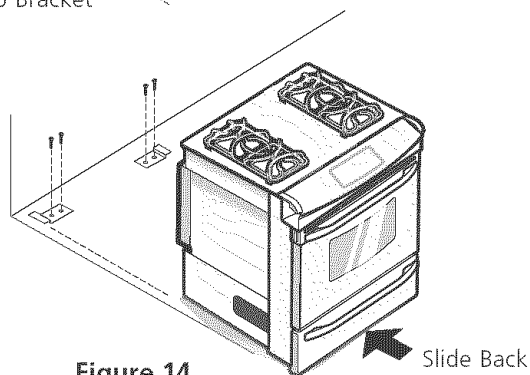
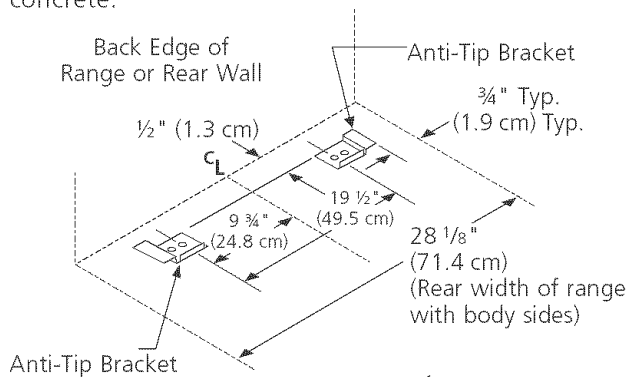


Figure 14

1. Unfold paper template and place it flat on the floor with the back and side edges positioned exactly where the back and sides of range will be located when installed. (Use the diagram below to locate brackets if template is not available.)
2. Mark on the floor the location of the 4 mounting holes shown on the template. For easier installation, 3/16" (0.5 cm) diameter pilot holes 1/2" (1,27 cm) (1.3 cm) deep can be drilled into the floor.
3. Remove template and place brackets on floor with turned up flange to the front. Line up holes in brackets with marks on floor and attach with 4 screws provided. Brackets must be secured to solid floor. If attaching to concrete floor, first drill 3/16" (0.5 cm) dia. pilot holes using a masonry drill bit.
4. Level range if necessary, by adjusting 4 leg levelers with wrench. (See Figure below.) A minimum clearance of 1/8" (0.8 cm) is required between the bottom of the range and the rear leg levelers to allow room for the anti-tip brackets.
5. Slide range into place making sure rear legs are trapped by ends of brackets. Range may need to be shifted slightly to one side as it is being pushed back to allow rear legs to align with brackets. You may also grasp the top rear edge of the range and carefully attempt to tilt it forward to make sure range is properly anchored.

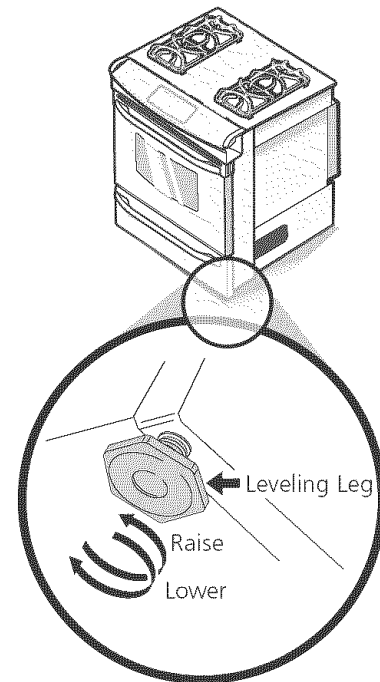


Figure 15

# INSTRUCCIONES DE INSTALACION DE COCINAS DE GAS DE 30"

(Modelos con quemadores sellados)

LA INSTALACION Y EL SERVICIO DEBEN SER EFECTUADOS POR UN INSTALADOR CALIFICADO. IMPORTANTE: GUARDE ESTAS INSTRUCCIONES PARA USO DEL INSPECTOR LOCAL DE ELECTRICIDAD. LEA Y GUARDE ESTAS INSTRUCCIONES PARA REFERENCIA FUTURA.



**ADVERTENCIA** Si la información contenida en este manual no es seguida exactamente, puede ocurrir un incendio o explosión causando daños materiales, lesión personal o la muerte.

**PARA SU SEGURIDAD:**

- No almacene ni utilice gasolina u otros vapores y líquidos inflamables en la proximidad de éste o de cualquier otro artefacto.
- **QUE DEBE HACER SI PERCIBE OLOR A GAS:**
  - No trate de encender ningún artefacto.
  - No toque ningún interruptor eléctrico; no use ningún teléfono en su edificio.
  - Llame a su proveedor de gas desde el teléfono de un vecino. Siga las instrucciones del proveedor de gas.
  - Si no logra comunicarse con su proveedor de gas, llame al departamento de bomberos.
- La instalación y el servicio de mantenimiento deben ser efectuados por un instalador calificado, la agencia de servicio o el proveedor de gas.

**Aparatos Instalados en el estado de Massachusetts;**

Este Aparato sólo puede ser instalado en el estado de Massachusetts por un plomero o ajustador de gas licenciado de Massachusetts.

Este aparato se debe instalar con un largo conector flexible de gas de tres (3) pies/36 pulgadas.

Una válvula manual de gas de tipo manija de forma de "T" se debe instalar en la línea del suministro de gas de este aparato.

No pellizque el cordón eléctrico o el conducto flexible de gas entre la estufa y la pared.

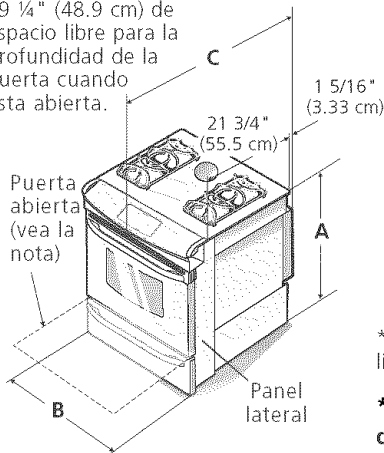
No selle la estufa a los armarios de lado.

**\*NOTA:** Un espacio mínimo de 30" (76.2 cm) entre la superficie de la estufa y el fondo del armario cuando el fondo del armario de madera o metal está protegido por no menos de 1/4" (0.64 cm) de madera resistente al fuego cubierta por una lámina metálica de MSG, número 28, 0.015" (0.4 mm) de acero inoxidable, 0.024" (0.6 mm) de aluminio, ó 0.02" (0.5 mm) de cobre.

Un espacio mínimo de 36" cuando el armario no está protegido.

**• NOTA:** Deje por los 19 1/4" (48.9 cm) de espacio libre para la profundidad de la puerta cuando esta abierta.

• Puerta abierta (vea la nota)



Acepille el borde subido a que deje espacio para un borde 31 1/2" (81 cm) de anchura de estufa

1 1/2" Max. (3.8 cm) Max.

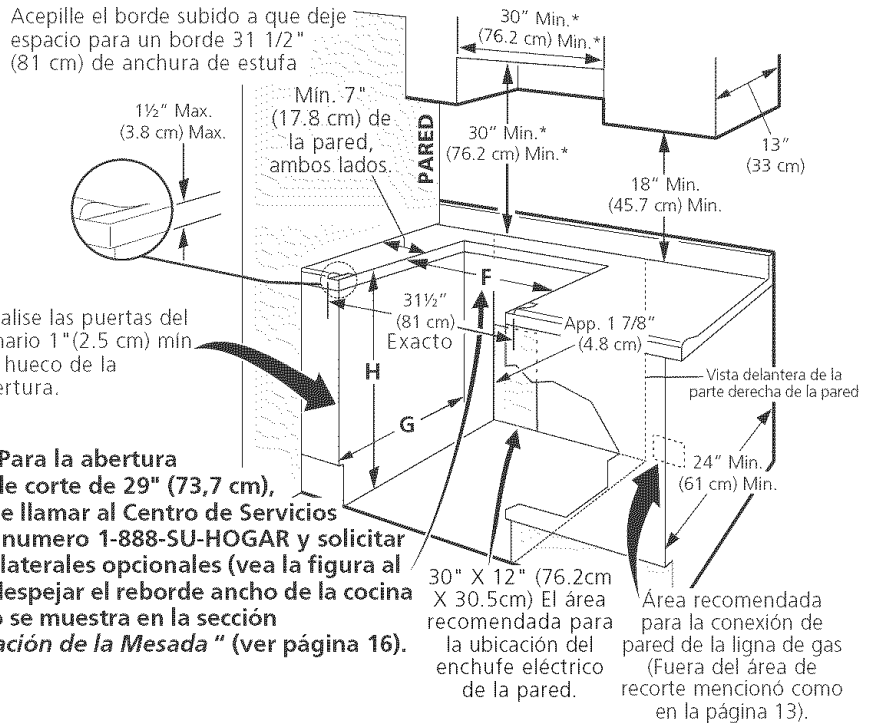
Min. 7" (17.8 cm) de la pared, ambos lados.

Localise las puertas del armario 1" (2.5 cm) mín del hueco de la abertura.

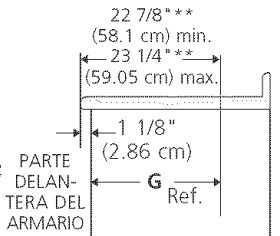
**NOTA:** Para la abertura amplia de corte de 29" (73,7 cm), tiene que llamar al Centro de Servicios Sears al numero 1-888-SU-HOGAR y solicitar paneles laterales opcionales (vea la figura al lado) y despejar el reborde ancho de la cocina tal como se muestra en la sección "Preparación de la Mesada" (ver página 16).

\*\* Para los recortados menos que 22 7/8", el electrodoméstico aparecerá ligeramente en el exterior del armario.

**\*\*\*IMPORTANTE:** Para el corte a lo ancho (dimensión F) de más de 30 1/16" (76,4 cm) para evitar que se rompa el vidrio, asegúrese que el artefacto esté centrado en la abertura de la mesada mientras lo presiona. Levante las patas de nivelación hasta la posición máxima; inserte el artefacto en la mesada y luego nivele. Asegúrese de que la unidad esté apoyada en las patas de nivelación y no en el vidrio liso.



Área recomendada para la conexión de pared de la línea de gas (Fuera del área de recorte mencionó como en la página 13).



| A. ALTURA                         | B. ANCHURA    | C. PROFUNDIDAD A LA FENTE DE LA ESTUFA | F. ANCHURA DE RECORTADO***  | G. PROFUNDIDAD DE RECORTADO                   | H. ALTURA DEL MOSTRADOR                  |
|-----------------------------------|---------------|--|-----------------------------|---|--|
| 35 3/8" (90 cm) - 36 3/8" (92 cm) | 30" (76,2 cm) | 28 5/16" (71,9 cm)                     | 30 ± 1/16" (76,2 ± 0,15 cm) | 21 3/4" (55,2 cm) Min. 22 1/8" (56,2 cm) Max. | 36" (91,4 cm) norma 35 3/8" (90 cm) min. |

G. La profundidad mínima de recortado se aumenta a 24" (61 cm) con el uso de un protector trasero.

P/N 318201667 (0410) Rev. B

**NOTA:** Se adjunta el diagrama de cables de esta cocina al final de este libreta.

English - pages 1-9

Espanol - páginas 10-18

Imprimido en los Estados Unidos

Diagrama de la instalación alámbrica - páginas 19-20

# INSTRUCCIONES DE INSTALACION DE COCINAS DE GAS DE 30"

(Modelos con quemadores sellados)

## Notas importantes para el Instalador

1. Lea todas las instrucciones contenidas en este manual antes de instalar la estufa.
2. Saque todo el material usado en el embalaje del compartimiento del horno antes de conectar el suministro eléctrico o de gas a la estufa.
3. Observe todos los códigos y reglamentos pertinentes.
4. Deje estas instrucciones con el comprador.

## Nota Importante para el Consumidor

Conserve estas instrucciones y el Manual del Usuario para referencia futura.

# IMPORTANTES INSTRUCCIONES DE SEGURIDAD

Instalación de esta estufa debe cumplir con todos los códigos locales, o en ausencia de códigos locales con el Código Nacional de Gas Combustible ANSI Z223.1/NFPA .54—última edición.

El diseño de esta estufa ha sido certificado por la CSA Internacional. En éste como en cualquier otro artefacto que use gas y genere calor, hay ciertas precauciones de seguridad que usted debe seguir. Estas serán encontradas en el Manual del Usuario, léalo cuidadosamente.

- **Asegúrese de que la estufa sea instalada y conectada a tierra en forma apropiada por un instalador calificado o por un técnico.**
- **Esta estufa debe ser eléctricamente puesta a tierra de acuerdo con los códigos locales, o en su ausencia, con el Código Eléctrico Nacional ANSI/NFPA No. 70, última edición.** Vea las instrucciones para la puesta a tierra en la página 4.
- **Antes de instalar la estufa en un área cuyo piso este recubierto con linóleo u otro tipo de piso sintético, asegúrese de que éstos puedan resistir una temperatura de por lo menos 90°F sobre la temperatura ambiental sin provocar encogimiento, deformación o decoloración.** No instale la estufa sobre una alfombra al menos que coloque una plancha de material aislante de por lo menos 1/4 pulgada, entre la estufa y la alfombra.

|   |  |  |
|---|--|--|
|  | <b>⚠ ADVERTENCIA</b> <ul style="list-style-type: none"><li>• Todas las estufas pueden volcarse.</li><li>• Esto podría resultar en lesiones personales.</li><li>• Instale el dispositivo antivuelco que se ha empacado junto con esta estufa.</li></ul> | <b>⚠ ADVERTENCIA</b> <p>Para reducir el riesgo de que se vuelque la estufa, hay que asegurarla adecuadamente con los soportes antivuelco que se proporcionan. Para comprobar si estos están instalados y apretados en su lugar como se debe, ase el borde trasero superior de la estufa y cuidadosamente incline la hacia adelante para asegurar que la estufa se ancle.</p> |
|---|--|--|

- **Asegúrese de que el material que recubre las paredes alrededor de la estufa, pueda resistir el calor generado por la estufa.**
- **No obstruya el flujo del aire de combustión en la ventilación del horno ni tampoco alrededor de la base o debajo del panel inferior delantero de la estufa.** Evite tocar las aberturas o áreas cercanas de la ventilación, ya que pueden estar muy calientes durante el funcionamiento del horno. La estufa requiere aire fresco para la combustión apropiada de los quemadores.

**⚠ ADVERTENCIA** Nunca deje niños solos o desatendidos en un área donde un artefacto está siendo usado. A medida que los niños crecen, enséñeles el uso apropiado y de seguridad para todos los artefactos. Nunca deje la puerta del horno abierta cuando la estufa está desatendida.

**⚠ ADVERTENCIA** No se pare, apoye o siente en las puertas o cajones de esta estufa pues puede resultar en serias lesiones y puede también causar daño a la estufa.

- **No almacene artículos que puedan interesar a los niños en los gabinetes sobre la estufa.** Los niños pueden quemarse seriamente tratando de trepar a la estufa para alcanzar estos artículos.
- **Los gabinetes de almacenamiento sobre la estufa deben ser evitados, para eliminar la necesidad de tener que pasar sobre los quemadores superiores de la estufa para llegar a ellos.**
- **Ajuste el tamaño de la llama de los quemadores superiores de tal manera que ésta no sobrepase el borde de los utensilios de cocinar.** La llama excesiva es peligrosa.
- **No use el horno como espacio de almacenaje.** Esto creará una situación potencialmente peligrosa.
- **Nunca use la estufa para calentar el cuarto.** El uso prolongado de la estufa sin la adecuada ventilación puede resultar peligroso.
- **No almacene ni utilice gasolina u otros vapores y líquidos inflamables en la proximidad de éste o de cualquier otro artefacto eléctrico.** Puede provocar incendio o explosión.
- En caso de una interrupción del servicio eléctrico, es posible de encender los quemadores de superficie a mano. Para encender un quemador de superficie, acerque un fósforo encendido del cabezal del quemador, y gire delicadamente el botón de control de superficie a LITE (encendido). Tener cuidado al encender los quemadores a mano.
- **Ajuste todos los controles a la posición "OFF" (apagada) después de haber hecho una operación con tiempo programado.**

### PARA MODELOS AUTOLIMPIANTES:

- **Saque la asadera, alimentos o cualquier otro utensilio antes de usar el ciclo de autolimpieza del horno.** Limpie todo exceso de derrame de alimentos. Siga las instrucciones de prelimpiado en el Manual del Usuario.
- **A diferencia de la gama estándar cocinas de gas, ESTA PLANCHA DE COCINA NO ES MOVIBLE.** No intente quitar la plancha de cocina.

# INSTRUCCIONES DE INSTALACION DE COCINAS DE GAS DE 30"

(Modelos con quemadores sellados)

## 1. Construcción de los armarios

**CAUTION** Para eliminar el riesgo de quemaduras e incendios al tocar superficies sobrecalentadas, se debe evitar colocar espacio para armarios de almacenamiento sobre las estufas con elementos al descubierto. Si se instalan armarios sobre la estufa, se pueden reducir tales riesgos instalando una campana purificadora que se proyecta horizontalmente un mínimo de 5" (12.7 cm) más afuera de la parte inferior de los armarios.

### Preparación del Mostrador

- Los lados de la superficie de la estufa se superponen a los bordes recortados del mostrador.
- Si el mostrador es **cuadrado (plano)**, no requiere ninguna preparación.
- Si usted tiene un **mostrador de frente formado (encorvado)**, hay que resurar cada esquina frontal hasta que esté plano hasta 3/4" (1.9 cm) de la abertura.
- **Los mostradores embaldosados** pueden requerir un recorte de 3/4" (1.9 cm) desde cada esquina delantera y/ o un aplanamiento de los bordes redondeados.
- **Si la anchura de apertura de la encimera es más**

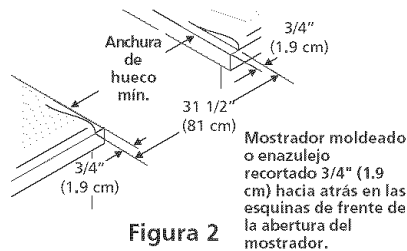


Figura 2

### Para la Anchura existente del Recorte de el 29"(73.7 cm) :

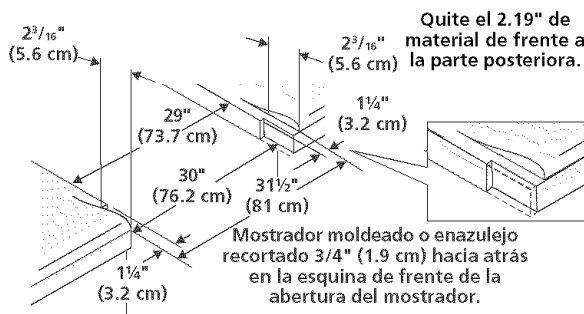


Figure 3

que la anchura mínima de recorte, ajusta el 3/4" (1.9 cm) la dimensión. .

- **El mostrador debe estar nivelado.** Ponga un nivel sobre el mostrador, primero de un lado para otro y después de delante para atrás. Si el mostrador no está nivelado, la estufa tampoco lo estará. El horno debe estar nivelado para resultados satisfactorios de cocer. Los lados de la superficie de la estufa se encajan por encima de los bordes de la abertura del mostrador.

## 2. Proporcione un suministro de gas adecuado

Cuándo se envía de la fábrica, Esta unidad ha sido ajustada para operar con un múltiple de admisión para gas natural de 4" (10.16 cm)(1.0 kPa). Un regulador de presión convertible esta conectado a la válvula distribuidora y DEBE ser conectado con la tubería del suministro de gas. Si el juego de conversión del propano LP/Propano se ha utilizado, sigue las instrucciones proporcionadas el juego para convertir el regulador de presión al uso de LP/Propano.

se debe de tener cuidado durante la instalación de la estufa para no obstruir el flujo de aire de combustión y ventilación

Para la operación apropiada, la máxima presión de entrada al regulador no debe exceder la presión de una columna de agua de 14"(35,56 cm) (3.5 kPa). La presión de entrada al regulador debe ser por lo menos 1" (.25 kPa) más grande que la válvula distribuidora. Ejemplos: Si regulador se pone para el gas natural con una presión de 4"(10,16 cm), la presión de entrada al regulador debe ser por lo menos 5"(12.60 cm); si el regulador se ha convertido para gas LP/Propane 10"(25,4 cm) la presión de entrada al regulador debe ser por lo menos 11"(27,9 cm).

Un examen de detección de fugas del aparato debe ser realizado según las instrucciones en el paso 4.

La línea de fuente de gas debe ser de 1/2" o de 3/4" .

## 3. Selle las aperturas

sella todas las aperturas en la pared detrás de la estufa y en el suelo debajo de la estufa después que la línea del suministro de gas sea instalada.

## 4. Conecte la estufa al suministro de gas

**Importante:** Quite todo el material de embalaje y literatura de la estufa antes de conectar el gas y la fuente eléctrica.

Para evitar fugas, aplique sellador de tuberías en todas las partes roscadas machos (exterior) de la tubería. El regulador se encuentra en el lugar que se muestra en la illustration. (Figura 4)

**CAUTION** No permita que el regulador gire sobre la tubería al apretar las uniones.

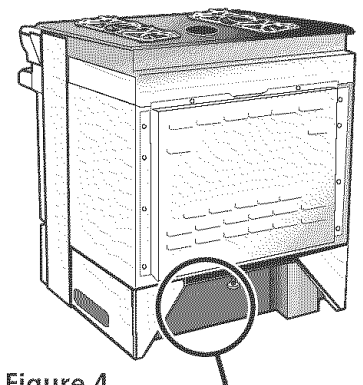


Figure 4 UBICACION DEL REGULADOR DE PRESION

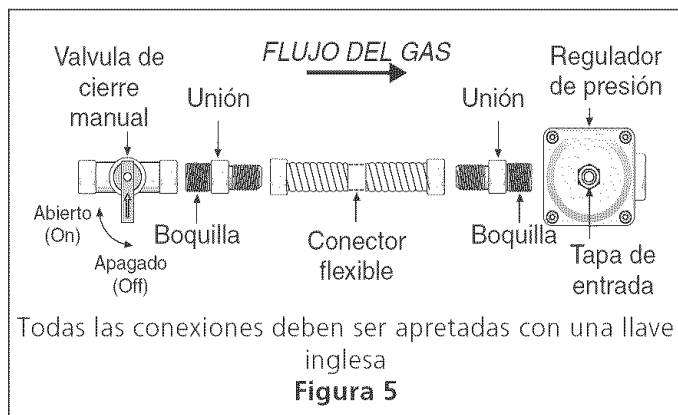
# INSTRUCCIONES DE INSTALACION DE COCINAS DE GAS DE 30"

(Modelos con quemadores sellados)

## Conecte el Regulador de Presión

El regulador de presión esta ya instalada para la estufa.

**⚠ WARNING** No haga la conexión demasiado apretada. El regulador es de die cast. El apretar demasiado puede agrietar el regulador dando por resultado una fuga de gas y un fuego o una explosión.

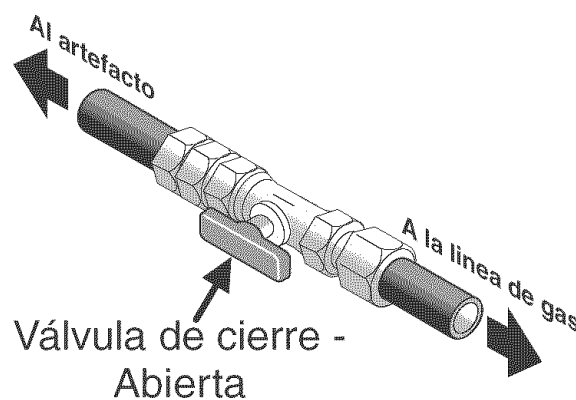


Reúna el conector flexible del tubo del suministro de gas al regulador de la presión en la orden siguiente:

1. Válvula de cierre manual
2. Boquilla de 1/2"
3. 1/2" Adaptador de unión
4. Conector flexible
5. 1/2" Adaptador de unión
6. Boquilla de 1/2"
7. regulador de presión

Use sellador para uniones de tuberías hecho para el uso de gas natural y LP/Propane para sellar todas las conexiones de gas. Si se utilizan los conectores flexibles, asegúrese de que los conectores no están enroscados.

La línea del suministro se debe de ser equipada de una válvula de cierre manual aprobada. Esta válvula se debe localizar en el mismo cuarto que la estufa y debe estar en una localización que permita la facilidad de la abertura y del cierre. No bloquee el acceso a la válvula. La válvula es para encender o apagar el gas del aparato.



Una vez que regulador está en su lugar, abra la válvula en la línea del suministro de gas. Espere algunos minutos para que el gas pueda moverse a través de la línea de gas.

**Compruebe para saber si hay fugas de gas.** Después de conectar la estufa con la fuente de gas, compruebe el electrodomestico para saber si hay fugas con un manómetro. Si un manómetro no está disponible, gire la fuente de gas y utilice un detector líquido de fugas (o jabón y agua) en todos los empalmes y conexiones has la comprobación para fugas.

No utilice una llama para verificar fugas en las conexiones de gas. Verificar para fugas con una llama puede tener como resultado un fuego o la explosión.

Apriete todas las conexiones como necesario para prevenir fugas de gas en la superficie de la estufa o en la línea de suministro.

**Verifique la alineación de válvulas de botón de control** después de conectar el aparato al suministro de gas para estar seguro que el tubo de la plancha de cocina no ha movido. Un desajuste podría causar que los tallos de válvula se froten en el tablero de mandos, teniendo como resultado una fuga de gas en la válvula.

**Desconecte la estufa y su válvula de cierre manual** del sistema de tubería del suministro de gas durante cualquier prueba de presión de ese sistema a presiones mayores de 1/2 psig (3,5 kPa o 14" columna de agua).

**Aísle la estufa del sistema de tubería del suministro de gas** cerrando su válvula de cierre manual durante cualquier prueba de presión del sistema de tubería del suministro de gas prueba de presión iguala a o a menos de 1/2 psig (3,5 kPa o 14" columna de agua).

# INSTRUCCIONES DE INSTALACION DE COCINAS DE GAS DE 30"

(Modelos con quemadores sellados)

## 5. Conversión para uso de Propano Líquido

Este aparato puede ser usado con gas natural o propano líquido. Ha sido ajustado en la fábrica para operar con gas natural solamente.

Si desea convertir su estufa para uso con propano líquido, use los orificios provistos ubicados en el bolso que contiene la literatura titulada "FOR LP/PROPANE GAS CONVERSION." Siga las instrucciones que vienen con los orificios.

La conversión debe ser efectuado por un técnico de servicio capacitado, de acuerdo con las instrucciones del fabricante y con todos los códigos y requisitos de las autoridades correspondientes. El no seguir las instrucciones podría dar como resultado lesiones graves o daños a la propiedad. El organismo autorizado para llevar a cabo este trabajo asume la responsabilidad de la conversión.

**⚠ ADVERTENCIA** La falta de una conversión apropiada puede resultar en lesiones graves y daños a la propiedad.

## 6. Requisitos eléctricos

**120 voltio, 60 Hertzio, circuito dedicado apropiadamente puestos a tierra protegido por un circuito de amperio o fusible de demora de tiempo de 15 amp. Nota: no es recomendado instalarlo con un Interruptor (GFI) de puesta a tierra.**

**No utilice una extensión con esta estufa.**

### Instrucciones de puesta a tierra

**IMPORTANTE** Por favor lea con cuidado.

**Para la seguridad personal, este aparato debe ser puesto a tierra apropiadamente.**

El cable del suministro eléctrico de esta estufa está equipado con un enchufe de tres patillas (para puesta a tierra) que coincida con un enchufe de pared estándar con puesta a tierra de tres patillas para minimizar la posibilidad que se produzcan descargas eléctricas. El cliente deberá encargar a un técnico para asegurarse de

### Método preferido

Enchufe de pared con toma de tierra

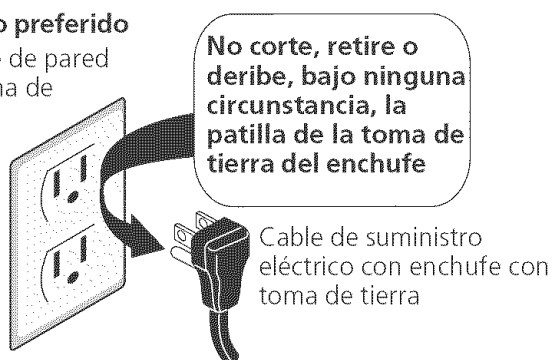


Figure 7

que el enchufe se encuentra debidamente conectado a tierra y polarizado. En lugares en los que aya un enchufe de pared estándar de dos patillas, el cliente tendrá responsabilidad directa y la obligación de reemplazarlo por un enchufe de pared de tres patillas debidamente cableado a tierra.

**Bajo ninguna circunstancia, corte, retire o deribe la tercera patilla (de toma de tierra) del cable del suministro de energía eléctrica.**

**⚠ WARNING** Desenchufa el cable del suministro de energía eléctrica del enchufe de pared antes de mantener la plancha de cocina.

## 7. La mudanza del aparato para reparaciones o limpieza

Apague la corriente eléctrica a la estufa a la fuente de poder principal, y apague la válvula de cierre manual de gas. Asegúrese de que la estufa esté fresca. Quite el cajón de servicio (el cajón calentador en algunos modelos) y abra la puerta del horno. Levante la frente de la estufa y deslícela fuera de la abertura sin crear tensión desmedida sobre el conducto flexible de gas. Asegúrese de no pellizque el conducto flexible de gas detrás de la estufa al reemplazar la unidad en la abertura. Reemplace el cajón, cierre la puerta y enciende el gas y la corriente eléctrica a la estufa. El regulador debe desconectarse antes de mover el aparato, si el regulador de la estufa se conecta a una cañería rígida. Si la estufa se equipa con un cajón calentador, el regulador puede accersarse mediante un panel lateral de lado. Quite los dos tornillos que aseguran el panel, entonces quite el panel. Desconecte el regulador de la cañería. Reensamble en orden inverso (consulte Figura 8).

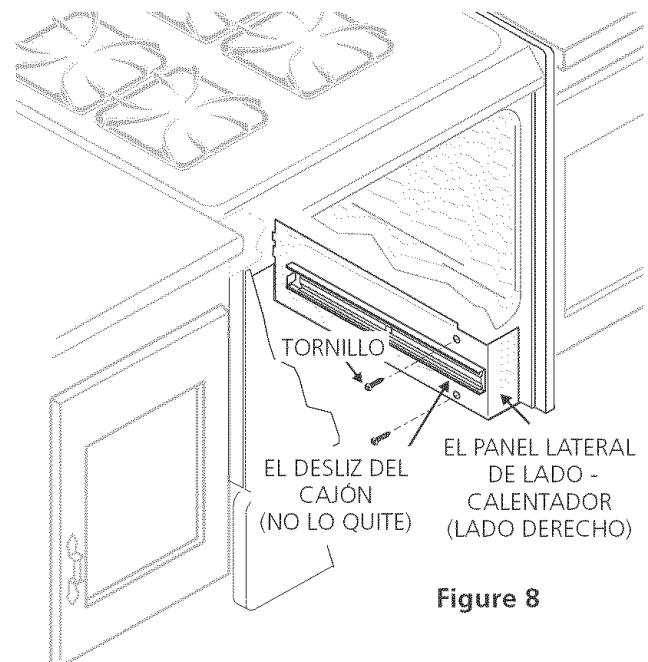


Figure 8



# INSTRUCCIONES DE INSTALACION DE COCINAS DE GAS DE 30"

(Modelos con quemadores sellados)

## 8. Instalación de la estufa

### Instalación estándar

1. La superficie de la estufa se sobrepone al mostrador por los lados y la estufa descansa sobre el piso. La estufa es de 31 1/2" (81 cm) de anchura.
2. Instale los gabinetes de base con una separación de 30" (76.2 cm). Asegúrese de que se aplomen y sean nivelados antes de juntar la estufa. Acepille la parte levantada del borde del mostrador dejando espacio para la superficie de la estufa de 31 1/2" (81 cm).
3. Instale las puertas de los gabinetes con una separación mínima de 31" (78.7 cm) para que no obstruyan con la puerta de la estufa al abrirse.
4. Recorte el mostrador exactamente según el dibujo en la página 1.
5. Un protector trasero puede pedirse mediante su Centro de Servicios Sears.
6. Para proporcionar una instalación óptima, la superficie primera del mostrador debe ser nivelada y plana alrededor de los 3 lados que están adyacentes de la parrilla de la estufa. Los ajustes Apropriados para ponerlo plano deben de ser hechos o los espacios entre el mostrador y la plancha de cocina pueden ocurrir.
7. Para reducir el riesgo de dañar su aparato, no maneje ni lo manipula por la plancha de cocina. Manipule el aparato con cuidado.
8. Posicione la estufa delante de la apertura del armario.
9. Aseguresé que la plancha de cocinar que sobresale por encima del mostrador sea mas alta quel mostrador. Si necesario, levanta la unidad bajando las piernas que nivelan.
10. Nivel la estufa (ve la sección 10). El piso donde la estufa deberá ser instalada debe ser plano. Siga las instrucciones "Nivelación de la estufa - Para los modelos equipado con las patas niveladoras (figura 15).
11. Ajuste a las patas niveladoras de manera que la parte de abajo de la plancha de cocina está apoyada contra el mostrador.
12. Con cuidado enrosque los tornillos en la espalda que tiene las patas niveladoras hasta que la plancha de cocina toque ligeramente el mostrador. La plancha de cocina no debe sostener la unidad.
13. Entonces enrosque con cuidado en la frente las dos patas niveladoras (semejante a 11) hasta que la plancha de cocina toque ligeramente el mostrador.
14. Si la estufa no es plana, tira la unidad fuera y ajusta de nuevo las patas niveladoras, o aseguresé de que el piso este nivelado.

### Instalación Para un Recorte de Abertura Ancho De 29"

1. Usted debe substituir los paneles laterales reales por los paneles laterales nuevos y más pequeños. Los paneles laterales pueden ser pedidos con su representante del Centro de Servicios Sears.
2. Siga las instrucciones provistas con los nuevos ajustes

- laterales para el reemplazo de los ajustes laterales.
3. vea si el mostrador esta preparado para un recorte de abertura ancho de 29" en la sección de la "Preparación del mostrador".
4. Instale la estufa como en la sección "instalación estándar".

### Instalación con un protector trasero

La profundidad del recortado de (21 3/4" (55.2 cm) Min., 22 1/8" (56.2cm) Max.) necesita aumentarse a 24" (61 cm) al instalar un protector trasero.

### Instalación con paneles laterales

Instala las puertas del armario 31" (78,7 cm) min. aparte para que no interfieren con la apertura de la puerta de la estufa.

### NOTA

Los paneles laterales, protectores trasero y el juego de termino de panel se pueden ordenar por Sears Partes & Reparación. Llame al 1-888-SU-HOGAR.

## 9. Comprobación del funcionamiento

Consulte el Manual del Usuario incluido con la estufa para instrucciones de operación y instrucciones para el cuidado y limpieza de su estufa.

No toque los elementos o quemadores. Pueden estar bastante calientes para causar quemaduras.

Quite todo el embalaje de la unidad antes de comprobarla.

### 9.1 Instala las Bases y las tapas de los Quemadores

Esta estufa esta equipada con quemadores sellados como mostrado (vea la Figura 9).

- a. Desembale las basas y las tapas de los quemadores.
- b. Coloque una basa de quemador sobre cada abertura de gas.

- c. Asegurese que el quemador está correctamente alineado y nivelado. Coloque las tapas de los quemadores sobre las correctas basas de quemadores.
- NOTA:** No hace falta ningún ajuste de quemador en esta estufa.

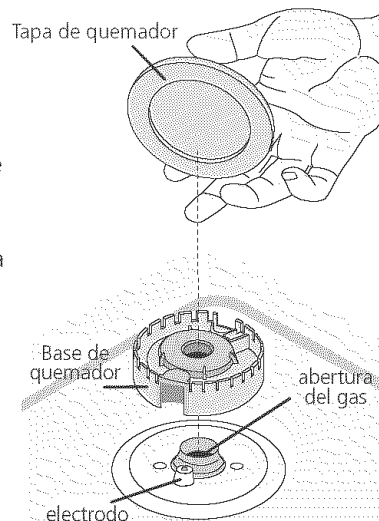


Figure 9



## 9.2 Enciende la corriente eléctrica y abre la válvula principal de cierre.

## 9.3 Comprobación de los Encendedores

El funcionamiento de los encendedores eléctricos debe ser comprobado después de que la estufa y los conectores a la tubería de suministro de gas hayan sido comprobados para las fugas y la estufa haya sido conectada eléctricamente. Para comprobar que el encendido sea correcto:

- Empuje y gire un botón control del quemador superior hasta la posición LITE (encender). Se podría oír el encendedor haciendo chispas.
- El quemador se deberá encender en cuatro (4) segundos para un funcionamiento normal, después de que el aire haya sido purgado de la tubería de suministro de gas. Controle visualmente que el quemador se haya encendido.
- Después de que el quemador se haya encendido, la plancha de cocina debe ser girada fuera de la posición LITE. Cada quemador tiene su encendedor individual. Controle las perillas separadamente hasta que todas las válvulas hayan sido controladas.

## 9.4 Ajuste de la Posición LOW (BAJA) Para la Válvula del Quemador Superior (Figura 12)

- Gire el botón de control a la posición LITE (encender) hasta que el quemador encienda.
- Rápidamente** gire el botón de control a la POSICION MAS BAJA.
- Si el quemador se apaga, reajuste la válvula de la siguiente forma: Mueva el control a la posición OFF (apagada). Saque la perilla de control del quemador superior, inserte un destornillador plano pequeño en el hueco del vástago del a válvula hasta enganchar el tornillo interior. El tamaño de la llama puede ser aumentado o disminuido girando el tornillo. Ajuste el tamaño de la llama hasta que pueda pasar rápidamente de la posición LITE hasta la posición MAS BAJA sin que se apague la llama. La llama debe ser lo más pequeña posible sin que se apague.

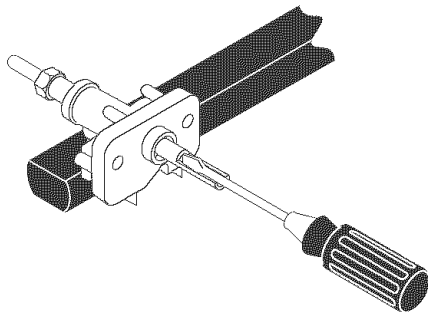


Figure 10

## 9.5 Operación de Quemadores del Horno y Ajustes de Horno

### 9.5.1 Quemadore de ignición electrica

La operación de los encendedores eléctricos debe de ser revisada después de que la cocina y los conectores de la línea de suministro haya sido cuidadosamente revisada para descartar fugas y que la cocina haya sido conectada a la coriente eléctrica.

El quemador del horno está equipado con un sistema de control electrico así como un encendedor de quemador de horno eléctrico. Si su modelo esta equipado con un quemador de asado central superior, también contará con un encendedor de quemador eléctrico. Estos sistemas de control no requieren ajustes. Cuando el horno esta configurado para operar, la coriente fluirá hacia el encendedor y tendrá un resplandor de manera similar a una bombilla de luz. Cuando el encendedor a alcanzado una temperatura suficiente para encender el gas, la válvula del horno controlada eléctricamente se abrirá y el fuego aparecerá en el quemador del horno. hay un lapso de tiempo de 30 a 60 segundos depués de que el termostato se enciende y antes de que la llama aparezca en el quemador del horno. Cuando el horno alcanza la configuración del dial, el encendedor resplandeciente se apagará. la llama del quemador desaparecerá por 20 a 30 segundos después de que el encendedor se apage. Para mantener cualquier temperatura de horno dada, este ciclo continuará tanto como el dial (o visualizador) esté configurado para operar.

Después de retirar todos los materiales del empaque y la literatura del horno:

- Fije el horno en HORNEAR (BAKE) a 300°F. Vea la guía de Uso y Cuidado para conocer las instrucciones de funcionamiento.
- En 60 segundos el quemador del horno se encenderá. Revise que exista un fuego adecuado, y permita que el quemador cumpla su ciclo una vez. Gire los controladores hacia off (APAGADO).
- Si su modelo esta equipado con un asador central superior, fije el horno en ASAR.Vea la Guía de Uso y Cuidado para conocer las instrucciones de funcionamiento.
- En 60 segundos el quemador de asar debe de encenderse. Revise si exista una llama adecuada. Gire los controles hacia off (APAGADO).

# INSTRUCCIONES DE INSTALACION DE COCINAS DE GAS DE 30"

(Modelos con quemadores sellados)

## 9.5.2 Obturador del Aire - Quemador del horno

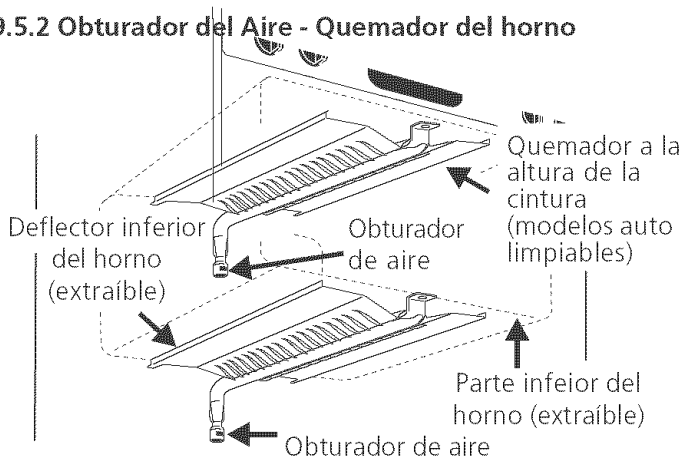


Figure 11

La longitud aproximada de la llama del quemador del horno es 1 pulgada (interior claro, llama azul). Para determinar si la llama del quemador de horno es la adecuada, retire el fondo del horno y el deflector del quemador i fije el horno en la opción hornear a 300°F.

Para retirar el fondo del horno, retire los tornillos de ajuste del horno en la parte posterior del fondo del horno. jale hacia arriba, desenganche el frente del fondo del marco anterior del horno, y jale la base hacia a fuera de éste. retire el deflector del quemador de manera que la llama del quemador pueda ser observada.

Si la llama es de color amarillo, aumente el tamaño de la abertura del obturador de aire (Vea el tamaño "2" en el gráfico de abajo). Si la llama es de azul claro, reduzca el tamaño de la abertura del obturador de aire. Para ajustar un tornillo de cierre flojo (Vea el

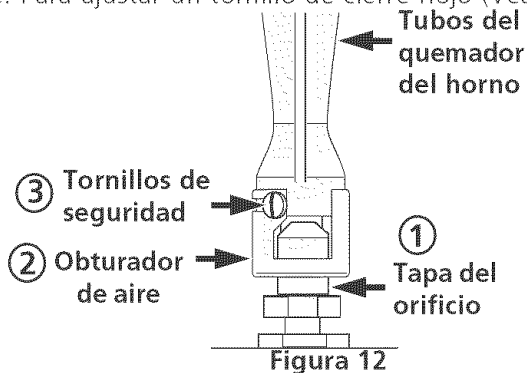


Figure 12

gráfico "3" de arriba), vuelva a colocar el obturador de aire, y ajuste el tornillo de cierre. Reemplace el fondo del horno.

## 9.5.3 Obturador de aire - Quemador de asado

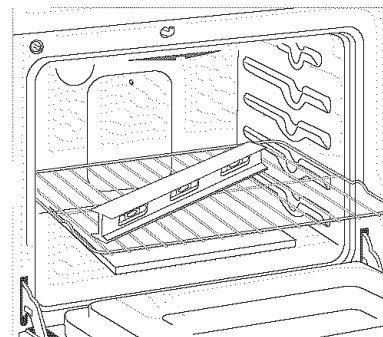
La longitud aproximada de la llama del quemador de asado es 1 pulgada (interior claro, llama azul). Para determinar si la llama del quemador de asado es la adecuada, poner el horno en la opción asar.

Si la llama es de color amarillo, aumente el tamaño de la abertura del obturador de aire (Vea el tamaño "2"

en el gráfico de abajo). Si la llama es de azul claro, reduzca el tamaño de la abertura del obturador de aire, y ajuste el tornillo de cierre.

## 10. Nivelación de la estufa

Nivele la estufa y ajuste la altura de la estufa antes de instalarla en la abertura



1. Coloque una parrilla del horno en el centro del horno.
2. Ponga un nivel sobre la parrilla (figura 10). Tome dos lecturas con el nivel puesto diagonalmente en una dirección y después en la otra. Nivele la estufa, si es necesario, ajustando las 4 patas niveladoras con una llave de tuercas.
3. Asegúrese de no dañar al mostrador, deslice la estufa dentro de la abertura del hueco y vuelva a verificar a la nivelación.

## Después de Terminar la Instalación

Asegúrese de que todos los controles estén en la posición OFF (apagada).

Asegúrese de que el flujo del aire de combustión y de ventilación a la estufa no esté obstruido.

## Ubicación del Número de Modelo y de Serie

La placa con el número de serie está ubicada en el marco delantero del horno detrás de la puerta del horno (algunos modelos) o detrás del cajón (algunos modelos).

Cuando haga pedidos de repuestos o solicite información con respecto a su estufa, esté siempre seguro de incluir el número de modelo y de serie y el número o letra del lote de la placa de serie de su estufa.

La placa con el número de serie también le da la potencia nominal de los quemadores, el tipo de combustible y la presión a la cual fué ajustada la estufa en la fábrica.

## Antes de Llamar al Servicio

Lea la sección Evite Llamadas de Servicio en su Manual del Usuario. Esto le podrá ahorrar tiempo y gastos. Esta lista incluye ocurrencias comunes que no son el resultado de defectos de materiales o fabricación de este artefacto.

Lea la garantía y la información sobre el servicio en su Manual del Usuario para obtener el número de teléfono gratuito y la dirección del servicio. Por favor llame o escriba si tiene preguntas acerca de su estufa o necesita repuestos. Refere a el guío Uso y Cuido para los numeros de telefono del Servicio de Sears o llame al 1-888-SU-HOGAR.

# INSTRUCCIONES DE INSTALACION DE COCINAS DE GAS DE 30"

(Modelos con quemadores sellados)

## 11. Para los modelos equipado con las patas niveladoras.

**ADVERTENCIA** Para reducir el riesgo de inclinación de la cocina, ésta debe ser asegurada hacia el piso con las fijaciones de anti-inclinación y los tornillos que vienen con la cocina. Estos componentes se encuentran en el horno. Si no instala las fijaciones, corre el riesgo que su cocina pueda inclinarse si pone demasiado peso en ella o si un niño sube sobre ésta. Esto podría ocasionar graves heridas causadas por líquidos calientes o por la propia cocina.

Siga estas instrucciones para instalar las fijaciones de anti-inclinación.

Si la cocina es trasladada a otro lugar, las fijaciones de anti-inclinación deben también ser trasladados con la cocina. Para controlar la instalación apropiada, vea el paso número 5.

### Herramientas Necesarias:

Llave de tuerca de 5/16" (0,79 cm) o destornillador para tornillos de cabeza plana  
Llave inglesa  
Taladro eléctrico  
Broca de 3/16" (0,48 cm) de diámetro  
Broca para taladro de mampostería de 3/16" (0,48 cm) de día. (si se está instalando en concreto)

Los soportes se fijan al suelo en la parte trasera de la estufa para sujetar ambos niveladores de las patas traseras. Cuando los esté instalando al piso, asegúrese de que los tornillos no penetren el alambrado eléctrico o plomería. Los tornillos provistos pueden utilizarse en madera o concreto.

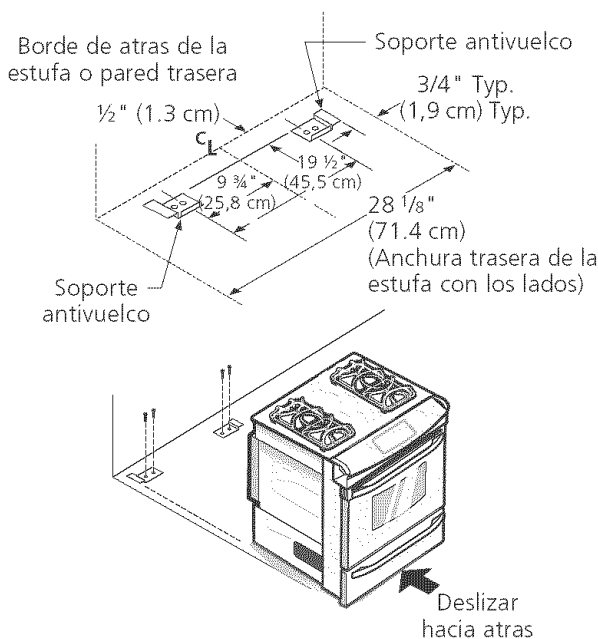


Figura 11

1. Desdoble la plantilla de papel y colóquela plana en el piso con los bordes laterales y el trasero colocados exactamente donde la parte trasera y los lados de la estufa serán colocados cuando sea instalada. (Use el diagrama siguiente para ubicar los soportes si no se dispone de la plantilla).
2. Marque en el piso la ubicación de los 4 agujeros de montaje como se muestra en la plantilla. Para facilitar la instalación, se pueden taladrar agujeros piloto de 3/16" (0.5 cm) de día. y 1/2" (1.3 cm) de profundidad en el piso.
3. Saque la plantilla y coloque los soportes en el piso con la brida hacia arriba dirigida hacia el frente. Alinee los agujeros en los soportes con las marcas en el piso y sujete con los 4 tornillos provistos. Los soportes deben estar asegurados al piso firme. Si se va a instalar en piso de concreto, primero debe taladrar agujeros guía de 3/16" (0.5 cm) de diámetro usando una broca para taladro de mampostería.
4. Nivele la estufa si es necesario ajustando las cuatro patas niveladoras con una llave (Ver la Figura 12 abajo). Se requiere un espacio libre mínimo de 1/8" (0.8 cm) entre la parte inferior de la estufa y los niveladores de las patas traseras para dejar espacio para los soportes antivuelco.
5. Deslice la estufa a su lugar asegurándose de que las patas traseras estén sujetas por los extremos de los soportes. La estufa puede necesitar ser movida ligeramente a un lado cuando está siendo empujada hacia atrás para permitir que las patas se alineen con los soportes. Usted también puede asir el borde trasero de la cima de la estufa y cuidadosamente intentar voltearla para asegurarse de que la estufa sea adecuadamente anclada.

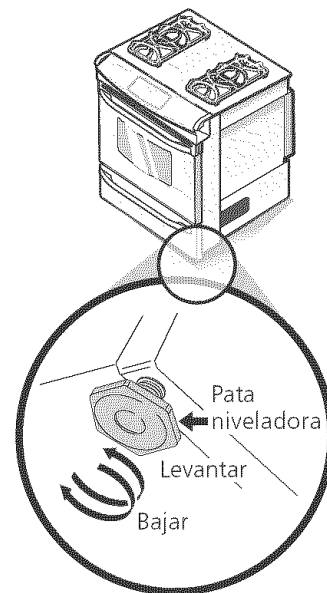
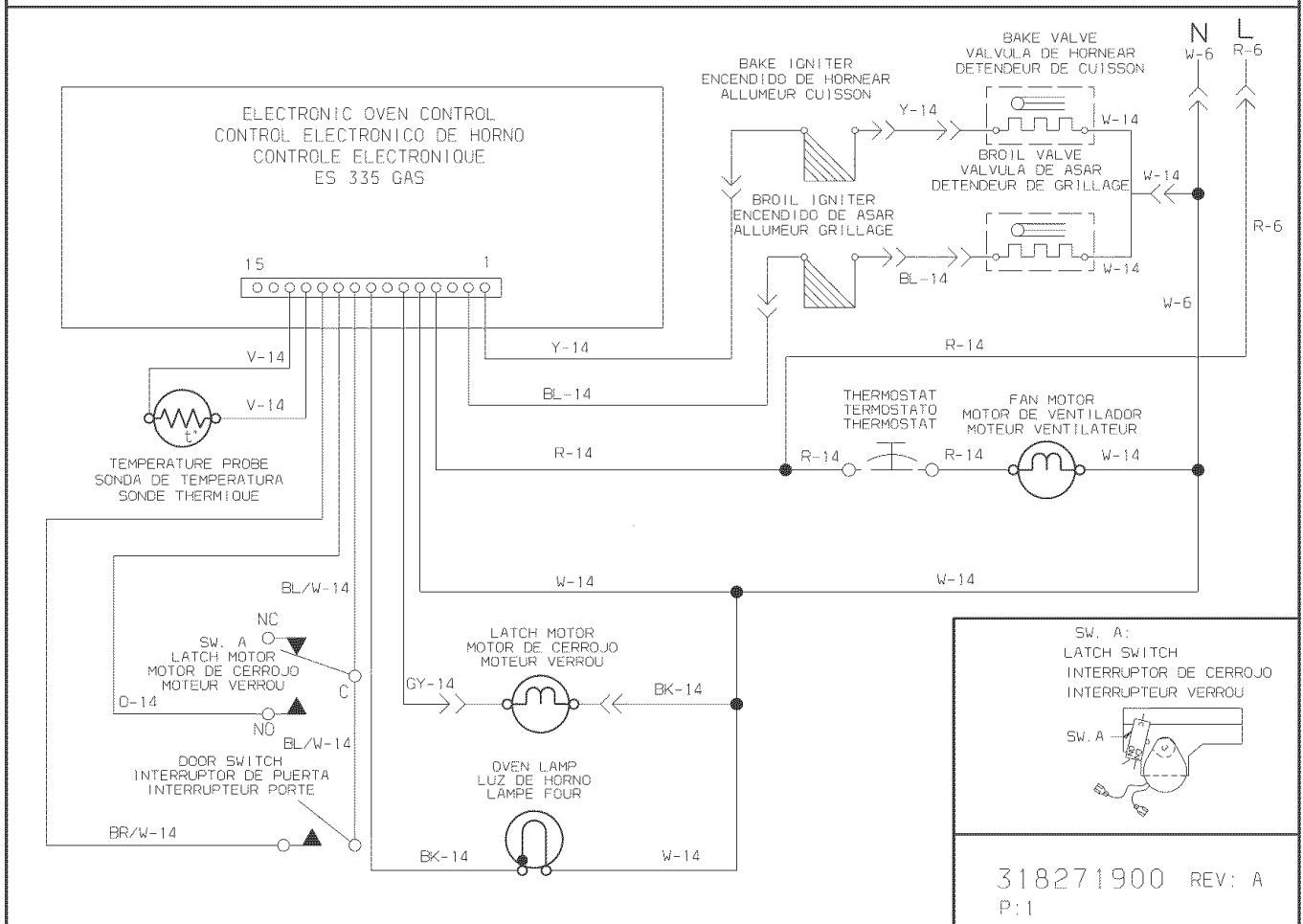
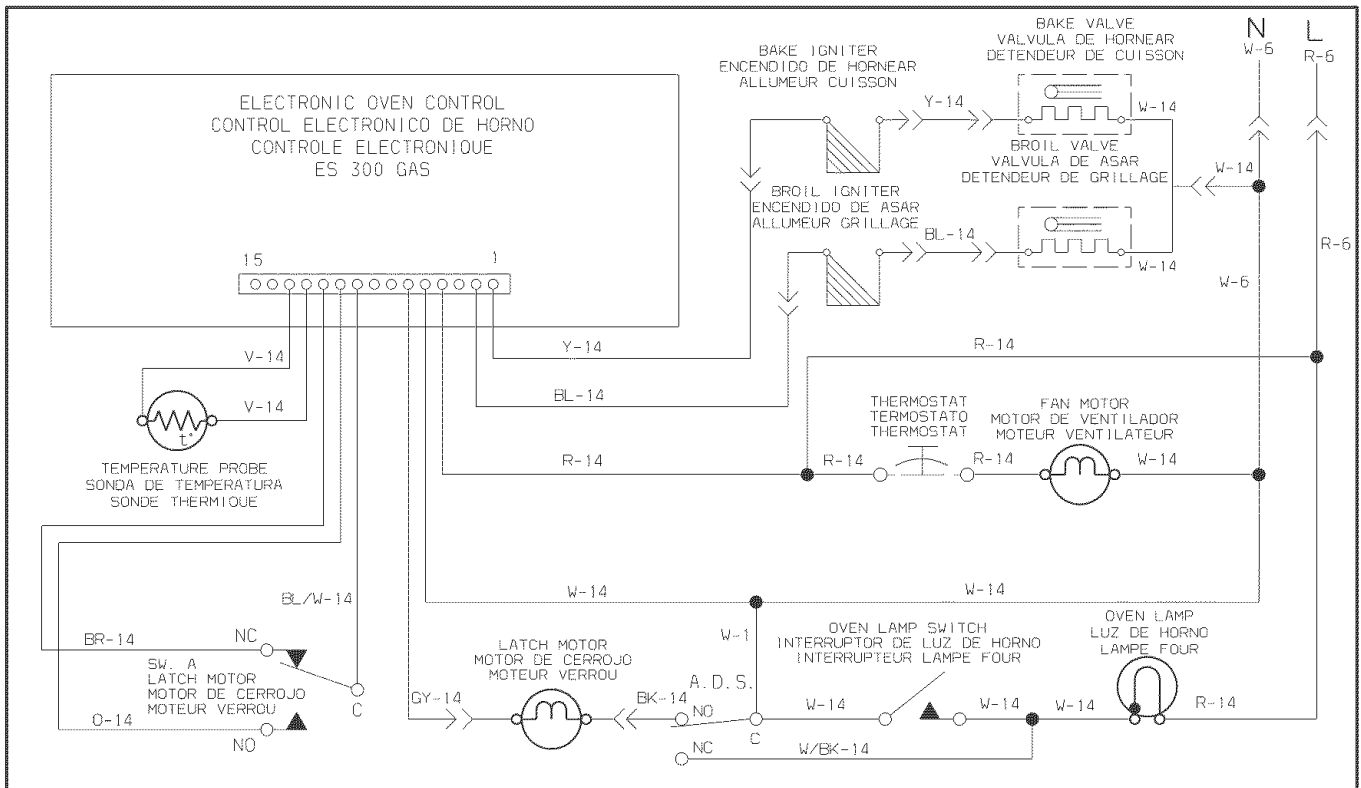


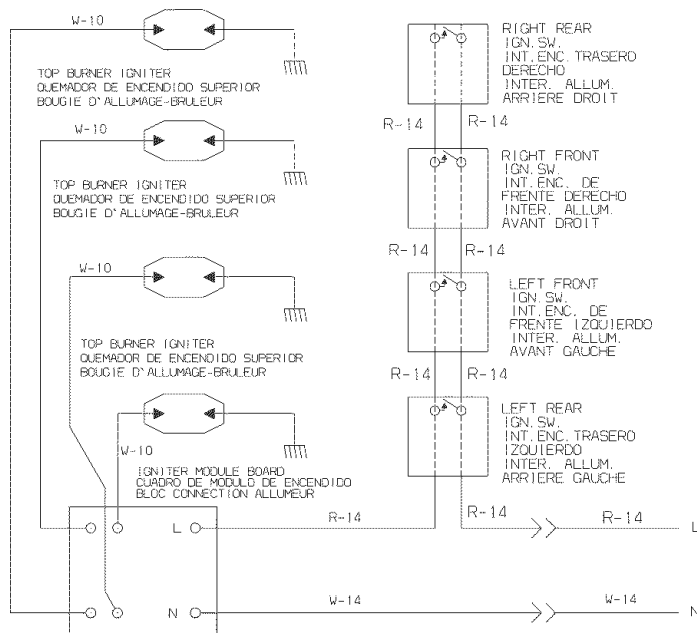
Figura 12

# WIRING DIAGRAM - DIAGRAMA DE LA INSTALACIÓN ALÁMBRICA



# WIRING DIAGRAM - DIAGRAMA DE LA INSTALACIÓN ALÁMBRICA

COOKTOP CIRCUIT/CIRCUITO DE PLANCHA DE COCINAR/  
CIRCUIT TABLE CUISSON



## WARNING/AVISO/AVERTISSEMENT

DISCONNECT POWER BEFORE SERVICING UNIT/  
DESCONECTE LA ENERGÍA ANTES DE REALIZAR  
EL MANTENIMIENTO DEL ELECTRODOMESTICO/  
COUPER LE COURANT AVANT D'EFFECTUER  
LA REPARATION.

W-10

WIRES COLOR NO./NO. DE COLOR DE ALAMBRE/NO. COULEUR DES FILS

## COLOR CODE/CODIGOS/COULEUR

|      |  |    |                         |
|------|--|----|-------------------------|
| BK   | BLACK/NEGRO/NOIR                                     | P  | PINK/ROSA/ROSE          |
| BL   | BLUE/AZUL/BLEU                                       | PR | PURPLE/PURPUREO/POURPRE |
| BR   | BROWN/MORENO/BRUN                                    | R  | RED/ROJO/ROUGE          |
| C    | COPPER/COBRE/COUVRE                                  | T  | TAN/TOSTADO/TAN         |
| G    | GREEN/VERDE/VERT                                     | V  | VIOLET/VIOLETA/VIOLET   |
| GY   | GRAY/GRAY/GRIS                                       | W  | WHITE/BLANCO/BLANC      |
| O    | ORANGE/NARANJA/ORANGE                                | Y  | YELLOW/AMARILLO/JAUNE   |
| BL/W | BLUE/WHITE STRIPE/RAYAS AZUL BLANCA/STRIE BLEU/BLANC |    |                         |

| CODE | GAUGE/MEDIDA<br>CALIBRE | TEMP. °C | STYLE/MODO/STYLE<br>CSA | STYLE/MODO/STYLE<br>UL |
|------|-------------------------|----------|-------------------------|------------------------|
| 1    | 18                      | 125      | CL1251                  | 3173                   |
| 2    | 16                      | 125      | CL1251                  | 3173                   |
| 3    | 14                      | 125      | CL1251                  | 3173                   |
| 4    | 12                      | 125      | CL1251                  | 3173                   |
| 5    | 18                      | 150      | EXL-150                 | 3321                   |
| 6    | 16                      | 150      | EXL-150                 | 3321                   |
| 7    | 14                      | 150      | EXL-150                 | 3321                   |
| 8    | 12                      | 150      | EXL-150                 | 3321                   |
| 9    | 10                      | 150      | EXL-150                 | 3321                   |
| 10   | 18                      | 200      | SEW-1                   | 3122                   |
| 11   | 16                      | 200      | SEW-1                   | 3122                   |
| 12   | 12                      | 250      |                         | 3252                   |
| 13   | 16                      | 250      |                         | 3252                   |
| 14   | 20                      | 150      | EXL-150                 | 3321                   |
| 15   | 8                       | 150      | EXL-150                 | 3321                   |
| 16   | 8                       | 60       |                         |                        |
| 17   | 10                      | 60       |                         |                        |
| 18   | 10                      | 200      | SEW-1                   | 3122                   |
| 19   | 12                      | 125      | CL1251                  | 3173                   |

## CAUTION:

LABEL ALL WIRES PRIOR TO DISCONNECTION WHEN SERVICING CONTROLS.  
WIRING ERROR CAN CAUSE IMPROPER AND DANGEROUS OPERATION.  
VERIFY PROPER OPERATION AFTER SERVICING.

## AVISO:

ETIQUETE TODOS LOS ALAMBRES ANTES DE DESCONECTAR PAR  
REALIZAR ET MANTENIMIENTO DE LOS CONTROLES. ERROR DE  
ALAMBRAJE PUEDE CAUSAR UN FUNCIONAMIENTO INCORRECTO  
Y PELIGROSO. VERIFIQUE SI EL FUNCIONAMIENTO ESTA  
CORRECTO DESPUES DEL MANTENIMIENTO.

## AVERTISSEMENT:

ETIQUETER CHAQUE FIL AVANT LE DEBRANCHEMENT DE CEUX-CI. UNE ERREUR DE  
BRANCHEMENT PEUT CAUSER UNE OPERATION DANGEREUSE. VERIFIER LE BON  
FUNCTIONNEMENT DE L'APPAREIL APRES TOUTE REPARATION.

## NOTE/NOTA/NOTE:

CIRCUIT SHOWN WITH ALL CONTROLS SET TO "OFF".  
OVEN DOOR CLOSED AND UNLOCKED.  
EL CIRCUITO ESTA ILUSTRADO CON TODOS LOS CONTROLES A "OFF"  
(APAGADO) PUERTA DE HORNO ABIERTA Y NO CERRADA.  
LE SCHEMA ELECTRIQUE INDIQUE QUE LES COMMANDES SONT  
A "ARRET" . QUE LA PORTE EST FERMEE ET NON VERROUILLEE.

318271900 REV: A  
P:2