

# SEARS

## Owner's manual

Model  
C950524312A  
11.5 H.P. 30 inch

### CAUTION:

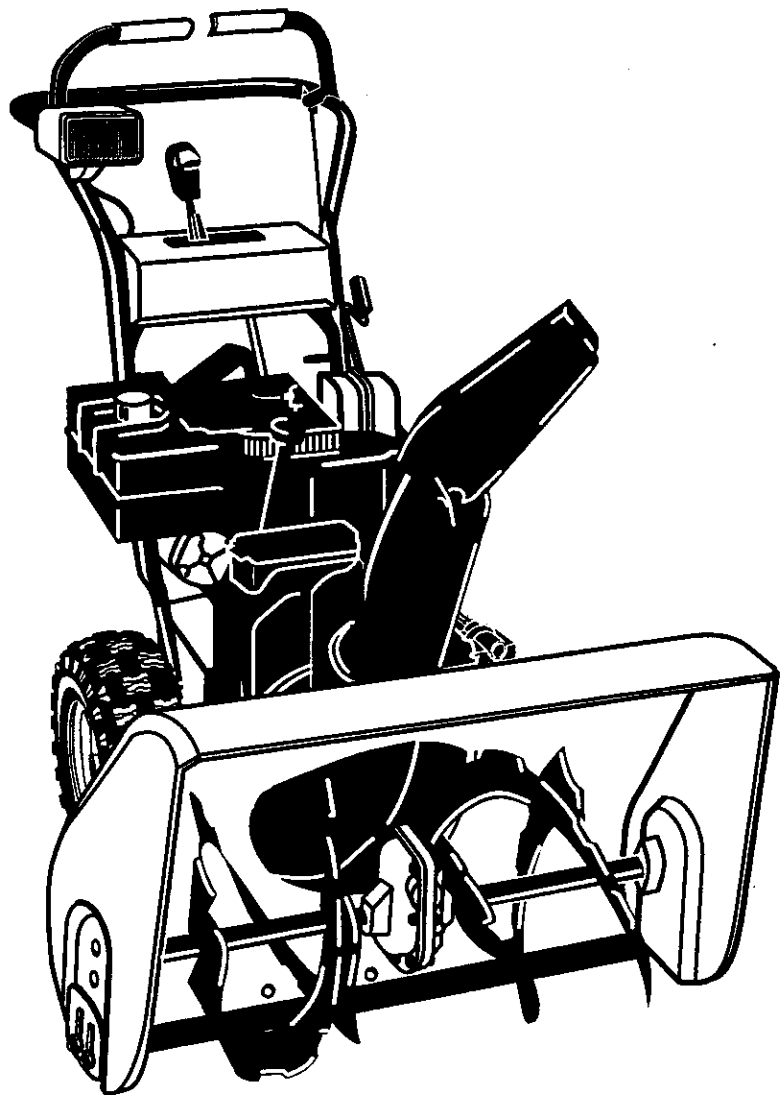
You must read and understand this owner's manual before operating unit.

Serial No. \_\_\_\_\_

# SEARS

## CRAFTSMAN

# DUAL STAGE SNOW BLOWER





# RULES FOR SAFE OPERATION

## General Information

This instruction book is written for a person with some mechanical ability. Like most service books, not all the steps are described. Steps on how to loosen or tighten fasteners are steps anyone can follow with some mechanical ability. Read and follow these instructions before you use the unit.

**Know your product:** If you understand the unit and how the unit operates, you will get the best performance. As you read this manual, compare the illustrations to the unit. Learn the location and the function of the controls. To help prevent an accident, follow the operating instructions and the safety rules. Keep this manual for future reference.




**IMPORTANT:** Many units are not assembled and are sold in cartons. It is the responsibility of the owner to make sure the assembly instructions in this manual are exactly followed. Other units are purchased in an assembled condition. On assembled units, it is the responsibility of the owner to make sure the unit is correctly assembled. The owner must carefully check the unit according to the instructions in this manual before it is first used.

  This manual contains safety information to make you aware of the hazards and risks associated with snow throwers, and how to avoid them. The snow thrower is designed and intended for removal of snow, and should not be used for any other purpose. It is important that you read and understand these instructions, and anyone operating the equipment read and understand these instructions.

### WARNING
















The engine exhaust from this product contains chemicals known to the State of California to cause cancer, birth defects, or other reproductive harm.

A signal word (DANGER, WARNING, or CAUTION) is used with the alert symbol to indicate the likelihood and the potential severity of injury. In addition, a hazard symbol may be used to represent the type of hazard.

-  **DANGER** indicates a hazard which, if not avoided, will result in death or serious injury.
-  **WARNING** indicates a hazard which, if not avoided, could result in death or serious injury.
-  **CAUTION** indicates a hazard which, if not avoided, might result in minor or moderate injury.  
**CAUTION**, when used without the alert symbol, indicates a situation that could result in damage to the equipment.

## Hazard Symbols and the meanings

These symbols are used on your equipment and defined in your operating manual. Review and understand the meanings. The use of one of these symbols combined with a signal word will alert you to potential hazards and how to avoid them.

	<b>Safety Alert</b> – Identifies safety information about hazards that can result in personal injury.	
	<b>Operator's Manual</b> – Read and understand before performing any activity or running equipment.	
	<b>Rotating auger</b>	
	<b>Rotating impeller</b>	 <b>Fire</b>
	<b>Toxic fumes</b>	 <b>Explosion</b>
	<b>Rotating gears</b>	 <b>Shock</b>
	<b>Thrown objects</b>	 <b>Hot Surface</b>
	<b>Keep a safe distance from the equipment.</b>	
	<b>Never reach into rotating parts.</b>	
	<b>Shut off engine and remove spark plug connector before performing maintenance or repair work.</b>	
	<b>Recommended ear protection for extended use.</b>	

# RULES FOR SAFE OPERATION

## Operating Symbols and their meanings

These symbols are used on your equipment and defined in your operating manual. It is important that you review and understand the meanings. Failure to understand the symbols might result in harm to you.

	Oil		Forward
	Fuel		Neutral
	On Off		Reverse
	Primer bulb		Ignition On
	Throttle		Ignition Off
	Choke off		Ignition Key
	Choke on		Push to engage electric start
	Stop		Electric Start
	Slow		Engine Start
	Fast		Engine Run
	Engage		Engine Off
	Traction		Heated Grips
	Auger Collector		
	Auger Clutch		
	Drive Clutch		
	Engage		
	Disengage		
<p>LEFT      RIGHT</p>		<p>UP      DOWN</p>	



## DANGER

Avoid death or serious injury from rotating auger.

Keep hands, feet and clothing away.

Unclogging discharge chute is a hazardous activity.

- Never attempt to clear auger of debris or clogged snow while equipment is engaged or engine is running. Clogged or blocked augers store energy and can rotate unexpectedly, **EVEN WITH ENGINE OFF.**
- Stop engine and disconnect spark plug wire when performing maintenance on equipment.
- Never leave the equipment unattended while engine is running. Always disengage the auger and traction controls, stop engine, and remove keys.
- Keep children, pets, and others out of the area during operation. Children are often attracted to the equipment. Be mindful of all persons present.
- Keep all loose clothing far away from front of snow thrower and auger. Scarves, mittens, dangling drawstrings, loose clothes and pants can quickly become caught in the rotating device and dismemberment will occur. Tie up long hair and remove jewelry.
- The snow thrower is intended to remove snow only. Do not use for purposes other than what is intended.
- Do not clear snow across the face of slopes. Exercise extreme caution when changing direction on slopes. Do not attempt to clear steep slopes.
- Do not use the snow thrower on surfaces above ground level such as roofs of residences, garages, porches or other such structures or buildings.



## DANGER

Discharge chute contains rotating impeller to throw snow. Never clear or unclog discharge chute with your hands, or while engine is running.

Fingers can quickly become caught and traumatic amputation or severe laceration can result.

- Unclogging the discharge chute is a hazardous activity. Clogged or blocked augers store energy and can rotate unexpectedly.
- Never place hands in or near discharge chute.
- With engine OFF, wait for all moving parts to cease movement, then with a stick, clear the chute. Even with engine off, parts may rotate and dismemberment can occur.
- Clogged snow can hide other obstructions in the chute and cause damage to the equipment, impeller or auger. Take precautions when restating the equipment after snow removal.

# RULES FOR SAFE OPERATION



## DANGER

Objects can be picked up by auger and thrown from chute. Never throw snow toward people or cars, and never allow anyone in front of the snow thrower.

- Be aware of your environment while operating equipment. Running over items such as, gravel, doormats, newspapers, toys, and rocks hidden under snow, can all be thrown from chute or jam in the auger.
- Always be aware of the direction the snow is being thrown. Nearby pedestrians, pets or property may be harmed by objects being thrown.
- Familiarize yourself with the area you plan to work. Mark off boundaries of walkways and driveways to prevent property damage from thrown objects.
- Take caution when snow throwing in unfamiliar areas. Stay alert for hidden hazards and traffic.
- After striking a foreign object, turn engine OFF, wait for moving parts to cease movement, and check immediately for damage. If damaged, repair before starting and operating snow thrower.
- With engine OFF, wait for moving parts to stop and always use a stick to clear discharge chute.
- If unit vibrates abnormally, turn engine OFF. Vibration is generally a warning of trouble. See an authorized dealer if necessary for repairs.



## WARNING

Rotating gears can contact or entangle hands, feet, hair, clothing, or accessories. Traumatic amputation or severe laceration can result.

- Always operate equipment with all guards in place.
- Keep hands and feet away from rotating gears.
- Tie up long hair and remove jewelry.
- Do not wear loose-fitting clothing, dangling drawstrings or items that could become caught.



## WARNING

Engines give off carbon monoxide, an odorless, colorless poison gas. Breathing carbon monoxide can cause nausea, fainting or death.

- Start and run engine outdoors.
- Do not start or run engine in enclosed area, even if doors or windows are open.



## WARNING

Running engines produce heat. Engine parts, especially muffler, become extremely hot.



Severe thermal burns can occur on contact.

Combustible debris, such as leaves, grass, brush, etc. can catch fire.

- Allow muffler, engine cylinder and fins to cool before touching.
- Remove accumulated combustibles from muffler area and cylinder area.
- Install and maintain in working order a spark arrester before using equipment on forest-covered, grass-covered, brush-covered unimproved land. The state of California requires this (Section 4442 of the California Public Resources Code). Other states may have similar laws. Federal laws apply on federal land.



## WARNING

Gasoline and its vapors are extremely flammable and explosive. Fire or explosion can cause severe burns or death.

### WHEN ADDING FUEL

- Turn engine OFF and let engine cool at least 2 minutes before removing gas cap.
- Fill fuel tank outdoors or in well-ventilated area.
- Do not overfill fuel tank.
- Keep gasoline away from sparks, open flames, pilot lights, heat, and other ignition sources.
- Check fuel lines, tank, cap, and fittings frequently for cracks or leaks. Replace if necessary.

### WHEN STARTING ENGINE

- Make sure spark plug, muffler, fuel cap and air cleaner are in place.
- Do not crank engine with spark plug removed.
- If fuel spills, wait until it evaporates before starting engine.
- If engine floods, set choke to OPEN/RUN position, place throttle in FAST and crank until engine starts.

### WHEN OPERATING EQUIPMENT

- Do not choke carburetor to stop engine.

### WHEN TRANSPORTING EQUIPMENT

- Transport with fuel tank EMPTY.

### WHEN STORING GASOLINE OR EQUIPMENT WITH FUEL IN TANK

- Store away from furnaces, stoves, water heaters or other appliances that have pilot light or other ignition source because they can ignite gasoline vapors.



## WARNING

Starting engine creates sparking. Sparking can ignite nearby flammable gases. Explosion and fire could result.

- If there is natural or LP gas leakage in area, do not start engine.
- Do not use pressurized starting fluids because vapors are flammable.



## WARNING

Unintentional sparking can result in fire or electric shock. Unintentional start-up can result in entanglement, traumatic amputation, or laceration.

### BEFORE PERFORMING ADJUSTMENTS OR REPAIRS

- Disconnect spark plug wire and keep it away from spark plug.

### WHEN TESTING FOR SPARK

- Use approved spark plug tester.
- Do not check for spark with spark plug removed.

# OWNER'S INFORMATION

DATE PURCHASED: \_\_\_\_\_  
MODEL NO: \_\_\_\_\_  
SERIAL NO: \_\_\_\_\_  
STORE WHERE PURCHASED: \_\_\_\_\_  
ADDRESS: \_\_\_\_\_  
CITY: \_\_\_\_\_ PROVINCE: \_\_\_\_\_  
TELEPHONE : \_\_\_\_\_

Record this information about your unit so that you will be able to provide it in case of loss or theft.

Horse Power	11.5 HP
Displacement	305 cc
Gasoline Capacity	3 quarts (2.8 litre)
Oil Capacity (5W30)	28 oz. (0.82 litres)
Spark Plug: (Gap .030 in.)	Champion RC12YC
Bore	3.120 in (79 mm)
Stroke	2.438 in (62 mm)
Armature Air Gap	0.010-0.014in (0.25-0.36 mm)
Tire Pressure	*
* See side of the tire for maximum inflation. Do not exceed the maximum pressure on the tire wall.	

## MAINTENANCE AGREEMENT

The Craftsman Warranty, plus a Maintenance Agreement, provide maximum value for Sears products. Contact your nearest Sears store for details.

## CUSTOMER RESPONSIBILITIES

Read and observe the safety rules.

Follow a regular schedule in maintaining, caring for and using your snow blower.

Follow the instructions under "Customer Responsibilities" and "Storage" sections of this owner's manual.

## WHEELED SNOW BLOWER

### LIMITED TWO (2) YEAR WARRANTY ON CRAFTSMAN SNOW BLOWER

For two (2) years from date of purchase, Sears Canada Inc. will repair or replace free of charge, at Sears option, parts which are defective as a result of material or workmanship.

#### COMMERCIAL OR RENTAL USE:

Warranty on snow blower will be 90 days from date of purchase if used for commercial or rental purposes.

#### THIS WARRANTY DOES NOT COVER:

1. Pre-delivery set-up.
2. Expendable items which become worn during normal use, such as belts, spark plugs, filter, shear pins as well as damages to the engine resulting from operating the snow blower with insufficient oil.
3. Tire replacement or repair caused by punctures from outside objects, such as nails, thorns, stumps or glass.
4. In home service.

Warranty service is available by returning the Craftsman snow blower to the nearest Sears Service Centre/Department in Canada. This warranty applies only while this product is in use in Canada.

This warranty is in addition to any statutory warranty and does NOT exclude or limit legal rights you may have but shall run concurrently with applicable provincial legislation. Furthermore, some provinces do not allow limitations on how long an implied warranty will last so the above limitations may not apply to you.

SEARS CANADA INC., TORONTO, ONTARIO M5B 2B8

---

# TABLE OF CONTENTS

---

<b>HAZARD SYMBOLS AND THE MEANINGS</b> .....	2	<b>OPERATING TIPS</b> .....	19
<b>OPERATING SYMBOLS AND THEIR MEANINGS</b> .....	3	<b>SERVICE RECOMMENDATIONS</b> .....	20
<b>OWNER'S INFORMATION</b> .....	5	<b>CUSTOMER RESPONSIBILITIES</b> .....	21
<b>ASSEMBLY</b> .....	7	<b>SNOW BLOWER</b> .....	21
<b>TOOLS REQUIRED FOR ASSEMBLY</b> .....	7	<b>LUBRICATION AT STORAGE</b> .....	21
<b>CONTENTS OF SHIPPING CARTON</b> .....	7	<b>LUBRICATION - EVERY 10 HOURS</b> .....	21
<b>PARTS BAGS CONTENTS:</b> .....	7	<b>LUBRICATION - EVERY 25 HOURS</b> .....	22
<b>UNPACKING</b> .....	8	<b>ENGINE</b> .....	23
<b>UPPER HANDLE AND CRANK ASSEMBLY</b> .....	9	<b>ADJUSTMENT/REPAIR</b> .....	24
<b>CHECK THE CABLES</b> .....	9	<b>AUGER HOUSING HEIGHT ADJUSTMENT</b> .....	24
<b>HOW TO SET THE LENGTH OF THE CABLES</b> .....	9	<b>TO ADJUST SCRAPER BAR</b> .....	24
<b>SPEED SELECT LEVER</b> .....	10	<b>TO ADJUST SKID HEIGHT</b> .....	24
<b>SNOW CHUTE ASSEMBLY</b> .....	11	<b>HOW TO REMOVE THE SNOW HOOD</b> .....	25
<b>OPERATION</b> .....	12	<b>BELT ADJUSTMENT</b> .....	26
<b>OPERATING CONTROLS</b> .....	12	<b>HOW TO REPLACE THE BELTS</b> .....	27
<b>SNOW BLOWER OPERATION</b> .....	13	<b>BELT GUIDE ADJUSTMENT</b> .....	30
<b>WHEEL LOCK OUT PIN</b> .....	14	<b>HOW TO CHECK AND ADJUST THE CABLES</b> .....	30
<b>BEFORE STARTING ENGINE</b> .....	15	<b>AUGER DRIVE CABLE ADJUSTMENT</b> .....	30
<b>CHECK THE OIL</b> .....	15	<b>TRACTION DRIVE CABLE ADJUSTMENT</b> .....	31
<b>FILL GAS</b> .....	15	<b>HOW TO ADJUST OR REPLACE</b> <b>THE FRICTION WHEEL</b> .....	32
<b>BEFORE STOPPING THE ENGINE</b> .....	16	<b>AUGER SHEAR BOLT REPLACEMENT</b> .....	35
<b>TO STOP ENGINE</b> .....	16	<b>STORAGE</b> .....	36
<b>TO START ENGINE</b> .....	16	<b>TROUBLE SHOOTING CHART</b> .....	37
<b>FROZEN STARTER</b> .....	18	<b>REPAIR PARTS</b> .....	38
<b>HOW TO CLEAR A CLOGGED DISCHARGE CHUTE</b> .....	18	<b>ORDER REPAIR PARTS</b> .....	67
<b>HOW TO USE THE CLEAN-OUT TOOL</b> .....	18		

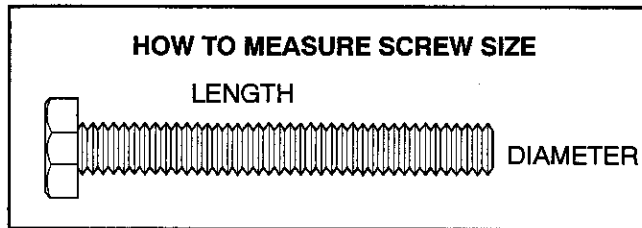
# ASSEMBLY

## TOOLS REQUIRED FOR ASSEMBLY

- 1 - Knife
- 2 - 1/2" wrenches (or adjustable wrenches)
- 2 - 9/16" wrenches (or adjustable wrenches)
- 2 - 3/4" wrenches (or adjustable wrenches)
- 1 - 3/8" wrenches (or adjustable wrenches)
- 1 - Pair pliers or screw driver (to spread cotter pin)

## CONTENTS OF SHIPPING CARTON

- 1- Snow Blower
- 1- Container of Fuel Stabilizer (Located in Parts Bag)
- 1- Snow Chute Assembly
- 1- Crank Assembly
- 1- Parts Bag

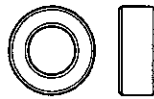


**WARNING:** Always wear safety glasses or eye shields while assembling snow blower.

## PARTS BAGS CONTENTS:



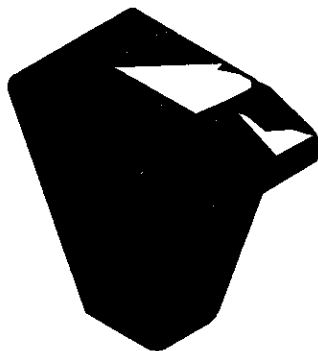
\* 2-1/4-20 x 1.75



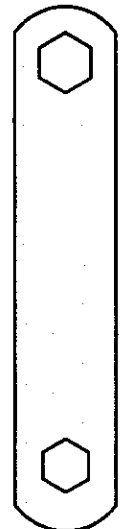
\* 2-Spacer



\* 2-1/4-20  
Hex nut



2- Shifter Knobs



\* 2 - Wrenches

\*Non Assembly parts are found in toolbox located on top of belt cover.

# ASSEMBLY

Figure 1 shows the snow blower in the shipping position.

Figure 2 shows the snow blower completely assembled.

Reference to right and left hand side of the snow blower is from the operator's position at the handle.

## UNPACKING

1. Locate the two tear tabs at the bottom of the carton.
2. Pull the tear tape no more than twelve inches (30.48cm.) at a time. Re-grasp tape next to the carton and pull again. Repeat until all the tape is torn off.
3. After the tape has been completely removed from the carton, remove the carton from the base. Cut all four corners and fold the sides toward the center for easy disposal.
4. Remove the plastic bag that covers the unit.
5. Locate and remove the parts bag.

**NOTE: Set the fuel stabilizer aside until adding gasoline to the fuel tank. We recommend that fuel stabilizer is added to the fuel each time that gasoline is added to the fuel tank.**

6. For shipping purposes, the height adjust skids are attached to the pallet. Remove the screw that secures each height adjust skid to the pallet. (See Figure 2).
7. Roll the snow blower off the carton by pulling on the lower handle.

**CAUTION: DO NOT back over cables.**

8. Remove the packing material from the handle assembly.
9. Cut ties securing the clutch control cables to the lower handle.

**NOTE: If the cables have become disconnected from the clutch levers, reinstall the cables as shown in Figure 3.**

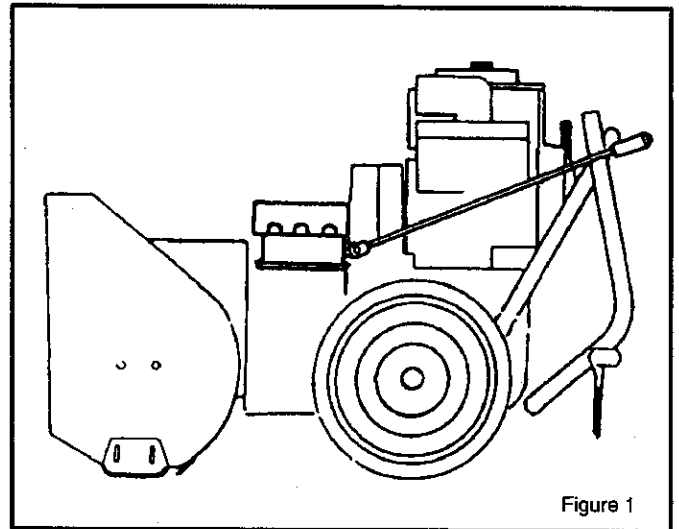


Figure 1

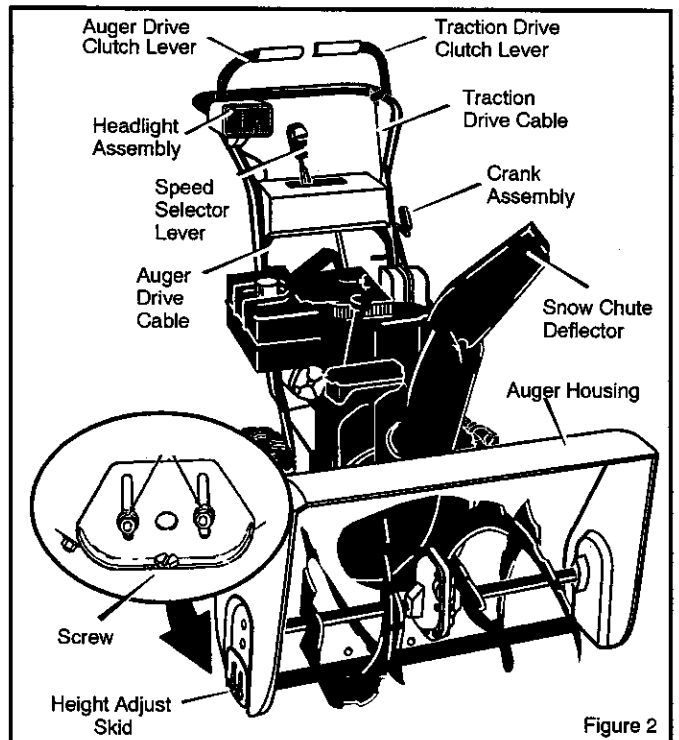


Figure 2

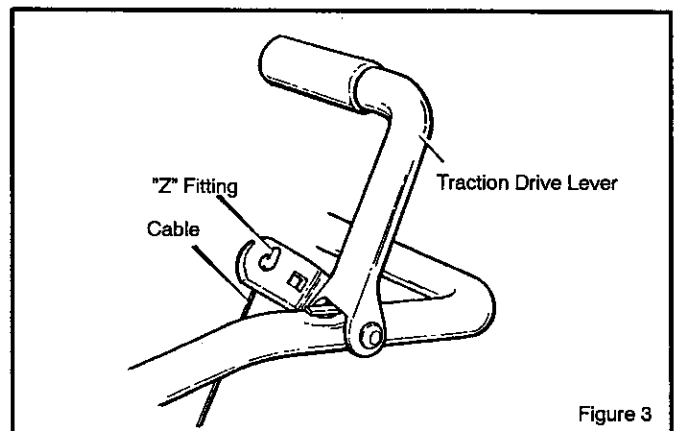


Figure 3



# ASSEMBLY

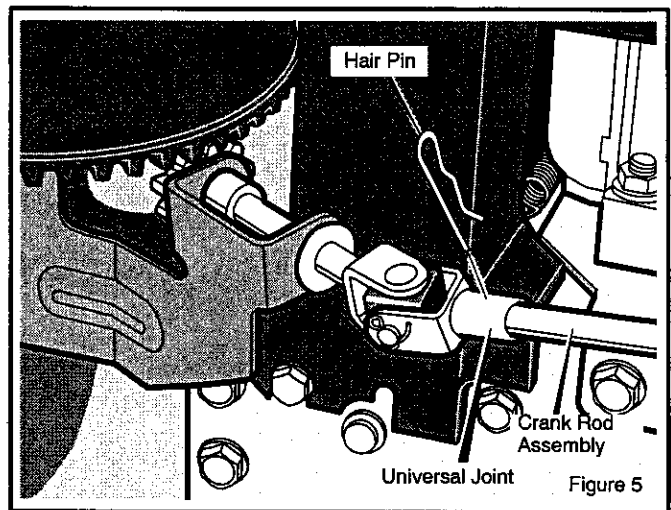
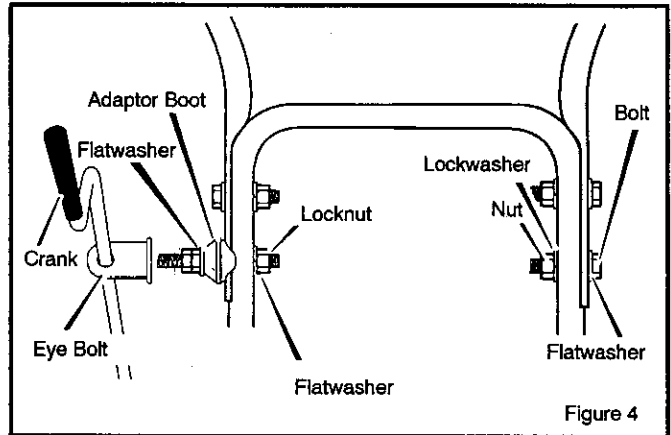
## UPPER HANDLE AND CRANK ASSEMBLY

1. Loosen, but do not remove the screws, flatwashers, lockwashers and hex nuts in the upper holes of the lower handle.
2. Remove the fasteners and the crank assembly eyebolt from the lower holes of the lower handle.
3. Raise upper handle into operating position. Upper handle should be to the outside of the lower handle.

**NOTE:** Make sure the cables are not caught between the upper and lower handle.

4. Install the fasteners and the crank assembly eyebolt that were removed in step 2. DO NOT tighten until all fasteners are in place.
5. Attach the crank rod to the universal joint assembly with the hair pin (see Figure 5).
6. Tighten nut on eye bolt. Make sure eye bolt is properly aligned and the crank can freely rotate.
7. Tighten all handle bolts.

**NOTE:** Make sure crank does not touch carburetor cover.

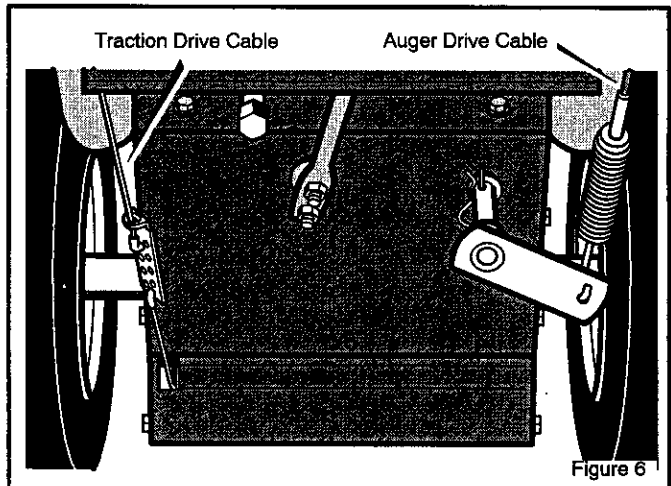


## CHECK THE CABLES

1. If control cables have become unattached from motor mount frame, reconnect cables as shown in Figure 6.
2. For cable adjustments, see "How To Check And Adjust The Cables" in the ADJUSTMENT/REPAIR section.

## HOW TO SET THE LENGTH OF THE CABLES

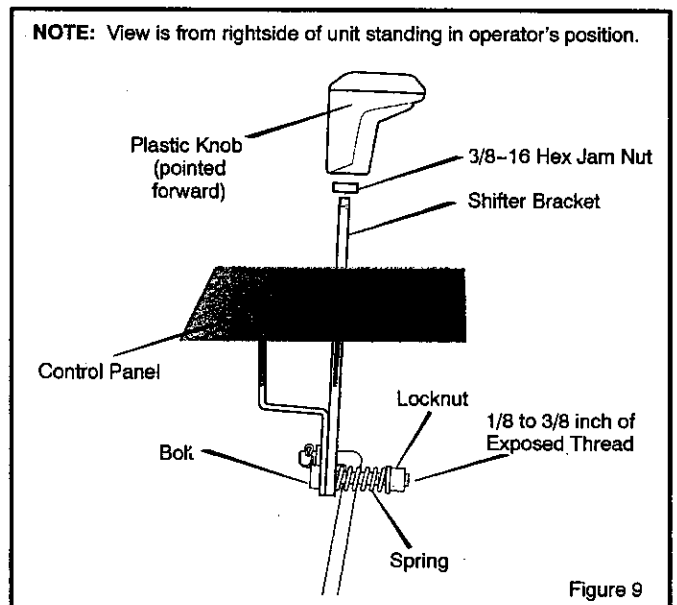
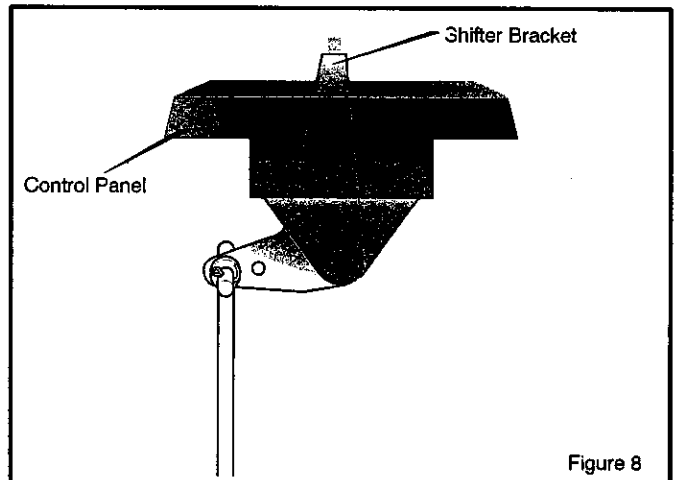
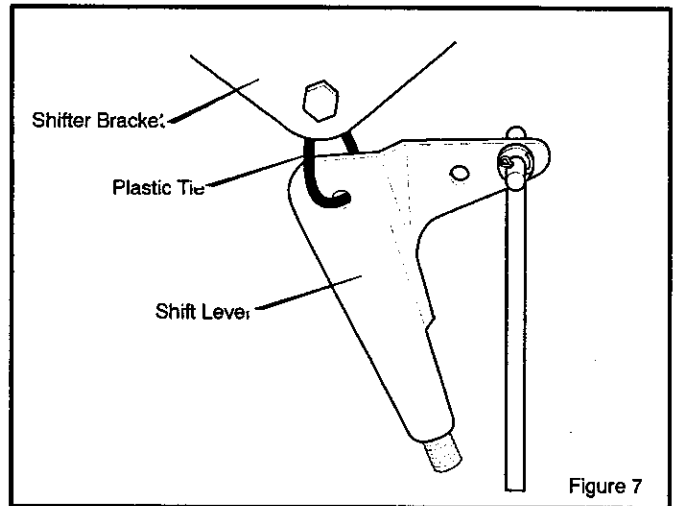
The cables were adjusted at the factory and no adjustments should be necessary. However, after the handles are put in the operating position, the cables can be too tight or too loose. If an adjustment is necessary, see "How To Check And Adjust The Cables" in the Service And Adjustment section.



# ASSEMBLY

## SPEED SELECT LEVER

1. Cut plastic tie securing speed select lever assembly to the shifter bracket. (See Figure 7)
2. Remove locknut, washer, spring, and the bolt. (See Figure 9)
3. Position speed selector lever assembly as shown in Figure 8.
4. Reinstall bolt, spring, washer and locknut. (See Figure 9)
5. Tighten locknut until 1/8 to 3/16 inch of the bolt threads protrude past the locknut.
6. Thread the 3/8-16" hex jam nut onto the lever until the nut reaches the end of the thread. (See Figure 9)
7. Thread the plastic knob as far as possible and ensure that the knob points forward.
8. Tighten the 3/8-16" hex jam nut against the knob securely.
9. Move shifter through all speeds to ensure proper tension of the spring. If shifter lever sticks in any of the notches, loosen locknut 1/2 turn at a time until shifter lever moves more freely.

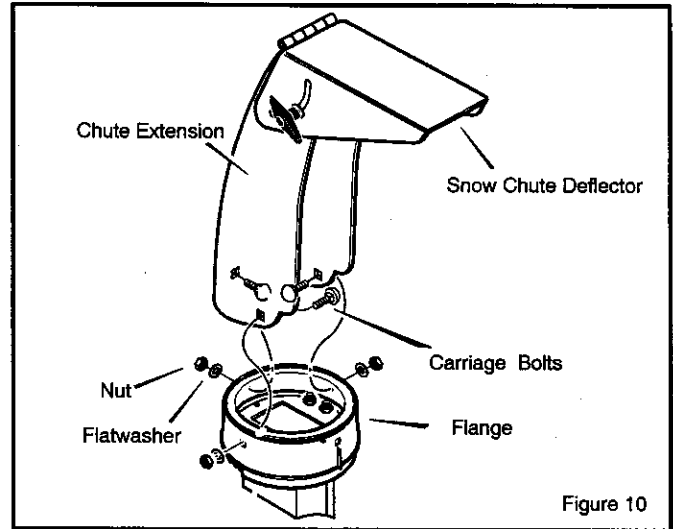


# ASSEMBLY

## SNOW CHUTE ASSEMBLY

1. Position the snow chute onto the snow chute flange. Align the three holes in the snow chute with holes in snow chute flange. (See Figure 10)
2. Place three 5/16-18 carriage bolts from inside of chute as shown in Figure 10. (hardware is found in parts bag)
3. Place three 5/16-18 flatwashers and three 5/16-18 nuts on outside of flange.
4. Tighten all carriage bolts securely.

**NOTE: DO NOT overtighten carriage bolts.**



## CHECK THE TIRES

The tires were over inflated for shipment. Check the tire pressure in the tires. See the sidewall of the tire for the proper inflation.

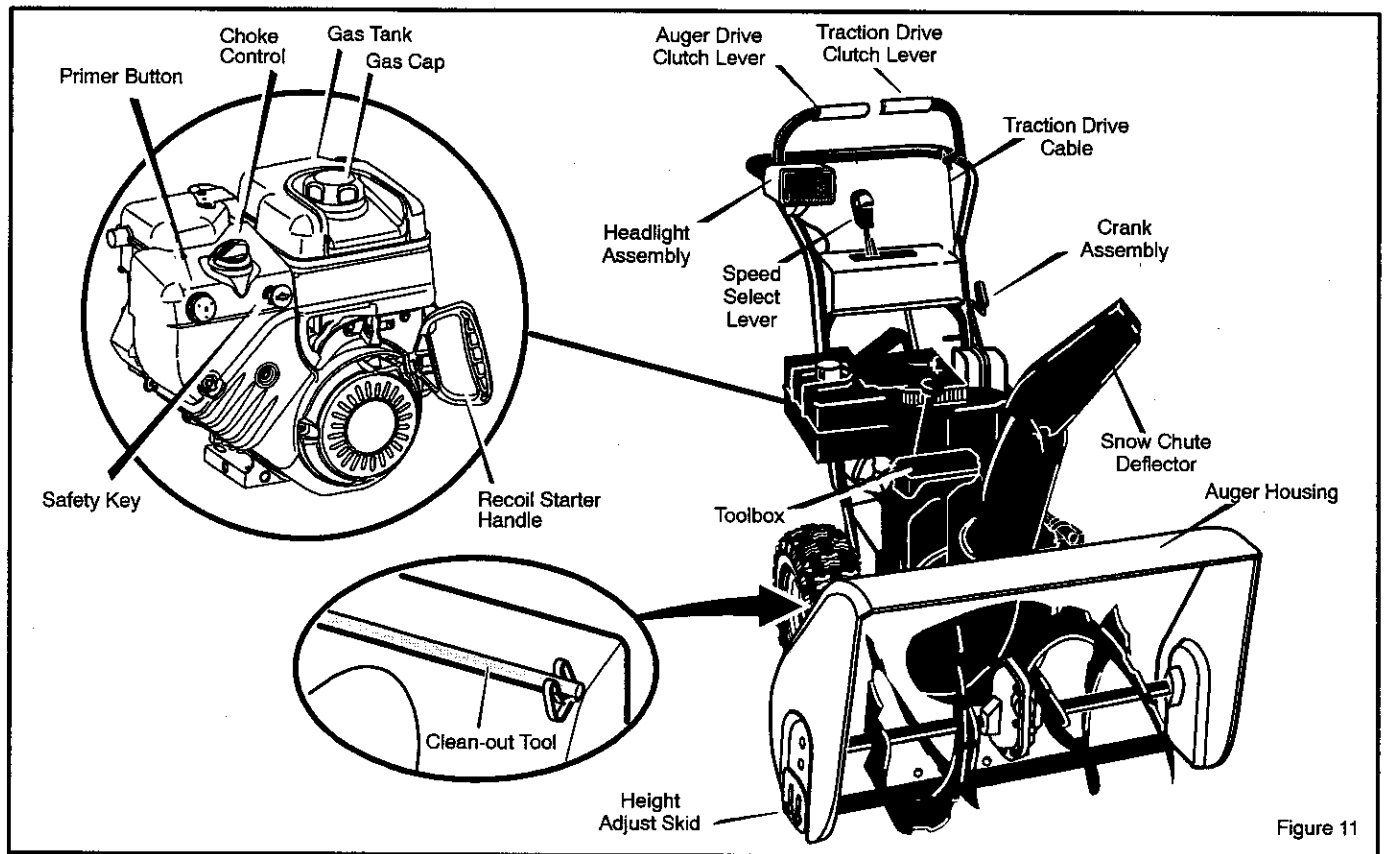
## IMPORTANT! BEFORE YOU START OPERATING

- Check the fasteners. Make sure all fasteners are tight.
- On electric start models, the unit was shipped with the starter cord plugged into the engine. Before operating, unplug the starter cord from the engine.

**NOTE: This snow blower was shipped WITH OIL in the engine. See "Before Starting Engine" instructions in the Operation section of this manual before starting engine.**

# OPERATION

Get to know your snow blower and its controls. Be sure you (or any other operator) have read and understood the Operation Precautions listed on page 2 of this manual.



## ENGINE AND SNOW BLOWER OPERATING CONTROLS

The engine operating controls and their functions are as follows:

**Choke Control**– Set choke control to ON CHOKE position to start a cold engine.

**Electric Start Button**– Used to start the engine using the 120 volt electric starter.

**Prime Button**– Used to inject fuel directly into carburetor manifold to insure fast starts in cool weather.

**Safety Key**– Must be inserted into ignition key slot to start engine. Pull out to stop. Do not turn safety key.

**Starter Handle**– Starts the engine manually.

The snow blower operating controls and their functions are as follows:

**Speed Select Lever**– Allows the operator to use one of six (6) forward and two (2) reverse speeds. To shift, move speed select lever to desired position.

**NOTE:** Do not move speed select lever while Traction Drive Clutch is engaged. This may result in severe damage to drive system.

**Auger Drive Clutch Lever**– Used to engage and disengage the auger and impeller. To engage push down, to disengage release.

**Traction Drive Clutch Lever**– Used to propel snow blower forward or reverse. Push down to engage, release to disengage.

**Snow Chute Deflector**– Changes the direction the snow is blown.

**Crank**– Used to change direction of the snow discharge. Turn handle clockwise to turn chute to right. Turn handle counter clockwise to turn chute to left.

**Height Adjust Skid**– Used to adjust ground clearance of auger housing (see To Adjust Skid Height in the Adjustment/Repair section of this manual).

**Toolbox** – Spare shear pins, shear bolt wrenches and spacers are located in toolbox.

**Clean-Out Tool** – Use the clean-out tool to remove snow and debris from the discharge chute and the auger housing.

# OPERATION



The operation of any snow blower can result in foreign objects being thrown into the eyes, which can result in severe eye damage. Always wear safety glasses or eye shields before beginning snow blower operation. We recommend standard safety glasses or Wide Vision Safety Mask for over spectacles.

## SNOW BLOWER OPERATION

The most effective use of the snow blower will be established by experience, taking into consideration the terrain, wind conditions and building location which will determine the direction of the discharge chute.

**NOTE: Do not blow snow towards a building as hidden objects could be blown with sufficient force to cause damage.**

1. Start the engine as described in section "To Start Engine" (see Figure 13).
2. Adjust snow chute deflector. Loosen wing nut on the side of the snow chute and raise chute deflector for more distance. Tighten wing nut. (see Figure 12).
3. Using crank, position the discharge chute to discharge snow with the wind.
4. Select proper speed for snow conditions as outlined below and set speed select lever to desired position.

**NOTE: Always release traction drive clutch lever before moving speed select lever.**

Ground speed is determined by snow conditions. Select the speed you desire by moving the speed selector into the appropriate colored area on the control panel.

- |     |                                |
|-----|--------------------------------|
| 1-2 | Wet, Heavy, Slushy, Extra Deep |
| 3   | Moderate                       |
| 4-5 | Very Light                     |
| 6   | Transport Only                 |

**NOTE: When clearing wet, heavy snow, it is recommended that the ground speed of the unit be reduced and do not attempt to clear the full width of the unit.**

For additional operating instructions see "Operating Tips" in this section of the manual.

5. Engage auger drive clutch lever (right hand - Figure 13).

**IMPORTANT: Be sure front of unit is clear of bystanders or obstacles before operating.**

6. Engage traction drive clutch lever (left hand - Figure 13). As the snow blower starts to move, maintain a firm hold on the handles and guide the snow blower along the cutting path. Do not attempt to push the snow blower.



**WARNING: Read Owner's Manual before operating machine. This machine can be dangerous if used carelessly.**

**Never operate the snow blower without all guards, covers, and shields in place.**

**Never direct discharge towards windows or allow bystanders near machine while engine is running.**

**Stop the engine whenever leaving the operating position.**

**Disconnect spark plug before unclogging the impeller housing or the discharge chute and before making repairs or adjustments.**

**When leaving the machine, remove the safety key.**

**To reduce the risk of fire, keep the machine clean and free from spilled gas, oil and debris.**

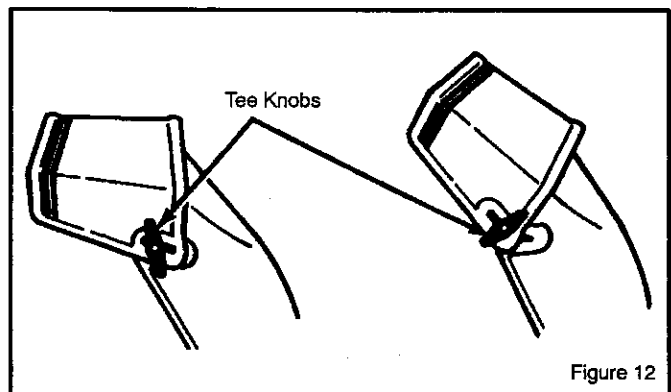


Figure 12

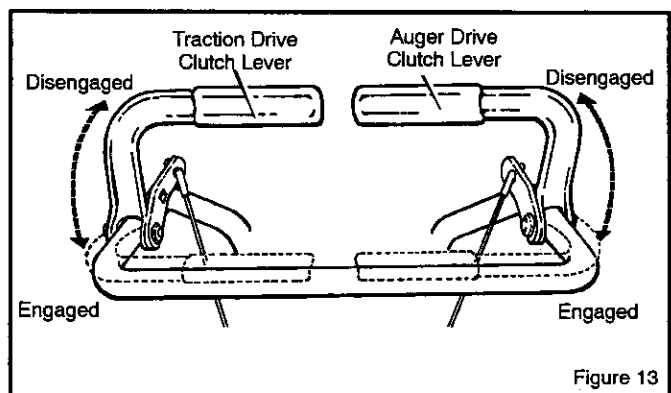


Figure 13

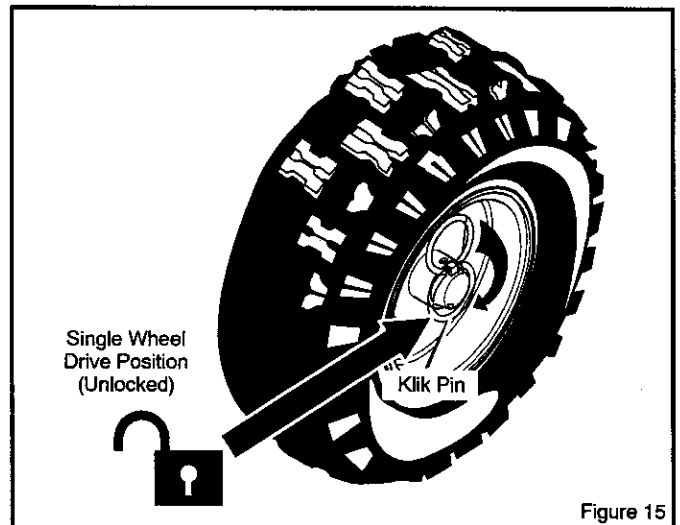
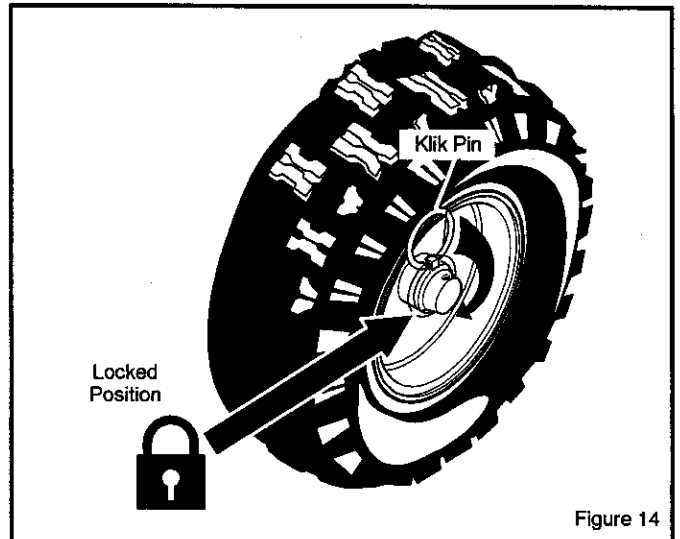
7. To stop forward motion, release traction drive clutch lever (left hand - Figure 13).
8. To stop auger, release auger drive clutch lever (right hand - Figure 13).
9. To move the snow blower backwards, move speed select lever into first or second reverse and engage traction drive clutch lever (left hand). To stop, release traction drive clutch lever.

# OPERATION

## WHEEL LOCK OUT PIN

1. The right wheel is secured to the axle with a klik pin. This unit was shipped with this klik pin in the locked position. (Figure 14).
2. For ease of maneuverability when lighter conditions prevail, remove klik pin from wheel locked position and insert into single wheel drive (unlocked) position (Figure 15). Make sure that the klik pin is in the single wheel drive position of the axle only and not through the locked position.

**NOTE: Check tire pressure (24 pounds). See side of tire for maximum inflation. Do not exceed listed maximum pressure.**



# OPERATION

## BEFORE STARTING ENGINE

### Check the oil

**NOTE:** The engine was shipped from the factory filled with oil. Check the level of the oil. Add oil as needed.

1. Make sure the unit is level. Use a high quality detergent oil classified "For Service SG, SH, SJ, SL, or higher".
2. Remove the oil fill cap/dipstick and wipe with a clean cloth (see Figure 16).
3. Insert the oil fill cap/dipstick and turn clockwise to tighten.
4. Remove the oil fill cap/dipstick and check the oil.

**NOTE:** Do not check the level of the oil while the engine runs.

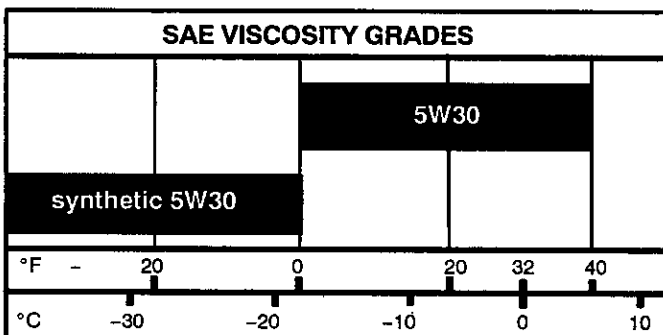
5. If necessary, add oil until the oil reaches the FULL mark on the oil fill/cap dipstick (see Figure 16). Do not add too much oil.
6. Tighten the fill cap/dipstick securely each time you check the oil level.

**NOTE:** For extreme cold operating conditions of 0°F (-18° C) and below, use a synthetic 5W30 motor oil for easier starting.

**NOTE:** S.A.E. 5W30 motor oil may be used to make starting easier in areas where the temperature is 20° F (-7° C) to 0° F (-18° C). Synthetic 5W30 is acceptable for all temperatures. DO NOT mix oil with gasoline.

**NOTE:** SEE CHART FOR OIL RECOMMENDATION

TEMPERATURE	TYPE OF OIL
0° F (-18° C) and above	S.A.E. 5W30
0° F (-18° C) and below	synthetic 5W30



### FILL GAS

This engine is certified to operate on gasoline. Exhaust Emission Control System: EM (Engine Modifications)

1. Fill the fuel tank with fresh, clean, unleaded regular, unleaded premium, or reformulated automotive gasoline with a minimum of 85 octane along with a fuel stabilizer (follow instructions on fuel stabilizer package). **DO NOT** use leaded gasoline. We recommend that fuel stabilizer be added to the fuel each time that gasoline is added to the fuel tank.

**NOTE:** Winter grade gasoline has higher volatility to improve starting. Be certain container is clean and free from rust or other foreign particles. Never use gasoline that may be stale from long periods of storage in the container.

**CAUTION:** DO NOT use gasoline containing any amount of alcohol as it can cause serious damage to the engine or significantly reduce the performance.



**WARNING:** Gasoline is flammable. Always use caution when handling or storing gasoline. Turn engine off and let engine cool at least two minutes before removing the gas cap. Do not add gasoline to the fuel tank while snow blower is running, hot, or when snow blower is in an enclosed area. Keep away from open flame, electrical sparks and **DO NOT SMOKE** while filling the fuel tank. Never fill the fuel tank completely; but fill the fuel tank to within 1-1/2 inch (3.8 mm) from the top to provide space for the expansion of the fuel. Always fill fuel tank outdoors and use a funnel or spout to prevent spilling. Make sure to wipe up any spilled fuel before starting the engine.

Store gasoline in a clean, approved container, and keep the cap in place on the container. Keep gasoline in a cool well ventilated place; never in the house. Never buy more than a 30 day supply of gasoline to assure volatility. Gasoline is intended to be used as a fuel for internal combustion engines; therefore, do not use gasoline for any other purpose. Since many children like the smell of gasoline, keep it out of their reach because the fumes are dangerous to inhale, as well as being explosive.

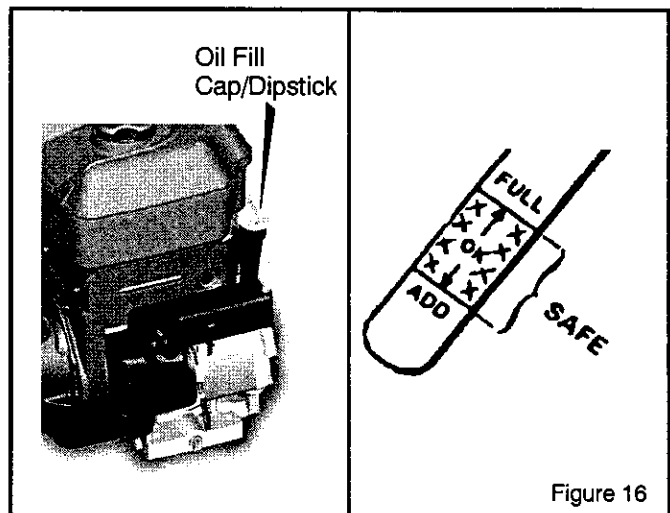


Figure 16

# OPERATION

## BEFORE STOPPING THE ENGINE

Run the engine for a few minutes to help dry off any moisture on the engine.

## TO STOP ENGINE

**CAUTION:** To stop the engine, do not move the choke control to CHOKE position. Backfire or engine damage can occur.

1. Push the **stop switch** to the OFF position.

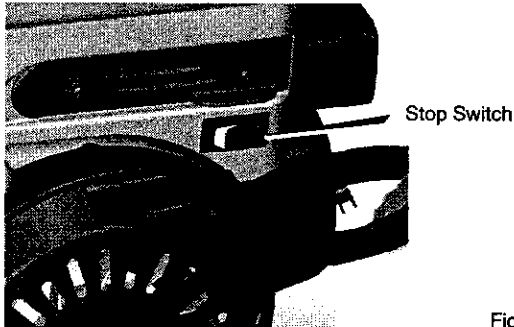


Figure 17

2. Pull out the **safety key**.

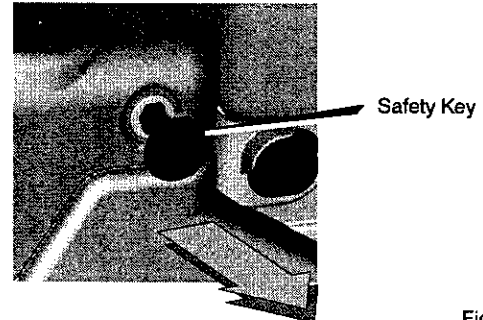


Figure 18

## TO START ENGINE

Be sure that engine oil is at FULL mark on the oil fill cap/dipstick. The snow thrower engine is equipped with a 120 volt A.C. electric starter and recoil starter. Before starting the engine, be certain that you have read the following information.

If engine floods, set the choke to the OPEN/RUN position and crank until the engine starts.

**WARNING:** Rapid retraction of the starter cord (kickback) will pull your hand or arm toward the engine faster than you can let go of the starter cord.

- When starting the engine, slowly pull the starter cord until resistance is felt. Then, rapidly pull the starter cord.
- Make sure components; such as impellers, pulleys or sprockets, are securely attached.



**WARNING:** The electric starter is equipped with a three-wire power cord and plug designed to operate on 120 volt AC house hold current. The power cord must be properly grounded at all times to avoid the possibility of electric shock which can cause injury to the operator. Follow all instructions carefully as set forth below:

Make sure your house has a three-wire grounded system. If you are not sure, ask a licensed electrician. If your house does not have a three-wire grounded system, do not use this electric starter under any condition.

If your house has a three-wire grounded system but a three hole receptacle is not available to connect the electric starter, have a three-hole receptacle installed by a licensed electrician.



**WARNING:** To connect a 120 volt power cord, always connect the power cord first to the switch box located on the engine and then plug the other end into a three-hole grounded receptacle.



**WARNING:** To disconnect the power cord, always unplug the end connected to the three-hole grounded receptacle first.



# OPERATION

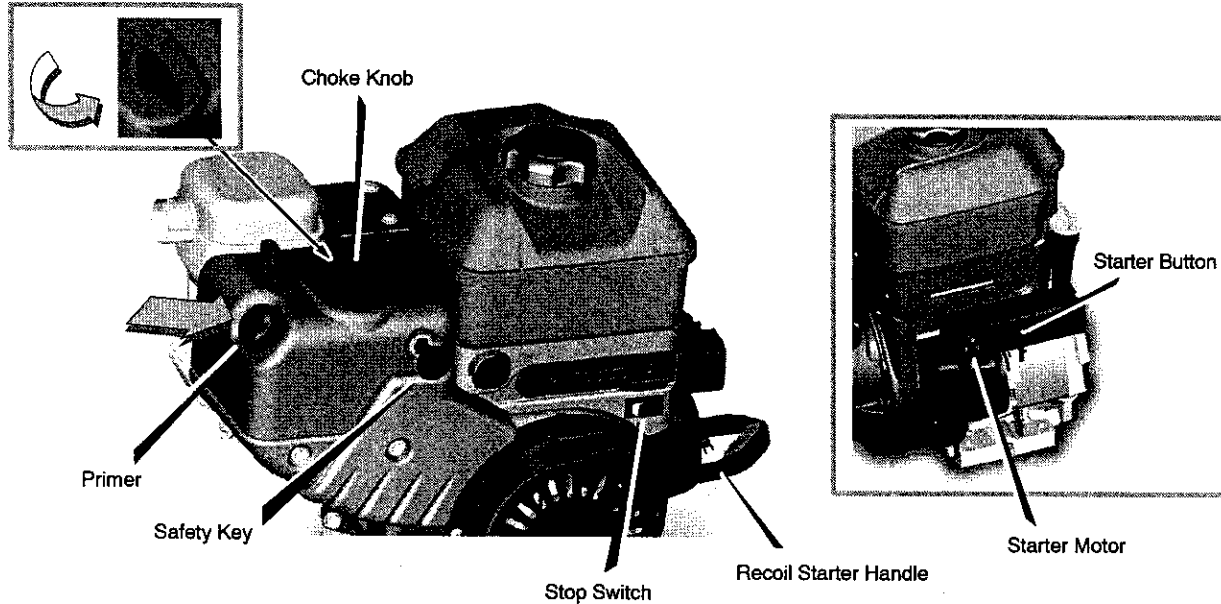


Figure 19

## How To Start A Cold Engine

1. Be sure auger drive and traction drive levers are in the disengaged (**RELEASED**) position.
2. Push the **stop switch** to the ON position (see Figure 19).
3. Push in the **safety key**.
4. Rotate the **choke knob** to the CHOKE position.
5. **(Electric Start)** Plug the power cord into the **starter motor** on the engine. Plug the other end of power cord into a three-hole, grounded 120 VOLT, AC receptacle.
6. Push the **primer button** as specified below. Remove finger from primer button between pushes.
  - Push two times if temperature is 15° F (-9° C) or higher.
  - Push four times if temperature is below 15° F (-9° C).
7. **(Electric Start)** Connect the power cord to the engine and depress the starter button. To prolong the life of the starter, do not crank for more than 5 seconds at a time. Wait one minute between starts to allow the starter motor to cool.
8. **(Recoil Start)** Slowly pull the **recoil starter handle** until resistance is felt and then pull rapidly to start the engine. Do not allow the **recoil starter handle** to snap back. Slowly return the **recoil starter handle**.
9. If the engine does not start in 5 or 6 tries, See Difficult Starting in the "Troubleshooting Table".
10. Allow the engine to warm up for several minutes. As the engine warms up, adjust the **choke knob** toward the RUN position. Wait until the engine runs smoothly before each choke adjustment.
11. **(Electric Start)** First disconnect power cord from receptacle. Then, disconnect the power cord from the **switch box**.

If after following the preceding instructions, your engine fails to start, have the engine checked by an Authorized Sears Service Outlet.

**NOTE: Do not lose the safety/ignition key. Keep the safety/ignition key in a safe place. The engine will not start without the safety/ignition key.**

## How To Start A Warm Engine

If restarting a warm engine after a short shutdown, leave the choke lever in the off position and do not push the primer button. If the engine fails to start, follow the Cold Start instructions.

# OPERATION

## FROZEN STARTER

If the starter is frozen and will not turn engine:

1. Pull as much rope out of the starter as possible.
2. Release the starter handle and let it snap back against the starter. Repeat until the engine starts.

Warm engines will cause condensation in cold weather. To help prevent possible freeze-up of recoil starter and engine controls, proceed as follows after each snow removal job.

1. With engine off, allow engine to cool for several minutes.
2. Pull starter rope very slowly until resistance is felt, then stop. Allow the starter rope to recoil. Repeat three times.
3. With the engine not running, wipe all snow and moisture from the carburetor cover in area of control levers. Also move choke knob and starter handle several times.



**WARNING:** Never run engine indoors or in enclosed, poorly ventilated areas. Engine exhaust contains **CARBON MONOXIDE, AN ODORLESS AND DEADLY GAS**. Keep hands, feet, hair and loose clothing away from any moving parts on engine and snow thrower.

- Engine parts, especially the muffler, become extremely hot. Severe thermal burns can occur on contact. Allow the engine to cool before touching.
- Never allow children to operate the snow thrower. Never allow adults to operate the snow blower without proper instruction.
- Keep the area of operation clear of all persons, particularly small children and pets.
- Never leave the snow blower unattended while the engine is running. Anyone operating the engine or equipment must carefully read and understand the operating instructions.

**IMPORTANT:** After each use of the snow blower, stop the engine, remove the safety/ignition key, remove all accumulated snow from the snow blower and wipe clean. Store the snow blower in a protected area.

**NOTE:** Never cover snow blower while engine and exhaust area are still warm.

## HOW TO CLEAR A CLOGGED DISCHARGE CHUTE



**WARNING:** Hand contact with the rotating impeller inside the discharge chute is the most common cause of injury associated with snow blowers. **NEVER USE YOUR HAND TO CLEAN OUT THE DISCHARGE CHUTE.**

**To Clear The Chute:**

- **SHUT OFF THE ENGINE!**
- Wait 10 seconds to be sure that the impeller blades have stopped rotating.
- Always use a clean-out tool, not your hands.

A clean-out tool is attached to either the handle or the top of the auger housing (see Figure 20). Use the clean-out tool to remove snow from the auger housing.

### How To Use The Clean-Out Tool

- Release the auger drive lever.
- Pull out the safety key.
- Disconnect spark plug wire.
- Do not place your hands in the auger or discharge chute. Use a clean-out tool to remove snow or debris.



**WARNING:** Blockage must be cleared only after shutting off the snow blower and only with a clean-out tool, not by hand.

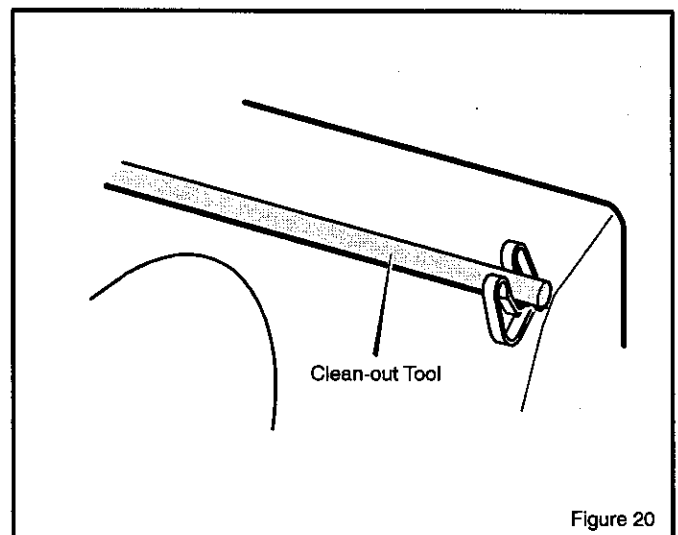


Figure 20

---

# OPERATION

---

## OPERATING TIPS

1. Most efficient snowblowing is accomplished when snow is removed immediately after it falls.
2. For complete snow removal, slightly overlap each swath previously taken.
3. Snow should be discharged downwind whenever possible.
4. For normal usage, set the skids one-eighth inch (3 mm) below the scraper bar. For extremely hard-packed snow surfaces, the skids may be adjusted upward to insure cleaning efficiency.
5. On gravel or crushed rock surfaces, the skids should be set at 1-1/4 inch (32 mm) below the scraper bar (see To Adjust Skid Height, in the Adjustment/Repair section in this manual). Rocks and gravel must not be picked up and thrown by the machine.
6. After the snowblowing job has been completed, allow the engine to idle for a few minutes, to melt snow and ice accumulated on the engine.
7. Clean the snow thrower thoroughly after each use.
8. Remove ice and snow accumulation and all debris from the entire snow thrower, and flush with water (if possible) to remove all salt or other chemicals. Wipe snow thrower dry.
9. Before starting snow blower, always inspect augers and impeller for ice accumulation and/or debris, which could result in snow blower damage.
10. Check oil level before every start. Make sure the oil is at the FULL mark on the oil fill cap/dipstick.

# SERVICE RECOMMENDATIONS

SERVICE RECOMMENDATIONS										
	PROCEDURE	FIRST 2 HOUR	BEFORE EACH USE	EVERY 8 HOURS	EVERY 10 HOURS	EVERY 25 HOURS	EVERY 50 HOURS	EVERY 100 HOURS	BEGINNING EACH SEASON	BEFORE STORAGE
S N O W B L O W E R	Tighten all screws and nuts	√			√				√	
	Check Traction Clutch Cable Adjustment (See Cable Adjustment)	√							√	
	Check Auger clutch Cable Adjustment (See Cable Adjustment)	√							√	
	Adjust Drive Belts	√				√			√	
	Lubricate Chains and Hex Shaft								√	√
	Lubricate Auger Shaft (See Shear Bolt Replacement)				√					√
E N G I N E	Oil, Check		√	√					√	
	Oil, Change	√					√		√	
	Check and Clean Spark Plug	√				√				
	Replace Spark Plug							√		
	Clean and Inspect Spark Arrestor						√			

The warranty on this snow blower does not cover items that have been subjected to operator abuse or negligence. To receive full value from the warranty, operator must maintain snow blower as instructed in this manual. The following **Service Recommendations** is supplied to assist operator to properly maintain snow blower. This is a check list only. Adjustment referred to will be found in Adjustments/Repairs section of this manual.

Maintenance, replacement, or repair of the emission control devices and systems can be performed by any non-road engine repair establishment or individual. Regular maintenance will improve the performance and extend the life of the engine.

## AFTER EACH USE

1. Check for any loose or damaged parts.
2. Tighten any loose fasteners.
3. Check and maintain the auger.
4. After each use, remove all snow and slush off the snow blower to prevent freezing of auger or controls.
5. Check controls to make sure they are functioning properly.
6. If any parts are worn or damaged, replace immediately.

# CUSTOMER RESPONSIBILITIES

Some adjustments will need to be made periodically to properly maintain your snow blower.

All adjustments in ADJUSTMENTS/REPAIRS section of this manual should be checked at least once each season.

## SNOW BLOWER

The following adjustment should be performed more than once each season.

**Auger and Traction Drive Belts** should be adjusted after the first 2 to 4 hours of use, again about mid-season and twice each season thereafter (See To Adjust Belts paragraph in the Adjustment/Repair section).

## AS REQUIRED

### Auger Gear Box

The auger gear box is lubricated at the factory and should not require additional lubrication.

If for some reason the lubricant should leak out, or if the auger gear box has been serviced, add Lubriplate GR132 Grease or equivalent. Maximum 3-1/4 ounces, (92 grams) should be used.

Remove filler plug D (Figure 21 and Figure 22), once a year. If grease is visible, do not add. If grease is not visible, use a piece of fine wire, like a dipstick to check if there is grease in the gear box. Mobilux EP1 and Shell Aldania EP1 are suitable equivalents.

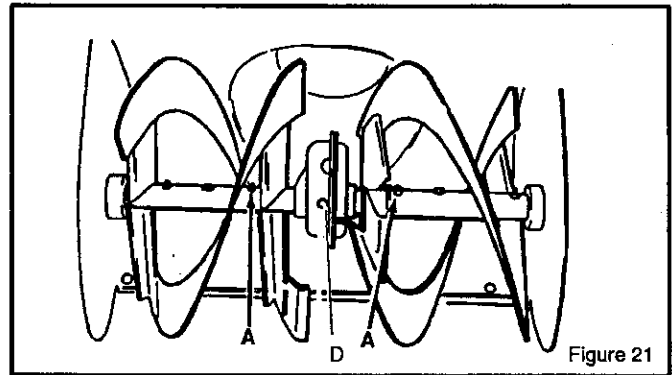


Figure 21

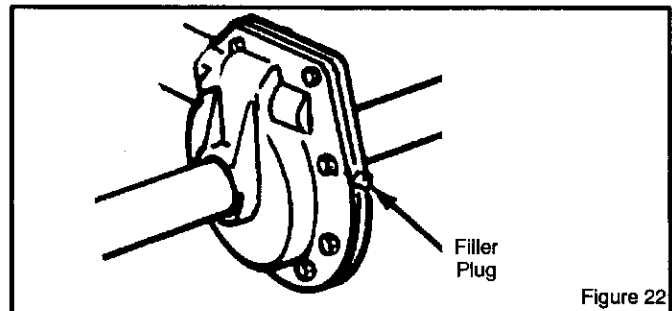


Figure 22

## LUBRICATION AT STORAGE

### Bearings and bushings

All bearings and bushings are lifetime lubricated and require no maintenance.

### Hex shaft and chains

For storage, the hex shaft should be wiped with a cloth lightly moistened with motor oil to prevent rusting (see Figure 24).

For storage, the chains should be lubricated with a chain type lube. (see Figure 24).

**NOTE: Any greasing or oiling of the above mentioned components can cause contamination of the rubber friction wheel. If the disc drive plate or friction wheel come in contact with grease or oil damage to rubber friction wheel will result .**

If grease or oil comes into contact with the disc drive plate or friction wheel, make sure to clean plate and wheel thoroughly with an alcohol base solvent.

## LUBRICATION – EVERY 10 HOURS

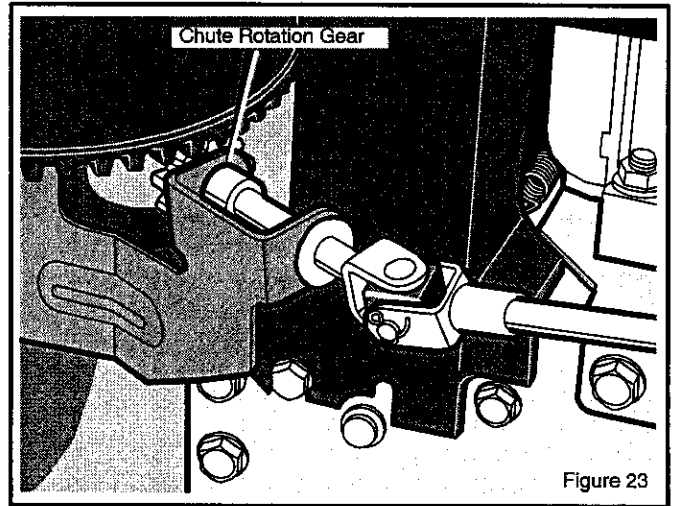
1. **Auger Shaft** – Using a hand grease gun, lubricate the auger shaft zerk fittings (A) every ten (10) operating hours. Each time a shear bolt is replaced, the auger shaft **MUST** be greased (Figure 21). (See To Replace Auger Shear Bolt in the Repair/Adjustment section).
2. For storage or when replacing shear bolts, remove shear bolts and lubricate auger shaft zerks. Rotate augers several times on the shaft and reinstall the shear bolts.

# CUSTOMER RESPONSIBILITIES

## LUBRICATION – EVERY 25 HOURS

### Chute Rotation Gear

Lubricate the chute rotation gear with automotive type oil. (see Figure 23).



### Chains

1. Position speed selector lever in first (1) forward gear.
2. Stand the snow blower up on the auger housing end.

**NOTE:** When the crank case is filled with oil, do not leave the snow blower standing up on the auger housing for an extended period of time.

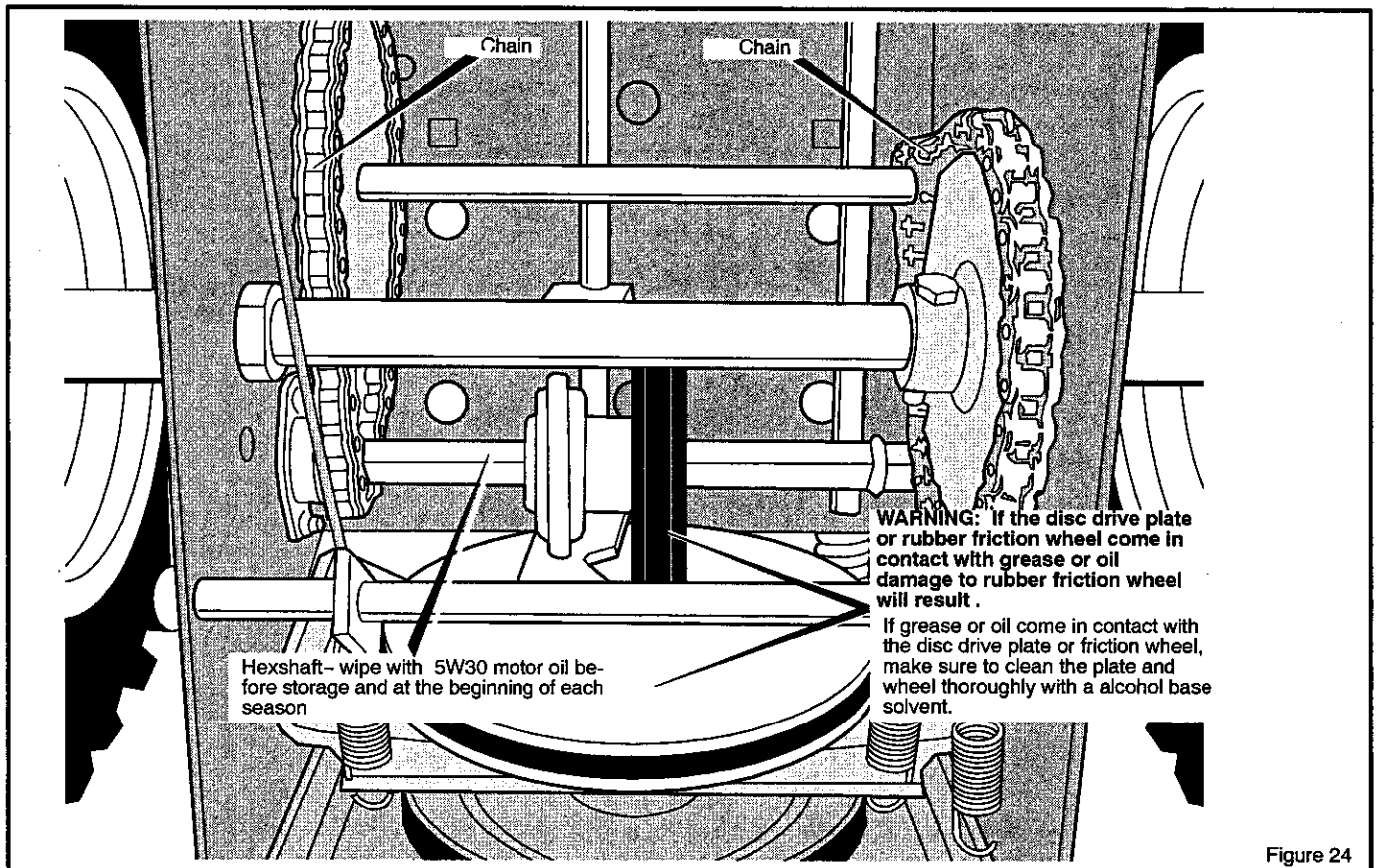
3. Remove the bottom panel.

4. Lubricate the chains with a chain type lubricant.
5. Wipe the hexshaft and sprockets with 5W30 motor oil.

**NOTE:** Clean all excess grease or oil found on the rubber friction wheel or the disc drive plate.

**CAUTION:** Do not allow grease or oil to contact the rubber friction wheel or the disc drive plate.

6. Install the bottom panel.



# CUSTOMER RESPONSIBILITIES

## ENGINE

### POWER RATINGS

The power ratings for an individual engine model are initially developed by starting with SAE (Society of Automotive Engineers) code J1940 (Small Engine Power & Torque Rating Procedure) (Revision 2002-05). Given both the wide array of products on which our engines are placed, and the variety of environmental issues applicable to operating the equipment, it may be that the engine you have purchased will not develop the rated horsepower when used in a piece of power equipment (actual "on-site" power). This difference is due to a variety of factors including, but not limited to, the following: differences in altitude, temperature, barometric pressure, humidity, fuel, engine lubrication, maximum governed engine speed, individual engine to engine variability, design of the particular piece of power equipment, the manner in which the engine is operated, engine run-in to reduce friction and clean out of combustion chambers, adjustments to the valves and carburetor, and other factors. The power ratings may also be adjusted based on comparisons to other similar engines utilized in similar applications, and will therefore not necessarily match the values derived using the foregoing codes.

**Check Crankcase Oil Level** before starting engine and after each 8 hours of continuous use (see Figure 25). Add the recommended motor oil as required.

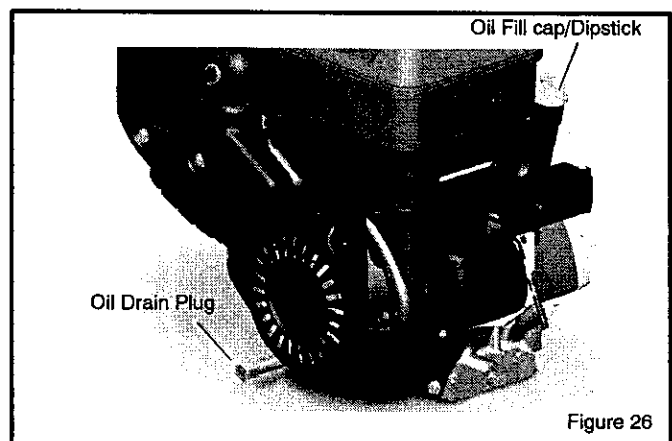
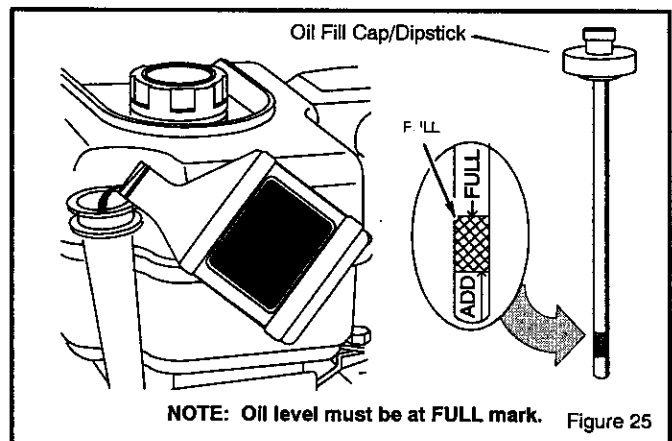
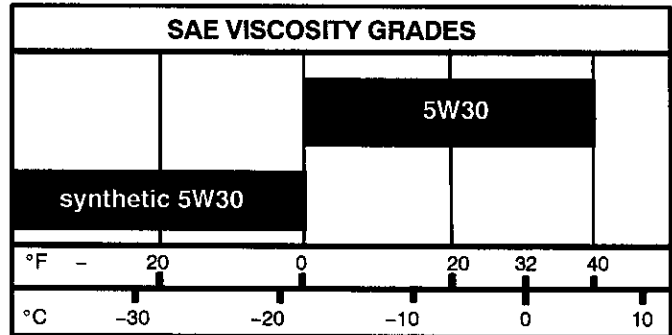
**NOTE: Overfilling the engine can affect performance. Tighten the oil fill cap securely to prevent leakage.**

**Change Oil** every 50 hours of operation or at least once a year, even if the snow blower is not used for fifty hours. Use a clean, high quality detergent oil. Fill the crank case to FULL line on dipstick (see Figure 25). Be sure original container is marked: A.P.I. service "SF" or higher. Do not use SAE10W40 oil (as it may not provide proper lubrication). See Chart for oil recommendations.

**To Drain Oil** - Position snow blower so that the oil drain plug is lowest point on engine. When the engine is warm, remove oil drain plug and oil fill cap and drain oil into a suitable container (Figure 26).

Replace oil drain plug and tighten securely. Refill crank case with the recommended motor oil.

TEMPERATURE	TYPE OF OIL
0°F (-18° C) and above	S.A.E. 5W30
0°F (-18° C) and below	synthetic 5W30



# ADJUSTMENT/REPAIR



**WARNING:** Always turn unit off, remove ignition key and disconnect the spark plug wire before making any repairs or adjustments.

## AUGER HOUSING HEIGHT ADJUSTMENT

### TO ADJUST SCRAPER BAR

After considerable use, the metal scraper bar will have a definite wear pattern. The scraper bar in conjunction with the skids should always be adjusted to allow one-eighth of an inch (3 mm) between the scraper bar and the sidewalk or area to be cleaned.

**To adjust the scraper bar, proceed as follows:**

1. Position the snow blower on a level surface.
2. Loosen the carriage bolts and nuts securing the scraper bar to the auger housing.
3. Adjust the scraper bar to the proper position. Tighten the carriage bolts and nuts, insuring that the scraper bar is parallel with the working surface.
4. For extended operation, the scraper bar may be reversed. If the scraper bar must be replaced because of wear, remove the carriage bolts and nuts and install a new scraper bar.

### TO ADJUST SKID HEIGHT

This snow blower is equipped with two height adjust skids, secured to the outside of the auger housing. These elevate the front of the snow blower.

When removing snow from a hard surface area such as a paved driveway or walk, adjust the skids up to bring the front of the snow blower down.

When removing snow from rock or uneven construction, raise the front of the snow blower by moving the skids down. This will help to prevent rocks and other debris from being picked up and thrown by the augers.

**To adjust skids, proceed as follows:**

1. Place a block (equal to height from ground desired) under scraper bar near but not under skid.
2. Loosen skid mounting nuts (Figure 27) and push the skid down until it touches the ground. Retighten mounting nuts.
3. Set skid on other side at same height.

**NOTE:** Make sure that snow blower is set at same height on both sides.



**WARNING:** Be certain to maintain proper ground clearance for your particular area to be cleared. Objects such as gravel, rocks or other debris, if struck by the impeller, may be thrown with sufficient force to cause personal injury, property damage or damage to the snow blower.

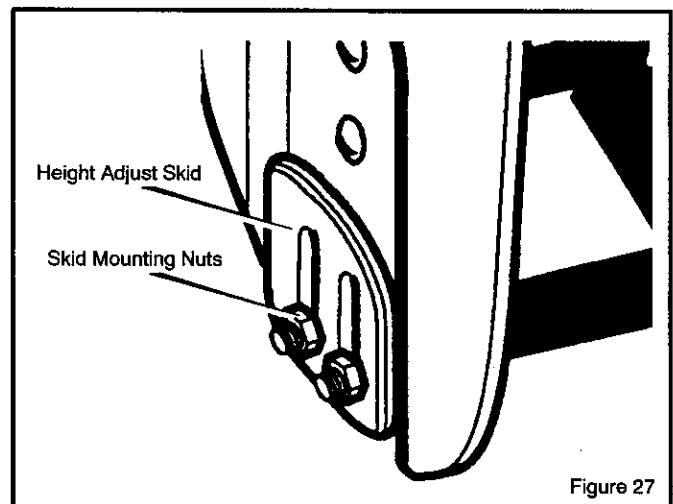


Figure 27



## ADJUSTMENT/REPAIR

### HOW TO REMOVE THE SNOW HOOD

To access the spark plug, the snow hood must be removed as follows:

1. Remove the choke control knob (see Figure 28).
2. Remove the **safety key**.
3. Remove the **mounting screws** (see Figure 29).
4. Slowly remove the snow hood. Make sure that the **primer button hose** and the **ignition wire** are not disconnected.
5. The **spark plug** can now be accessed.
6. To install the snow hood, first make sure that the primer button hose and the ignition wire are connected.
7. Mount the snow hood to the engine and secure with the mounting screws (see Figure 29).
8. Connect the choke control knob with the choke shaft on the carburetor (see Figure 30 and Figure 31). Make sure the choke control knob is properly installed. If the choke control knob is not installed correctly, the choke will not operate.
9. Install the **safety key**.

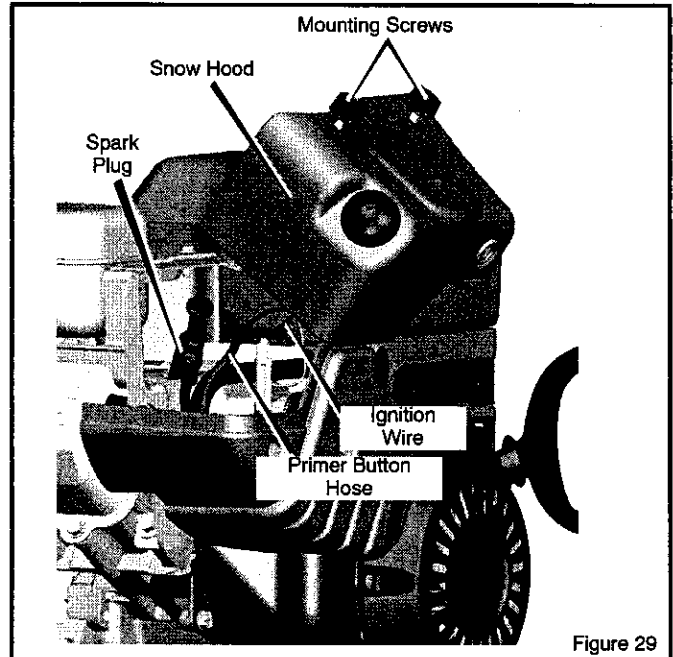


Figure 29

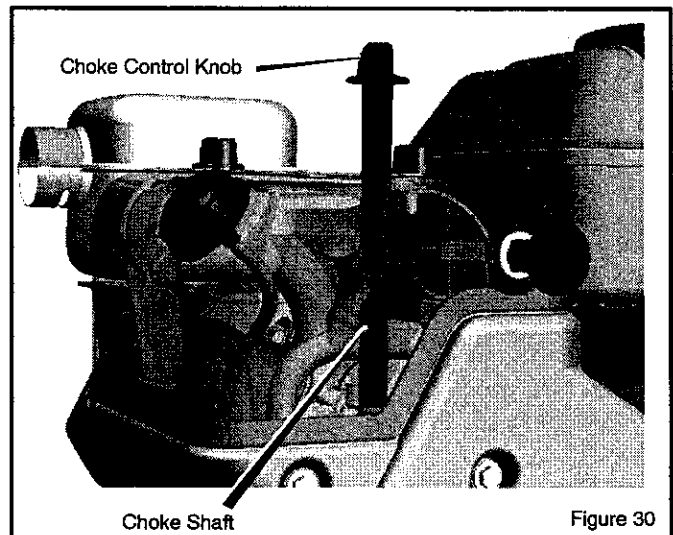


Figure 30

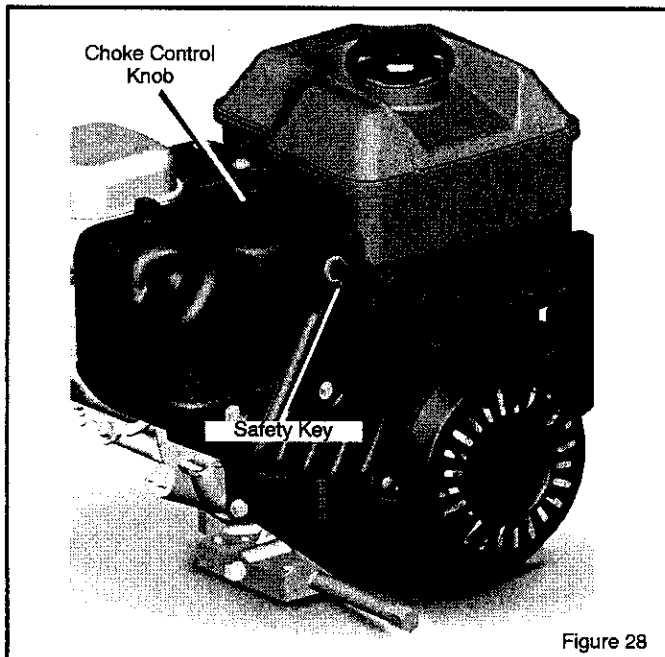


Figure 28

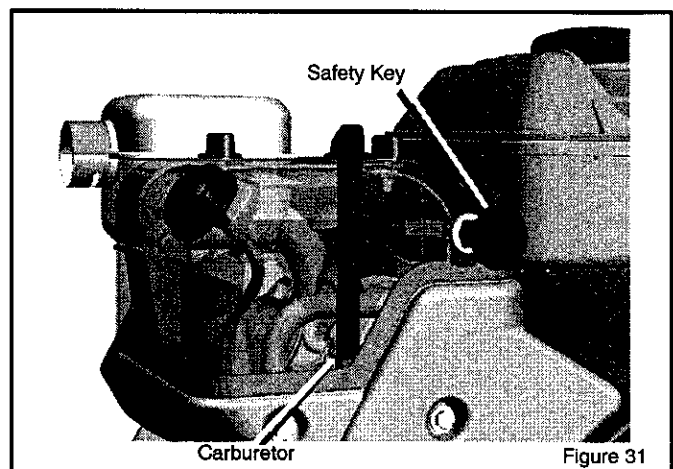


Figure 31

# ADJUSTMENT/REPAIR

## BELT ADJUSTMENT

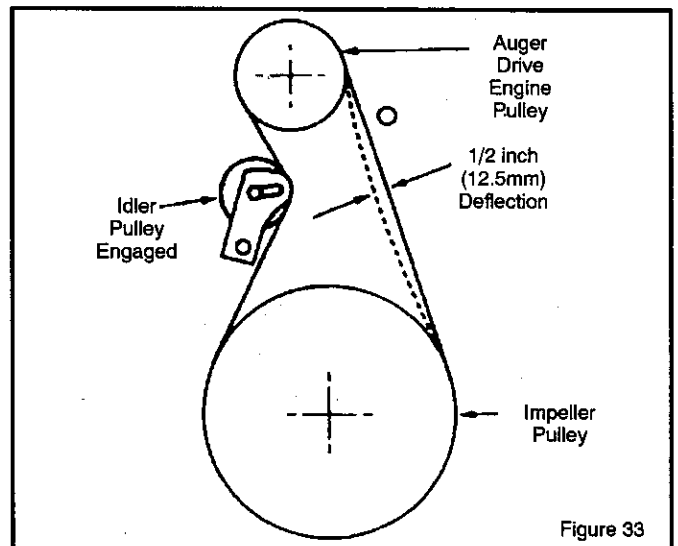
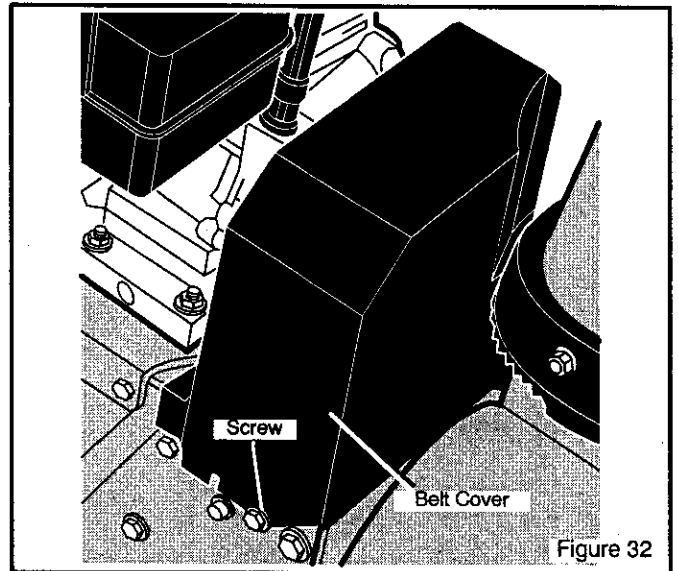
### Traction Drive Belt

The traction drive belt has constant spring pressure and does not require an adjustment. If the traction drive belt is slipping, replace the belt. See "How To Replace The Belts" in the Maintenance section.

### Auger Drive Belt

If your snowthrower will not discharge snow, check the control cable adjustment. If it is correct, then check the condition of the auger drive belt. If it is damaged or loose, replace it (see Belt Replacement in this section of the manual).

1. Disconnect spark plug wire.
2. Remove **screw** from **belt cover**. Remove **belt cover** (see Figure 32).
3. Loosen nut on auger idler pulley and move auger idler pulley towards belt about 1/8 inch (3 mm) (see Figure 36).
4. Tighten nut.
5. Have someone engage auger drive clutch. Check tension on belt (opposite idler pulley). Belt should deflect about 1/2 inch (12.5 mm) with moderate pressure (see Figure 33). You may have to move idler pulley more than once to obtain the correct tension.
6. Reinstall belt cover.
7. Whenever belts are adjusted or replaced, the cables will need to be adjusted. (See Cable Adjustment in this section of the manual).
8. Attach the spark plug wire.



# ADJUSTMENT/REPAIR

## HOW TO REPLACE THE BELTS

The drive belts are of special construction and must be replaced with original factory replacement belts available from your nearest authorized service center.

Some steps require the assistance of a second person.

### How To Remove the Auger Drive Belt

If the auger drive belt is damaged, the snow thrower will not discharge snow. Replace the damaged belt as follows.

1. Disconnect the spark plug wire.
2. Loosen the **bolts** on each side of the **bottom panel** (see Figure 34).
3. Remove the **bottom panel**.
4. Remove **screw** from **belt cover**. Remove the **belt cover** (see Figure 32).
5. Loosen the **belt guide**. Pull the **belt guide** away from the **auger drive pulley** (see Figure 36).
6. Pull the **idler pulley** away from the **auger drive belt** and slip the **auger drive belt** off of the **idler pulley**.
7. Remove the **auger drive belt** from the **engine pulley**. To remove the **auger drive belt**, the **engine pulley** may have to be partially rotated.
8. Remove the top four **bolts** that hold together the **auger housing** and the **motor box**. Loosen the bottom two **bolts**. The **auger housing** and the **motor box** can now be split apart for removal of the belt (see Figure 35).
9. Remove the old **auger drive belt** from the **auger drive pulley**. Replace the **auger drive belt** with an original factory replacement belt available from an authorized service center (see Figure 36).
10. Install the new **auger drive belt** onto the **auger drive pulley**.  
**NOTE:** To assemble the auger housing to the motor box, have someone hold the auger clutch lever in the **ENGAGED** position. This will move the idler arm and pulley enough to allow the auger drive pulley to move back into position.
11. Assemble the **auger housing** to the **motor box** with the four **bolts** that were removed in step 8. Tighten the bottom two **bolts**.
12. Install the **auger drive belt** onto the **engine pulley**.
13. Slip the **auger drive belt** under the **idler pulley**.
14. Adjust the **auger drive belt**. See "How To Adjust The Auger Drive Belt" in the Maintenance section.
15. Adjust the **belt guide**. See "How To Adjust The Belt Guide" in the Maintenance section.

16. Install the **belt cover**. Tighten **screw** (See Figure 32).
17. Check the adjustment of the cables. See "How To Check And Adjust The Cables" in the Maintenance section.
18. Install the **bottom panel** (see Figure 34).
19. Tighten the **bolts** on each side of the **bottom panel**.
20. Connect the spark plug wire.

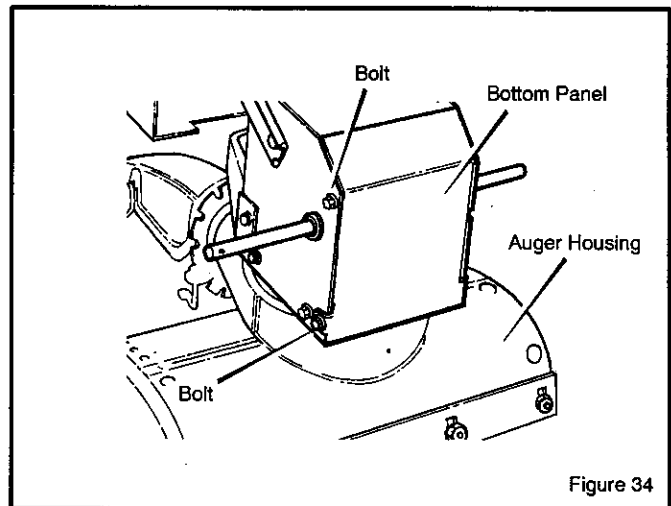


Figure 34

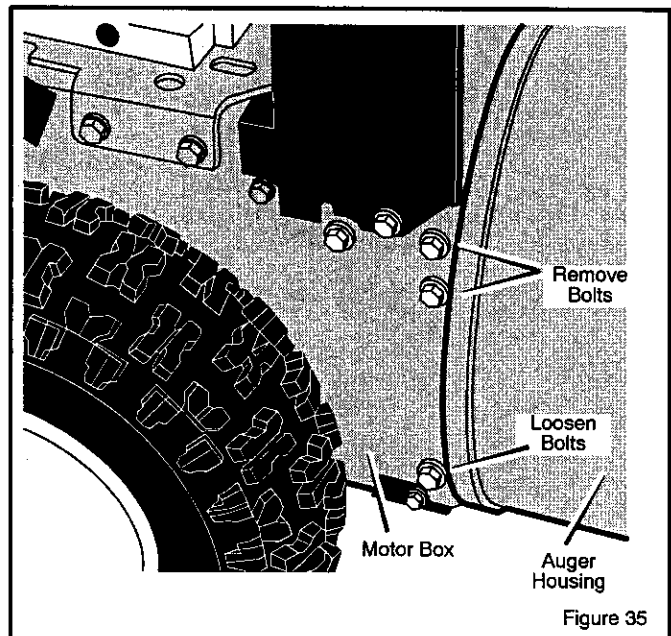


Figure 35

# ADJUSTMENT/REPAIR

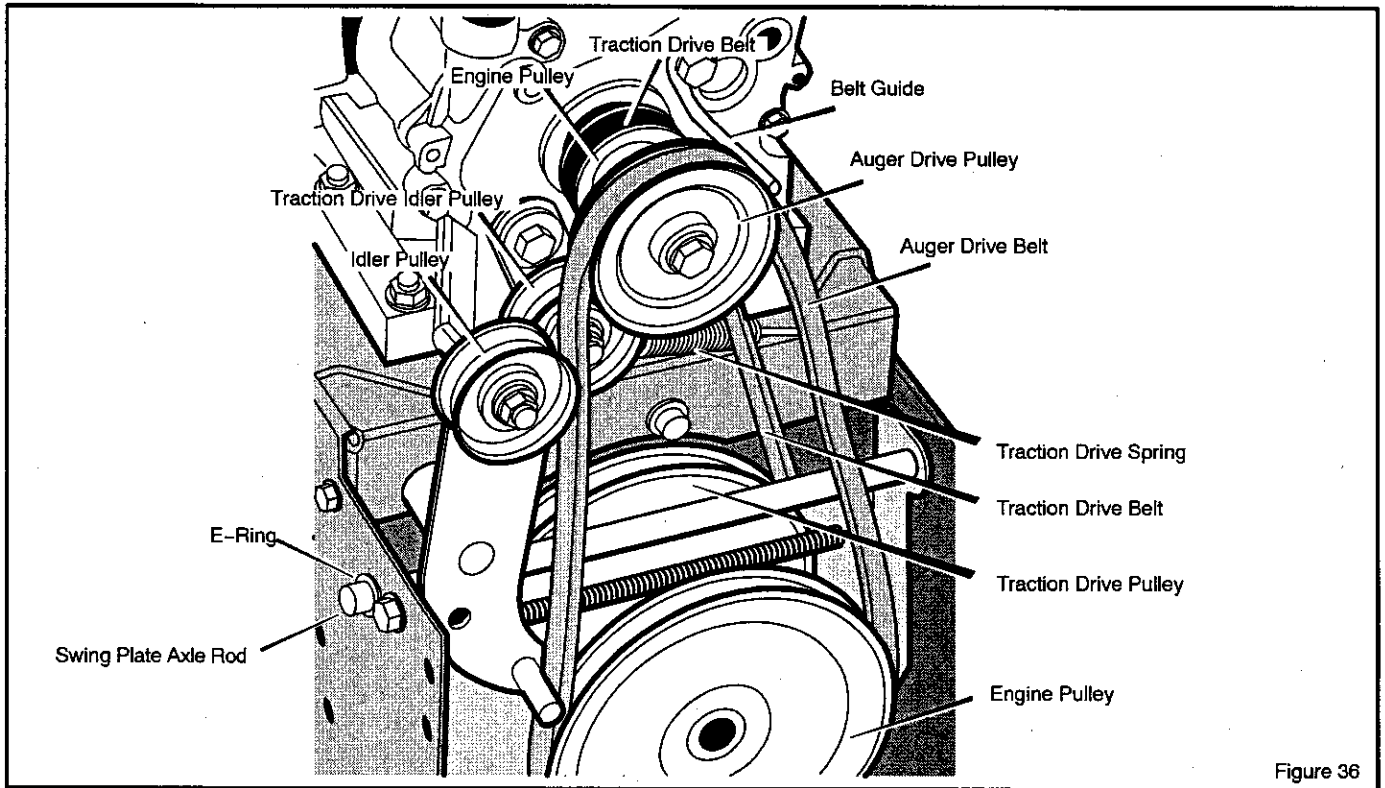


Figure 36

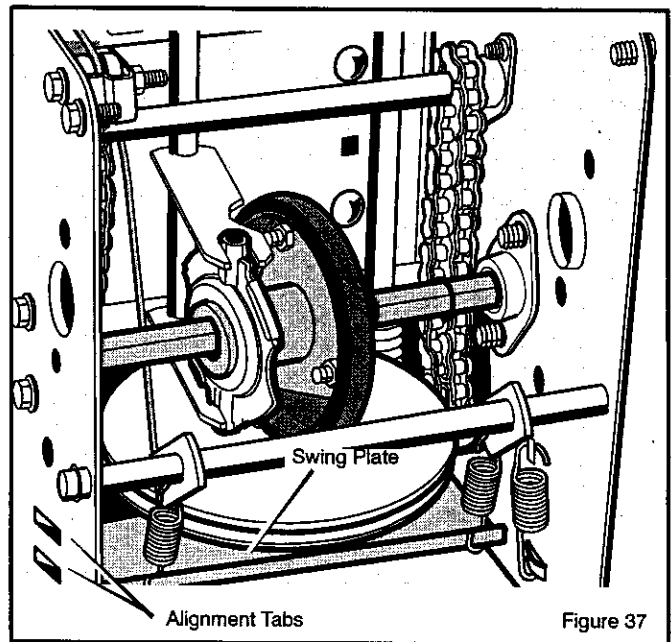
# ADJUSTMENT/REPAIR

## How To Remove the Traction Drive Belt

If the snow thrower will not move forward, check the traction drive belt for wear or damage. If the traction drive belt is worn or damaged, replace the belt as follows.

1. Disconnect the spark plug wire.
2. Remove the auger drive belt. See "How To Remove The Auger Drive Belt" in the Maintenance section.
3. Remove the **e-ring** from one end of the **swing plate axle rod**. Remove the **swing plate axle rod** to allow the the swing plate to pivot forward (see Figure 36).
4. Remove the **traction drive spring**.
5. Remove the old **traction drive belt** from the **traction drive pulley** and from the **engine pulley**. Replace the **traction drive belt** with an original factory replacement belt available from an authorized service center.
6. Install the new **traction drive belt** onto the **traction drive pulley** and onto **engine pulley**.
7. Make sure the **traction drive idler pulley** is properly aligned with the **traction drive belt**.
8. Attach the **traction drive spring**.
9. Install the **swing plate axle rod** and secure with the **e-ring** removed earlier.
10. The bottom of the **swing plate** must be positioned between the **alignment tabs**. Make sure the **swing plate** is properly secured (see Figure 37).
11. Install and adjust the **auger drive belt**. See "How To Remove The Auger Drive Belt" in the Maintenance section.
12. Adjust the **belt guide**. See "How To Adjust The Belt Guide" in the Maintenance section.
13. Install the **bottom panel** (see Figure 34).
14. Tighten the **bolts** on each side of the **bottom panel**.
15. Install the **belt cover**. Tighten **screw** (see Figure 32).
16. Check the adjustment of the cables. See "How To Check And Adjust The Cables" in the Maintenance section.
17. Connect the spark plug wire.

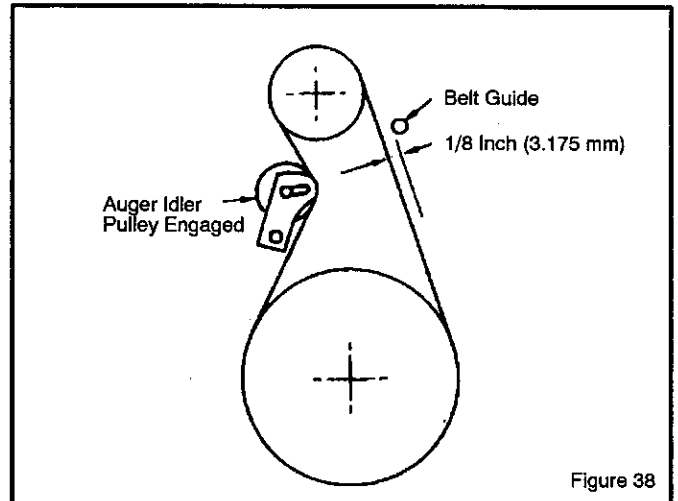
**NOTE:** If the drive will not engage after the traction drive belt has been replaced, then check to make sure that the swing plate is positioned between the alignment tabs.



# ADJUSTMENT/REPAIR

## BELT GUIDE ADJUSTMENT

1. Remove spark plug wire.
2. Have someone engage auger drive.
3. Measure the distance between the belt guide and belt. The distance should be 1/8 inch (3.175 mm) for guide. See Figure 38.
4. If adjustment is necessary, loosen belt guide mounting bolt. Move belt guide to the correct position. Tighten mounting bolt.
5. Reinstall belt cover.
6. Reconnect spark plug wire.



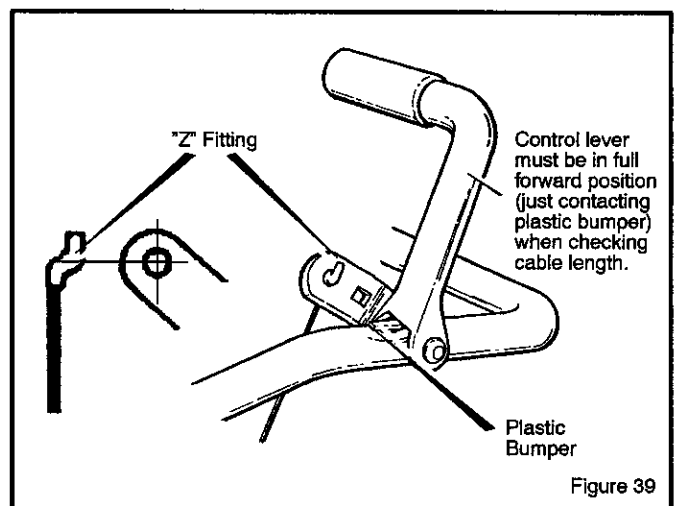
## HOW TO CHECK AND ADJUST THE CABLES

The cables are adjusted at the factory and no adjustment should be necessary. If the cables have become stretched or are sagging adjustment will be necessary.

Whenever belts are adjusted or replaced, the cables will need to be adjusted.

To check for correct adjustment, unhook "Z" fitting at clutch lever (see Figure 39).

1. Move clutch lever to the full forward position (just contacting plastic bumper). Holding cable tight, note position of fitting to hole in clutch lever.
2. The center of the "Z" fitting should be between the centre and top of the hole in the clutch lever. Adjust either the auger drive cable or the traction drive cable as follows.

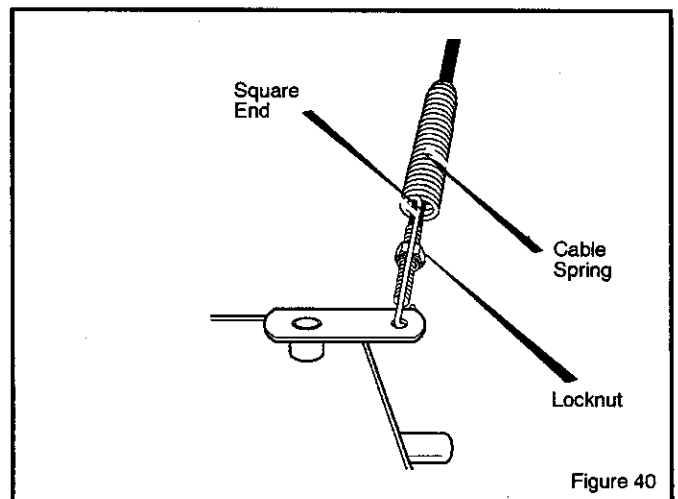


## Auger Drive Cable Adjustment



**WARNING:** Drain the gasoline outdoors, away from fire or flame.

1. Remove the gas from the gas tank. Stand the snow thrower up on the front end of the auger housing.
2. Push cable through spring to expose the threaded portion of the cable (see Figure 40).
3. Hold square end of threaded portion with pliers and adjust locknut in or out until correct adjustment is reached. Pull cable back through spring and connect cable.



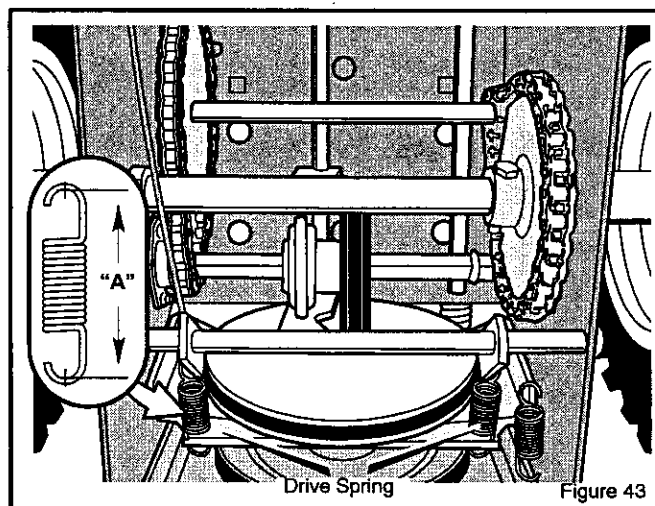
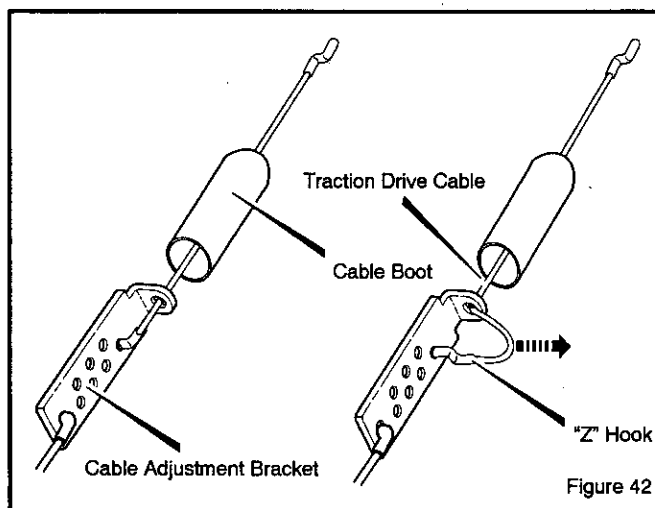
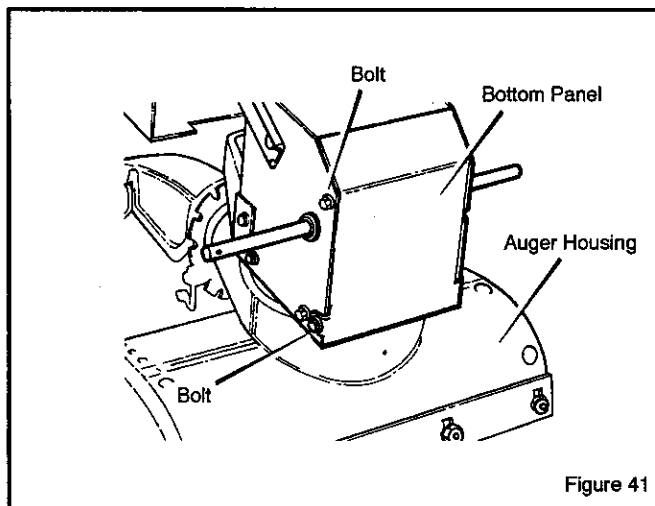
# ADJUSTMENT/REPAIR

## Traction Drive Cable Adjustment



**WARNING:** Drain the gasoline outdoors, away from fire or flame.

1. Remove the gas from the gas tank. Stand the snow thrower up on the front end of the auger housing.
2. Loosen the **bolts** on each side of the **bottom panel** (see Figure 41).
3. Remove the **bottom panel**.
4. Disconnect the **"Z" fitting** from the **drive lever** (see Figure 39).
5. Slide the **cable boot** off the **cable adjustment bracket** (see Figure 42).
6. Push the bottom of the **traction drive cable** through the **cable adjustment bracket** until the **"Z" hook** can be removed.
7. Remove the **"Z" hook** from the **cable adjustment bracket**. Move the **"Z" hook** down to the next adjustment hole.
8. Pull the **traction drive cable** up through the **cable adjustment bracket**.
9. Put the **cable boot** over the **cable adjustment bracket**.
10. Install the **"Z" hook** to the **traction drive lever** (see Figure 39).
11. To check the adjustment, depress the drive lever and check the length of the **drive spring** (see Figure 43). In correct adjustment, the length of the **drive spring** is minimum 3 inches (76 mm.) maximum 3-3/8 inches (85 mm.).
12. Install the **bottom panel** (see Figure 41).
13. Tighten the **bolts** on each side of the **bottom panel**.



# ADJUSTMENT/REPAIR

## HOW TO ADJUST OR REPLACE THE FRICTION WHEEL

### How To Check The Friction Wheel

If the snow thrower will not move forward, check the traction drive belt, the traction drive cable or the friction wheel. If the friction wheel is worn or damaged, it must be replaced. See "How To Replace the Friction Wheel" in this section. If the friction wheel is not worn or damaged, check as follows.

1. Remove the gas from the gas tank. Stand the snow thrower up on the front end of the **auger housing** (see Figure 44).



**WARNING: Drain the gasoline outdoors, away from fire or flame.**

2. Disconnect the spark plug wire.
3. Loosen the **bolts** on each side of the **bottom panel** (see Figure 44).
4. Remove the **bottom panel**.
5. Position the **shift speed lever** in the lowest forward speed.
6. Note the position of the **friction wheel** (see Figure 45). The correct distance "**A**" from the right side of the **friction wheel** to the outside of the motorbox is as follows:

Tire Size	Distance "A"
12 and 13 inch	4-1/8" (10.5 cm.)
16 inch	4-5/16" (10.95 cm.)

If the **friction wheel** is not in the correct position, adjust as follows.

### How To Adjust The Friction Wheel

1. Position the **shift speed lever** in the lowest forward speed.
2. Loosen hex **jam nut** on **speed select rod**. Remove **ball joint** from **shifter bracket** (see Figure 46).
3. Move the **friction wheel** against to the correct position (see Figure 45).
4. Turn the **adaptor** until the **ball joint** is aligned with the mounting hole in the **shifter rod** (see Figure 46). When aligned, attach the **ball joint** to the **shifter rod**.

5. Tighten the **jam nut**.
6. Install the **bottom panel** (see Figure 44).
7. Tighten the **bolts** on each side of the **bottom panel**.

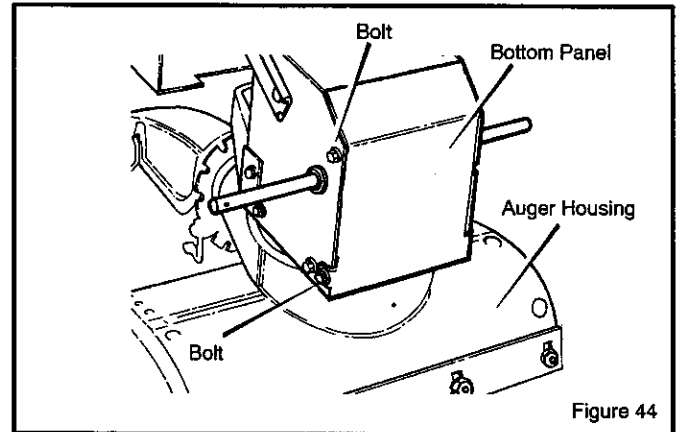


Figure 44

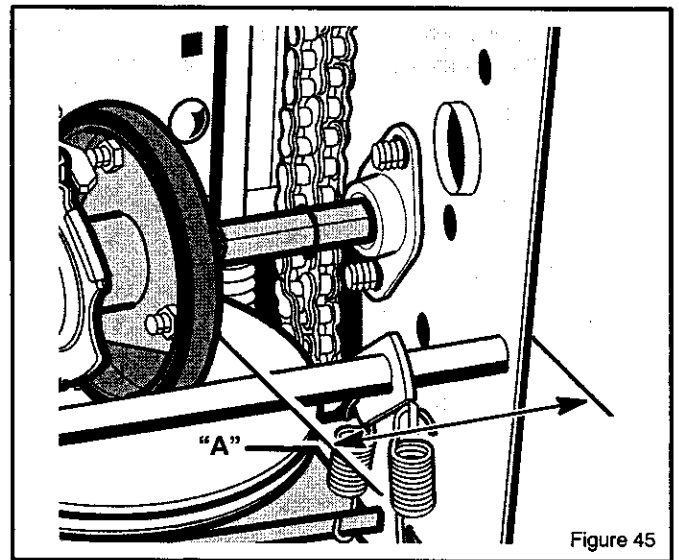


Figure 45

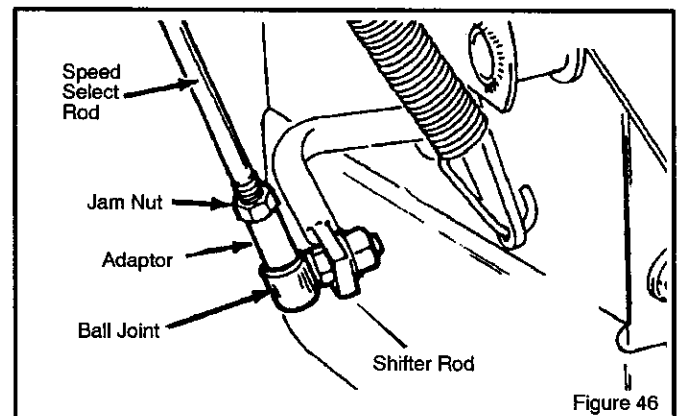


Figure 46



# ADJUSTMENT/REPAIR

## How To Replace The Friction Wheel

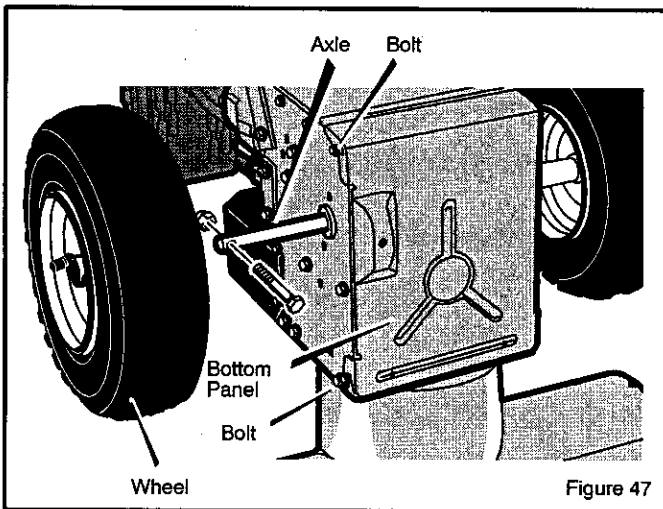
If the friction wheel is worn or damaged, the snow thrower will not move forward. The friction wheel must be replaced as follows.

1. Remove the gas from the gas tank. Stand the snow thrower up on the front end of the **auger housing (4)**. (see Figure 44).

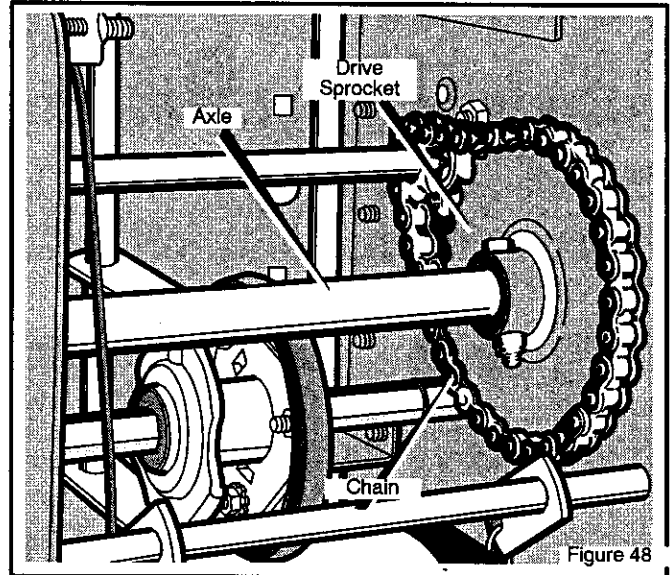


**WARNING:** Drain the gasoline outdoors, away from fire or flame.

2. Disconnect the spark plug wire.
3. Remove the fasteners that secure the left **wheel**. Remove the **left wheel** from the **axle** (see Figure 47)
4. Loosen the **bolts** on each side of the **bottom panel**.
5. Remove the **bottom panel**.

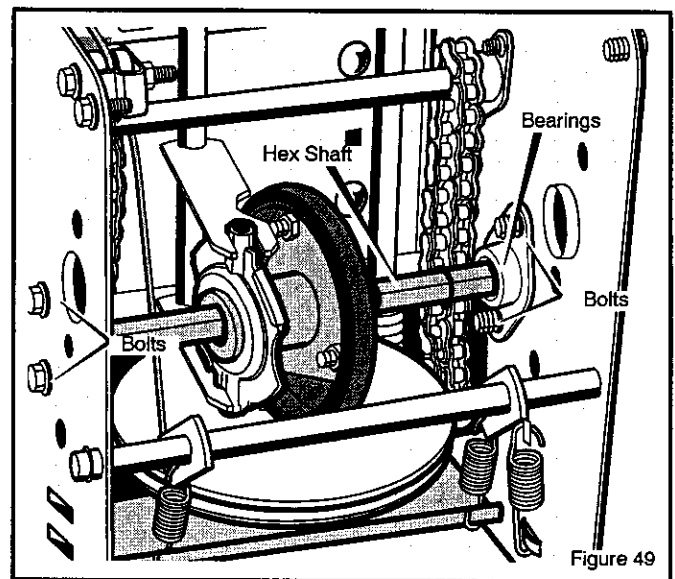


6. Remove the fasteners that secure the **drive sprocket** to the **axle** (see Figure 48).
7. Remove the right wheel, **axle**, and **drive sprocket**.



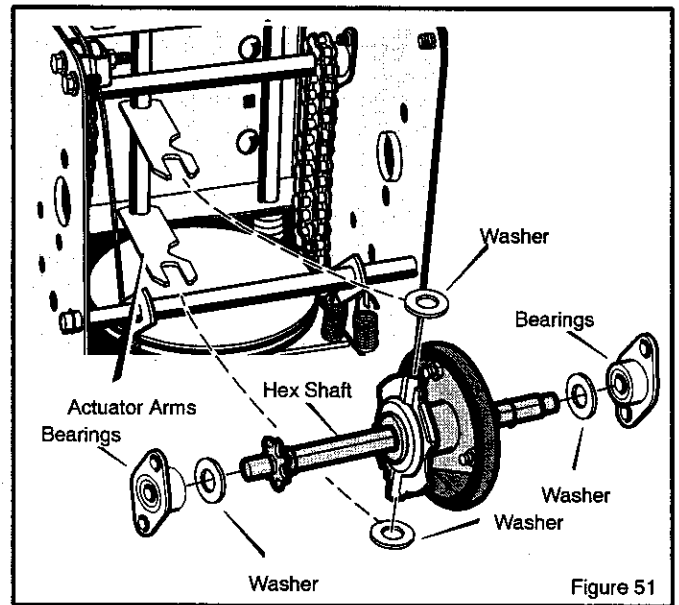
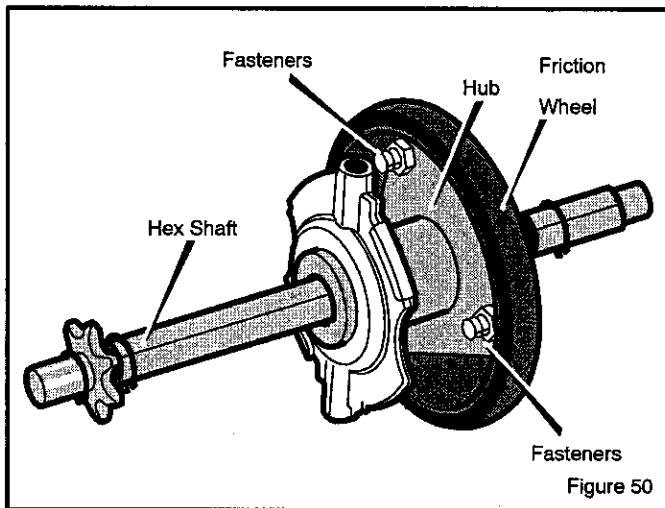
8. Remove the four **bolts** that hold the **bearings** on each side of the **hex shaft** (see Figure 49).
9. Remove the **hex shaft** and **bearings**.

**NOTE:** Take special note of the position of the **washers** on the **hex shaft**.



## ADJUSTMENT/REPAIR

10. Remove the three **fasteners** that hold the **friction wheel** to the **hub** (see Figure 50).
11. Remove the **friction wheel** from the **hub**. Slip the **friction wheel** off the **hex shaft**.
12. Assemble the new **friction wheel** onto **hub** with the fasteners removed earlier.



13. Install the **hex shaft** and **bearings** with the four bolts removed earlier (see Figure 51).

**Make sure the washers are properly installed in the original position. Also, make sure the two washers are properly aligned with the actuator arms.**

14. Make sure the **hex shaft** turns freely.

15. Install the **right wheel, axle, and drive sprocket** with the fasteners removed earlier. Install the **chain** onto the **drive sprocket** (see Figure 48).

16. Check the adjustment of the friction wheel. See "How To Adjust The Friction Wheel" in this section.

17. Make sure the friction wheel and the disc drive plate are free from grease or oil.

18. Install the **bottom panel** (see Figure 47).

19. Tighten the **bolts** on each side of the **bottom panel**.

20. Install the **left wheel** to the **axle** with the fasteners removed earlier.

21. Connect the spark plug wire.

## ADJUSTMENT/REPAIR

### AUGER SHEAR BOLT REPLACEMENT

The augers are secured to the auger shaft with special bolts that are designed to break if an object becomes lodged in the auger housing. Use of a harder bolt will reduce the protection provided by the shear bolt. To replace a broken shear bolt, proceed as follows:



**WARNING:** To insure safety and performance levels, only original replacement shear bolts should be used.

1. Stop engine, disengage all controls, disconnect the spark plug lead wire, and insure all moving parts have stopped.
2. Lubricate the auger shaft zerk fittings (see Lubrication Points in the Maintenance section of this manual).
3. Align the hole in the auger with the hole in the auger shaft. Install new shear bolt, spacer and locknut found in the toolbox located on the belt cover (See Figure 52). Tighten with the shear bolt wrench.

**NOTE:** For the operator's convenience, the shear bolt wrenches are located in the toolbox.

**NOTE:** The spacer fits into the larger hole in the auger tube.

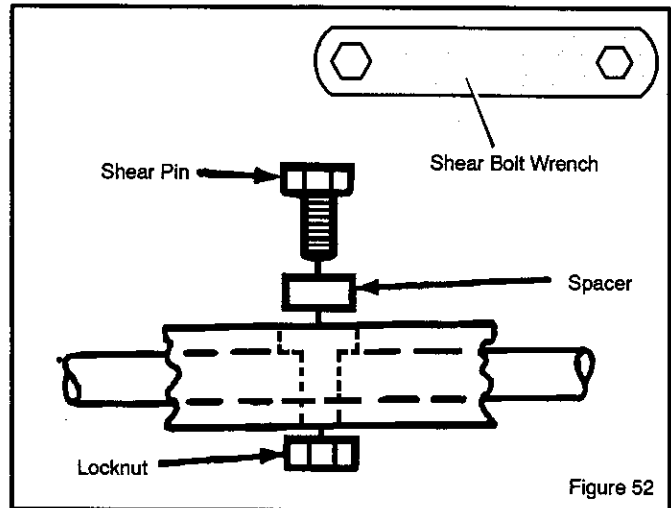


Figure 52

### SPARK PLUG ADJUSTMENT (SEE FIGURE 53)

**NOTICE:** This spark ignition system meets all requirements of the Canadian Interference-Causing Equipment Regulations.

Check the **spark plug** every twenty-five (25) hours. Replace the **spark plug** if the electrodes are pitted or burned, if the porcelain is cracked, or every 100 hours of use.

1. Clean spark plug and reset gap periodically.
2. Clean area around spark plug base before removal, to prevent dirt from entering engine.
3. Replace spark plug if electrodes are pitted or burned or if porcelain is cracked.
4. Clean spark plug by carefully scraping electrodes (do not sandblast or use wire brush).
5. Be sure spark plug is clean and free of foreign material. Check electrodes gap with a wire feeler gauge and reset gap to 0.030" (0.76 mm) if necessary. If a new spark plug is needed, refer to Engine Repair Parts section of this manual for proper replacement spark plug.

6. Before installing spark plug, coat threads lightly with graphite grease to insure easy removal.
7. Tighten plug firmly into engine. If torque wrench is available, torque plug to 18–23 ft-lbs.

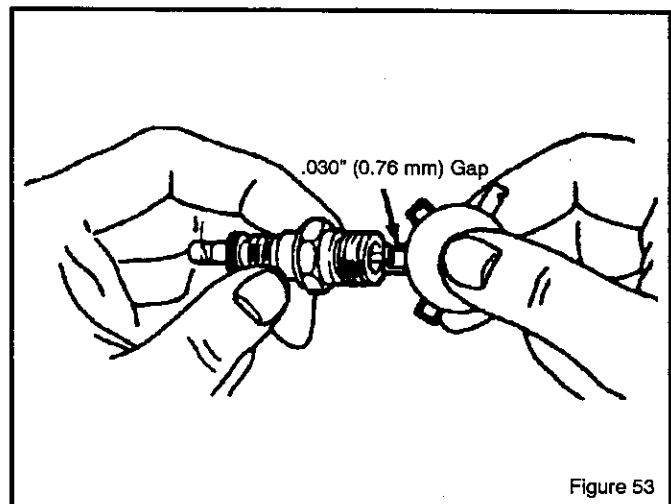


Figure 53

# STORAGE

## OFF SEASON STORAGE



**WARNING:** Never store engine with fuel in tank indoors or in enclosed, poorly ventilated enclosures, where fuel fumes may reach an open flame, spark or pilot light as on a furnace, water heater, clothes dryer, etc.

Handle gasoline carefully. It is highly flammable and careless use could result in serious fire damage to your person and /or property.

Drain fuel into approved containers outdoors, away from open flame.

If the snow blower is to be stored for thirty (30) days or more at the end of the snow season, the following steps are recommended to prepare your snow blower for storage.

**NOTE:** Gasoline must be removed or treated to prevent gum deposits from forming in the tank, filter, hose, and carburetor during storage.

1. To remove gasoline, run engine until tank is empty and engine stops. Then drain remaining gasoline from carburetor by pressing upward on bowl drain located on the bottom of carburetor (see Figure 54).



**WARNING:** Drain gasoline outdoors, away from fire or flame.

If you do not want to remove gasoline use the fuel stabilizer supplied with unit. Add fuel stabilizer (follow instructions on fuel stabilizer package) to any gasoline left in the tank to minimize gum deposits and acids. If the tank is almost empty, mix stabilizer with fresh gasoline in a separate container and add some to the tank. ALWAYS FOLLOW INSTRUCTIONS ON STABILIZER CONTAINER. THEN RUN ENGINE AT LEAST 10 MINUTES AFTER STABILIZER IS ADDED TO ALLOW MIXTURE TO REACH CARBURETOR. STORE SNOW BLOWER IN SAFE PLACE.

2. You can help keep your engine in good operating condition by changing oil before storage.
3. Remove the spark plug and pour about 15 ml (1/2 oz) of engine oil into the cylinder. Replace the spark plug and crank slowly to distribute the oil.

4. Thoroughly clean the snow blower.
5. Lubricate all lubrication points (see Lubrication, see Customer Responsibilities).
6. Insure that all nuts, bolts, and screws are securely fastened. Inspect all visible moving parts for damage, breakage, and wear. Replace if necessary.
7. Touch up all rusted or chipped paint surfaces; sand lightly before painting.
8. Cover the bare metal parts of the blower housing auger, and the impeller with rust preventative.
9. If possible, store your snow blower indoors and cover it to give protection from dust and dirt.
10. Store in a clean and dry area, but NOT near a stove, furnace or water heater which uses a pilot light or any device that can create a spark.
11. If the machine must be stored outdoors, block up the snow blower and insure the entire machine is off the ground. Cover the snow blower with a heavy tarpaulin.

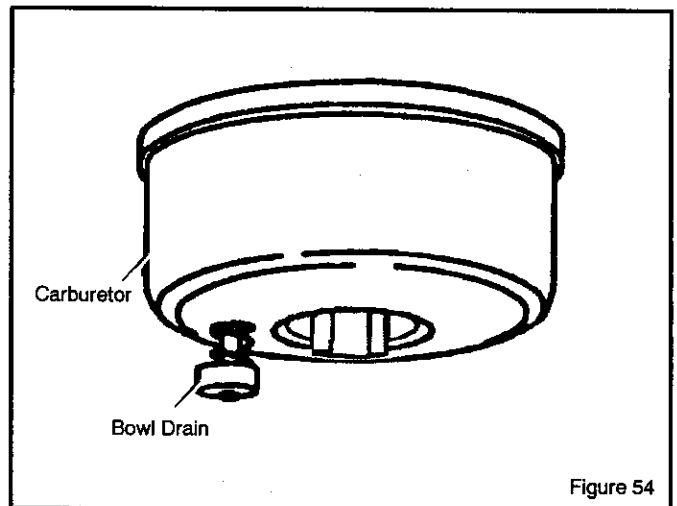


Figure 54

## TROUBLE SHOOTING CHART

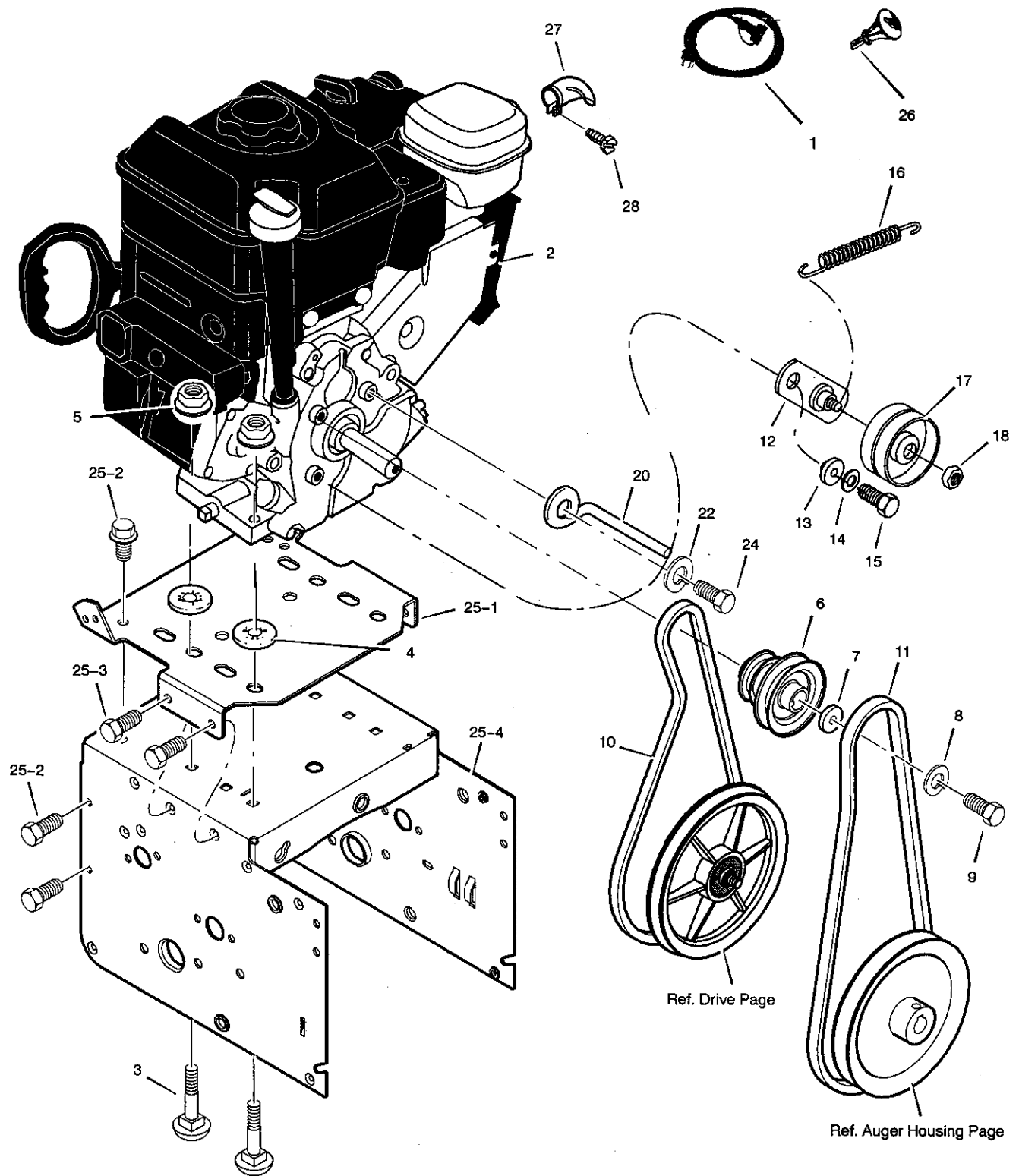
PROBLEM	LOOK FOR	REMEDY
Difficult starting	Defective spark plug.	Replace defective spark plug.
Engine runs erratically	Blocked fuel line.	Clean fuel line.
	Empty gas tank.	Check fuel supply.
	Stale gasoline.	Add fresh gasoline with fuel stabilizer.
	Water or dirt in fuel system.	Remove carburetor bowl to drain fuel tank. Refill with fresh fuel. <b>CAUTION: Do not remove carburetor bowl when the engine is hot.</b>
Engine stalls	Unit running on CHOKE.	Set choke lever to RUN position.
Loss of power	Gas cap vent hole is plugged.	Remove ice and snow from cap. Be sure vent hole is clear.
Excessive vibration	Loose parts or damaged impeller.	Stop engine immediately and remove spark plug wire. Tighten all bolts and make all necessary repairs. If vibration continues, have the unit serviced by a competent repairman.
Unit fails to propel itself	Drive belt loose or damaged.	Replace drive belt. Refer to <b>Drive Belt Replacement</b> in <b>Adjustments/Repairs</b> section of this manual.
	Incorrect adjustment of traction drive cable.	Adjust traction drive cable. Refer to <b>Cable Adjustment</b> in <b>Adjustments/Repairs</b> section of this manual.
	Worn or damaged friction disc.	Replace friction disc. Refer to <b>Friction Wheel Replacement</b> in <b>Adjustments/Repairs</b> section of this manual.
Unit fails to discharge snow	Auger drive belt loose or damaged.	Replace or adjust auger drive belt. Refer to <b>Drive Belt Replacement</b> and <b>Drive Belt Adjustment</b> in <b>Adjustments/Repairs</b> section of this manual.
	Auger control cable not adjusted correctly.	Adjust auger control cable. Refer to <b>Cable Adjustment</b> in <b>Adjustments/Repairs</b> section of this manual.
	Broken shear bolt.	Replace shear bolt. Refer to <b>Auger Shear Bolt Replacement</b> in <b>Adjustments/Repairs</b> section of this manual.
	Discharge chute clogged.	Stop engine immediately and disconnect spark plug wire. Refer to the first <b>Warning in Snow blower Operation</b> in <b>Operation</b> section of this manual. Clean discharge chute and inside of auger housing.
	Foreign object lodged in auger.	Stop engine immediately and disconnect spark plug wire. Refer to the <b>third Warning in Snow blower Operation</b> in <b>Operation</b> section of this manual. Remove object from auger.

### Identifying Your Snow blower

Your new Snow blower has two (2) identifying numbers: (1) unit model number: (2) unit serial number. The two preceding numbers are required to insure that the proper replacement parts are obtained when required. If you have any questions concerning parts, service, or technical data, contact your nearest Sears Service Department. For complete warranty information refer to the warranty in the Owner's Information section of this manual.

**CRAFTSMAN 30" SNOW BLOWER C950524312A**  
**CRAFTSMAN 30" CHASSE NEIGE C950524312A**

**REPAIR PARTS**  
**PIÈCES DE RECHANGE**  
**ENGINE / MOTEUR**

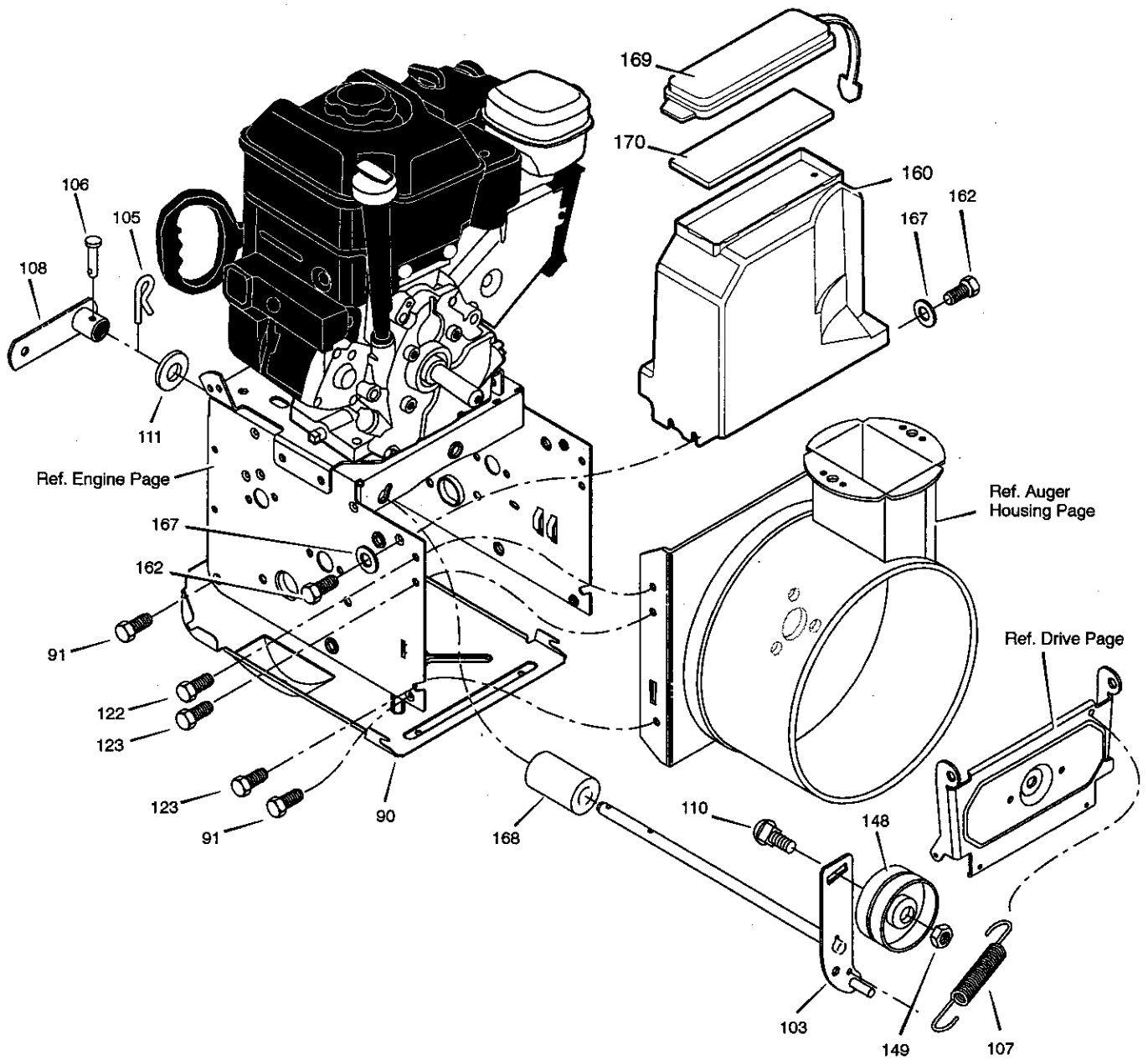


**CRAFTSMAN 30" SNOW BLOWER C950524312A      REPAIR PARTS**  
**CRAFTSMAN 30" CHASSE NEIGE C950524312A      PIÈCES DE RECHANGE**  
**ENGINE / MOTEUR**

<b>Key No. N° sur le schéma</b>	<b>Part No. N° de pièce</b>	<b>Description</b>	<b>Description</b>
1	6219	CORD, STARTER	CORDE DU DÉMARREUR
2	-----	ENGINE	MOTEUR
3	002x97	BOLT, CARRIAGE 5/16-18	BOULON, PO. 5/16-18
4	028x76	RETAINER, PUSH	RONDELLE DE RETENUE
5	710026	NUT 5/16-18	ECROU 5/16-18
6	1501109	PULLEY, ENGINE	POULIE MOTRICE DOUBLE
7	17x170	WASHER	RONDELLE
8	71063	WASHER	RONDELLE-FREIN DI .38
9	001x20	SCREW, 3/8-24X1.00	VIS, 3/8-24X1.00
10	579932	BELT, V 3L	COURROIE TRAPEZOID. V 3L
11	585416	BELT, V 4L	COURROIE TRAPEZOID. V 4L
12	1501112 YZ	BRACKET ASSEMBLY, IDLER	PATTE DE FIXATION, POULIE LIBRE
13	1501065	BUSHING, IDLER BRACKET	ENTRETOISE, FIXATION DE POULIE LIBRE
14	71060	WASHER	RONDELLE
15	710097	SCREW 5/16-24 X 0.75	VIS 5/16-24 X 0.75
16	53704	SPRING	RESSORT
17	1502120	PULLEY, IDLER	PULLIE LIBRE
18	590	NUT, JAM 3/8-16	CONTRE-ECROU 3/8-16
20	1501201	GUIDE, ROD BELT	GUIDE DE COURROIE
22	71060	WASHER, SPTLK .31X.58X.08	RONDELLE-FREIN .31X.58X.08
24	710097	SCREW, 5/16-24X 0.75	VIS 5/16-24X 0.75
25	-----	FRAME ASSEMBLY	CHASSIS DE MONTAGE, MOTEUR
25-1	1501062E737	PLATE, ENGINE MOUNT	PLAQUE DE MONTAGE, MOTEUR
25-2	310169	SCREW 1/4-20 X .63	VIS 1/4-20 X .63
25-3	25x020	SCREW 5/16-18 X .50	VIS 5/16-18 X .50
25-4	1501049E737	FRAME, MOTOR BOX	SUPPORT DE MONTAGE, MOTEUR
26	282045	KEY, IGNITION	CLE
27	226462	DEFLECTOR, MUFFLER	DÉFLECTEUR DE SILENCIEUX
28	810140	SCREW	VIS

**CRAFTSMAN 30" SNOW BLOWER C950524312A**  
**CRAFTSMAN 30" CHASSE NEIGE C950524312A**

**REPAIR PARTS**  
**PIÈCES DE RECHANGE**  
**FRAME / BÂTI**





**CRAFTSMAN 30" SNOW BLOWER C950524312A      REPAIR PARTS**  
**CRAFTSMAN 30" CHASSE NEIGE C950524312A PIÈCES DE RECHANGE**  
**FRAME / BÂTI**

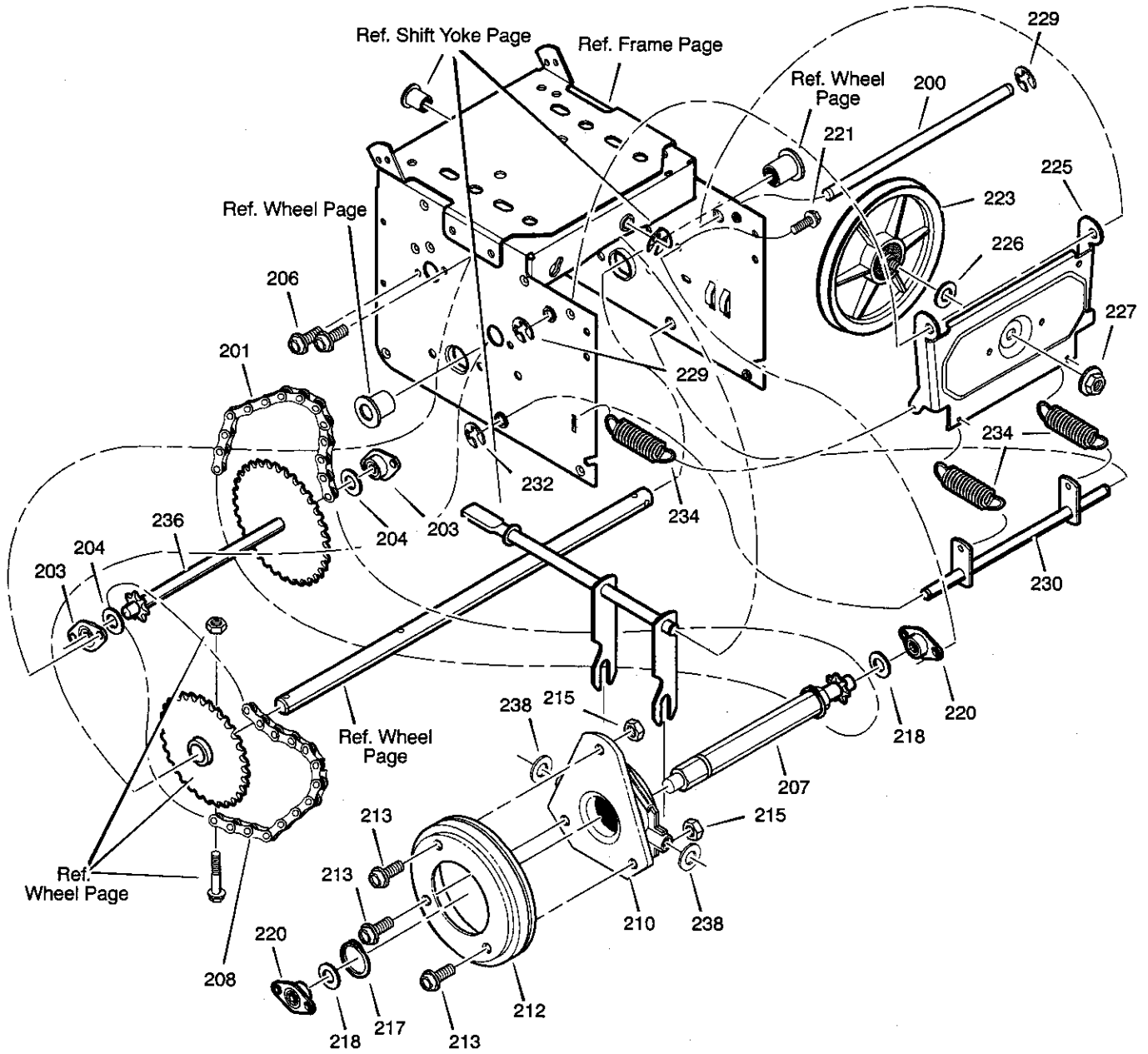
<b>Key No. N° sur le schéma</b>	<b>Part No. N° de pièce</b>	<b>Description</b>	<b>Description</b>
90	1501055E701	COVER, BOTTOM	PANNEAU INFERIEUR
91	310169	SCREW, 1/4-20X .63	VIS 1/4-20X .63
103	1501782 YZ	IDLER ASSEMBLY, AUGER	BRAS DE POULIE LIBRE. ENTRAINEMENT DES LAMES
105	711682	PIN, HAIR .38DIA X 1.64LG	GOUPILLE BETA
106	761761	PIN, CLEVIS 3/16" DIA	GOUPILLE
107	165x159	SPRING, TENSION	RESSORT DE TENSION
108	761675 YZ	ASSY., SPRING ATTACH	PATTE DE FIXATION POUR RESSORT
110	585781	BOLT, 3/8-16X1.25 CARR.	BOULON BLOQUANT 3/8-16X1.25
111	711617	WASHER, FLAT	RONDELLE PLATE
122	25x020	SCREW, TAP 5/16-18 X .50	VIS 5/16-18 X .50
123	25x021	SCREW, TAP 5/16-18 X .75	VIS 5/16-18 X .75
148	1502120	PULLEY, IDLER	PULLIE LIBRE
149	590	NUT 3/8-16	ÉCROU 3/8-16
160	1502184	COVER, BELT	CARTER DES COURROIES
162	26x306	SCREW, TAP	VIS
167	71067	WASHER, FLAT	RONDELLE PLATE
168	1501200	SPACER, AUGER BRACKET	ENTRETOISE, FIXATION DES LAMES CHASSE-NEIGE
169	760539	LID, TOOL BOX	COUVERCLE DE BOITE A OUTILS

**CRAFTSMAN 30" SNOW BLOWER C950524312A**

**REPAIR PARTS**

**CRAFTSMAN 30" CHASSE NEIGE C950524312A PIÈCES DE RECHANGE**

**DRIVE / BÂTI DE MONTAGE DU MOTEUR**



**CRAFTSMAN 30" SNOW BLOWER C950524312A      REPAIR PARTS**  
**CRAFTSMAN 30" CHASSE NEIGE C950524312A PIÈCES DE RECHANGE**  
**DRIVE / BÂTI DE MONTAGE DU MOTEUR**

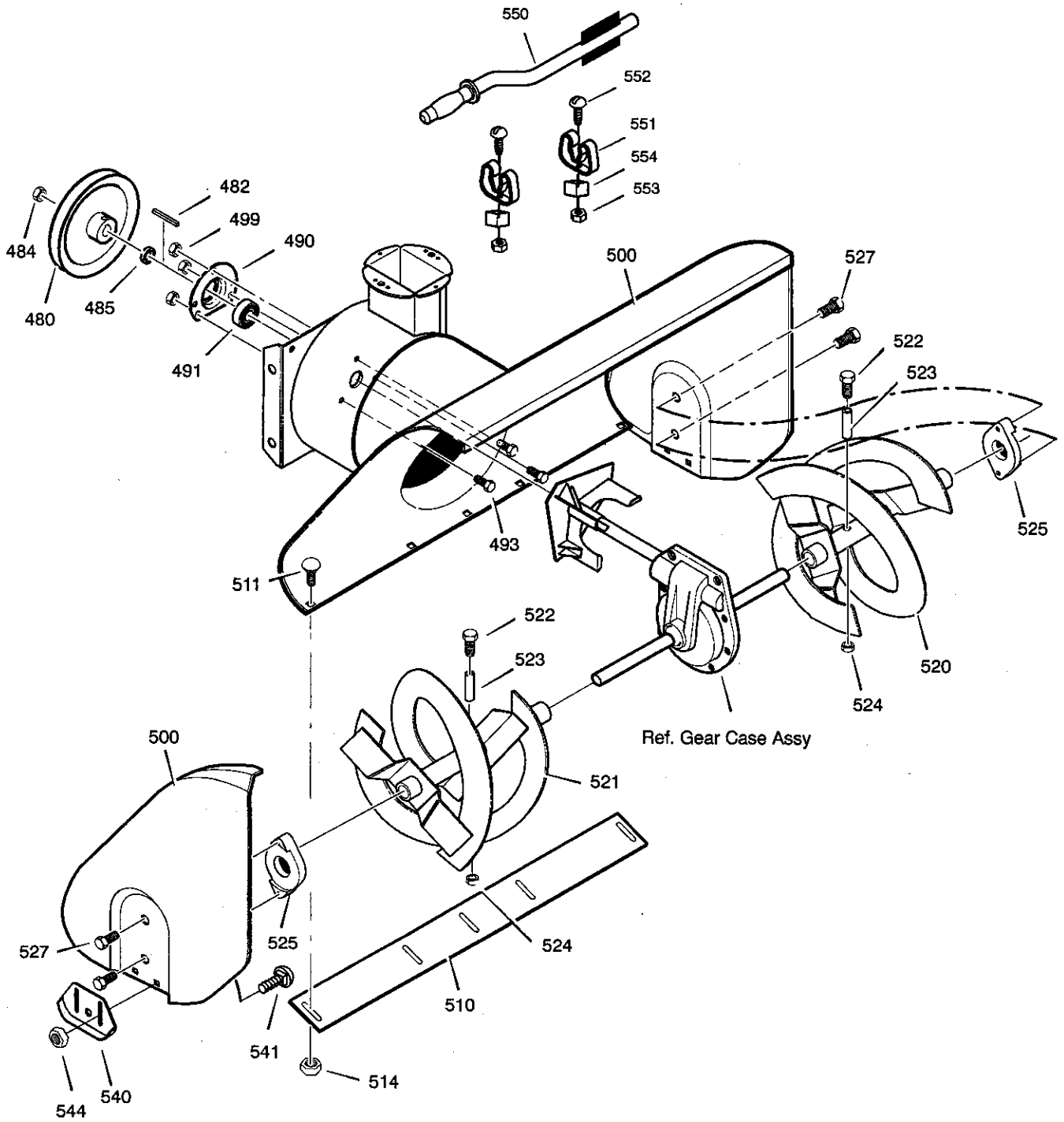
<b>Key No. N° sur le schéma</b>	<b>Part No. N° de pièce</b>	<b>Description</b>	<b>Description</b>
200	1501092 YZ	LF AXLE, SWING PLATE YZ	PANNEAU ARTICULE
201	579851	CHAIN, ROLLER #420 x19.00	CHAÎNE A GALETS #420 x19.00
203	334163	BEARING AND RETAINER, ASSY	ROULEMENT AVEC FIXATION
204	579858	WASHER	RONDELLE
206	25x020	SCREW, TAP 5/16-18x0.5	VIS, 5/16-18x0.5
207	1501236	ASSY, HEX SHAFT	ARBRE HEXAGONAL
208	579868	CHAIN, ROLLER #420 x18.00 LG	CHAINE A GALETS #420 x18.00 LG
210	337029	BEARING, TRUNION CLUTCH R	PALIER
212	1501435	WHEEL, FRICTION DISC	ROUE DE FRICTION
213	001X38	BOLT	BOULON
215	303008	NUT, KEPS HEX 1/4-20	ECROU 6 PANS 1/4-20
217	579859	RING, RETEXT	CIRCLIP
218	579858	WASHER	RONDELLE
220	334163	BEARING AND RETAINER, ASSY	ROULEMENT AVEC FIXATION
221	25x020	SCREW, TAP 5/16-18 x .5	VIS, 5/16-18 x .5
223	1501115	ASSY, FRICTION PULLEY	POULIE, SYSTEME DE FRICTION
225	1501057 YZ	LF PLATE, SWINGING YZ	PANNEAU ARTICULE
226	1501158	SPACER, FRICTION PULLEY	ENTRETOISE DE POULIE, SYSTEME DE FRICTION
227	15x114	NUT, FLANGE LOCK 3/8-24	ECROU A COLLET 3/8-24
229	11x30	RETAINER, RING	CIRCLIP
230	1502105 YZ	LF ASSY, SPRING LINK YZ	TRINGLE D ATTACHE DES RESSORTS
232	11x30	RETAINER, RING	CIRCLIP
234	165x112	SPRING, EXTENSION	RESSORT D'EXTENSION
236	1501237	WLD, INTERMED SPROCKET 33T/7	PIGNON INTERMEDIAIRE 33T/7
238	71074	WASHER, FLAT	RONDELLE PLATE

**CRAFTSMAN 30" SNOW BLOWER C950524312A**

**REPAIR PARTS**

**CRAFTSMAN 30" CHASSE NEIGE C950524312A PIÈCES DE RECHANGE**

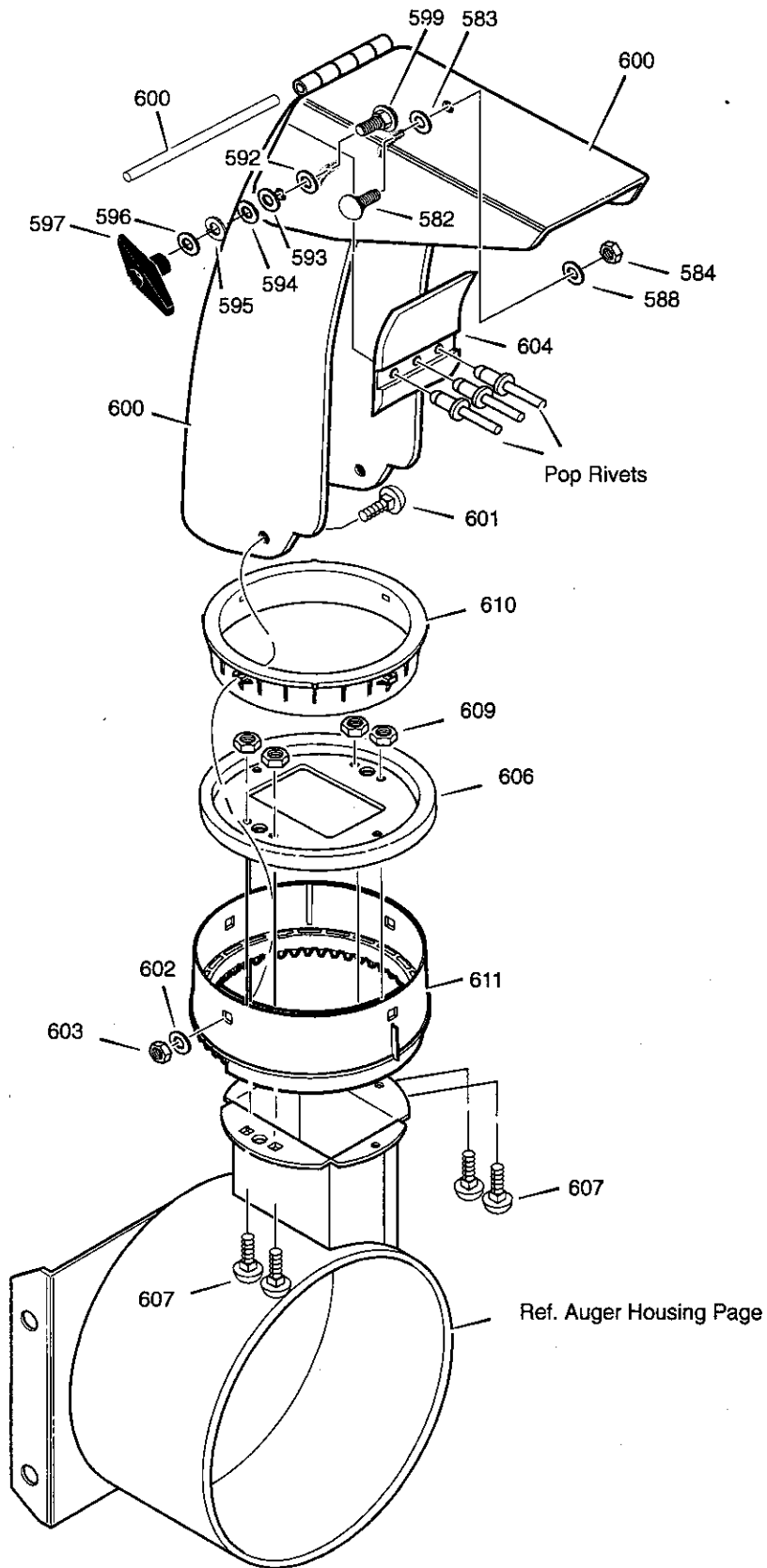
**AUGER HOUSING / VIS SANS FIN**



**CRAFTSMAN 30" SNOW BLOWER C950524312A      REPAIR PARTS**  
**CRAFTSMAN 30" CHASSE NEIGE C950524312A PIÈCES DE RECHANGE**  
**AUGER HOUSING / VIS SANS FIN**

Key No. N° sur le schéma	Part No. N° de pièce	Description	Description
480	583146	PULLEY, 4L 8.40 OD.	POULIE 4L 8.40
482	2001022	KEY, SQUARE 3/16 X 3/4	CLAVETTE A SECTION CARREE 3/16 X 3/4
484	15x112	NUT, .50-20 HEXWDFLLK	ECROU, 6 PANS .50-20
485	1501158	SPACER, FRICTION PULLEY	ENTRETOISE DE POULIE, SYSTEME DE FRICTION
490	582957 YZ	RETAINER, BALL BRNG	CAPUCHON DE ROULEMENT A BILLES
491	1501389	BEARING, BALL	ROULEMENT À BILLES
493	001x92	BOLT, HEX 5/16-18X .50	BOULON 6 PANS 5/16-18X .50
499	710026	NUT, 5/16-18 HEXWDFLLK	ECROU 6 PANS 5/16-18
500	1501695E737	HOUSING, ASSY	CARTER DES LAMES CHASSE-NEIGE
510	760659E701	BLADE, SCRAPER	LAME RACLEUSE
511	001x45	BOLT, 5/16-18x0.62	BOULON 5/16-18x0.62
514	710026	NUT, 5/16-18	ECROU 5/16-18
520	760591E701	AUGER, ASSY, LH	LAME CHASSE-NEIGE (VIS SANS FIN), GAUCHE
521	760592E701	AUGER, ASSY, RH	LAME CHASSE-NEIGE (VIS SANS FIN), DROITE
522	9524	SCREW, 1/4-20X1.75	VIS 1/4-20X1.75
523	3943	SPACER, SLEEVE	ENTRETOISE
524	73826	NUT, 1/4-20	ECROU 1/4-20
525	53757	BEARING, FLANGE	PALIER A BRIDE
527	25x021	SCREW, 5/16-18X .75	VIS 5/16-18X .75
540	309016E701	SKID, HEIGHT ADJUST	PATIN REGLABLE
541	340720	BOLT, 5/16-18 X .75	BOULON 5/16-18 X .75
544	710026	NUT, 5/16-18	ECROU 5/16-18
550	1501576	BRUSH, CLEANOUT	OUTIL DE NETTOYAGE
551	1501672	CLIP, RETAINER	PINCE
552	06x115	SCREW	VIS
553	15x146	NUT	ECROU
554	578063	BLOCK	BLOQUE
--	1501216	KIT, SHEAR BOLT	KIT, BOULON DE CISAILLEMENT
--	680230 Z	WRENCH	CLÉ

**CRAFTSMAN 30" SNOW BLOWER C950524312A      REPAIR PARTS**  
**CRAFTSMAN 30" CHASSE NEIGE C950524312A PIÈCES DE RECHANGE**  
**DISCHARGE CHUTE / DÉFLECTEUR DE GOULOTTE**

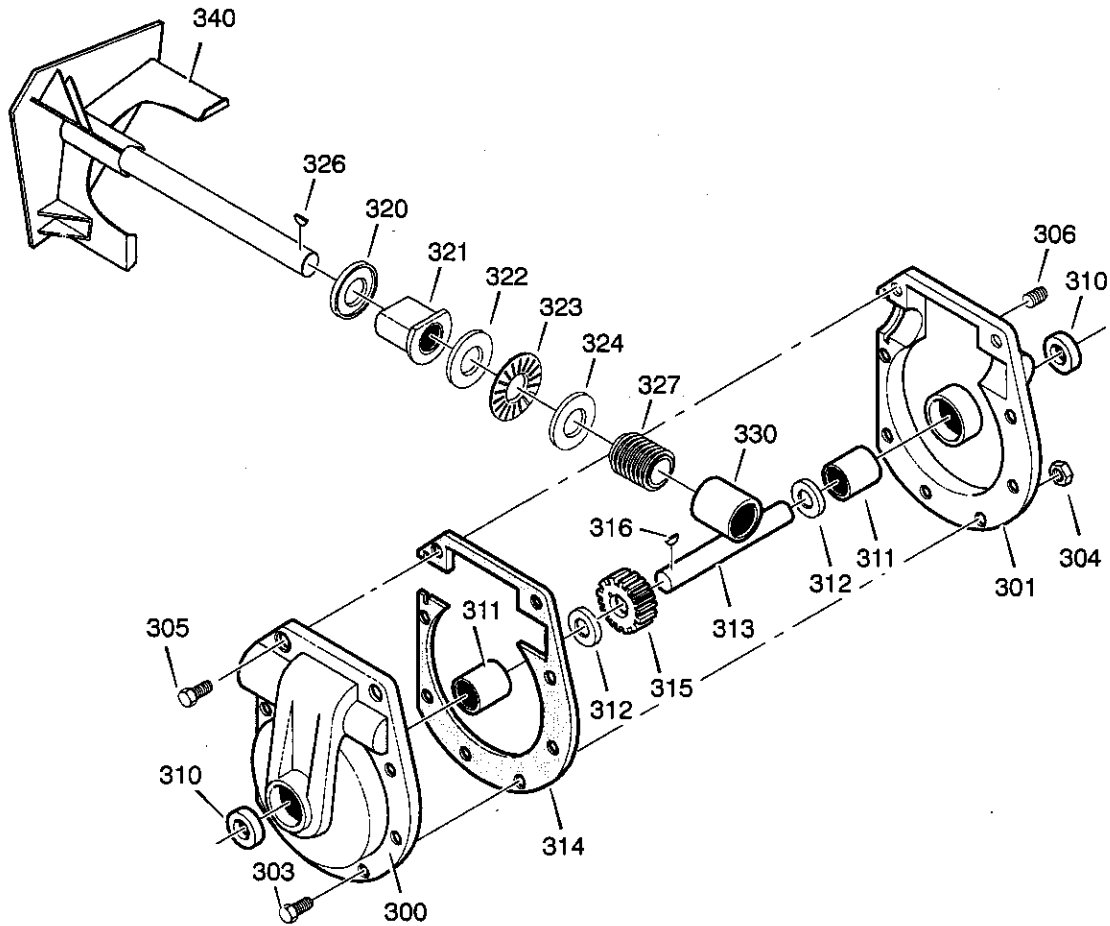


**CRAFTSMAN 30" SNOW BLOWER C950524312A REPAIR PARTS**  
**CRAFTSMAN 30" CHASSE-NEIGE C950524312A PIÈCES DE RECHANGE**  
**DISCHARGE CHUTE / DÉFLECTEUR DE GOULOTTE**

<b>Key No.</b> N° sur le schéma	<b>Part No.</b> N° de pièce	<b>Description</b>	<b>Description</b>
582	340720	BOLT, CARRIAGE 5/16 18 X.75	BOULON AUTOBLOQUANT 5/16 18X.75
583	12021	WASHER, PLASTIC	RONDELLE PLASTIQUE
584	71038	NUT, 5/16 18 REGHEX NYLOCK	ECROU 6 PANS 5/16 18 REGHEX NYLOCK
588	6711	WASHER, PLASTIC	RONDELLE PLASTIQUE
593	6711	WASHER, PLASTIC	RONDELLE PLASTIQUE
594	71071	WASHER, FLAT	RONDELLE PLATE
595	71060	WASHER, SPLIT	RONDELLE FREIN
596	71071	WASHER, FLAT	RONDELLE PLATE
597	57171	KNOB, T 3.00	POIGNEE T 3.00
599	002x97	BOLT, 5/16 18X1.00	BOULON 5/16 18X1.00
600	1502118E701	CHUTE ASSEMBLY	ENSEMBLE DEVERSOIR
601	2x100	BOLT, 5/16 18 X1.00	BOULON 5/16 18X1.00
602	71071	WASHER, FLAT	RONDELLE PLATE
603	71038	NUT, 5/16 18 HEXNYL	ECROU 6 PANS 5/16 18 HEXNYL
604	760268	FLAP, CHUTE	BAVETTE DE DEVERSOIR
606	1501932 YZ	CHUTE COLLAR	COUVERCLE DE COURONNE DE DEVERSOIR
607	02x101	SCREW, 1/4 20 X 0.75	VIS 1/4 20 X 0.75
609	15x145	NUT, 1/4 20 HEX NYLOCK	ECROU 6 PANS 1/4 20 NYLOCK
610	337227	RETAINER RING INNER	COURONNE INTERNE
611	1501282	RETAINER RING OUTER	COURONNE EXTERNE

**CRAFTSMAN 30" SNOW BLOWER C950524312A**  
**CRAFTSMAN 30" CHASSE NEIGE C950524312A**

**REPAIR PARTS**  
**PIÈCES DE RECHANGE**  
**GEAR CASE / BOÎTER**



**Key No.**  
**N° sur le**  
**schéma**

**Part No.**  
**N° de**  
**pièce**

**Description**

300	896	CASE, GEAR, RH
301	895	CASE, GEAR, LH
303	910828	SCREW, 5/16-24 X 1.00
304	71100	NUT, 5/16-24
305	330434	SCREW, 5/16-24 X 1.50
306	53749	PLUG, PIPE
310	780151	SEAL, OIL
311	53743	BEARING
312	53748	WASHER, FLAT
313	760527	SHAFT, AUGER OUTPUT
314	897	GASKET, GEAR BOX
315	53730	WORM GEAR
316	73905	KEY, WOODRUFF #91
320	53737	RING, QUAD
321	583126	BEARING, FLANGE
322	48275	WASHER, FLANGE
323	50684	BEARING, ROLLER
324	48275	WASHER, FLAT
326	50795	KEY
327	53732	GEAR, WORM
330	53731	BEARING
340	1501147E701	IMPELLER
--	333431	10oz TUBE LUBRIPLATE

**Description**

BOÎTER CÔTÉ DROIT
BOÎTER CÔTÉ GAUCHE
VIS, 5/16-24 X 1.00 PO.
ÉCROU, 5/16-24
VIS, 5/16-24 X 1.50
PRISE DE PIPE
JOINT À LÈVRE
PALIER
RONDELLE PLATE
ARBRE DE VIS SANS FIN
JOINT PLAT
PIGNON
CLAVETTE DEMI-LUNE No. 91
ANNEAU DE QUADRUPLE
PALIÉR
RONDELLE
PALIER
RONDELLE, PLATE
CLAVETTE
PIGNON
PALIER
ARBRE DE LA TURBINE
10oz LUBRIPLATE

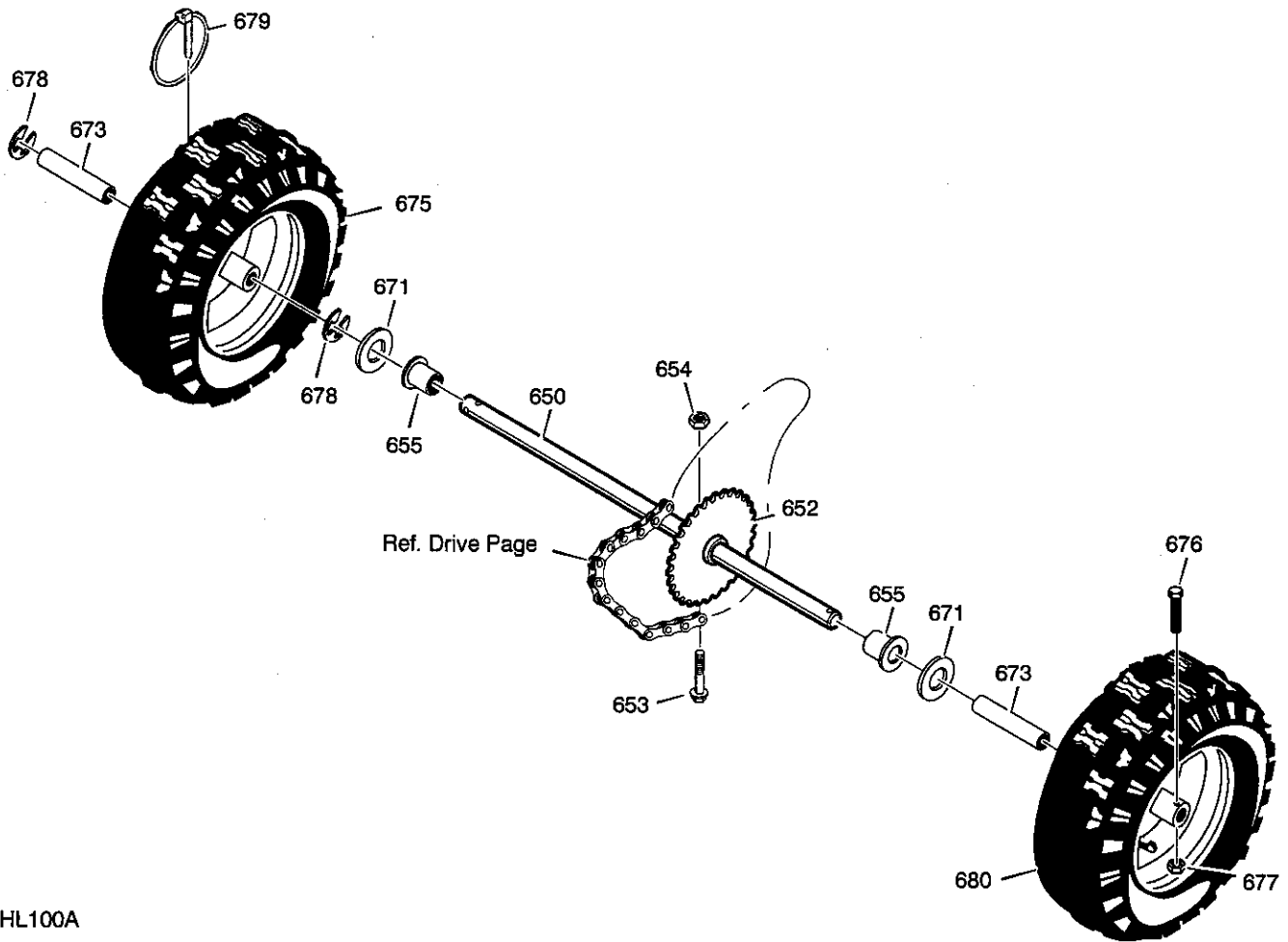
\* (NOT ILLUSTRATED)

\* (NON ILLUSTRÉ)



**CRAFTSMAN 30" SNOW BLOWER C950524312A**  
**CRAFTSMAN 30" CHASSE NEIGE C950524312A**

**REPAIR PARTS**  
**PIÈCES DE RECHANGE**  
**WHEELS / ROUE**



WHL100A

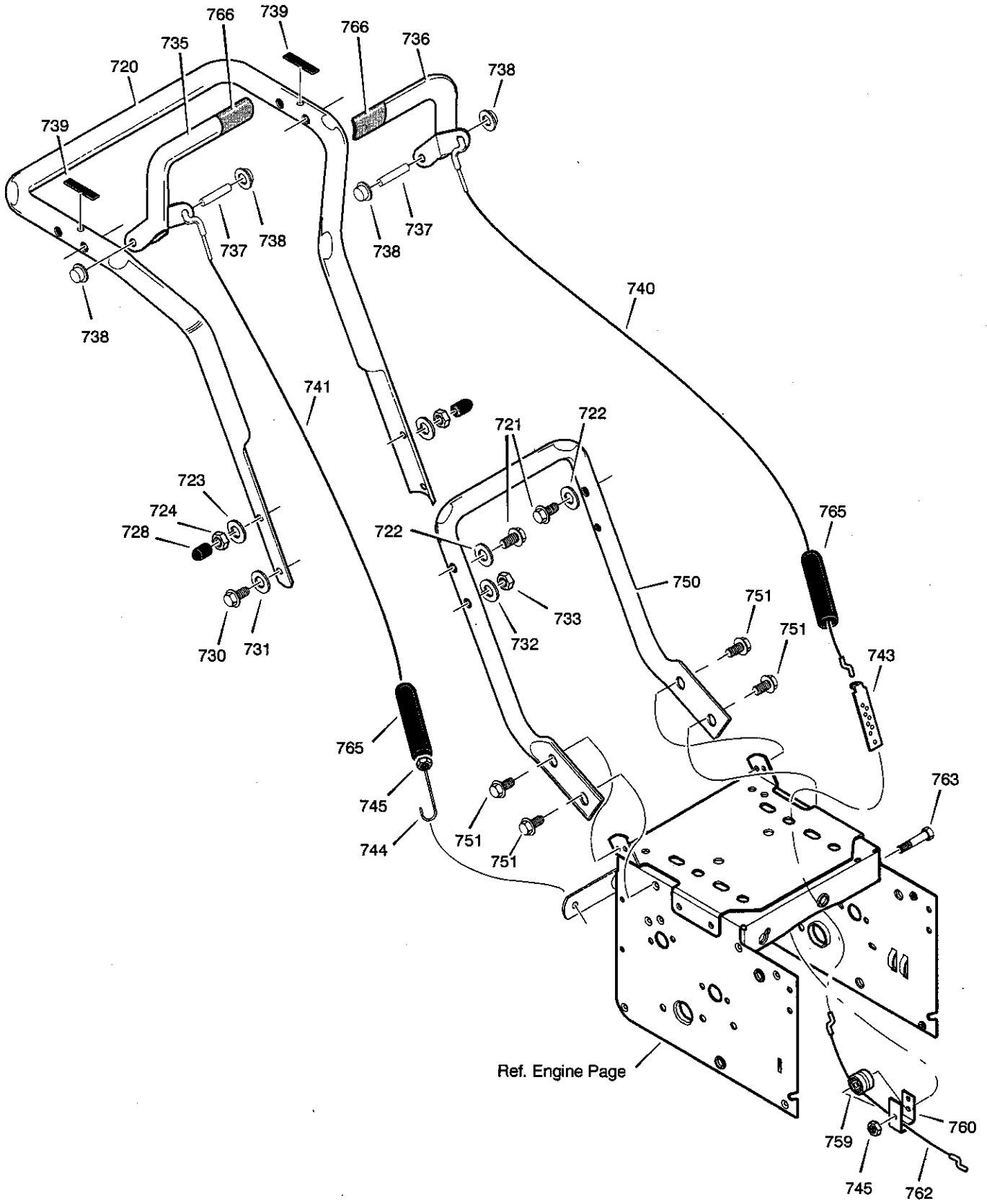
Key No. N° sur le schéma	Part No. N° de pièce	Description	Description
650	1501563 YZ	SHAFT, AXLE	D'ARBRE, ROUE
652	1501089	SPRKT & HUB	ROUE DENTÉE MONTAGE
653	01x193	SCREW, 1/4-20 x 1.75	VIS, 1/4-20X 1.75 PO.
654	15x145	NUT, 1/4-20 HEX NYLOCK	ÉCROU, 1/4-20
655	1501114	BEARING, AXLE	PALIER
671	017x83	WASHER, FLAT	RONDELLE PLATE
673	1501138	BUSHING, WHEEL	PALIER.
675	1501808	TIRE & RIM, RIGHT	ROUE MONTAGE, GAUCHE
676	577015	SCREW, 1/4-20X1.75 HH	VIS, 1/4-20X1,75 PO.
677	15x145	NUT, 1/4-20 HEX NYLOCK	ÉCROU, 1/4-20
678	239	RING, RET	RONDELLE DE RETENUE
679	73842	PIN, KLIK .25 X 1.38 DIA	GOUPILLE À ANNEAU
680	1501809	TIRE & RIM, LEFT	ROUE MONTAGE, DROIT

**CRAFTSMAN 30" SNOW BLOWER C950524312A**

**REPAIR PARTS**

**CRAFTSMAN 30" CHASSE NEIGE C950524312A PIÈCES DE RECHANGE**

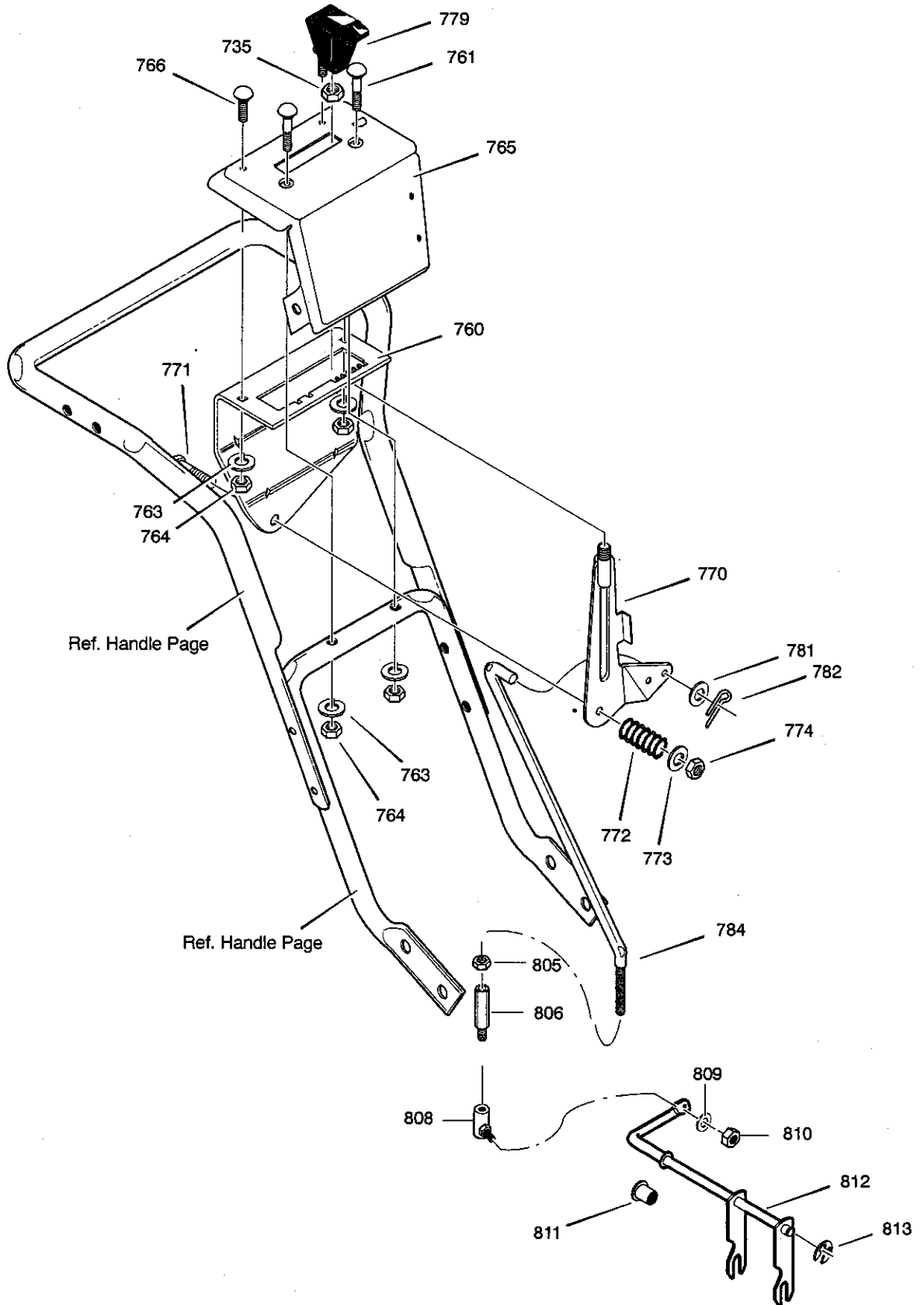
**HANDLE / POIGNÉE**



**CRAFTSMAN 30" SNOW BLOWER C950524312A      REPAIR PARTS**  
**CRAFTSMAN 30" CHASSE NEIGE C950524312A PIÈCES DE RECHANGE**  
**HANDLE / POIGNÉE**

<b>Key No. N° sur le schéma</b>	<b>Part No. N° de pièce</b>	<b>Description</b>	<b>Description</b>
720	310614E701	HANDLE, UPPER	POIGNEE, PARTIE SUPERIEURE
721	7288	SCREW, 3/8-16 X 3	VIS 3/8-16 X 3
722	71072	WASHER, FLAT	RONDELLE PLATE
723	71062	WASHER	RONDELLE
724	71044	NUT, 3/8-16	ECROU 3/8-16
728	7289	STOP, PLASTIC	CAPUCHON, PLASTIQUE
730	71007	SCREW, 3/8-16 X 2	VIS 3/8-16 X 2
731	71072	WASHER, FLAT	RONDELLE PLATE
732	71062	WASHER	RONDELLE
733	71044	NUT, 3/8-16	ECROU 3/8-16
735	5146E701	HANDLE, RIGHT	POIGNÉE, DROIT
736	5142E701	HANDLE, LEFT	POIGNÉE, CAUCHE
737	760074	PIN, PIVOT CLUTCH	AXE DE MANETTE DE COMMANDE
738	3535	NUT, PUSH ON CAP	ECROU BORGNE
739	4049	BUMPER, RECTANGLE	PATIN RECTANGULAIRE
740	1502113	CABLE, DRIVE	CÂBLE, COMMANDE DU SYSTEME DE TRACTION
741	761872	CABLE, AUGER CLUTCH	CÂBLE, COMMANDE DES LAMES CHASSE-NEIGE
743	313441	BRACKET, CABLE ADJUSTER	PIECE DE REGLAGE DU CABLE, SYSTEME DE TRACTION
744	1673	SPRING, AUGER CLUTCH	RESSORT DE CABLE, COMMANDE DES LAMES
745	15x145	NUT, 1/4-20	ECROU 1/4-20
750	1501449E701	HANDLE, LOWER	POIGNEE, PARTIE INFERIEURE
751	25x021	SCREW, TAP 5/16-18 X .75	VIS 5/16-18 X .75
759	579860	SPOOL-CABLE, AUGRT CLUTCH	BOBINE DE PASSAGE DE CABLE, COMMANDE DES LAMES
760	1501059 YZ	BRACKET, CABLE SPOOL YZ	ATTACHE DE LA BOBINE DE PASSAGE DE CABLE
762	1501122	CABLE, LOWER DRIVE 12"	CABLE, PARTIE BASSE 12", COMMANDE DES LAMES
763	001798	BOLT, HEX 1/4-20 X 1.5	BOULON 1/4-20X1.5
765	308146	BOOT, CLUTCH SPRING	GAINÉ DE RESSORT, SYSTEME DE TRACTION
766	333928	GRIP	POIGNEE

**CRAFTSMAN 30" SNOW BLOWER C950524312A      REPAIR PARTS**  
**CRAFTSMAN 30" CHASSE NEIGE C950524312A PIÈCES DE RECHANGE**  
**CONTROL PANEL / PANNEAU DE COMMANDE**



**CRAFTSMAN 30" SNOW BLOWER C950524312A      REPAIR PARTS**  
**CRAFTSMAN 30" CHASSE NEIGE C950524312A PIÈCES DE RECHANGE**  
**CONTROL PANEL / PANNEAU DE COMMANDE**

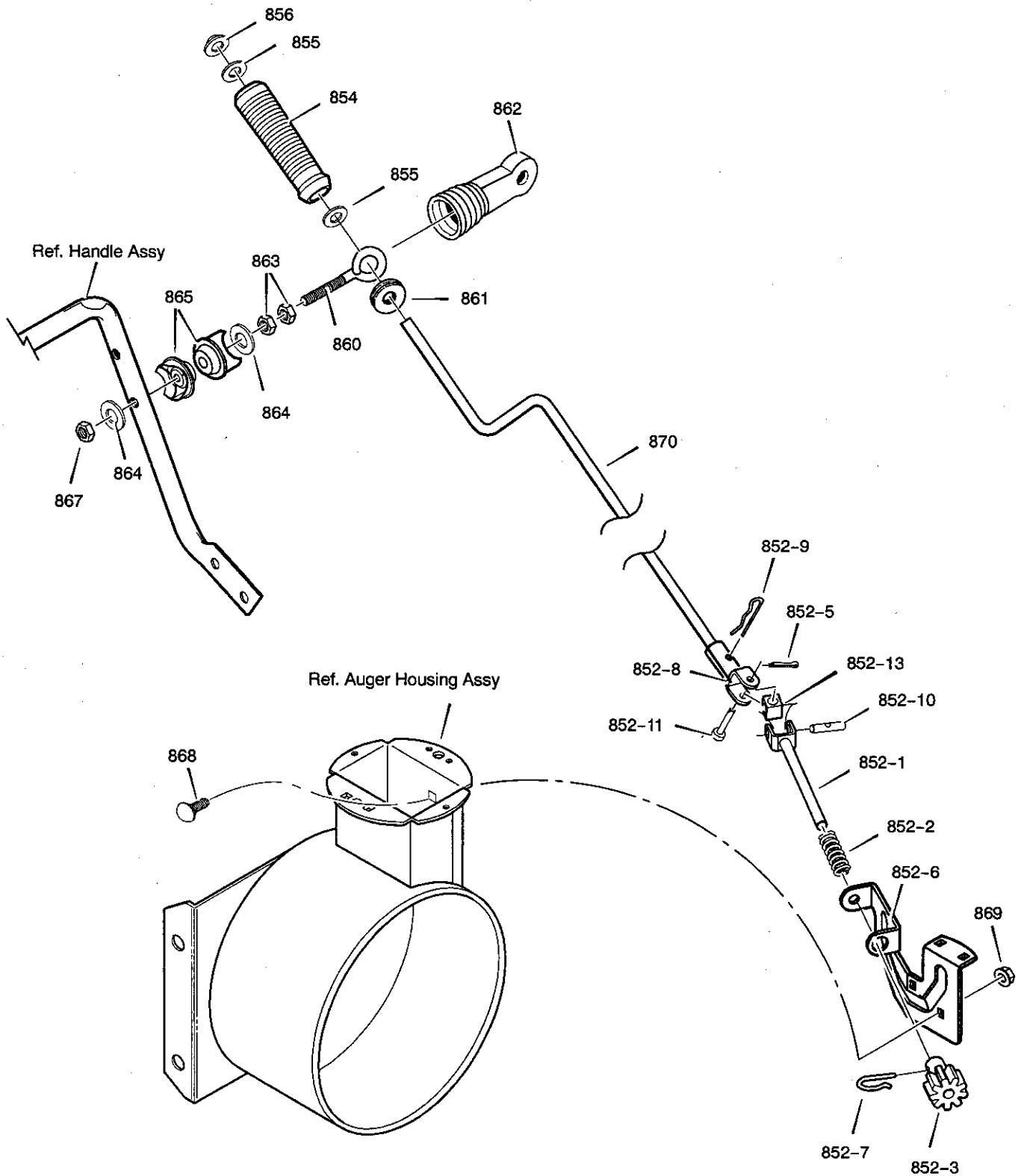
<b>Key No. N° sur le schéma</b>	<b>Part No. N° de pièce</b>	<b>Description</b>	<b>Description</b>
735	71045	NUT, 3/8-16 HEXJAM	ÉCROU, 3/8-16
760	308905E701	BRACKET, SHIFT CONTROL	SUPPORT DU LEVIER DE COMMANDE
761	762148	CARR. BOLT, 1/4-20 X 2	BOULON, 1/4-20 X 2
763	71059	WASHER, SPLIT	RONDELLE-FREIN
764	71034	NUT, 1/4-20 HEX	CONTRE-ÉCROU 1/4-20
765	6056E737	CONTROL PANEL	PANNEAU DE COMMANDE
766	3809	CARR. BOLT, 1/4-20 X 0.63	BOULON, 1/4-20 X 0.63 PO.
770	305260E701	SHIFT LEVER ASSY	LEVIER DE COMMANDE MONTAGE
771	302900	SCREW, 5/16-18X1.75	VIS, 5/16-18X1,75 PO.
772	50786	SPRING	RESSORT
773	71071	FLATWASHER	RONDELLE PLATE
774	71038	NUT, 5/16-18 NYLON HEX	ÉCROU INDESSERRABLE 5/16-18
779	304437	GRIP	POMMEAU
781	71071	WASHER, FLAT .349X.69X.066	RONDELLE PLATE
782	71081	PIN, COTTER	GOUPILLE, FENDUE
784	1582019	ROD, SPEED CONTROL	TIGE DE COMMANDE DE VITESSE
805	71042	NUT, 5/16-18	ÉCROU
806	6352	ADAPTER, SPEED ROD -YZ	ADAPTATEUR, TIGE DE COMMANDE DE LA VITESSE -YZ
808	50782	BALLJOINT, STEEL -YZ	ROTULE EN ACIER -YZ
809	71060	WASHER	RONDELLE
810	71042	NUT, 5/16-24	ÉCROU
811	579944	FLANGED BEARING	PALIER
812	1501110 YZ	ROD ASSY, YOKE PANEL	LEVIER DE CHANGEMENT DE VITESSE
813	11X30	RING, RETAINER	CIRCLIP

CRAFTSMAN 30" SNOW BLOWER C950524312A

REPAIR PARTS

CRAFTSMAN 30" CHASSE NEIGE C950524312A PIÈCES DE RECHANGE

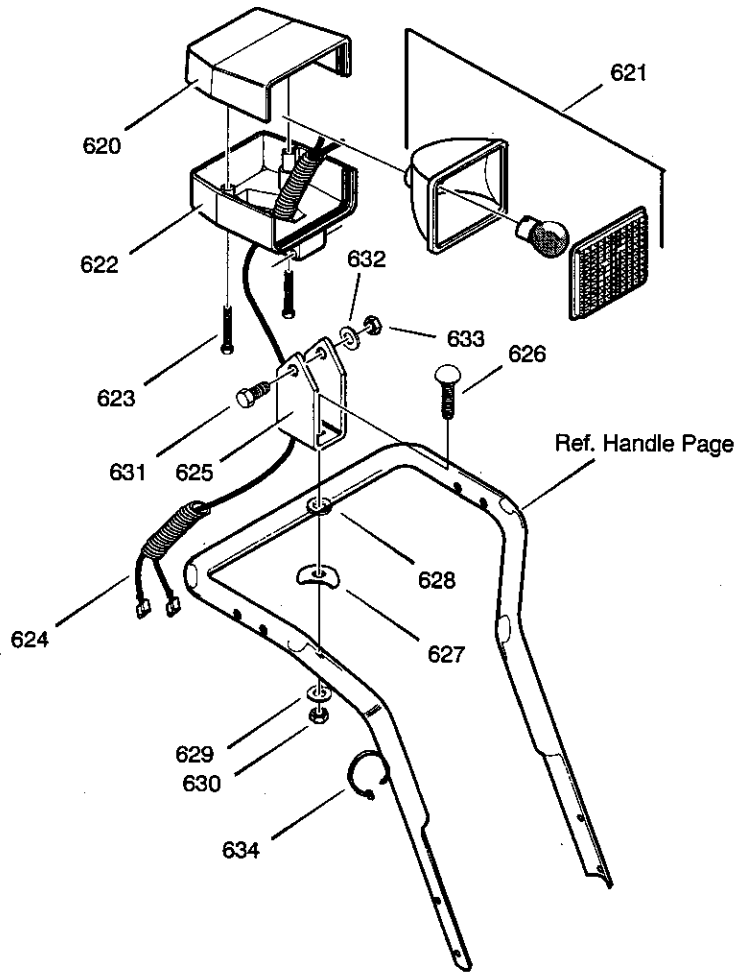
CHUTE ROD / GOULOTTE TIGE



**CRAFTSMAN 30" SNOW BLOWER C950524312A      REPAIR PARTS**  
**CRAFTSMAN 30" CHASSE NEIGE C950524312A PIÈCES DE RECHANGE**  
**CHUTE ROD / GOULOTTE TIGE**

<b>Key No. N° sur le schéma</b>	<b>Part No. N° de pièce</b>	<b>Description</b>	<b>Description</b>
852-1	1501533 YZ	ASSEMBLY, YOKE & ROD	ENSEMBLE TRINGLE-CHAPE
852-2	164x37	SPRING	RESSORT
852-3	1501067	GEAR, CHUTE ROTATION 9T	PIGNON DE ROTATION DU DEVERSOIR
852-5	579493	PIN, COTTER	GOUPILLE FENDUE
852-6	1501306E701	BRACKET, CHUTE GEAR	PATTE DE FIXATION DU PIGNON
852-7	1501293	PIN, HAIR	GOUPILLE
852-8	1501075 YZ	ASSEMBLY, YOKE ADAPTER YZ	ENSEMBLE ADAPTATEUR-CHAPE
852-9	711682	PIN, HAIR	GOUPILLE BETA
852-10	578060	PIN, UNIVERSAL JOINT	GOUPILLE DE JOINT UNIVERSEL
852-11	578309	PIN, CLEVIS	GOUPILLE DE CHAPE
852-13	578063	HOUSING, UNIVERSAL	CAPUCHON DE JOINT UNIVERSEL
854	307399	KNOB, SLEEVE	POIGNEE DE MANIVELLE
855	309312	FLATWASHER	RONDELLE PLATE
856	73664	NUT, PUSH ON 3/8"	CAPUCHON 3/8"
860	1501456	EYE BOLT 3/8-16X6.00	BOULON A OEIL 3/8-16X6.00
861	148	GROMMET, EYE BOLT	OEILLET
862	1501457	BOOT, EYE BOLT	BOUTIE
863	71045	NUT, 3/8-16 HEXJAM	CONTRE-ECROU 6 PANS 3/8-16 HEXJAM
864	71072	FLATWASHER .406X.81X.066	RONDELLE PLATE .406X.81X.066
865	309344	ADAPTER, BOOT	ADAPTATEUR
867	71046	NUT, 3/8-16 HEXNYL	ECROU 6 PANS 3/8-16 HEXNYL
868	002x98	BOLT, CARRIAGE 1/4-20 X 1.00	BOULON AUTOBLOQUANT 1/4-20X1.00
869	15x145	NUT, 1/4-20	ÉCROU
870	1501074 YZ	CRANK, ASSY CHUTE	MANIVELLE DE DEVERSOIR

**CRAFTSMAN 30" SNOW BLOWER C950524312A      REPAIR PARTS**  
**CRAFTSMAN 30" CHASSE NEIGE C950524312A PIÈCES DE RECHANGE**  
**HEADLIGHT / MONTAGE DU PHARE**



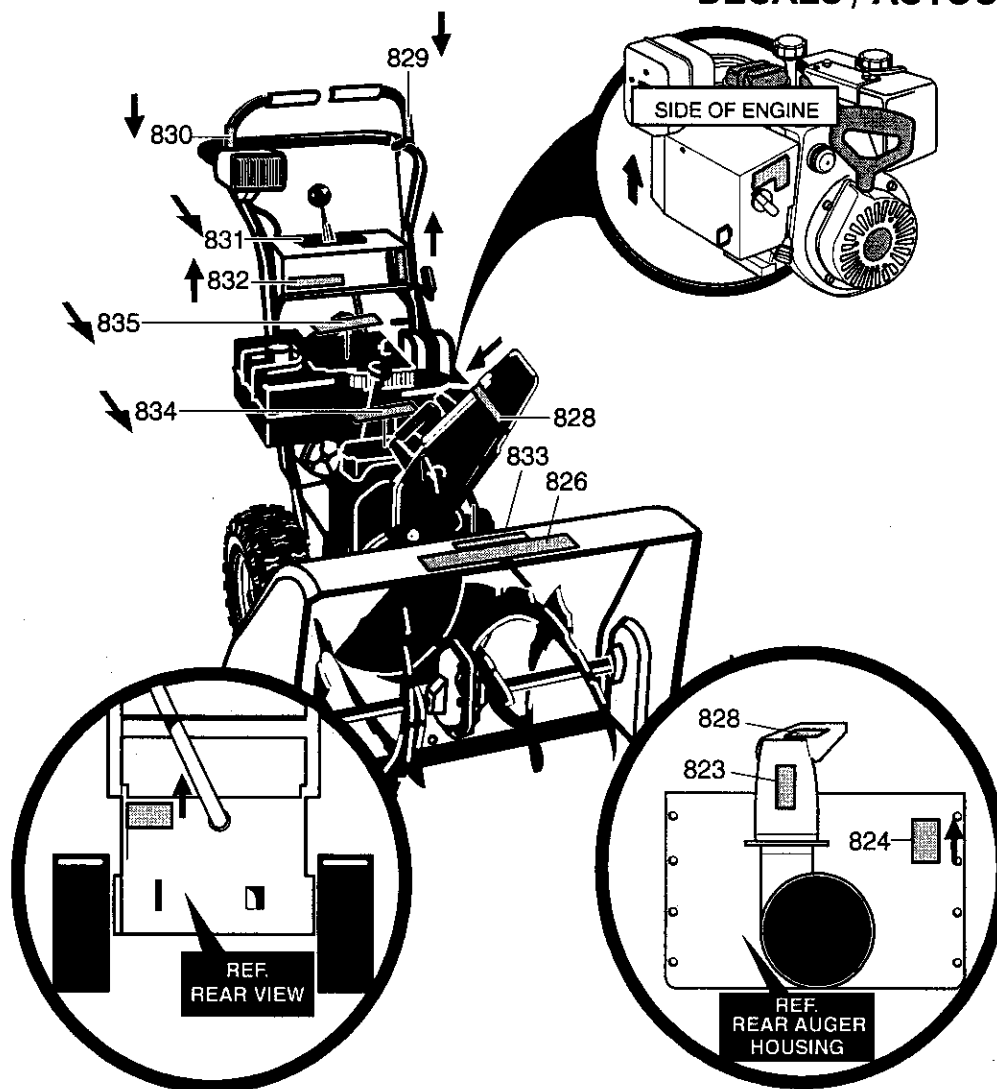
Key No. N° sur le schéma	Part No. N° de pièce	Description	Description
620	583490	HOUSING, HEADLIGHT UPPER	BOÎTER SUPÉRIEUR DU PHARE
621	762343	HEADLIGHT, ASSY *	MONTAGE DU PHARE *
622	1501514	HOUSING, HEADLIGHT LOWER	BOÎTER INFÉRIEUR DU PHARE
623	307781	SCREW, #8X1.75	VIS, #8 X 1,75 PO.
624	1501455	WIRING HARNESS, HALOGEN	FILS ÉLECTRIQUES DU PHARE, HALOGÈNE
625	4029 YZ	BRACKET, HEADLIGHT	SUPPORT MONTAGE DU PHARE
626	002X88	BOLT, CARRIAGE - 5/16-18X2.00	BOULON MÉCANIQUE 5/16-18X2,00 PO.
627	580527	WASHER, SADDLE	RONDELLE CINTRÉE
628	71061	WASHER, EXLK .32X.60X.040	RONDELLE ,32X,60X,040
629	71060	WASHER, SPTLK .31X.58X.08	RONDELLE FENDUE ,31X,58X,08
630	15x144	NUT, 5/16-18 REGHEX	ÉCROU, 5/16-18
631	235	SCREW, 5/16-18X2.00	VIS, 5/16-18X2,00 PO.
632	71060	WASHER, SPTLK	RONDELLE FENDUE
633	15x144	NUT, 5/16-18 REGHEX	ÉCROU, 5/16-18
634	66426	TIE, CABLE	CABLE DE BRIDE

\* For replacement bulb, use Standard GE or Phillips #894. \* Pour l'ampoule de rechange, employez la GE standard ou #894 Phillips.



**CRAFTSMAN 30" SNOW BLOWER C950524312A**  
**CRAFTSMAN 30" CHASSE NEIGE C950524312A**

**REPAIR PARTS**  
**PIÈCES DE RECHANGE**  
**DECALS / AUTOCOLLANTS**



**Key No.**  
 N° sur le schéma

**Part No.**  
 N° de pièce

**Description**

**Description**

823	48x5966	DECAL, DANGER CHUTE HAND	AUTOCOLLANT, DANGER MAINS, ÉJECTION
824	48x5968	DECAL, DANGER FOOT	AUTOCOLLANT, DANGER PIEDS
826	48x5958	DECAL, CRAFTSMAN 11.5/30	AUTOCOLLANT, CRAFTSMAN 11.5/30
828	48x5579	DECAL, THROWN OBJECTS	AUTOCOLLANT, PROJECTION D'OBJETS
829	48x5593	DECAL, DRIVE CLUTCH	AUTOCOLLANT, EMBRAYAGE ROUES
830	48x5594	DECAL, AUGER CLUTCH	AUTOCOLLANT, EMBRAYAGE FRAISE
831	327921	DECAL, GEAR SELECTOR	AUTOCOLLANT, SÉLECTEUR VITESSE
832	48x5565	DECAL, CRAFTSMAN	AUTOCOLLANT, CRAFTSMAN
833	48x5960	DECAL, CLEAN & CLEAR BRUSH	AUTOCOLLANT, BROSSSE À NETTOYER/DÉBLAYER
834	761048	DECAL, TOOLBOX INFORMATION	AUTOCOLLANT, INSTRUCTIONS BOÎTE À OUTILS
835	340568	DECAL, SPEED SELECT	AUTOCOLLANT, SÉLECTEUR VITESSE
--	48x5993	DECAL, O.P.E.I.	AUTOCOLLANT, O.P.E.I.
--	401428	MANUAL, OWNER'S	MANUEL D'UTILISATION

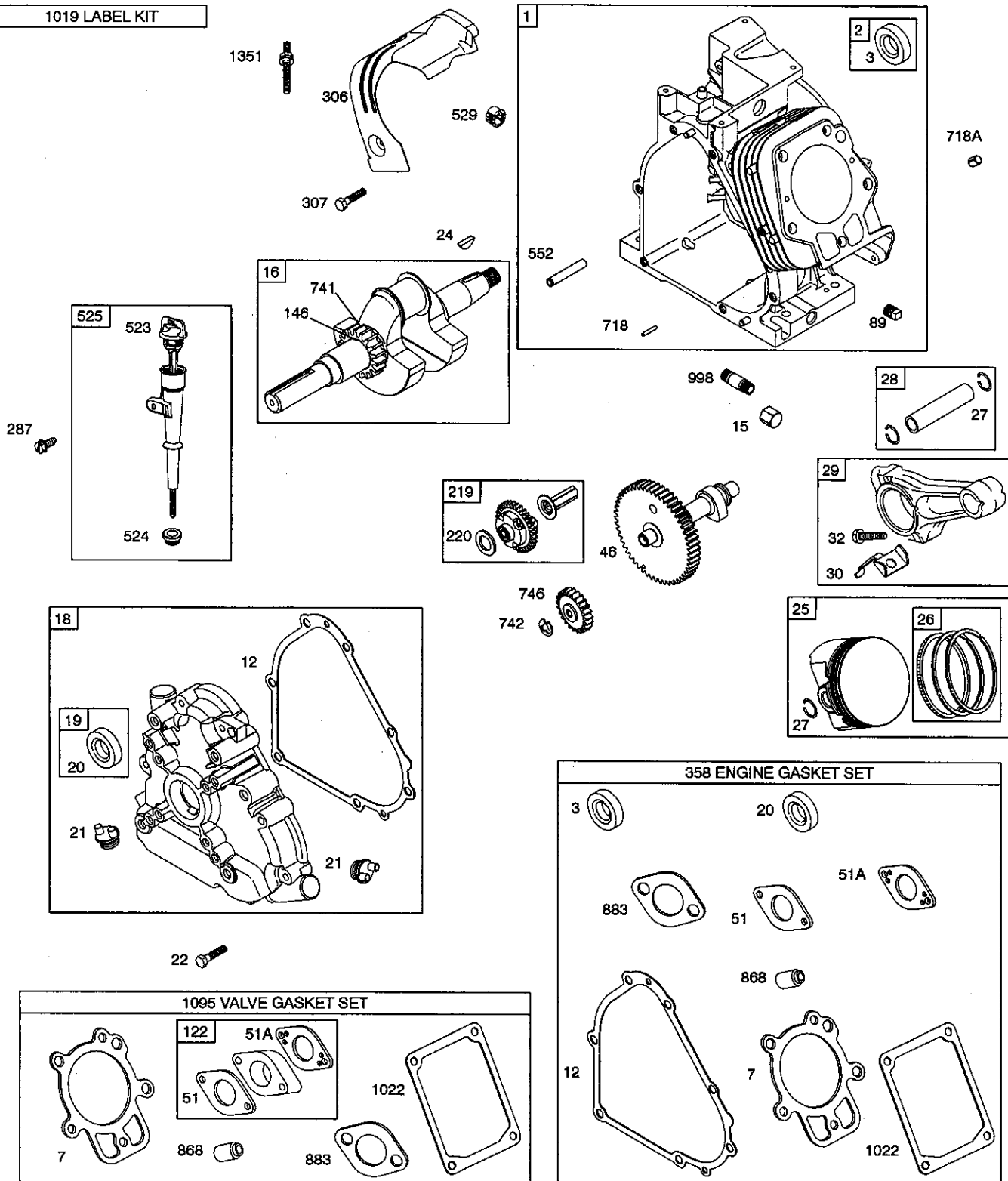
# BRIGGS AND STRATTON ENGINE 21C114-0370-E1

## MOTEUR BRIGGS AND STRATTON 21C114-0370-E1

# REPAIR PARTS

## PIÈCES DE RECHANGE

1019 LABEL KIT



**Assemblies include all parts shown in frames.**  
**Les assemblages comprennent toutes les pièces illustrées dans les encadrements.**

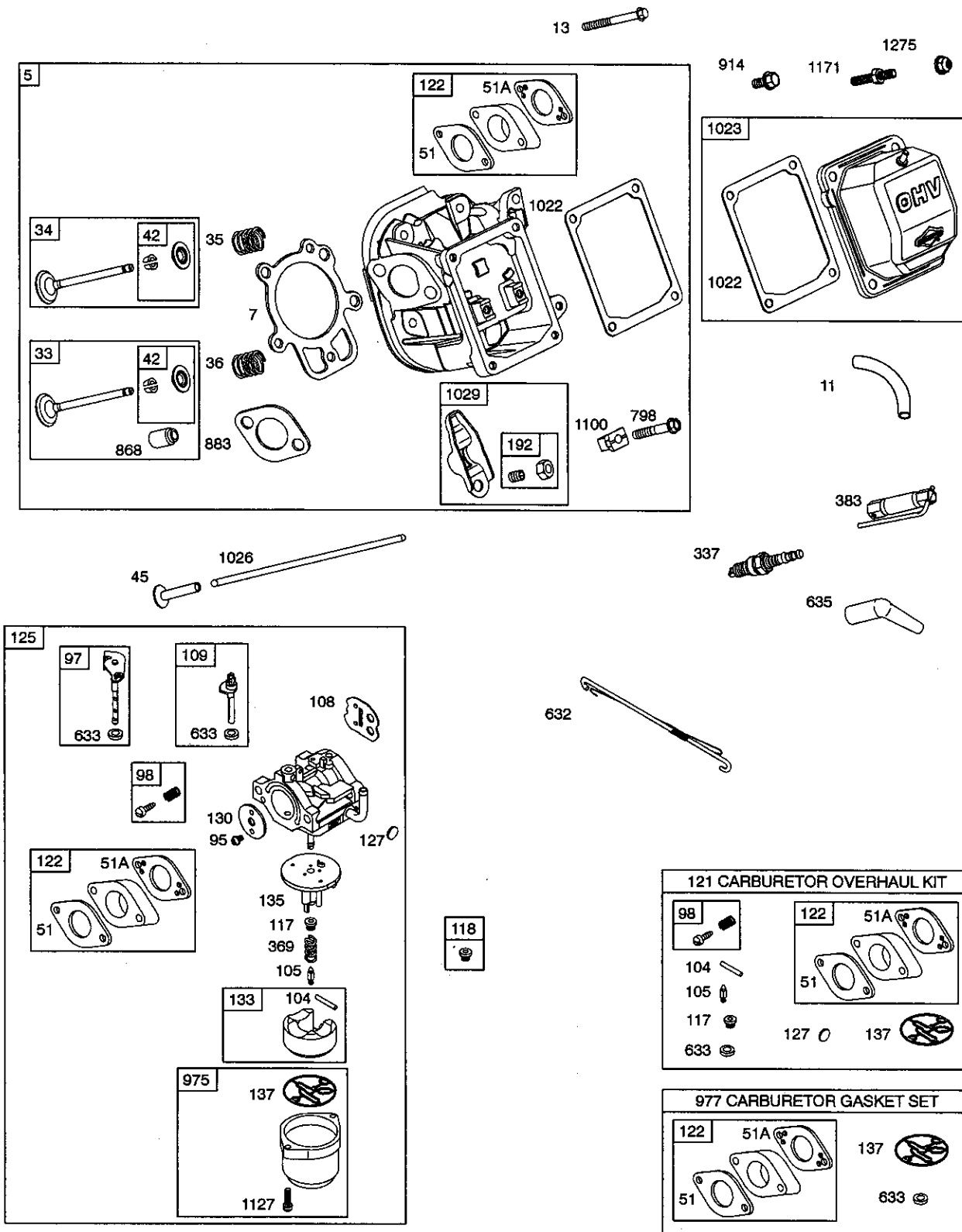
# BRIGGS AND STRATTON ENGINE 21C114-0370-E1 REPAIR PARTS

## MOTEUR BRIGGS AND STRATTON 21C114-0370-E1 PIÈCES DE RECHANGE

Key No. N° sur le schéma	Part No. N° de pièce	Description	Description
1	697702	Cylinder Assembly	Cylindre
2	698340	Kit-Bushing/Seal (Magneto Side)	Kit -entretoise/joint (face magnéto)
3	*391086	Seal-Oil (Magneto Side)	Joint à huile (face magnéto)
7	*Δ697690	Gasket-Cylinder Head	Joint de culasse
12	*694953	Gasket-Crankcase	Joint de bloc-cylindre
15	695757	Plug-Oil Drain	Vis de vidange
16	696412	Crankshaft	Vilebrequin
18	696914	Cover-Crankcase	Carter de vilebrequin
19	698340	Kit-Bushing/Seal (PTO Side)	Kit -entretoise/joint (face prise de force)
20	*391086	Seal-Oil (PTO Side)	Joint à huile (face prise de force)
21	281658	Cap-Oil Fill	Bouchon - remplissage d'huile
22	695174	Screw (Crankcase Cover/Sump)	Vis (carter de vilebrequin/cuve)
24	222698	Key-Flywheel	Clé - volant d'inertie
25	697693	Piston Assembly (Standard)	Piston (standard)
		----- Note -----	----- Remarque -----
		697695: Piston Assembly (.020" Oversize)	697695: Piston (0,020" surdimensionné)
26	697692	Ring Set (Standard)	Jeu de segments (standard)
		----- Note -----	----- Remarque -----
		697698: Ring Set (.020" Oversize)	697698: Jeu de segments (0,020" surdimensionné)
27	690975	Lock-Piston Pin	Verrouillage - axe de piston
28	696581	Pin-Piston	Goupille - piston
29	694691	Rod-Connecting	Tringle de raccord
30	694692	Dipper-Connecting Rod	Plongeur - tringle de raccord
32	690976	Screw (Connecting Rod)	Vis - (tringle de raccord)
46	790496	Camshaft	Arbre à came
51	*Δ♦♦694874	Gasket-Intake	Joint - alimentation
51A	*Δ♦♦694875	Gasket-Intake	Joint - alimentation
89	691685	Plug-Oil Drain	Vis de vidange
122	Δ♦♦694876	Spacer-Carburetor	Entretoise - carburateur
146	690979	Key-Timing	Clé de réglage
219	693578	Gear-Governor	Engrenage de gouverneur
220	691724	Washer (Governor Gear)	Rondelle (engrenage de gouverneur)
287	691693	Screw (Dipstick Tube)	Vis (tube de jauge)
306	697240	Shield-Cylinder	Bouclier de cylindre
307	691660	Screw (Cylinder Shield)	Vis (bouclier de cylindre)
358	695438	Gasket Set-Engine	Jeu de joints - moteur
523	790477	Dipstick	Jauge
524	691876	Seal-O Ring (Dipstick Tube)	Joint torique (tube de jauge)
525	790478	Tube-Dipstick	Tube - jauge
529	791822	Grommet	Passe-fils
552	694674	Bushing-Governor Crank	Entretoise - manivelle de gouverneur
718	690959	Pin-Locating	Goupille de montage
718A	695178	Pin-Locating	Goupille de montage
741	691288	Gear-Timing	Engrenage - réglage
742	692564	Retainer-E Ring	Bague de retenue
746	694679	Gear-Idler	Poulie libre d'engrenage
868	*Δ690968	Seal-Valve	Joint de soupape
883	*Δ695398	Gasket-Exhaust	Joint d'échappement
998	696683	Pipe-Oil	Conduite - huile
1019	790459	Kit-Label	Kit d'étiquettes
1022	*Δ690971	Gasket-Rocker Cover	Joint - cache-culbuteurs
1095	695440	Gasket Set-Valve	Jeu de joints - soupape
1351	790017	Stud (Cylinder Shield)	Goujon (gaine de cylindre)

# BRIGGS AND STRATTON ENGINE 21C114-0370-E1 MOTEUR BRIGGS AND STRATTON 21C114-0370-E1

# REPAIR PARTS PIÈCES DE RECHANGE



Assemblies include all parts shown in frames.  
Les assemblages comprennent toutes les pièces illustrées dans les encadrements.

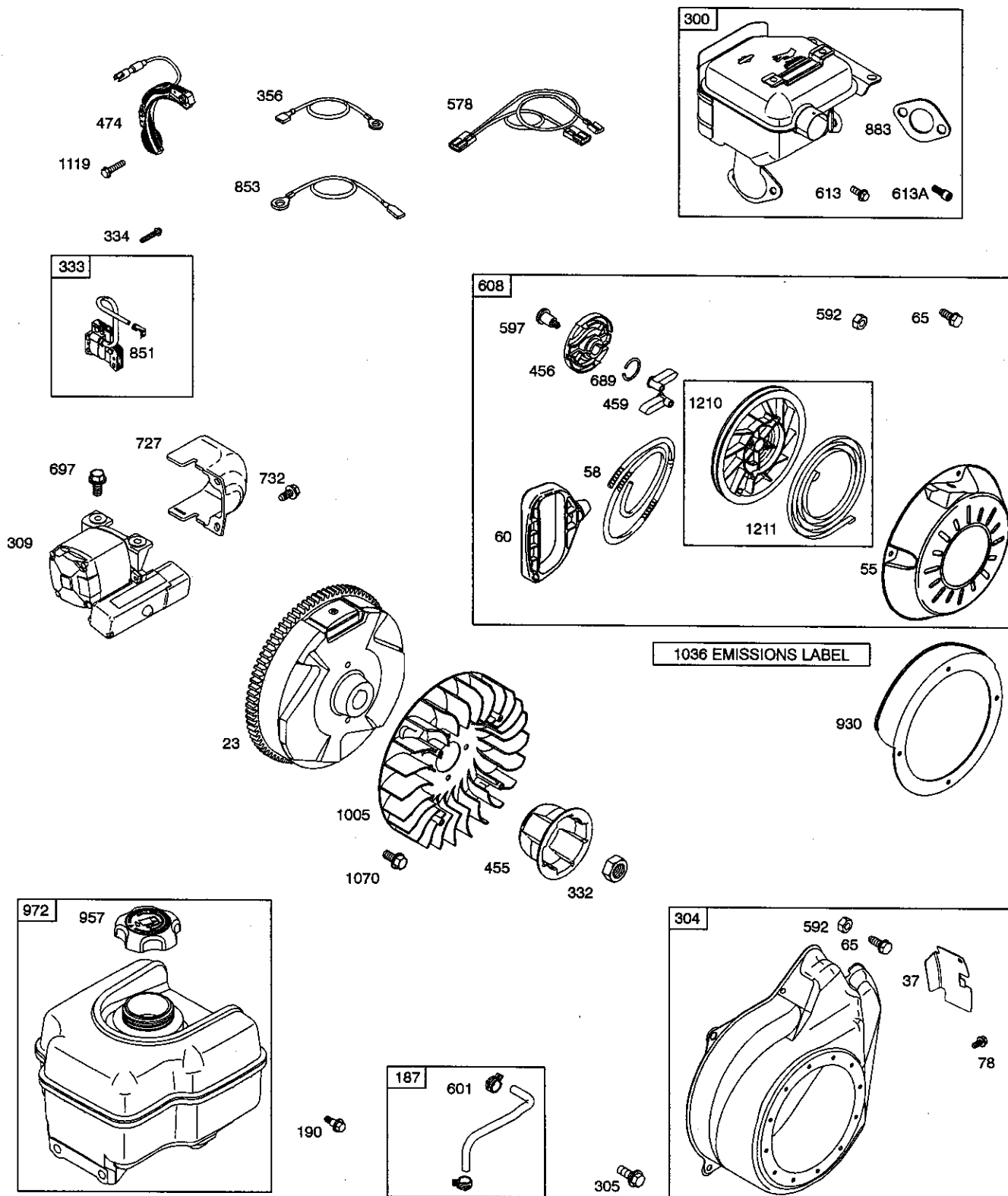
# BRIGGS AND STRATTON ENGINE 21C114-0370-E1 REPAIR PARTS

## MOTEUR BRIGGS AND STRATTON 21C114-0370-E1 PIÈCES DE RECHANGE

Key No. N° sur le schéma	Part No. N° de pièce	Description	Description
5	697233	Head-Cylinder	Culasse
7	*Δ697690	Gasket-Cylinder Head	Joint de culasse
11	696750	Tube-Breather	Tube reniffard
13	690360	Screw (Cylinder Head)	Vis (Culasse)
33	499596	Valve-Exhaust	Soupape d'échappement
34	697464	Valve-Intake	Soupape d'alimentation
35	694865	Spring-Valve (Intake)	Ressort de valve (d'alimentation)
36	694865	Spring-Valve (Exhaust)	Ressort de valve (d'échappement)
42	499586	Keeper-Valve	Blocage - valve
45	690977	Tappet-Valve	Soupape - valve
51	*Δ♦♦694874	Gasket-Intake	Joint d'alimentation
51A	*Δ♦♦694875	Gasket-Intake	Joint d'alimentation
95	690718	Screw (Throttle Valve)	Vis (valve d'accélérateur)
97	696387	Shaft-Throttle	Arbre d'accélérateur
98	♦695408	Kit-Idle Speed	Kit - ralenti
104	♦694918	Pin-Float Hinge	Axe - charnière de niveau
105	♦696136	Valve-Float Needle	Valve -Aiguille de niveau
108	696736	Valve-Choke	Valve de starter
109	696735	Shaft-Choke	Arbre de starter
117	♦696134	Jet-Main (Standard)	Gicleur principal (Standard)
118	696135	Jet-Main (High Altitude)	Gicleur principal (haute altitude)
121	696146	Kit-Carburetor Overhaul	Kit de remplacemnt de carburateur
122	Δ♦♦694876	Spacer-Carburetor	Entretoise de carburateur
125	696737	Carburetor	Carburateur
127	♦690727	Plug-Welch	Pastille d'obturation
130	696139	Valve-Throttle	Valve d'accélérateur
133	694914	Float-Carburetor	Niveau de carburateur
135	696142	Tube-Fuel Transfer	Conduite de carburant
137	♦♦695426	Gasket-Float Bowl	Joint - cuve du carburateur
192	690083	Adjuster-Rocker Arm	Pièce de réglage -culbuteur
337	491055	Plug-Spark	Bougie d'allumage
369	695422	Spring-Float Bowl	Ressort - cuve du carburateur
383	19374	Wrench-Spark Plug	Clé à bougie
632	695917	Spring/Link-Mechanical Governor	Ressort/Liaison-gouverneur
633	♦♦690998	Seal-Choke/Throttle Shaft	Joint - starter/ arbre d'accélérateur
635	691909	Boot-Spark Pug	Protecteur de caoutchouc - bougie d'allumage
798	697967	Screw (Rocker Arm)	Vis (culbuteur)
868	*Δ690968	Seal-Valve	Joint - valve
883	*Δ695398	Gasket-Exhaust	Joint - échappement
914	693732	Screw (Rocker Cover)	Vis (cache-culbuteurs)
975	696138	Bowl-Float	Cuve du carburateur
977	696147	Gasket Set-Carburetor	Jeu de joints - carburateur
1022	*Δ690971	Gasket-Rocker Cover	Joint - carter des culbuteurs
1023	698042	Cover-Rocker	Carter des culbuteurs
1026	695177	Rod-Push	Tringle à pression
1029	690972	Arm-Rocker	Culbuteur
1100	690973	Pivot-Rocker Arm	Pivot - culbuteur
1127	695407	Screw (Float Bowl)	Vis (cuve du carburateur)
1171	696754	Stud (Rocker Cover)	Goujon (carter de culbuteur)
1275	696757	Nut (Rocker Cover)	Écrou (carter de culbuteur)

# BRIGGS AND STRATTON ENGINE 21C114-0370-E1 MOTEUR BRIGGS AND STRATTON 21C114-0370-E1

# REPAIR PARTS PIÈCES DE RECHANGE



**Assemblies include all parts shown in frames.  
Les assemblages comprennent toutes les pièces illustrées dans les encadrements.**

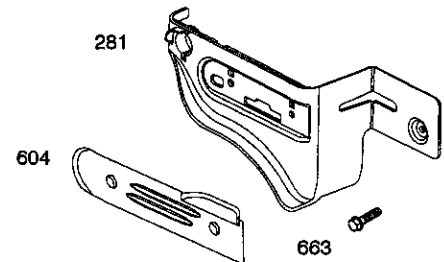
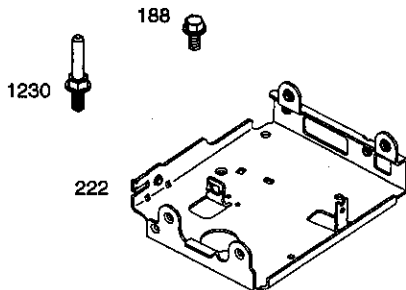
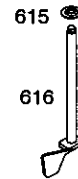
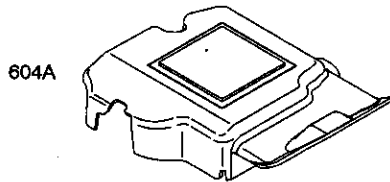
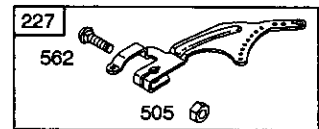
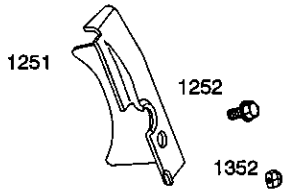
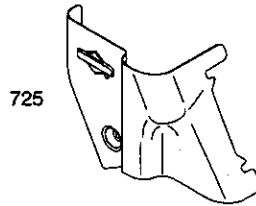
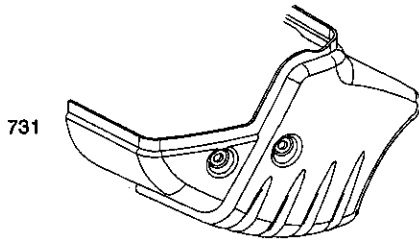
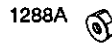
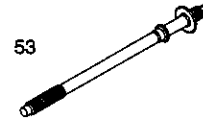
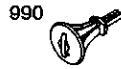
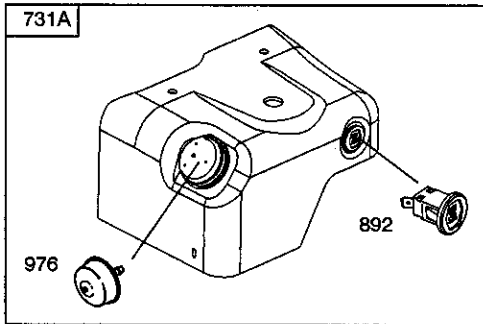
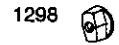
# BRIGGS AND STRATTON ENGINE 21C114-0370-E1 REPAIR PARTS

## MOTEUR BRIGGS AND STRATTON 21C114-0370-E1 PIÈCES DE RECHANGE

Key No. N° sur le schéma	Part No. N° de pièce	Description	Description
23	695485	Flywheel	Volant d'inertie
37	699047	Guard-Flywheel	Carter (volant d'inertie)
55	696710	Housing-Rewind Starter	Carter (démarreur à rappel)
58	693389	Rope-Starter (Cut to Required Length)	Corde de lanceur à rappel (longueur sur demande ou standard)
60	695740	Grip-Starter Rope	Poignée de lanceur à rappel
65	697725	Screw (Rewind Starter)	Vis (démarreur à rappel)
78	695724	Screw (Flywheel Guard)	Vis (Carter de volant d'inertiel)
187	698080	Line-Fuel (Molded)	Conduite de carburant (moulée)
190	692127	Screw (Fuel Tank)	Vis (Réservoir d'essence)
300	699211	Muffler	Silencieux
304	791479	Housing-Blower	Carter du chasse-neige
305	691108	Screw (Blower Housing)	Vis (carter du chasse-neige)
309	698112	Motor-Starter	Moteur de démarreur
332	694685	Nut (Flywheel)	Écrou (volant d'inertie)
333	495859	Armature-Magneto	Armature du magnéto
334	691061	Screw (Magneto Armature)	Vis (armature du magnéto)
356	692603	Wire-Stop (Rocker Switch)	Butée de câble (commutateur à bascule)
455	697226	Cup-Flywheel	Cache - volant d'inertie
456	692299	Plate-Pawl Friction	Plaque - friction à cliquet
459	281505	Pawl-Ratchet	Cliquet
474	791743	Alternator	Alternateur
578	790481	Wire Assembly	Faisceau de câbles
592	690800	Nut (Rewind Starter)	Écrou (démarreur à rappel)
597	691696	Screw (Pawl Friction Plate)	Vis (Plaque de friction à cliquet)
601	95162	Clamp-Hose	Pince à tubulure
608	699335	Starter-Rewind	Démarreur à rappel
613	695312	Screw (Muffler)	Vis (silencieux)
613A	696705	Screw (Muffler)	Vis (silencieux)
635	691909	Boot-Spark Plug	Protecteur de caoutchouc - bougie d'allumage
689	691855	Spring-Friction	Ressort - friction
697	698113	Screw (Starter Motor)	Vis (moteur du démarreur)
727	697465	Cover-Starter Drive	Carter - entraînement du démarreur
732	691097	Screw (Starter Drive Cover)	Vis (Carter de l'entraînement du démarreur)
851	692424	Terminal-Spark Plug	Terminal - Bougie
853	790455	Wire-Adapter	Adaptateur de câble
883	*Δ695398	Gasket-Exhaust	Joint - (échappement)
930	696709	Guard-Rewind	Carter - lanceur à rappel
957	694261	Cap-Fuel	Bouchon - réservoir d'essence
972	694260	Tank-Fuel	Réservoir d'essence
1005	694684	Fan-Flywheel	Ventilateur - volant d'inertie
1036	790466	Label-Emissions	Étiquette émissions
1070	690364	Screw (Flywheel Fan)	Vis (ventilateur du volant d'inertie)
1119	691183	Screw (Alternator)	Vis (alternateur)
1210	498144	Pulley/Spring Assembly (Pulley)	Jeu de poulie et ressort (poulie)
1211	498144	Pulley/Spring Assembly (Spring)	Jeu de poulie et ressort (ressort)

# BRIGGS AND STRATTON ENGINE 21C114-0370-E1 MOTEUR BRIGGS AND STRATTON 21C114-0370-E1

# REPAIR PARTS PIÈCES DE RECHANGE



**Assemblies include all parts shown in frames.  
Les assemblages comprennent toutes les pièces illustrées dans les encadrements.**



# BRIGGS AND STRATTON ENGINE 21C114-0370-E1

## MOTEUR BRIGGS AND STRATTON 21C114-0370-E1

# REPAIR PARTS

## PIÈCES DE RECHANGE

Key No. N° sur le schéma	Part No. N° de pièce	Description	Description
11	696750	Tube-Breather	Tube reniflard
53	696753	Stud (Carburetor)	Goujon (carburateur)
188	690877	Screw (Control Bracket)	Vis (support des commandes)
209	695491	Spring-Governor (Position in No 6 Hole)	Ressort de régulateur (positionner au trou No. 6)
222	694866	Bracket-Control	Support des commandes
227	694864	Lever-Governor Control	Levier de commande du gouverneur
281	697268	Panel-Control	Panneau des commandes
347	698338	Switch-Rocker	Commutateur à bascule
472	790472	Knob-Choke Shaft	Bouton - arbre du starter
505	691251	Nut (Governor Control Lever)	Écrou (levier de commande du gouverneur)
562	691119	Bolt (Governor Control Lever)	Boulon (levier de commande du gouverneur)
528	696751	Hose-Primer	Conduite - bouton d'amorce
564	790282	Screw (Control Cover)	Vis (Carter des commandes)
604	790473	Cover-Control	Carter des commandes
604A	696758	Cover-Control	Carter des commandes
616	694675	Crank-Governor	Manivelle du gouverneur
663	790282	Screw (Control Panel)	Vis (panneau de garnissage)
725	696756	Shield-Heat	Écran thermique
731	790470	Hood-Snow	Carter - neige
731A	790454	Hood-Snow	Carter - neige
892	*Δ696749	Switch-Key	Clé de contact
976	790221	Primer-Carburetor	Bouton d'amorce - carburateur
990	695756	Key Set	Jeu de clés
1196	696692	Screw (Snow Hood)	Vis (carter à neige)
1230	696747	Stud (Control Bracket)	Goujon (support des commandes)
1251	696762	Shield-Snow	Écran à neige
1251A	790471	Shield-Snow	Écran à neige
1252	696763	Screw (Snow Shield)	Vis (écran à neige)
1288	696757	Nut (Snow Hood)	Écrou (écran à neige)
1288A	698111	Nut (Snow Hood)	Écrou (écran à neige)
1298	698111	Nut (Heat Shield)	Écrou (écran thermique)
1352	790026	Nut (Spark Plug Shield)	Écrou (écran à bougie)

---

## NOTES

---

Get it fixed, at your home or ours!

Just Call:

**1-800-4-MY-HOME®**

(1-800-469-4663)

24 hours a day, 7 days a week

For the repair of major brand appliances **in your own home ...**  
no matter who made it, no matter who sold it!

For your nearest **Sears Parts & Service** location,  
to bring in products like vacuums, lawn equipment and electronics.

For **Sears Parts & Service**, to order the replacement parts,  
accessories and owner's manuals that you need to do-it-yourself.

[www.sears.ca](http://www.sears.ca)

---

To purchase or inquire about a Sears Maintenance Agreement, call:

**1-800-361-6665**

9 a.m. – 8 p.m. Mon. – Fri. EST, 9 a.m. – 4 p.m. Sat.

---

Pour service en français:

**1-800-LE-FOYER<sup>MC</sup>**

(1-800-533-6937)

[www.sears.ca](http://www.sears.ca)

**SEARS**  
HomeCentral™

®/TM Trademarks of Sears, Roebuck and Co. used under license by Sears Canada

® Marque déposée/™ Marque de commerce de Sears, Roebuck and Co. utilisée en vertu d'une licence de Sears Canada