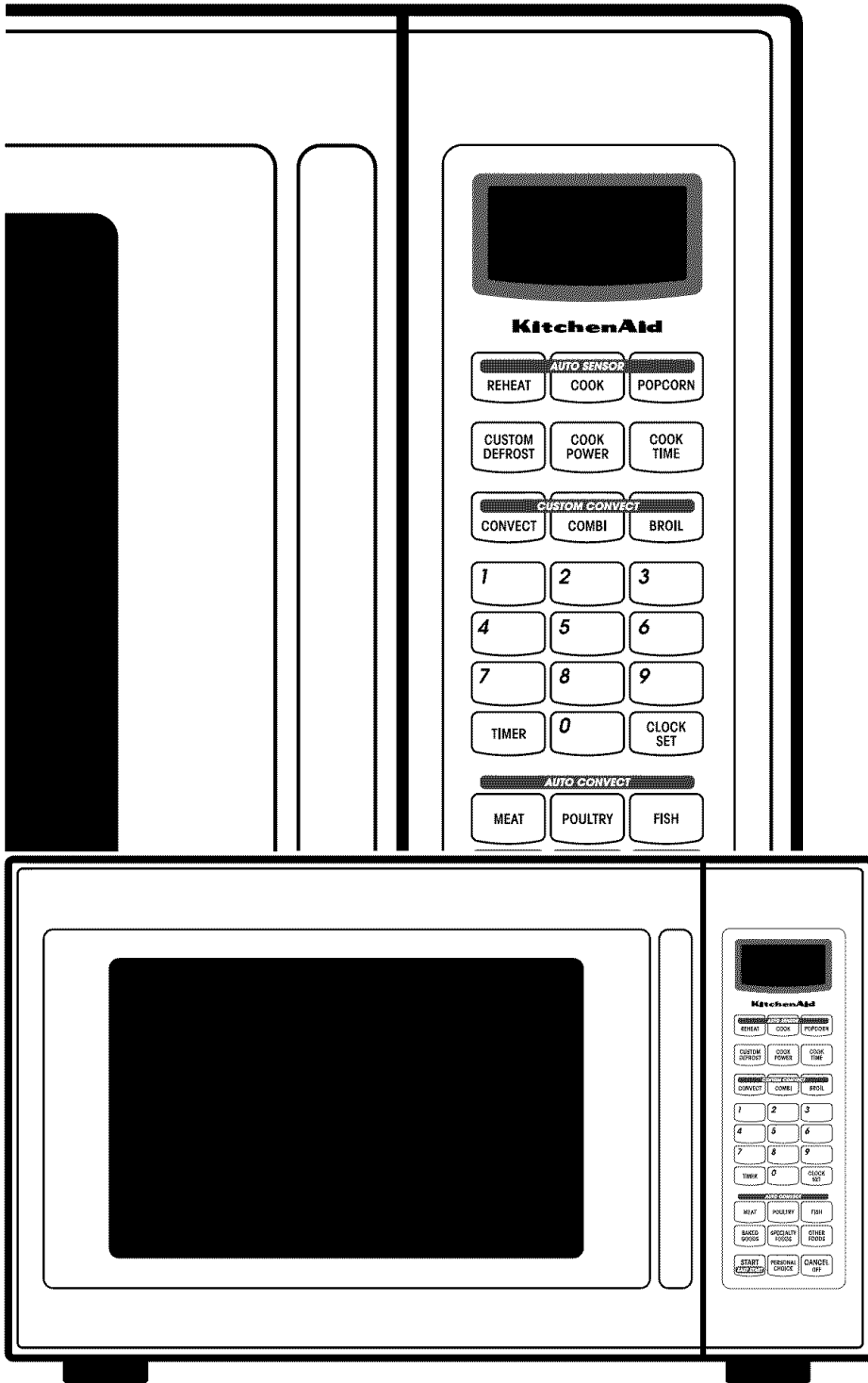


# USE & CARE GUIDE



## KitchenAid® Microwave Oven

A Note to You .....	2
Microwave Oven Safety .....	3
Installation Instructions.....	5
Getting to Know Your Microwave Oven..	7
How your microwave oven works.....	7
How convection cooking works.....	7
How combination cooking works.....	7
Microwave cooking tips.....	7
Radio interference .....	9
For the best cooking results .....	9
Testing your microwave oven .....	9
Oven utensils guide .....	9
Testing your dinnerware or cookware .....	10
Operating tips .....	10
Electrical connection .....	10
Microwave oven features.....	11
Control panel features.....	12
Using PERSONAL CHOICE.....	13
Built-in Kits.....	13
Setting the clock.....	14
Using the minute timer.....	14
Using Your Microwave Oven.....	15
Cooking at high cook power.....	15
Cooking at different cook powers.....	15
Cooking with more than one cook cycle.....	16
Using CUSTOM DEFROST .....	17
Using manual defrost.....	17
Defrosting tips.....	17
Using EASY START.....	18
Using Warm Hold.....	18
Auto Sensor Cooking .....	19
Using AUTO SENSOR COOK .....	19
Sensor cooking chart.....	19
Using AUTO SENSOR REHEAT.....	20
Sensor reheating chart.....	20
Using AUTO SENSOR POPCORN .....	20
Sensor popcorn chart.....	20
Convection and Combination Cooking.....	21
Custom convection cooking .....	21
Helpful hints for convection cooking.....	21
Using the drip pan .....	21
Raising (proofing) bread.....	22
Custom combination cooking.....	22
Helpful hints for combination cooking .....	22
Custom broil cooking .....	22
Helpful hints for broiling.....	23
Auto convection cooking.....	23
Caring for Your Microwave Oven .....	26
Questions and Answers .....	27
Troubleshooting .....	28
Requesting Assistance or Service.....	29
Warranty .....	30

1-800-422-1230

Call our Customer Interaction  
Center with questions  
or comments.

# A NOTE TO YOU

## Thank you for buying a KITCHENAID® appliance!

KitchenAid designs the best tools for the most important room in your house. To ensure that you enjoy many years of trouble-free operation, we developed this Use and Care Guide. It contains valuable information concerning how to operate and maintain your new appliance properly. Please read it carefully.

Also, please complete and mail the enclosed Product Registration Card.

### For assistance or service

Call the Customer Interaction Center toll free ..... **1-800-422-1230**

If you need assistance or service, first see the "Troubleshooting" section of this book. After checking "Troubleshooting," additional help can be found by checking the "Requesting Assistance or Service" section, or by calling the telephone number above.

When calling, you will need to know your appliance's complete model number and serial number. You can find this information on the model and serial number label/plate (see diagram in the "Getting to Know Your Microwave Oven" section.)

Keep this book and the sales slip together in a safe place for future reference. **You must provide proof of purchase or installation date for in-warranty service.**

**Model Number** \_\_\_\_\_ **Builder/Dealer Name** \_\_\_\_\_

**Serial Number** \_\_\_\_\_ **Address** \_\_\_\_\_

**Date Installed** \_\_\_\_\_ **Phone** \_\_\_\_\_

## Your safety and the safety of others are very important.

We have provided many important safety messages in this manual and on your appliance. Always read and obey all safety messages.



This is the safety alert symbol.

This symbol alerts you to potential hazards that can kill or hurt you and others.

All safety messages will follow the safety alert symbol and either the word "DANGER" or "WARNING." These words mean:

**⚠ DANGER**

You can be killed or seriously injured if you don't immediately follow instructions.

**⚠ WARNING**

You can be killed or seriously injured if you don't follow instructions.

All safety messages will tell you what the potential hazard is, tell you how to reduce the chance of injury, and tell you what can happen if the instructions are not followed.

## IMPORTANT SAFETY INSTRUCTIONS

When using electrical appliances basic safety precautions should be followed, including the following:

**WARNING:** To reduce the risk of burns, electric shock, fire, injury to persons or exposure to excessive microwave energy:

- Read all instructions before using the microwave oven.
- Read and follow the specific "PRECAUTIONS TO AVOID POSSIBLE EXPOSURE TO EXCESSIVE MICROWAVE ENERGY" found in this section.
- The microwave oven must be grounded. Connect only to properly grounded outlet. See "GROUNDING INSTRUCTIONS" found in the "Installation Instructions" section.
- Install or locate the microwave oven only in accordance with the installation instructions.
- Some products such as whole eggs and sealed containers – for example, closed glass jars – may explode and should not be heated in the microwave oven.
- Use the microwave oven only for its intended use as described in this manual. Do not use corrosive chemicals or vapors in the microwave oven. This type of oven is specifically designed to heat, cook, or dry food. It is not designed for industrial or laboratory use.
- As with any appliance, close supervision is necessary when used by children.
- Do not operate the microwave oven if it has a damaged cord or plug, if it is not working properly, or if it has been damaged or dropped.
- The microwave oven should be serviced only by qualified service personnel. Call an authorized service company for examination, repair or adjustment.
- Do not cover or block any openings on the microwave oven.
- Do not store the microwave oven outdoors. Do not use the microwave oven near water – for example, near a kitchen sink, in a wet basement, or near a swimming pool, and the like.
- Do not immerse cord or plug in water.
- Keep cord away from heated surfaces.
- Do not let cord hang over edge of table or counter.
- See door surface cleaning instructions in the "Caring for Your Microwave Oven" section.

**SAVE THESE INSTRUCTIONS**

continued on next page

# MICROWAVE OVEN SAFETY

## IMPORTANT SAFETY INSTRUCTIONS

- Do not operate any heating or cooking appliance beneath the microwave oven.
- Do not mount microwave oven over or near any portion of a heating or cooking appliance.
- Do not mount over a sink.
- Do not store anything directly on top of the microwave oven surface when the microwave oven is in operation.
- To reduce the risk of fire in the oven cavity:
  - Do not overcook food. Carefully attend the microwave oven if paper, plastic, or other combustible materials are placed inside the oven to facilitate cooking.
  - Remove wire twist-ties from paper or plastic bags before placing bag in oven.
  - If materials inside the oven should ignite, keep oven door closed, turn oven off, and disconnect the power cord, or shut off power at the fuse or circuit breaker panel.
  - Do not use the cavity for storage purposes. Do not leave paper products, cooking utensils, or food in the cavity when not in use.

## SAVE THESE INSTRUCTIONS

## PRECAUTIONS TO AVOID POSSIBLE EXPOSURE TO EXCESSIVE MICROWAVE ENERGY

- (a)** Do not attempt to operate this oven with the door open since open-door operation can result in harmful exposure to microwave energy. It is important not to defeat or tamper with the safety interlocks.
- (b)** Do not place any object between the oven front face and the door or allow soil or cleaner residue to accumulate on sealing surfaces.
- (c)** Do not operate the oven if it is damaged. It is particularly important that the oven door close properly and that there is no damage to the:
  - (1) door (bent),
  - (2) hinges and latches (broken or loosened),
  - (3) door seals and sealing surfaces.
- (d)** The oven should not be adjusted or repaired by anyone except properly qualified service personnel.



# INSTALLATION INSTRUCTIONS

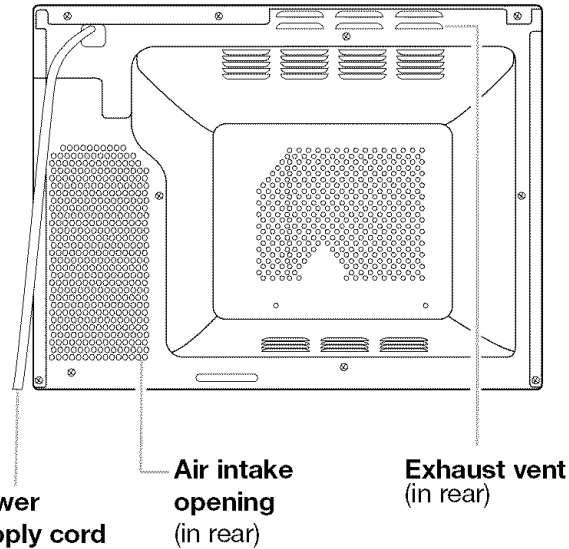
Before you begin operating the oven, carefully read the following instructions.

**1. Empty** the microwave oven. Clean the inside with a soft, damp cloth. **Check** for damage such as a door that isn't lined up correctly, damage around the door, or dents inside the oven or on the exterior. If there is any damage, do not operate the oven until a designated service technician has checked it and made any needed repairs.

**2. Put** the oven on a cart, counter, table, or shelf that is strong enough to hold the oven and the food and utensils you put in it. **(The control side of the unit is the heavy side. Use care when handling the oven.)** The weight of the oven is about 55 lbs (25 kg). The microwave oven should be at a temperature above 50°F (10°C) for proper operation.

**NOTE:** You can build your microwave oven into a wall or cabinet by using one of the trim kits listed in the "Built-in kits" section.

**NOTE:** Do not block the exhaust vents or air intake openings. Allow a few inches of space at the back of the oven where the exhaust vents are located. Blocking the exhaust vents could cause damage to the oven and poor cooking results. Make sure the microwave oven legs are in place to ensure proper airflow. If vents are blocked, a sensitive thermal safety device may automatically turn the oven off. The oven should work properly once it has cooled.



## ELECTRICAL REQUIREMENTS

Observe all governing codes and ordinances. A 120 Volt, 60 Hz, AC only, 15- or 20-amp fused electrical supply is required. (A time-delay fuse is recommended.) It is recommended that a separate circuit serving only this appliance be provided.

### ⚠ WARNING



#### Fire Hazard

Do not install the oven next to or over a heat source without a UL approved trim kit. Doing so can result in death, fire, or electrical shock.

### ⚠ WARNING



#### Electrical Shock Hazard

Plug into a grounded 3 prong outlet.  
Do not remove ground prong.  
Do not use an adapter.  
Do not use an extension cord.  
Failure to follow these instructions can result in death, fire, or electrical shock.

# INSTALLATION INSTRUCTIONS

## Electrical requirements

### GROUNDING INSTRUCTIONS

- **For all cord connected appliances:**

The microwave oven must be grounded. In the event of an electrical short circuit, grounding reduces the risk of electric shock by providing an escape wire for the electric current. The microwave oven is equipped with a cord having a grounding wire with a grounding plug. The plug must be plugged into an outlet that is properly installed and grounded.

**WARNING:** Improper use of the grounding plug can result in a risk of electric shock.

Consult a qualified electrician or serviceman if the grounding instructions are not completely understood, or if doubt exists as to whether the microwave oven is properly grounded.

Do not use an extension cord. If the power supply cord is too short, have a qualified electrician or serviceman install an outlet near the microwave oven.

- **For a permanently connected appliance:**

The microwave oven must be connected to a grounded, metallic, permanent wiring system, or an equipment grounding conductor should be run with the circuit conductors and connected to the equipment grounding terminal or lead on the microwave oven.

**SAVE THESE INSTRUCTIONS**

# GETTING TO KNOW YOUR MICROWAVE OVEN

This section discusses the concepts behind microwave cooking. It also shows you the basics you need to know to operate your microwave oven. Please read this information before you use your oven.

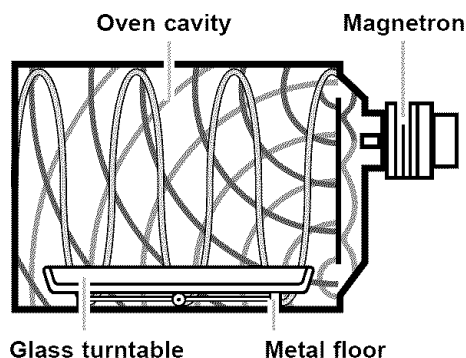
## How your microwave oven works

Microwave energy is not hot. It causes food to make its own heat, and it's this heat that cooks the food.

Microwaves are like TV waves, radio waves, or light waves. You cannot see them, but you can see what they do.

A **magnetron** in the microwave oven produces microwaves. The microwaves move into the oven where they contact food as it turns on the turntable.

Your oven has a **multiple microwave distribution system**. Microwave energy is released from two locations, giving you better, more even cooking.



The **glass turntable** of your microwave oven lets microwaves pass through. Then they bounce off a metal floor, back through the glass turntable, and are absorbed by the food.

**Microwaves** pass through most glass, paper, and plastics without heating them so food absorbs the energy. Microwaves bounce off metal containers so food does not absorb the energy.

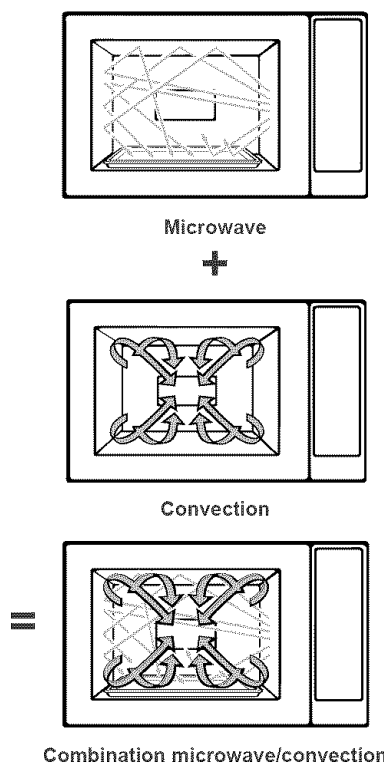
## How convection cooking works

Convection cooking circulates hot air through the oven cavity with a fan. The constantly moving air surrounds the food to heat the outer portion quickly. Your oven uses convection cooking whenever you use the Auto Convection, Custom Convection or Combination cooking programs.

**DO NOT USE THE OVEN WITHOUT THE TURNTABLE IN PLACE.**

## How combination cooking works

Sometimes combination microwave-convection cooking is suggested to get the proper cooking results. It shortens the cooking time for foods that normally need a long time to cook. This cooking process also leaves meats juicy on the inside and crispy on the outside. In combination cooking, the convection heat and microwave energy alternate automatically. Your oven has a setting that makes it easy to cook with both convection heat and microwave energy automatically.



## How broiling works

Broiling is achieved by two radiant heating elements at the top of the microwave oven. The hot air is circulated through the oven cavity with a fan. The food on the broiling rack is cooked by radiant heat and circulating hot air.

## Microwave cooking tips

### Amount of food

- **If you increase or decrease** the amount of food you prepare, the time it takes to cook that food will also change. For example, if you double a recipe, add a little more than half the original cooking time. Check for doneness and, if necessary, add more time in small increments.

# GETTING TO KNOW YOUR MICROWAVE OVEN

## Starting temperature of food

- **The lower the temperature** of the food being put into the microwave oven, the longer it takes to cook. Food at room temperature will be reheated more quickly than food at refrigerator temperature.

## Composition of food

- **Food with a lot of fat and sugar** will be heated faster than food containing a lot of water. Fat and sugar will also reach a higher temperature than water in the cooking process.
- **The more dense the food**, the longer it takes to heat. “Very dense” food like meat takes longer to reheat than lighter, more porous food like sponge cakes.

## Size and shape

- **Smaller pieces of food** will cook faster than larger pieces. Also, same-shaped pieces cook more evenly than different-shaped pieces.
- **With foods that have different thicknesses**, the thinner parts will cook faster than the thicker parts. **Place** the thinner parts of chicken wings and legs in the center of the dish.

## Stirring, turning foods

- **Stirring and turning foods** spreads heat quickly to the center of the dish and avoids overcooking at the outer edges of the food.

## Covering food

### Cover food to:

- **Reduce** splattering
- **Shorten** cooking times
- **Keep** food moist

You can use any covering that lets microwaves pass through. See “Getting to Know Your Microwave Oven” for materials that microwaves will pass through. If you are using the Sensor function, be sure to vent.

## Releasing pressure in foods

- **Several foods** (for example: baked potatoes, sausages, egg yolks, and some fruits) are tightly covered by a skin or membrane. Steam can build up under the membrane during cooking, causing the food to burst. To relieve the pressure and to prevent bursting, **pierce** these foods before cooking with a fork, cocktail pick, or toothpick.

## Using standing time

- **Always allow food to stand** after cooking. Standing time after defrosting and cooking allows the temperature to evenly spread throughout the food, improving the cooking results.

- **The length of the standing time** depends on how much food you are cooking and how dense it is. Sometimes it can be as short as the time it takes you to remove the food from the oven and take it to the serving table. However, with larger, denser food, the standing time may be as long as 10 minutes.

## Arranging food

For best results, place food evenly on the plate. You can do this in several ways:

- **If you are cooking several items of the same food**, such as baked potatoes, **place** them in a ring pattern for uniform cooking.
- **When cooking foods of uneven shapes or thickness, such as chicken breasts**, **place** the smaller or thinner area of the food towards the center of the dish where it will be heated last.
- **Layer thin slices of meat** on top of each other.
- **When you cook or reheat whole fish**, **score** the skin – this prevents cracking.
- **Do not** let food or a container touch the top or sides of the oven. This will prevent possible arcing.

## Using aluminum foil

Metal containers should not be used in a microwave oven. There are, however, some exceptions. If you have purchased food which is prepackaged in an aluminum foil container, refer to the instructions on the package. When using aluminum foil containers, cooking times may be longer because microwaves will only penetrate the top of the food. (See “Oven Utensils Guide”.)

If you use aluminum containers without package instructions, follow these guidelines:

- **Place** the container in a glass bowl and add some water so that it covers the bottom of the container, not more than  $\frac{1}{4}$  in. (.64 cm) high. This ensures even heating of the container bottom.
- **Always remove** the lid to avoid damage to the oven.
- **Use only** undamaged containers.
- **Do not use** containers taller than  $\frac{3}{4}$  in. (1.9 cm).
- **Container must be** at least half filled.
- **To avoid arcing**, there must be a minimum  $\frac{1}{4}$  in. (.64 cm) between the aluminum container and the walls of the oven and also between two aluminum containers.
- **Always place** the container on the turntable.
- **Reheating food** in aluminum foil containers usually takes up to double the time compared to reheating in plastic, glass, china, or paper containers. The time when food is ready will vary depending upon the type of container you use.
- **Let food stand** for 2 to 3 minutes after heating so that heat is spread evenly throughout container.

# GETTING TO KNOW YOUR MICROWAVE OVEN

## Cooking you should not do in your microwave oven

- **Do not** do canning of foods in the oven. Closed glass jars may explode, resulting in damage to the oven.
- **Do not** use the microwave oven to sterilize objects (baby bottles, etc.). It is difficult to keep the oven at the high temperature needed for sterilization.

## Radio interference

Using your microwave oven may cause interference to your radio, TV, or similar equipment. When there is interference, you can reduce it or remove it by:

- **Cleaning** the door and sealing surfaces of the oven.
- **Adjusting** the receiving antenna of the radio or television.
- **Moving** the receiver away from the microwave oven.
- **Plugging** the microwave oven into a different outlet so that the microwave oven and receiver are on different branch circuits.

## For the best cooking results

- **Always cook food** for the shortest cooking time recommended. Check to see how the food is cooking. If needed, **touch** EASY START pad while the oven is operating or after the cooking cycle is over (see the “Using EASY START” section).
- **Stir, turn over, or rearrange** the food being cooked about halfway through the cooking time for all recipes. This will help make sure the food is evenly cooked.
- **If you do not have a cover for a dish**, use wax paper, or microwave-approved paper towels or plastic wrap. Remember to turn back a corner of the plastic wrap to vent steam during cooking.

## Testing your microwave oven

To test the oven, put 1 cup (250 mL) of cold water in a glass container in the oven. Close the door. Make sure it latches. Cook at 100% power for 2 minutes. When the time is up, the water should be heated.

## Oven utensils guide

You can use a variety of utensils and materials in your microwave-convection oven. To prevent damage to utensils and your oven, choose appropriate utensils and materials for each cooking method. The list below is a general guide to help you select the correct utensils and materials.

YES: Utensils to use  
NO: Utensils to avoid

MATERIAL	UTENSILS	MICRO-WAVE COOKING	COMBINATION COOKING	BROIL/ CONVECTION COOKING
Ceramic & Glass	Ceramic	YES	YES	YES
	Ovenproof, Heat-Tempered, Microwave-Safe Glassware	YES	YES	YES
	Glassware with Metal Decoration	NO	NO	YES
	Lead Glass	NO	NO	YES
China	Without Metal Decoration (Ovenproof and Heat-Tempered)	YES	YES	YES
Pottery	Ovenproof pottery	YES	YES	YES
Plastic	Ovenproof Microwave-safe plasticware	YES	YES	YES
		YES	NO	NO
Metal	Bake/Roast Rack	NO	NO	YES
	Metal Baking Pan	NO	NO	YES
Aluminum Foil		*	*	YES
Paper	Cups, Plates, Towels	YES	NO	NO
Straw, Wicker, Wood		YES	NO	NO
Wax Paper		YES	NO	NO
Plastic Wrap		YES	NO	NO

\* Refer to “Microwave cooking tips” and “Questions and Answers” for proper use.

# GETTING TO KNOW YOUR MICROWAVE OVEN

## Testing your dinnerware or cookware

**Test dinnerware or cookware before using.** To test a dish for safe use, put it into the oven with 1 cup (250 mL) of water beside it. Cook at 100% cook power for one minute. **If the dish gets hot and water stays cool, do not use it.** Some dishes (melamine, some ceramic dinnerware, etc.) absorb microwave energy and may become too hot to handle or may slow cooking times. Cooking in metal containers not designed for microwave use could damage the oven, as could containers with hidden metal (twist-ties, foil lining, staples, metallic glaze or trim).

## Operating tips

- **Never** lean on the door or allow a child to swing on it when the door is open.
- **Use hot pads.** Microwave energy does not heat containers, but the heat from the food can make the container hot.
- **Do not** use newspaper or other printed paper in the oven.
- **Do not** dry flowers, fruit, herbs, wood, paper, gourds, or clothes in the oven.
- **Do not** start a microwave oven when it is empty. Product life may be shortened. If you practice programming the oven, **put** a container of water in the oven. It is normal for the oven door to look wavy after the oven has been running for a while.
- **Do not** try to melt paraffin wax in the oven. Paraffin wax will not melt in a microwave oven because it allows microwaves to pass through it.
- **Do not** operate the microwave oven unless the glass turntable is securely in place and can rotate freely. The turntable can rotate in either direction. **Make sure** the turntable is correct-side up in the oven. **Handle your turntable with care** when removing it from the oven to avoid possibly breaking it. If your turntable cracks or breaks, contact your dealer for a replacement.

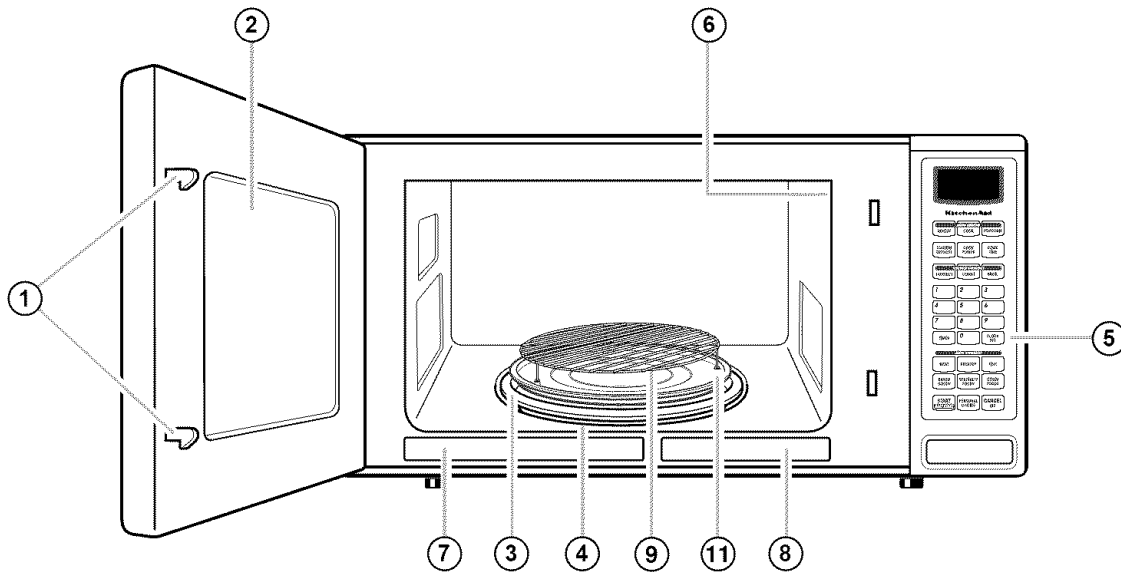
- **When you use a browning dish,** the browning dish bottom must be at least  $\frac{3}{16}$  in. (5 mm) above the turntable. Follow the directions supplied with the browning dish.
- **Never cook or reheat a whole egg inside the shell.** Steam buildup in whole eggs may cause them to burst, and possibly damage the oven. **Slice** hard-boiled eggs before heating. In rare cases, poached eggs have been known to explode. **Cover** poached eggs and **allow** a standing time of one minute before cutting into them.
- **For best results, stir any liquid several times during heating or reheating.** Liquids heated in certain containers (especially containers shaped like cylinders) may become overheated. The liquid may splash out with a loud noise during or after heating or when adding ingredients (coffee granules, tea bags, etc.). This can harm the oven.
- **Microwaves** may not reach the center of a roast. The heat spreads to the center from the outer, cooked areas just as in regular oven cooking. This is one of the reasons for letting some foods (for example, roasts or baked potatoes) stand for a while after cooking, or for stirring some foods during the cooking time.
- **Do not deep fry in the oven.** Microwavable utensils are not suitable and it is difficult to maintain appropriate deep-frying temperatures.
- **Do not overcook potatoes.** At the end of the recommended cooking time, potatoes should be slightly firm because they will continue cooking during standing time. **After microwaving, let potatoes stand for 5 minutes.** They will finish cooking while standing.

## Electrical connection

**If your electric power line or outlet voltage** is less than 110 volts, cooking times may be longer. Have a qualified electrician check your electrical system.

# GETTING TO KNOW YOUR MICROWAVE OVEN

## Microwave oven features



Your microwave oven is designed to make your cooking experience enjoyable and productive. To help get you up and running quickly, the following is a list of the oven's basic features:

- 1. Door Safety Lock System.** The oven will not work unless the door is securely closed.
- 2. Window with Metal Shield.** The shield prevents microwaves from escaping. It is designed as a screen to allow you to view food as it cooks.
- 3. Glass Turntable.** This turntable turns food as it cooks for more even cooking. It must be in the oven during operation for best cooking results. The turntable is sunken into the cavity floor to give you more cooking space and better cooking results.
- 4. Removable Turntable Support** (under turntable).
- 5. Control Panel.** Touch pads on this panel to perform all functions.
- 6. Light** (not shown). Automatically turns on when the door is opened or when the oven is running.

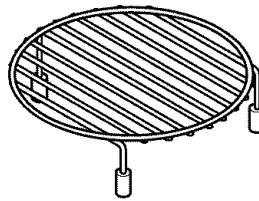
**7. Cooking Guide Label.**

**8. Model and Serial Number Plate.**

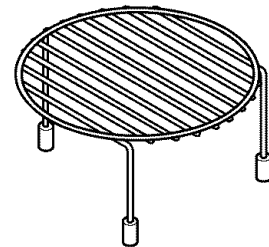
**9. Convection Rack.** (Part No. 8172251) Use to convection or combination cook.

**10. Broiling Rack** (Part No. 8172252) (shown below). Use this rack with the drip pan for foods such as fish steaks, chicken breasts and hamburgers.

**11. Drip Pan** (Part No. 8172250). The Drip Pan is useful for catching grease from foods that drip grease during Convection, Combination or Broil cooking.



**Convection Rack**



**Broiling Rack**



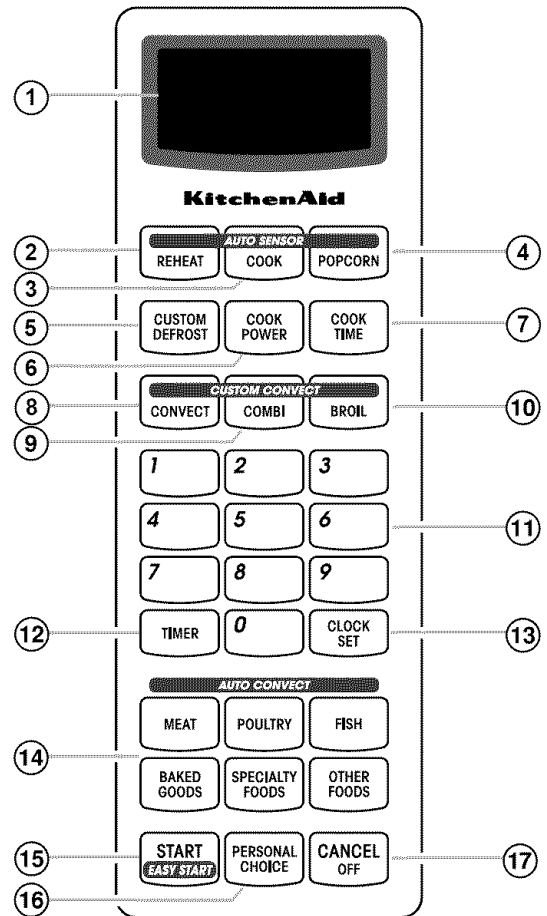
# GETTING TO KNOW YOUR MICROWAVE OVEN

## Control panel features

Your microwave oven control panel lets you select a desired cooking function quickly and easily. The following is a list of all the Command pads located on the control panel.

**For more information on these features, see “Using your microwave oven” section.**

- 1. Display.** This display includes a clock and indicators to tell you the time of day, cooking time settings, cook powers, quantities, weights, and cooking functions.
- 2. AUTO SENSOR REHEAT.** Touch this pad to reheat from a variety of food categories available.
- 3. AUTO SENSOR COOK.** Touch this pad to cook from a variety of food categories available.
- 4. AUTO SENSOR POPCORN.** Touch this pad to pop a bag of popcorn in any of 3 sizes.
- 5. CUSTOM DEFROST.** Touch this pad to defrost frozen food by weight or quantity.
- 6. COOK POWER.** Touch this pad to set the amount of microwave energy released to cook the food. The higher the number, the higher the power wattage and the faster the “cooking speed.”
- 7. COOK TIME.** Touch this pad to set cooking time.
- 8. CUSTOM CONVECT.** Touch this pad to cook in Custom Convection mode. See “Convection and Combination Cooking”.
- 9. CUSTOM COMBI.** Touch this pad to cook in Custom Combination mode. See “Convection and Combination Cooking”.
- 10. CUSTOM BROIL.** Touch this pad to cook in Custom Broil mode. See “Using Your Microwave Oven”.
- 11. Number pads.** Touch number pads to control sound volume, weight, language, scroll speed, clock, Demo mode, cooking times, cook powers, or quantities.
- 12. TIMER.** Touch this pad to set or cancel the timer function.
- 13. CLOCK SET.** Touch this pad to enter the correct time of day.
- 14. AUTO CONVECTION pads.** Touch one of these pads to select type of food to be cooked (see pages 21-25). Touch SPECIALTY FOODS pad once for Warm Hold. See “Using Warm Hold” section.
- 15. START/EASY START.** Touch this pad to start a function you have set or to cook food for 30 seconds at 100% cook power.
- 16. PERSONAL CHOICE.** Touch this pad to, change sound volume to low, medium, high or off, to change weight measurement from lbs to kilograms, to change the language displayed, to change scroll speed, to change the clock from 12 hours to 24 hours, or to turn on/off, or to turn the Demo mode on and off.
- 17. CANCEL/OFF.** Touch this pad once to clear an incorrect command or to cancel a program during cooking. This pad will not erase the time of day.



## Audible signals

Your microwave oven comes with audible signals that can guide you when setting and using your oven:

- A programming tone will sound each time you touch a pad.
- Three tones signal the end of a cooking cycle and five tones signal the end of the timer function.

**NOTE:** The tones on your oven can be turned off. To do so, see “Using PERSONAL CHOICE.” This will only work when the oven is in standby mode.

# GETTING TO KNOW YOUR MICROWAVE OVEN

## Control panel features (cont.)

### Interrupting cooking

You can stop the oven during a cycle by opening the door. The oven stops heating and the fan stops, but the light stays on. To restart cooking, close the door and

**Touch START.**

**If you do not want to continue cooking:**

- Close the door and the light goes off.

**OR**

- **Touch CANCEL/OFF.**

**NOTE:** Before setting a function, **touch CANCEL/OFF** to make sure no other function is on.

### Using the child lock

The Child Lock locks the control panel so children cannot use the microwave when you do not want them to. This will only work when the oven is in stand-by mode.

**To lock the control panel:**

**Touch and hold CANCEL/OFF** until "LOCKED" appears on display (approximately 4 seconds). (One tone will sound.)

**To unlock the control panel:**

**Touch and hold CANCEL/OFF** until "UNLOCK" appears on display. (Two tones will sound.)

## Built-in kits

You can build in your microwave oven by using one of the following trim kits\*. These kits are available from your dealer. If your dealer does not stock the kit you can order it, by kit model number, by calling **1-800-422-1230** and following the instructions and telephone prompts you hear.

SIZE	COLOR	KIT MODEL NO.	FOR INSTALLATION OVER OVEN MODEL	
27" (69 cm)	Black	MK1157XJB	KEBI171D	KEBS177D
30" (76 cm)	Black	MK1150XJB	KEBI101D	KEBS107D
27" (69 cm)	White	MK1157XJQ	KEBI171D	KEBS177D
30" (76 cm)	White	MK1150XJQ	KEBI101D	KEBS107D
27" (69 cm)	Biscuit	MK1157XJT	KEBI171D	KEBS177D
30" (76 cm)	Biscuit	MK1150XJT	KEBI101D	KEBS107D
27" (69 cm)	Stainless	MK1157XJS	KEBI171D	KEBS177D
30" (76 cm)	Stainless	MK1150XJS	KEBI101D	KEBS107D

\* Approved, electric single ovens only

## Using PERSONAL CHOICE

You can select or change the following functions or displays by touching PERSONAL CHOICE:

Function	Choice
Sound volume	Change to low, medium, high or off.
Weight	Change to standard (lbs) or metric (kgs).
Language	Change to English, French or Spanish.
Scroll speed	Change speed.
Clock	Change to 12 hrs. or 24 hrs. or turn on/off.
Demo mode	Turn on or off.

### 1. Touch PERSONAL CHOICE.

The category name changes in sequence. When the desired category appears, touch START.

For example, to change weight measurements you see:



### 2. Touch PERSONAL CHOICE twice to reach "LBS/KGS". Touch START. Touch PERSONAL CHOICE again to select "LBS" or "KGS".

### 3. Touch START.

# GETTING TO KNOW YOUR MICROWAVE OVEN

## Setting the clock

When you first plug in your microwave oven, the display shows “ : ”. If the electric power ever goes off, the display will again show “ : ” when the power comes back on.

**NOTE:** You can cook without setting the clock, but the display will show “ : ” again after the cooking is completed.

### 1. Touch **CLOCK SET**.

### 2. Touch Number pads for time of day.

For example: For 7:00, touch “7 0 0”

### 3. Touch **CLOCK SET**.

## Using the minute timer

You can use your microwave oven as a kitchen timer.

### 1. Touch **TIMER**.

### 2. Touch Number pads for desired time in hours:minutes.

For example: For 10 minutes, touch “1 0”

### 3. Touch **START, (or TIMER), or allow the timer to start automatically after a short delay.**

### 4. At the end of the set time:

Timer will count down to zero, then will display “TIMER END” and 5 tones will sound.

**NOTE:** To cancel timer at any time, touch **TIMER**.

# USING YOUR MICROWAVE OVEN

This section gives you instructions for operating each function. Please read these instructions carefully.

## Cooking at high cook power

1. Put the food in the oven and close the door.
2. Touch **COOK TIME**.
3. Touch Number pads for desired time in hours:minutes.  
For example: For 10 minutes, touch "1 0"
4. Touch **START**.
5. At the end of the cooking time:  
Display will show "END" and 3 tones will sound.

## Cooking at different cook powers

1. Put the food in the oven and close the door.
2. Touch **COOK TIME**.
3. Touch Number pads for desired time in hours:minutes.
4. Touch **COOK POWER**.
5. Select Number pad for desired power setting.  
(See the following chart.)
6. Touch **START**.
7. At the end of the cooking time:  
Display will show "END" and 3 tones will sound.

For best results, some recipes call for different cook powers. The lower the cook power, the slower the cooking. Each level stands for a different percentage of cook power. Many microwave cookbook recipes tell you by number, percent, or name which cook power to use.

The following chart gives the percentage of cook power each level stands for, and the cook power name usually used. It also tells you when to use each cook power. Follow recipe or food package instructions if available.

**NOTE:** Refer to a reliable cookbook for cooking times.

COOK POWER	NAME	WHEN TO USE IT
HI = 100% of full power (automatic)	High	● Quick heating many convenience foods and foods with high water content, such as soups, beverages and most vegetables
90 = 90% of full power		● Cooking small tender pieces of meat, ground meat, poultry pieces, and fish fillets ● Heating cream soups
80 = 80% of full power		● Heating rice, pasta, or casseroles ● Cooking and heating foods that need a cook power lower than high (for example, whole fish and meat loaf)
70 = 70% of full power	Medium-High	● Reheating a single serving of food
60 = 60% of full power		● Cooking sensitive foods such as cheese and egg dishes, pudding, and custards ● Cooking non-stirring casseroles, such as lasagna

# USING YOUR MICROWAVE OVEN

COOK POWER	NAME	WHEN TO USE IT
50 = 50% of full power	Medium	<ul style="list-style-type: none"><li>● Cooking ham, whole poultry, and pot roasts</li><li>● Simmering stews</li></ul>
40 = 40% of full power		<ul style="list-style-type: none"><li>● Melting chocolate</li><li>● Heating bread, rolls and pastries</li></ul>
30 = 30% of full power	Medium-Low, Defrost	<ul style="list-style-type: none"><li>● Defrosting foods, such as bread, fish, meats, poultry, and precooked foods</li></ul>
20 = 20% of full power		<ul style="list-style-type: none"><li>● Softening butter, cheese, and ice cream</li></ul>
10 = 10% of full power	Low	<ul style="list-style-type: none"><li>● Keeping food warm</li><li>● Taking chill out of fruit</li></ul>

## Cooking with more than one cook cycle

For best results, some recipes call for one cook power for a certain length of time, and another cook power for another length of time. Your oven can be set to change from one power level to another automatically, for up to 3 cycles plus a defrost cycle.

**1. Put the food in the oven and close the door.**

**2. Touch COOK TIME.**

**3. Touch Number pads to set the cooking time for the first cycle.**

**4. Touch COOK POWER.**

**5. Touch Number pad to set the cook power for the first cycle.**

**6. Repeat steps 2 and 3 to set the cooking time and cook power for each additional cycle.**

**7. Touch START.**

After each cycle is complete, 2 tones sound and the next cycle(s) will count down.

**8. At the end of the cooking time:**

Display will show "END" and 3 tones will sound.

**NOTES:**

- You can set your chosen cook functions in any order.
- You can set up to 3 cook cycles plus CUSTOM DEFROST and Warm Hold.
- CUSTOM DEFROST will operate first.
- Warm Hold will operate last.
- Cooking with more than one cook cycle will not work with AUTO SENSOR COOK or AUTO SENSOR REHEAT functions.

## Using CUSTOM DEFROST

You can defrost food by choosing a category and setting a weight. CUSTOM DEFROST has preset times and cook powers for 6 categories: Meat, Poultry, Fish, Bagel, Muffin and Butter.

### 1. Touch CUSTOM DEFROST.

Once for Meat, twice for Poultry, 3 times for Fish, 4 times for Bagel, 5 times for Muffin, 6 times for Butter.

### 2. Touch Number pads for desired weight (from .1 to 6.0 lbs [45g to 2.7 kgs.]) or quantity.

### 3. Touch START.

### 4. During defrosting, 5 tones will sound.

(for Meat, Poultry and Fish when set for more than 1 minute)

These tones tell you when to check, turn over, separate, or rearrange food. To restart oven, touch START.

### 5. At the end of the defrosting time:

Display will show "END" and 3 tones will sound.

## Using manual defrost

### 1. Touch CUSTOM DEFROST pad 7 times.

### 2. Touch Number pads to set the time for manual defrosting.

The power is automatically set at 30 percent, unless you change it.

### 3. Touch START.

### 4. At the end of the defrosting time:

Display will show "END" and 3 tones will sound.

## Weight conversion chart

You are probably used to food weights as being in pounds and ounces that are fractions of a pound (for example, 4 ounces equals  $\frac{1}{4}$  pound [113.4 g]).

If the weight on the food package is in fractions of a pound, you can use the following chart to convert the weight to decimals.

Equivalent Weight			
OUNCES	GRAMS	DECIMAL WEIGHT	
1.6	45.4	.10	
3.2	90.7	.20	
4.0	113.4	.25	One-Quarter Pound
4.8	136.1	.30	
6.4	181.4	.40	
8.0	226.8	.50	One-Half Pound
9.6	272.2	.60	
11.2	317.5	.70	
12.0	340.2	.75	Three-Quarters Pound
12.8	362.9	.80	
14.4	408.2	.90	
16.0	453.6	1.00	One Pound

## Defrosting tips

- **Before starting**, make sure you have removed any of the metal twist-ties which often come with frozen food bags, and replace them with strings or elastic bands.
- **Open containers** such as cartons before they are placed in the oven.
- **Always slit** or pierce plastic pouches or packaging.
- **If food is foil wrapped**, remove foil and place it in a suitable container.
- **Slit** the skins, if any, of frozen food such as sausage.
- **Bend** plastic pouches of food to ensure even defrosting.
- **Always underestimate** defrosting time. If defrosted food is still icy in the center, return it to the microwave oven for more defrosting.
- **The length** of defrosting time varies according to how solidly the food is frozen.
- **The shape of the package** affects how quickly food will defrost. Shallow packages will defrost more quickly than a deep block.
- **As food begins to defrost**, separate the pieces. Separated pieces defrost more evenly.
- **Use small pieces of aluminum foil** to shield parts of food such as chicken wings, leg tips, fish tails, or areas that start to get warm. Make sure the foil does not touch the sides, top, or bottom of the oven. The foil can damage the oven lining.
- **For better results**, let food stand after defrosting. (For more information on standing time, see "Microwave cooking tips".)
- **Turn food over** during defrosting or standing time. Break apart and remove food as required.

# USING YOUR MICROWAVE OVEN

## Using EASY START

EASY START lets you cook food for 30 seconds at 100% cook power or, during any manual program, you can use it to add 30-second increments.

### NOTES:

- Each time you **touch** EASY START, it will add 30 seconds up to 3 minutes, then will add 1 minute up to a total of 10 minutes.
- You can enter Easy Start only after closing the door or after **touching** CANCEL/OFF.
- You can also use the pad to increase the remaining cook time during manual programs.

### 1. Put the food in the oven and close the door.

### 2. Touch EASY START.

(Each additional touch adds 30 seconds of cooking time, up to 3 minutes, then adds 1 minute up to a total of 10 minutes.)

### 3. At the end of the cooking time:

Display will show "END" and 3 tones will sound.

## Using Warm Hold

### **WARNING**

#### Food Poisoning Hazard

**Do not let food sit in oven more than one hour before or after cooking.**

**Doing so can result in food poisoning or sickness.**

Warm Hold keeps hot, cooked food warm in your microwave oven.

### NOTES:

- Food cooked should be covered during Warm Hold.
- Pastry items (pies, turnovers, etc.) should be uncovered during Warm Hold.
- Complete meals kept warm on a dinner plate should be covered during Warm Hold.
- Do not use more than 1 complete Warm Hold cycle. The quality of some foods will suffer with extended time.
- Warm Hold can be used in conjunction with Stage Cooking. (See "Cooking with more than one cook cycle".)

### 1. Put hot, cooked food in the oven and close the door.

### 2. Touch SPECIALTY FOODS once.

"WARM HOLD" scrolls, then "START" flashes until you touch START.

### 3. Touch START.

Display will show "WARM".

### 4. To cancel Warm Hold, open door or touch CANCEL/OFF.



Your microwave oven has a sensor that detects the humidity released by the food. The amount of humidity detected tells the oven how long to cook or heat your food. The sensor is used by 3 special functions: AUTO SENSOR COOK, AUTO SENSOR REHEAT, and AUTO SENSOR POPCORN. The simple instructions for these functions are on the following pages.

## NOTES:

- If you want to cook by entering a time and cook power, see “Cooking at different cook powers”.
- The oven should be plugged in at least 5 minutes before sensor cooking.
- Room temperature should not exceed 95°F (35°C).
- Be sure the exterior of the cooking container and the interior of the oven are dry. Wipe off each with a paper towel.
- The oven will not generate microwave energy for approximately 28 seconds at the beginning of the sensor cooking cycle.
- When covering foods, be sure to leave an opening big enough for moisture to escape so that the sensor can determine cooking or reheating time.

## Using AUTO SENSOR COOK

### To use AUTO SENSOR COOK:

1. Put the food in the oven and close the door.

2. Touch **AUTO SENSOR COOK** until desired food type is displayed.

AUTO SENSOR COOK will start automatically after a short delay.

(See Auto Sensor Cooking Chart.)

## Auto Sensor cooking chart

FOOD	SERVING SIZE	DIRECTIONS
<b>Baked Potatoes</b>	1 to 4 medium, about 10 to 13 oz (284 to 369 g) each	<ul style="list-style-type: none"> <li>● Pierce each potato several times with a fork and place on the turntable around the edge, at least 1 inch (2.5 cm) apart. Let potato stand 5 minutes to finish cooking.</li> </ul>
<b>Frozen Vegetables</b>	1 to 4 cups (250 mL to 1 L)	<ul style="list-style-type: none"> <li>● Remove from package. Place vegetables in a microwavable container. Cover with plastic wrap and vent.</li> <li>● Most vegetables need stirring and 2-3 minutes standing time after cooking.</li> </ul>
<b>Fresh Vegetables</b>	1 to 4 cups (250 mL to 1 L)	<ul style="list-style-type: none"> <li>● Place moist vegetables in a microwavable container. Cover with plastic wrap and vent.</li> <li>● Most vegetables need stirring and 2-3 minutes standing time after cooking.</li> </ul>
<b>Frozen Entree</b>	Works best if entree is 10 to 20 oz. (284 to 567 g)	<ul style="list-style-type: none"> <li>● Remove from outer package. Loosen cover on three sides. If entrée is not in a microwave-safe container, place it on a plate, cover with plastic wrap and vent.</li> <li>● Most entrees need 2-3 minutes standing time after cooking.</li> </ul>
<b>Rice</b>	½ to 2 cups (125 to 500 mL) of dry rice (Use medium or long grain rice. Cook instant rice according to directions on the package.)	<ul style="list-style-type: none"> <li>● Follow measurements on package for ingredient amounts. Place rice and liquid (water or chicken or vegetable stock) in a microwavable dish. Cover with plastic wrap and vent. When cooking is complete, allow rice to stand 5 minutes or until liquid is absorbed. Stir rice.</li> </ul>

# AUTO SENSOR COOKING

## Using AUTO SENSOR REHEAT

1. Put the food in the oven and close the door.
2. Touch **AUTO SENSOR REHEAT** until desired food type is displayed.

AUTO SENSOR REHEAT will start automatically after a short delay.

(See Auto Sensor Reheating Chart.)

**NOTE:** When covering foods, be sure to leave an opening big enough for moisture to escape so that the sensor can determine cooking or reheating time.

## Auto Sensor reheating chart

FOOD	SERVING SIZE	DIRECTIONS
<b>Dinner plate</b>	About 8 to 16 oz (227 to 454 g)	● Place food to be heated on a dinner plate or similar dish. Cover with plastic wrap and vent.
<b>Soup</b>	1 to 4 cups (250 mL to 1 L)	● Place food to be heated in a microwave container. Cover with plastic wrap and vent.
<b>Sauce</b>	1 to 4 cups (250 mL to 1 L)	● Place food to be heated in a microwave container. Cover with plastic wrap and vent.
<b>Casserole</b>	1 to 4 cups (250 mL to 1 L)	● Place food to be heated in a microwave container. Cover with plastic wrap and vent.

## Using AUTO SENSOR POPCORN

AUTO SENSOR POPCORN lets you pop commercially packaged microwave popcorn with just one touch.

### NOTES:

- Pop only 1 package at a time.
- If you are using a microwave popcorn popper, follow manufacturer's instructions.

1. Place the bag in the center of the turntable and close the door.

2. Touch **AUTO SENSOR POPCORN**.

**NOTE:** The sensor will determine "popping time", based on the size of the package.

## Auto Sensor popcorn chart

	SERVING SIZE	DIRECTIONS
<b>POPCORN</b>	3.5 oz (99 g) 3.0 oz (85 g) 1.75 oz (50 g)	<ul style="list-style-type: none"> <li>● Follow package directions.</li> <li>● Use a popcorn package which is made especially for microwave cooking.</li> <li>● Do not try to pop unpopped kernels.</li> <li>● Pop only 1 package at a time.</li> <li>● Do not leave the microwave oven unattended while popping popcorn.</li> <li>● If you are using a microwave popcorn popper, follow manufacturer's instructions.</li> <li>● How well your popcorn cooks will depend on the brand of popcorn and how much fat it has in it. Try several brands to decide which pops the best. For best results, use fresh bags of popcorn.</li> </ul>

## Custom convection cooking

**To preheat the oven for convection cooking, follow steps 1-3 below.**

**To convection cook without preheating the oven, skip step 3 below.**

**NOTE:** For best results, many recipes require preheating the oven before you begin cooking. Use cooking utensils that will not melt or burn in the hot oven. Do not use light plastic containers, plastic wraps, or paper products during any convection or combination cycle.

### 1. Touch **CONVECT**.

### 2. Touch **Number pads** for desired temperature.

(If your recipe does not call for preheating, go to step 4.)

### 3. Touch **START** to Preheat oven.

Two tones will sound when oven has reached preheat temperature.

### 4. Place food in appropriate cookware on **Convection Rack**.

### 5. Touch **Number pads** to enter cooking time in hours:minutes.

For example: For 1 hour, touch "1 0 0".

### 6. Touch **START**.

**NOTE:** It is not necessary to preheat the oven unless your recipe calls for it.

## Preheating temperature chart

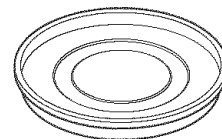
Recommended temperature settings may vary. Refer to your recipe for recommended temperature settings.

FOOD	TEMP
Cookies	325°F (163°C)
Breads, Brownies	350°F (177°C)
Refrigerated Biscuits, Fresh Pies	375°F (191°C)
Fresh Pizza, Frozen Pies	400°F (204°C)
Muffins, Fresh Fish Fillets	425°F (218°C)
Fresh Biscuits	450°F (232°C)

## Helpful hints for convection cooking

- For best results, place food on the Convection Rack.
- Do not cover Turntable or Convection Rack with aluminum foil. It interferes with the flow of air that cooks the food.
- Round pizza pans are excellent cooking utensils for many convection-only items. Choose pans that do not have extended handles.
- Use convection cooking for items like souffles, breads, cookies, angel food cakes, pizza, and most meat and fish cooking.
- You do not need to use any special techniques to adapt your favorite oven recipes to convection cooking. However, you may need to lower some temperatures or reduce some cooking times from the convection oven cooking directions.
- When baking cakes, cookies, breads, rolls, or other baked foods, most recipes call for preheating. Preheat the empty oven just as you do a regular oven. You can start heavier dense foods such as meats, casseroles, and poultry without preheating.
- All heatproof cookware or metal utensils can be used in convection cooking.
- Use metal utensils only for convection cooking. Never use for microwave or combination cooking since arcing and damage to the oven may occur.
- After preheating, if you do not open the door, the oven will automatically hold at the preheated temperature for 30 minutes.

## Using the drip pan



**NOTE:** For any Convection, Combination or Broiling cooking of foods that drip grease, such as steak or hamburger, we recommend that you place the Drip Pan (Part No. 8172250) under the rack to catch the grease.

# CONVECTION AND COMBINATION COOKING

## Raising (proofing) bread

You can use your microwave oven to proof bread.

### First proofing:

Place the dough in a lightly greased bowl and loosely cover with waxed paper coated with shortening.

**1. Place a container in the oven and fill with 2 cups (500 mL) of boiling water. Place the bowl on Convection Rack. Close the oven door.**

**2. Touch CONVECT.**

**3. Touch Number pads to 100°F (38°C).**

**4. Touch START.**

Two tones will sound when oven is preheated.

**NOTE:** Let dough rise until nearly doubled in size. Proofing time may be faster and will vary depending upon the type and quantity of dough. Check dough after 20 to 25 minutes.

**5. When proofing is done, remove bowl containing bread dough from the oven. Empty water from container.**

### Second proofing:

Shape the dough and place in baking pan(s). Cover loosely with plastic wrap sprayed with cooking spray. Place the container in the oven and fill with 2 cups (500 mL) of boiling water. Put the pans on Convection Rack. Close the oven door. Follow steps 2 through 5 outlined in "First Proofing." When proofing is done, remove from the oven the bread dough and the container with the water. Reset oven to pre-heat for baking bread. Before baking, remove plastic wrap from the bread dough.

See the "Auto Convection Chart" section and follow the directions.

## Custom combination cooking

**1. Place food on Convection rack and close the door.**

**2. Touch COMBI.**

**3. Touch Number pads for desired temperature.**

**4. Touch Number pad to set desired cooking time in hours:minutes.**

For example: For 1 hour, touch "1 0 0".

**5. Touch START.**

When cooking time ends, display will show "END" and 3 tones will sound.

After cooking, the display will return to the time of day when you open the door.

## Helpful hints for combination cooking

- Meats may be roasted directly on the Convection Rack.
- Less tender cuts of beef can be roasted and tenderized using oven cooking bags.
- Check for doneness after cooking time is up. If not completely done, let stand in oven for a few minutes to complete cooking.

**NOTE:** During combination cooking, some cooking utensils may cause arcing when they come in contact with the oven walls or metal Convection Rack. Arcing is a discharge of electricity that occurs when microwaves come in contact with metal. If arcing occurs, place a heatproof dish between the pan and the Convection Rack. If arcing occurs with other cooking utensils, stop using them for combination cooking.

## Custom broil cooking

**1. Place food on Broiling rack and close the door.**

**2. Touch BROIL.**

**3. Set broiling time in hours:minutes.**

For example: For 1 hour, touch "1 0 0".

**4. Touch START.**

When broiling time ends, display will show "END" and 3 tones will sound.

After cooking, the display will return to the time of day when you open the door.

# CONVECTION AND COMBINATION COOKING

## Helpful hints for broiling

- Foods that are suitable for broiling should be tender, moderately lean, and less than 2 inches thick. Fish steaks, chicken breasts, and hamburgers are ideal for broiling.
- Always use the Broiling Rack with the Drip Pan underneath.
- For even browning, turn food over halfway through broiling.
- Do not leave the door open for long periods of time when using the broil element. This will cause the oven temperature to drop and could affect cooking performance.

## Auto convection cooking

You can automatically cook a wide selection of foods just by touching one of the 6 Auto Convection pads: Meat, Poultry, Fish, Baked Goods, Specialty Foods, Other Foods.

See the “Auto Convection Chart” section and follow the directions.

On Auto Convection recipes for baked goods, snack foods, other foods, and specific frozen foods, simply select the food category and touch START.

Auto Convection recipes for cooking meats, poultry, and fresh fish will prompt you to enter the quantity to provide the best cooking results.

You can select how done you would like your meats cooked (Rare, Med-Rare, Medium, Med-Well, Well) by touching the Number pads. The recipes will cook to Medium if you do not adjust the doneness.

You may adjust the recommended time and temperature of the Auto Convection recipes during cooking if you desire by touching the Number pads. Then touch START.

## Auto Convection (No preheat)

**1. Place food on Convection rack and close the oven door.**

**2. Touch appropriate Auto Convection pads until desired food item appears.**

**3. Touch START.**

When cooking time ends, display will show “END” and 3 tones will sound.

After cooking, the display will return to the time of day when you open the door.

## Auto Convection (Preheat)

Some Auto Convection recipes will prompt you to preheat the oven prior to placing the food in the oven.

## Preheating chart

CATEGORY	FOOD	PREHEATING TEMP
Poultry	Chicken, Frozen Breaded	375°F (191°C)
Fish	Fish Fillet, Fresh	425°F (218°C)
	Fish Fillet, Frozen/Breaded	400°F (204°C)
	Fish Sticks, Frozen/Breaded	400°F (204°C)
Baked Goods	Cookies	325°F (163°C)
	Brownies	350°F (177°C)
	Muffins	425°F (218°C)
	Biscuits, Fresh	450°F (232°C)
	Biscuits, Refrigerated	375°F (191°C)
	Yeast Bread	350°F (177°C)
	Quick Bread	350°F (177°C)
	Pie, Fresh	375°F (191°C)
Pie, Frozen	400°F (204°C)	
Specialty Foods	Quiche	325°F (163°C)
	Souffle	350°F (177°C)
	Angel food cake	350°F (177°C)
Other Foods	Pizza, Fresh	400°F (204°C)
	Pot Pie, Frozen	400°F (204°C)

**1. Touch appropriate Auto Convection pads until desired food item appears.**

**2. Touch START. “Preheat” is displayed.**

**3. When oven reaches the preheat temperature, it will beep and “Place Food on Rack” is displayed.**

**4. Open the door, place food on the Convection Rack, and close door. Touch START.**

When cooking time ends, display will show “END” and 3 tones will sound.

After cooking, the display will return to the time of day when you open the door.

# CONVECTION AND COMBINATION COOKING

## Auto Convection chart

BAKED GOODS	SPECIALTY FOODS	OTHER FOODS
Cookies	Warm Hold	Pizza-Frozen
Brownies	Cornish Hens	Pizza-Fresh
Muffins	Lamb Chops	Lasagna
Biscuits-Fresh	Kabobs	Pasta Casserole
Biscuits-Refrigerated	Quiche	Vegetable Casserole
Yeast Bread	Souffle	Potato Casserole
Quick Bread	Angel Food Cake	Pot Pie-Frozen
Pie-Fresh		
Pie-Frozen		

## Meat

### 1. Touch MEAT pad until desired food appears.

(See Meat chart.)

### 2. Select portion amount.

Touch Number pads to enter weight for Beef Roast, Meat Loaf, Pork Roast or Ham.

Touch Number pads to enter thickness for Steaks, Hamburgers, or Pork Chops.

### 3. Touch Number pads to select desired doneness.

(See following chart.)

### 4. Touch START.

When cooking time ends, display will show "END" and 3 tones will sound.

After cooking, the display will return to the time of day when you open the door.

## Meat chart

MEAT	PORTION AMOUNTS	DONENESS CHOICES
Beef Roast*	2-5 lbs (.9 - 2.3 kg)	Rare, Med-Rare, Medium, Med-Well, Well
Steaks	½ in. - 1½ in. (12.7 - 38 mm)	Rare, Med-Rare, Medium, Med-Well, Well
Hamburgers	½ in. - 1 in. (12.7 - 25.4 mm)	Not Available
Meat Loaf	1 - 2 lbs (.5 - .9 kg)	Not Available
Pork Roast*	2 - 5 lbs (.9 - 2.3 kg)	Medium, Med-Well, Well
Pork Chops	½ in. - 1 in. (12.7 - 25.4 mm)	Medium, Med-Well, Well
Ham-Boneless*	2 - 5 lbs (.9 - 2.3 kg)	Medium, Med-Well, Well
Ham-w/Bone*	2 - 5 lbs (.9 - 2.3 kg)	Medium, Med-Well, Well

\*After cooking, let stand for 10 minutes covered with foil to reach desired doneness.

## Poultry or Fish

### 1. Touch POULTRY or FISH pad until desired food appears.

(See following charts.)

### 2. Select portion amount.

Touch Number pads to enter weight for Chicken, Turkey, Fish Fillet or Fish Steak.

(See following charts.)

### 3. Touch START.

When cooking time ends, display will show "END" and 3 tones will sound.

After cooking, the display will return to the time of day when you open the door.

# CONVECTION AND COMBINATION COOKING

## Poultry chart

POULTRY	PORTION AMOUNTS
Chicken-Frozen Breaded	N/A
Chicken-Boneless	.5 - 2 lbs (.2 - .9 kg)
Chicken-w/Bone	.5 - 3.5 lbs (.2 - 1.6 kg)
Chicken-Whole*	2 - 6 lbs (.9 - 2.7 kg)
Turkey Breast-Boneless*	2 - 4 lbs (.9 - 1.8 kg)
Turkey Breast-w/Bone*	3 - 6 lbs (1.4 - 2.7 kg)

\*After cooking, let stand for 10 minutes covered with foil to reach desired doneness.

## Fish chart

FISH	PORTION AMOUNTS
Fish Fillet-Fresh	.3 - 1.5 lbs (.1 - .7 kg)
Fish Steak-Fresh	.5 - 2 lbs (.2 - .9 kg)
Fish Fillet-Frozen	N/A
Fish Fillet-Frozen/Breaded	N/A
Fish Sticks-Frozen/Breaded	N/A



# CARING FOR YOUR MICROWAVE OVEN

To make sure your microwave oven looks good and works well for a long time, you should maintain it properly. For proper care, please follow these instructions carefully.

**Your microwave oven** has a stainless steel interior. Unlike painted steel interiors found in most other microwave ovens, the surface will not chip, rust, or corrode. Over time, stains can occur on the stainless steel surface as the result of food products splattering during cooking. This is normal.

**Do not use** metal scouring pads on the inside of oven cavity. They will scratch the surface.

**For interior surfaces:** Wash often with warm, sudsy water and a sponge or soft cloth. Use only mild, non-abrasive soaps or a mild detergent. **Be sure to keep the areas clean where the door and oven frame touch when closed.** Wipe well with clean water. Over time, stains can occur on the surfaces as the result of food particles splattering during cooking. This is normal.

For stubborn soil, **boil** a cup (250 mL) of water in the oven for 2 or 3 minutes. Steam will soften the soil. To get rid of odors inside the oven, **boil** a cup (250 mL) of water with lemon juice or vinegar.

**For exterior surfaces and control panel:** Use a soft cloth with spray glass cleaner. Apply the spray glass cleaner to the soft cloth; do not spray directly on the oven.

**NOTE: Abrasive cleansers, steel-wool pads, gritty wash cloths, some paper towels, etc.,** can damage the control panel and the interior and exterior oven surfaces.

**For stainless steel surfaces:**

- **Do not** use steel wool or soap-filled scouring pad.
- **Rub** in the direction of the grain line to avoid marring the surface.
- **Always wipe dry** to avoid water marks.
- **If commercial cleaners are used,** follow label directions. If product contains chlorine (bleach), wipe thoroughly with clean water and dry with a soft lint free cloth. Chlorine is a corrosive substance.

**To clean turntable and turntable support,** wash in mild, sudsy water; for heavily soiled areas use a mild cleanser and scouring sponge. The turntable and turntable support are dishwasher-safe.

**To clean the Convection and Broiling Rack,** wash in mild sudsy water; for heavily soiled areas use a mild cleanser and scouring sponge. Rack is dishwasher-safe. Remove rack from oven when it is not being used for cooking.

CLEANING TASK	WHAT TO USE	HOW TO CLEAN
Routine cleaning and fingerprints.	Liquid detergent/soap and water, or all-purpose cleaner.	Wipe with damp cloth or sponge, then wipe with clean water and dry.
Stubborn stains and baked-on residue	Mildly abrasive cleanser or stainless-steel cleaners	To avoid marring the surface, rub in the direction of grain lines with a damp cloth or sponge and cleanser. Wipe thoroughly with clean water. Repeat if necessary.
Hard water spots	Vinegar	Swab or wipe with cloth. Wipe with clean water and dry.

# QUESTIONS AND ANSWERS

QUESTIONS	ANSWERS
Can I operate my microwave oven without the turntable or turn the turntable over to hold a large dish?	No. If you remove or turn over the turntable, you will get poor cooking results. Dishes used in your oven must fit on the turntable.
Can I use a rack in my microwave oven so that I may reheat or cook on two levels at a time?	You can use a rack only if the rack is supplied with your microwave oven. If you use a rack not supplied with the microwave oven, you can get poor cooking performance and/or arcing.
Can I use either metal or aluminum pans in my microwave oven?	You can use aluminum foil for shielding (use small, flat pieces), small skewers, and shallow foil trays (if tray is not taller than $\frac{3}{4}$ in. [1.9 cm] deep and half filled with food to absorb microwave energy). Never allow metal to touch walls or door. (See "Oven Utensils Guide".)
Is it normal for the turntable to turn in either direction?	Yes. The turntable rotates clockwise or counter-clockwise, depending on the rotation of the motor when the cooking cycle begins.
Sometimes the door of my microwave oven appears wavy. Is this normal?	This appearance is normal and does not affect the operation of your oven.
What are the humming noises that I hear when my microwave oven is operating?	You may hear the sound of the transformer when the magnetron tube cycles on.
Why does the dish become hot when I microwave food in it? I thought that this should not happen.	As the food becomes hot it will conduct the heat to the dish. Be prepared to use hot pads to remove food after cooking.
What does "standing time" mean?	"Standing time" means that food should be removed from the oven and covered for additional time to allow it to finish cooking. This frees the oven for other cooking.
Why does steam come out of the air exhaust vent?	Steam is normally produced during cooking. The microwave oven has been designed to vent this steam out the vents.
Can I pop popcorn in my microwave oven? How do I get the best results?	Yes. Pop packaged microwave popcorn following manufacturer's guidelines or use the preset AUTO SENSOR POPCORN pad. Do not use regular paper bags. Use the "listening test" by stopping the oven as soon as the popping slows to a "pop" every 1 or 2 seconds. Do not repop unpopped kernels. Do not pop popcorn in glass cookware.

# TROUBLESHOOTING

Most cooking problems often are caused by little things you can find and fix without tools of any kind. Check the lists below before calling for assistance or service. If you still need help, see the “Requesting Assistance or Service” section.

## If microwave does not operate, first check the following:

- Is the microwave plugged into a live outlet with the proper voltage? (See installation instructions.)
- Have you blown a household fuse or tripped a circuit breaker?
- Has the electric company experienced a power failure?

## Other possible problems and their causes:

Problem	Cause
<b>The microwave oven will not run.</b>	<ul style="list-style-type: none"><li>● The door is not firmly closed and latched.</li><li>● You did not touch START.</li><li>● You did not follow directions exactly.</li><li>● An operation that was programmed earlier is still running.</li><li>● You have not set the time after touching COOK TIME.</li></ul>
<b>Microwave cooking times seem too long.</b>	<ul style="list-style-type: none"><li>● The electric supply to your home or wall outlets is low or lower than normal. Your electric company can tell you if the line voltage is low. Your electrician or service technician can tell you if the outlet voltage is low.</li><li>● The cook power is not at the recommended setting.</li><li>● Larger amounts of food need longer cooking times.</li></ul>
<b>The turntable will not turn.</b>	<ul style="list-style-type: none"><li>● The turntable is not correctly in place. Make sure the turntable is correct-side up and is sitting securely on center shaft.</li><li>● The support is not operating correctly. Remove turntable, check that the turntable support is properly in place, and restart oven. If turntable support does not move, call a designated service technician for repair. Cooking without the turntable can give you poor results.</li></ul>
<b>The display shows a time counting down but the oven is not cooking.</b>	<ul style="list-style-type: none"><li>● The oven door is not closed completely.</li><li>● You have set the controls as a kitchen timer. Touch TIMER to cancel the Minute Timer.</li></ul>
<b>You do not hear the Programming Tone.</b>	<ul style="list-style-type: none"><li>● The command is not correct.</li></ul>
<b>The fan seems to be running slower than usual.</b>	<ul style="list-style-type: none"><li>● The oven has been stored in a cold area. The fan will run slower until the oven warms up to normal room temperature.</li></ul>
<b>The display is showing “ : ”.</b>	<ul style="list-style-type: none"><li>● There has been a power interruption. Reset the clock.</li></ul>

If none of these items is causing your problem, see the “Requesting Assistance or Service” section.

# REQUESTING ASSISTANCE OR SERVICE

To avoid unnecessary service calls, please check the “Troubleshooting” section. It may save you the cost of a service call. If you still need help, follow the instructions below.

## If you need assistance or service

**Call the KitchenAid Customer Interaction Center toll free at 1-800-422-1230.**



When calling:

Please provide KitchenAid with the purchase date, and the complete model and serial number of your appliance (see the “A Note to You” section). This information will help us better respond to your request.

**Our consultants provide assistance with:**

- Features and specifications on our full line of appliances
- Installation information

- Accessory and repair parts sales
- Specialized customer assistance (Spanish speaking, hearing impaired, limited vision, etc.)
- Referrals to local dealers, service companies, and repair parts distributors

**KitchenAid designated service technicians** are trained to fulfill the product warranty and provide after-warranty service anywhere in the United States.

To locate the KitchenAid designated service company in your area, you can also look in your telephone directory Yellow Pages.

## For further assistance

If you need further assistance, you can write to KitchenAid with any questions or concerns at:

KitchenAid Brand Home Appliances  
Customer Interaction Center  
c/o Correspondence Dept.  
MD 8020  
553 Benson Road  
Benton Harbor, MI 49022-2400

Please include a daytime phone number in your correspondence.

# MICROWAVE OVEN WARRANTY

LENGTH OF WARRANTY:	KITCHENAID WILL PAY FOR:	KITCHENAID WILL NOT PAY FOR:
<b>ONE-YEAR FULL WARRANTY</b> FROM DATE OF PURCHASE	Replacement parts and repair labor costs to correct defects in materials or workmanship. Service must be provided by a KitchenAid designated service company.	<b>A.</b> Service calls to: <ol style="list-style-type: none"> <li>1. Correct the installation of the oven.</li> <li>2. Instruct you how to use the oven.</li> <li>3. Replace house fuses or correct house wiring.</li> </ol> <b>B.</b> Repairs when oven is used in other than normal single-family home use.
<b>SECOND-THROUGH FIFTH-YEAR LIMITED WARRANTY</b> FROM DATE OF PURCHASE	Replacement of magnetron tube to correct defects in materials or workmanship.	<b>C.</b> Damage resulting from accident, alteration, misuse, abuse, fire, flood, acts of God, improper installation, installation not in accordance with local electrical codes or use of products not approved by KitchenAid. <b>D.</b> Any labor costs during the limited warranty. <b>E.</b> Replacement parts or repair labor costs for units operated outside the United States. <b>F.</b> In-home service. Your microwave oven must be taken to a KitchenAid designated service company, except when your microwave oven is installed over an approved KitchenAid oven using an approved built-in kit. (See "Built-in kits" in the "Getting to Know Your Microwave Oven" section for a list of approved built-in kits.) <b>G.</b> Repairs to parts or systems resulting from unauthorized modifications made to the appliance.

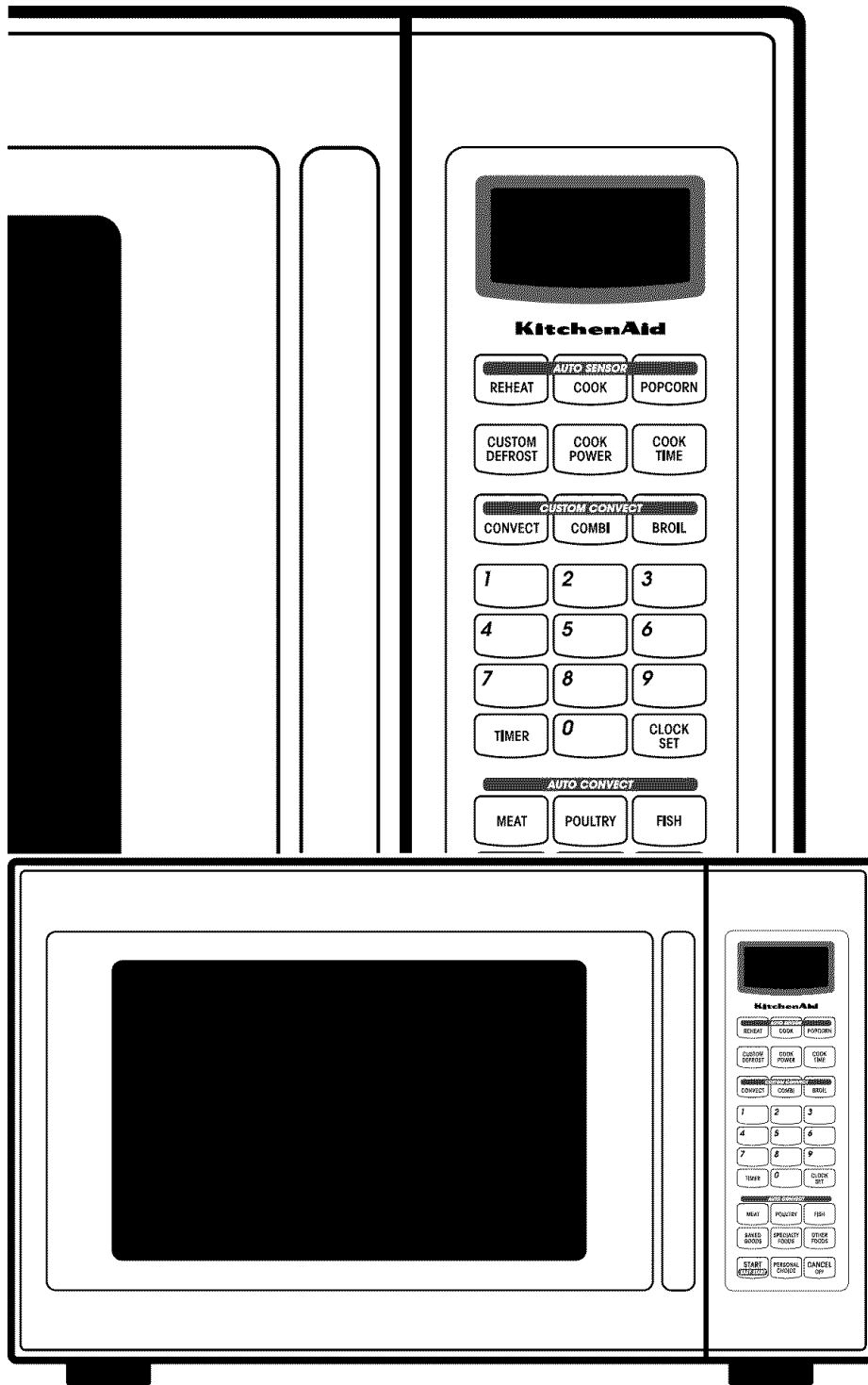
3/00

**KITCHENAID DOES NOT ASSUME ANY RESPONSIBILITY FOR INCIDENTAL OR CONSEQUENTIAL DAMAGES.** Some states do not allow the exclusion or limitation of incidental or consequential damages, so this exclusion or limitation may not apply to you. This warranty gives you specific legal rights and you may also have other rights which may vary from state to state.

**Outside the 50 United States, this warranty does not apply. Contact your authorized KitchenAid dealer to determine if another warranty applies.**

If you need service, first see the "Troubleshooting" section of this book. After checking "Troubleshooting," additional help can be found by checking the "Requesting Assistance or Service" section or by calling our Customer Interaction Center telephone number, **1-800-422-1230**, from anywhere in the U.S.A.

# GUÍA DE USO Y CUIDADO



## KitchenAid® Horno de microondas

Un mensaje para usted.....	2
Seguridad del horno de microondas.....	3
Instrucciones para la instalación.....	5
Conozca su horno de microondas.....	7
Cómo funciona su horno de microondas.....	7
Cómo funciona la cocción por convección.....	7
Cómo funciona la cocción combinada.....	7
Cómo asar.....	7
Consejos para cocinar con el horno de microondas.....	8
Interferencia electromagnética.....	9
Cómo obtener óptimos resultados de cocción.....	9
Cómo probar su horno de microondas.....	9
Lista de utensilios para el horno.....	10
Cómo probar su vajilla o sus utensilios de cocina.....	10
Consejos para la operación.....	10
Conexión eléctrica.....	11
Características del horno de microondas.....	12
Características del panel de control.....	13
Cómo utilizar PERSONAL CHOICE (Selección personal).....	14
Juegos de accesorios para empollar.....	15
Cómo poner el reloj a la hora.....	15
Cómo utilizar el temporizador de minutos.....	15
Como usar su horno de microondas.....	16
Cocción a intensidad alta.....	16
Cocción a distintas intensidades.....	16
Cómo cocinar con más de un ciclo de cocción.....	17
Cómo usar CUSTOM DEFROST (Descongelación personalizada).....	18
Cómo usar descongelación manual.....	18
Consejos para la descongelación.....	18
Cómo utilizar EASY START (Inicio fácil).....	19
Cómo usar Mantener caliente.....	19
Cocción automática con sensor.....	20
Cómo utilizar AUTO SENSOR COOK (Cocción automática con sensor).....	20
Cuadro para cocción automática con sensor.....	20
Cómo utilizar AUTO SENSOR REHEAT (Recalentamiento automático con sensor).....	21
Cuadro para recalentamiento automático con sensor.....	21
Cómo utilizar AUTO SENSOR POPCORN (Palomitas de maíz mediante sensor automático).....	21
Cuadro para palomitas de maíz mediante sensor automático.....	21
Cocción por convección y combinada.....	22
Cocción por convección personalizada.....	22
Cuadro de las temperaturas de precalentamiento.....	22
Consejos útiles para la cocción por convección.....	22
Cómo usar el plato para goteo.....	22
Fermentación de pan.....	23
Cocción combinada personalizada.....	23
Consejos útiles para la cocción combinada.....	23
Cocción personalizada de queso.....	24
Consejos útiles para asar.....	24
Cocción automática por convección.....	24
El cuidado de su horno de microondas.....	27
Preguntas y respuestas.....	28
Diagnóstico y solución de problemas.....	29
Cómo pedir ayuda o servicio.....	30
Garantía.....	34

**1-800-422-1230**  
Para cualquier pregunta o comentario sírvase llamar a nuestro Centro de Interacción del Cliente.

# UN MENSAJE PARA USTED

## Gracias por adquirir un aparato electrodoméstico KITCHENAID®!

KitchenAid diseña las mejores herramientas para la habitación más importante de su hogar. Para cerciorarnos de que usted disfrute muchos años de funcionamiento ininterrumpido, hemos elaborado este Manual de Uso y Cuidado. Éste contiene información valiosa respecto al funcionamiento y mantenimiento apropiado de su nuevo electrodoméstico. Por favor léalo con cuidado.

Asimismo, por favor llene y envíe la Tarjeta de Registro del Producto.

### Para obtener ayuda o servicio

Llame al número gratuito del Centro de Interacción del Cliente .....1-800-422-1230

Si necesita ayuda o servicio, vea primero la sección “Diagnóstico y solución de problemas” de este manual. Después de revisar “Diagnóstico y solución de problemas,” podrá encontrar ayuda adicional consultando la sección “Cómo pedir ayuda o servicio” o llamando al número de teléfono arriba citado.

Siempre que llame, tendrá que saber el número completo del modelo y de la serie de su electrodoméstico. Usted podrá encontrar esta información en la placa/etiqueta con el número del modelo y de la serie (vea el diagrama en la sección “Conozca su horno de microondas.”)

Guarde este manual y el recibo de compra juntos en un lugar seguro para consulta en el futuro.

**Usted debe proporcionar un comprobante de compra o la fecha de instalación para obtener el servicio de la garantía.**

Número de modelo _____	Nombre del fabricante/distribuidor _____
Número de serie _____	Dirección _____
Fecha de instalación _____	Teléfono _____



## Su seguridad y la seguridad de los demás es muy importante.

Hemos incluido muchos mensajes importantes de seguridad en este manual y en su electrodoméstico. Lea y obedezca siempre todos los mensajes de seguridad.



Este es el símbolo de advertencia de seguridad.

Este símbolo le llama la atención sobre peligros potenciales que pueden ocasionar la muerte o una lesión a usted y a los demás.

Todos los mensajes de seguridad irán a continuación del símbolo de advertencia de seguridad y de la palabra "PELIGRO" o "ADVERTENCIA". Estas palabras significan:

**⚠ PELIGRO**

Si no sigue las instrucciones **de inmediato**, usted puede morir o sufrir una lesión grave.

**⚠ ADVERTENCIA**

Si no sigue las instrucciones, usted puede morir o sufrir una lesión grave.

Todos los mensajes de seguridad le dirán el peligro potencial, le dirán cómo reducir las posibilidades de sufrir una lesión y lo que puede suceder si no se siguen las instrucciones.

## INSTRUCCIONES IMPORTANTES DE SEGURIDAD

Cuando se usan aparatos electrodomésticos, deben tomarse precauciones de seguridad, incluyendo las siguientes:

**ADVERTENCIA:** Para reducir el riesgo de quemaduras, electrocución, fuego, daños personales o exposición a energía excesiva de microondas:

- Lea todas las instrucciones antes de usar el horno de microondas.
- Lea y siga las "PRECAUCIONES PARA EVITAR LA POSIBLE EXPOSICIÓN A ENERGÍA EXCESIVA DE MICROONDAS" específicas que se encuentran en esta sección.
- El horno de microondas debe estar conectado a tierra. El enchufe se debe conectar a un tomacorriente con polo a tierra. Vea "INSTRUCCIONES PARA CONEXIÓN A TIERRA" en la sección "Instrucciones para la instalación".
- Instale o ubique el horno de microondas sólo de acuerdo a las instrucciones para instalación provistas.
- Algunos productos tales como huevos enteros con la cáscara y recipientes herméticos - por ejemplo, frascos de vidrio cerrados - pueden explotar y no deben calentarse en el horno de microondas.
- Use el horno de microondas solamente como se describe en este manual. No use productos químicos o vapores corrosivos en el horno de microondas. Este tipo de horno está específicamente diseñado para calentar, cocinar o deshidratar comida. Este no está diseñado para uso industrial o de laboratorio.
- Lo mismo que con cualquier aparato electrodoméstico, es necesario supervisar de cerca si lo usan los niños.
- No opere el horno de microondas si el cable o el enchufe están dañados, si el horno no funciona correctamente o si se ha dañado o caído.
- El horno de microondas debe ser revisado y reparado sólo por personal técnico calificado. Llame a una compañía de servicio autorizada para el examen, reparación y ajuste.
- No cubra o bloquee ninguna abertura en el horno de microondas.
- No guarde el horno de microondas a la intemperie. No use el horno de microondas cerca del agua - por ejemplo, cerca del fregadero en la cocina, en un sótano húmedo o cerca de una alberca o lugares similares.

**GUARDE ESTAS INSTRUCCIONES**

continúa en la página siguiente

## INSTRUCCIONES IMPORTANTES DE SEGURIDAD

- No sumerja el cable o el enchufe en agua.
- Mantenga el cable alejado de superficies calientes.
- No deje que el cable cuelgue del borde de una mesa o mostrador.
- Vea las instrucciones para limpiar la superficie de la puerta en la sección "Cuidado de su horno de microondas".
- No opere ningún aparato electrodoméstico de calefacción o de cocina debajo del horno de microondas.
- No instale el horno de microondas por arriba o cerca de cualquier parte de un aparato electrodoméstico de calefacción o de cocina.
- No monte el horno sobre un fregadero.
- No ponga nada directamente sobre el techo del horno de microondas cuando éste esté funcionando.
- Para reducir el riesgo de incendio en la cavidad del horno:
  - No recocine los alimentos. Preste cuidadosa atención al horno si usa papel, plástico u otro material combustible dentro del horno para facilitar la cocción.
  - Quite las ataduras de alambre de las bolsas de papel o plástico antes de ponerlas en el horno.
  - Si algún elemento se prende fuego dentro del horno, mantenga la puerta cerrada, apague el horno y desenchúfelo o corte la corriente con los fusibles o el disyuntor.
  - No use la cavidad para guardar cosas. No deje productos de papel, utensilios de cocina o comida en la cavidad cuando no esté en uso.

## GUARDE ESTAS INSTRUCCIONES

## PRECAUCIONES PARA EVITAR LA POSIBLE EXPOSICIÓN A ENERGÍA EXCESIVA DE MICROONDAS

- (a) No intente operar este horno con la puerta abierta ya que esto puede resultar en exposición nociva a energía de microondas. Es importante no forzar o tocar las trabas de seguridad.
- (b) No ponga ningún objeto entre la cara frontal del horno y la puerta y no permita que se acumule polvo o residuos de limpiadores en las superficies de sellado.
- (c) No opere el horno si éste está dañado. Es particularmente importante que la puerta del horno cierre correctamente y que no haya daño en:
  - (1) La puerta (torcida),
  - (2) Bisagras y seguros (rotos o flojos),
  - (3) Sellado de la puerta y superficies de sellado.
- (d) El horno no debe ser ajustado o reparado por nadie, excepto personal de servicio calificado.

# INSTRUCCIONES PARA LA INSTALACIÓN

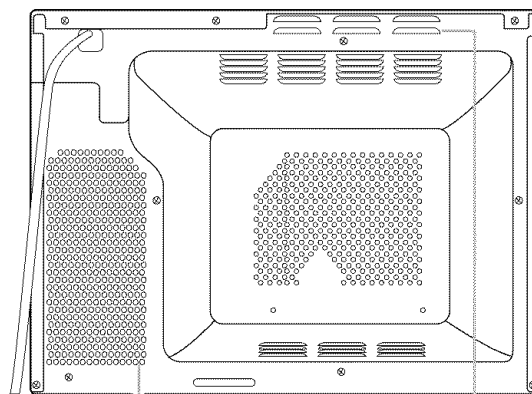
Antes de comenzar a operar el horno, lea las siguientes instrucciones con cuidado.

**1. Desocupe** el horno de microondas. Limpie el interior con un paño húmedo y suave. **Revise** si hay algún daño, por ejemplo si la puerta no está correctamente alineada, daño alrededor de la puerta o abolladuras dentro del horno o en el exterior. Si hay algún daño, no opere el horno hasta que un técnico de servicio designado lo haya revisado y haya hecho las reparaciones necesarias.

**2. Coloque** el horno sobre un carrito, mostrador, mesa o estante lo suficientemente fuerte para sostener el horno y la comida y los utensilios que usted ponga en él. **(El lado donde están los controles es más pesado. Tenga cuidado cuando lo mueva).** El peso del horno es aproximadamente 55 lbs (25 kg). El horno de microondas debe estar a una temperatura superior a los 50°F (10°C) para funcionar correctamente.

**NOTA:** Usted puede fijar su horno de microondas en una pared o en una alacena usando uno de los juegos de accesorios enumerados en la sección "Juegos de accesorios para empotrar".

**NOTA :** No bloquee las ventilaciones o las aberturas para toma de aire. Deje un espacio de algunas pulgadas en la parte de atrás del horno donde están las aberturas para toma de aire. El bloqueo de las ventilaciones puede resultar en daños al horno y mala cocción. Asegúrese de que las patas del horno de microondas estén colocadas correctamente para permitir la circulación de aire. Si los orificios de ventilación están obstruidos, un dispositivo térmico sensible de seguridad puede apagar el horno automáticamente. Una vez que se haya enfriado, el horno funcionará correctamente.



**Cable de alimentación**  
**Abertura para toma de aire** (parte posterior)  
**Ventilación** (parte posterior)

## Requisitos eléctricos

Cumpla con todos los códigos y órdenes vigentes. Se requiere un suministro de electricidad de 120 voltios, 60 Hz, únicamente CA de 15 ó 20 amperios con fusible. (Se recomienda un fusible de acción retardada.) Se recomienda el uso de un circuito dedicado exclusivamente para este aparato electrodoméstico.

### ⚠️ ADVERTENCIA



#### Peligro de Incendio

No instale el horno al lado o encima de una fuente de calor si no dispone de un juego de accesorios para empotrar autorizado de UL.

No seguir esta instrucción puede ocasionar la muerte, incendio o choque eléctrico.

### ⚠️ ADVERTENCIA



#### Peligro de Choque Eléctrico

Conecte a un contacto de pared de conexión a tierra de 3 terminales.

No quite el terminal de conexión a tierra.

No use un adaptador.

No use un cable eléctrico de extensión.

No seguir estas instrucciones puede ocasionar la muerte, incendio o choque eléctrico.

# INSTRUCCIONES PARA LA INSTALACIÓN

## Requisitos eléctricos (cont.)

### INSTRUCCIONES PARA LA CONEXIÓN A TIERRA

- **Para todos los aparatos electrodomésticos conectados con cable:**

El horno de microondas debe estar conectado a tierra. En caso de que se produzca un corto circuito, la conexión a tierra reduce el riesgo de choque eléctrico por medio de un alambre de escape para la corriente eléctrica. El horno de microondas está equipado con un cable que tiene un alambre de conexión a tierra con un enchufe para conexión a tierra. El enchufe debe estar conectado a un tomacorriente que está correctamente instalado y conectado a tierra.

**ADVERTENCIA:** El uso incorrecto de la conexión a tierra puede resultar en riesgo de choque eléctrico.

Consulte con un electricista o técnico calificado si las instrucciones para conexión a tierra no se entienden bien o si hay alguna duda con respecto a la correcta conexión a tierra del horno de microondas.

No use un cable de extensión. Si el cable es muy corto, haga que un electricista o técnico calificado instale un tomacorriente cerca del horno de microondas.

- **Para aparatos electrodomésticos de conexión permanente:**

El horno de microondas debe conectarse a un sistema de alambrado metálico permanente con conexión a tierra o un conductor de conexión a tierra para equipos debe funcionar con los conductores del circuito y estar conectado a la terminal o conductor de la conexión a tierra para equipos en el aparato electrodoméstico.

## GUARDE ESTAS INSTRUCCIONES

# CONOZCA SU HORNO DE MICROONDAS

Esta sección describe los conceptos de cocción con microondas. También le muestra los elementos básicos que usted debe conocer para operar su horno de microondas. Por favor lea esta información antes de usar su horno.

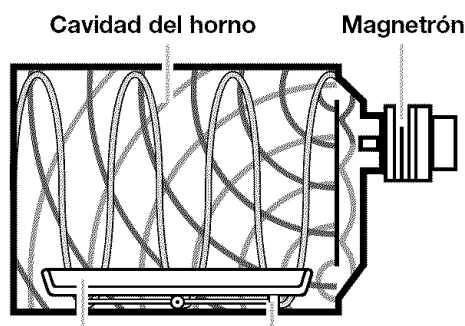
## Cómo funciona su horno de microondas

La energía de microondas no produce calor. Esta energía hace que los alimentos generen su propio calor y éste a su vez hace que los alimentos se cocinen.

Las microondas son como las ondas de TV, radio o luz. Usted no las puede ver, pero puede ver lo que hacen.

**Un magnetrón** produce las microondas en un horno de microondas. Las microondas se mueven dentro del horno donde se ponen en contacto con los alimentos mientras éstos giran sobre la bandeja giratoria.

**Su horno dispone de un sistema de distribución múltiple de microondas.** La energía de las microondas se libera en dos ubicaciones, logrando así una cocción mejor y más uniforme.



Bandeja giratoria de vidrio Piso de metal

La **bandeja giratoria de vidrio** de su horno de microondas permite que las microondas pasen. Luego, éstas rebotan en el piso de metal, atraviesan de nuevo la bandeja giratoria de vidrio y son absorbidas por los alimentos.

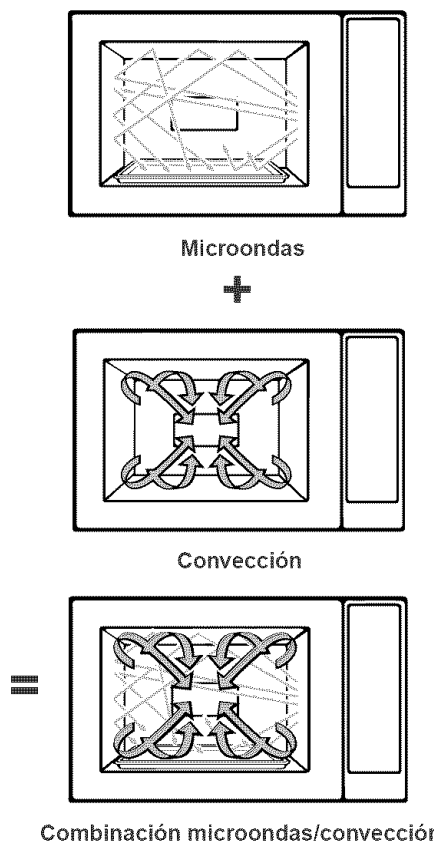
**Las microondas** pasan a través de la mayoría de los tipos de vidrio, papel y plástico sin calentarlos, de manera que el alimento absorbe la energía. Las microondas rebotan en los recipientes de metal, por lo tanto los alimentos no absorben la energía.

## Cómo funciona la cocción por convección

La cocción por convección circula aire caliente por la cavidad del horno por medio de un ventilador. El aire en constante movimiento rodea la comida y calienta las partes exteriores rápidamente. Su horno utiliza cocción por convección siempre que use los programas de cocción automática, cocción por convección manual o cocción combinada. **NO UTILICE EL HORNO SIN QUE LA BANDEJA GIRATORIA ESTÉ EN SU LUGAR.**

## Cómo funciona la cocción combinada

En algunas ocasiones la cocción combinada por microondas/convección se recomienda para obtener los resultados de cocción apropiados. Acorta el tiempo de cocción para alimentos que normalmente necesitan un período largo de cocción. Este proceso de cocción también deja las carnes jugosas en el interior y crujientes en el exterior. En la cocción combinada, el calor por convección y la energía por microondas se alternan automáticamente. Su horno tiene un ajuste que hace que sea fácil cocinar tanto con calor por convección como por energía por microondas automáticamente.



## Cómo asar

El asado se logra mediante dos elementos de calentamiento radiantes que están en la parte superior del horno de microondas. Un ventilador circula el aire caliente en la cavidad del horno. Los alimentos que están en la parrilla para asar se cocinan mediante el calor radiante y aire caliente que circula.

# CONOZCA SU HORNO DE MICROONDAS

## Consejos para cocinar con el horno de microondas

### Cantidad de alimentos

- **Si usted aumenta o disminuye** la cantidad de alimentos que prepara, el tiempo requerido para cocinarlos también cambiará. Por ejemplo, si usted usa el doble de una receta, agregue un poco más de la mitad del tiempo de cocción original. Verifique si el alimento está cocido y, si es necesario, agregue más tiempo en incrementos pequeños.

### Temperatura inicial del alimento

- **Cuanto más baja sea la temperatura** del alimento que usted coloca en el horno de microondas, mayor será el tiempo requerido para su cocción. Los alimentos a temperatura ambiente se recalentarán más rápidamente que los alimentos que están a la temperatura del refrigerador.

### Composición del alimento

- **Los alimentos con mucha grasa o azúcar** se calentarán más rápido que los alimentos con alto contenido de agua. La grasa y el azúcar alcanzan también una temperatura más alta que el agua durante el proceso de cocción.
- **Cuanto más denso es el alimento**, mayor es el tiempo requerido para calentarlo. Alimentos “muy densos” como las carnes necesitan más tiempo para recalentarse que los alimentos más livianos o más porosos como pasteles esponjosos.

### Forma y tamaño

- **Las piezas más pequeñas de alimentos** se cocinarán más rápido que las piezas más grandes y piezas con la misma forma se cocinarán en forma más pareja que los alimentos con forma diferente.
- **En los alimentos con grosores diferentes**, las partes más delgadas se cocinarán más rápido que las partes más gruesas. **Coloque** las partes más delgadas de las alas y piernas de pollo en el centro del plato.

### Rotación y mezcla de alimentos

- **Cuando usted rota o revuelve los alimentos**, el calor se distribuye rápidamente al centro del plato y evita que los bordes del alimento se recocinen.

### Tapando los alimentos

Tape los alimentos para:

- **Reducir** salpicaduras
- **Acortar** los tiempos de cocción
- **Retener** la humedad de los alimentos

Todas las tapas que permiten pasar las microondas son adecuadas. Para más información acerca de los materiales que permiten el paso de las microondas, ver la sección “Conozca su horno de microondas”. Si utiliza la función Sensor, cerciórese de que disponga de ventilación.

### Liberación de la presión de los alimentos

- **Diversos alimentos** (por ejemplo; papas al horno, salchichas, yemas de huevo y algunas frutas) están herméticamente cubiertos por una piel o membrana. Esto puede causar que los alimentos estallen por la acumulación de vapor bajo la membrana mientras se cocinan. Para aliviar la presión y prevenir los estallidos, **tranche** estos alimentos con un tenedor, un palillo para cocktail o escarbadientes antes de cocinarlos.

### Tiempo de reposo

- **Siempre deje reposar los alimentos** después de cocinar. El período de reposo después de cocinar o descongelar mejora el resultado ya que la temperatura se distribuye en forma pareja a través del alimento.
- **La duración del tiempo de reposo** depende del volumen y la densidad del alimento. A veces puede ser tan corto como el tiempo que le lleva sacar los alimentos del horno y servirlos en la mesa. Sin embargo, con alimentos más voluminosos y más densos, la duración de tiempo de reposo puede durar hasta 10 minutos.

### Distribución de los alimentos

Para resultados óptimos, distribuya los alimentos en forma pareja sobre el plato. Usted puede hacer esto de varias maneras:

- **Si usted está cocinando varias piezas del mismo tipo de alimento**, como papas al horno, **colóquelas** en forma de anillo para una cocción uniforme.
- **Cuando cocine alimentos con forma o espesor irregular, tales como pechugas de pollo, coloque** las partes más pequeñas y delgadas hacia el centro del plato donde se calentarán hasta el final.
- **Apile las rodajas delgadas de carne** una sobre otra.
- **Cuando usted cocine o recaliente pescado entero, haga un corte** en la piel - esto evita que se agriete.
- **No deje** que los alimentos o los recipientes toquen el techo o los costados del horno. Esto evitará la posible formación de chispas.

## Uso de papel de aluminio

No deben usarse recipientes de metal en el horno de microondas. Sin embargo, hay algunas excepciones. Si usted ha comprado alimentos que están pre-empaquetados en un recipiente de papel de aluminio, siga las instrucciones del paquete. Si usa recipientes de papel de aluminio, los tiempos de cocción pueden ser más largos porque las microondas penetrarán sólo la parte superior del alimento. (Vea la sección “Guía de utensilios para el horno”).

Si usted usa recipientes de aluminio que no tienen instrucciones en el paquete, siga las siguientes indicaciones:

- **Coloque** el recipiente en un tazón de vidrio y agregue un poco de agua para que cubra la base del recipiente, a no más de ¼ pulg (6.4 mm) de alto. Esto asegura un calentamiento parejo en la base del recipiente.
- **Siempre quite** la tapa para evitar que el horno se dañe.
- **Use sólo** recipientes que no estén dañados.
- **No use** recipientes más altos de ¾ pulg (19 mm).
- **El recipiente debe de estar** lleno por lo menos hasta la mitad.
- **Para evitar que se formen chispas**, debe de haber como mínimo ¼ pulg (6.4 mm) entre el recipiente de aluminio y las paredes del horno lo mismo que entre dos recipientes de aluminio.
- **Siempre coloque** el recipiente sobre la bandeja giratoria.
- **El recalentamiento de alimentos** en recipientes de papel de aluminio lleva el doble de tiempo que recalentarlos en recipientes de plástico, vidrio, porcelana o papel. El tiempo requerido para que los alimentos estén listos depende del tipo de recipiente que usted usa.
- **Deje reposar los alimentos** por 2 ó 3 minutos después de calentar para que el calor se distribuya en forma pareja a través del recipiente.

## Lo que usted no debe cocinar en su horno de microondas

- **No envase** alimentos en el horno. Los frascos de vidrio cerrados pueden explotar, resultando en daños al horno.
- **No use** el horno de microondas para esterilizar objetos (botellas de bebé, etc.). Es difícil mantener la temperatura alta requerida para una esterilización.

## Interferencia electromagnética

El uso de su horno de microondas puede causar interferencia con su radio, TV o equipos similares. Si hay interferencia, usted puede reducirla o eliminarla:

- **Limpiando** la puerta y las superficies sellantes del horno.
- **Ajustando** la antena receptora de la radio o la televisión.
- **Moviendo** la radio/televisión para que estén alejadas del horno de microondas.
- **Enchufando** el horno de microondas en otro tomacorriente para que el horno de microondas y el radio/TV estén en distintos circuitos eléctricos.

## Cómo obtener óptimos resultados de cocción

- **Siempre cocine los alimentos** por el tiempo más corto recomendado. Revise cómo los alimentos se están cocinando. Si es necesario, **toque** el botón EASY START (Inicio fácil) mientras el horno está funcionando o después del ciclo de cocción. (Vea la sección “Cómo usar EASY START”).
- **Revuelva, rote o redistribuya** los alimentos que se están cocinando a la mitad del tiempo de cocción para todas las recetas. Esto le ayudará a asegurarse de que los alimentos estén cocinados en forma pareja.
- **Si usted no tiene una tapa para un plato**, use papel encerado o toallas de papel aprobadas para uso con microondas o película de plástico. Recuerde doblar una esquina de la película de plástico para que el vapor salga durante la cocción.

## Cómo probar su horno de microondas

Para probar el horno, ponga 1 taza (250 mL) de agua fría en un recipiente de vidrio dentro del horno. Cierre la puerta. Verifique que esté asegurada. Cocine a 100% de intensidad durante 2 minutos. Cuando el tiempo se cumpla, el agua debe de estar caliente.



# CONOZCA SU HORNO DE MICROONDAS

## Guía de utensilios para el horno

Usted puede utilizar una variedad de utensilios y materiales en su horno de microondas-convección. Para prevenir daños a utensilios y a su horno, elija utensilios y materiales apropiados para cada método de cocción. La lista a continuación es una guía general que le ayudará a seleccionar los utensilios y materiales correctos.

SÍ: Utensilios que puede usar

NO: Utensilios que debe evitar

MATERIAL	UTENSILIOS	COCCIÓN POR MICROONDAS	COCCIÓN COMBINADA	COCCIÓN POR CONVECCIÓN/ASAR
Cerámica y Vidrio	Cerámica	SÍ	SÍ	SÍ
	Utensilios de vidrio templado para y de microondas	SÍ	SÍ	SÍ
	Utensilios de vidrio con decoración de metal	NO	NO	SÍ
	Cristal de plomo	NO	NO	SÍ
Porcelana	Sin decoración de metal (templado y para horno)	SÍ	SÍ	SÍ
Barro	Barro para horno	SÍ	SÍ	SÍ
Plástico	Para horno	SÍ	SÍ	SÍ
	Utensilios de plástico para horno de microondas	SÍ	NO	NO
Metal	Rejilla para hornear/asar	NO	NO	SÍ
	Molde de metal para hornear	NO	NO	SÍ
Papel de aluminio		*	*	SÍ
Papel	Tazas, Platos, Toallas	SÍ	NO	NO
Paja, Mimbre, Madera		SÍ	NO	NO
Papel encerado		SÍ	NO	NO
Envoltura de plástico		SÍ	NO	NO

\* Consulte "Consejos para cocinar" y "Preguntas y Respuestas" para verificar el uso apropiado.

## Cómo probar su vajilla o sus utensilios de cocina

**Pruebe la vajilla o los utensilios de cocina antes de usarlos.** Para saber si un plato se puede usar en forma segura, colóquelo en el horno junto a 1 taza (250 mL) de agua. Cocine a 100% de intensidad durante un minuto. **Si el plato se calienta y el agua aún está fría, no lo use.** Algunos platos (melamina, ciertas vajillas de cerámica, etc.) absorben energía de microondas, y pueden calentarse demasiado y su manejo puede dificultarse o hacer más lentos los tiempos de cocción. La cocción en recipientes de metal que no están diseñados para uso con microondas puede dañar el horno, lo mismo que recipientes con metal escondido (ataduras de alambre revestido, revestimiento de aluminio, grapas, esmalte o adornos metálicos).

## Consejos para la operación

- **Nunca** se apoye sobre la puerta o permita que los niños se columpien de ella mientras esté abierta.
- **Use guantes para horno.** La energía de microondas no calienta los recipientes, pero el calor de los alimentos puede hacer que el recipiente se caliente.
- **No** use periódicos u otros papeles impresos en el horno.
- **No** seque flores, frutas, hierbas, madera, papel, calabazas o ropa en el horno.
- **No** encienda un horno de microondas cuando esté vacío. La duración del producto se puede acortar. Si practica con la programación del horno, **coloque** un recipiente con agua en el horno. Es normal que la puerta parezca ondulada cuando el horno ha estado funcionando por un tiempo.
- **No** trate de fundir parafina en el horno. La parafina no se fundirá en un horno de microondas porque permite que las microondas la atraviesen.
- **No** opere el horno de microondas a menos que la bandeja giratoria esté asegurada en su lugar y pueda rotar con libertad. La bandeja giratoria puede rotar en ambas direcciones. **Asegúrese de** que el lado correcto de la bandeja giratoria esté hacia arriba. **Maneje su bandeja giratoria con cuidado** al sacarla del horno para evitar que se rompa. Si su bandeja giratoria se quiebra o se astilla, llame a su distribuidor para reemplazarla.
- **Cuando use un plato para dorar alimentos,** el fondo del plato debe quedar a una distancia de por lo menos  $\frac{3}{8}$  pulg (5 mm) por arriba de la bandeja giratoria. Siga las instrucciones provistas con el plato para dorar alimentos.



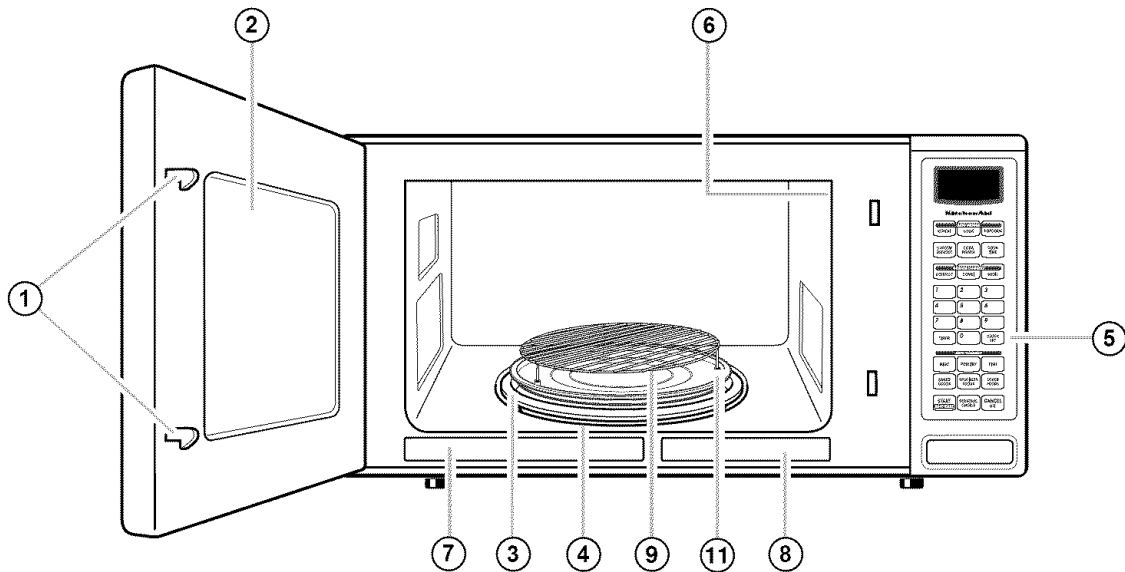
- **Nunca cocine o recaliente un huevo entero con la cáscara.** La acumulación de vapor en huevos enteros puede hacer que revienten y posiblemente el horno se dañe. **Rebane** los huevos duros antes de calentarlos. En raras ocasiones ha ocurrido que los huevos poché han explotado. **Cubra** los huevos poché y **déjelos reposar** durante un minuto antes de cortarlos.
- **Para óptimos resultados, revuelva los líquidos varias veces durante el calentamiento o recalentamiento.** Los líquidos calentados en algunos recipientes (especialmente recipientes con forma cilíndrica) se pueden calentar excesivamente. El líquido puede salpicar haciendo un ruido fuerte durante o después del calentamiento o cuando se agregan ingredientes (gránulos de café, bolsitas de té, etc.). Esto puede dañar el horno.
- **Las microondas** pueden no llegar al centro de un asado. El calor se extiende al centro desde la parte de afuera cocinada, lo mismo que cuando se cocina en un horno común. Esta es una de las razones para dejar que algunos alimentos (por ejemplo asados o papas horneadas) reposen por un tiempo luego de cocinar, o para revolver algunas comidas mientras se están cocinando.
- **No haga frituras en el horno.** Los utensilios para cocinar con microondas no son apropiados y es difícil mantener las temperaturas apropiadas para freír.
- **No sobrecozque las papas.** Al final del tiempo de cocción recomendado, las papas deben de estar ligeramente firmes porque se seguirán cocinando durante el tiempo de reposo. **Luego de cocinar con microondas, déjelas reposar por 5 minutos.** Éstas se terminarán de cocinar durante el tiempo de reposo.

## Conexión eléctrica

Los tiempos de cocción serán más prolongados en caso de que **su suministro de energía eléctrica o el voltaje de salida** sea menor a 110 voltios. Haga que un electricista calificado compruebe su sistema eléctrico.

# CONOZCA SU HORNO DE MICROONDAS

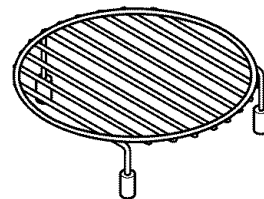
## Características del horno de microondas



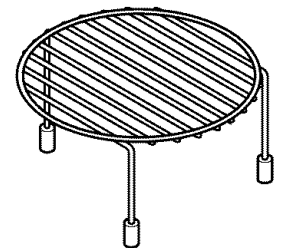
Su horno de microondas está diseñado para que su experiencia culinaria le sea lo más placentera y productiva posible. Para que usted pueda comenzar inmediatamente, a continuación hay una lista de las características básicas del horno:

- 1. Sistema de traba de seguridad de la puerta.**  
El horno no funcionará a menos que la puerta esté correctamente cerrada.
- 2. Ventana con protección metálica.** La protección evita que las microondas escapen. Está diseñada como una malla para que usted pueda ver los alimentos mientras se cocinan.
- 3. Bandeja giratoria de vidrio.** Esta bandeja giratoria hace girar los alimentos mientras se cocinan para que la cocción sea más pareja. Debe estar en el horno durante el funcionamiento para óptimos resultados en la cocción. La bandeja giratoria está empotrada en el piso de la cavidad para darle más espacio para cocinar y obtener mejores resultados en la cocción.
- 4. Soporte de la bandeja giratoria amovible** (debajo de la bandeja giratoria).
- 5. Panel de control.** Toque los botones en este panel para realizar todas las funciones.
- 6. Luz** (no se muestra). Se prende automáticamente cuando la puerta se abre o cuando el horno está funcionando.

- 7. Etiqueta con guía para cocinar.**
- 8. Placa con número de modelo y de serie.**
- 9. Rejilla para convección** (Pieza No. 8172251). Úsela para cocinar por convección o combinación.
- 10. Parrilla para asar** (Pieza No. 8172252) (se muestra a continuación). Use esta parrilla con la bandeja para recoger los jugos o grasa de alimentos tales como trozos de pescado, pechugas de pollo y hamburguesas.
- 11. Platón para goteo** (Pieza No. 8172250). El platón para goteo es útil para recibir grasa de alimentos que gotean grasa durante la cocción por convección o por combinación.



Rejilla para convección



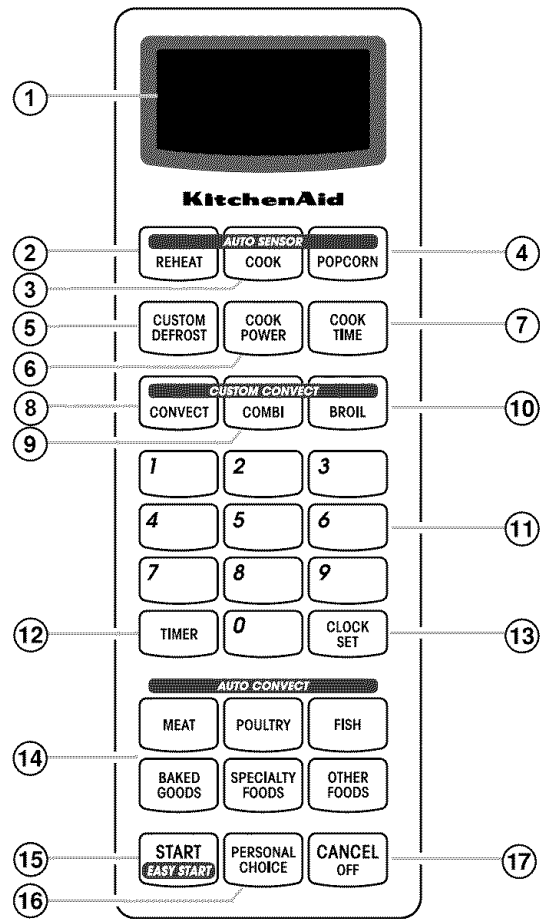
Parrilla para asar

## Características del panel de control

El panel de controles de su horno de microondas le permite seleccionar las funciones de cocción deseadas en forma rápida y fácil. La siguiente es una lista de todos los botones de Comandos ubicados en el panel de control.

Para más información sobre estas características, vea la sección “Cómo usar su horno de microondas”.

1. **Pantalla.** La pantalla incluye un reloj e indicadores que le muestran la hora del día, el tiempo de cocción programado, las intensidades de cocción, la cantidad, el peso y las funciones de cocción.
2. **AUTO SENSOR REHEAT (Recalentamiento automático con sensor).** Toque este botón para recalentar alimentos de una de las categorías de alimentos disponibles.
3. **AUTO SENSOR COOK (Cocción automática con sensor).** Toque este botón para cocinar alimentos de una de las categorías de alimentos disponibles.
4. **AUTO SENSOR POPCORN (Palomitas de maíz mediante sensor automático).** Toque este botón para preparar una bolsa de palomitas de maíz de cualquiera de 3 tamaños.
5. **CUSTOM DEFROST (Descongelación personalizada).** Toque este botón para descongelar los alimentos congelados por peso o cantidad.
6. **COOK POWER (Intensidad de cocción).** Toque este botón para fijar la cantidad de energía de microondas liberada para cocinar los alimentos. Cuánto más alto el número, más alto será el vataje de corriente y más rápida la “velocidad de cocción.”
7. **COOK TIME (Tiempo de cocción).** Toque este botón para fijar el tiempo de cocción.
8. **CUSTOM CONVECT (Convección personalizada).** Toque este botón para cocinar en la modalidad de Convección. Vea “Cocción por Convección y Combinada”.
9. **CUSTOM COMBI (Combinación personalizada).** Toque este botón para cocinar en la modalidad de Combinación. Vea “Cocción Combinada”.
10. **CUSTOM BROIL (Asado personalizado).** Toque este botón para cocinar en la modalidad de Asado personalizado. Vea “Cómo utilizar su horno de microondas.”
11. **Botones numerados.** Toque los botones numerados para controlar el volumen del sonido, peso, idioma, desplazar la velocidad en la pantalla, reloj, modo de demostración, tiempos de cocción, intensidades de cocción o cantidades.
12. **TIMER (Temporizador).** Toque este botón para fijar o cancelar la función del temporizador.
13. **CLOCK SET (Fijar el reloj).** Toque este botón para fijar la hora correcta del día.



14. **Botones AUTO CONVECTION (Convección automática).** Toque uno de estos botones para seleccionar el tipo de comida que va a cocinar, (vea páginas 22 - 26). Toque el botón SPECIALTY FOODS (Alimentos Especiales) una vez para Mantener Caliente. Vea la sección “Como utilizar Mantener Caliente.”
15. **START/EASY START (Inicio/Inicio fácil).** Toque este botón para iniciar una función que hubiese fijado o para cocinar la comida al 100% de intensidad de cocción durante 30 segundos.
16. **PERSONAL CHOICE (Selección personal).** Toque este botón para cambiar el volumen a bajo, medio, alto o apagado, para cambiar el sistema de peso de libras a kilogramos, para cambiar el idioma utilizado, para cambiar la velocidad de desplazamiento del texto en pantalla, para modificar la marcación del reloj, de 12 horas a 24 horas, o para encender o apagar el modo de demostración.
17. **CANCEL/OFF (Cancelar/Apagar).** Toque este botón una vez para borrar un comando incorrecto o para cancelar un programa durante la cocción. Este botón no borra la hora del día.

# CONOZCA SU HORNO DE MICROONDAS

## Características del panel de control (cont.)

### Señales audibles

Su horno de microondas dispone de señales audibles como una guía cuando usted está programando y usando su horno:

- Habrá una señal audible de programación cada vez que usted toca un botón.
- Tres señales audibles le avisarán cuando el ciclo de cocción termina y cinco señales le indican que se llegó al final de la función del temporizador.

**NOTA:** Se pueden suprimir las señales audibles de su horno. Para hacerlo, vea la sección "Cómo utilizar PERSONAL CHOICE (Selección personal)". Esto funcionará únicamente cuando el horno esté en la modalidad de reserva.

### Interrupción de la cocción

Usted puede detener el horno durante el ciclo abriendo la puerta. El horno deja de calentar y el ventilador se detiene, pero la luz queda encendida. Para volver a comenzar la cocción, cierre la puerta y

**Toque START.**

**Si usted no desea continuar con la cocción:**

- Cierre la puerta y la luz se apaga.

○

- Toque **CANCEL/OFF**.

**NOTA:** Antes de programar una función, **toque CANCEL/OFF** para asegurar que no haya otra función programada.

### Cómo usar el seguro para niños

El seguro para niños traba el panel de control de manera que los niños no puedan utilizar el horno de microondas cuando usted no desea que lo hagan. Esto funcionará únicamente cuando el horno esté en la modalidad de reserva.

**Cómo trabar el panel de control:**

**Toque y mantenga oprimido CANCEL/OFF** hasta que aparezca "CONSEG" en la pantalla (aproximadamente por 4 segundos). (Se escuchará una señal audible).

**Cómo destrabar el panel de controles:**

**Toque y detenga CANCEL/OFF** hasta que aparezca "SINSEG" en la pantalla. (Se escucharán dos señales audibles).

## Cómo utilizar PERSONAL CHOICE (Selección personal) :

Usted puede seleccionar o cambiar las siguientes funciones o indicaciones en la pantalla al oprimir PERSONAL CHOICE (Selección personal)

Función	Selección
Volumen de sonido	Cambia a bajo, medio, alto o apagado.
Peso	Cambia al sistema estándar (lbs) o al métrico (kgs).
Idioma	Cambia al inglés, francés o español.
Desplazamiento de Pantalla	Cambia la velocidad.
Reloj	Cambia a 12 horas o a 24 horas o lo enciende/apaga.
Modo de Demostración	Enciende o apaga.

### 1. Toque PERSONAL CHOICE.

El nombre de la categoría cambia en secuencia. Cuando la categoría deseada aparece, toque START. Por ejemplo, para cambiar el sistema de peso usted verá:



### 2. Toque PERSONAL CHOICE dos veces para llegar a "LBS/KGS". Toque START. Toque PERSONAL CHOICE de nuevo para seleccionar "LBS" o "KGS".

### 3. Toque START.

## Juegos de accesorios para empotrar

Usted puede empotrar su horno de microondas utilizando alguno de los juegos de accesorios que aparecen a continuación\*. Estos juegos están disponibles con su distribuidor. Si su distribuidor no tiene en existencia el juego que usted desea, puede pedirlo llamando al **1-800-422-1230**, usando el número de modelo del juego y siguiendo las instrucciones y guías telefónicas que se escuchan.

TAMAÑO	COLOR	NO. DE MODELO DEL JUEGO	PARA INSTALACIÓN ENCIMA DEL MODELO DE HORNO	
27" (69 cm)	Negro	MK1157XJB	KEBI171D	KEBS177D
30" (76 cm)	Negro	MK1150XJB	KEBI171D	KEBS177D
27" (69 cm)	Blanco	MK1157XJQ	KEBI171D	KEBS177D
30" (76 cm)	Blanco	MK1150XJQ	KEBI101D	KEBS107D
27" (69 cm)	Biscuit	MK1157XJT	KEBI101D	KEBS107D
30" (76 cm)	Biscuit	MK1150XJT	KEBI101D	KEBS107D
27" (69 cm)	Acero inoxidable	MK1157XJS	KEBI171D	KEBS177D
30" (76 cm)	Acero inoxidable	MK1150XJS	KEBI101D	KEBS107D

\* Únicamente para los hornos individuales eléctricos autorizados

## Cómo poner el reloj a la hora

Cuando usted enchufe su horno de microondas por primera vez, la pantalla mostrará “:”. Después de una interrupción de suministro de energía eléctrica y en cuanto se restablezca la energía, la pantalla mostrará nuevamente “:”.

**NOTA:** Usted puede cocinar sin poner el reloj a la hora, pero la pantalla mostrará nuevamente “:” después de terminar de cocinar.

### 1. Toque CLOCK SET.

### 2. Toque los botones numerados para la hora del día.

Por ejemplo: Para 7:00, toque “7 0 0”.

### 3. Toque CLOCK SET.

## Cómo utilizar el temporizador de minutos

Su horno de microondas puede usarse como un temporizador de cocina.

### 1. Toque TIMER.

### 2. Toque los botones numerados para el tiempo deseado en horas:minutos.

Por ejemplo: Para 10 minutos, toque “1 0”.

### 3. Toque START (o TIMER) o deje que el temporizador arranque automáticamente después de un breve retraso.

### 4. Al final de la cuenta regresiva:

El temporizador contará hasta cero en forma regresiva luego, la pantalla mostrará “TEMPORIZADOR FINALIZÓ” y se escucharán 5 señales audibles.

**NOTA:** En cualquier momento que desee cancelar el temporizador, toque **TIMER**.

# CÓMO USAR SU HORNO DE MICROONDAS

Esta sección le da las instrucciones para operar cada una de las funciones. Por favor lea estas instrucciones cuidadosamente.

## Cocción a intensidad alta

1. Coloque los alimentos en el horno y cierre la puerta.
2. Toque **COOK TIME**.
3. Toque los botones numerados para el tiempo deseado en horas:minutos.  
Por ejemplo: Para 10 minutos, toque "1 0".
4. Toque **START**.
5. Al final del tiempo de cocción:  
La pantalla mostrará "TERMINAR" y se escucharán tres señales audibles.

## Cocción a distintas intensidades

1. Coloque los alimentos en el horno y cierre la puerta.
2. Toque **COOK TIME**.
3. Toque los botones numerados para el tiempo deseado en horas:minutos.
4. Toque **COOK POWER**.
5. Seleccione el botón numerado para el ajuste deseado de intensidad de cocción.  
(Vea el cuadro a continuación.)
6. Toque **START**.
7. Al final del tiempo de cocción:  
La pantalla mostrará "TERMINAR" y se escucharán tres señales audibles.

Para óptimos resultados, algunas recetas necesitan distintas intensidades de cocción. Cuanto más baja es la intensidad, más lenta es la cocción. Cada nivel representa un porcentaje diferente de intensidad de cocción. Muchas recetas de libros de cocina para microondas le dicen qué intensidad de cocción utilizar por número, porcentaje o nombre.

El siguiente cuadro le da el porcentaje de intensidad de cocción que corresponde a cada nivel y el nombre de la intensidad de cocción generalmente utilizado. También le dice cuándo usar cada intensidad de cocción. Siga las instrucciones de la receta o paquete de alimentos si dispone de ellas.

**NOTA:** Consulte un libro de cocina confiable para los tiempos de cocción.

INTENSIDAD DE COCCIÓN	NOMBRE	CUÁNDO USAR
HI = 100% de intensidad total (automática)	Alta	<ul style="list-style-type: none"><li>● Calentar rápidamente comida comercial preparada y alimentos con alto contenido de agua, como sopas, bebidas y la mayoría de las verduras</li></ul>
90 = 90% de intensidad total		<ul style="list-style-type: none"><li>● Cocinar trozos pequeños y tiernos de carne, carne molida, piezas de pollo, filetes de pescado</li><li>● Calentar sopas cremosas</li></ul>
80 = 80% de intensidad total		<ul style="list-style-type: none"><li>● Calentar arroz, pasta o estofados</li><li>● Cocinar y calentar alimentos que necesitan una intensidad de cocción menor que la alta (por ejemplo, pescado entero y rollo de carne molida)</li></ul>
70 = 70% de intensidad total	Media-Alta	<ul style="list-style-type: none"><li>● Recalentar una porción sola de comida</li></ul>
60 = 60% de intensidad total		<ul style="list-style-type: none"><li>● Cocción de alimentos delicados como comidas a base de queso y huevos, budines y natillas</li><li>● Cocción de platillos que no pueden revolverse, como sería lasaña</li></ul>

# CÓMO USAR SU HORNO DE MICROONDAS

INTENSIDAD DE COCCIÓN	NOMBRE	CUÁNDO USAR
50 = 50% de intensidad total	Media	<ul style="list-style-type: none"><li>● Cocinar jamón, aves enteras y guisados de carne</li><li>● Cocción lenta de estofados</li></ul>
40 = 40% de intensidad total		<ul style="list-style-type: none"><li>● Derretir chocolate</li><li>● Calentar pan, panecillos y pastelitos</li></ul>
30 = 30% de intensidad total	Media-Baja, Descongelar	<ul style="list-style-type: none"><li>● Descongelar alimentos, tales como panes, pescado, carnes, aves y comida precocida</li></ul>
20 = 20% de intensidad total		<ul style="list-style-type: none"><li>● Ablandar mantequilla, queso y helado</li></ul>
10 = 10% de intensidad total	Baja	<ul style="list-style-type: none"><li>● Mantener alimentos calientes</li><li>● Colocar la fruta a temperatura ambiente</li></ul>

## Cómo cocinar con más de un ciclo de cocción

Para óptimos resultados, algunas recetas necesitan una intensidad de cocción por un cierto período de tiempo y otra intensidad de cocción por otro período. Su horno puede ser programado para cambiar de un nivel de intensidad a otro automáticamente, hasta por 3 ciclos más un ciclo de descongelación.

**1. Coloque los alimentos en el horno y cierre la puerta.**

**2. Toque COOK TIME.**

**3. Toque los botones numerados para fijar el tiempo de cocción para el primer ciclo.**

**4. Toque COOK POWER.**

**5. Toque el botón numerado para fijar la intensidad de cocción para el primer ciclo.**

**6. Repita los pasos 2 y 3 para programar el tiempo y la intensidad de cocción para cada ciclo adicional.**

**7. Toque START.**

Una vez que concluye cada ciclo se escucharán dos señales audibles y comenzará la cuenta regresiva para el (los) siguiente(s) ciclo(s).

**8. Al final del tiempo de cocción:**

Sonarán 3 señales audibles y la pantalla mostrará "TERMINAR".

### NOTAS:

- Usted puede programar en cualquier orden las funciones de cocción que desee.
- Usted puede fijar hasta 3 ciclos de cocción más CUSTOM DEFROST (Descongelación personalizada) y Mantener Caliente.
- CUSTOM DEFROST (Descongelación personalizada) funcionará primero.
- Mantener Caliente funcionará al final.
- Las funciones AUTO SENSOR COOK (Cocción automática con sensor) o AUTO SENSOR REHEAT (Recalentamiento automático con sensor) no permiten cocinar con más de un ciclo de cocción.



# CÓMO USAR SU HORNO DE MICROONDAS

## Cómo usar CUSTOM DEFROST (Descongelación personalizada)

Usted puede descongelar alimentos eligiendo una clase y fijando un peso. CUSTOM DEFROST dispone de tiempos y de intensidades de cocción predeterminadas para 6 clases: Carne, Aves, Pescado, Rosca, Panqués y Mantequilla.

### 1. Toque CUSTOM DEFROST.

Una vez para carne, dos veces para aves, tres veces para pescado, cuatro veces para rosca, cinco veces para panqués, seis veces para mantequilla.

### 2. Toque los botones numerados para el peso deseado (0.1 - 6.0 lbs [45g - 2.7 kgs]).

### 3. Toque START.

### 4. Se escucharán 5 señales audibles durante la descongelación.

(para carne, aves y pescado cuando se fija para más de 1 minuto)

Estas señales le indican cuándo se debe revisar, voltear, separar o reacomodar los alimentos. Toque START para encender nuevamente el horno de microondas.

### 5. Al final del tiempo de descongelación:

Aparecerá "TERMINAR" en la pantalla y se escucharán tres señales audibles.

## Cómo usar descongelación manual

### 1. Toque el botón CUSTOM DEFROST 7 veces.

### 2. Toque los botones numerados para fijar el tiempo para la descongelación manual.

A menos que usted la cambie, la intensidad está automáticamente programada al 30 por ciento.

### 3. Toque START.

### 4. Al final de tiempo de descongelación:

La pantalla mostrará "TERMINAR" y 3 tonos audibles sonarán.

## Tabla de conversión de peso

Probablemente usted esté acostumbrado(a) al peso de los alimentos en libras y onzas, que son fracciones de una libra (por ejemplo, 4 onzas equivalen a  $\frac{1}{4}$  libra [113.4 g]).

Si el peso que se muestra en el paquete de los alimentos está expresado en fracciones de una libra, usted puede usar la tabla siguiente para convertir el peso a decimales.

Equivalencia de pesos			
ONZAS	GRAMOS	PESO EN DECIMALES	
1.6	45.4	.10	
3.2	90.7	.20	
4.0	113.4	.25	Un cuarto de libra
4.8	136.1	.30	
6.4	181.4	.40	
8.0	226.8	.50	Media libra
9.6	272.2	.60	
11.2	317.5	.70	
12.0	340.2	.75	Tres cuartos de libra
12.8	362.9	.80	
14.4	408.2	.90	
16.0	453.6	1.00	Una libra

## Consejos para la descongelación

- **Antes de comenzar**, asegúrese de que ha quitado todas las ataduras de alambre revestido que vienen con frecuencia en las bolsas de alimentos congelados y reemplácelas con hilo o bandas elásticas.
- **Abra los recipientes**, como serían las cajas, antes de ponerlos en el horno.
- **Siempre corte** o perforo las bolsas o paquetes de plástico.
- **Si el alimento está envuelto con papel de aluminio**, quite el papel de aluminio y coloque el alimento en un recipiente apropiado.
- **Corte** la piel, si hay alguna, en alimentos congelados tales como salchichas.
- **Doble** las bolsas plásticas con alimentos para asegurar una descongelación pareja.
- **Siempre calcule menos** tiempo de descongelación. Si el alimento está todavía congelado en el centro, vuélvalo a colocar en el horno de microondas para continuar la descongelación.



# CÓMO USAR SU HORNO DE MICROONDAS

- **El tiempo** de descongelación varía según el grado de congelación del alimento.
- **La forma del paquete** altera el tiempo de descongelación. Los paquetes poco profundos se descongelan más rápido que los bloques grandes.
- Separe las piezas **cuando los alimentos empiezan a descongelarse**. Las piezas separadas se descongelan en forma más pareja.
- **Usted puede usar pequeños trozos de papel de aluminio** para proteger los alimentos como alas de pollo, puntas de las piernas de pollo y colas de pescado o algunas otras zonas que pueden empezar a calentarse. Cerciórese de que el papel de aluminio no toque los costados, la parte superior o la parte inferior del horno. El aluminio puede dañar el revestimiento del horno.
- **Para óptimos resultados**, deje reposar los alimentos después de la descongelación. (Para mayor información sobre el tiempo de reposo, vea “Consejos para cocinar con el horno de microondas”).
- **Déle vuelta a los alimentos** durante la descongelación o el período de reposo. Separe los trozos y saque el alimento a medida que sea necesario.

## Cómo utilizar EASY START (Inicio fácil)

EASY START le permite cocinar alimentos durante 30 segundos al 100% de intensidad de cocción o usted puede utilizarlo durante cualquier programación manual para agregar incrementos de 30 segundos.

### NOTAS:

- Cada vez que **toque** el botón de EASY START, ésta agregará 30 segundos de tiempo de cocción hasta 3 minutos; luego agregará 1 minuto hasta un total de 10 minutos.
- Se podrá activar Easy Start únicamente después de cerrar la puerta o después de **tocar** CANCEL/OFF.
- Usted puede utilizar el botón para aumentar el tiempo de cocción durante una programación manual.

### 1. Coloque los alimentos en el horno y cierre la puerta.

### 2. Toque EASY START.

(Cada toque adicional agrega 30 segundos de tiempo de cocción hasta 3 minutos; luego agrega 1 minuto hasta un total de 10 minutos).

### 3. Al final del tiempo de cocción:

Sonarán 3 señales audibles y la pantalla mostrará “TERMINAR”.

## Cómo usar Mantener Caliente

### ⚠ ADVERTENCIA

#### Peligro de Intoxicación Alimentaria

**No deje sus alimentos en el horno por más de una hora antes o después de su cocción.**

**No seguir esta instrucción puede ocasionar intoxicación alimentaria o enfermedad.**

La opción Mantener Caliente conserva calientes en el horno de microondas los alimentos que están cocinados y calientes.

### NOTAS:

- Durante Mantener Caliente todos los alimentos cocinados deberán mantenerse tapados.
- Los productos de repostería (pays, empanadas, etc.) deberán destaparse durante Mantener Caliente.
- Las comidas completas que se deseen mantener calientes en un plato deberán mantenerse tapadas durante Mantener Caliente.
- Nunca use más de un ciclo completo de Mantener Caliente. Si se usa por un tiempo prolongado, la calidad de algunos alimentos puede deteriorarse.
- Mantener Caliente puede usarse conjuntamente con Cocción por Etapas. (Vea “Cómo cocinar con más de un ciclo”.)

### 1. Coloque los alimentos cocinados y que están calientes en el horno y cierre la puerta.

### 2. Toque SPECIALTY FOODS.

“CONSERVAR CALOR” se desplaza en la pantalla, luego “INICIAR” destellará hasta que usted toque START.

### 3. Toque START.

La pantalla mostrará “CONSERVAR”.

### 4. Abra la puerta o toque CANCEL/OFF para cancelar Mantener Caliente.

# COCCIÓN AUTOMÁTICA CON SENSOR

Su horno de microondas dispone de un sensor que detecta la humedad liberada por los alimentos. La humedad detectada le indica al horno qué tanto deben cocinarse o recalentarse sus alimentos. El sensor es utilizado en 3 funciones especiales: AUTO SENSOR COOK (Cocción automática con sensor), AUTO SENSOR REHEAT (Recalentamiento automático con sensor) y AUTO SENSOR POPCORN (Palomitas de maíz mediante sensor automático). En las próximas páginas aparecen las instrucciones sencillas para usar estas funciones.

## NOTAS:

- Si desea cocinar ingresando un tiempo y una intensidad de cocción, vea la sección "Cocción a distintas intensidades".
- El horno deberá estar enchufado cuando menos 5 minutos antes de la cocción con sensor.
- La temperatura ambiente no debe exceder de 95°F (35°C).
- Cerciórese de que tanto el exterior del recipiente para cocinar como el interior del horno estén totalmente secos. Limpie cada uno de ellos con una toalla de papel.
- Al principio del ciclo de cocción con sensor, el horno no generará energía de microondas por 28 segundos.

- Si tapa los alimentos, cerciórese de dejar una abertura lo suficientemente grande para que la humedad se escape y así permitir que el sensor determine el tiempo de cocción o de recalentamiento.

## Cómo utilizar AUTO SENSOR COOK (Cocción automática con sensor)

### Para utilizar AUTO SENSOR COOK:

**1. Coloque los alimentos en el horno y cierre la puerta.**

**2. Toque AUTO SENSOR COOK hasta que la pantalla muestre el alimento deseado.**

Después de un breve retraso, AUTO SENSOR COOK iniciará el funcionamiento automático.

(Vea el Cuadro para cocción automática con sensor.)

## Cuadro para cocción automática con sensor

ALIMENTO	TAMAÑO DE LA PORCIÓN	INSTRUCCIONES
<b>Papas al horno</b>	1 a 4 medianas, de 10 a 13 oz (284 a 369 g) cada una	<ul style="list-style-type: none"> <li>● Trinche con un tenedor cada papa varias veces y colóquelas en la bandeja giratoria, alrededor del borde, separadas entre sí cuando menos 1 pulgada (2.5 cm). Deje reposar las papas 5 minutos para terminar su cocción.</li> </ul>
<b>Verduras congeladas</b>	1 a 4 tazas (250 mL a 1L)	<ul style="list-style-type: none"> <li>● Sáquelas del paquete. Coloque las verduras en un recipiente apropiado para en horno de microondas. Cúbralas con película de plástico y deje un espacio de ventilación.</li> <li>● La mayor parte de las verduras necesitan revolverse y reposar de 2 a 3 minutos después de la cocción.</li> </ul>
<b>Verduras frescas</b>	1 a 4 tazas (250mL a 1L)	<ul style="list-style-type: none"> <li>● Humedezca las verduras y colóquelas en un recipiente apropiado para horno de microondas. Cúbralas con película de plástico y deje un espacio de ventilación.</li> <li>● La mayor parte de las verduras necesitan revolverse y reposar durante unos 2 ó 3 minutos después de la cocción.</li> </ul>
<b>Comidas comerciales congeladas</b>	Se obtienen mejores resultados si la comida pesa de 10 a 20 oz (284 a 567 g).	<ul style="list-style-type: none"> <li>● Sáquelas del paquete exterior. Afloje la cubierta por tres de los lados. Si la comida no está en un recipiente apropiado para horno de microondas, colóquela en un plato, cúbrala con película de plástico y deje un espacio de ventilación.</li> <li>● La mayor parte de las comidas congeladas necesitan reposar durante unos 2 ó 3 minutos después de la cocción.</li> </ul>
<b>Arroz</b>	½ a 2 tazas (125 a 500 mL) de arroz seco (utilice arroz de grano mediano o largo. El arroz instantáneo debe cocinarse según las instrucciones en el paquete.)	<ul style="list-style-type: none"> <li>● Para determinar la cantidad de los ingredientes siga las instrucciones que aparecen en el paquete. Coloque el arroz y el líquido (agua o caldo de pollo o de verduras) en un plato apropiado para horno de microondas. Cúbralo con película de plástico y deje un espacio de ventilación. Cuando se termine la cocción, deje reposar al arroz durante 5 minutos o hasta que absorba todo el líquido. Revuelva el arroz.</li> </ul>

## Cómo utilizar AUTO SENSOR REHEAT

(Recalentamiento automático con sensor)

**1. Coloque los alimentos en el horno y cierre la puerta.**

**2. Toque AUTO SENSOR REHEAT hasta que la pantalla muestre el alimento deseado.**

Después de un breve retraso, AUTO SENSOR REHEAT iniciará el funcionamiento automático.

(Vea el Cuadro para recalentamiento automático con sensor.)

**NOTA:** Al tapar los alimentos cerciórese de dejar una abertura lo suficientemente grande para que la humedad se escape y permita así que el sensor determine el tiempo de cocción o de recalentamiento.

## Cuadro para recalentamiento automático con sensor

ALIMENTO	TAMAÑO DE LA PORCIÓN	INSTRUCCIONES
<b>Plato de mesa</b>	Aprox. 8 a 16 oz (227 a 454 g)	● Coloque el alimento que desea recalentar en un plato de mesa o en un plato parecido. Cúbralo con película de plástico y deje un espacio de ventilación.
<b>Sopa</b>	1 a 4 tazas (250 mL a 1 L)	● Coloque el alimento que se desea recalentar en un recipiente apropiado para horno de microondas. Cúbralo con película de plástico y deje un espacio de ventilación.
<b>Salsa</b>	1 a 4 tazas (250 mL a 1 L)	● Coloque el alimento que se desea recalentar en un recipiente apropiado para horno de microondas. Cúbralo con película de plástico y deje un espacio de ventilación.
<b>Guisado</b>	1 a 4 tazas (250 mL a 1 L)	● Coloque el alimento que se desea recalentar en un recipiente apropiado para horno de microondas. Cúbralo con película de plástico y deje un espacio de ventilación.

## Cómo utilizar AUTO SENSOR POPCORN (palomitas de maíz mediante sensor automático)

AUTO SENSOR POPCORN le permite preparar palomitas de maíz empacadas comercialmente para horno de microondas con un sólo toque.

### NOTAS:

- Cocine solamente un paquete a la vez.
- Siga las instrucciones del fabricante si usa un tostador de palomitas de maíz para horno de microondas.

**1. Coloque la bolsa en el centro de la bandeja giratoria y cierre la puerta.**

**2. Toque AUTO SENSOR POPCORN.**

**NOTA:** Basándose en el tamaño del paquete, el sensor determinará el “tiempo de estallido”.

## Cuadro para palomitas de maíz mediante sensor automático

	TAMAÑO DE LA PORCIÓN	INSTRUCCIONES
<b>Palomitas de maíz</b>	3.5 oz (99 g) 3.0 oz (85 g) 1.75 oz (50 g)	<ul style="list-style-type: none"> <li>● Siga las indicaciones del paquete.</li> <li>● Use un paquete de palomitas de maíz preparado especialmente para cocción en horno de microondas.</li> <li>● No intente estallar granos que no han reventado.</li> <li>● Cocine solamente un paquete a la vez.</li> <li>● Mientras se estén cocinando las palomitas de maíz no deje el horno desatendido.</li> <li>● Siga las instrucciones del fabricante si usa un tostador de palomitas de maíz para horno de microondas.</li> <li>● El resultado obtenido dependerá de la marca de las palomitas de maíz y del contenido de grasa. Pruebe con varias marcas para decidir cuál es la que se cocina mejor. Use siempre bolsas frescas de palomitas de maíz para obtener óptimos resultados.</li> </ul>

# COCCIÓN POR CONVECCIÓN Y COMBINADA

## Cocción por convección personalizada

**Para precalentar el horno para la cocción por convección, siga los pasos del 1 al 3, que se indican a continuación.**

**Para cocinar por convección sin precalentar, omita el paso 3 indicado a continuación.**

**NOTA:** Para obtener óptimos resultados muchas recetas requieren un precalentamiento del horno antes de comenzar a cocinar. Utilice utensilios para cocinar que no se derritan o queman en el horno caliente. No use recipientes de plástico ligeros, envolturas de plástico o productos de papel durante ningún ciclo de combinación o de convección.

### 1. Toque **CONVECT**.

### 2. Toque los botones numerados para la temperatura deseada.

(Si su receta no requiere precalentamiento, prosiga al paso 4.)

### 3. Toque **START** para precalentar el horno.

Sonarán dos tonos audibles cuando el horno haya llegado a la temperatura de precalentamiento.

### 4. Coloque los alimentos en utensilios apropiados sobre la Rejilla de Convección.

### 5. Toque los botones numerados para ingresar el tiempo de cocción en horas:minutos.

Por ejemplo: Para 1 hora, toque "1 0 0".

### 6. Toque **START**.

**NOTA:** No es necesario precalentar el horno a menos que su receta lo requiera.

## Cuadro de las temperaturas de precalentamiento

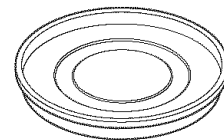
Los ajustes recomendados de temperatura pueden variar. Consulte su receta culinaria para ver los ajustes de temperatura recomendados.

ALIMENTO	TEMP
Galletas	325°F (163°C)
Panes, Pastelitos de chocolate	350°F (177°C)
Bisquets-refrigerados, Pays frescos	375°F (191°C)
Pizza-fresca, Pays congelados	400°F (204°C)
Panqués, Filetes de pescado	425°F (218°C)
Bisquets frescos	450°F (232°C)

## Consejos útiles para la cocción por convección

- Para obtener óptimos resultados, coloque los alimentos en la Rejilla de Convección.
- No cubra la bandeja giratoria o la Rejilla de Convección con papel de aluminio. Esto interfiere con el flujo del aire que cocina los alimentos.
- Los moldes redondos para pizzas son excelentes utensilios de cocina para muchos artículos que sólo pueden prepararse por convección. Elija los moldes que no tengan asas extendidas.
- Emplee la cocción por convección para artículos como suflés, panes, galletitas, pastel de ángel, pizza y la mayoría de carnes y pescado.
- No tiene que usar técnica especial alguna para adaptar sus recetas favoritas de horneado a la cocción por convección. Sin embargo, quizás necesite disminuir algunas temperaturas o reducir algunos tiempos de cocción de las instrucciones de cocción en el horno por convección.
- Cuando hornee tortas, galletitas, panes, bolillos u otro tipo de alimentos horneados, la mayoría de recetas exigen el precalentamiento. Precaliente el horno vacío tal como lo hace con un horno regular. Usted puede empezar a hornear alimentos densos tales como carnes, guisados y pollo sin precalentar.
- En la cocción por convección se pueden usar todas las vajillas refractarias o utensilios de metal.
- Use utensilios de metal sólo para la cocción por convección. Nunca use para cocción en microondas o de combinación ya que puede dar lugar a la producción de chispas o dañar el horno.
- Después de precalentar, si usted no abre la puerta, el horno mantendrá automáticamente la temperatura precalentada durante 30 minutos.

## Cómo usar el platón de goteo



**NOTA:** Le recomendamos que coloque el Platón de goteo (Pieza No. 8172250) debajo de la rejilla para cualquier cocción por convección, combinada o para asar alimentos que goteen grasa como hamburguesas o filetes de res.

## Fermentación de pan

Usted puede usar su horno de microondas para fermentar el pan.

### Primera fermentación:

Coloque la masa en un tazón ligeramente engrasado y tápelo de manera holgada con papel encerado engrasado con manteca vegetal.

**1. Coloque un recipiente en el horno y llénelo con 2 tazas (500mL) de agua hirviendo. Coloque el tazón sobre la Rejilla de Convección. Cierre la puerta del horno.**

**2. Toque CONVECT.**

**3. Toque los botones numerados a 100°F (38°C).**

**4. Toque START.**

Dos tonos audibles sonarán cuando el horno esté precalentado.

**NOTA:** Deje que la masa se levante hasta que duplique su tamaño original. El tiempo de fermentación puede ser menor y varía dependiendo del tipo y cantidad de la masa. Revise la masa después de 20 ó 25 minutos.

**5. Cuando la fermentación esté terminada, saque el tazón que contiene la masa de pan del horno. Vacíe el agua del recipiente.**

### Segunda fermentación:

Déle forma a la masa y colóquela en molde(s) para hornear. Tape de manera holgada con envoltura de plástico rociada con aceite en aerosol. Coloque el recipiente en el horno y llénelo con 2 tazas (500 mL) de agua hirviendo. Coloque los moldes sobre la Rejilla de Convección. Cierre la puerta del horno. Siga los pasos 2 a 5 descritos en “Primera fermentación”. Cuando termine la fermentación, saque la masa de pan del horno y también el recipiente que contiene agua. Vuelva a programar el horno para precalentar para hornear pan. Antes de hornear, quite la envoltura de plástico de la masa de pan. Vea la sección “Cuadro de Convección automática” y siga las instrucciones.

## Cocción combinada personalizada

**1. Coloque los alimentos sobre la Rejilla de Convección y cierre la puerta.**

**2. Toque COMBI.**

**3. Toque los botones numerados para la temperatura deseada.**

**4. Toque los botones numerados para fijar el tiempo de cocción en horas:minutos.**

Por ejemplo: Para 1 hora, toque “1 0 0”.

**5. Toque START.**

Cuando termine el tiempo de cocción, la pantalla mostrará “TERMINAR” y 3 tonos audibles sonarán.

Después de cocinar y cuando abra la puerta del horno, la pantalla regresará a la hora del día.

## Consejos útiles para la cocción combinada

- Las carnes pueden asarse directamente en la Rejilla de Convección.
- Los cortes de carne menos suaves pueden asarse y ablandarse usando bolsas para cocción en el horno.
- Al terminar el tiempo de cocción, verifique si está bien cocido. Si no lo está completamente, déjelo en el horno unos minutos para completar la cocción.

**NOTA:** Durante la cocción combinada, algunos utensilios de cocina pueden producir chispas al entrar en contacto con las paredes del horno o la Rejilla de Convección de metal. La producción de chispas es una descarga de electricidad que ocurre cuando las microondas entran en contacto con el metal. Si se producen chispas, coloque una vajilla refractaria entre el recipiente de hornear y la Rejilla de Convección. Si la producción de chispas ocurre con otros utensilios de cocina, deje de usarlos para la cocción combinada.

# COCCIÓN POR CONVECCIÓN Y COMBINADA

## Cocción personalizada de asado

**1. Coloque los alimentos en la parrilla para asar y cierre la puerta.**

**2. Toque BROIL.**

**3. Fije el tiempo para asar en horas:minutos.**

Por ejemplo: Para 1 hora, toque "1 0 0".

**4. Toque START.**

Al concluir el tiempo de cocción del asado, la pantalla mostrará "TERMINAR" y 3 señales audibles se escucharán.

Luego de cocinar, la pantalla regresará a la hora del día cuando usted abra la puerta.

## Consejos útiles para asar

- Los alimentos apropiados para asar deben ser suaves, moderadamente sin grasa y de un espesor menor de 2 pulgadas. Los trozos de pescado, pechugas de pollo y hamburguesas son ideales para asar.
- Utilice siempre la Parrilla para asar colocando debajo el platón de goteo para recoger los jugos o grasa.
- Para un dorado uniforme, voltee los alimentos cuando estén a la mitad del tiempo de cocción.
- No deje la puerta abierta durante mucho tiempo cuando esté usando el elemento para asar. Esto ocasionará que la temperatura del horno baje y podría afectar el rendimiento de la cocción.

## Cocción automática por convección

Usted puede cocinar automáticamente una amplia selección de alimentos solamente tocando uno de los 6 botones de Convección Automática: Meat (Carne), Poultry (Aves), Fish (Pescado), Baked Goods (Productos horneados), Specialty Foods (Alimentos especiales), Other Foods (Otros alimentos).

Vea la sección "Cuadro de Convección Automática" y siga las instrucciones.

En recetas de Convección Automática para productos horneados, botanas, otros alimentos y alimentos congelados específicos, simplemente seleccione la categoría del alimento y toque START.

La recetas de Convección Automática para la cocción de carnes, aves y pescado fresco le pedirán que indique la cantidad a fin de proporcionar óptimos resultados de cocción.

Usted puede seleccionar el grado de cocción que desee para sus carnes (Poco cocido, Poco cocido/medio, Medio, Medio/Bien cocido, Bien cocido), tocando los botones numerados. Estas recetas se cocinarán a término Medio si usted no regula el nivel de cocción.

Si usted lo desea, puede regular el tiempo y temperatura recomendados de las recetas de Convección Automática durante la cocción tocando los botones numerados. Luego toque START.

## Convección Automática (Sin precalentamiento)

**1. Coloque los alimentos sobre la Rejilla de Convección y cierre la puerta.**

**2. Toque los botones apropiados de Convección automática hasta que aparezca el alimento deseado.**

**3. Toque START.**

Cuando termine el tiempo de cocción, la pantalla mostrará "TERMINAR" y 3 tonos audibles sonarán. Después de cocinar y cuando abra la puerta del horno, la pantalla regresará a la hora del día.



# COCCIÓN POR CONVECCIÓN Y COMBINADA

## Convección Automática (Pre calentamiento)

Algunos hornos por Convección Automática le indicarán que precaliente el horno antes de colocar los alimentos en el horno.

### Cuadro de pre calentamiento

CATEGORÍA	ALIMENTO	TEMP DE PRECALENTAMIENTO
Aves	Pollo, Empanizado-congelado	375°F (191°C)
Pescado	Filetes de pescado, frescos	425°F (218°C)
	Filetes de pescado empanizados – congelados	400°F (204°C)
	Barritas de pescado empanizadas – congeladas	400°F (204°C)
Productos horneados	Galletas	325°F (163°C)
	Pastelitos de chocolate	350°F (177°C)
	Panqués	425°F (218°C)
	Bisquets, frescos	450°F (232°C)
	Bisquets, refrigerados	375°F (191°C)
	Panes a base de levadura	350°F (177°C)
	Panes sin levadura	350°F (177°C)
	Pay, fresco	375°F (191°C)
	Pay, congelado	400°F (204°C)
Alimentos Especiales	Quiche	325°F (163°C)
	Suflé	350°F (177°C)
	Pastel de ángel	350°F (177°C)
Otros alimentos	Pizza, fresca	400°F (204°C)
	Pay de carne, congelado	400°F (204°C)

**1. Toque los botones apropiados de Convección automática hasta que aparezca el alimento deseado.**

**2. Toque START. La pantalla mostrará “Pre calentamiento”.**

**3. Una vez que el horno llegue a la temperatura de pre calentamiento, sonará un tono audible y aparecerá en la pantalla “Poner al horno”.**

**4. Abra la puerta, coloque los alimentos sobre la Rejilla de Convección, y cierre la puerta. Toque START.**

Cuando termine el tiempo de cocción, la pantalla mostrará “TERMINAR” y 3 tonos audibles sonarán.

Después de cocinar y cuando abra la puerta del horno, la pantalla regresará a la hora del día.

### Cuadro de Convección Automática

PRODUCTOS HORNEADOS	ALIMENTOS ESPECIALES	OTROS ALIMENTOS
Galletas	Mantener caliente	Pizza-congelada
Pastelitos de chocolate	Gallinitas cornish	Pizza-fresca
Panqués	Chuletas de cordero	Lasaña
Bisquets-frescos	Cabobs (pinchos)	Guisado de pasta
Bisquets-refrigerados	Quiche	Guisado de verduras
Panes a base de levadura	Suflé	Guisado de papa
Panes sin levadura	Pastel de ángel	Pay de carne-congelado
Pay-fresco		
Pay-congelado		

### Carne

**1. Toque el botón MEAT hasta que el alimento deseado aparezca.**

(Vea el cuadro de Carne.)

**2. Seleccione la cantidad de la porción.**

Toque los botones numerados para ingresar el peso para asado de res, enrollado de carne molida, asado de cerdo o jamón.

Toque los botones numerados para ingresar el espesor de bistecs, hamburguesas o chuletas de cerdo.

**3. Toque los botones numerados para seleccionar el grado de cocción deseado.**

(Vea el cuadro a continuación.)

**4. Toque START.**

Cuando termine el tiempo de cocción, la pantalla mostrará “TERMINAR” y 3 tonos audibles sonarán.

Después de cocinar y cuando abra la puerta del horno, la pantalla regresará a la hora del día.

# COCCIÓN POR CONVECCIÓN Y COMBINADA

## Cuadro de carne

CARNE	CANTIDADES DE PORCIONES	ELECCIÓN DE TÉRMINOS DE COCCIÓN
Rosbif*	2 a 5 libras (.9 - 2.3 kg)	Poco cocido, Poco cocido/Medio, Medio, Medio/Bien cocido, Bien cocido
Bistec	½ a 1½ pulg (12.7 - 38 mm)	Poco cocido, Poco cocido/Medio, Medio, Medio/Bien cocido, Bien cocido
Hamburguesas	½ a 1 pulg (12.7 - 25.4 mm)	No disponible
Rollo de carne	1 a 2 libras (.5 - .9 kg)	No disponible
Asado de cerdo*	2 a 5 libras (.9 - 2.3 kg)	Medio, Medio/Bien cocido, Bien cocido
Chuletas de cerdo	½ a 1 pulg (12.7 - 25.4 mm)	Medio, Medio/Bien cocido, Bien cocido
Jamón sin hueso*	2 a 5 libras (.9 - 2.3 kg)	Medio, Medio/Bien cocido, Bien cocido
Jamón con hueso*	2 a 5 libras (.9 - 2.3 kg)	Medio, Medio/Bien cocido, Bien cocido

\*Después de cocinar los alimentos, déjelos en reposo durante 10 minutos, tapados con papel de aluminio para alcanzar el nivel de cocción deseado.

## Aves o pescado

### 1. Toque el botón POULTRY o FISH hasta que aparezca el alimento deseado.

(Vea los cuadros a continuación.)

### 2. Seleccione la cantidad de la porción.

Toque los botones numerados para ingresar el peso para pollo o pavo, filetes de pescado o trozos de pescado.

(Vea los cuadros a continuación.)

### 3. Toque START.

Cuando termine el tiempo de cocción, la pantalla mostrará "TERMINAR" y 3 tonos audibles sonarán.

Después de cocinar y cuando abra la puerta del horno, la pantalla regresará a la hora del día.

## Cuadro de Aves

AVES	CANTIDADES DE PORCIONES
Pollo congelado empanizado	N/D
Pollo sin hueso	.5 a 2 libras (.2 - .9 kg)
Pollo con hueso	.5 a 3.5 libras (.2 - 1.6 kg)
Pollo- entero*	2 a 6 libras (.9 - 2.7 kg)
Pechuga de pavo sin hueso*	2 a 4 libras (.9 - 1.8 kg)
Pechuga de pavo con hueso*	3 a 6 libras (1.4 - 2.7 kg)

\*Después de cocinar los alimentos, déjelos en reposo durante 10 minutos, tapados con papel de aluminio para alcanzar el nivel de cocción deseado.

## Cuadro de Pescado

PESCADO	CANTIDADES DE PORCIONES
Filetes de pescado- fresco	.3 a 1.5 libras (.1 - .7 kg)
Trozos de pescado- fresco	.5 a 2 libras (.2 - .9 kg)
Filetes de pescado- congelados	N/D
Filetes de pescado empanizados-congelados	N/D
Barritas de pescado empanizadas-congeladas	N/D



# EL CUIDADO DE SU HORNO DE MICROONDAS

Para asegurarse de que su horno de microondas luzca bien y funcione bien por mucho tiempo, usted debe mantenerlo adecuadamente. Para un cuidado correcto, por favor siga estas instrucciones cuidadosamente.

**Su horno de microondas** tiene un interior de acero inoxidable. A diferencia de los interiores de acero pintados que se encuentran en la mayoría de hornos de microondas, esta superficie no se desportillará, enmohecerá ni oxidará. Con el tiempo, pueden aparecer manchas en la superficie de acero inoxidable a raíz de salpicaduras de los alimentos durante la cocción. Esto es normal.

**No use** estropajos de metal en el interior de la cavidad del horno ya que rayarán la superficie.

**Para superficies internas:** Lave a menudo con agua tibia jabonosa y una esponja o paño suave. **Use** sólo jabones suaves, no abrasivos o detergentes suaves. **Asegúrese de mantener limpias las áreas donde la puerta y el marco del horno se tocan cuando éste está cerrado.** Limpie bien con agua limpia. Después de un tiempo pueden aparecer manchas sobre las superficies como resultado de salpicaduras de partículas de alimentos durante la cocción. Esto es normal.

Para manchas difíciles, **hierva** una taza (250 mL) de agua en el horno durante 2 ó 3 minutos. El vapor ablandará la suciedad. Para eliminar olores dentro del horno, **hierva** 1 taza (250 mL) de agua con jugo de limón o vinagre.

**Para superficies externas y el panel de control:** Use un paño suave con limpiador de vidrios en aerosol. Aplique el limpiador de vidrios en aerosol sobre el paño suave; no rocíe directamente sobre el horno.

**NOTA: Limpiadores abrasivos, esponjas de fibra de acero, esponjas ásperas, algunas toallas de papel, etc.,** pueden dañar el panel de control y las superficies internas y externas del horno.

**Para las superficies de acero inoxidable:**

- **No use** almohadillas de lana de acero ni estropajos con jabón.
- **Frote** en la dirección de la textura para evitar estropear la superficie.
- **Seque siempre** para evitar las marcas del agua.
- Si se utilizan productos de limpieza comerciales, hay que seguir las instrucciones de la etiqueta. Si el producto contiene cloro (blanqueador), limpie meticulosamente con agua limpia y seque con un paño suave que no tenga pelusas. El cloro es una sustancia corrosiva.

**Para limpiar la bandeja giratoria y el soporte de la bandeja giratoria,** lave con una solución jabonosa suave; para áreas muy sucias **use** un limpiador suave y una esponja para fregar. La bandeja giratoria y el soporte de la bandeja giratoria se pueden lavar en una lavavajillas.

**Para limpiar la Rejilla de convección y la parrilla para asar,** lávelas en agua tibia jabonosa; para áreas muy sucias use un limpiador suave y una esponja para fregar. La rejilla puede lavarse en la lavavajillas. Quite la rejilla del horno cuando no se esté usando para cocinar.

TAREA DE LIMPIEZA	QUÉ UTILIZAR	CÓMO LIMPIAR
Limpieza de rutina y huellas digitales	Detergente/jabón líquido y agua, o producto de limpieza de todo uso	Limpie con un paño húmedo o una esponja, luego lave con agua limpia y seque.
Manchas rebeldes y residuos de la cocción	Producto de limpieza ligeramente abrasivo o productos para limpiar acero inoxidable	Para evitar estropear la superficie, frote en dirección de la textura con un paño suave o una esponja y un producto de limpieza. Lave meticulosamente con agua limpia. Repita el procedimiento de ser necesario.
Manchas del agua dura	Vinagre	Refriegue con estropajo o limpie con un paño. Lave con agua limpia y seque.

# PREGUNTAS Y RESPUESTAS

PREGUNTAS	RESPUESTAS
¿Puedo operar mi horno de microondas sin la bandeja giratoria o voltear la bandeja giratoria para acomodar un plato más grande?	No. Si usted saca o da vuelta a la bandeja giratoria, la cocción resultará inadecuada. Los platos usados en su horno deben caber en la bandeja giratoria.
¿Puedo usar un estante en mi horno de microondas para recalentar o cocinar en dos niveles al mismo tiempo?	Usted puede usar una rejilla sólo si la misma vino con su horno de microondas. Si usa cualquier rejilla no provista con el horno de microondas, la cocción puede resultar inadecuada y/o se pueden producir chispas.
¿Puedo usar bandejas de metal o aluminio en mi horno de microondas?	Usted puede usar papel de aluminio para protección (use trozos pequeños y planos), brochetas pequeñas y bandejas planas de aluminio (si la bandeja tiene una profundidad no mayor de ¼ pulg [19 mm] y está a medio llenar con alimentos para absorber la energía de microondas). Nunca deje que el metal toque las paredes o la puerta. Vea la sección “Guía de utensilios para el horno”.
¿Es normal que la bandeja giratoria gire en ambas direcciones?	Sí. La bandeja giratoria rota en el mismo sentido de las agujas del reloj o en sentido inverso, dependiendo de la rotación del motor cuando comienza el ciclo de cocción comienza.
A veces la puerta de mi microondas parece ondulada. ¿Es esto normal?	Esta apariencia es normal y no afecta la operación de su horno.
¿Qué son los zumbidos que escucho cuando el horno de microondas está funcionando?	Usted escucha el sonido del transformador cuando el tubo del magnetrón comienza los ciclos.
¿Por qué el plato se calienta cuando cocino alimentos en él? Yo creí que esto no pasaría.	Cuando los alimentos se calientan, éstos transfieren el calor al plato. Prepárese para usar guantes para horno para sacar los alimentos después de la cocción.
¿Qué significa “Tiempo de reposo”?	“Tiempo de reposo” significa que los alimentos deben de ser sacados del horno y quedar tapados por un tiempo adicional para permitir que la cocción se complete. Esto libera el horno para cocinar otras cosas.
¿Por qué sale vapor de la rejilla de ventilación?	El vapor se produce normalmente durante la cocción. El horno de microondas ha sido diseñado para ventilar el vapor por las rejillas.
¿Puedo hacer palomitas de maíz en mi horno de microondas? ¿Cómo obtengo los mejores resultados?	Sí. Haga palomitas de maíz empaquetadas siguiendo las instrucciones del fabricante o use el botón preprogramado AUTO SENSOR POPCORN. No use bolsas de papel común. Use la “prueba de sonido” parando el horno en cuanto los estallidos sean más espaciados hasta que haya un estallido cada uno o dos segundos. No haga estallar granos de maíz que no han reventado. No haga palomitas de maíz en utensilios de vidrio.

# DIAGNÓSTICO Y SOLUCIÓN DE PROBLEMAS

La mayoría de los problemas al cocinar son causados por pequeñas cosas que usted puede encontrar y arreglar sin herramientas de ningún tipo. Revise las listas de abajo antes de pedir ayuda o servicio. Si usted aún necesita ayuda, vea la sección “Cómo pedir ayuda o servicio”.

## Si el horno de microondas no funciona, primero verifique lo siguiente:

- ¿Está el horno de microondas enchufado a un tomacorriente activo con el voltaje apropiado? (Vea Instrucciones para la instalación).
- ¿Se ha quemado algún fusible en la casa o se ha disparado el disyuntor?
- ¿Ha habido una interrupción en el suministro de electricidad?

## Otros problemas posibles y sus causas:

Problema	Causa
<b>El horno de microondas no funciona.</b>	<ul style="list-style-type: none"><li>● La puerta no está correctamente cerrada o asegurada.</li><li>● Usted no tocó START.</li><li>● Usted no siguió las instrucciones con exactitud.</li><li>● Alguna operación que se programó con anterioridad todavía está activa.</li><li>● Usted no ha programado el tiempo después de tocar el botón COOK TIME.</li></ul>
<b>Los tiempos de cocción con microondas parecen demasiado largos.</b>	<ul style="list-style-type: none"><li>● El suministro de electricidad en su casa o en los tomacorrientes es bajo o más bajo que lo normal. Su compañía de electricidad le puede decir si el voltaje de la línea es bajo. Su electricista o técnico de servicio le puede decir si el voltaje del tomacorriente es bajo.</li><li>● La intensidad de cocción no está programada correctamente.</li><li>● Cantidades más grandes de alimentos necesitan más tiempo para cocinarse.</li></ul>
<b>La bandeja giratoria no gira.</b>	<ul style="list-style-type: none"><li>● La bandeja giratoria no está en el lugar correcto. Asegúrese de que el lado correcto de la bandeja giratoria esté hacia arriba y que esté asegurada en el eje central.</li><li>● El soporte no está funcionando correctamente. Saque la bandeja giratoria, verifique si el soporte de la bandeja giratoria está en el lugar correcto y ponga a funcionar el horno nuevamente. Si el soporte de la bandeja no se mueve, llame a un técnico designado para que lo repare. Si cocina sin la bandeja los resultados serán inadecuados.</li></ul>
<b>La pantalla muestra la cuenta regresiva pero el horno no está cocinando.</b>	<ul style="list-style-type: none"><li>● La puerta del horno no está completamente cerrada.</li><li>● Usted programó los controles como temporizador. Toque TIMER para cancelar el temporizador de minutos.</li></ul>
<b>Usted no escucha el sonido de programación.</b>	<ul style="list-style-type: none"><li>● El comando no es correcto.</li></ul>
<b>El ventilador parece funcionar más lento de lo normal.</b>	<ul style="list-style-type: none"><li>● El horno ha sido guardado en un lugar frío. El ventilador funcionará más lentamente hasta que el horno se caliente a la temperatura ambiente normal.</li></ul>
<b>La pantalla muestra “:”.</b>	<ul style="list-style-type: none"><li>● Ha habido una interrupción en el suministro de electricidad. Vuelva a programar el reloj.</li></ul>

Si ninguno de estos puntos es la causa del problema, vea la sección “Cómo pedir ayuda o servicio”.

# CÓMO PEDIR AYUDA O SERVICIO

Para evitar visitas de servicio innecesarias, por favor revise la sección "Diagnóstico y solución de problemas". Esto puede ahorrarle el costo de una visita de servicio. Siga las instrucciones que aparecen a continuación si considera que aún necesita ayuda.

## Si usted necesita ayuda o servicio

**Llame al Centro de Interacción del Cliente  
KitchenAid al número sin cargo  
1-800-422-1230.**



Cuando nos llame:  
Por favor, proporcione a KitchenAid los números de modelo y de serie

completos de su aparato electrodoméstico y la fecha de compra (vea la sección "Un mensaje para usted"). Esta información nos ayudará a responder correctamente a su pedido.

### **Nuestros consultores pueden ayudar con:**

- Información acerca de las características y especificaciones de nuestra gama de productos completa
- Información acerca de la instalación
- Venta de accesorios y piezas para reparaciones

- Ayuda especializada a nuestros clientes hispanohablantes, personas que tienen algún impedimento auditivo o de la vista, etc.)
- Referencias a distribuidores, compañías de servicio y distribuidores de piezas de repuesto locales

**Los técnicos designados de servicio KitchenAid** están entrenados para cumplir con la garantía del producto y brindar servicio después del vencimiento de la garantía en cualquier sitio de los Estados Unidos.

Para ubicar la compañía de servicio KitchenAid designada en su área, puede usted consultar la sección de Páginas Amarillas de su directorio telefónico.

## Si requiere más ayuda

Si usted requiere ayuda adicional, puede consultar sus dudas o inquietudes a KitchenAid, escribiéndonos a:

KitchenAid Brand Home Appliances  
Customer Interaction Center  
c/o Correspondence Dept.  
MD 8020  
553 Benson Road  
Benton Harbor, MI 49022-2400

Sírvase incluir en su correspondencia un número telefónico al que le podamos llamar durante el día.







# GARANTÍA HORNO DE MICROONDAS

VALIDEZ DE LA GARANTÍA	KITCHENAID PAGARÁ POR:	KITCHENAID NO PAGARÁ POR:
<b>GARANTÍA TOTAL POR UN AÑO</b> DESDE LA FECHA DE COMPRA	Repuestos y trabajo para corregir defectos de material o mano de obra. El servicio debe ser provisto por una compañía de servicio designada por KitchenAid.	<b>A. Visitas de servicio para:</b> <ol style="list-style-type: none"> <li>1. Corregir la instalación de su horno de microondas.</li> <li>2. Darle instrucciones para usar su horno de microondas.</li> <li>3. Reemplazar fusibles en su casa o corregir la instalación eléctrica.</li> </ol>
<b>GARANTÍA LIMITADA POR CUATRO AÑOS</b> DESDE EL SEGUNDO AÑO HASTA EL QUINTO AÑO DESDE LA FECHA DE COMPRA	Reemplazo del tubo del magnetrón si hay defectos en los materiales o mano de obra.	<b>B. Reparaciones cuando el horno de microondas no se usa de una forma normal y para uso de una sola familia.</b> <b>C. Daños a su horno de microondas causados por accidente, alteración, mal uso, abuso, incendio, inundación, catástrofes naturales o uso de productos no autorizados por KitchenAid.</b> <b>D. Cualquier costo de mano de obra durante la garantía limitada.</b> <b>E. Repuestos o gastos de mano de obra para unidades utilizadas fuera de los Estados Unidos.</b> <b>F. Servicio a domicilio.</b> Su horno de microondas debe ser llevado a una compañía de servicio designada por KitchenAid, exceptuando los hornos de microondas que están instalados sobre horno KitchenAid aprobado utilizando un juego para empotrar aprobado. (Vea la sección "Juegos de accesorios para empotrar" para consultar la lista de juegos de accesorios para empotrar autorizados.) <b>G. Reparaciones a piezas o sistemas causadas por modificaciones hechas al aparato electrodoméstico sin autorización.</b>

5/00

**KITCHENAID NO SE HARÁ RESPONSABLE POR DAÑOS IMPREVISTOS O CONSECUENCIALES.** En algunos estados no se permite la exclusión o limitación de daños imprevistos o consecuenciales, por lo cual esta exclusión o limitación podría no ser aplicable en su caso. Esta garantía le da derechos legales específicos y usted puede tener otros derechos que varían de un estado a otro.

**Esta garantía no se aplica fuera de los 50 Estados Unidos. Para determinar si otra garantía es aplicable en su caso, por favor contacte a su distribuidor KitchenAid autorizado.**

Si usted necesita servicio, primero vea la sección "Diagnóstico y solución de problemas" en este libro. Luego de verificar "Diagnóstico y solución de problemas", usted puede encontrar ayuda adicional en la sección "Cómo pedir ayuda o servicio" o llamando a nuestro Centro de Interacción del Cliente al **1-800-422-1230** desde cualquier parte de los Estados Unidos.